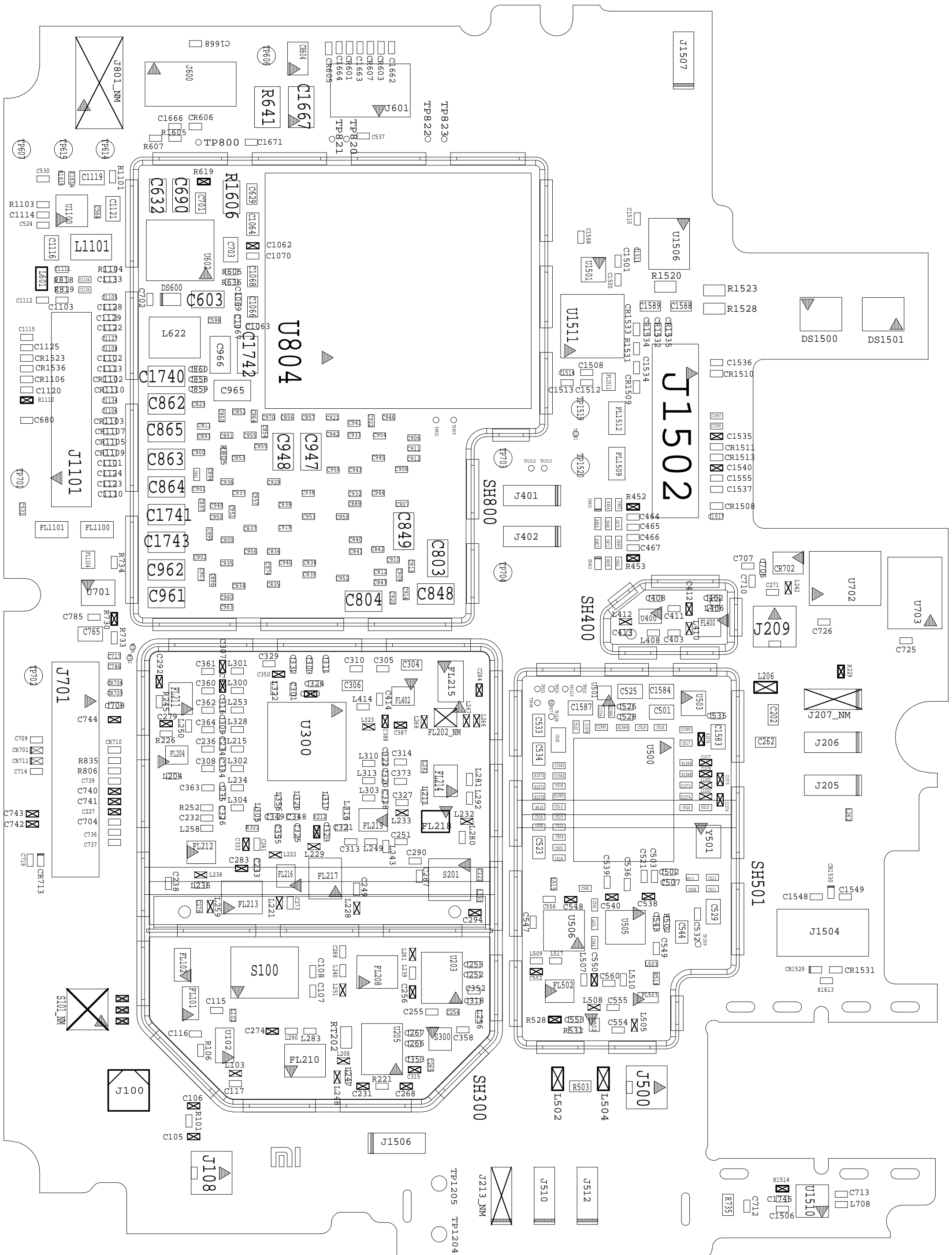
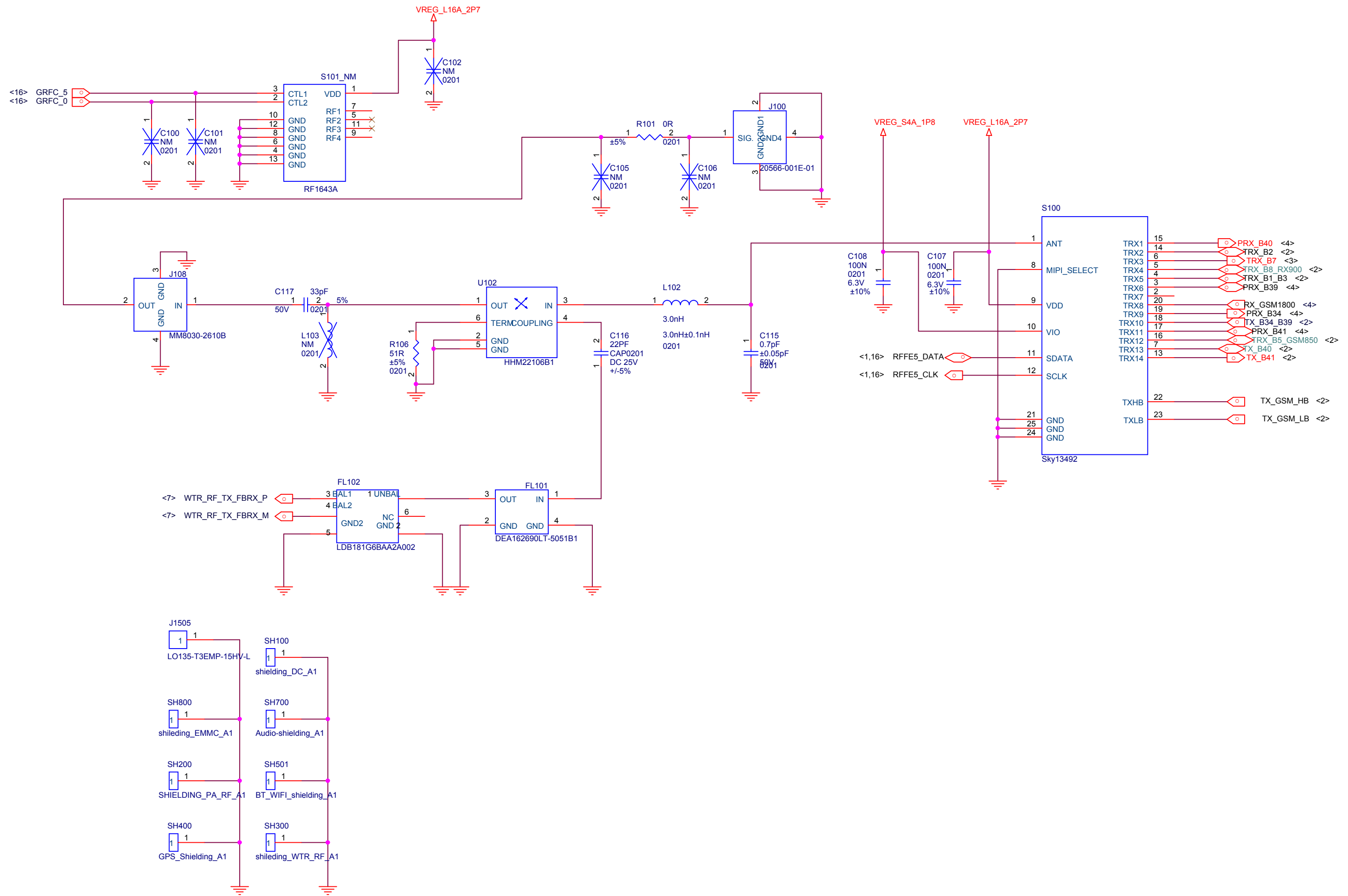


VIETMOBILE. VN

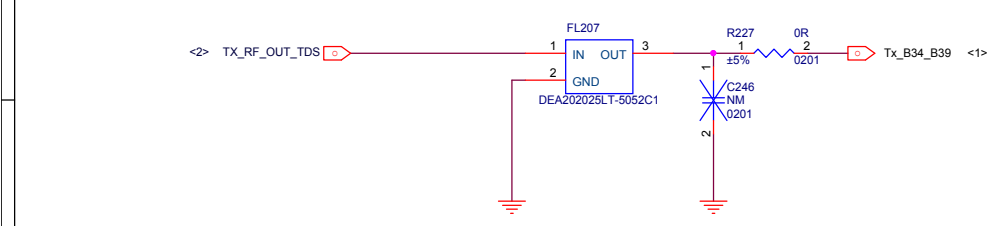
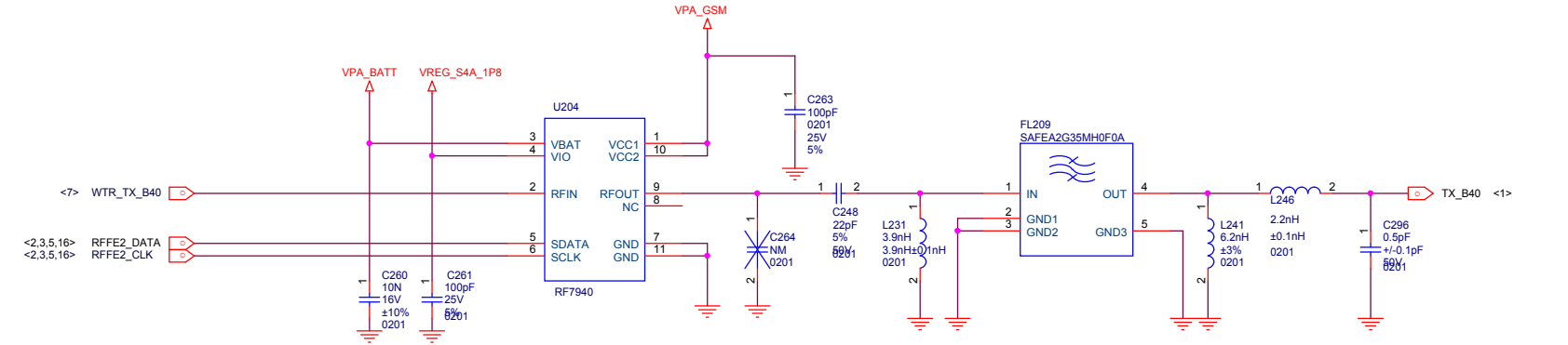
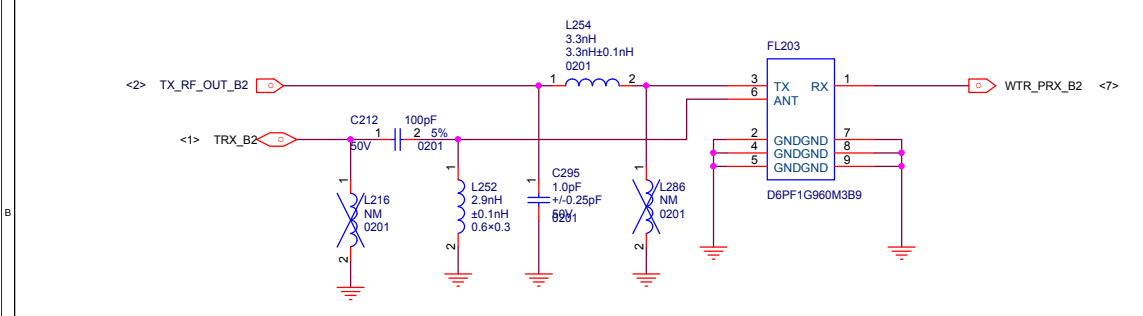
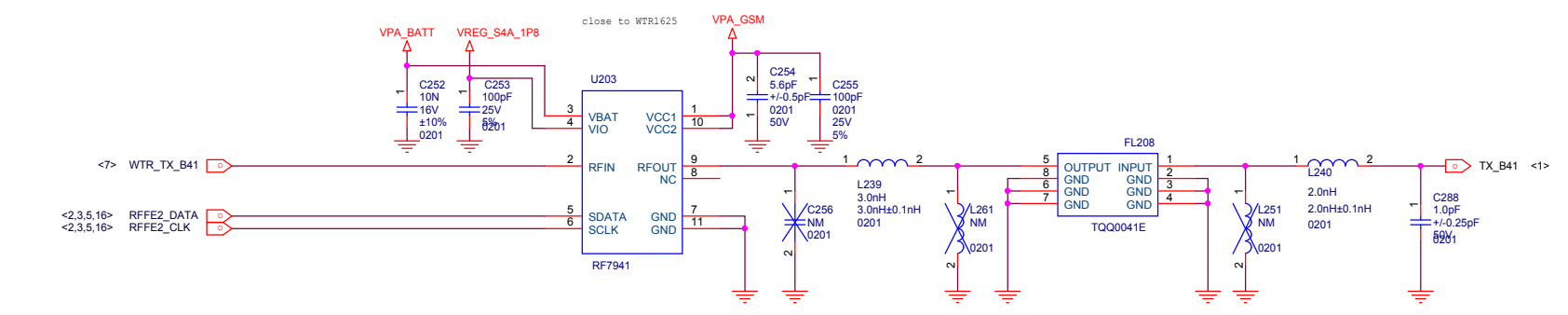
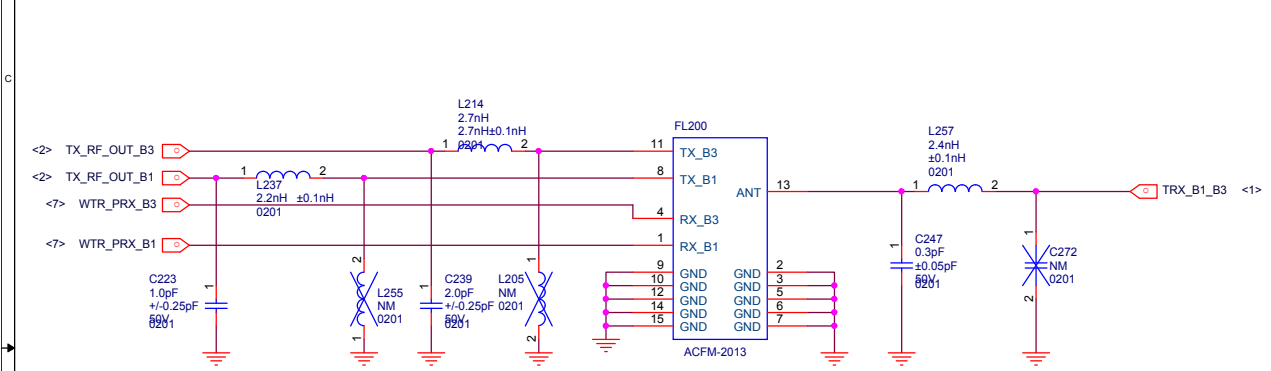
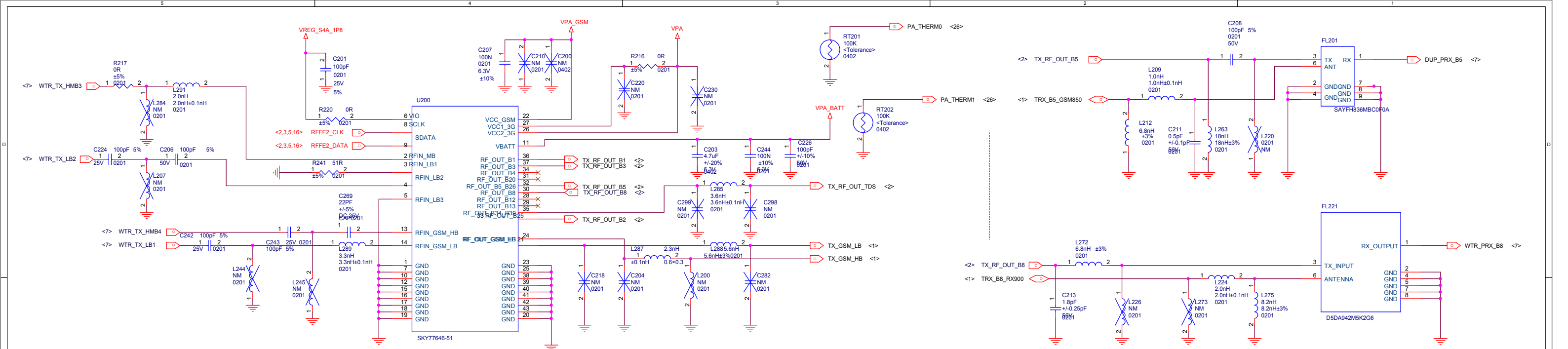


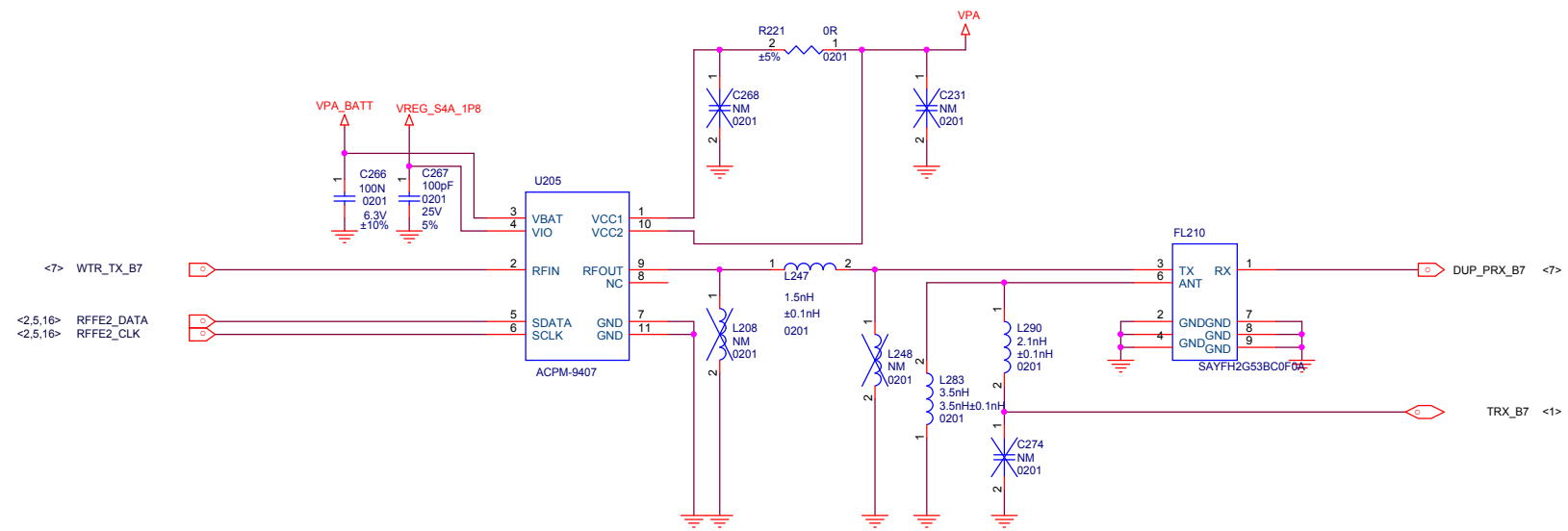


Ant Con&Coupler & Switchplexer

Title		
A1		
Size	Document Number	Rev
A3	<Doc>	<Rev>
Date: Wednesday, December 09, 2015 Sheet 1 of 37		

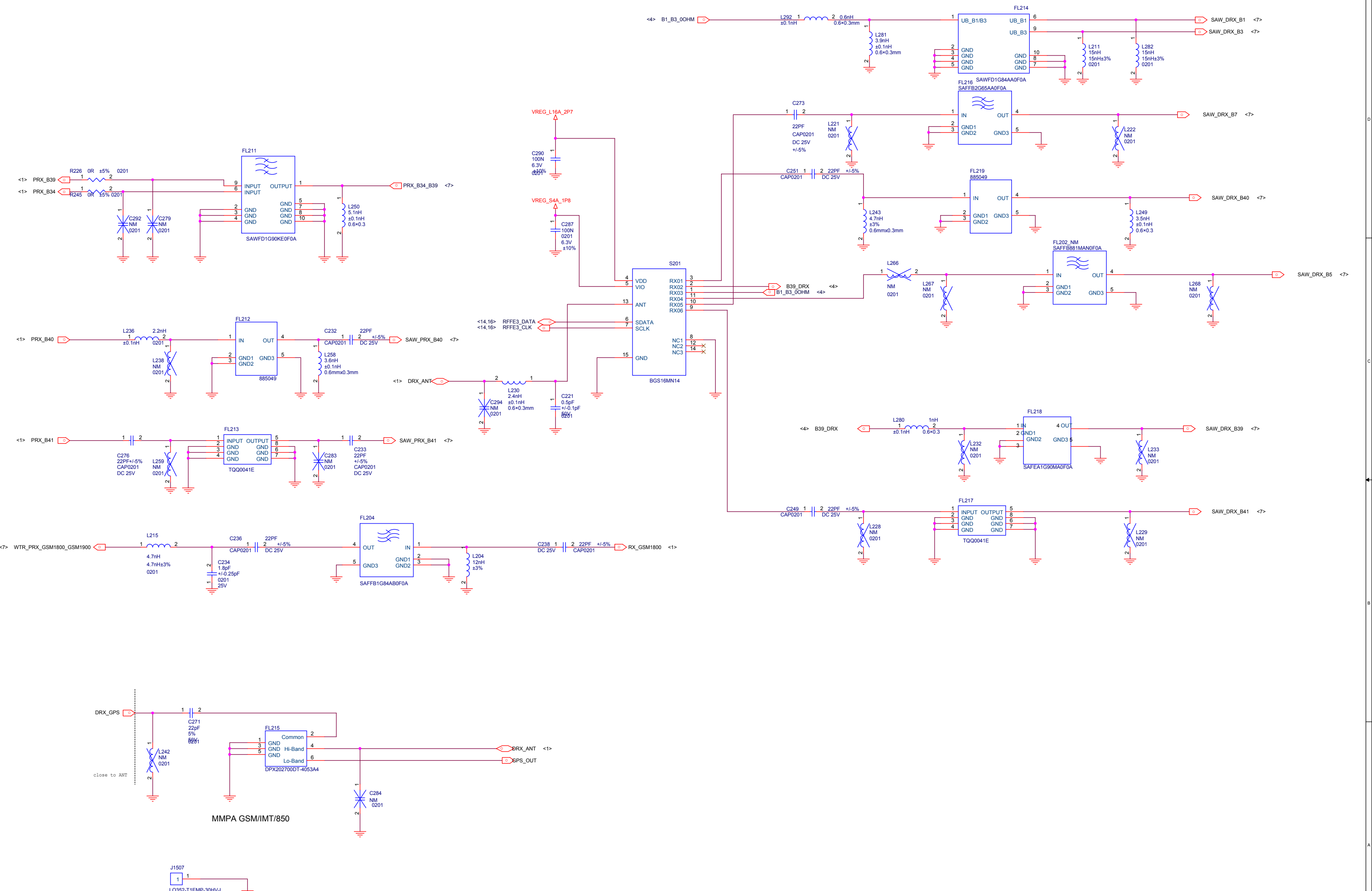
<https://www.mobile-manuals.com/>

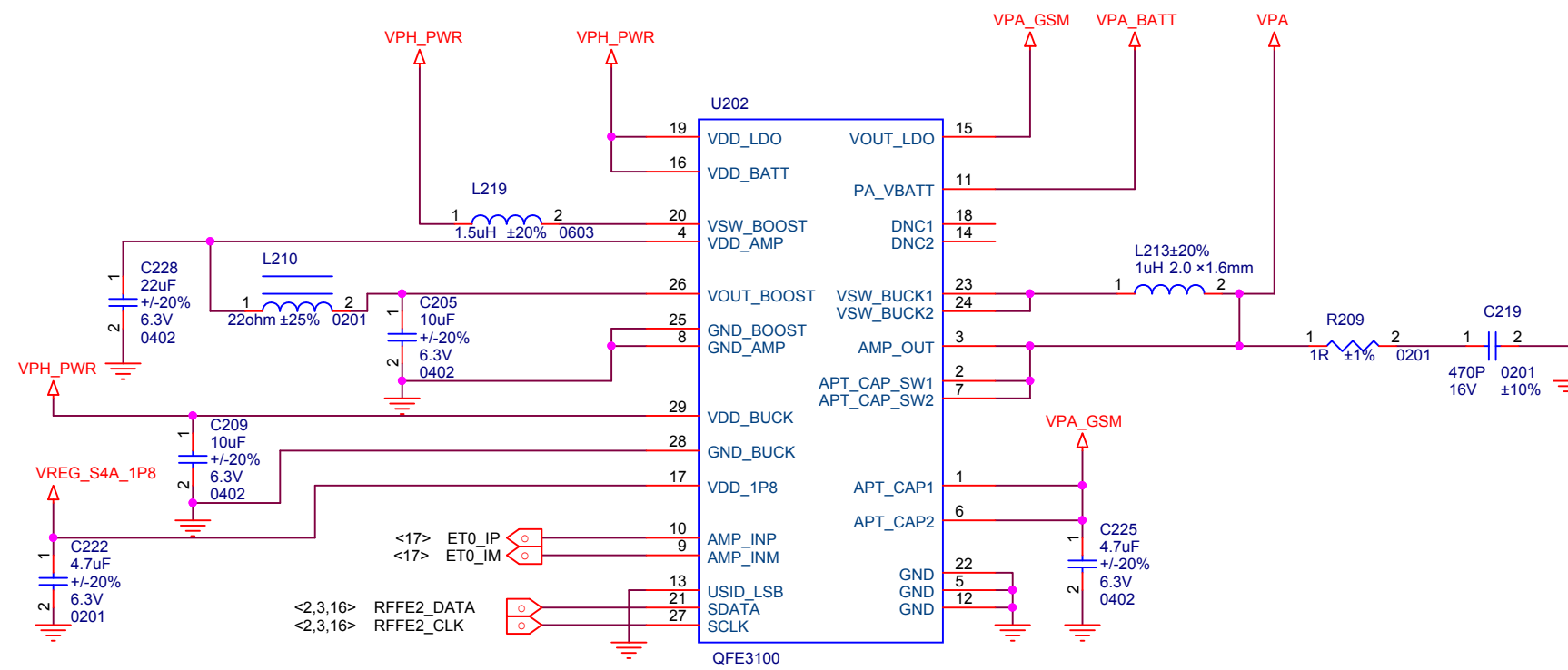




BAND7

Title			
A1			
Size	Document Number	Rev	
A27	42007	P0	
Date:	Wednesday, December 09, 2015	Sheet	3 of 37

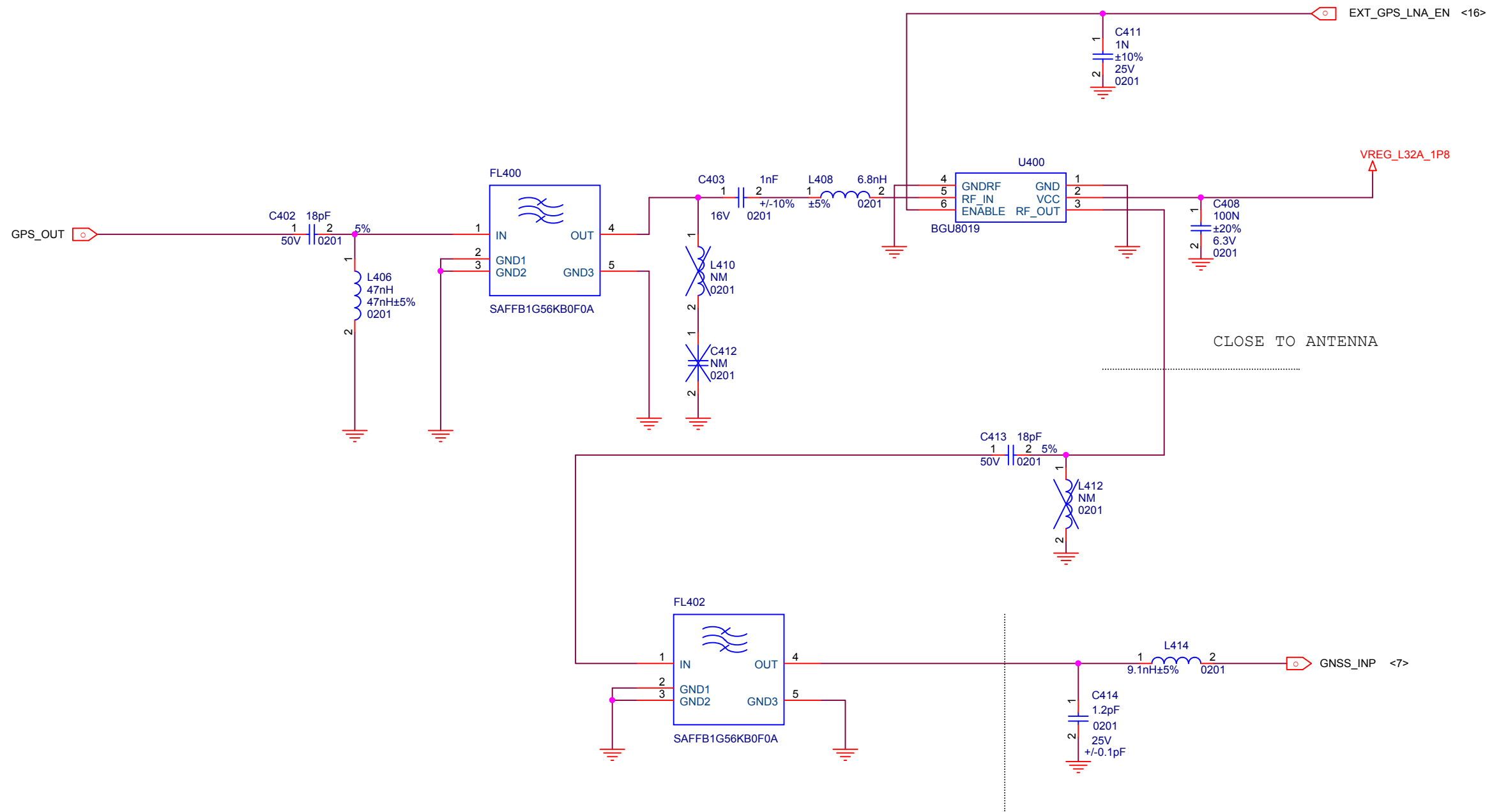




QFE3100

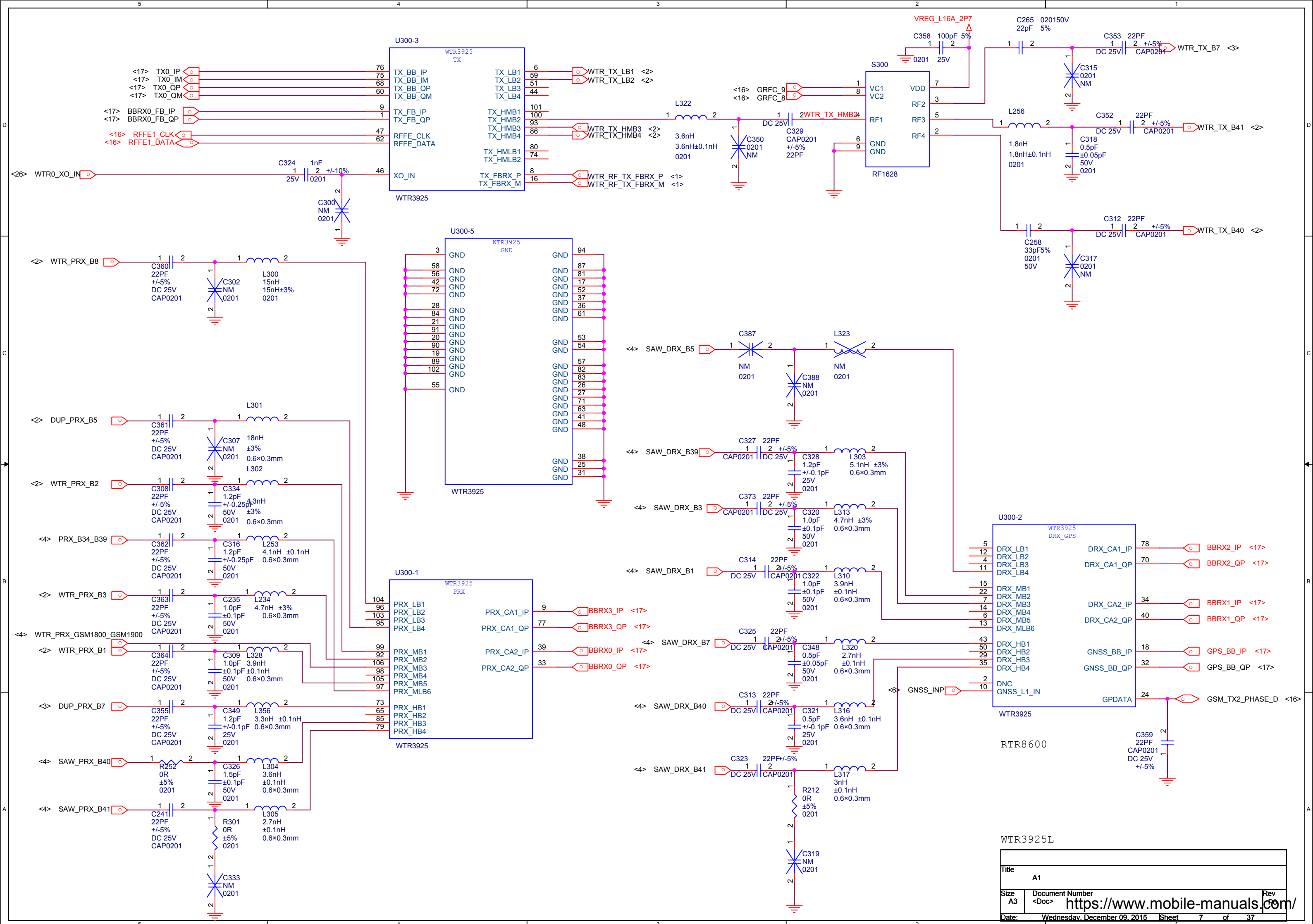
Title		
A1		
Size	Document Number	Rev
A3	<Doc>	1
Date: Wednesday, December 09, 2015 Sheet 5 of 37		

<https://www.mobile-manuals.com/>



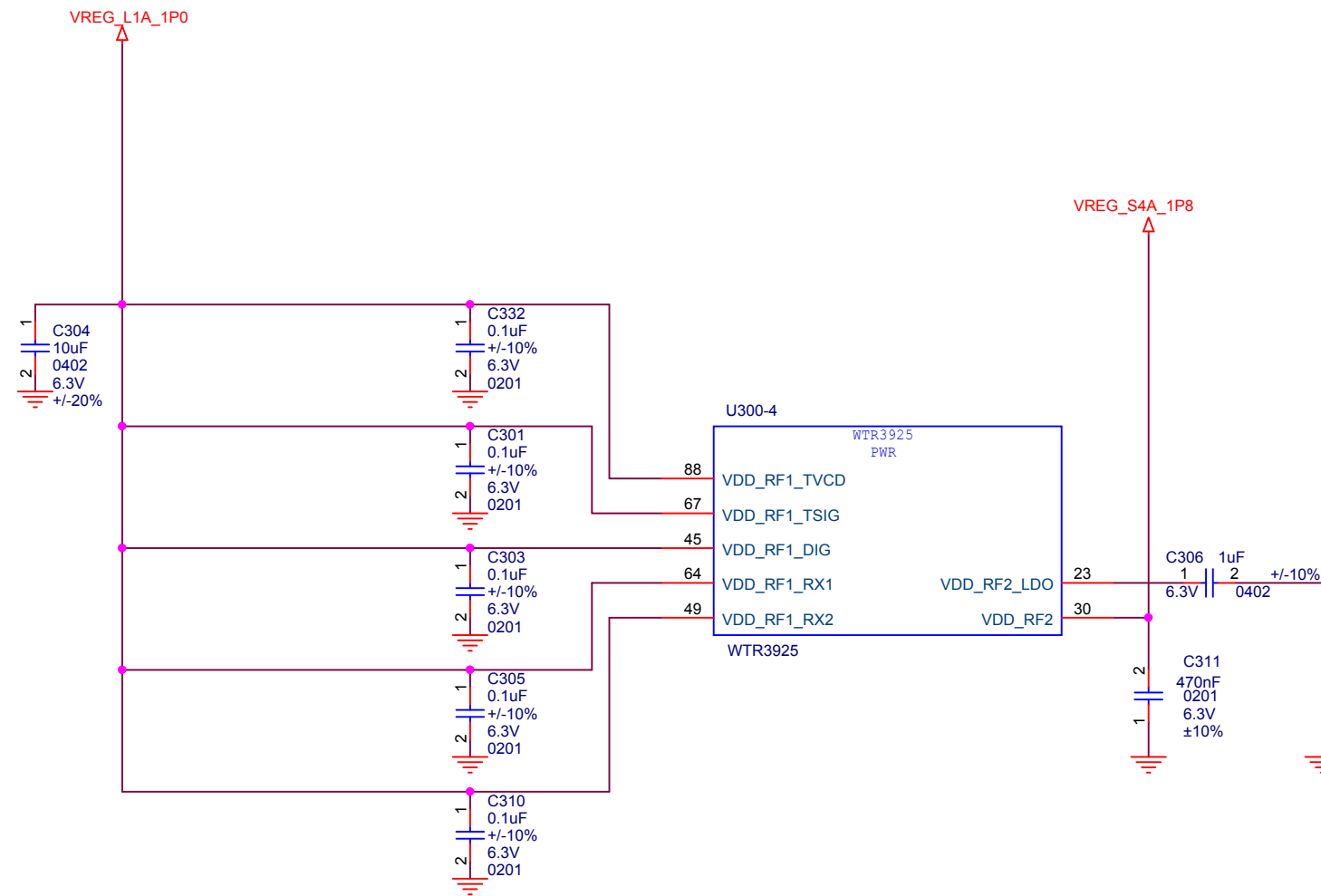
GPS

Title		
A1		
Size	Document Number	Rev
A3	<Doc> https://www.mobile-manuals.com/	A1
Date:	Wednesday, December 09, 2015	Sheet 6 of 37



Title		
A1		
Size	Document Number	Rev
A3	<Doc>	
Date: Wednesday, December 09, 2015 Sheet 7 of 37		

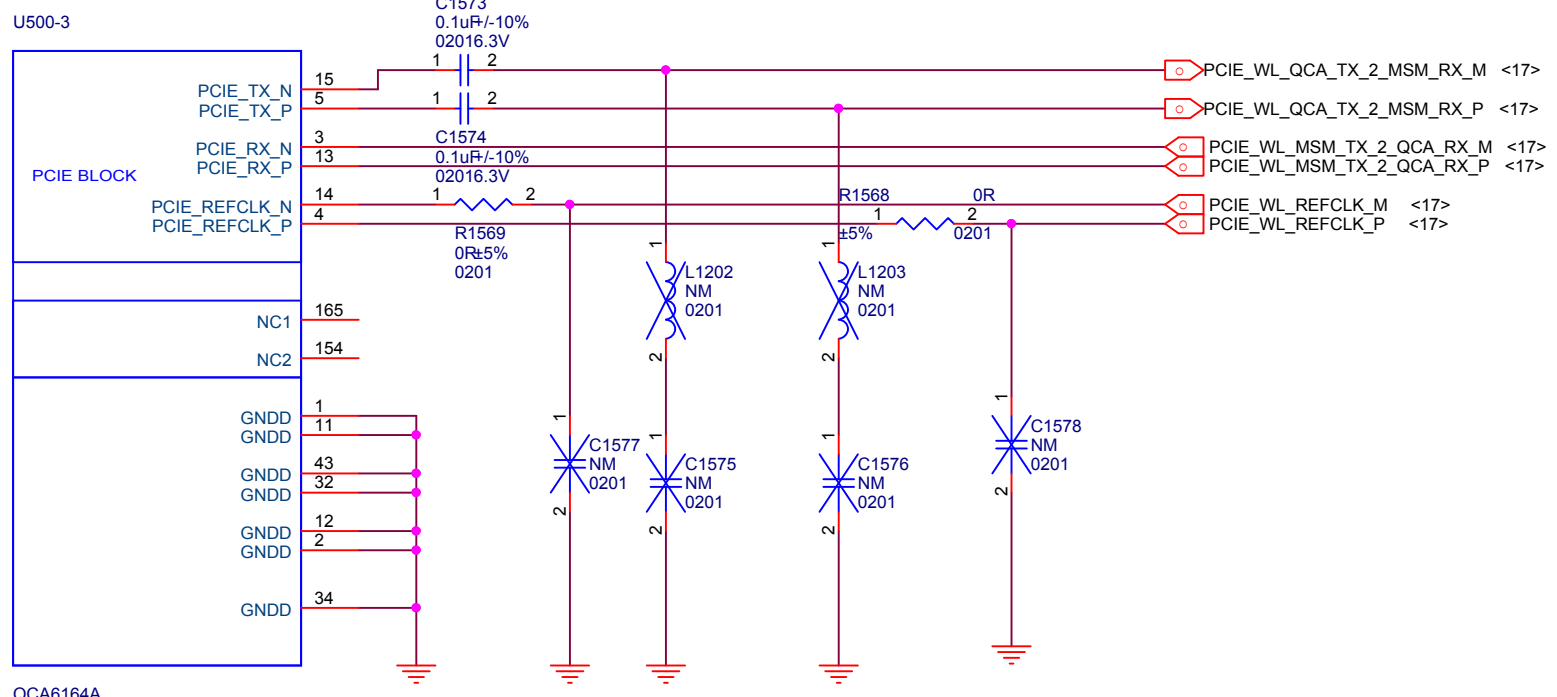
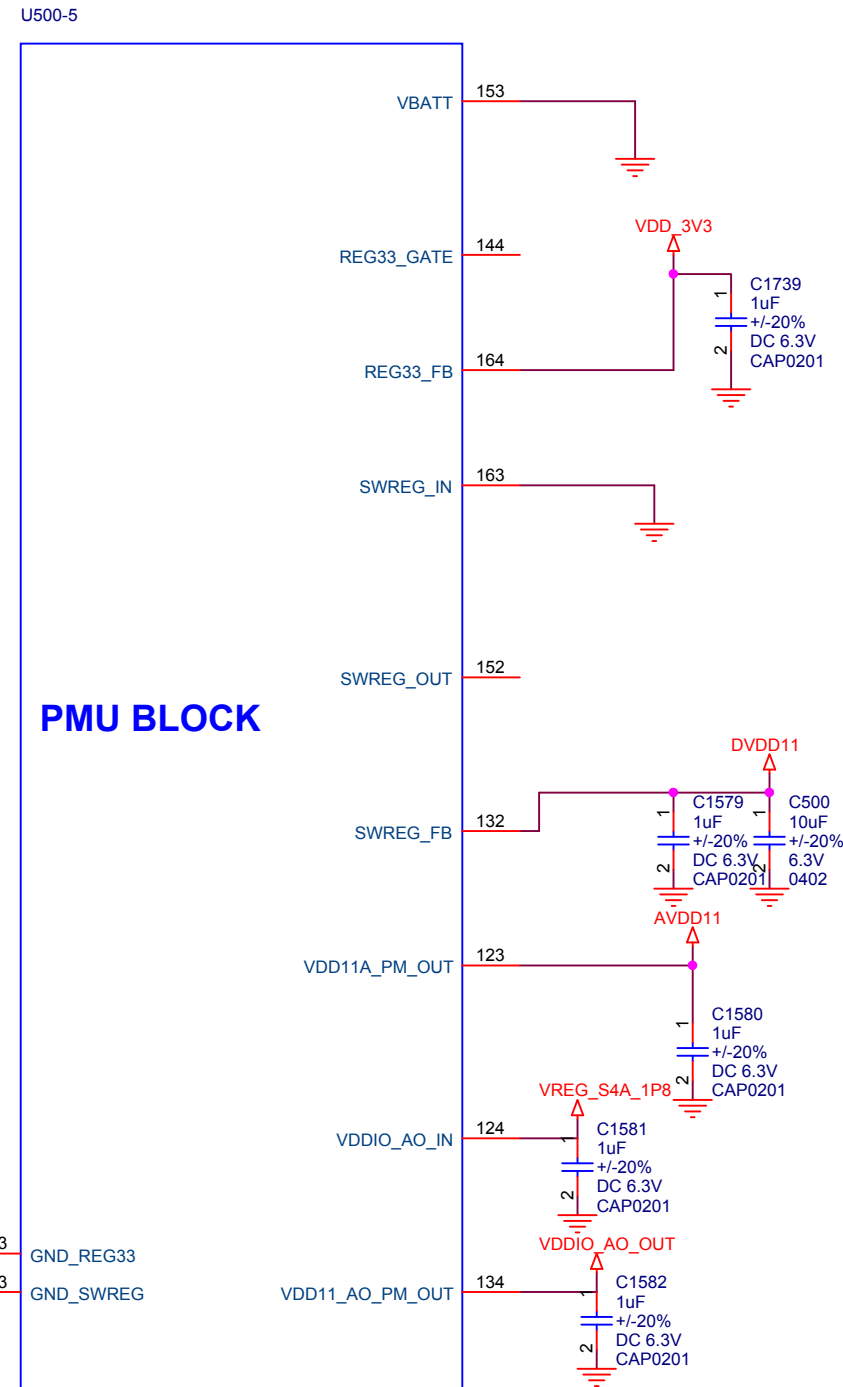
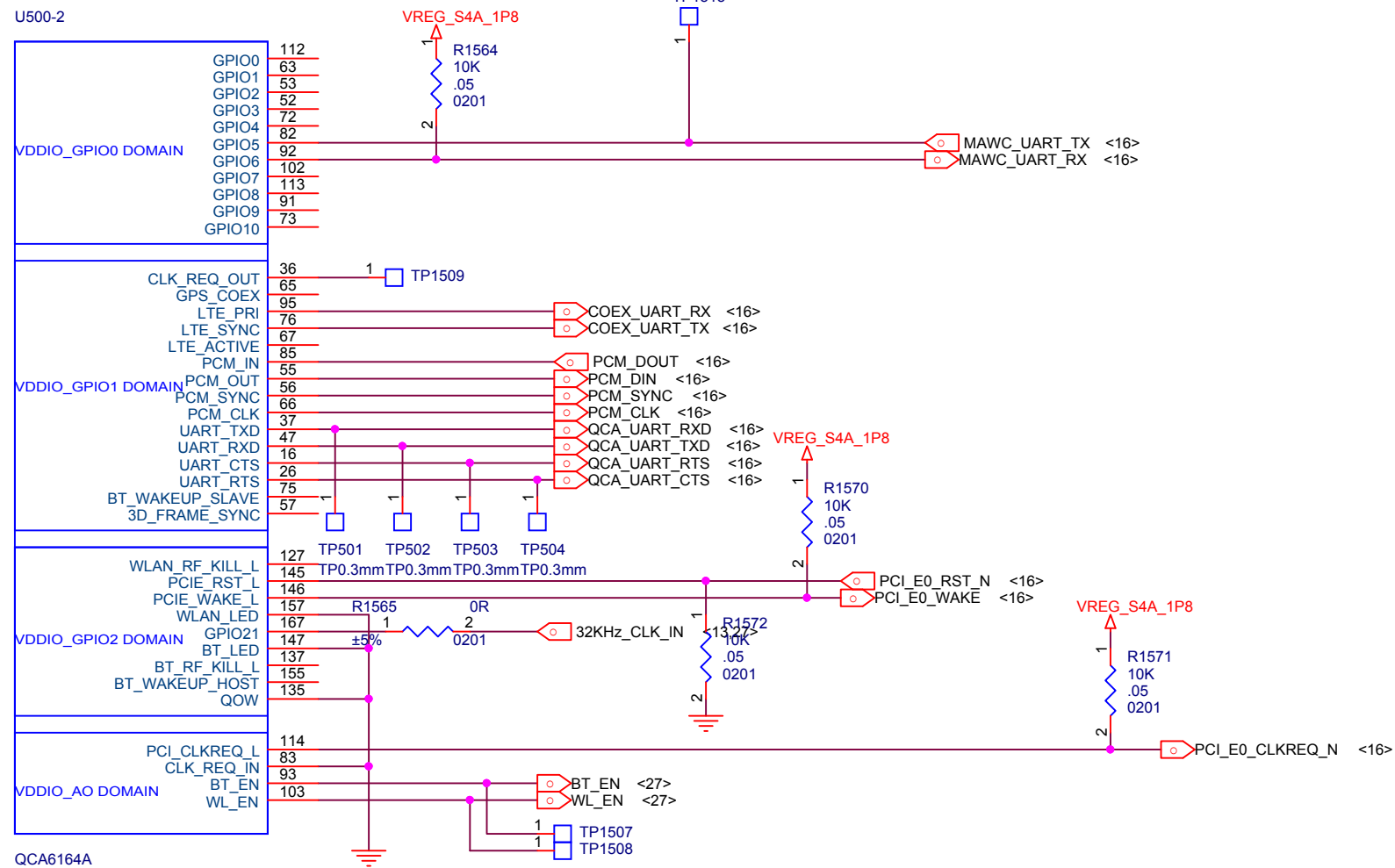
<https://www.mobile-manuals.com/>



WTR3925L BYPASS

Title		
A1		
Size	Document Number	Rev
A3	<Doc	1
Date: Wednesday, December 09, 2015 Sheet 8 of 37		

<https://www.mobile-manuals.com/>

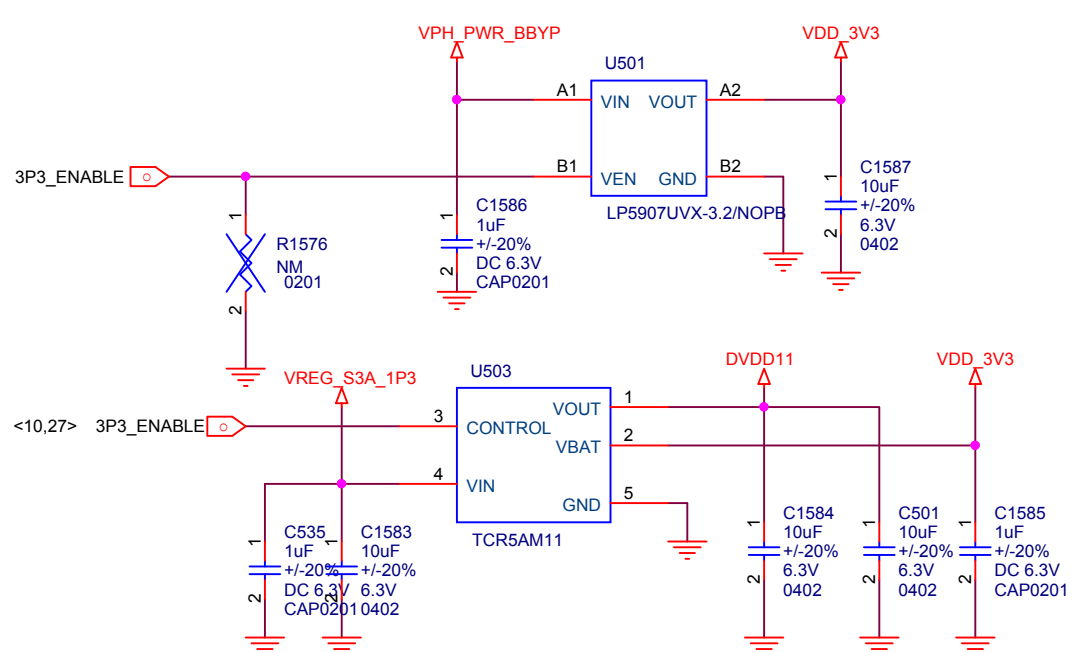
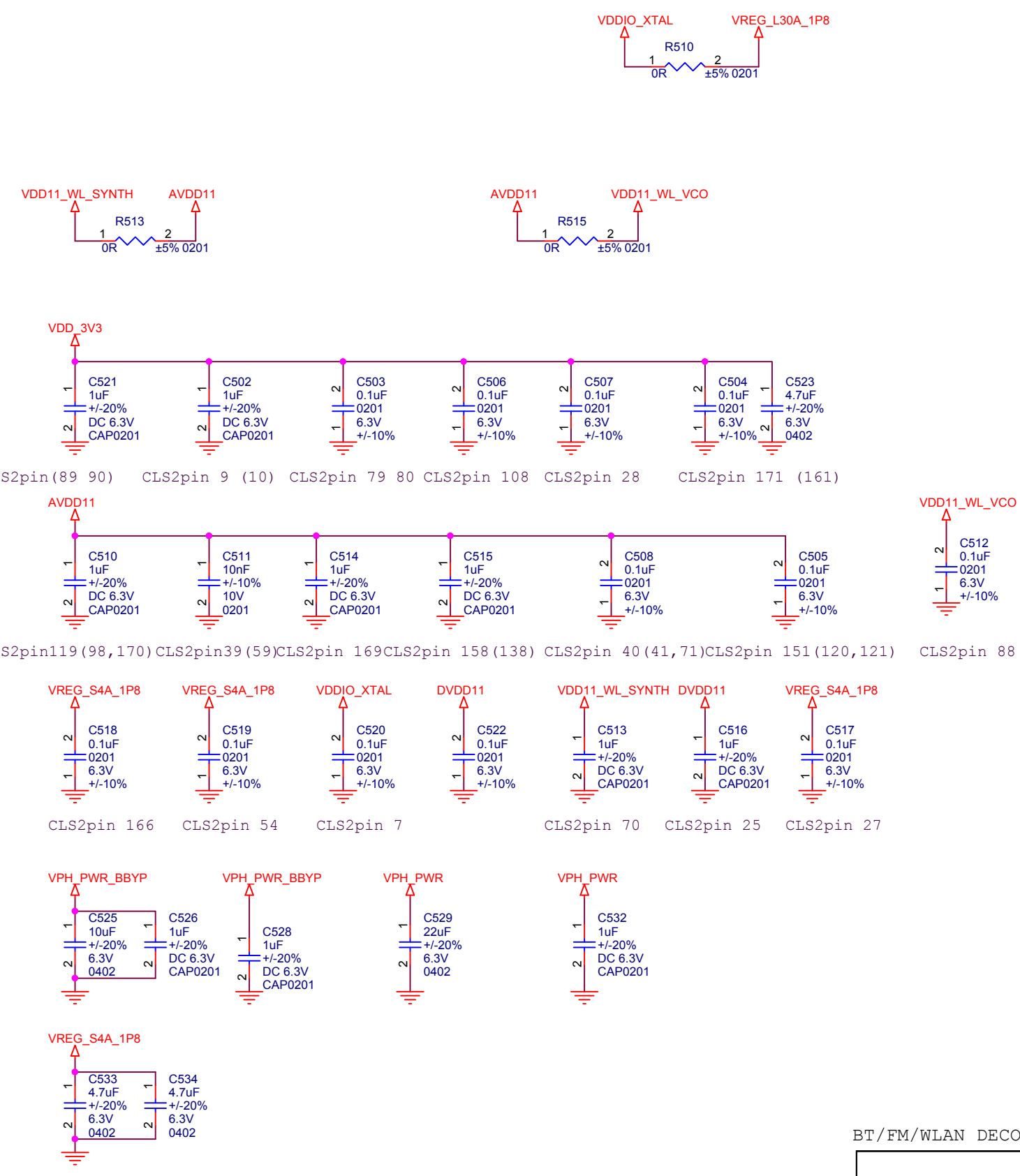
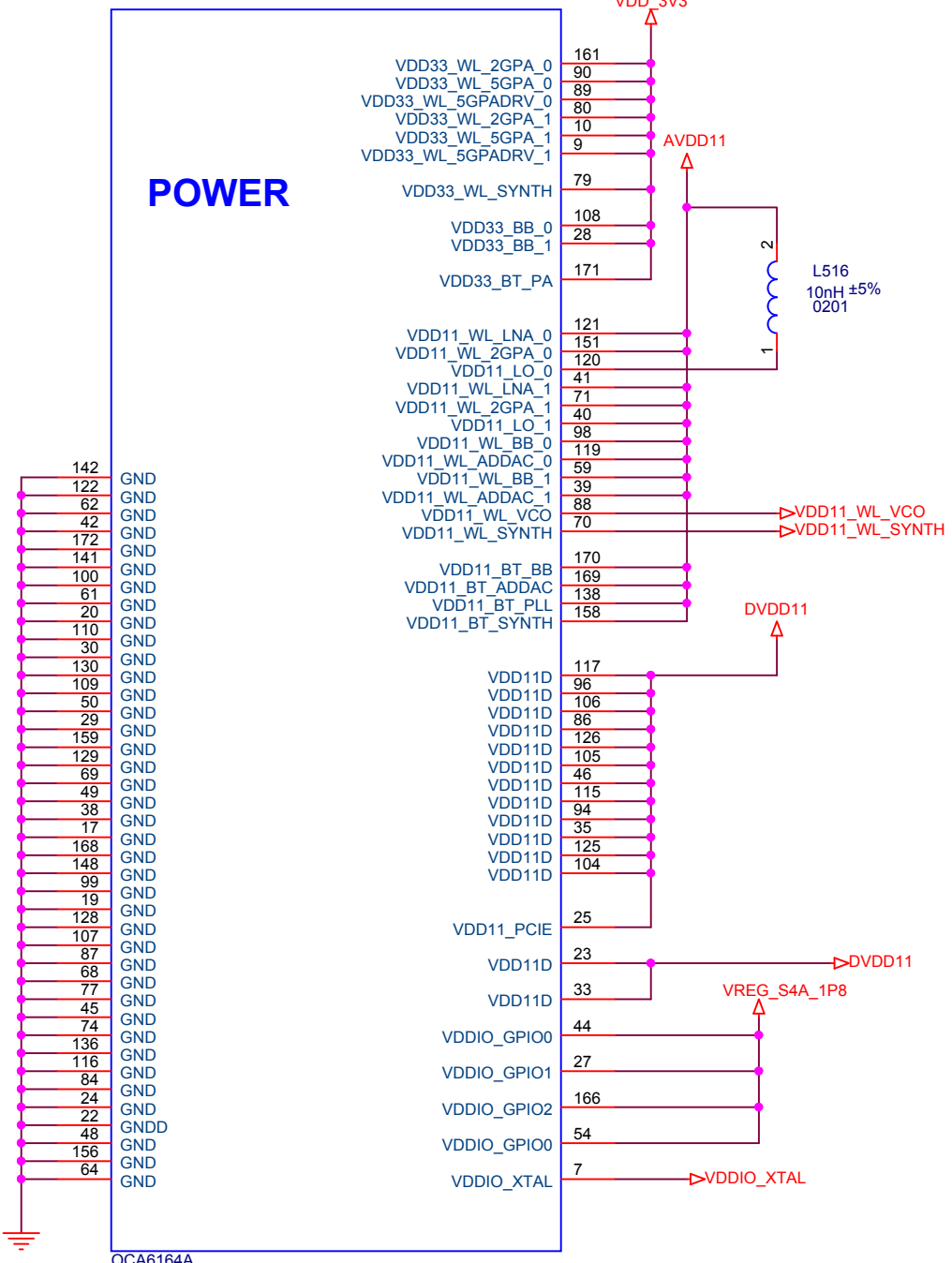


WIFI INTERFACE

Title		
A1		
Size	Document Number	Rev
A3	<Doc>	P1
Date: Wednesday, December 09, 2015 Sheet 9 of 37		

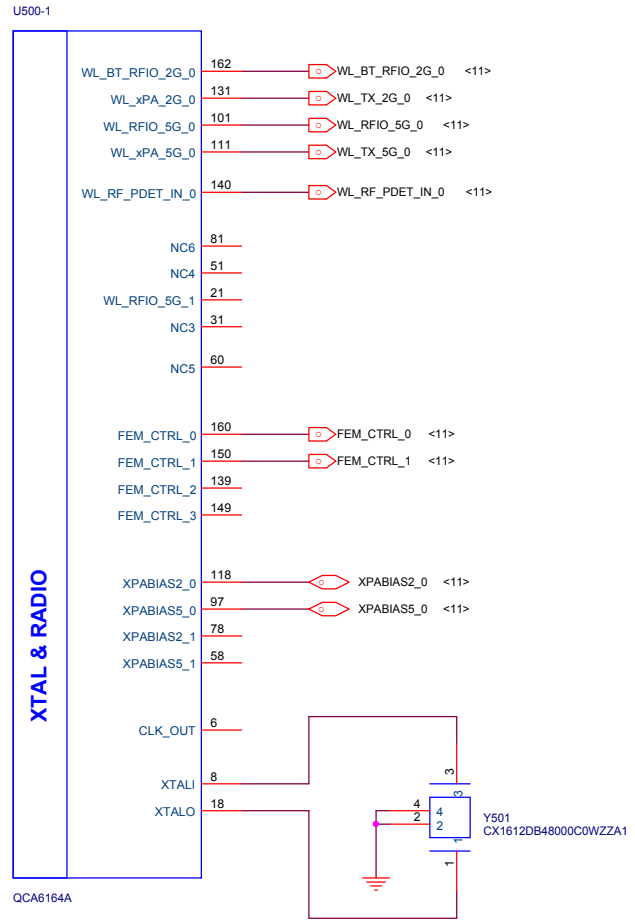
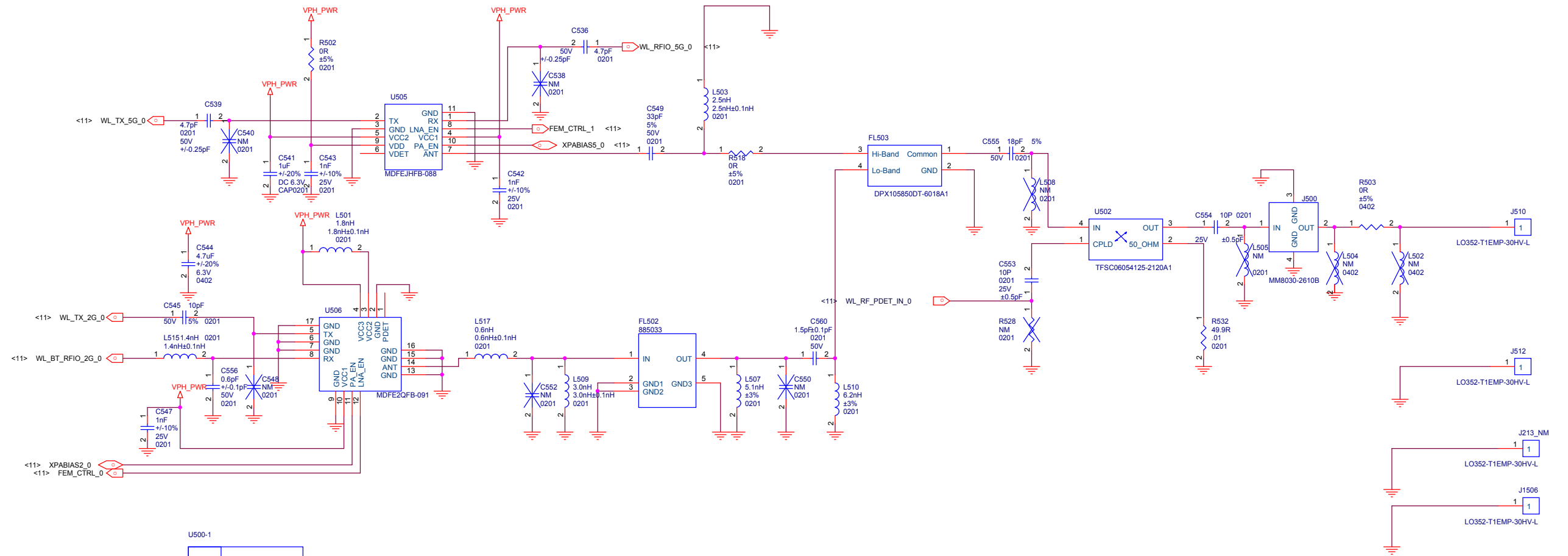
<https://www.mobile-manuals.com/>

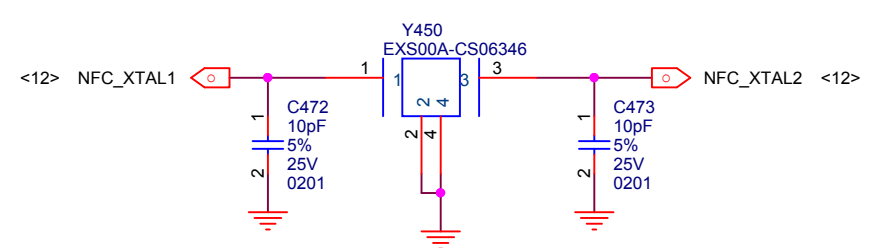
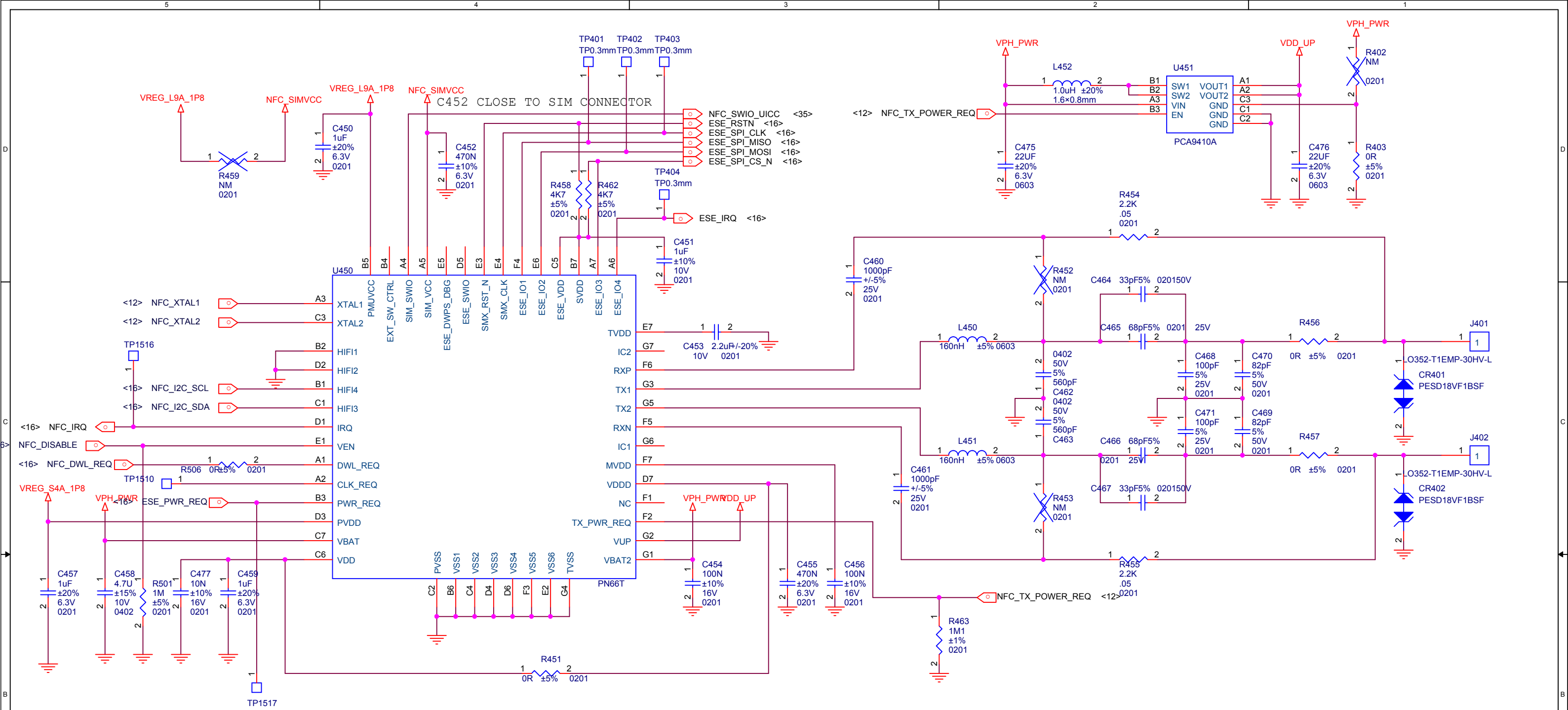
POWER

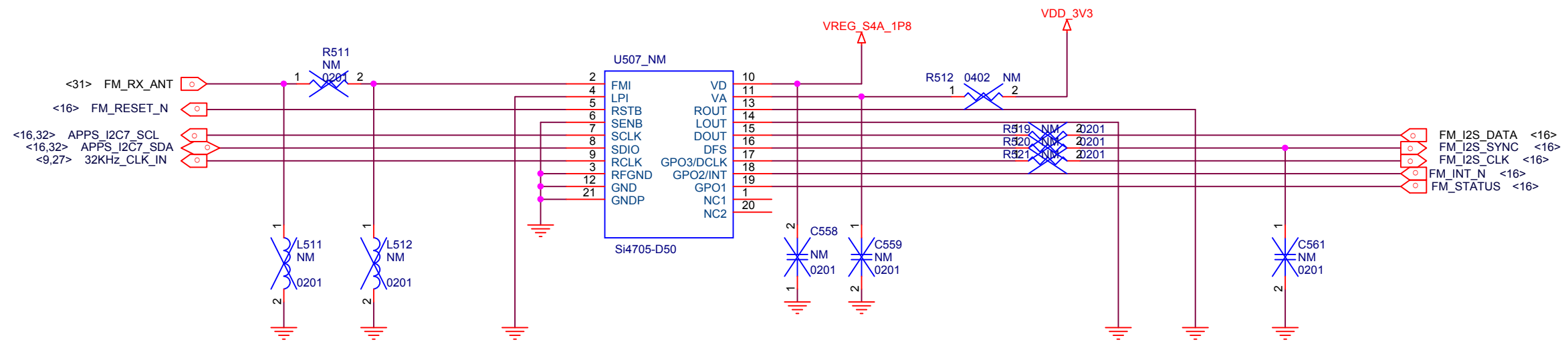


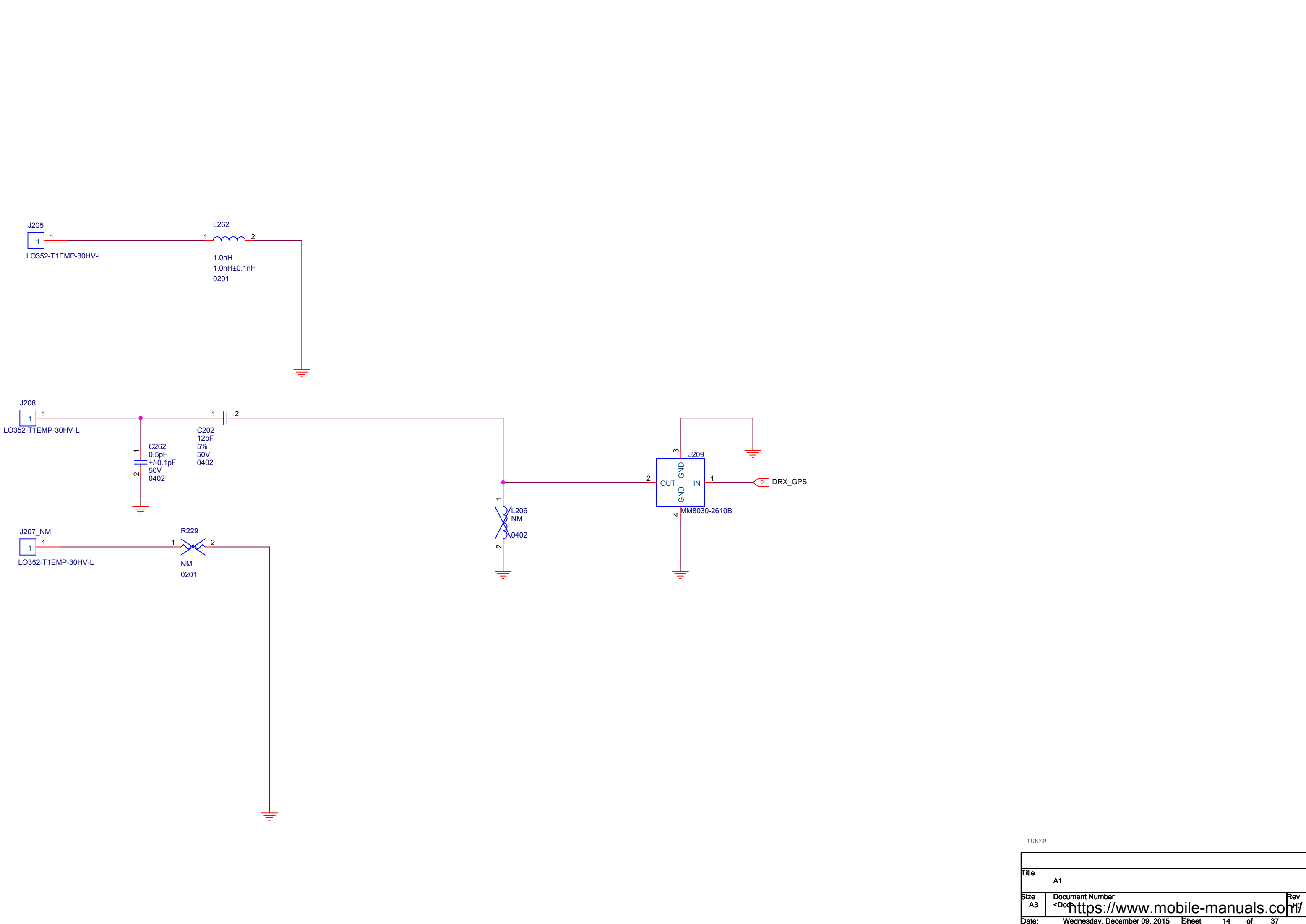
BT/FM/WLAN DECOUP

Title		
A1		
Size	Document Number	Rev
A3	<Doc>	P1
Date: Wednesday, December 09, 2015		
Sheet 10 of 37		





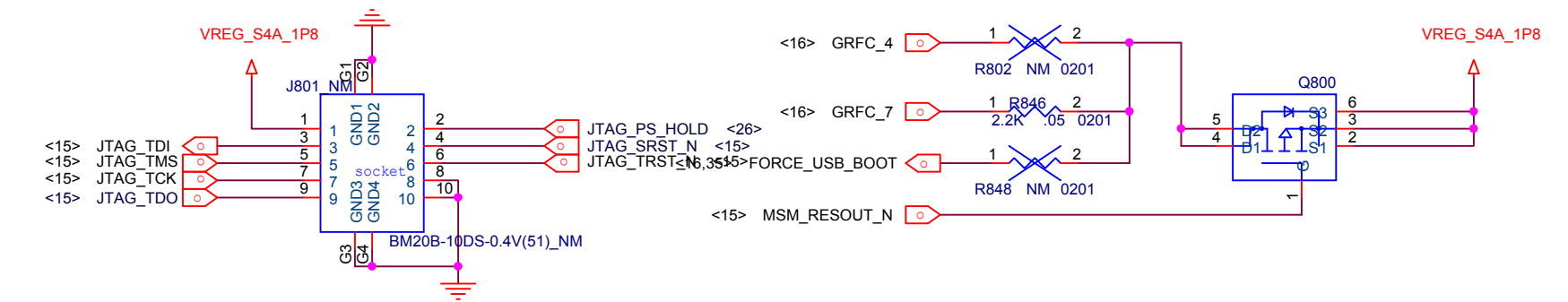
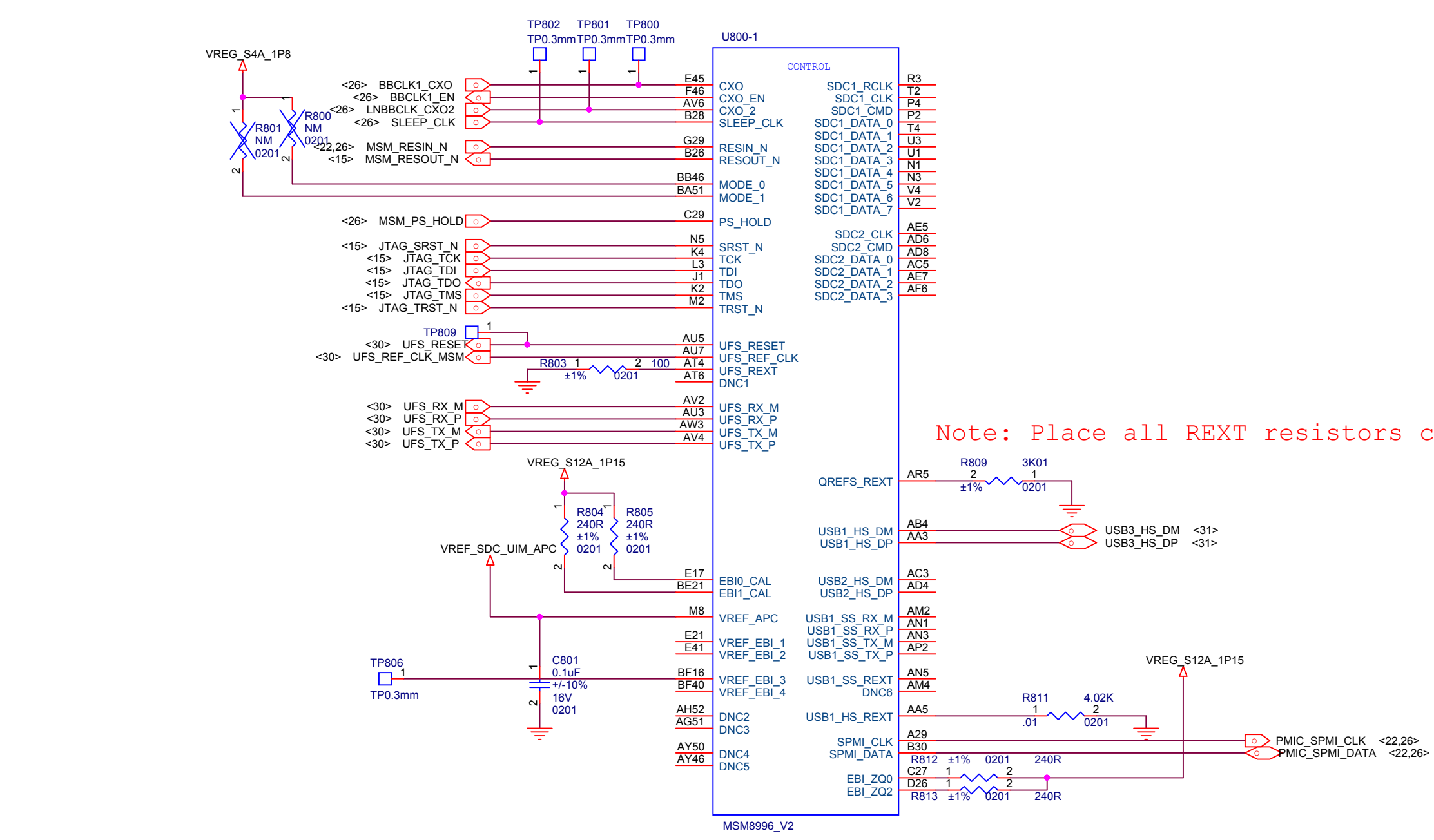




TUNER

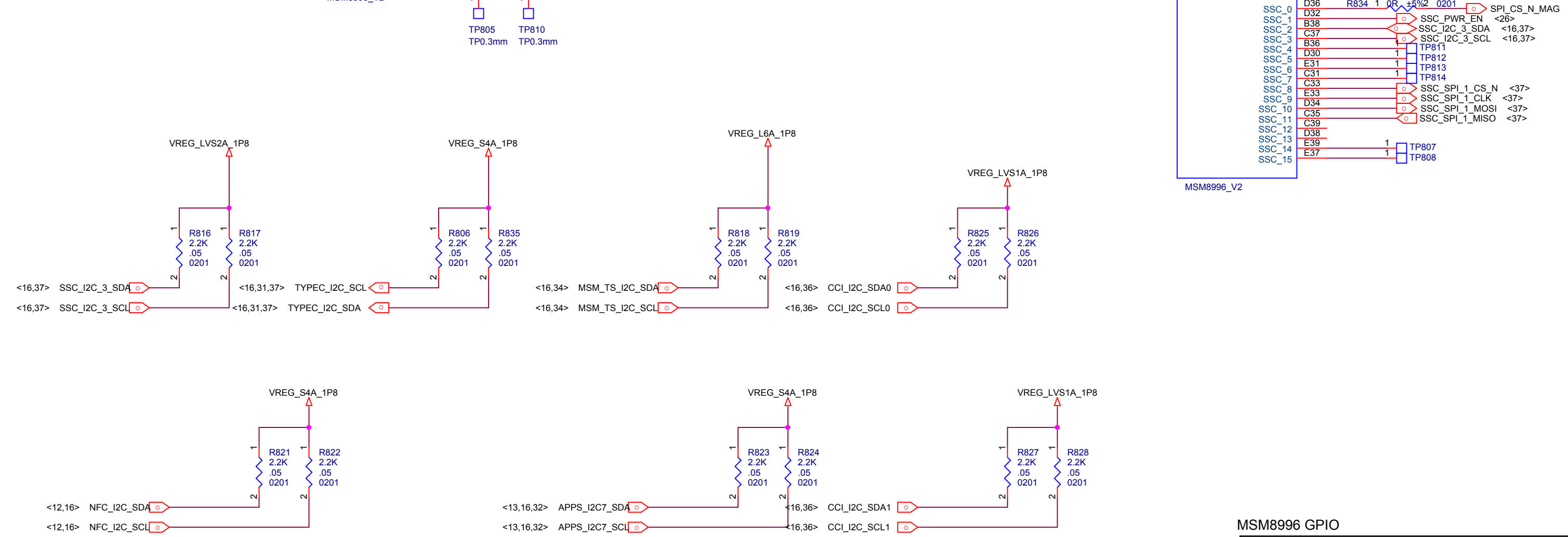
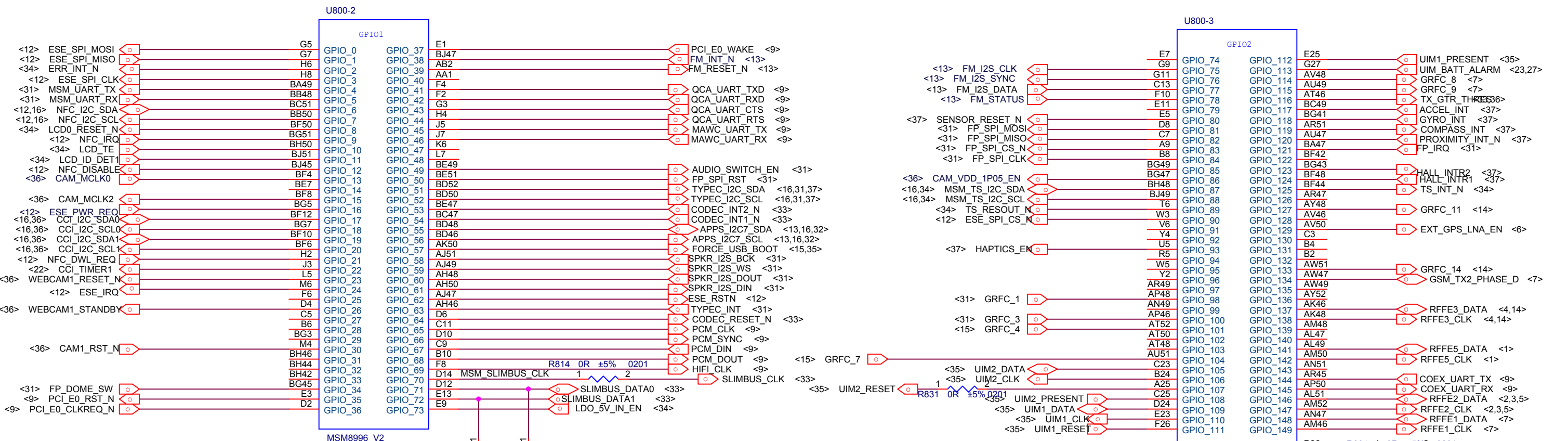
Title		
A1		
Size	Document Number	Rev
A3	<Doc	1
Date: Wednesday, December 09, 2015 Sheet 14 of 37		

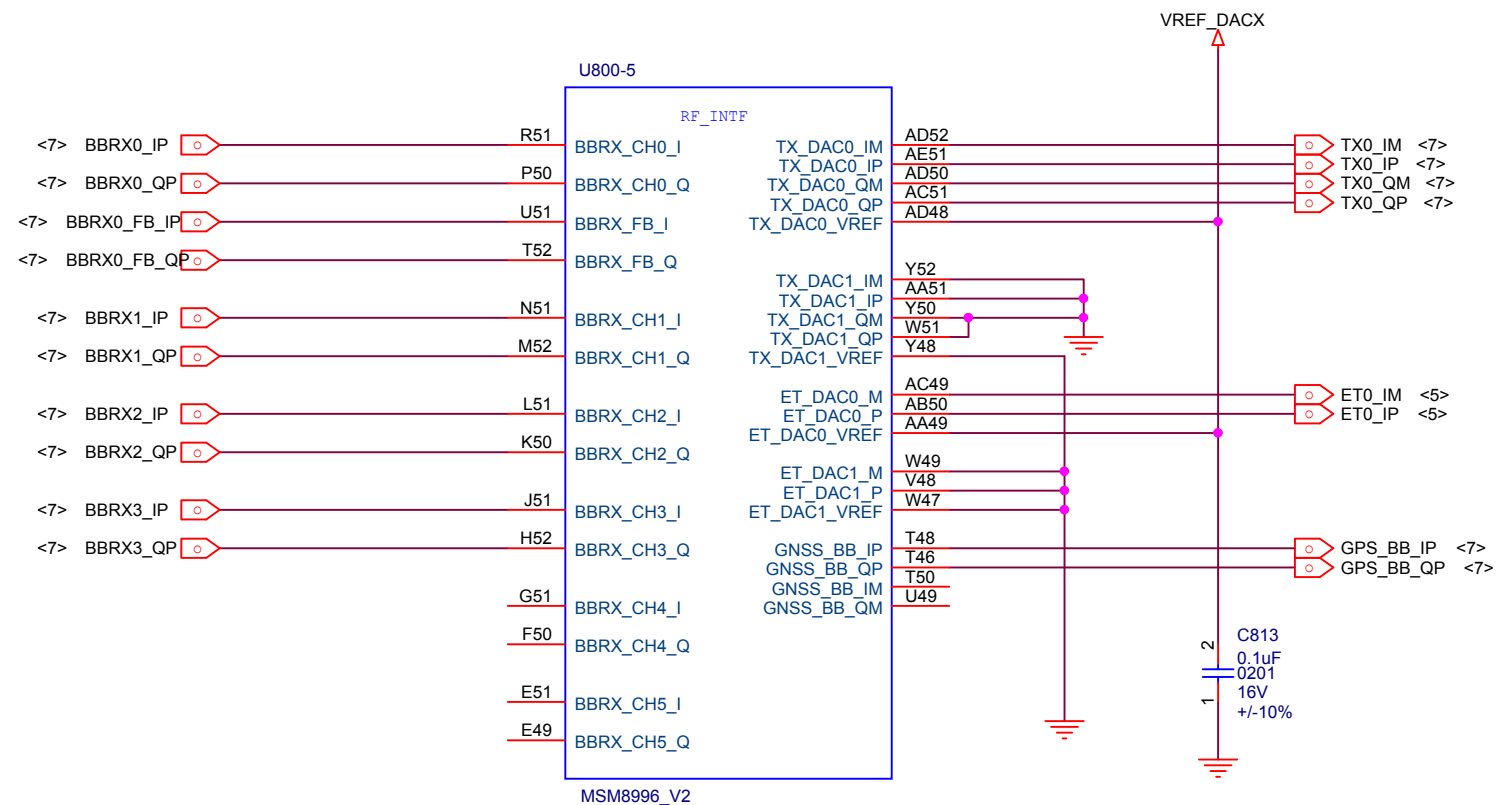
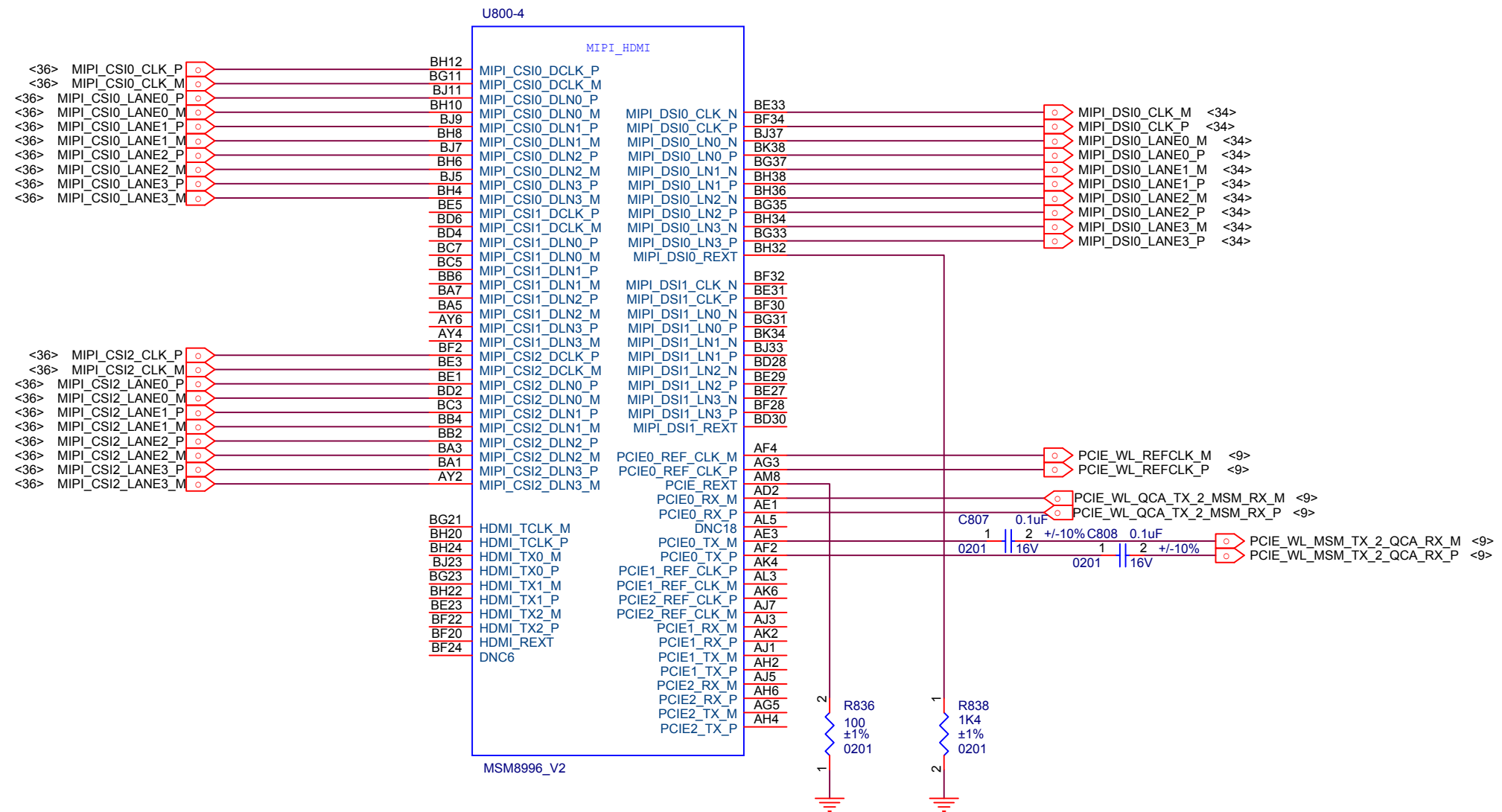
<https://www.mobile-manuals.com/>



MSM8996 CONTROL

Title		
A1		
Size	Document Number	Rev
A3	<Doc>	P
https://www.mobile-manuals.com/		
Date:	Wednesday, December 09, 2015	Sheet 15 of 37

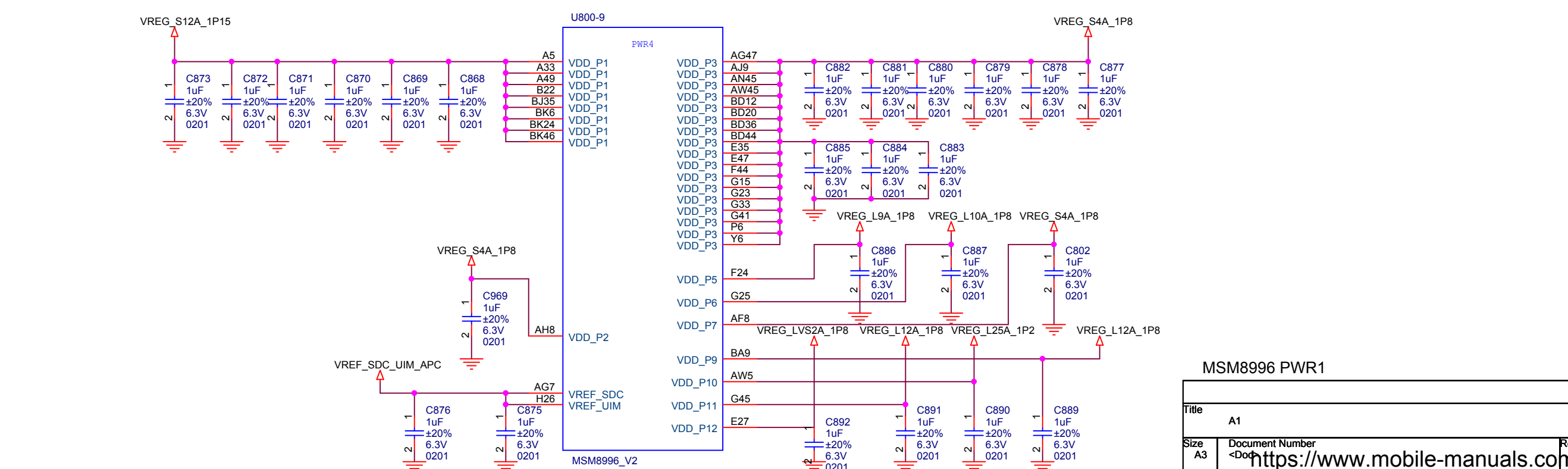
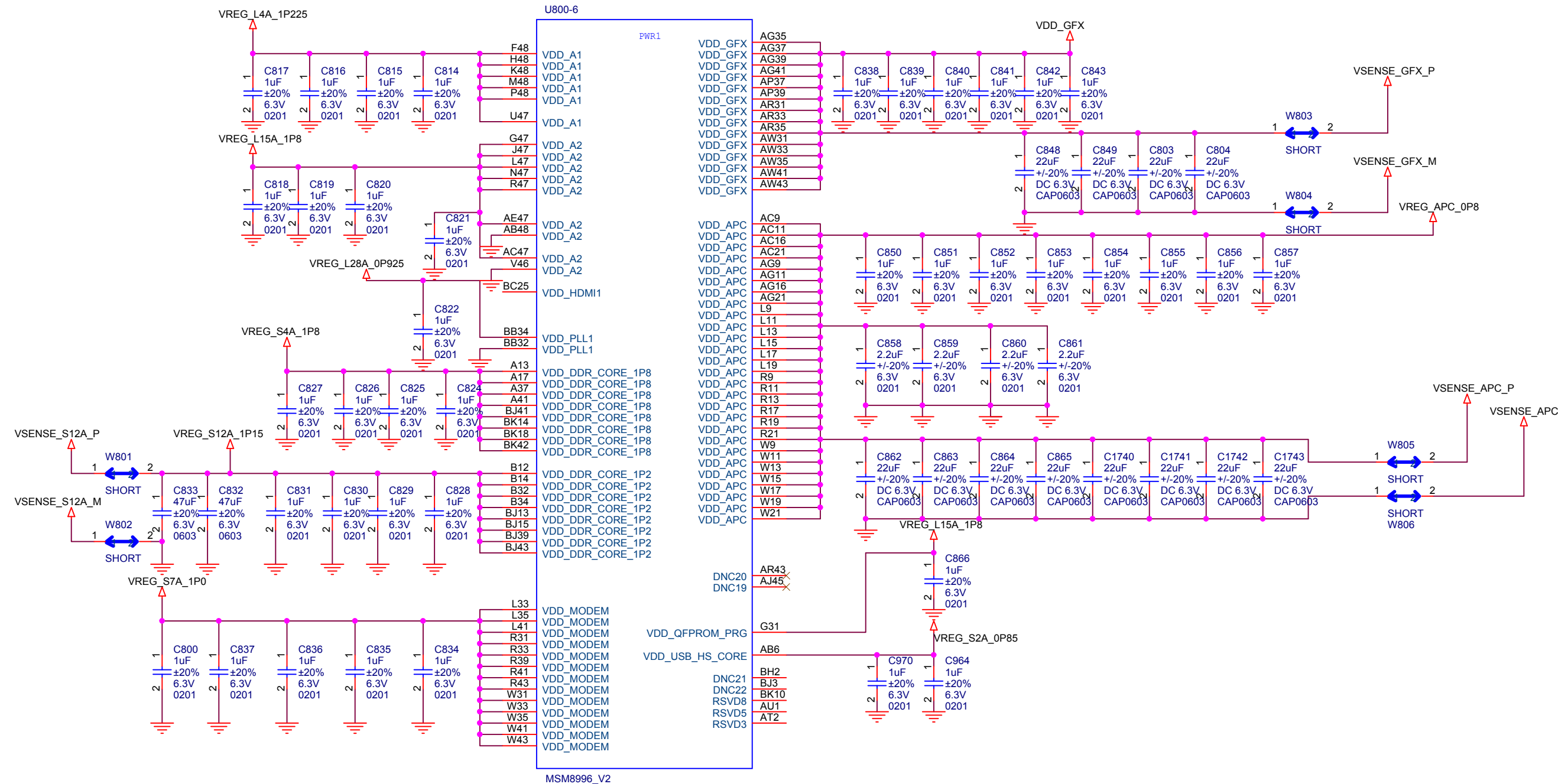




MSM8996 MIPI

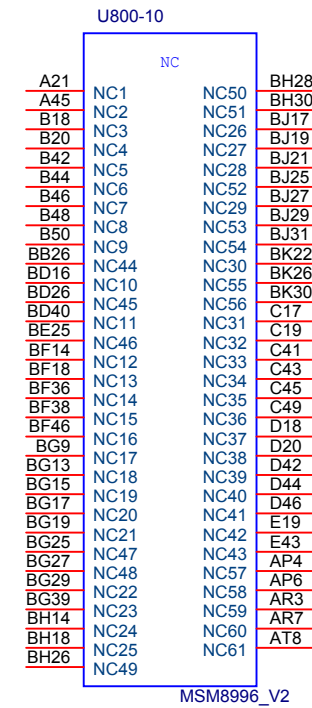
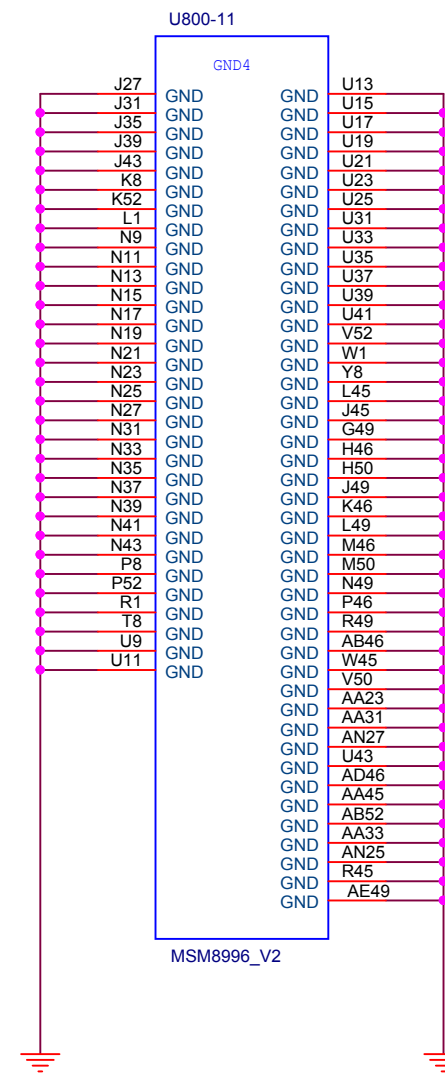
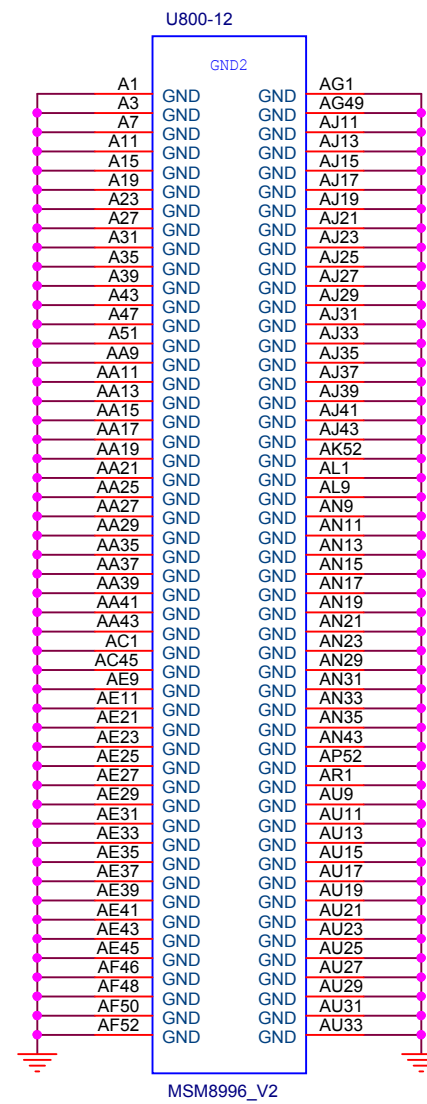
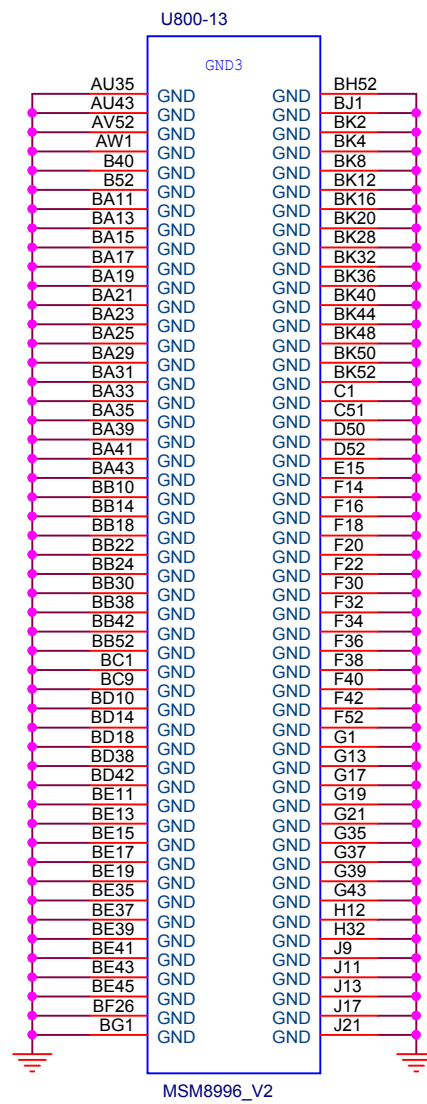
Title		
A1		
Size	Document Number	Rev
A3	<Doc>	P
Date: Wednesday, December 09, 2015 Sheet 17 of 37		

<https://www.mobile-manuals.com/>



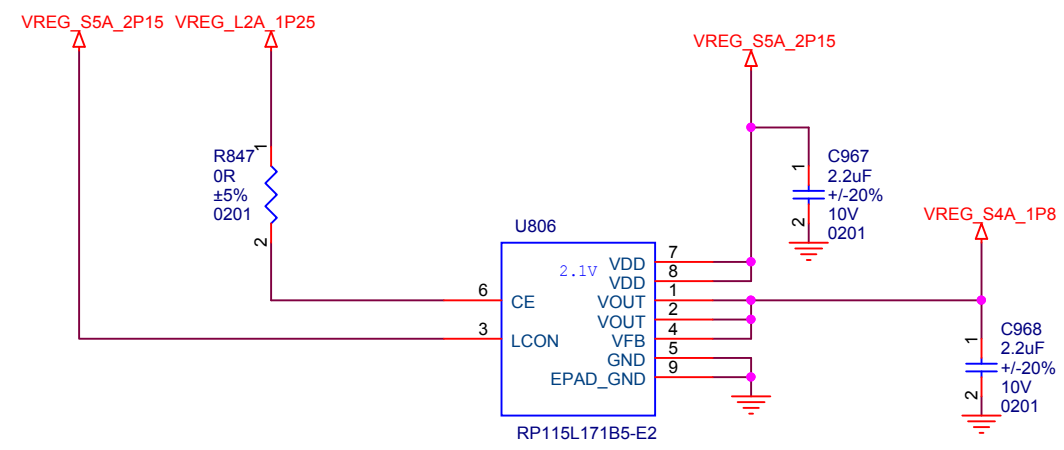
MSM8996 PWR1		
Title	A1	
Size	Document Number	Rev
A3	<Doc>	P1
Date:	Wednesday, December 09, 2015	Sheet 18 of 37

<https://www.mobile-manuals.com/>



MSM8996 GND

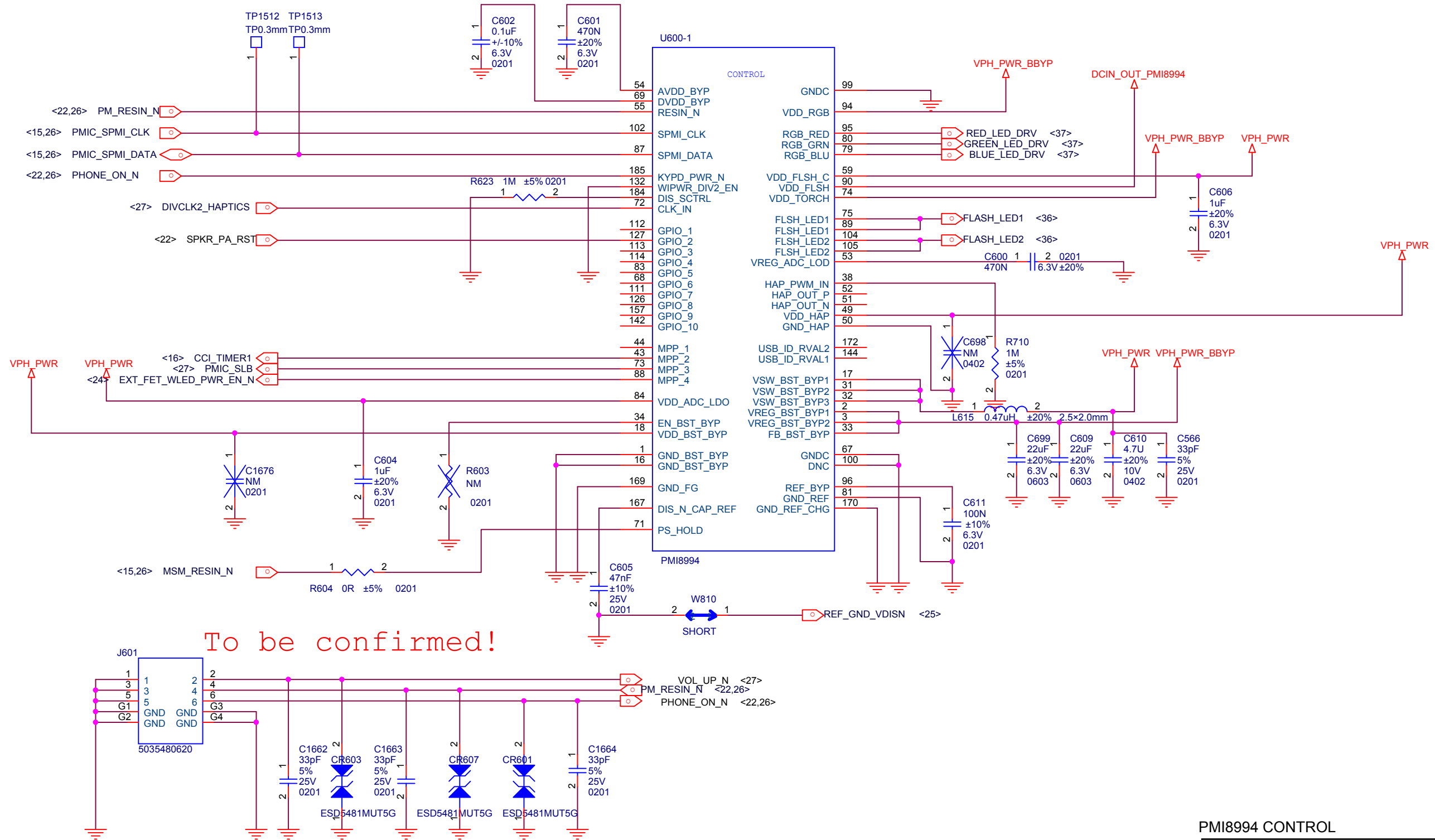
Title		
A1		
Size	Document Number	Rev
A3	<Doc> https://www.mobile-manuals.com	P9
Date:	Wednesday, December 09, 2015	Sheet 20 of 37



MSM8996 LPDDR REGULATOR

Title		
A1		
Size	Document Number	Rev
A3	<Doc	1
Date: Wednesday, December 09, 2015 Sheet 21 of 37		

<https://www.mobile-manuals.com/>

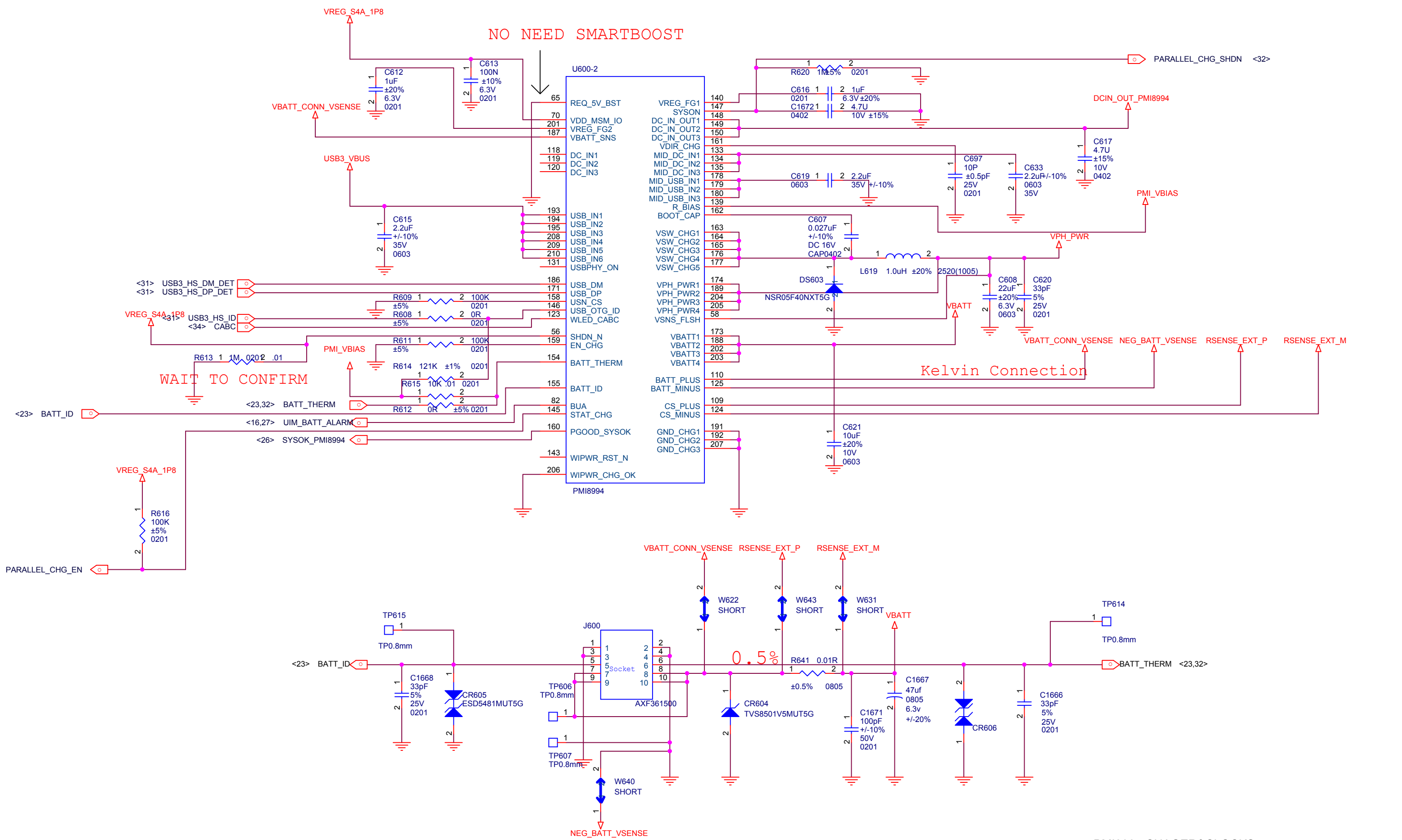


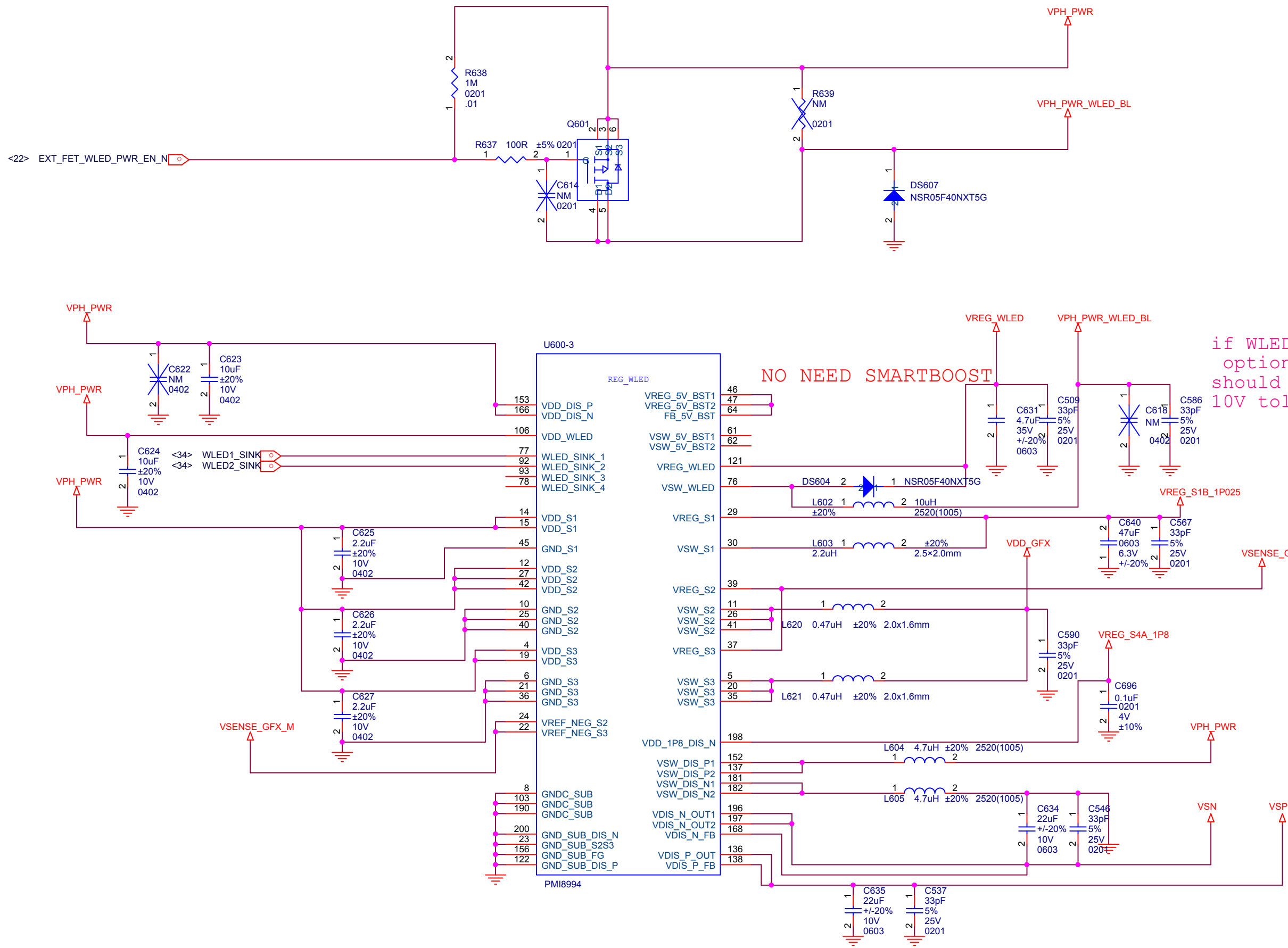
To be confirmed!

PM18994 CONTROL

Title		
A1		
Size	Document Number	Rev
A3	<Doc>	PM18994
Date:	Wednesday, December 09, 2015	Sheet 22 of 37

<https://www.mobile-manuals.com/>



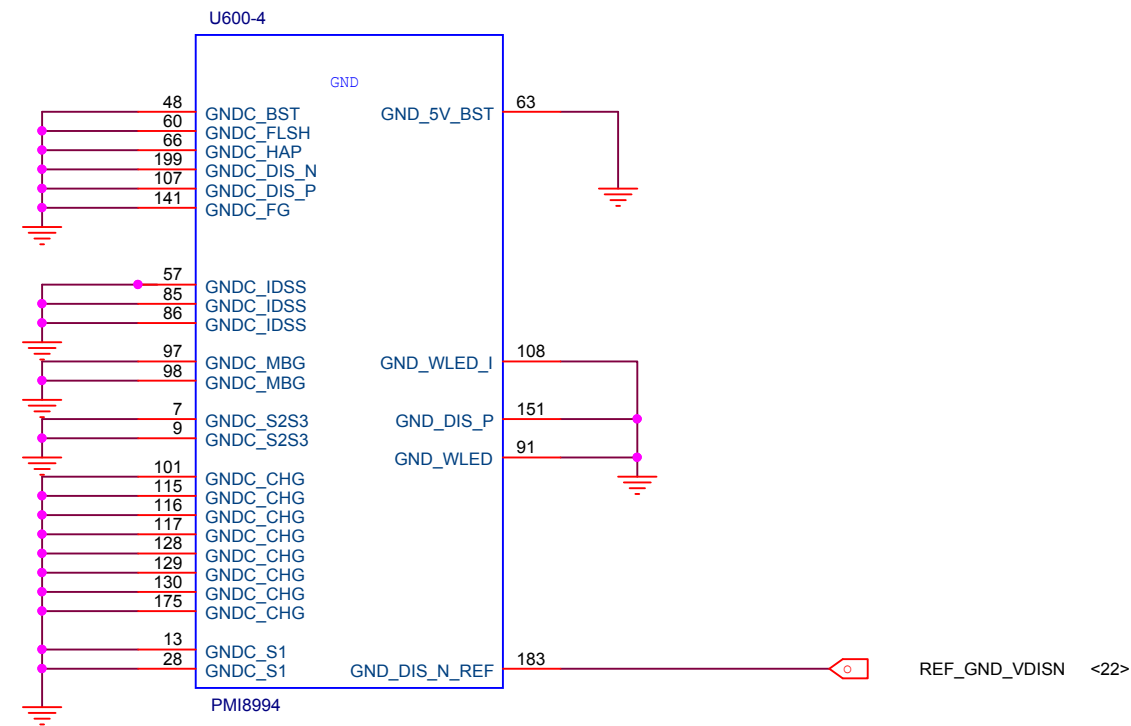


if WLED short circuit protection option is not used, C1670 should be changed to 10uF, 10V tolerance capacitor

PMI8994 REG WLED

Title		A1
Size	Document Number	Rev
A3	<Doc>	P
Date:	Wednesday, December 09, 2015	Sheet 24 of 37

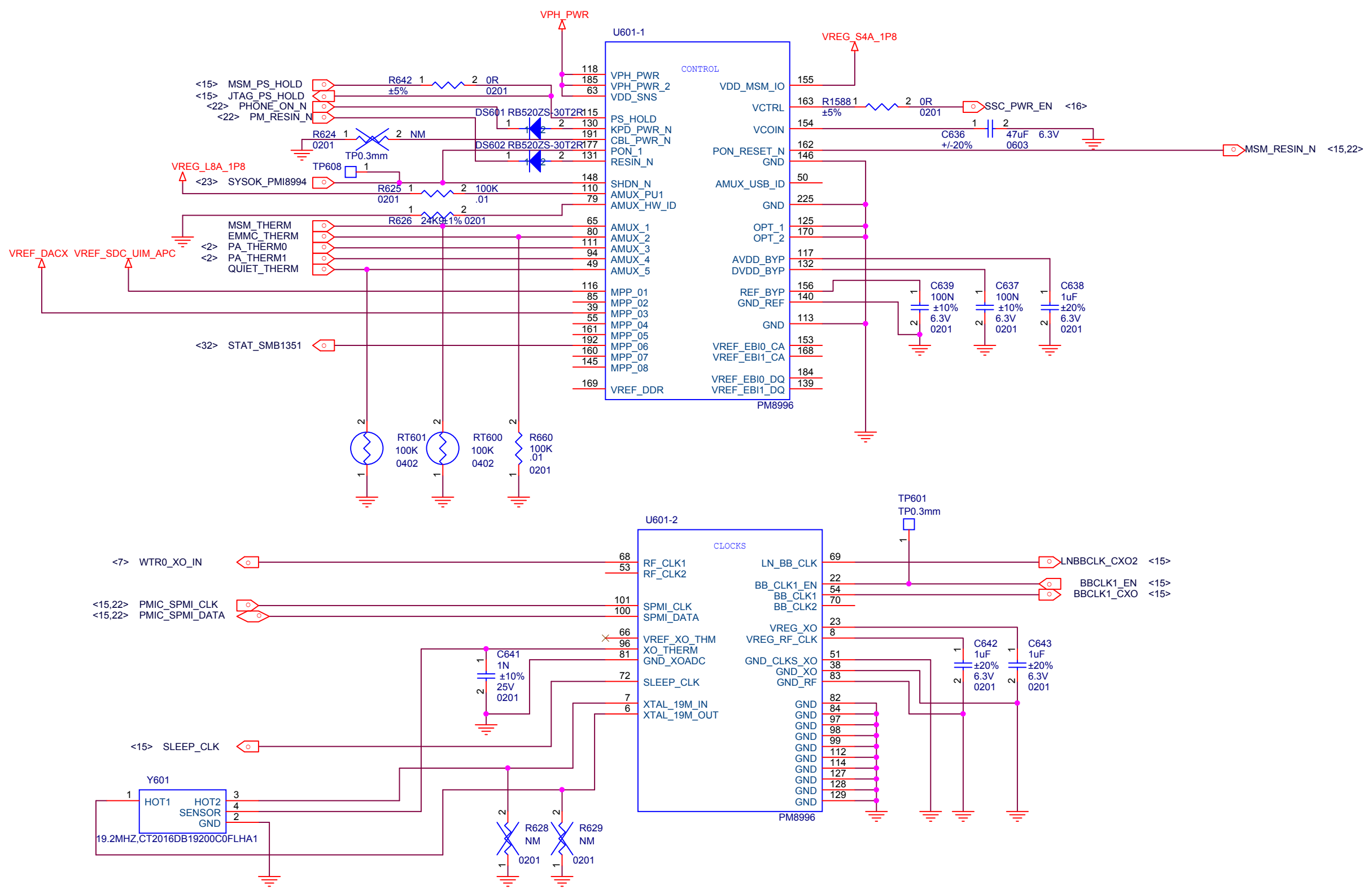
<https://www.mobile-manuals.com/>



CAD NOTE: Connect to pin183 then GND with single via

PMI8994 GND

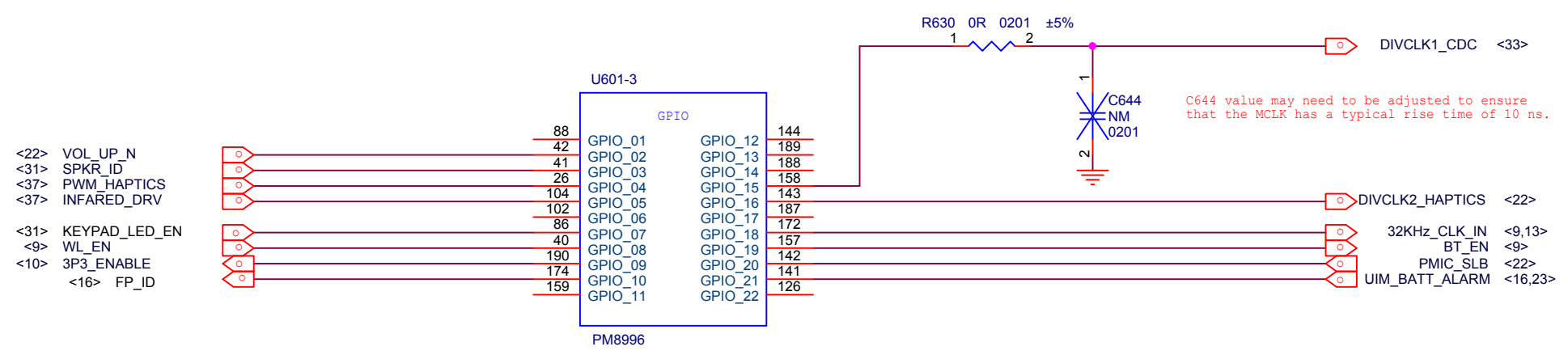
Title		
A1		
Size	Document Number	Rev
A3	<Doc> https://www.mobile-manuals.com/	1/1
Date:	Wednesday, December 09, 2015	Sheet 25 of 37



PM8996 CONTROL

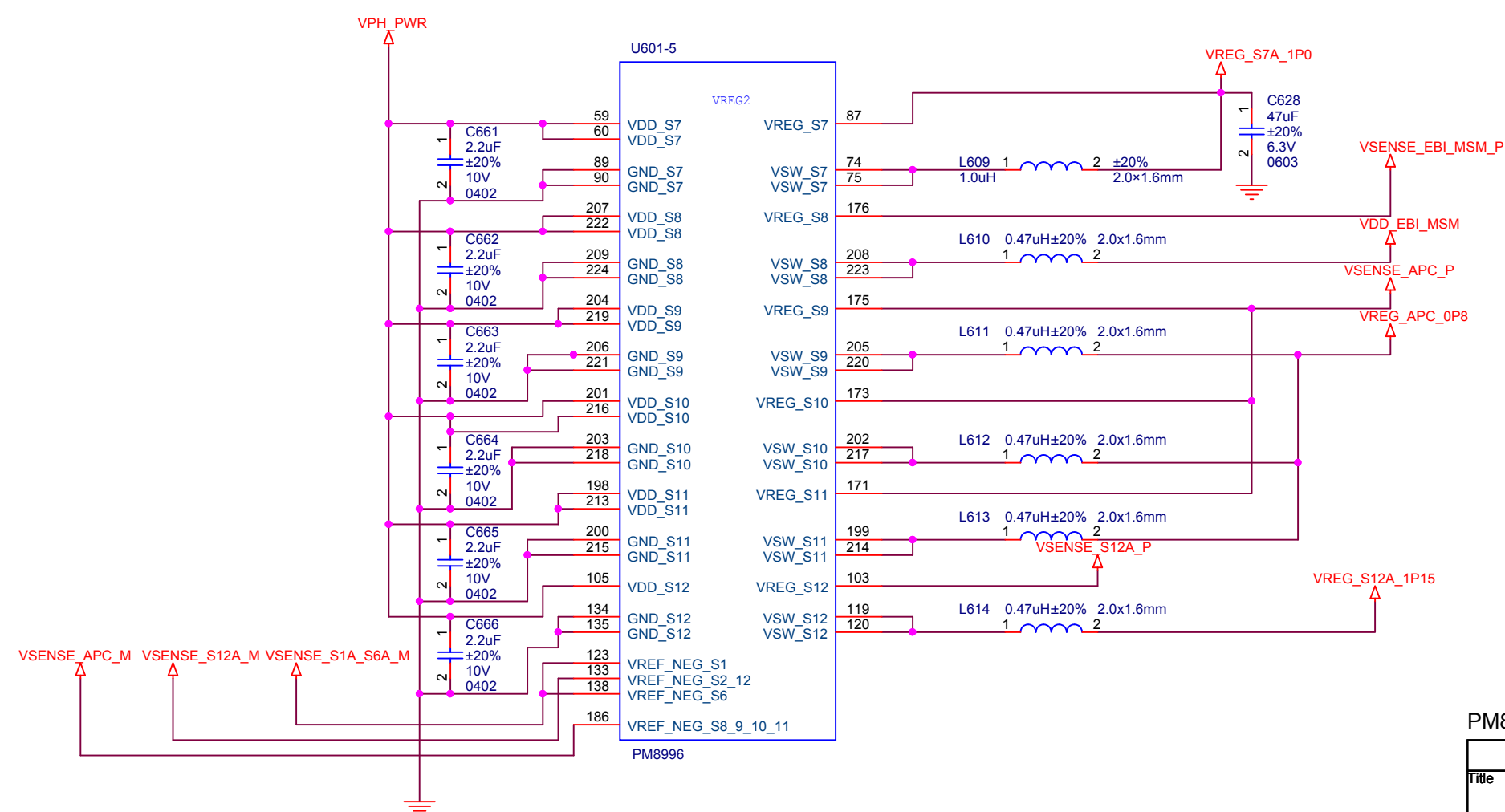
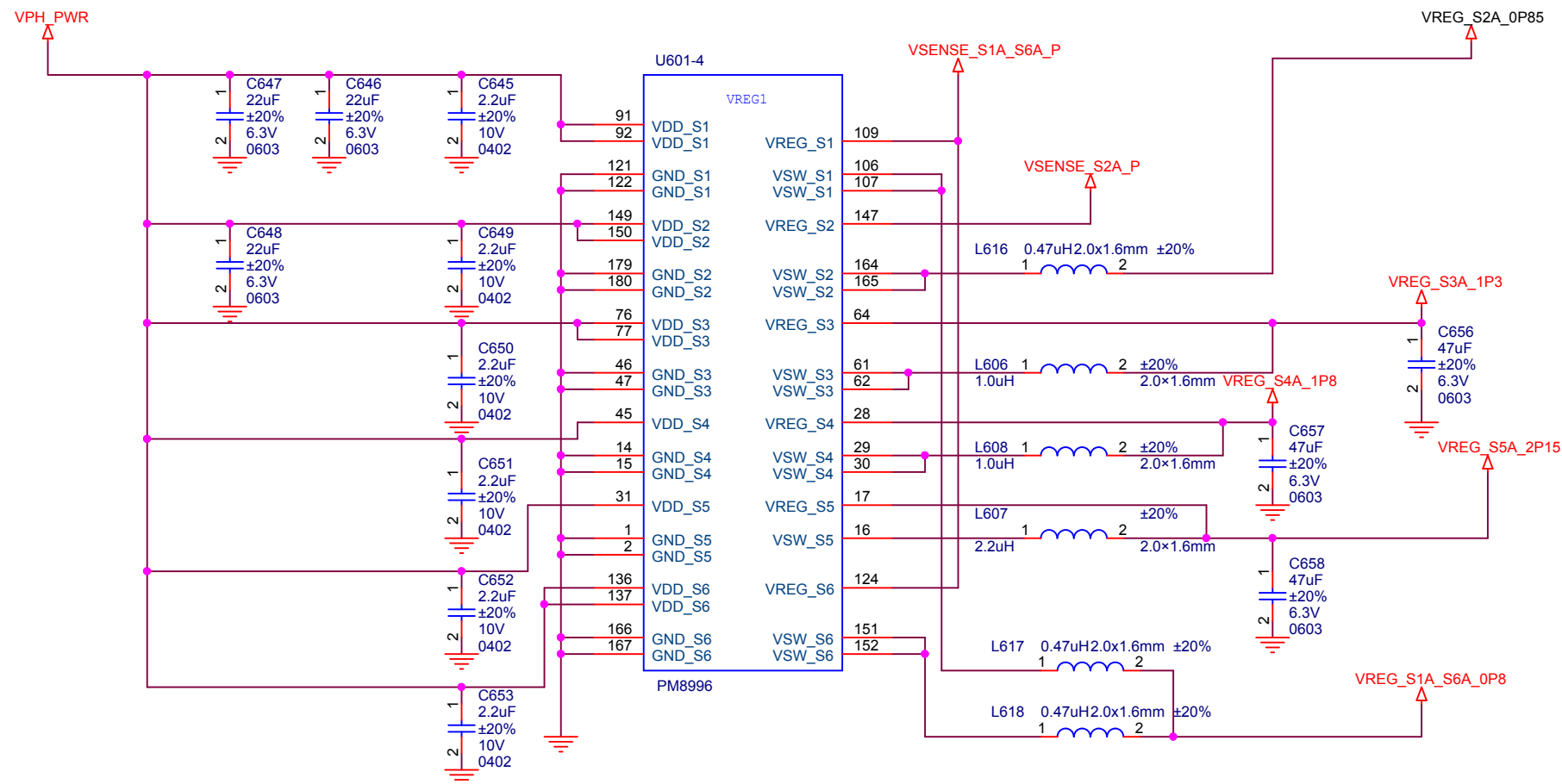
Title		
A1		
Size	Document Number	Rev
A3	<Doc>	PM
Date: Wednesday, December 09, 2015 Sheet 26 of 37		

<https://www.mobile-manuals.com/>



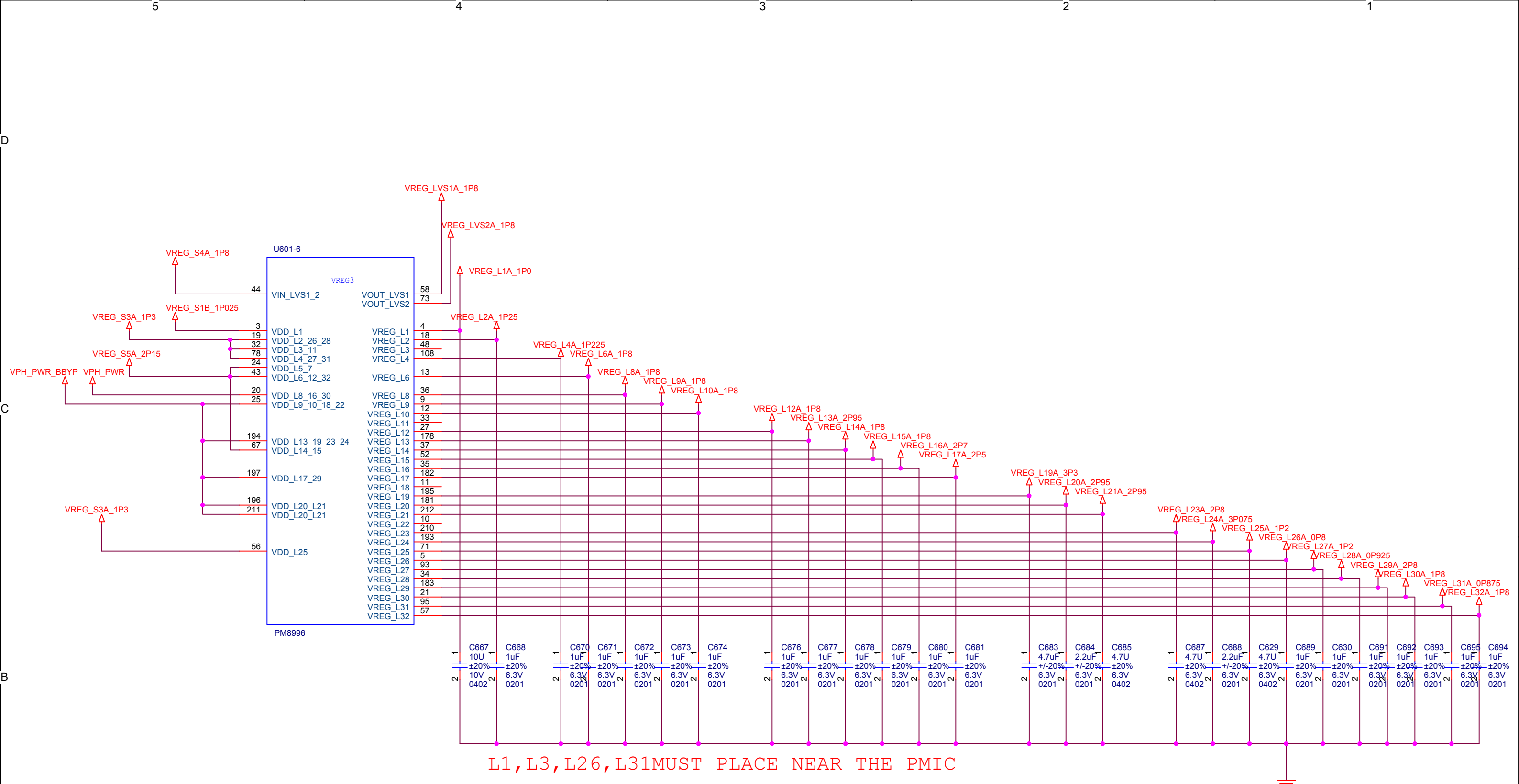
PM8996 GPIO

Title	
A1	
Size	Document Number
A3	<Doc>
Date: Wednesday, December 09, 2015 Sheet 27 of 37	



PM8996 VREG

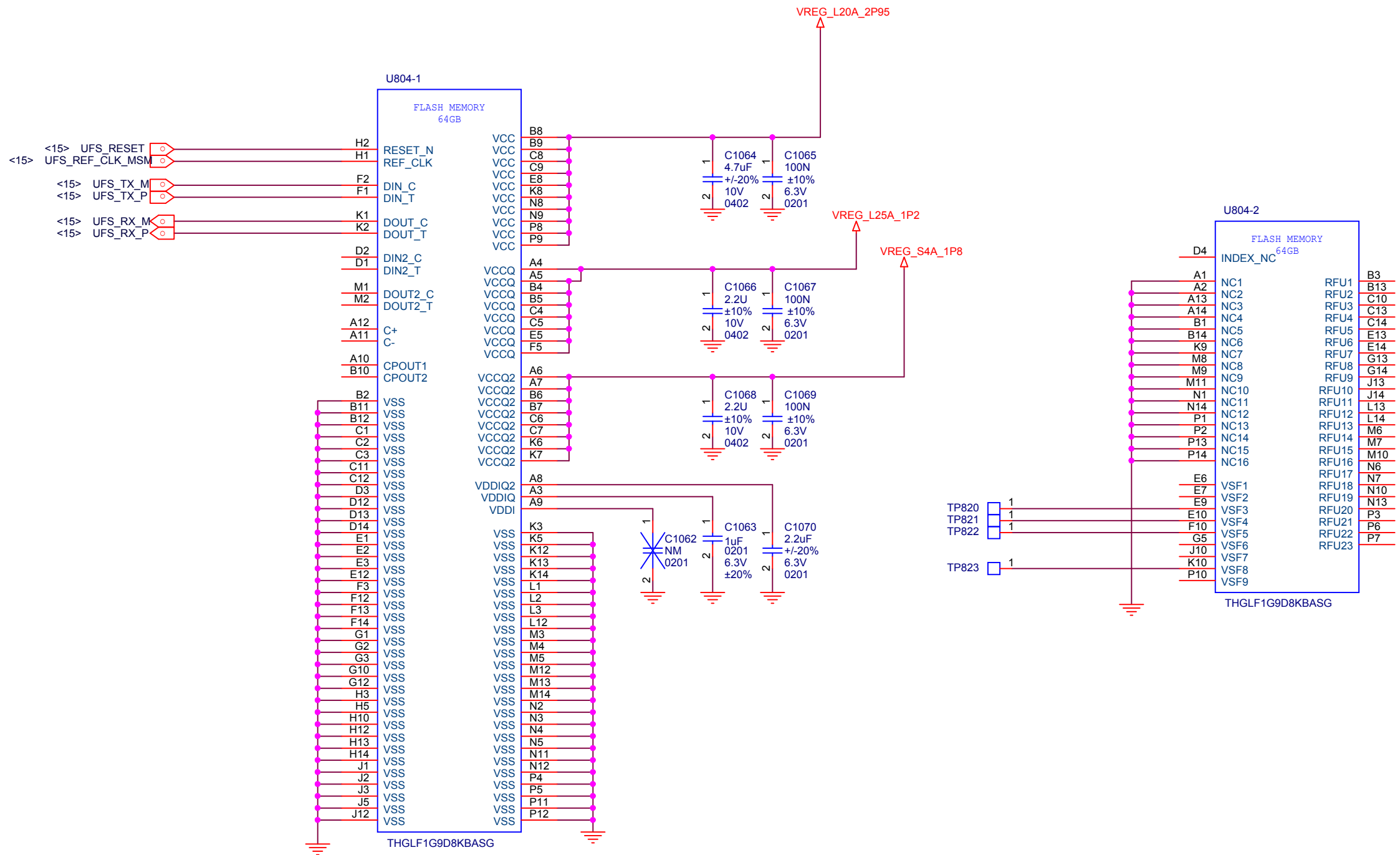
Title A1		
Size A3	Document Number <Doc> https://www.mobile-manuals.com/	Rev <Rev>
Date: Wednesday, December 09, 2015	Sheet 28	of 37



L1, L3, L26, L31 MUST PLACE NEAR THE PMIC

PM8996 LDO

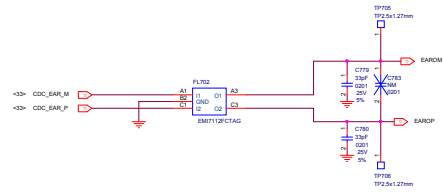
Title	A1
Size	A3
Document Number	<Doc>
Date:	Wednesday, December 09, 2015
Sheet	29 of 37



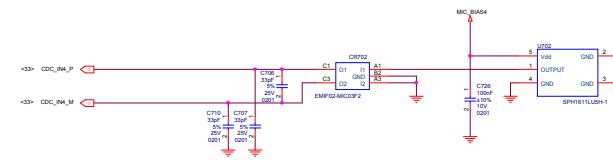
MEMORY UFS

Title		A1	
Size	A3	Docu	Number
Date:		Wednesday, December 09, 2015	
Sheet	30	of	37

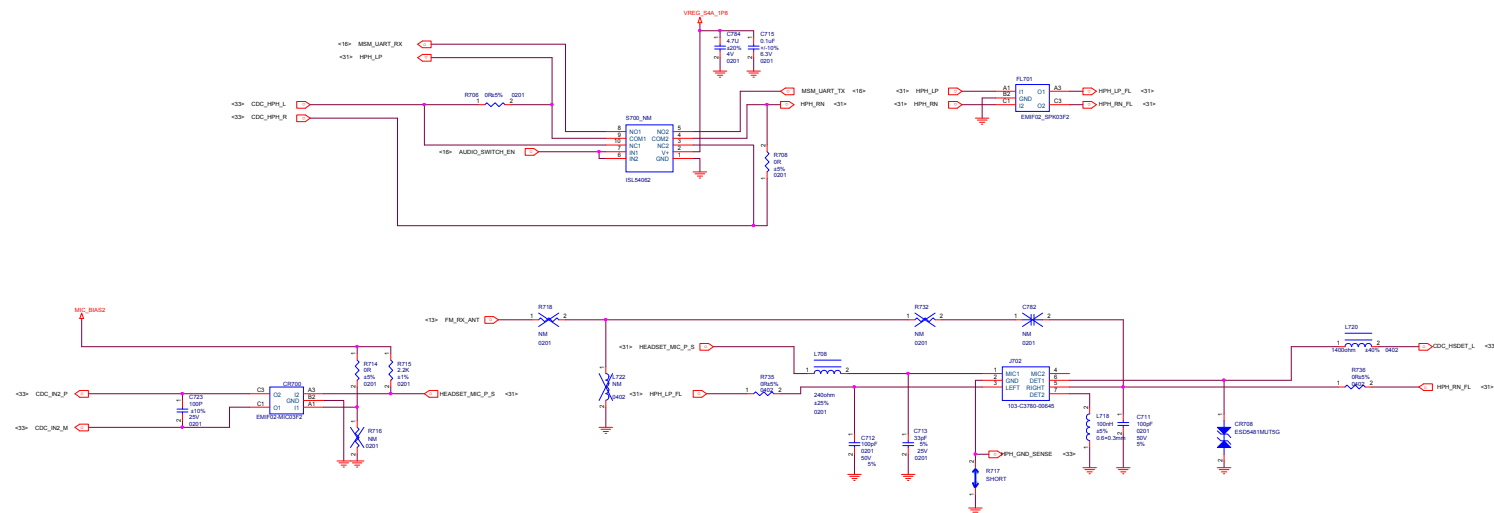
HANDSET



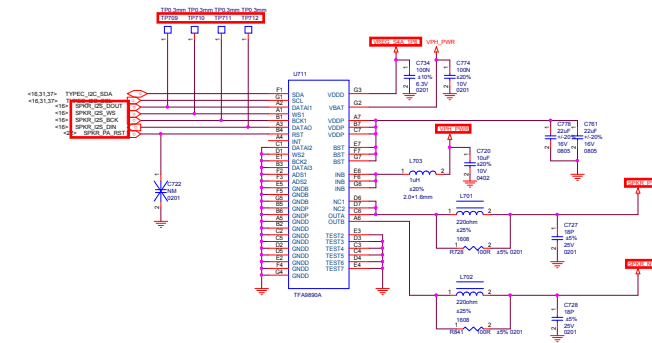
AUX Mic2



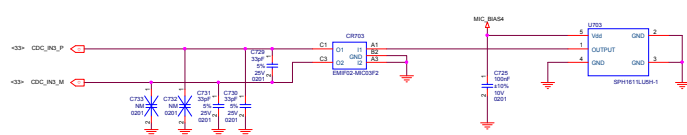
HEADSET



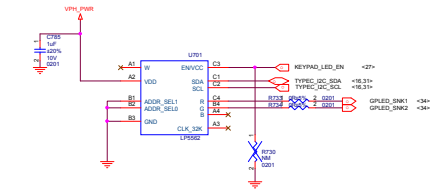
Speaker PA



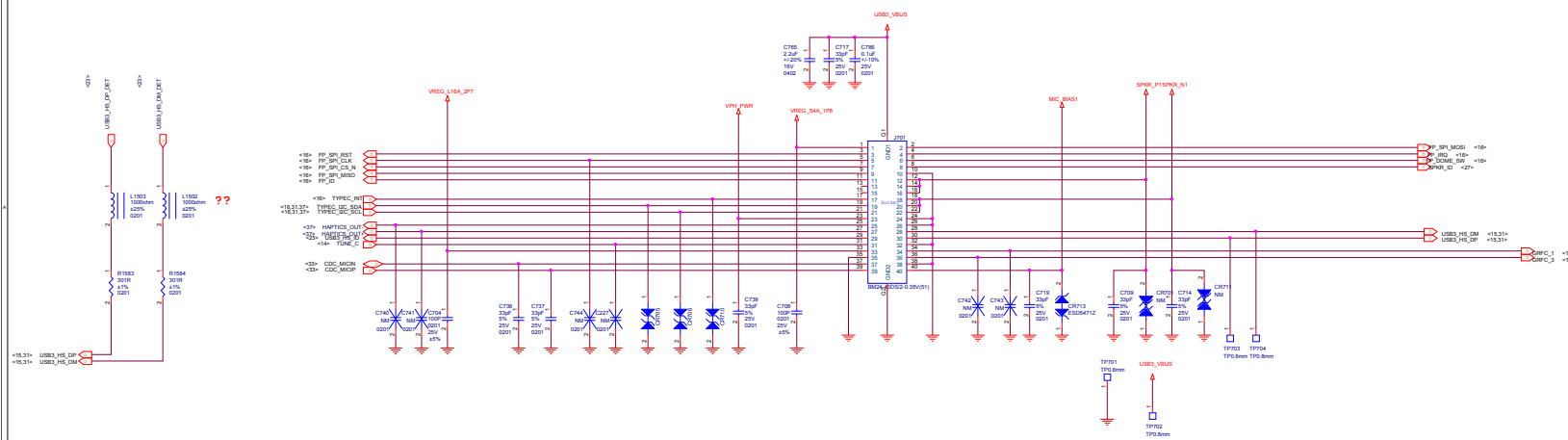
AUX Mic1

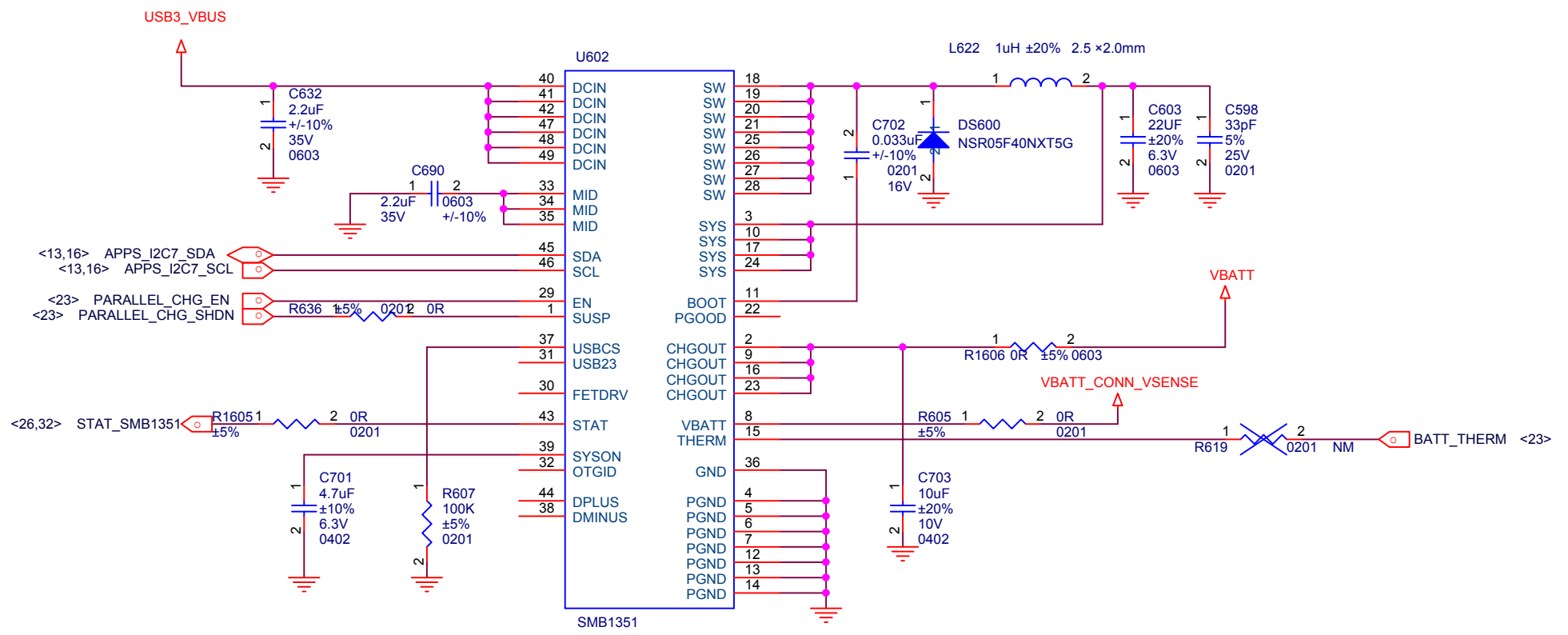


KEYPAD LED DRIVER



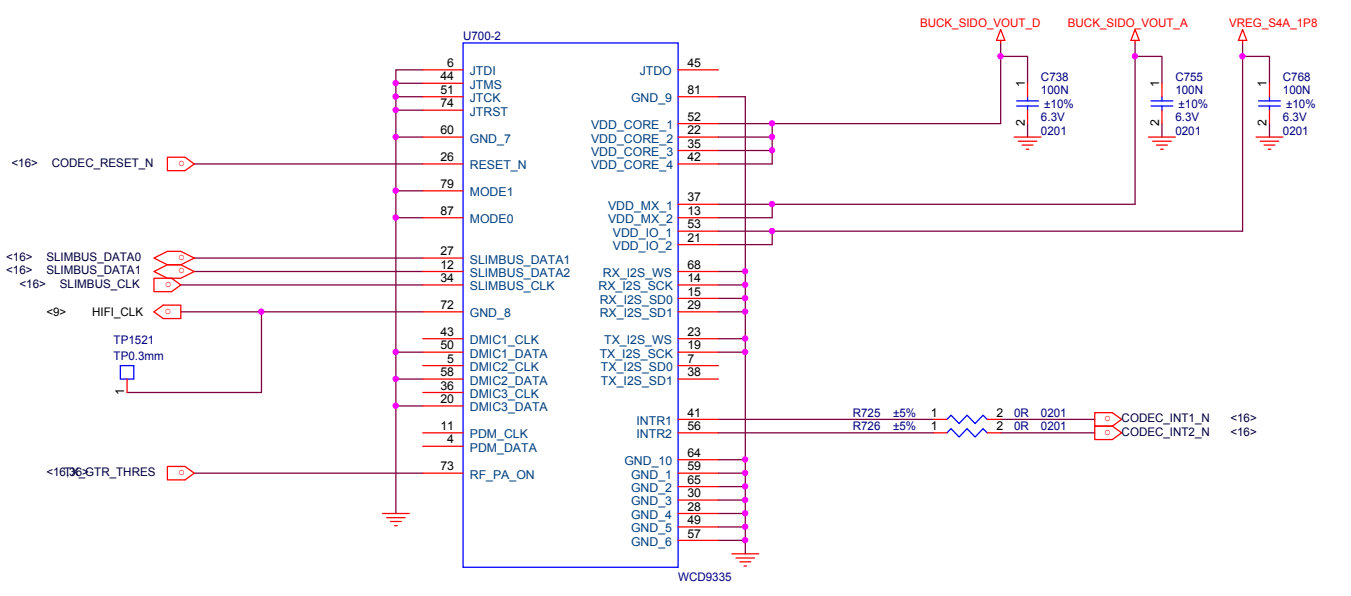
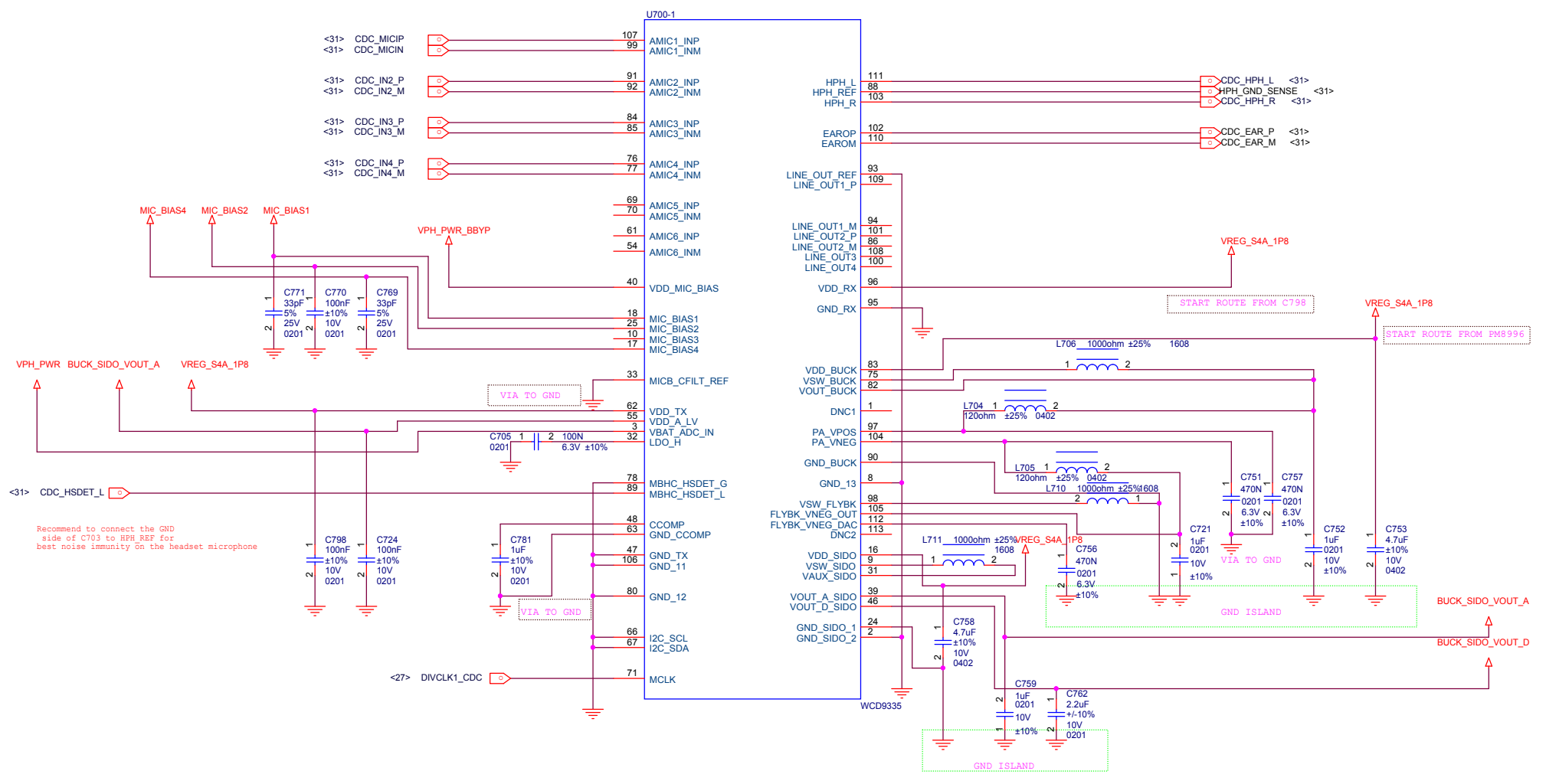
Bottom fpc Connector



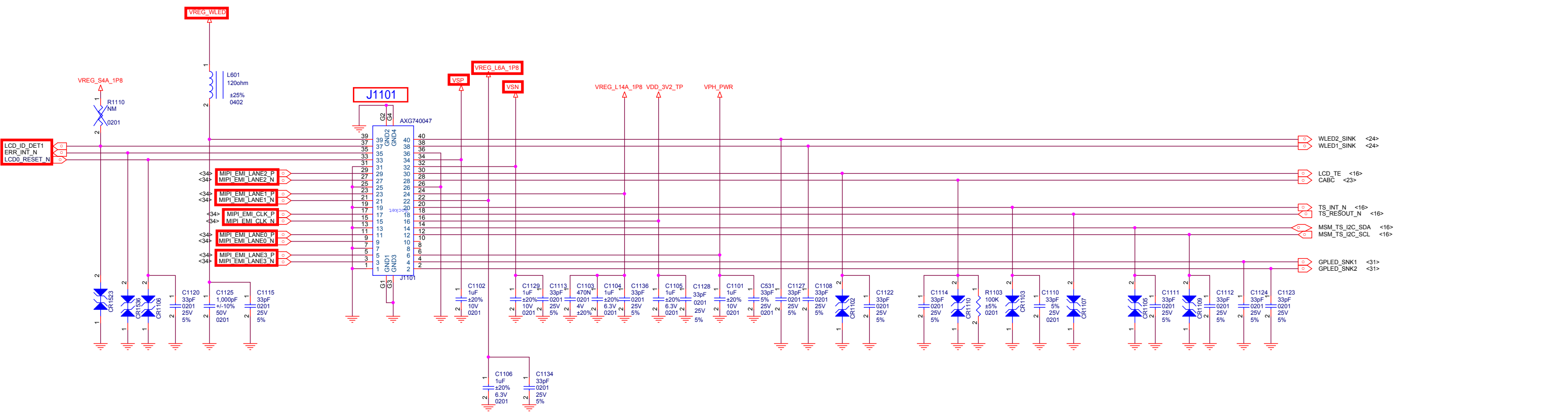
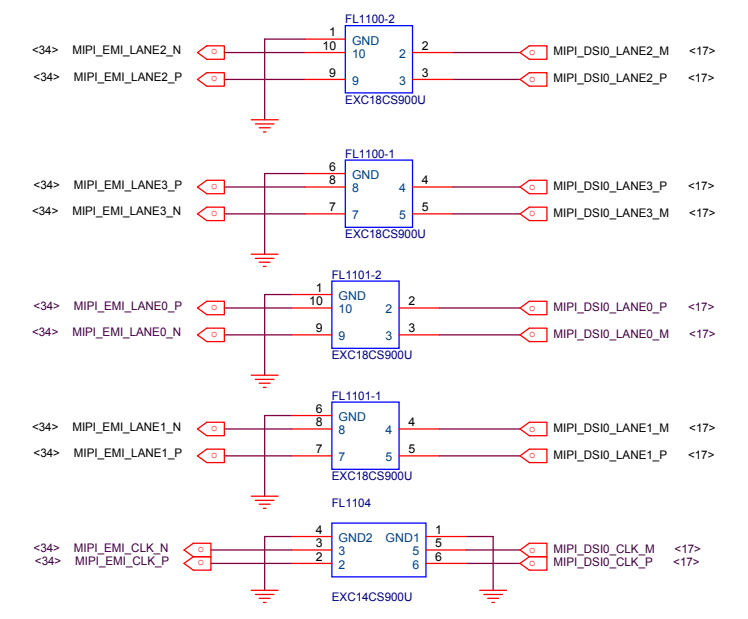
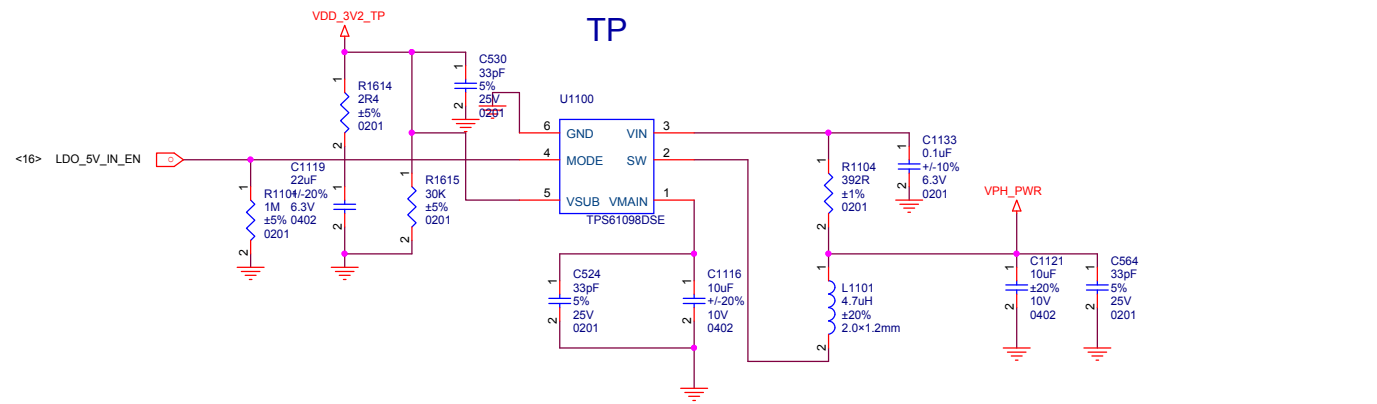


SMB1357 CHARGER

Title		A1	
Size	A3	Doc Number	<Doc>
Date:	Wednesday, December 09, 2015	Sheet	32 of 37

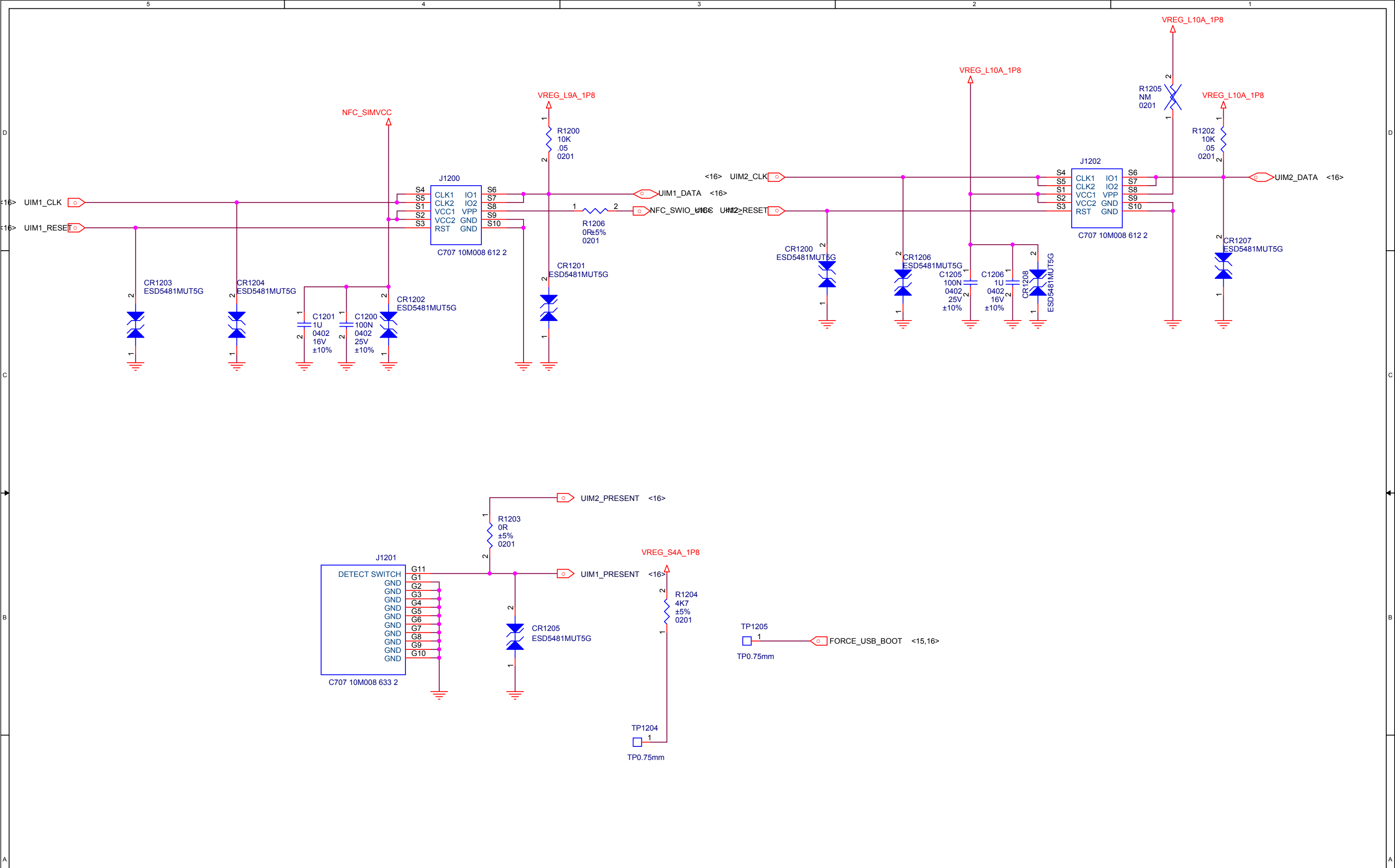


WCD9335

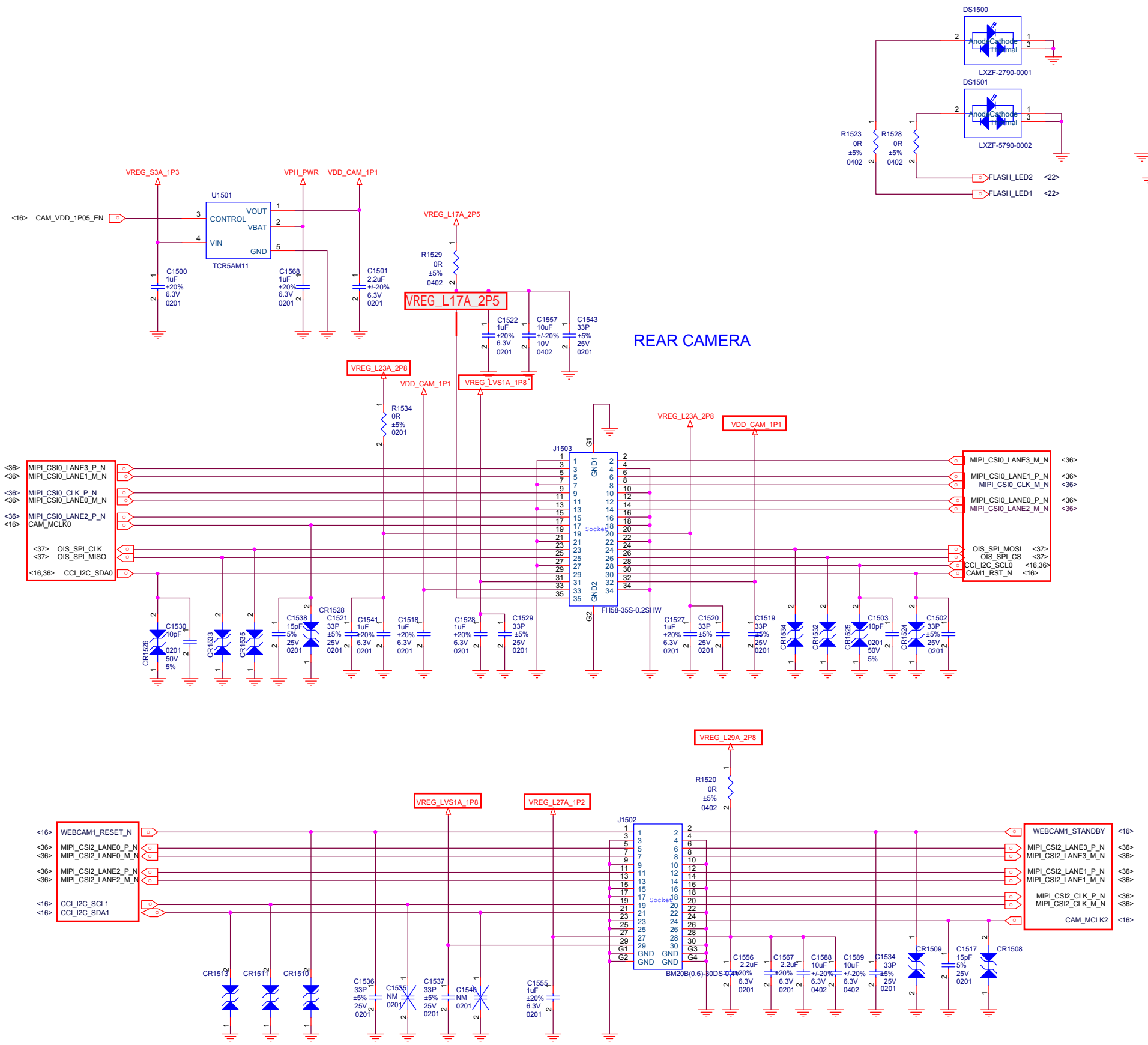


LCD			
XIAO MI			
Title	A1		
Size	Document Number	Rev	
A2/	LCD	R0	
Date:	Wednesday, December 09, 2015	Sheet	34 of 37

<https://www.mobile-manuals.com/>

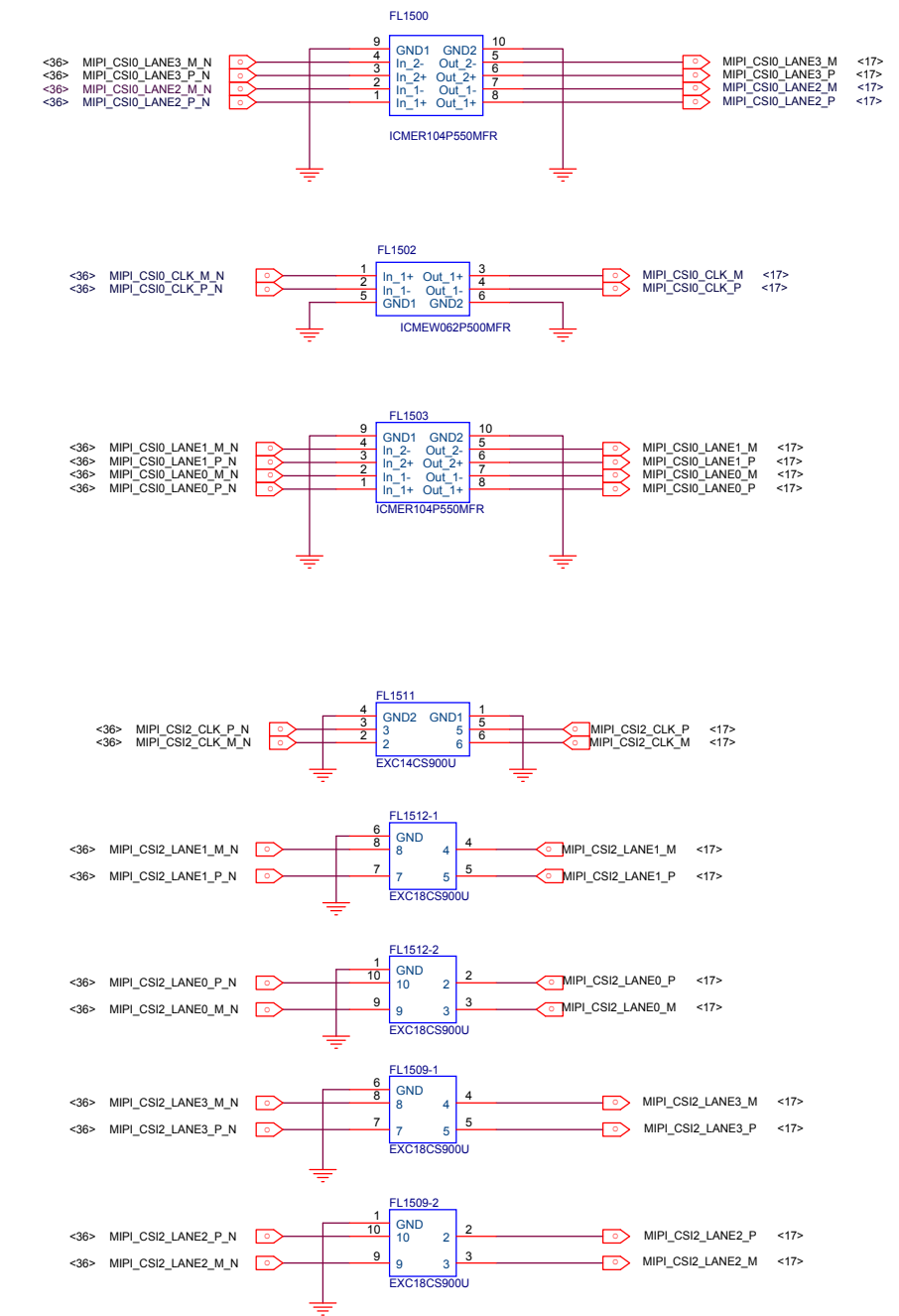


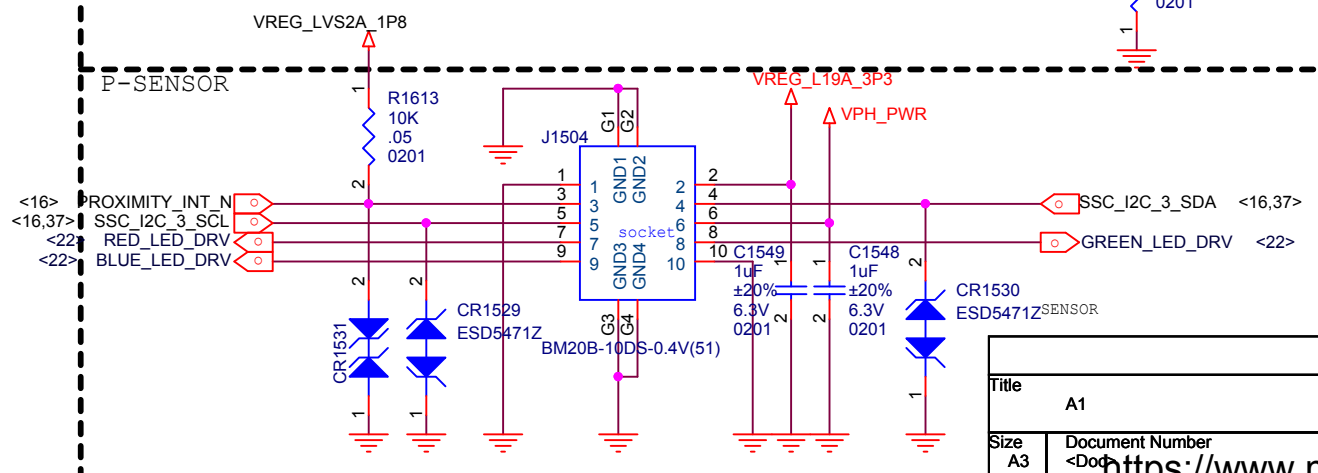
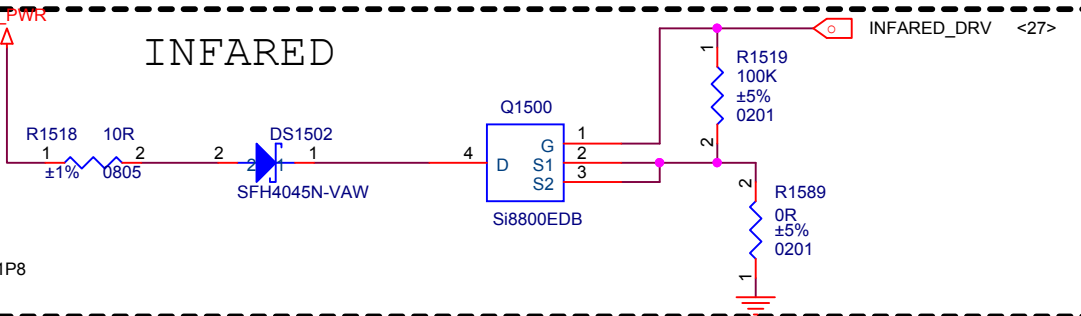
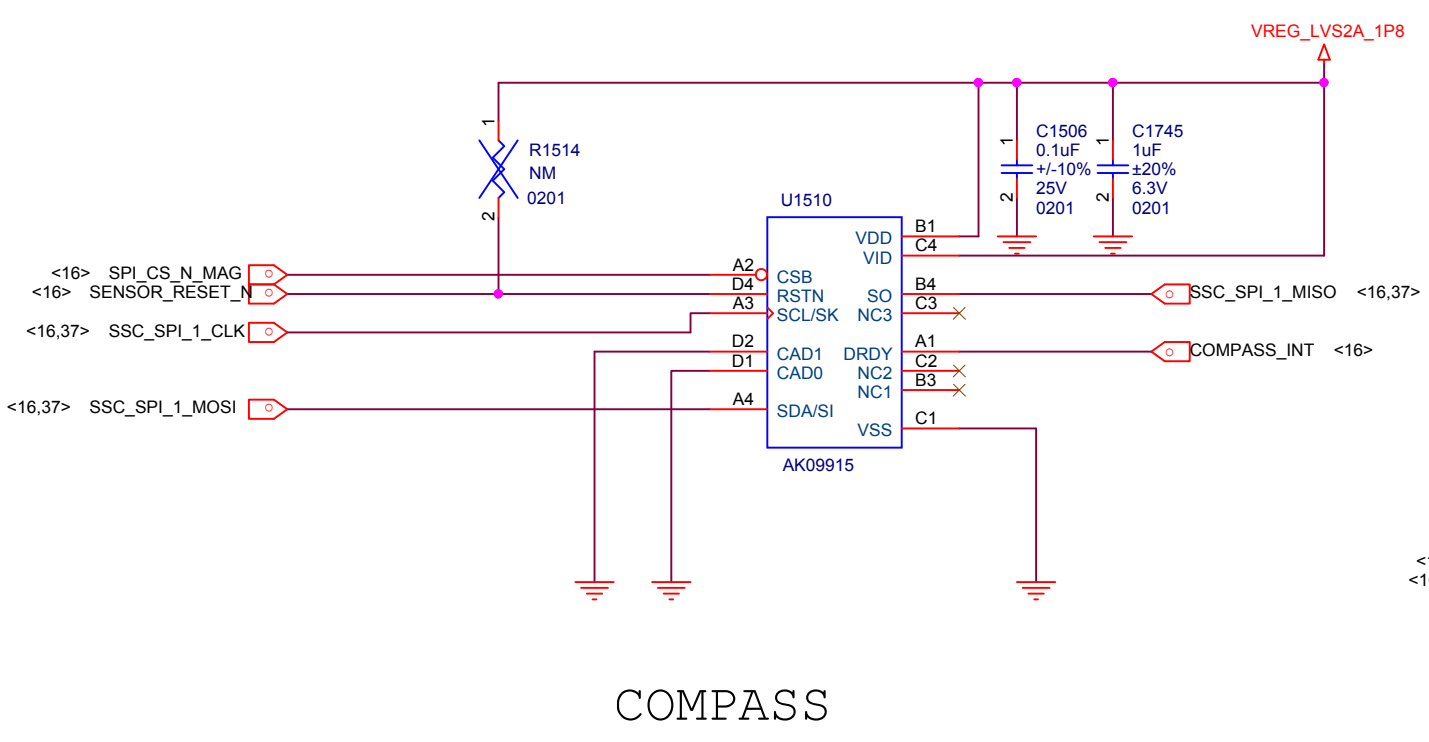
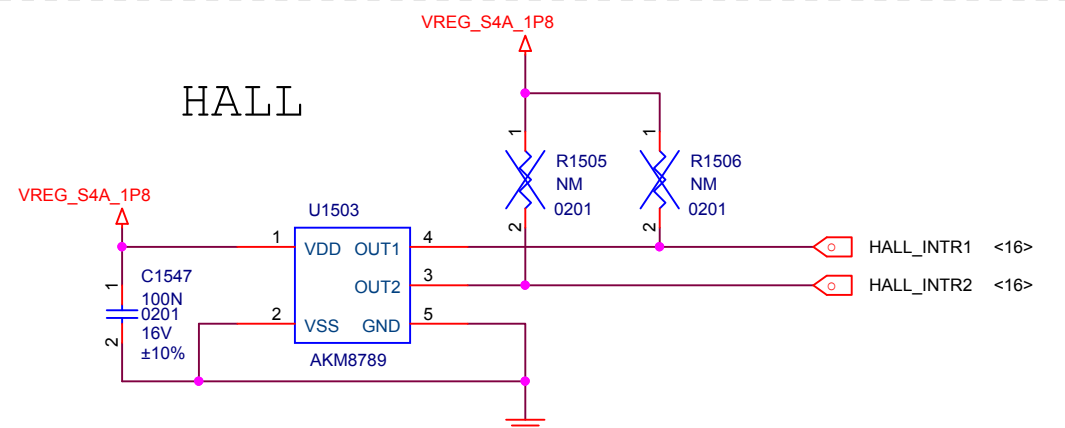
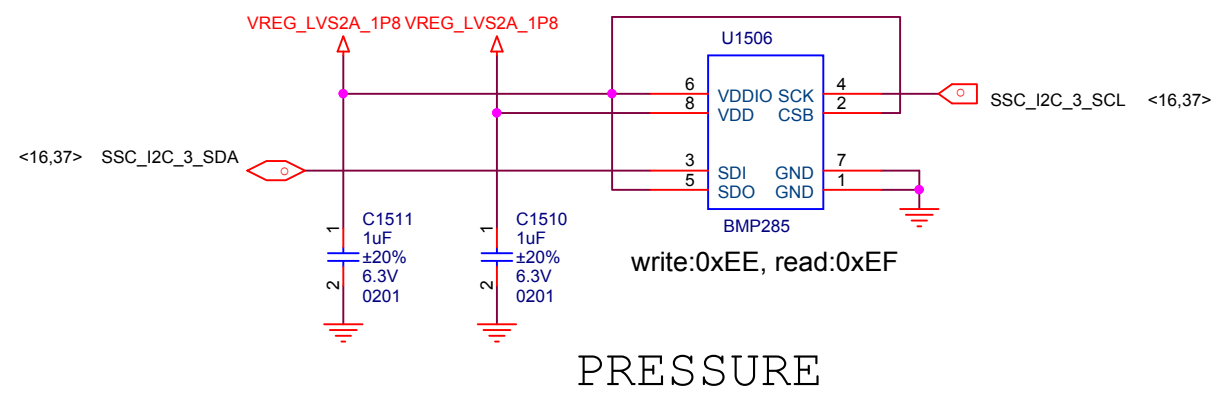
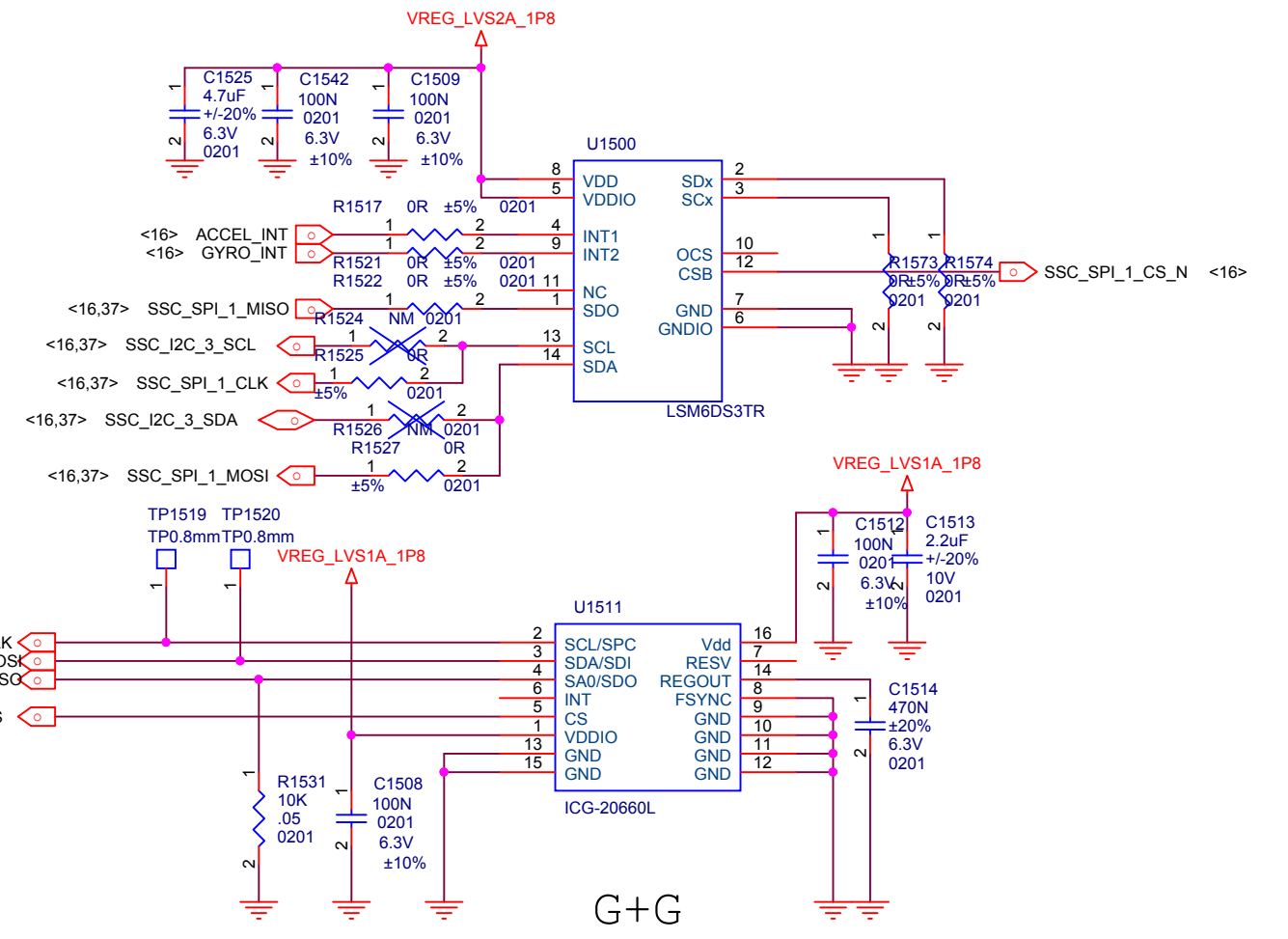
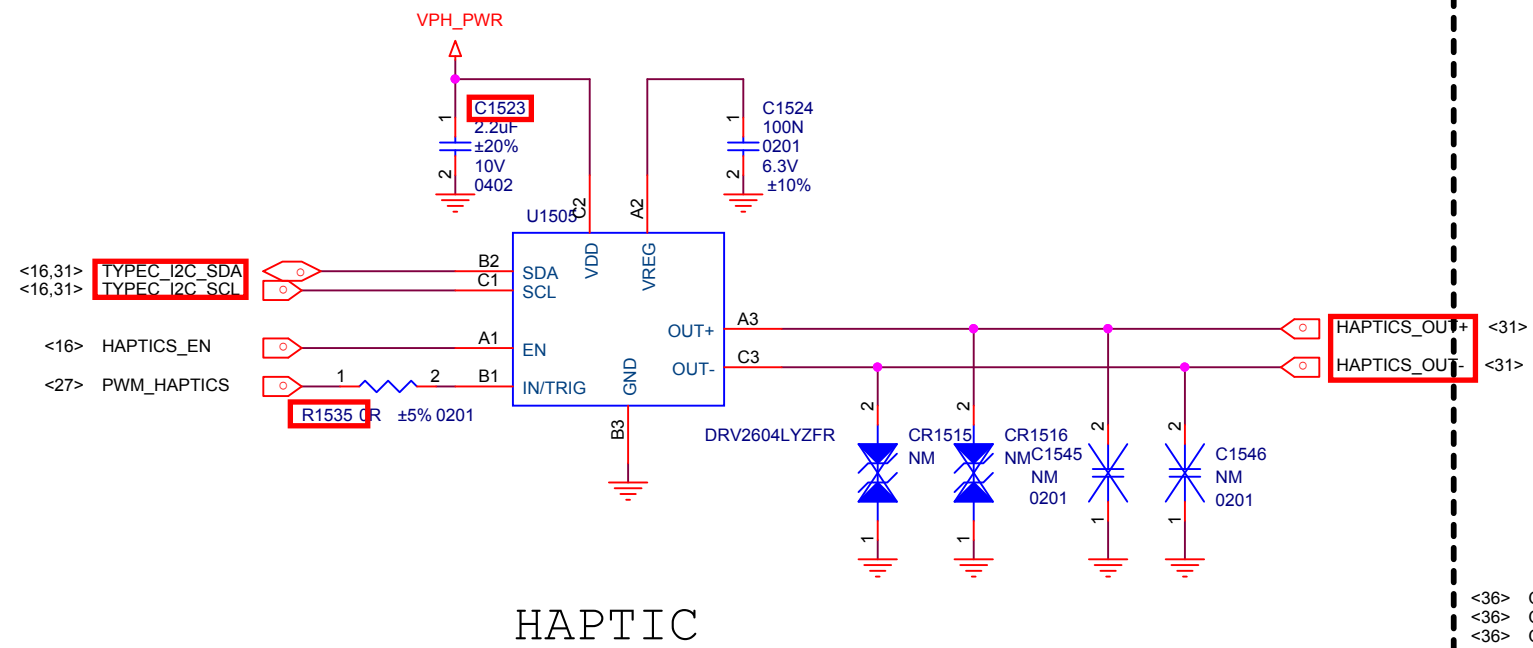
SIM CONNECTOR		
XIAO MI		
Title A1		
Size A3	Document Number https://www.mobile-manuals.com	Rev P0
Date:	Sheet 35 of 37	



REAR CAMERA

FRONT CAMERA





Title		
A1		
Size	Document Number	Rev
A3	<Doc>	P
Date:	https://www.mobile-manuals.com/	
Sheet		37 of 37