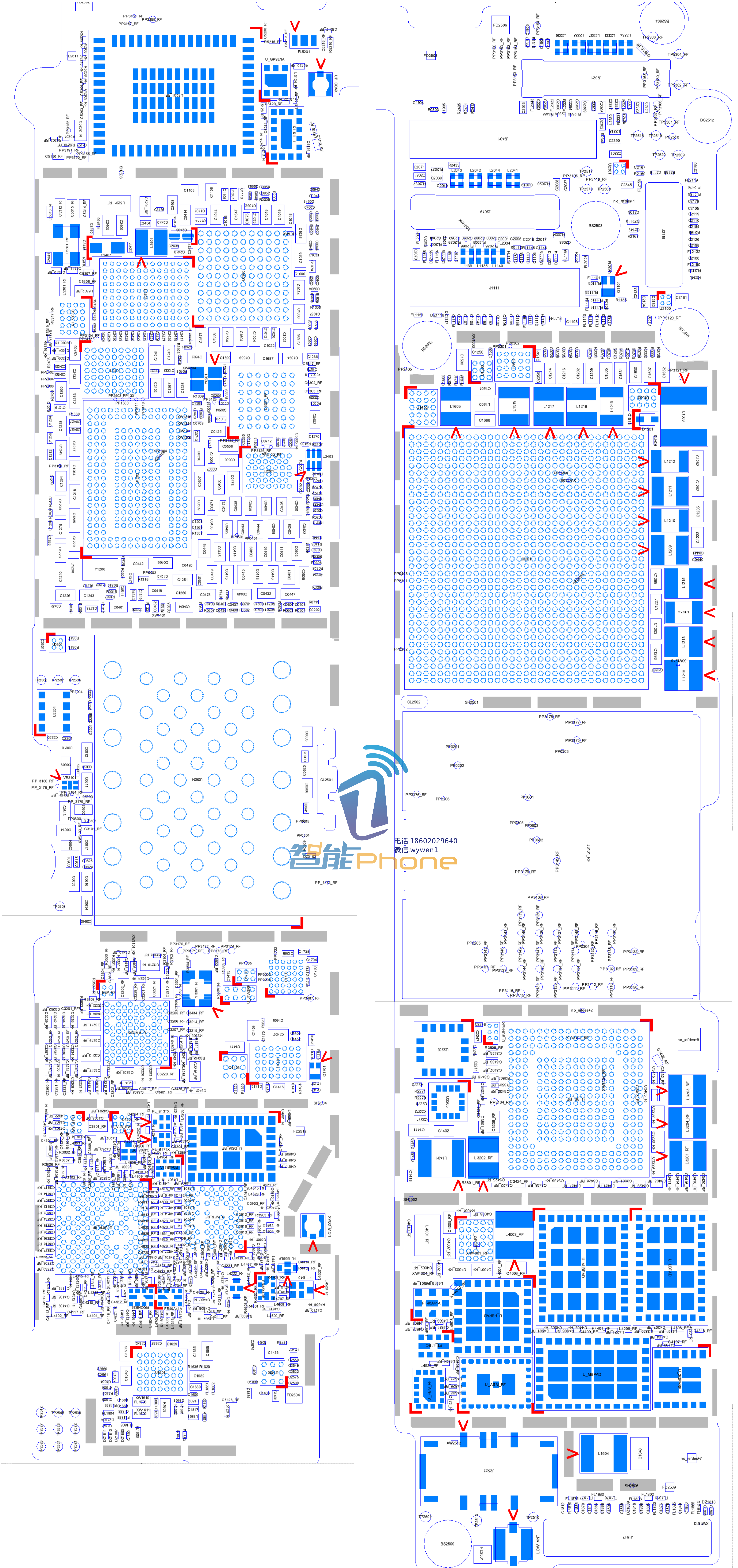


iphone6 4.7



1. ALL RESISTANCE VALUES ARE IN OHMS, 0.1WATT+/-%
2. ALL CAPACITANCE VALUES ARE IN MICROFARADS.
3. ALL CRYSTALS & OSCILLATOR VALUES ARE IN HERTZ.

REV	ECN	DESCRIPTION OF REVISION	CK APPD	DATE
7	0002727241	ENGINEERING RELEASED		2014-04-18

N61 CARRIER BUILD

PDF PAGE	CONTENTS		
2	SOC:MAIN	N56_MLB	08/29/2013
3	SOC:I/OS	N56_MLB	08/29/2013
4	SOC:VDDCA,VDD1/2,VDD,VDD_CPU,VDD_GPU	N56_MLB	08/29/2013
5	SOC:GND,VDDIO18,VDDIOD,VDD_VAR_SOC	N56_MLB	08/29/2013
6	SOC:NAND	N56_MLB	08/29/2013
7	SOC:CAM,LCD,LDPD,PCIE	N56_MLB	08/29/2013
8	IO:BUTTON FLEX CONN	N61_MLB	08/26/2013
9	AUDIO:L67 CODEC (1/2)	N61_MLB	08/26/2013
10	AUDIO:L67 CODEC (2/2)	N61_MLB	08/26/2013
11	CAMERA:FRONT FLEX CONN	N61_MLB	08/26/2013
12	POWER:ADI (1/2)	N56_MLB	08/29/2013
13	POWER:ADI (2/2)	N56_MLB	08/29/2013
14	POWER:TIGRISR,VIBE DRIVER	N61_MLB	08/21/2013
15	DISPLAY:CHESTNUT,BACKLIGHT DRIVER	N61_MLB	08/26/2013
16	AUDIO:SPKR AMP,STROBE	N61_MLB	08/26/2013
17	IO:TRISTAR2	N61_MLB	08/26/2013
18	IO:DOCK FLEX CONN	N61_MLB	08/26/2013
19	SENSORS:COMPASS	N61_MLB	08/26/2013
20	DISPLAY:FLEX CONN	N61_MLB	08/26/2013
21	SENSORS:MESA FLEX CONN	N61_MLB	08/26/2013
22	SENSORS:OSCAR,CARBON,PHOS,MAGNESIUM	N61_MLB	08/26/2013
23	CAMERA:REAR FLEX CONN	N61_MLB	08/26/2013
24	TOUCH:CUMULUS,MESON	N/A	N/A
25	POWER:BATT CONN,TPS,PD FEATURES	N61_MLB	08/26/2013
26	SYSTEM:VOLTAGE PROPERTIES	N56_MLB	09/10/2013
27	SYSTEM:N61 SPECIFIC	N56_MLB	09/10/2013
28	BLANK	N56_MLB	09/10/2013
29	CELL:ALIASES		
30	AP INTERFACE & DEBUG CONNECTORS	N61_RADIO_MLB	03/24/2014
31	BASEBAND PMU (1 OF 2)	N61_RADIO_MLB	03/24/2014
32	BASEBAND PMU (2 OF 2)	N61_RADIO_MLB	03/24/2014
33	BASEBAND (1 OF 2)	N61_RADIO_MLB	03/24/2014
34	BASEBAND (1 OF 2)	N61_RADIO_MLB	03/24/2014
35	MOBILE DATA MODEM (2 OF 2)	N61_RADIO_MLB	03/24/2014
36	RF TRANSCEIVER (1 OF 3)	N61_RADIO_MLB	03/24/2014
37	RF TRANSCEIVER (2 OF 3)	N61_RADIO_MLB	03/24/2014
38	RF TRANSCEIVER (3 OF 3)	N61_RADIO_MLB	03/24/2014
39	QFE DCDC	N61_RADIO_MLB	03/24/2014
40	2G PA	N61_RADIO_MLB	03/24/2014
41	VERY LOW BAND PAD	N61_RADIO_MLB	03/24/2014
42	LOW BAND PAD	N61_RADIO_MLB	03/24/2014
43	MID BAND PAD	N61_RADIO_MLB	03/24/2014
44	HIGH BAND PAD	N61_RADIO_MLB	03/24/2014
45	ANTENNA SWITCH	N61_RADIO_MLB	03/24/2014
46	HIGH BAND SWITCH	N61_RADIO_MLB	03/24/2014
47	RX DIVERSITY	N61_RADIO_MLB	03/24/2014
48	GPS	N61_RADIO_MLB	03/24/2014
49	GPS	N61_RADIO_MLB	03/24/2014
50	ANTENNA FEEDS	N61_RADIO_MLB	03/24/2014
51	WIFI/BT: MODULE AND FRONT END	N61_RADIO_MLB	03/24/2014
52		N61_RADIO_MLB	03/24/2014
53	JUMPER	N61_RADIO_MLB	03/24/2014
54	JUMPER	N61_RADIO_MLB	03/24/2014

NAND BOM OPTIONS

PART#	QTY	DESCRIPTION	REFERENCE DESIGNATOR(S)	CRITICAL	BOM OPTION
335S0998	1	NAND,19NM,16GX8,MLC,PPN1.5	U0604	CRITICAL	NAND_16G
335S0993	1	NAND,19NM,32GX8,MLC,PPN1.5	U0604	CRITICAL	NAND_32G
335S0994	1	NAND,19NM,64GX8,MLC,PPN1.5	U0604	CRITICAL	NAND_64G
335S00010	1	NAND,19NM,128GX8,TLC,PPN1.5	U0604	CRITICAL	NAND_128G
138S0867	1	CAP,XSR,10UF,20%,6.3V,0.65MM,HRTZ,0402	C0610,C0611,C0614,C0634	CRITICAL	NAND_16G
138S0867	1	CAP,XSR,10UF,20%,6.3V,0.65MM,HRTZ,0402	C0613,C0633,C0610,C0611,C0614,C0634	CRITICAL	NAND_32G & NAND_64G
138S00003	1	CAP,XSR,15UF,20%,6.3V,0.65MM,HRTZ,0402	C0613,C0633,C0610,C0611,C0614,C0634	CRITICAL	NAND_128G

ALTERNATE NAND BOM OPTIONS

PART NUMBER	ALTERNATE FOR PART NUMBER	BOM OPTION	REF DES	COMMENTS:
335S0992	335S0998	ALTERNATE	J0604	TOSHIBA,NAND,16GB
335S1038	335S0998	ALTERNATE	J0604	HYNIX,NAND,16GB
335S1040	335S0994	ALTERNATE	J0604	HYNIX,NAND,64GB
335S00014	335S0994	ALTERNATE	J0604	TOSHIBA,NAND,64GB
335S00015	335S00010	ALTERNATE	J0604	TOSHIBA,NAND128GB
335S00009	335S0994	ALTERNATE	J0604	SANDISK,NAND,64GB,TLC

SHIELD BOM OPTIONS

PART#	QTY	DESCRIPTION	REFERENCE DESIGNATOR(S)	CRITICAL	BOM OPTION
604-00241	1	SUBASSY, SHIELD, UPPER FRONT, N61	SH2501	CRITICAL	COMMON
604-00242	1	SUBASSY, SHIELD, LOWER FRONT, N61	SH2502	CRITICAL	COMMON
604-00243	1	SUBASSY, SHIELD, LOWER BACK, N61	SH2504	CRITICAL	COMMON
604-00244	1	SUBASSY, SA SHIELD, N61	SH2506	CRITICAL	COMMON

广西南宁功夫手机维修培训
修一切苹果 招天下学生
十年一线维修经验及教学经验

让学员们快速学会维修技术及原理分析
详情请加:
QQ: 343974077 翁老师电话:13737083768
QQ: 344106191 王老师电话:13737070888

N61 BOM CALLOUTS

PART#	QTY	DESCRIPTION	REFERENCE DESIGNATOR(S)	CRITICAL	BOM OPTION
051-9903	1	SCH, MLB, N61	SCH	CRITICAL	?
820-3486	1	PCBF, MLB, N61	PCB	CRITICAL	?
825-6838	1	EEEE FOR 639-4237 16GB	EEEE_G16T	CRITICAL	EEEE_16G
825-6838	1	EEEE FOR 639-5838 32GB	EEEE_G16R	CRITICAL	EEEE_32G
825-6838	1	EEEE FOR 639-5839 64GB	EEEE_G16Q	CRITICAL	EEEE_64G
825-6838	1	EEEE FOR 639-00025 128GB	EEEE_G16N	CRITICAL	EEEE_128G
825-6838	1	EEEE FOR 639-00208 16GB	EEEE_F98F	CRITICAL	EEEE_16G_TDDLTE
825-6838	1	EEEE FOR 639-00209 32GB	EEEE_FQKQ	CRITICAL	EEEE_32G_TDDLTE
825-6838	1	EEEE FOR 639-00210 64GB	EEEE_FQJY	CRITICAL	EEEE_64G_TDDLTE
825-6838	1	EEEE FOR 639-00212 128GB	EEEE_FY9W	CRITICAL	EEEE_128G_TLC_TDDLTE

ALTERNATE BOM OPTIONS

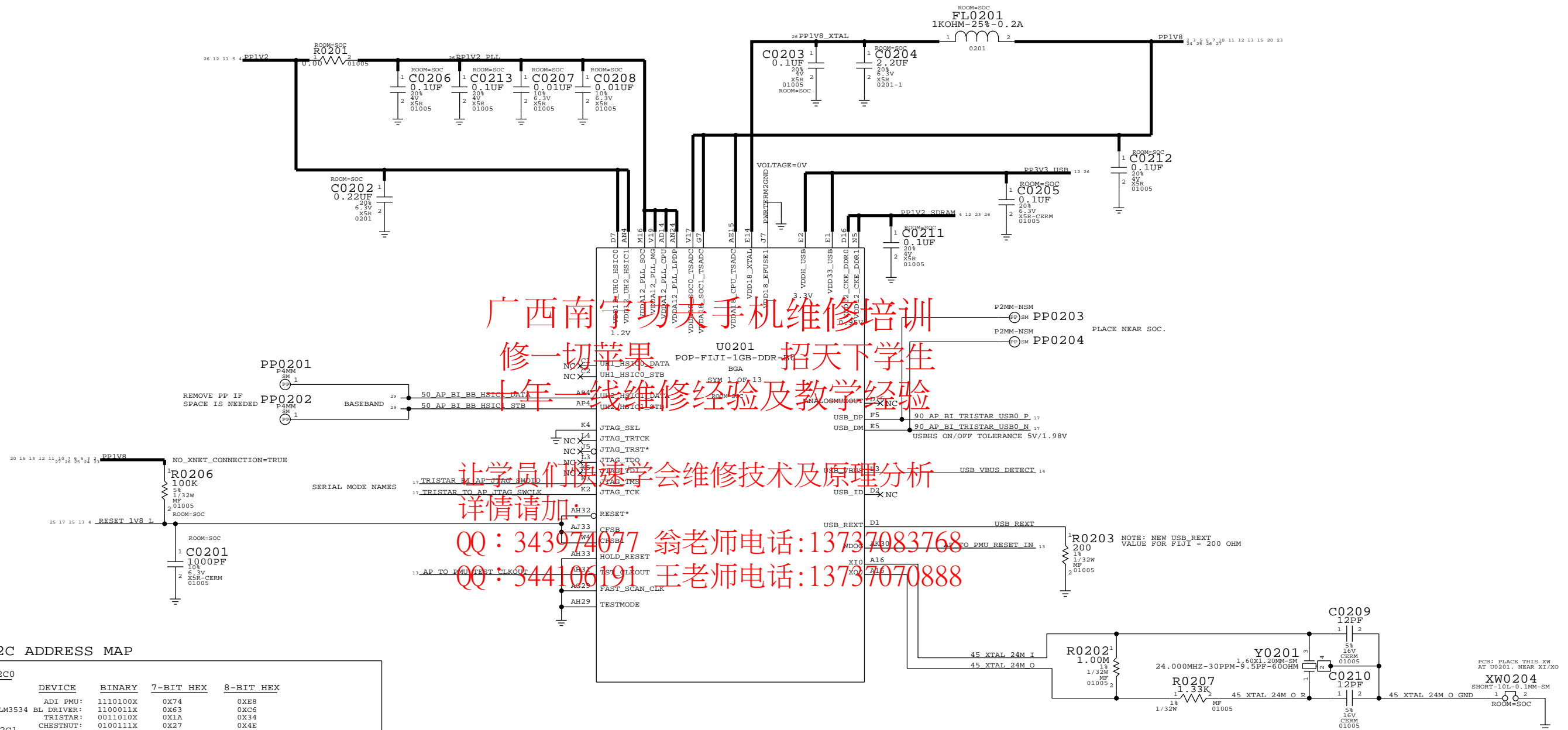
PART NUMBER	ALTERNATE FOR PART NUMBER	BOM OPTION	REF DES	COMMENTS:
152S1844	152S1836	ALTERNATE	L1604	TY ALT INDUCTOR
152S1842	152S1849	ALTERNATE	L1519	TY ALT INDUCTOR
197S0392	197S0369	ALTERNATE	Y1200	ESPON ALT XTAL
197S0399	197S0369	ALTERNATE	Y1200	NDK ALT XTAL
338S1285	338S1202	ALTERNATE	U1601	L21 SPKAMP
152S2034	152S2033	ALTERNATE		1.2MM 1.0UH, CYNTEC
152S00004	152S2049	ALTERNATE		1.2MM 0.47UH, CYNTEC
339S00005	339S0246	ALTERNATE	U0201	FIJI, B0, SAMSUNG
339S0247	339S0246	ALTERNATE	U0201	FIJI, B0, HYNIX
339S00006	339S0246	ALTERNATE	U0201	FIJI, B1, E
339S00007	339S0246	ALTERNATE	U0201	FIJI, B1, H
339S00008	339S0246	ALTERNATE	U0201	FIJI, B1, S
155S0773	155S0453	ALTERNATE		TY 1200HM FERRITE
118S0764	118S0717	ALTERNATE	R1309	3.92KOHM, 01005
343S0688	343S0638	ALTERNATE	U2401	CUMULUS C1, FAB4
138S00005	138S00003	ALTERNATE	C1290	15UF,0402,HRTZL CAP
155S00011	155S00008	ALTERNATE	L1135	CMC,90OHM,MURATA
377S0168	377S0140	ALTERNATE	DZ1133	SUPPL TRANS,VARIABLE,AMOTEC
155S0895	155S0610	ALTERNATE	FL1802,FL1809	FERRO 80,1500NM,200NM,01005
138S0648	138S0652	ALTERNATE	C1018	CAP,4.7UF,20%,6.3V,0402,8=0.65MM
138S0657	138S0702	ALTERNATE	C1106	CAP,4.7UF,20%,4V,0402
338S00028	338S00017	ALTERNATE	J2203	CARBON, B0SCH, BM1162BC
338S00029	338S00017	ALTERNATE	J2203	CARBON, ST, AP60S2AA
335S00013	335S0894	ALTERNATE	J0301	ST BK REFRON

SCH 051-9903
BRD 820-3486
MCO 056-6825

BOM 639-4237 (16GB, BETTER) BOM 639-00208 (16GB, BETTER, DTD)
 BOM 639-5838 (32GB, BEST) BOM 639-00209 (32GB, BEST, DTD)
 BOM 639-5839 (64GB, ULTRA) BOM 639-00210 (64GB, ULTRA, DTD)
 BOM 639-00025 (128GB, SUPREME, TLC) BOM 639-00212 (128GB, SUPREME, TLC, DTD)

DRAWING TITLE		SCHEM, MLB, N61	
Apple Inc.	DRAWING NUMBER	051-9903	SIZE D
	REVISION	7.0.0	
NOTICE OF PROPRIETARY PROPERTY:		BRANCH	
THE INFORMATION CONTAINED HEREIN IS THE PROPRIETARY PROPERTY OF APPLE INC. THE POSSESSOR AGREES TO THE FOLLOWING:		PAGE	1 OF 55
I TO MAINTAIN THIS DOCUMENT IN CONFIDENCE		SHEET	1 OF 54
II NOT TO REPRODUCE OR COPY IT			
III NOT TO REVEAL OR PUBLISH IT IN WHOLE OR PART			
IV ALL RIGHTS RESERVED			

FIJI: JTAG, USB, HSIC, XTAL



广西南宁 功夫手机维修培训
修一切苹果 招天下学生
十年一线维修经验及教学经验

让学员们快速学会维修技术及原理分析
详情请加:
QQ: 343974077 翁老师电话: 13737083768
QQ: 344106191 王老师电话: 13737070888

I2C ADDRESS MAP

I2C0	DEVICE	BINARY	7-BIT HEX	8-BIT HEX
I2C0	ADI PMU:	1110100X	0X74	0XE8
	LM3534 BL DRIVER:	1100011X	0X63	0XC6
	TRISTAR:	0011010X	0X1A	0X34
I2C1	CHESTNUT:	0100111X	0X27	0X4E
	TIGRIS CHARGER:	1110101X	0X75	0XEA
	LINEAR VIBE:	1011010X	0X5A	0XB4
	CS35L19B AMP:	1000000X	0X40	0X80
	MESA EEPROM (MEMORY):	1010110X	0X56	0XAC
MESA EEPROM (ID):	1011110X	0X5E	0XBC	
I2C2	CT814 ALS:	0101001X	0X29	0X52
	DISPLAY EEPROM:	1010001X	0X51	0XA2
RCAM I2C	OPEL STROBE DRIVER:	1100011X	0X63	0XC6
	REAR FACING CAM:	0010000X	0X10	0X20
	VCM AF DRIVER:	0001100X	0X0C	0X18
FCAM I2C	FRONT FACING CAM:	0010000X	0X10	0X20

NOTE: ACCEL, GYRO, COMPASS ALL USING SPI (VIA OSCAR) FOR AP COMMUNICATION.

SYNC MASTER=N56 MLB SYNC DATE=08/29/2013

SOC:MAIN

Apple Inc.

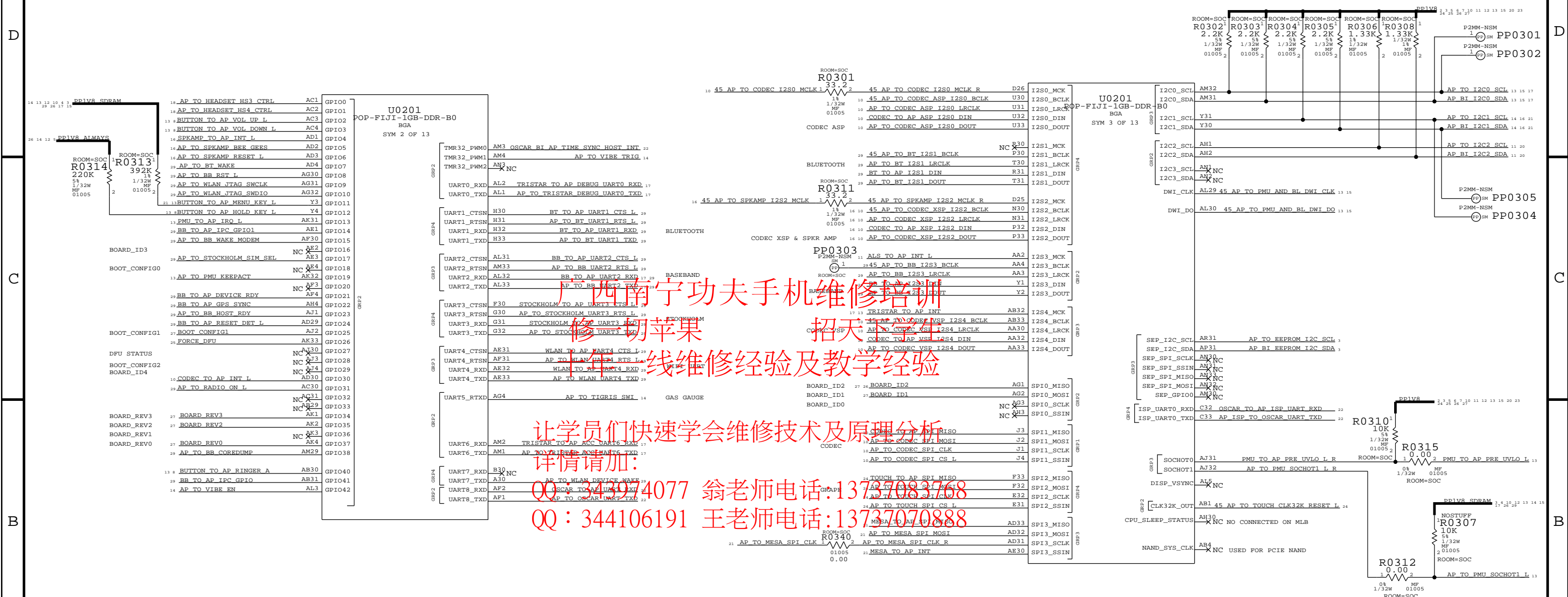
DRAWING NUMBER: 051-9903 SIZE: D

REVISION: 7.0.0

NOTICE OF PROPRIETARY PROPERTY: THE INFORMATION CONTAINED HEREIN IS THE PROPRIETARY PROPERTY OF APPLE INC. THE POSSESSOR AGREES TO THE FOLLOWING: I TO MAINTAIN THIS DOCUMENT IN CONFIDENCE II NOT TO REPRODUCE OR COPY IT III NOT TO REVEAL OR PUBLISH IT IN WHOLE OR PART IV ALL RIGHTS RESERVED

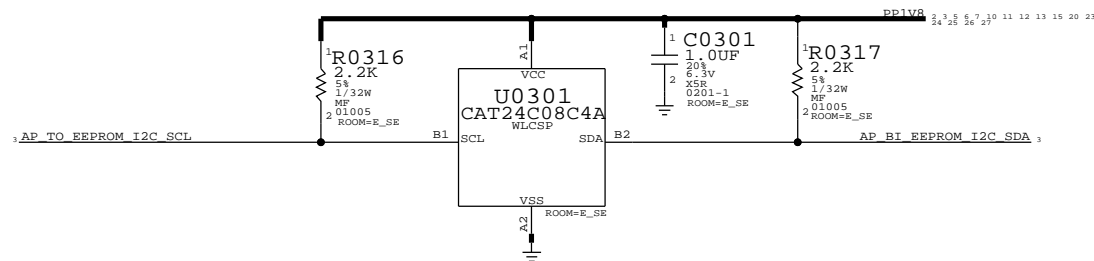
PAGE: 2 OF 55 SHEET: 2 OF 54

FIJI: DIGITAL I/O, BOOTSTRAPPING



ANTI-ROLLBACK EEPROM
 ONSEMI EEPROM
 APN: 335S0894

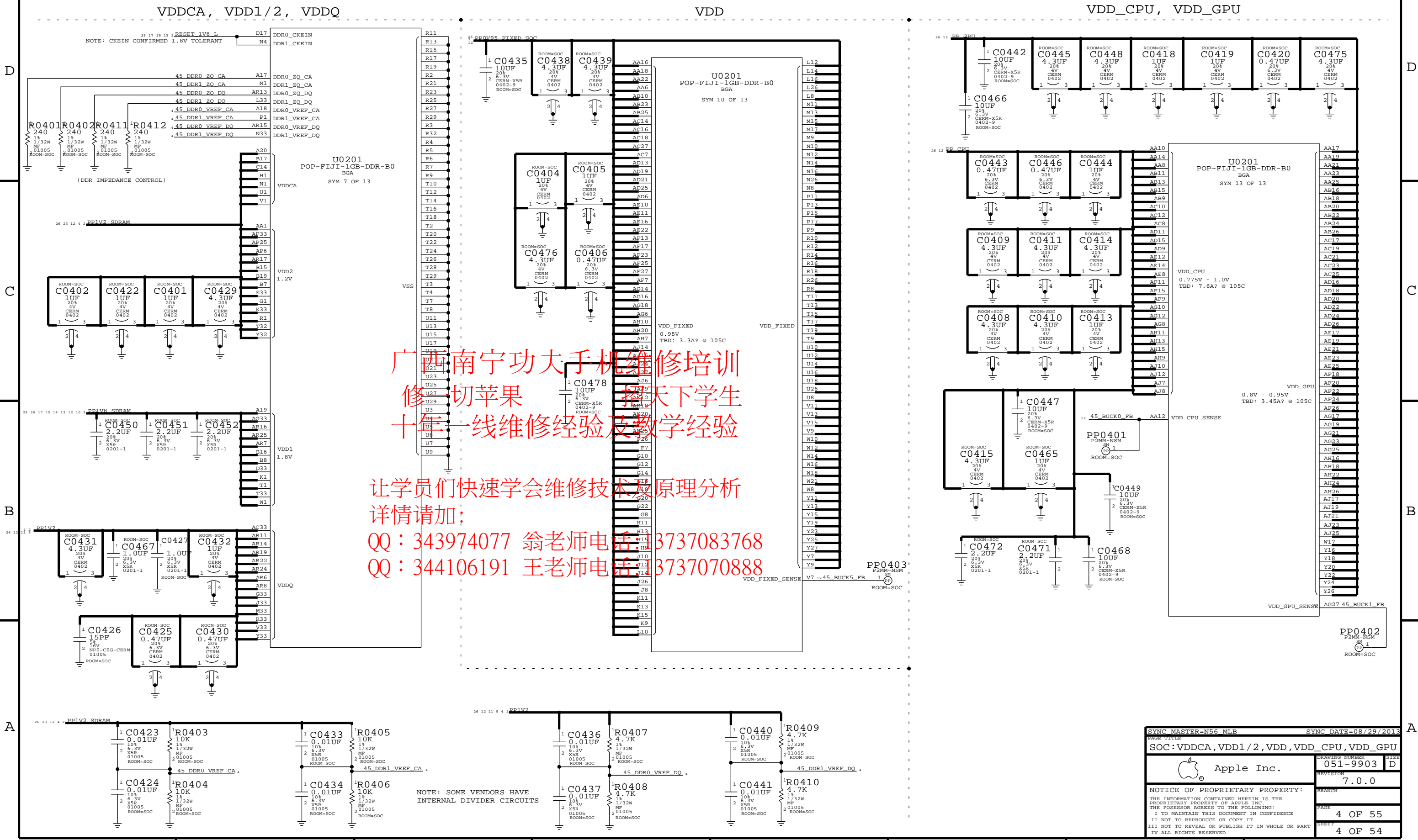
REMOVED HOLD + MENU KEY
 BUFFERS SINCE NOT NEEDED FOR FIJI



广西南宁功夫手机维修培训
 招天下学生
 修一切苹果
 手机维修经验及教学经验
 让学员们快速学会维修技术及原理分析
 详情请加:
 QQ: 342974077 翁老师电话: 13737083708
 QQ: 344106191 王老师电话: 13737070888

SYNC MASTER=N56 MLB		SYNC DATE=08/29/2013	
PAGE TITLE			
SOC: I/OS		DRAWING NUMBER	SIZE
Apple Inc.		051-9903	D
NOTICE OF PROPRIETARY PROPERTY:		REVISION	
THE INFORMATION CONTAINED HEREIN IS THE PROPRIETARY PROPERTY OF APPLE INC. THE POSSESSOR AGREES TO THE FOLLOWING:		7.0.0	
I TO MAINTAIN THIS DOCUMENT IN CONFIDENCE		PAGE	
II NOT TO REPRODUCE OR COPY IT		3 OF 55	
III NOT TO REVEAL OR PUBLISH IT IN WHOLE OR PART		SHEET	
IV ALL RIGHTS RESERVED		3 OF 54	

FIJI: VDDCA, VDD1/2, VDDQ, VDD, VDD_FIXED, VDD_CPU, VDD_GPU



广西南宁功夫手机维修培训
修一切苹果 招天下学生
十年一线维修经验及教学经验

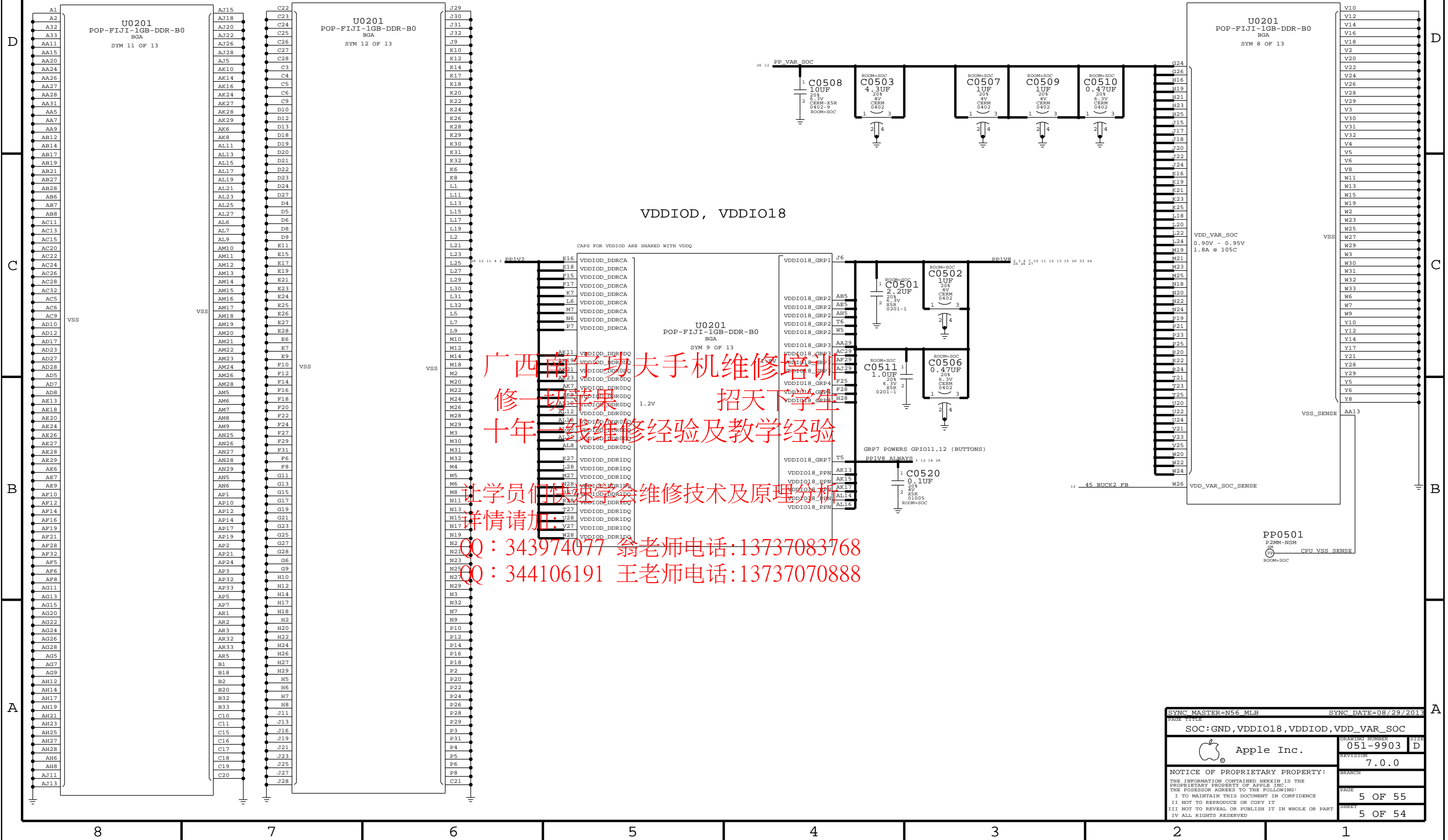
让学员们快速学会维修技术及原理分析
详情请加:
QQ: 343974077 翁老师电话: 13737083768
QQ: 344106191 王老师电话: 13737070888

SYNC MASTER=N56 MLB		SYNC DATE=08/29/2013	
PAGE TITLE			
SOC: VDDCA, VDD1/2, VDD, VDD_CPU, VDD_GPU			
Apple Inc.		DRAWING NUMBER	SIZE
		051-9903	D
		REVISION	
		7.0.0	
NOTICE OF PROPRIETARY PROPERTY:			
THE INFORMATION CONTAINED HEREIN IS THE PROPRIETARY PROPERTY OF APPLE INC. THE POSSESSOR AGREES TO THE FOLLOWING:			
I TO MAINTAIN THIS DOCUMENT IN CONFIDENCE			
II NOT TO REPRODUCE OR COPY IT			
III NOT TO REVEAL OR PUBLISH IT IN WHOLE OR PART			
IV ALL RIGHTS RESERVED			
		PAGE	4 OF 55
		SHEET	4 OF 54

FIJI: VDDIOD, VDDIO18, VDD_VAR_SOC

JUST A FEW GNDS

VDD_SRAM, VDD_SOC



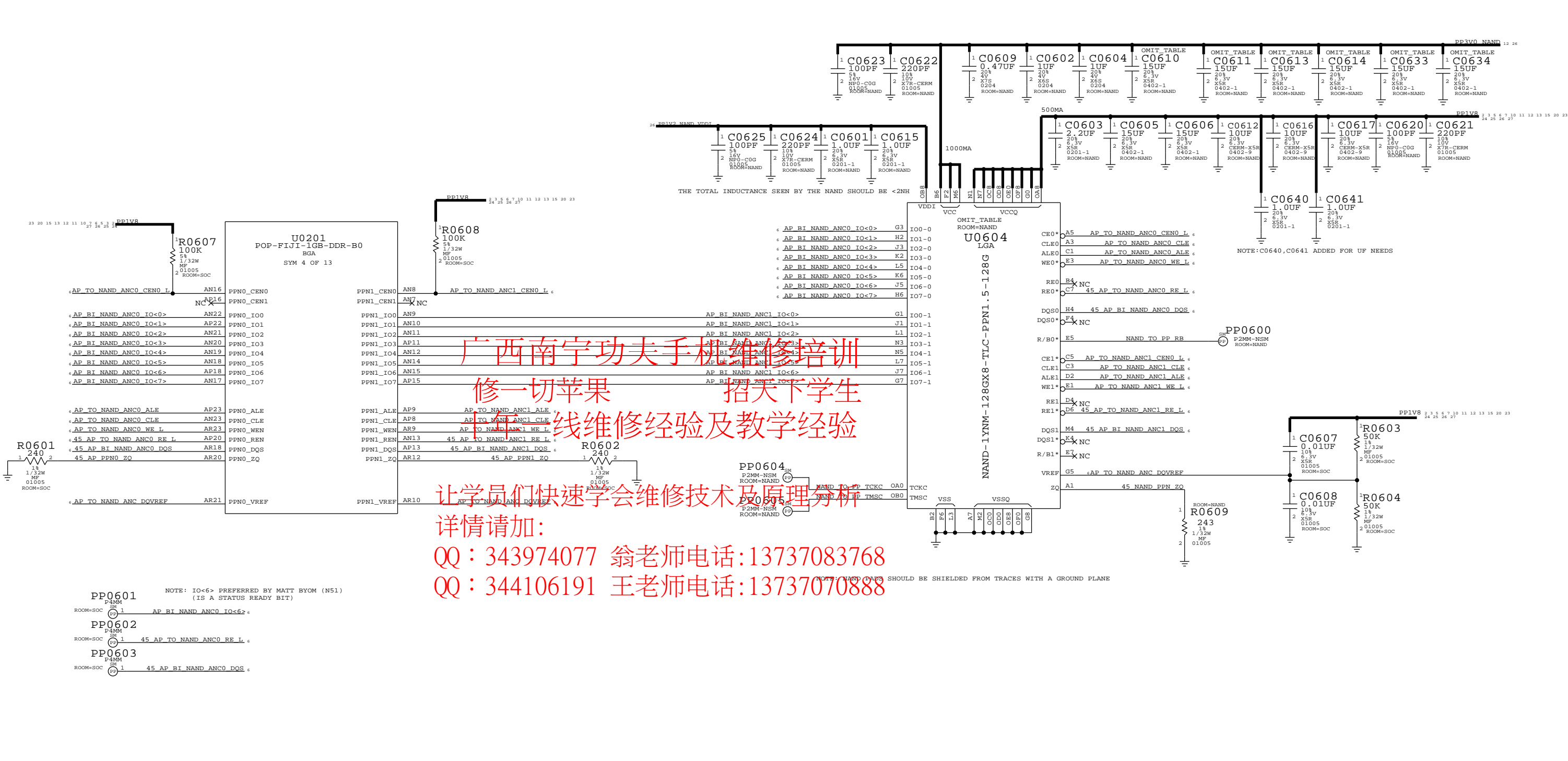
广西南宁平功夫手机维修培训
 修一切苹果 招天下学生
 十年一线维修经验及教学经验

让学员们快速学会维修技术及原理
 详情请加:
 QQ: 343974077 翁老师电话: 13737083768
 QQ: 344106191 王老师电话: 13737070888

SYNC MASTER=N56 MLB		SYNC DATE=08/29/2013	
PAGE TITLE SOC: GND, VDDIO18, VDDIOD, VDD_VAR_SOC			
Apple Inc.		DRAWING NUMBER 051-9903	SIZE D
NOTICE OF PROPRIETARY PROPERTY: THE INFORMATION CONTAINED HEREIN IS THE PROPRIETARY PROPERTY OF APPLE INC. THE POSSESSOR AGREES TO THE FOLLOWING: I TO MAINTAIN THIS DOCUMENT IN CONFIDENCE II NOT TO REPRODUCE OR COPY IT III NOT TO REVEAL OR PUBLISH IT IN WHOLE OR PART IV ALL RIGHTS RESERVED		REVISION 7.0.0	PAGE 5 OF 55
		SHEET 5 OF 54	

FIJI: NAND + 12X17 NAND PKG

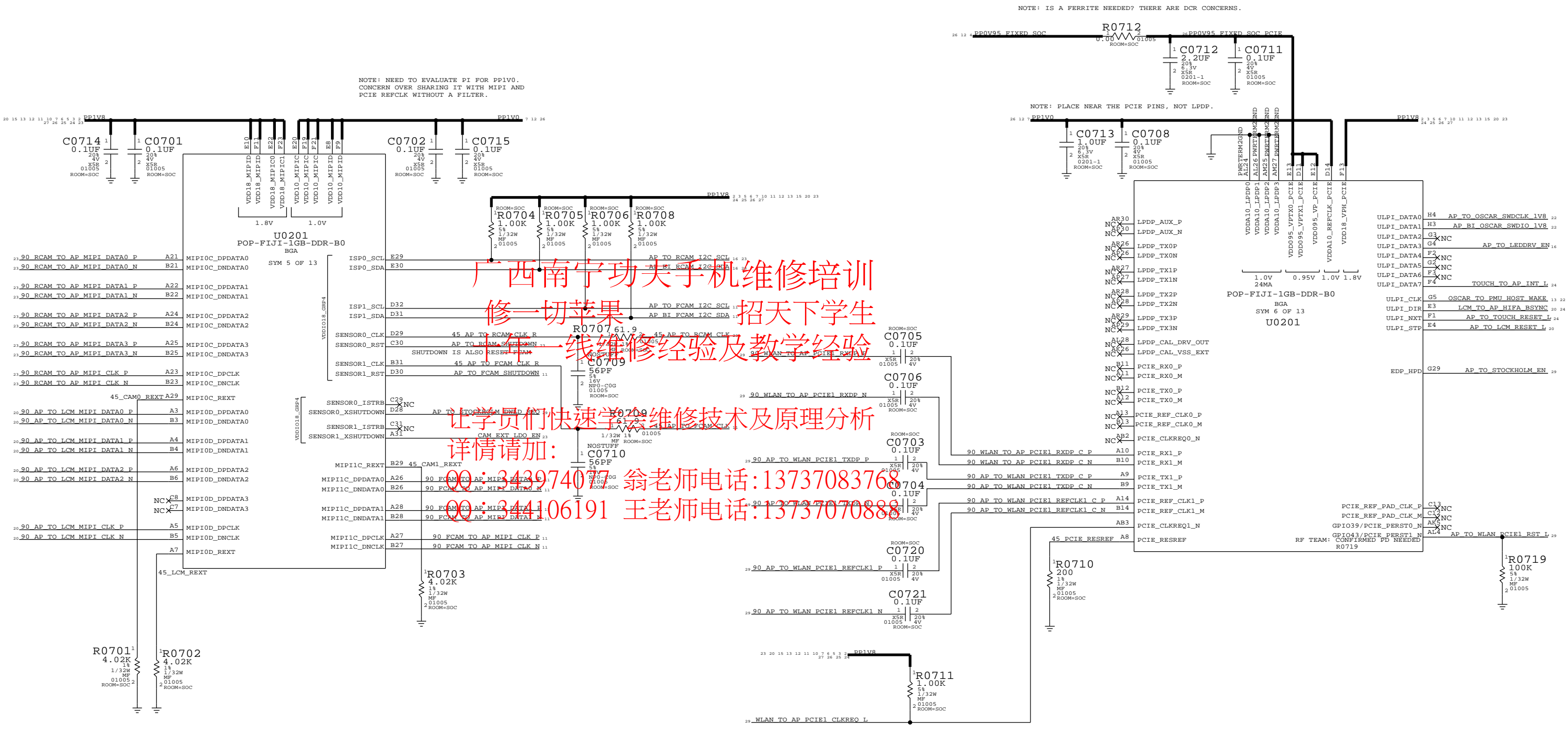
SUPPORT FOR PPN1.5 (1.8V IO) ONLY



广西南宁功夫手机维修培训
 修一切苹果 招天下学生
 十年维修经验及教学经验
 让学员们快速学会维修技术及原理分析
 详情请加:
 QQ: 343974077 翁老师电话: 13737083768
 QQ: 344106191 王老师电话: 13737070888

SYNC MASTER=N56 MLB		SYNC DATE=08/29/2013	
SOC: NAND			
Apple Inc.		DRAWING NUMBER	SIZE
		051-9903	D
		REVISION	
		7.0.0	
NOTICE OF PROPRIETARY PROPERTY:			
THE INFORMATION CONTAINED HEREIN IS THE PROPRIETARY PROPERTY OF APPLE INC. THE POSSESSOR AGREES TO THE FOLLOWING:			
I TO MAINTAIN THIS DOCUMENT IN CONFIDENCE		BRANCH	
II NOT TO REPRODUCE OR COPY IT		PAGE	6 OF 55
III NOT TO REVEAL OR PUBLISH IT IN WHOLE OR PART		SHEET	6 OF 54
IV ALL RIGHTS RESERVED			

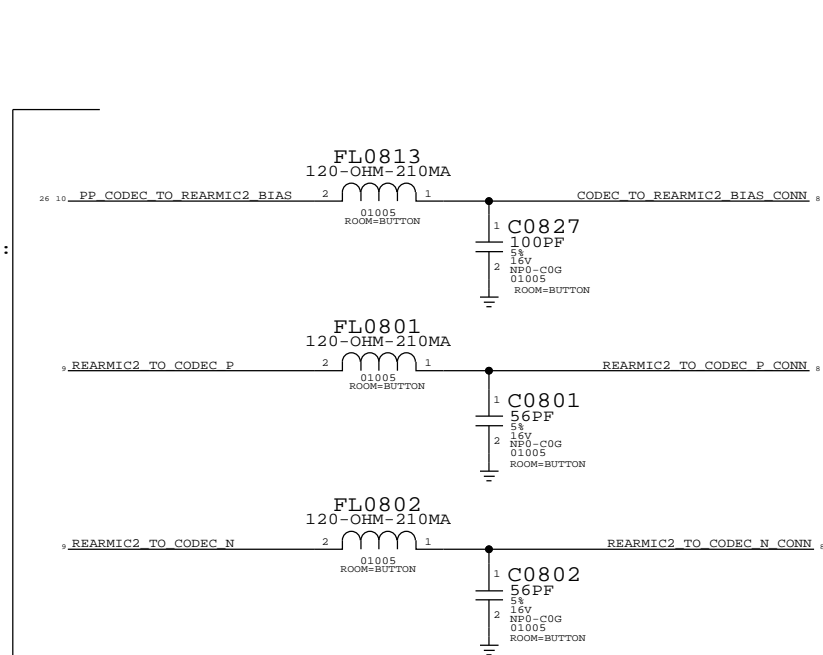
FIJI : HIGH SPEED DIG (CAM, LCD, LPDP, PCIE)



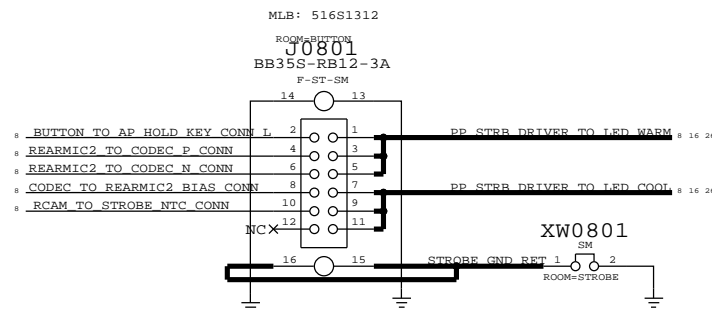
SYNC MASTER=N56 MLB		SYNC DATE=08/29/2013	
PAGE TITLE			
SOC: CAM, LCD, LPDP, PCIE			
Apple Inc.		DRAWING NUMBER	051-9903
		REVISION	7.0.0
NOTICE OF PROPRIETARY PROPERTY: THE INFORMATION CONTAINED HEREIN IS THE PROPRIETARY PROPERTY OF APPLE INC. THE POSSESSOR AGREES TO THE FOLLOWING: I TO MAINTAIN THIS DOCUMENT IN CONFIDENCE II NOT TO REPRODUCE OR COPY IT III NOT TO REVEAL OR PUBLISH IT IN WHOLE OR PART IV ALL RIGHTS RESERVED		BRANCH	
		PAGE	7 OF 55
		SHEET	7 OF 54

BUTTON FLEX (BUTTONS, ANC REF MIC, STROBE, STROBE_NTC, WIFI FLEX PAC)

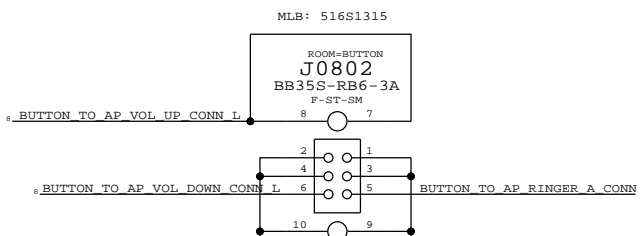
MIC2 (ANC REF MIC):
MIC2/4 BIAS,
MIC2_P,_N



RIGHT BUTTON B2B



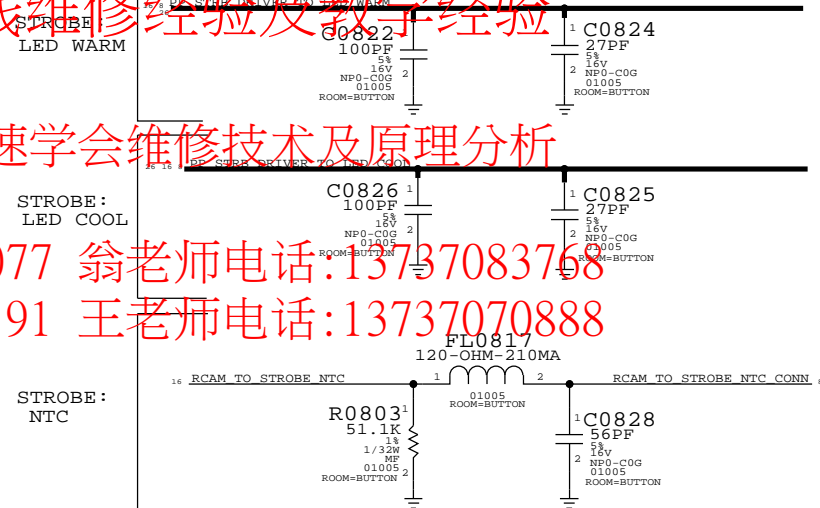
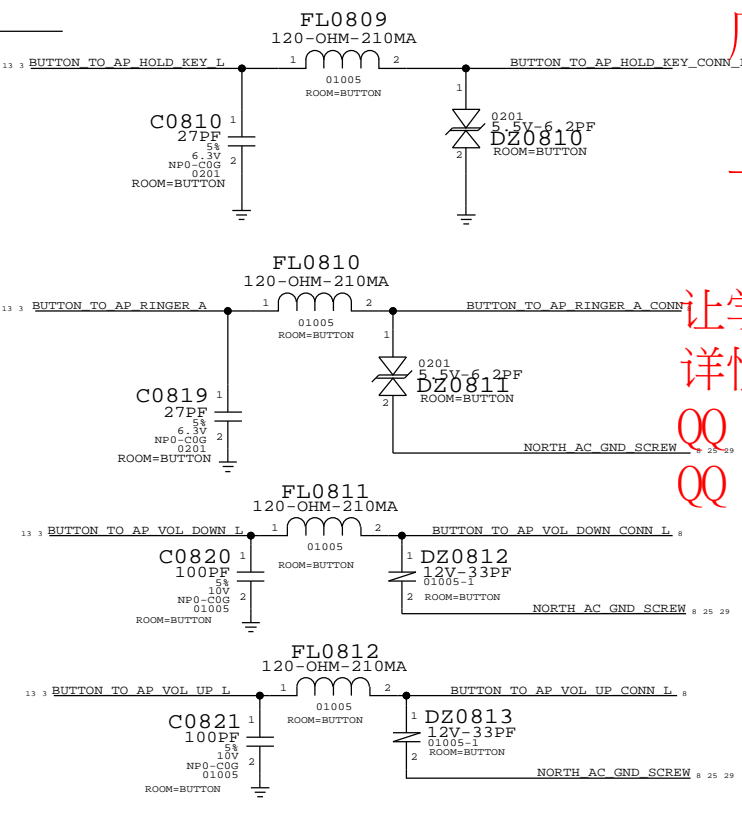
LEFT BUTTON B2B



广西南宁功夫手机维修培训
修一切苹果 招天下学生
十年一线维修经验及教学经验

让学员们快速学会维修技术及原理分析
详情请加:
QQ: 343974077 翁老师电话: 13737083768
QQ: 344106191 王老师电话: 13737070888

BUTTONS:
RINGER, HOLD,
VOL_UP/DOWN,

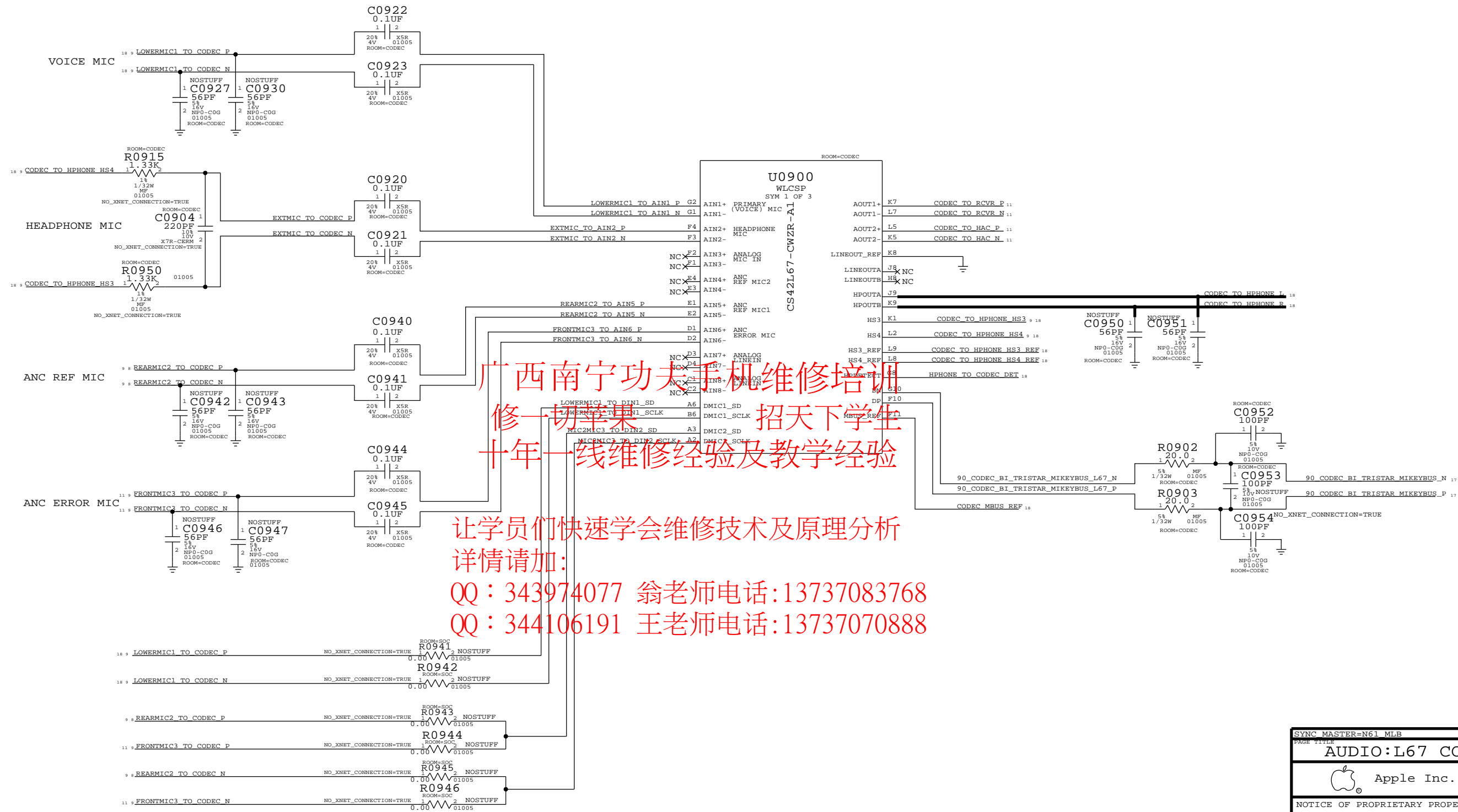


SYNC MASTER=N61_MLB		SYNC DATE=08/26/2013	
PAGE TITLE IO:BUTTON FLEX CONN			
DRAWING NUMBER 051-9903		SIZE D	
REVISION 7.0.0		BRANCH	
NOTICE OF PROPRIETARY PROPERTY: THE INFORMATION CONTAINED HEREIN IS THE PROPRIETARY PROPERTY OF APPLE INC. THE POSSESSOR AGREES TO THE FOLLOWING: I TO MAINTAIN THIS DOCUMENT IN CONFIDENCE II NOT TO REPRODUCE OR COPY IT III NOT TO REVEAL OR PUBLISH IT IN WHOLE OR PART IV ALL RIGHTS RESERVED			
PAGE 8 OF 55		SHEET 8 OF 54	

L67 AUDIO CODEC

AUDIO I/O

(ANALOG MIC IN, DIG MIC IN, HPOUT, LINEOUT, RECEIVER OUT, MIKEYBUS)



广西南宁功夫手机维修培训
 修一切苹果 招天下学生
 十年一线维修经验及教学经验

让学员们快速学会维修技术及原理分析
 详情请加：
 QQ：343974077 翁老师电话：13737083768
 QQ：344106191 王老师电话：13737070888

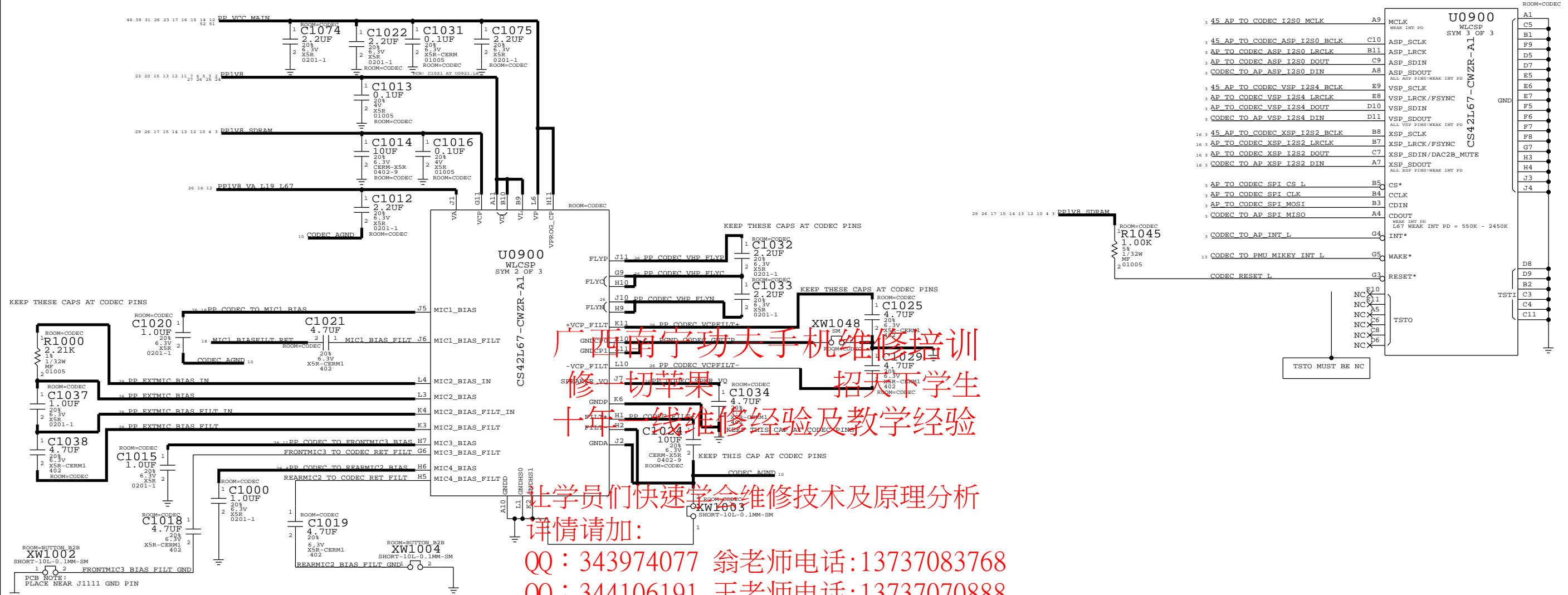
SYNC MASTER=N61 MLB		SYNC DATE=08/26/2013	
PAGE TITLE			
AUDIO:L67 CODEC (1/2)		DRAWING NUMBER	SIZE
Apple Inc.		051-9903	D
REVISION		7.0.0	
NOTICE OF PROPRIETARY PROPERTY:		BRANCH	
THE INFORMATION CONTAINED HEREIN IS THE PROPRIETARY PROPERTY OF APPLE INC. THE POSSESSOR AGREES TO THE FOLLOWING:		PAGE	
I TO MAINTAIN THIS DOCUMENT IN CONFIDENCE		9 OF 55	
II NOT TO REPRODUCE OR COPY IT		SHEET	
III NOT TO REVEAL OR PUBLISH IT IN WHOLE OR PART		9 OF 54	
IV ALL RIGHTS RESERVED			

L67 AUDIO CODEC

POWER, MICBIAS

DIGITAL SYSTEM I/O

NOTE: C1022 WAS REDUCED TO 2.2UF BECAUSE OF ADDITIONAL NEARBY VCC MAIN CAPS



广西南宁功夫手机维修培训
 修一切苹果 招天下学生
 十年一线维修经验及教学经验

让学员们快速学会维修技术及原理分析
 详情请加:

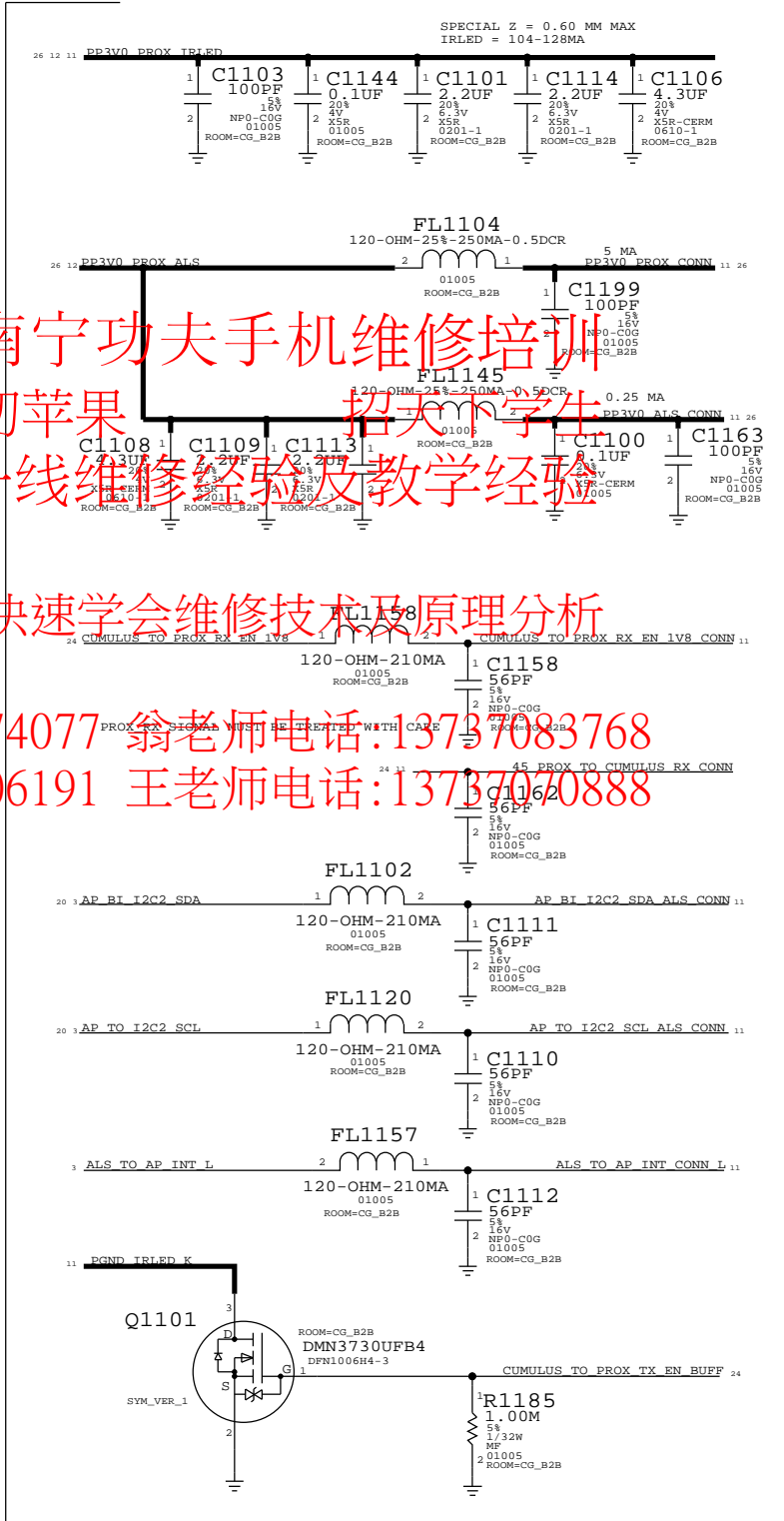
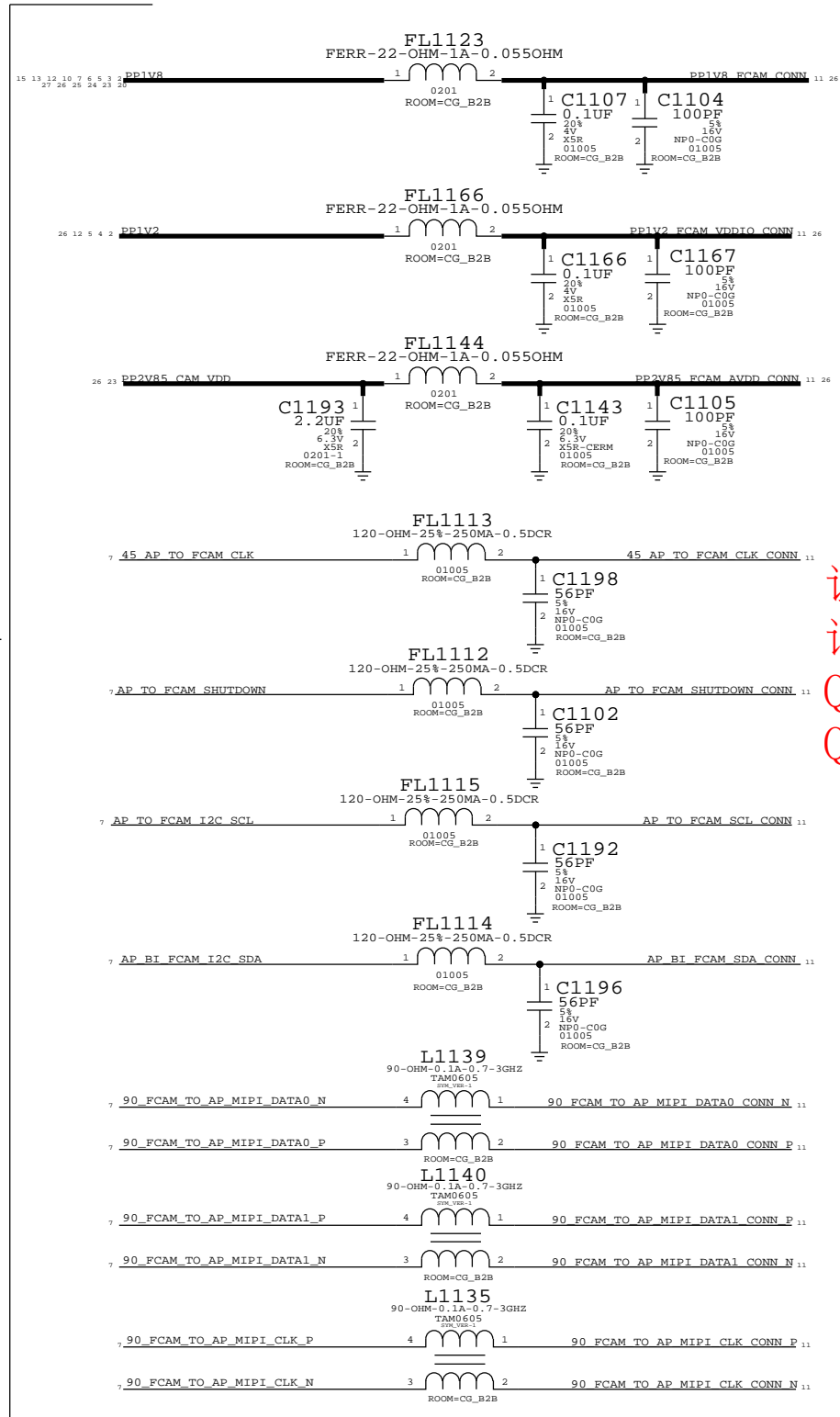
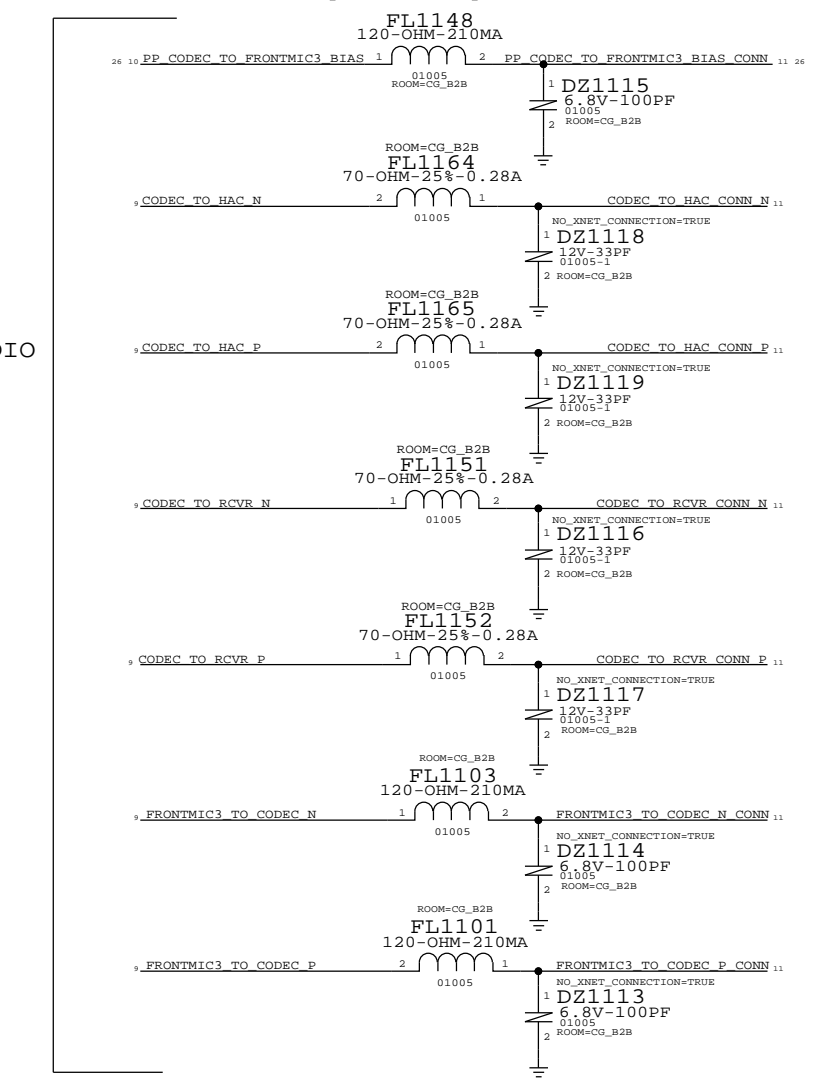
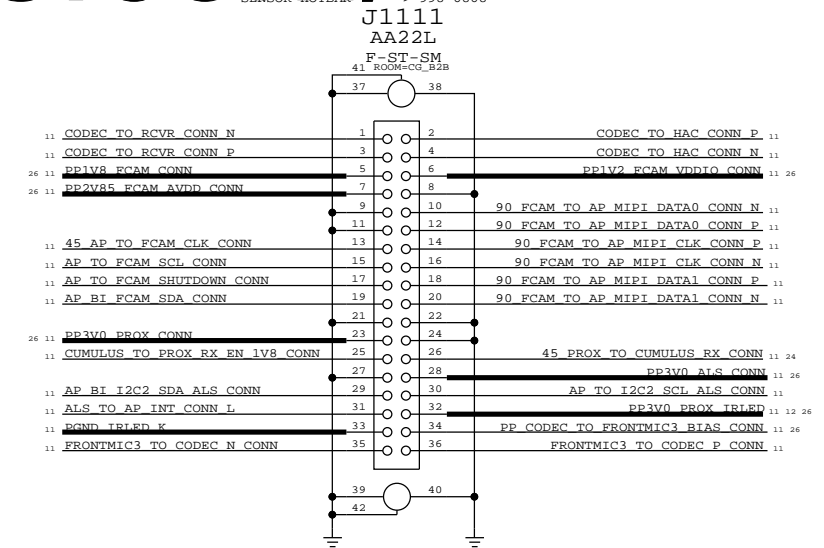
QQ: 343974077 翁老师电话: 13737083768
 QQ: 344106191 王老师电话: 13737070888

SYNC MASTER=N61 MLB		SYNC DATE=08/26/2013	
PAGE TITLE			
AUDIO:L67 CODEC (2/2)			
Apple Inc.		DRAWING NUMBER	051-9903
		REVISION	7.0.0
NOTICE OF PROPRIETARY PROPERTY:		BRANCH	
THE INFORMATION CONTAINED HEREIN IS THE PROPRIETARY PROPERTY OF APPLE INC. THE POSSESSOR AGREES TO THE FOLLOWING:		PAGE	10 OF 55
I TO MAINTAIN THIS DOCUMENT IN CONFIDENCE		SHEET	10 OF 54
II NOT TO REPRODUCE OR COPY IT			
III NOT TO REVEAL OR PUBLISH IT IN WHOLE OR PART			
IV ALL RIGHTS RESERVED			

FRONT CAM FLEX B2B

(FCAM, PROX, ALS, RECEIVER, ANC ERROR MIC)

THIS ONE IS 516S1081 RECEPTACLE
SENSOR FOOTPRINT 998-6868



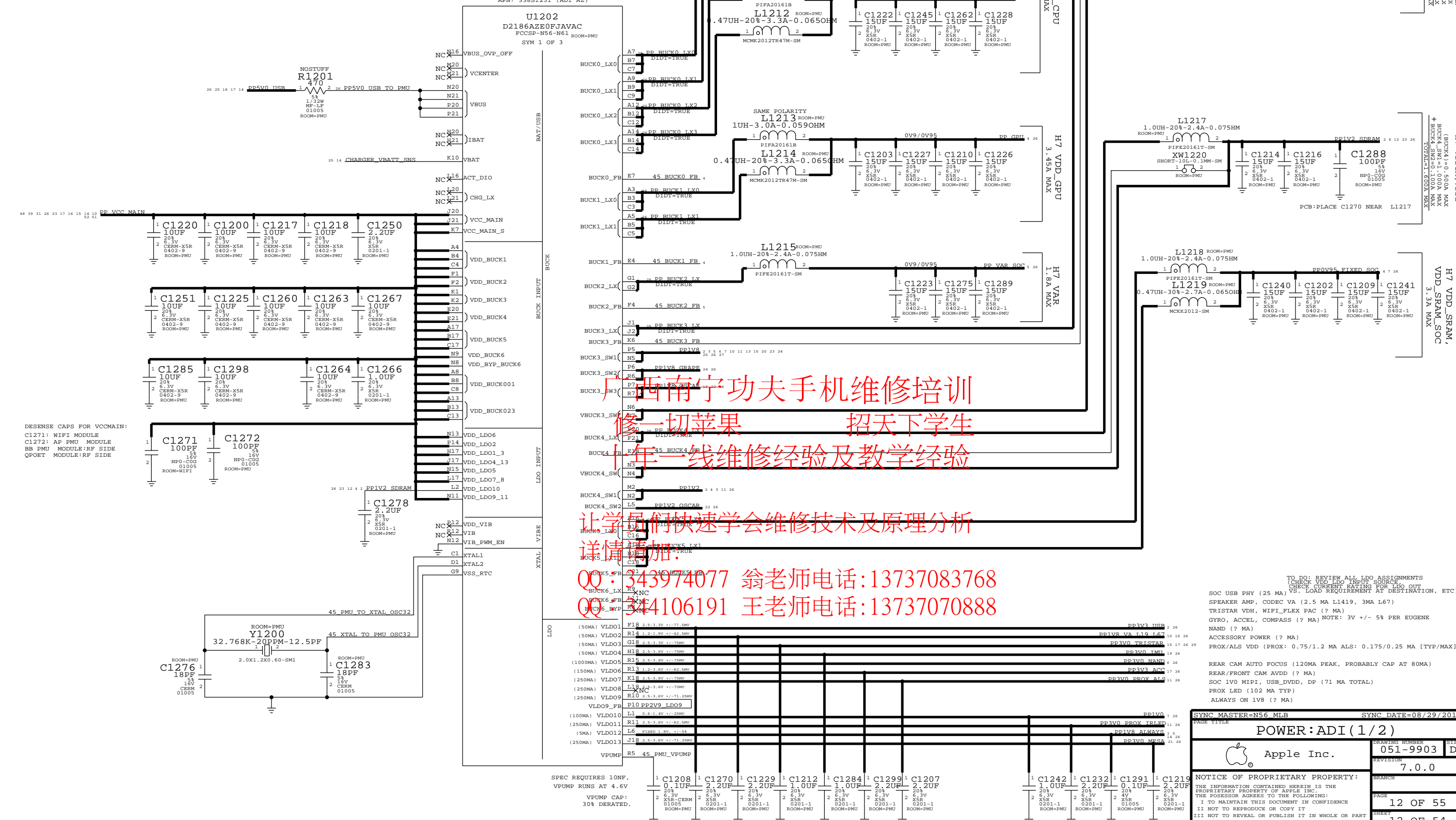
广西南宁功夫手机维修培训
修一切苹果 招天下学生
十年一线维修经验及教学经验

让学员们快速学会维修技术及原理分析
详情请加:
QQ: 343974077 翁老师电话: 13737083768
QQ: 344106191 王老师电话: 13737070888

SYNC MASTER=N61 MLB		SYNC DATE=08/26/2013	
CAMERA: FRONT FLEX CONN			
Apple Inc.		DRAWING NUMBER	051-9903
		REVISION	7.0.0
NOTICE OF PROPRIETARY PROPERTY:		BRANCH	
THE INFORMATION CONTAINED HEREIN IS THE PROPRIETARY PROPERTY OF APPLE INC. THE POSSESSOR AGREES TO THE FOLLOWING:		PAGE	11 OF 55
I TO MAINTAIN THIS DOCUMENT IN CONFIDENCE		SHEET	11 OF 54
II NOT TO REPRODUCE OR COPY IT			
III NOT TO REVEAL OR PUBLISH IT IN WHOLE OR PART			
IV ALL RIGHTS RESERVED			

ADI PMU (BUCK, LDO, VIBE DRIVER, 32K, CHARGER)

D
C
B
A



广西南宁功夫手机维修培训
 修一切苹果 招天下学生
 十年一线维修经验及教学经验
 让学员们快速学会维修技术及原理分析
 详情请加:

QQ: 343974077 翁老师电话: 13737083768
 QQ: 344106191 王老师电话: 13737070888

TO DO: REVIEW ALL LDO ASSIGNMENTS (CHECK VDD LDO INPUT SOURCE, CHECK CURRENT RATING FOR LDO OUT, CHECK CURRENT RATING FOR LDO OUT)

PP3V3 USB	26
PP1V8 VA L19 L67	10 14 26
PP3V0 TRISTAR	15 17 26 29
PP3V0 PMU	19 26
PP1V0 NAND	4 26
PP3V3 ACC	17 26
PP3V0 PROX ALS	11 26

REAR CAM AUTO FOCUS (120MA PEAK, PROBABLY CAP AT 80MA)
 REAR/FRONT CAM AVDD (? MA)
 SOC IVO MIPI, USB_DVDD, DP (71 MA TOTAL)
 PROX LED (102 MA TYP)
 ALWAYS ON IVB (? MA)

SYNC MASTER=N56 MLB SYNC DATE=08/29/2013

POWER: ADI (1 / 2)

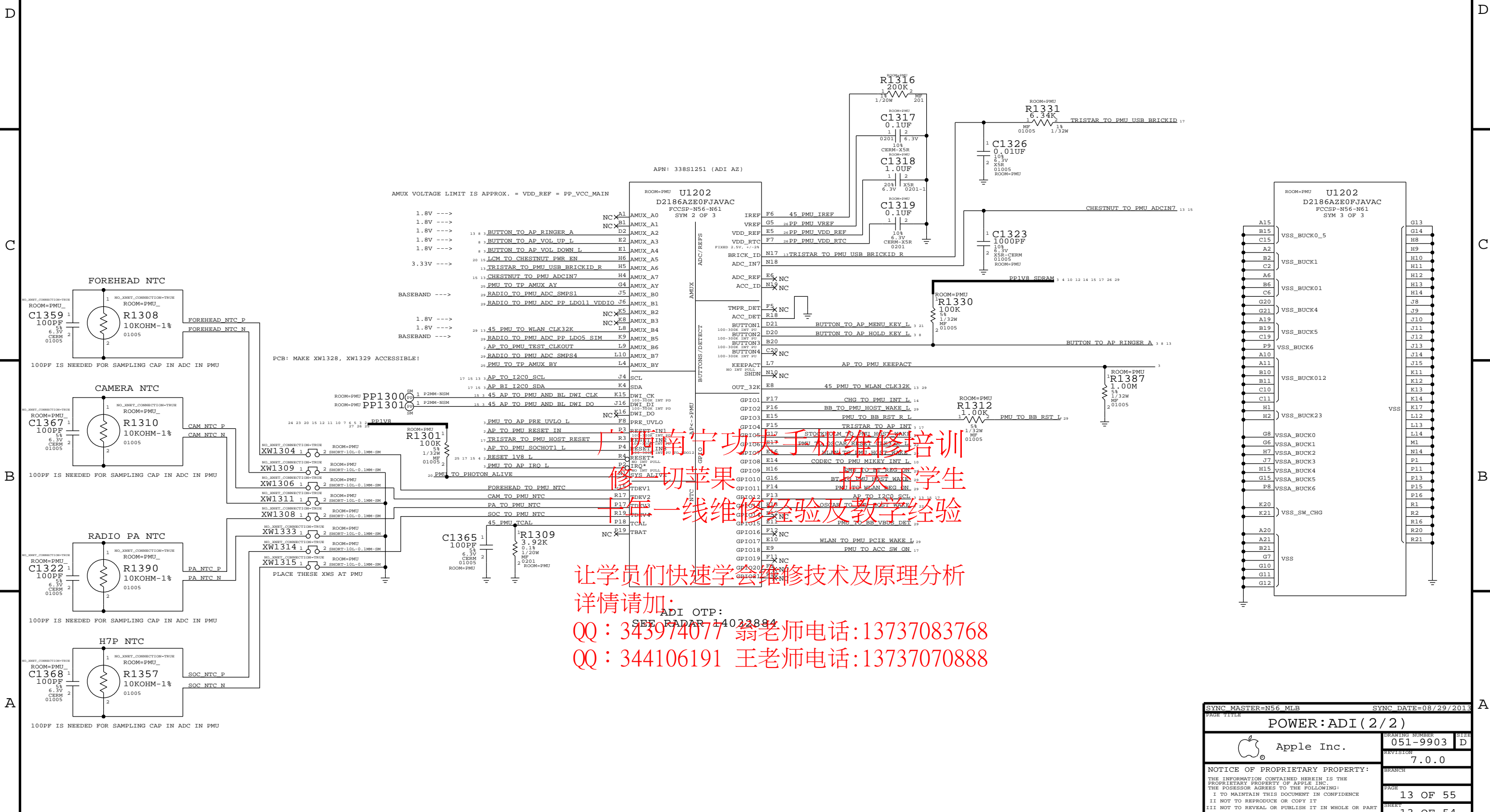
Apple Inc.

DRAWING NUMBER: 051-9903 SIZE: D
 REVISION: 7.0.0
 BRANCH: 12 OF 55
 SHEET: 12 OF 54

NOTICE OF PROPRIETARY PROPERTY:
 THE INFORMATION CONTAINED HEREIN IS THE PROPRIETARY PROPERTY OF APPLE INC. THE POSSESSOR AGREES TO THE FOLLOWING:
 I TO MAINTAIN THIS DOCUMENT IN CONFIDENCE
 II NOT TO REPRODUCE OR COPY IT
 III NOT TO REVEAL OR PUBLISH IT IN WHOLE OR PART
 IV ALL RIGHTS RESERVED

ADI PMU

(AMUX, GPIO, BUTTONS, ADC, THERMISTORS, SYSTEM I/F, GND)

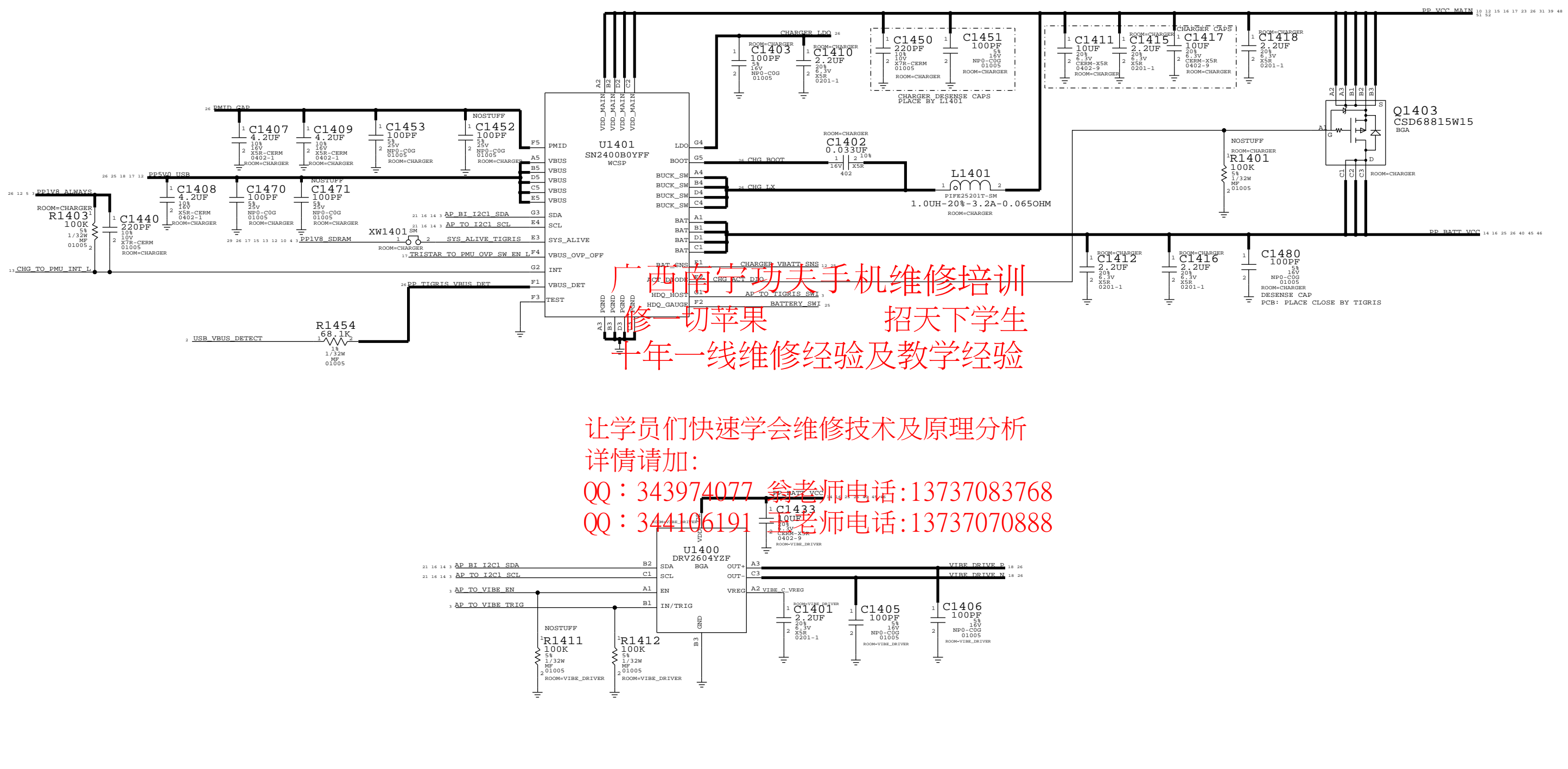


南宁功晟手机维修培训
 招收大学生
 一切苹果
 十年一线维修经验及教学经验

让学员们快速学会维修技术及原理分析
 详情请加:
 QQ: 343974077 翁老师电话: 13737083768
 QQ: 344106191 王老师电话: 13737070888

SYNC MASTER=N56 MLB		SYNC DATE=08/29/2013	
POWER:ADI (2 / 2)			
Apple Inc.	DRAWING NUMBER	051-9903	SIZE D
	REVISION	7.0.0	
NOTICE OF PROPRIETARY PROPERTY:		BRANCH	
THE INFORMATION CONTAINED HEREIN IS THE PROPRIETARY PROPERTY OF APPLE INC. THE POSSESSOR AGREES TO THE FOLLOWING:		PAGE	13 OF 55
I TO MAINTAIN THIS DOCUMENT IN CONFIDENCE		SHEET	13 OF 54
II NOT TO REPRODUCE OR COPY IT			
III NOT TO REVEAL OR PUBLISH IT IN WHOLE OR PART			
IV ALL RIGHTS RESERVED			

TIGRIS CHARGER & VIBE DRIVER



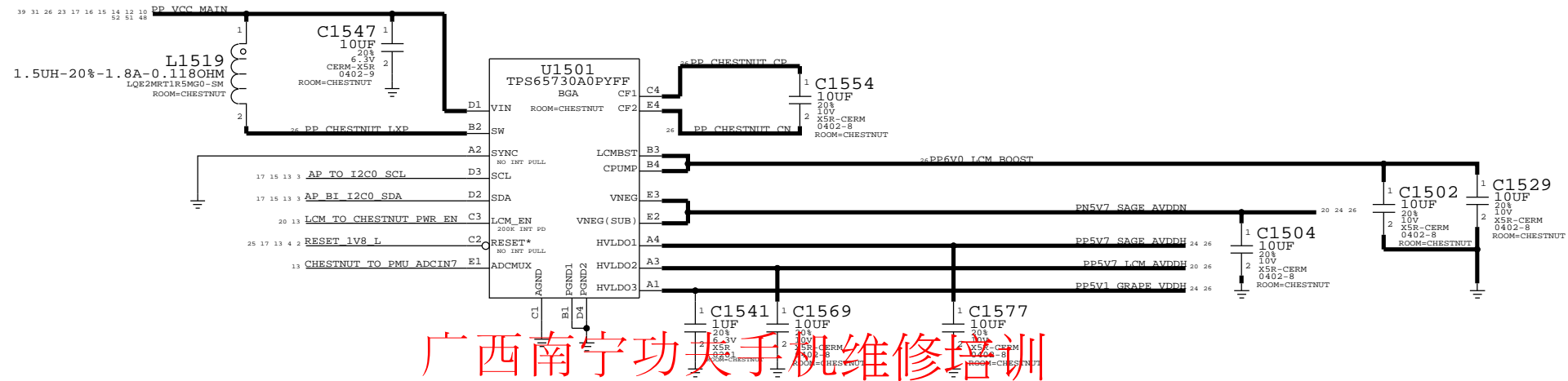
广西南宁宁功夫手机维修培训
 修一切苹果 招天下学生
 十年一线维修经验及教学经验

让学员们快速学会维修技术及原理分析
 详情请加：
 QQ：343974077 谷老师电话：13737083768
 QQ：344106191 冯老师电话：13737070888

POWER:TIGRISR,VIBE DRIVER		
Apple Inc.	DRAWING NUMBER 051-9903	SIZE D
	REVISION 7.0.0	
NOTICE OF PROPRIETARY PROPERTY: THE INFORMATION CONTAINED HEREIN IS THE PROPRIETARY PROPERTY OF APPLE INC. THE POSSESSOR AGREES TO THE FOLLOWING: I TO MAINTAIN THIS DOCUMENT IN CONFIDENCE II NOT TO REPRODUCE OR COPY IT III NOT TO REVEAL OR PUBLISH IT IN WHOLE OR PART IV ALL RIGHTS RESERVED		
	PAGE 14 OF 55	
	SHEET 14 OF 54	

CHESTNUT, BACKLIGHT DRIVER, MESA BOOST

D500 DISPLAY PMU (TI CHESTNUT, 338S1149)

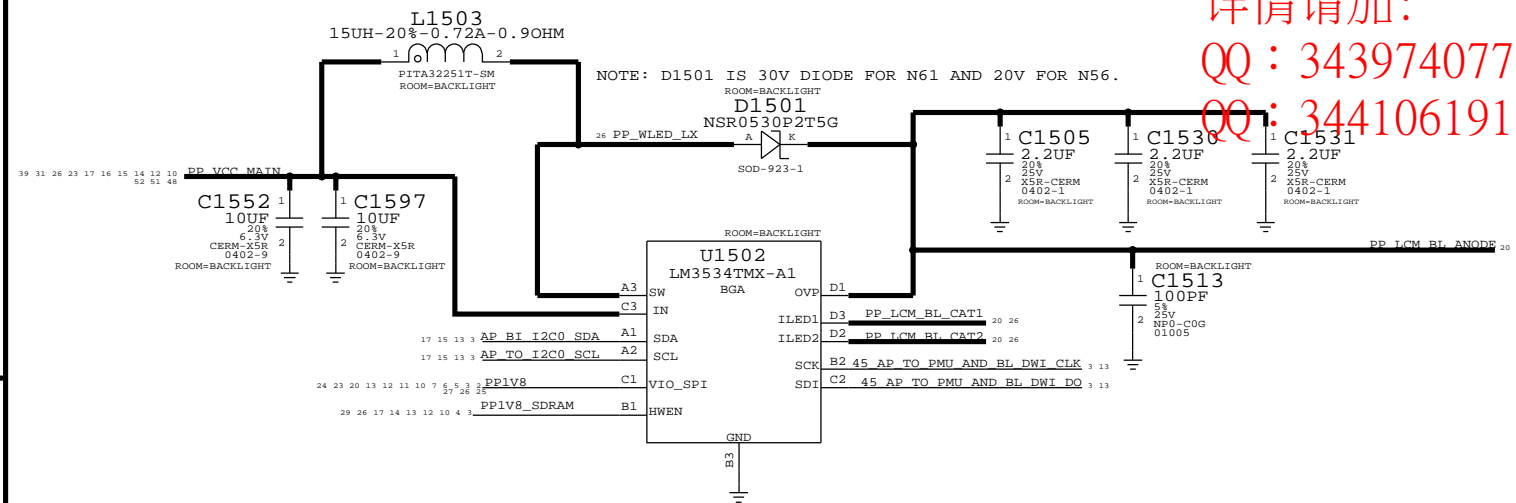


广西南宁功夫手机维修培训
修一切苹果 招天下学生
十年一线维修经验及教学经验

D500 BACKLIGHT DRIVER

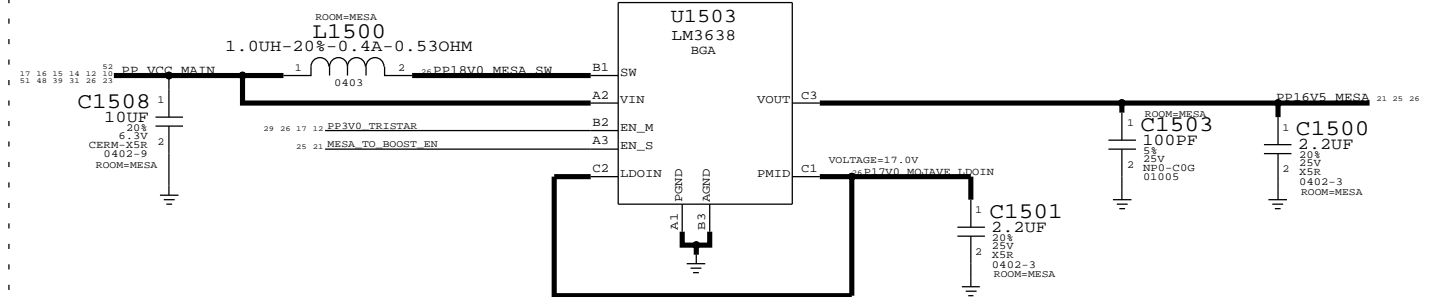
让学员们快速学会维修技术及原理分析
详情请加:

QQ: 343974077 翁老师电话: 13737083768
QQ: 344106191 王老师电话: 13737070888



MESA BOOST A0

APN: 353S3978

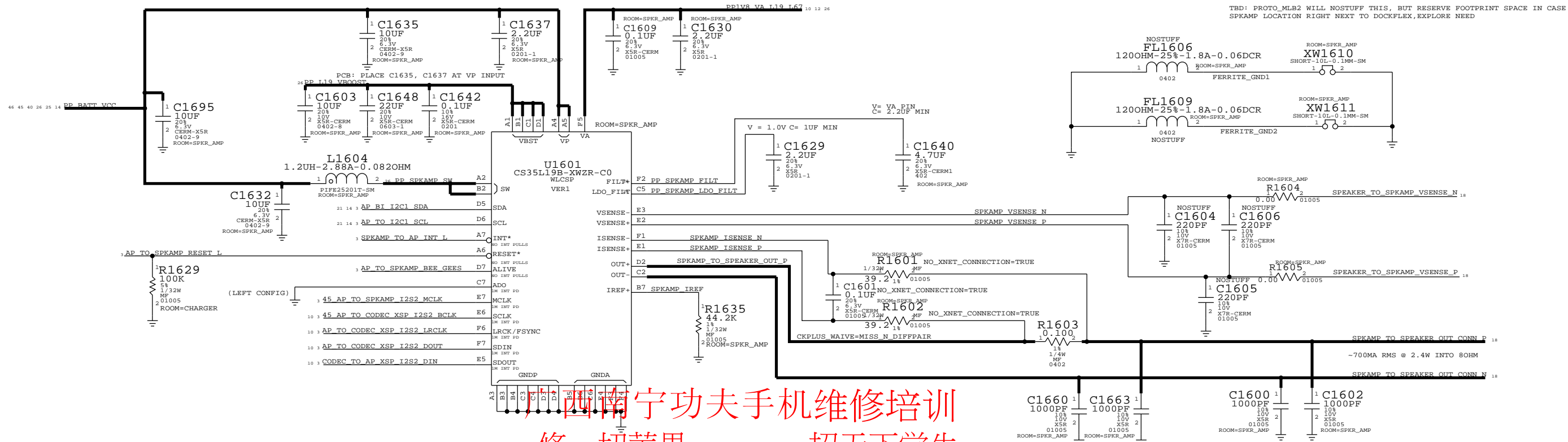


SYNC MASTER=N61 MLB		SYNC DATE=08/26/2013	
PAGE TITLE DISPLAY: CHESTNUT, BACKLIGHT DRIVER			
DRAWING NUMBER 051-9903		SIZE D	
REVISION 7.0.0		BRANCH	
NOTICE OF PROPRIETARY PROPERTY: THE INFORMATION CONTAINED HEREIN IS THE PROPRIETARY PROPERTY OF APPLE INC. THE POSSESSOR AGREES TO THE FOLLOWING: I I TO MAINTAIN THIS DOCUMENT IN CONFIDENCE II NOT TO REPRODUCE OR COPY IT III NOT TO REVEAL OR PUBLISH IT IN WHOLE OR PART IV ALL RIGHTS RESERVED			
PAGE 15 OF 55		SHEET 15 OF 54	

SPEAKER AMP, LED DRIVER

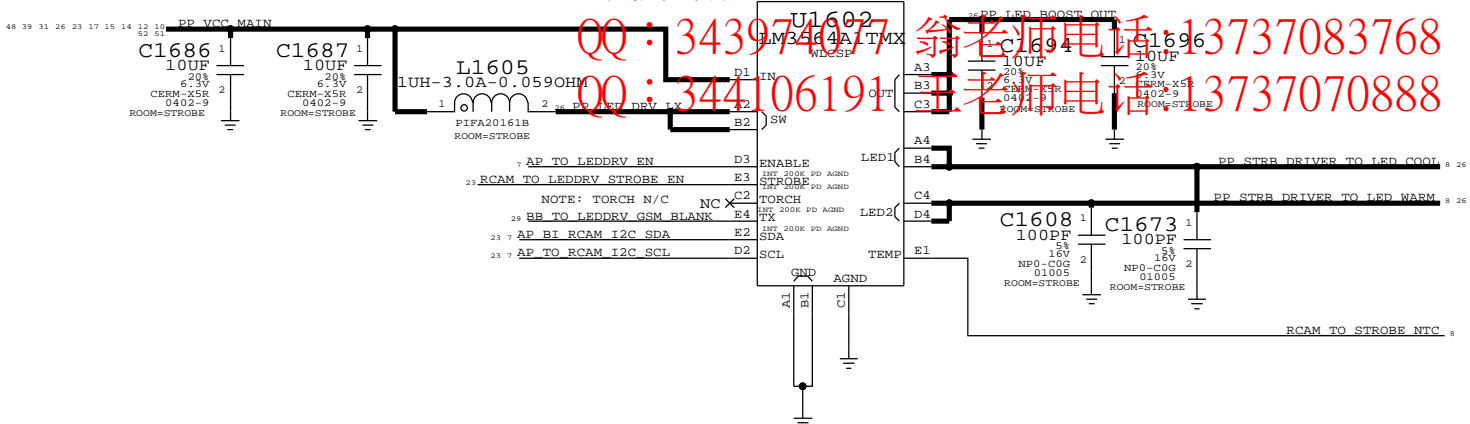
SPEAKER AMP

I2C ADDRESS: 1000000X



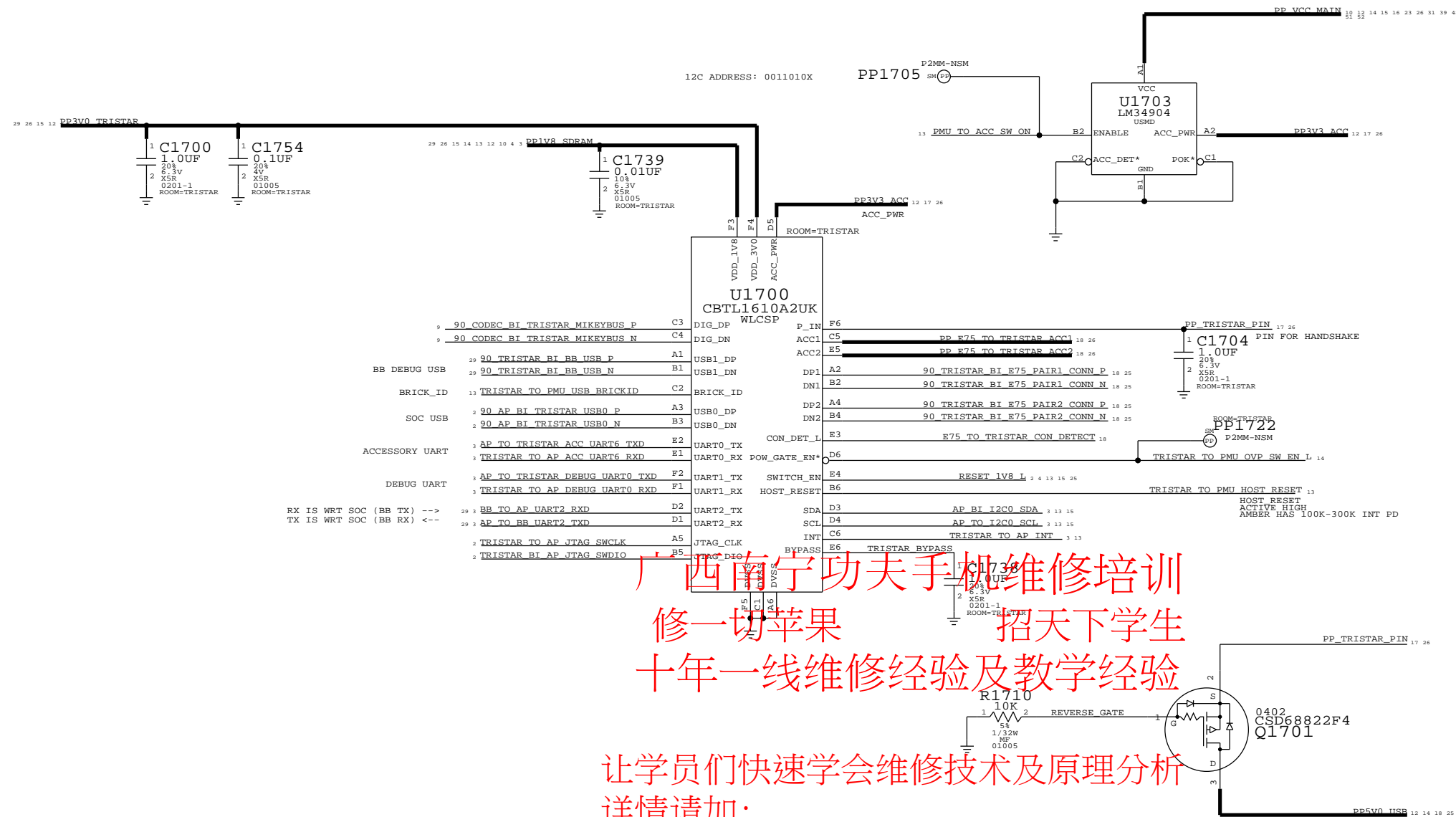
广西南宁功夫手机维修培训
 修一切苹果 招天下学生
 十年一线维修经验及教学经验
 STROBE DRIVER

让学员们快速学会维修技术及原理分析
 详情请加:
 QQ: 343974017 翁老师电话: 13737083768
 QQ: 344106191 王老师电话: 13737070888



SYNC MASTER=N61_MLB		SYNC DATE=08/26/2013	
PAGE TITLE			
AUDIO: SPKR AMP, STROBE			
DRAWING NUMBER		051-9903	
REVISION		7.0.0	
NOTICE OF PROPRIETARY PROPERTY:			
THE INFORMATION CONTAINED HEREIN IS THE PROPRIETARY PROPERTY OF APPLE INC. THE POSSESSOR AGREES TO THE FOLLOWING:			
I TO MAINTAIN THIS DOCUMENT IN CONFIDENCE			
II NOT TO REPRODUCE OR COPY IT			
III NOT TO REVEAL OR PUBLISH IT IN WHOLE OR PART			
IV ALL RIGHTS RESERVED			
BRANCH		PAGE	
16 OF 55		SHEET	
16 OF 54			

TRISTAR2



广西南宁功夫手机维修培训
 修一切苹果 招天下学生
 十年一线维修经验及教学经验

让学员们快速学会维修技术及原理分析
 详情请加：

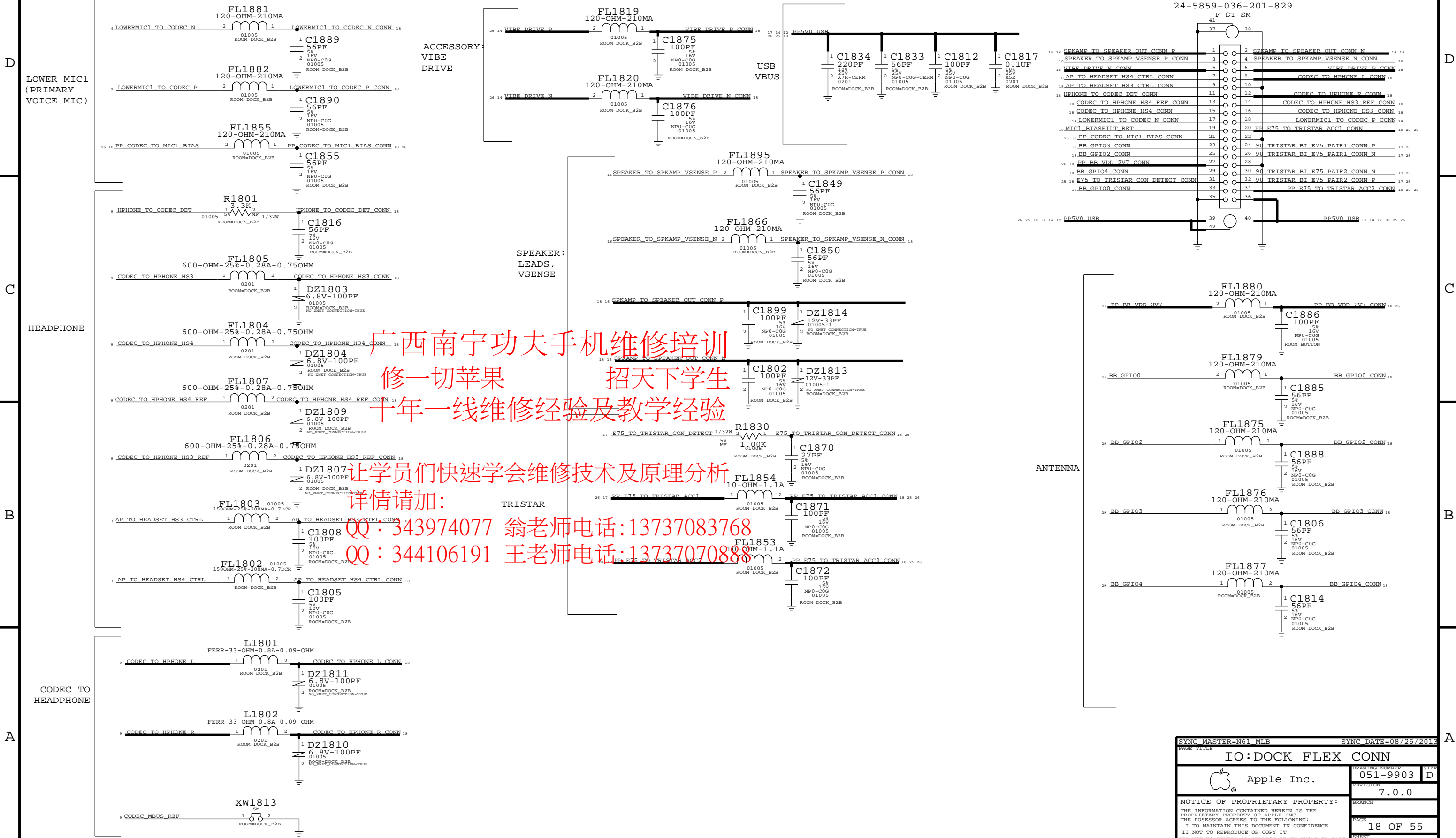
QQ：343974077 翁老师电话：13737083768

QQ：344106191 王老师电话：13737070888

SYNC MASTER=N61 MLB		SYNC DATE=08/26/2013	
IO:TRISTAR2			
Apple Inc.		DRAWING NUMBER	SIZE
NOTICE OF PROPRIETARY PROPERTY: THE INFORMATION CONTAINED HEREIN IS THE PROPRIETARY PROPERTY OF APPLE INC. THE POSSESSOR AGREES TO THE FOLLOWING: I TO MAINTAIN THIS DOCUMENT IN CONFIDENCE II NOT TO REPRODUCE OR COPY IT III NOT TO REVEAL OR PUBLISH IT IN WHOLE OR PART IV ALL RIGHTS RESERVED		051-9903	D
		REVISION	
		7.0.0	
		BRANCH	
		PAGE	17 OF 55
		SHEET	17 OF 54

DOCKFLEX B2B (USB, VBUS, SPEAKER, ANTENNA, LAP SW, CTRL, MIC1 (PRIMARY MIC), ACC DET/ID/PWR, E75 DIFFPAIRS)

MLB: 516S1281 (RCPT)
ROOM=DOCK_B2B J1817
24-5859-036-201-829
F-ST-SM

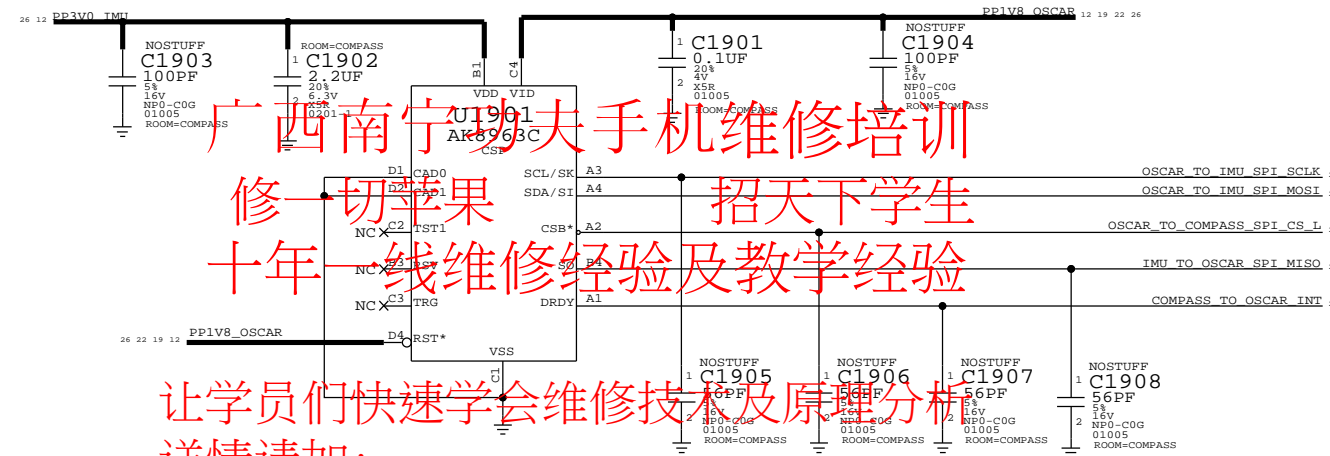


广西南宁功夫手机维修培训
修一切苹果
招天下学生
十年一线维修经验及教学经验

让学员们快速学会维修技术及原理分析
详情请加:
QQ: 343974077 翁老师电话: 13737083768
QQ: 344106191 王老师电话: 13737070888


SYNC MASTER=N61 MLB		SYNC DATE=08/26/2013	
PAGE TITLE IO:DOCK FLEX CONN			
Apple Inc.	DRAWING NUMBER	051-9903	SIZE D
	REVISION	7.0.0	
NOTICE OF PROPRIETARY PROPERTY: THE INFORMATION CONTAINED HEREIN IS THE PROPRIETARY PROPERTY OF APPLE INC. THE POSSESSOR AGREES TO THE FOLLOWING: I TO MAINTAIN THIS DOCUMENT IN CONFIDENCE II NOT TO REPRODUCE OR COPY IT III NOT TO REVEAL OR PUBLISH IT IN WHOLE OR PART IV ALL RIGHTS RESERVED		BRANCH	PAGE 18 OF 55
		SHEET	18 OF 54

COMPASS CSP: 338S1014



广西南宁翁老师手机维修培训
 修一切苹果 招天下学生
 十年一线维修经验及教学经验

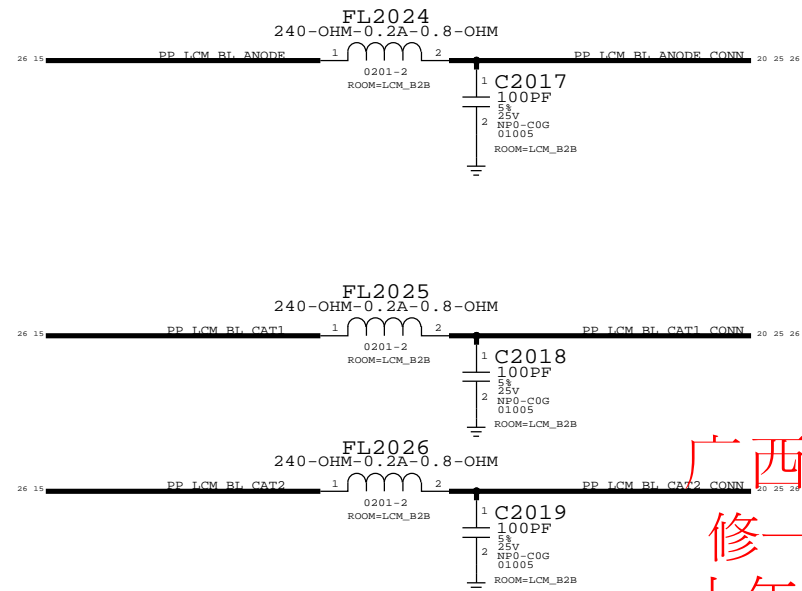
让学员们快速学会维修技术及原理分析
 详情请加：
 QQ：343974077 翁老师电话：13737083768
 QQ：344106191 王老师电话：13737070888

SYNC MASTER=N61 MLB		SYNC DATE=08/26/2013	
SENSORS: COMPASS			
 Apple Inc.		DRAWING NUMBER	051-9903
		REVISION	7.0.0
NOTICE OF PROPRIETARY PROPERTY: THE INFORMATION CONTAINED HEREIN IS THE PROPRIETARY PROPERTY OF APPLE INC. THE POSSESSOR AGREES TO THE FOLLOWING: I TO MAINTAIN THIS DOCUMENT IN CONFIDENCE II NOT TO REPRODUCE OR COPY IT III NOT TO REVEAL OR PUBLISH IT IN WHOLE OR PART IV ALL RIGHTS RESERVED		BRANCH	
		PAGE	19 OF 55
		SHEET	19 OF 54

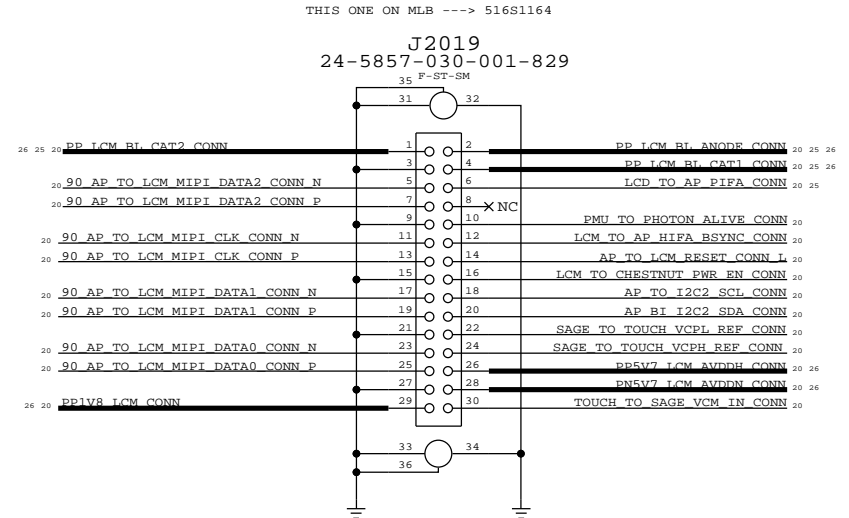
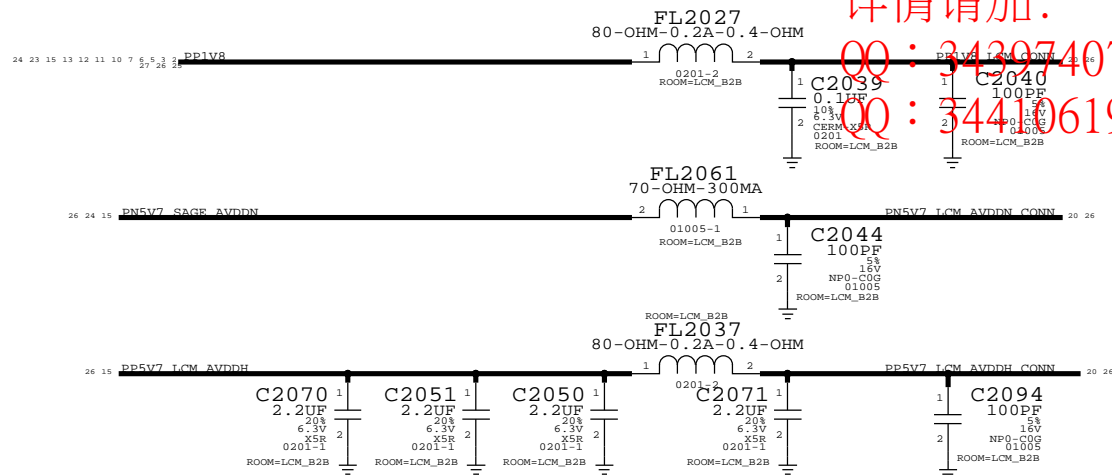
LCD B2B

Backlight

(N56 HAS A 2ND SET OF BL SIGNALS ON P. 19).



LCM Supplies

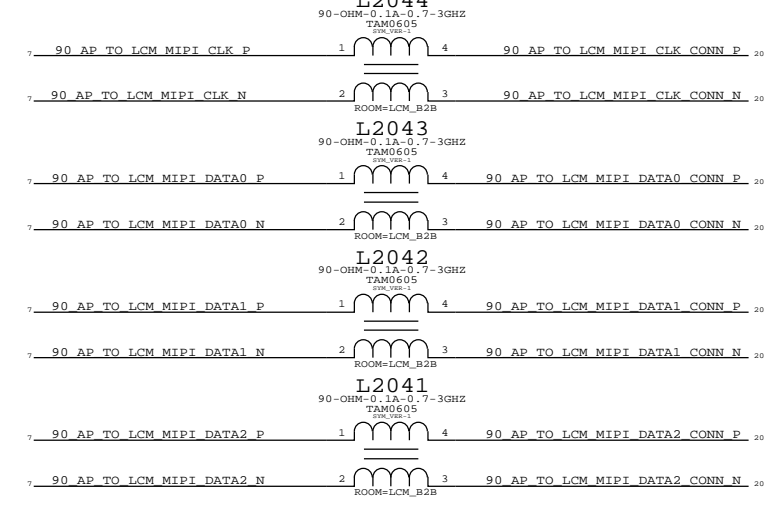


广西南宁功夫手机维修培训
 修一切苹果 招天下学生
 十年一线维修经验及教学经验

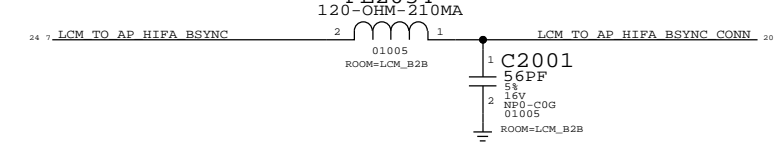
让学员们快速学会维修技术及原理分析
 详情请加:
 QQ: 343974077 翁老师电话: 13737083768
 QQ: 344106191 王老师电话: 13737070888

MIPI Common Mode Chokes

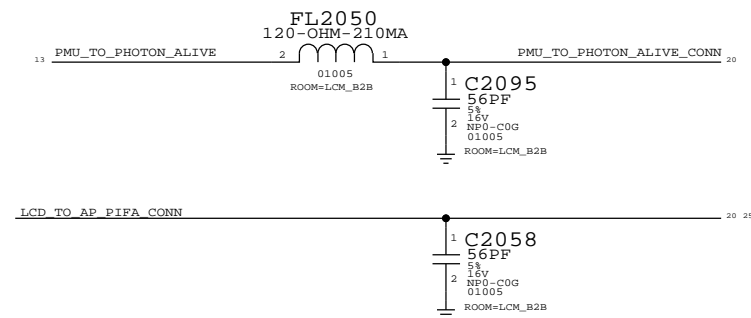
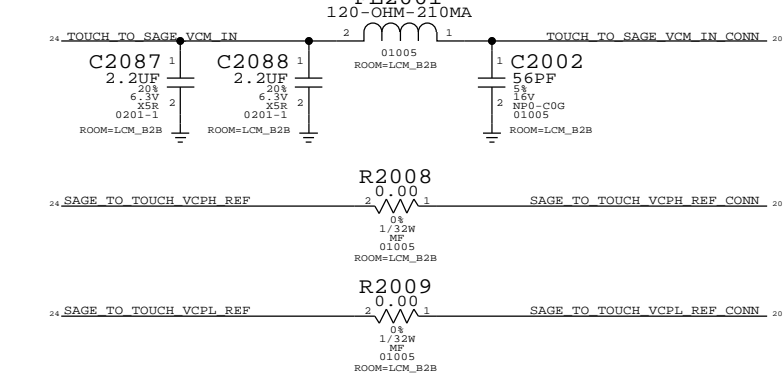
(N56 HAS A 4TH MIPI LANE ON P. 19).



Sync/Reset/Debug

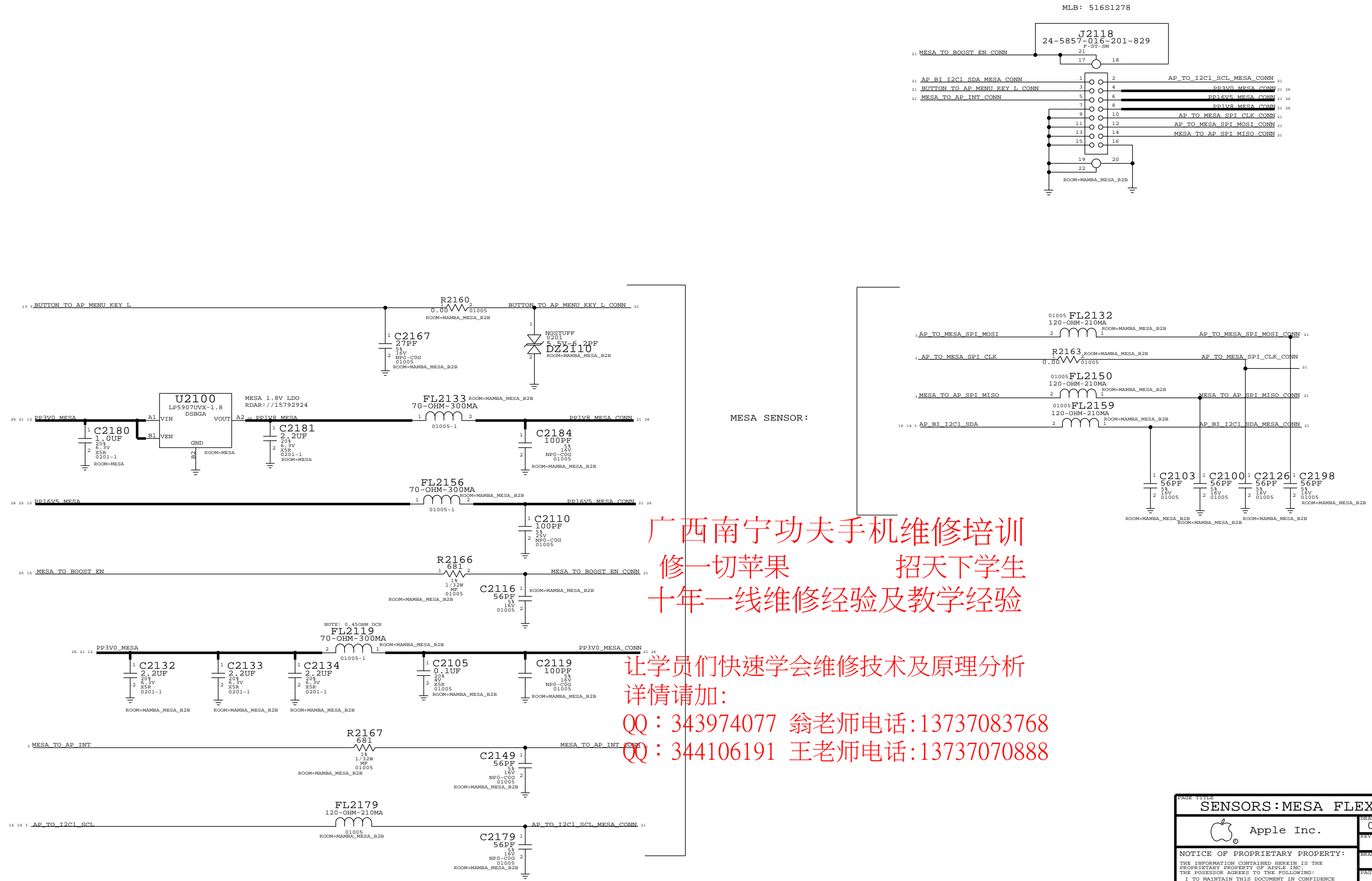


Touch



SYNC MASTER=N61_MLB		SYNC DATE=08/26/2013	
PAGE TITLE			
DISPLAY: FLEX CONN			
Apple Inc.		DRAWING NUMBER	051-9903
		REVISION	7.0.0
NOTICE OF PROPRIETARY PROPERTY:		BRANCH	
THE INFORMATION CONTAINED HEREIN IS THE PROPRIETARY PROPERTY OF APPLE INC. THE POSSESSOR AGREES TO THE FOLLOWING:		PAGE	20 OF 55
I TO MAINTAIN THIS DOCUMENT IN CONFIDENCE		SHEET	20 OF 54
II NOT TO REPRODUCE OR COPY IT			
III NOT TO REVEAL OR PUBLISH IT IN WHOLE OR PART			
IV ALL RIGHTS RESERVED			

MESA CONNECTOR



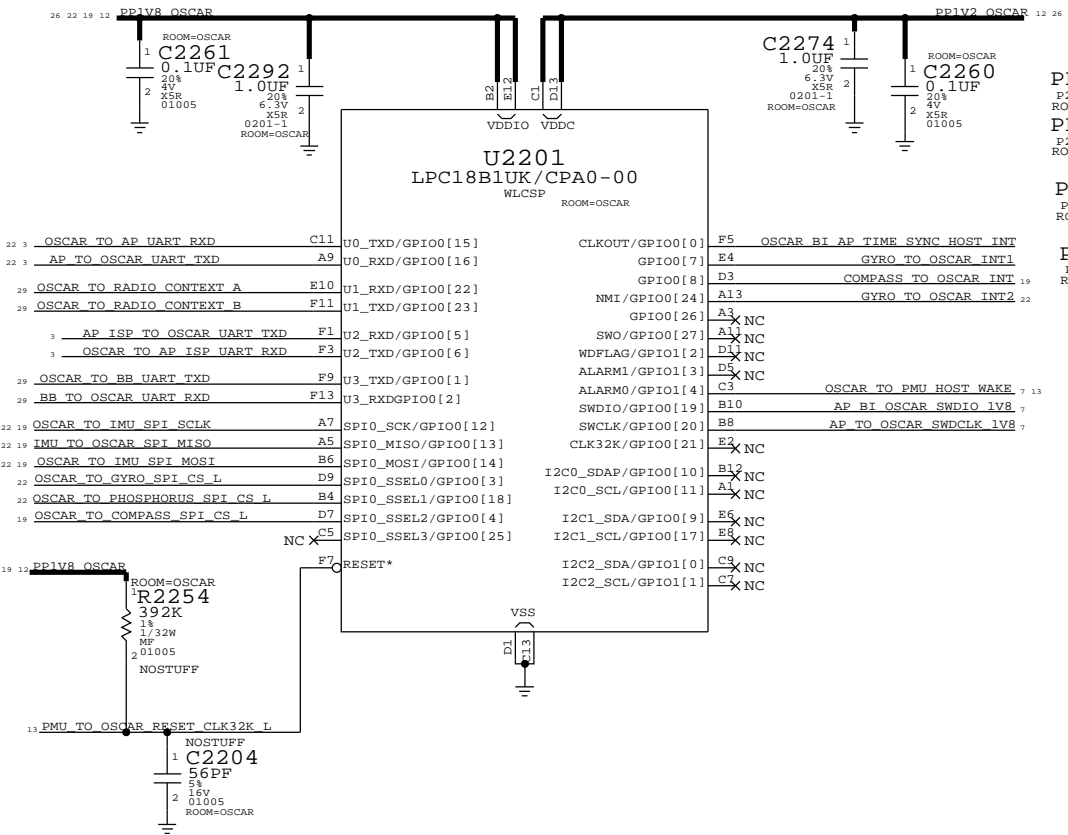
广西南宁功夫手机维修培训
修一切苹果 招天下学生
十年一线维修经验及教学经验

让学员们快速学会维修技术及原理分析
详情请加:
QQ: 343974077 翁老师电话: 13737083768
QQ: 344106191 王老师电话: 13737070888

PAGE TITLE		
SENSORS: MESA FLEX CONN		
Apple Inc.	DRAWING NUMBER	051-9903
	REVISION	7.0.0
NOTICE OF PROPRIETARY PROPERTY:		
THE INFORMATION CONTAINED HEREIN IS THE PROPRIETARY PROPERTY OF APPLE INC. THE POSSESSOR AGREES TO THE FOLLOWING:		
I TO MAINTAIN THIS DOCUMENT IN CONFIDENCE	BRANCH	
II NOT TO REPRODUCE OR COPY IT	PAGE	21 OF 55
III NOT TO REVEAL OR PUBLISH IT IN WHOLE OR PART	SHEET	21 OF 54
IV ALL RIGHTS RESERVED		

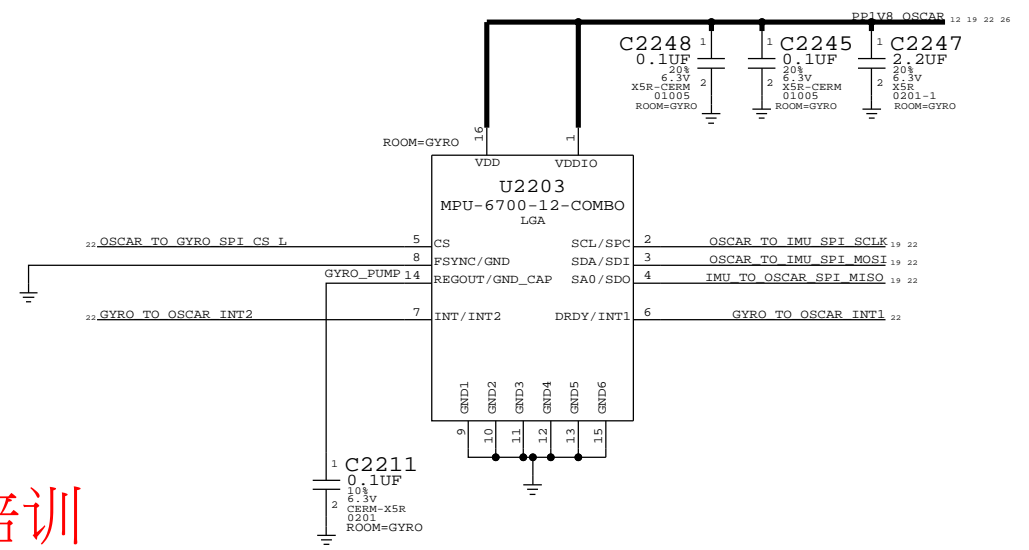
OSCAR + SENSORS

OSCAR VDDIO = 1.8V ALWAYS ON (NEED TO MAKE HOST & RUN PLL)
OSCAR CORE = 1.2V ALWAYS ON (NEED TO RUN IN SDRAM)



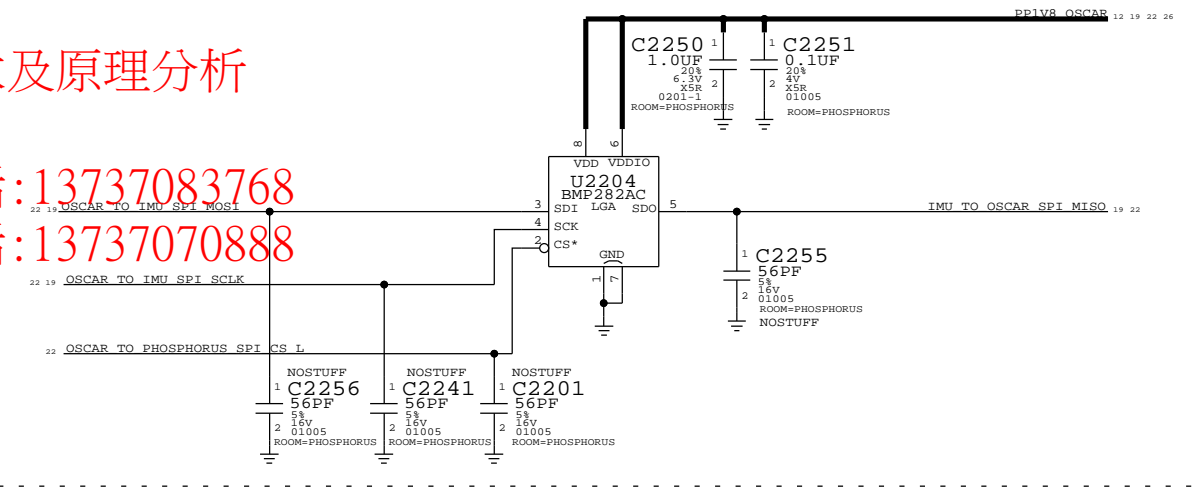
CARBON (ACCEL GYRO COMBO)

INVENSENSE, APN 338S00017, C2211=0.1UF
 BOSCH, APN 338S00028, C2211=0.1UF
 ST, APN 338S00029, C2211=0.01UF,25V



THIS IS OUTSIDE OF SHIELD IN TO THE RIGHT OF THE NAND

PHOSPHORUS



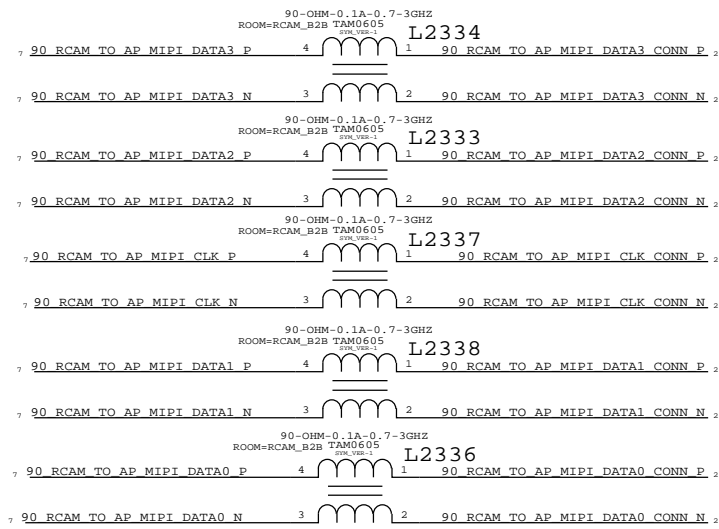
广西南宁功夫手机维修培训
 修一切苹果 招天下学生
 十年一线维修经验及教学经验

让学员们快速学会维修技术及原理分析
 详情请加:
 QQ: 343974077 翁老师电话: 13737083768
 QQ: 344106191 王老师电话: 13737070888

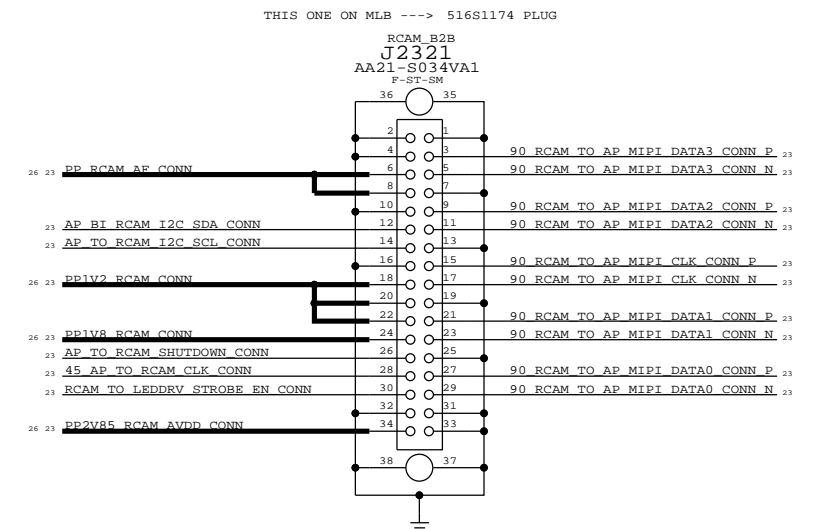
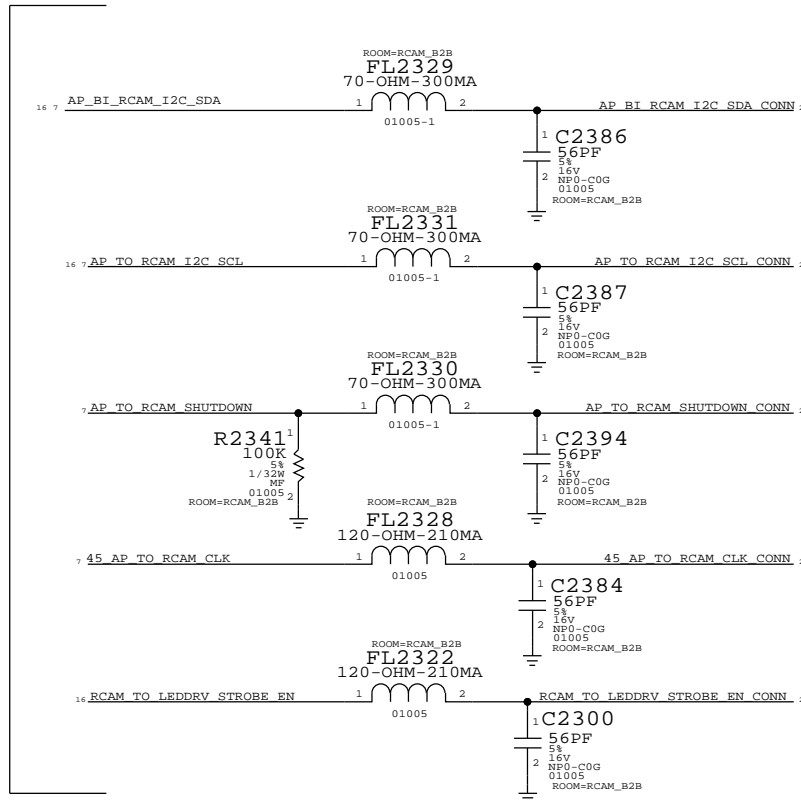
SYNC MASTER=N61 MLB		SYNC DATE=08/26/2013	
PAGE TITLE SENSORS: OSCAR, CARBON, PHOS, MAGNESIUM			
DRAWING NUMBER 051-9903		SIZE D	
REVISION 7.0.0		BRANCH	
NOTICE OF PROPRIETARY PROPERTY: THE INFORMATION CONTAINED HEREIN IS THE PROPRIETARY PROPERTY OF APPLE INC. THE POSSESSOR AGREES TO THE FOLLOWING: I TO MAINTAIN THIS DOCUMENT IN CONFIDENCE II NOT TO REPRODUCE OR COPY IT III NOT TO REVEAL OR PUBLISH IT IN WHOLE OR PART IV ALL RIGHTS RESERVED			
PAGE 22 OF 55		SHEET 22 OF 54	

RCAM B2B (REAR CAMERA CONNECTOR)

RCAM:
4-LANE MIPI



RCAM:
DIGITAL I/F
(I2C, CTRL, CLK)



广西南宁功夫手机维修培训
修一切苹果 招天下学生
十年一线维修经验及教学经验

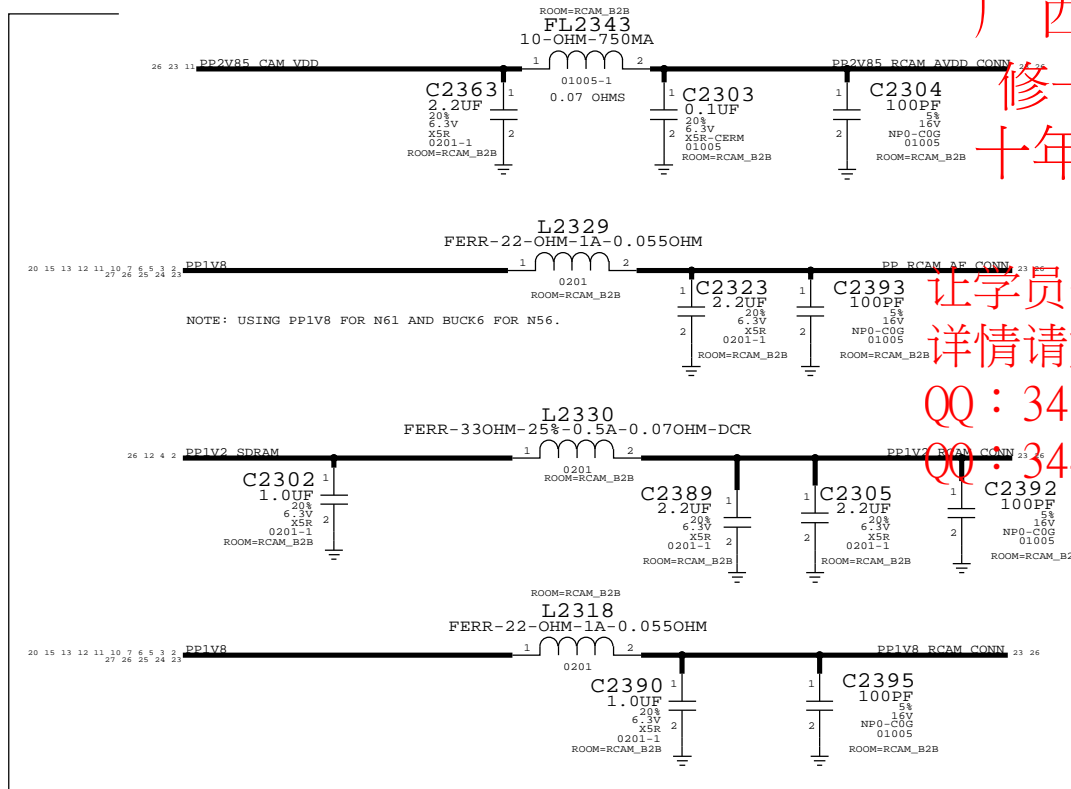
让学员们快速学会维修技术及原理分析

详情请加:

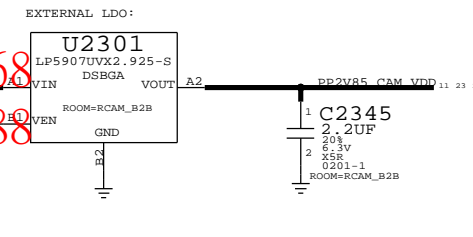
QQ: 343974077 翁老师电话: 13737083768

QQ: 344106191 王老师电话: 13737080888

RCAM:
POWER:
(1.8V DVDD)
(2.8V AVDD)
(1.2V VCC)
(1.8V/2V AF)



RCAM RCAM AVDD RAIL EXT. LDO:



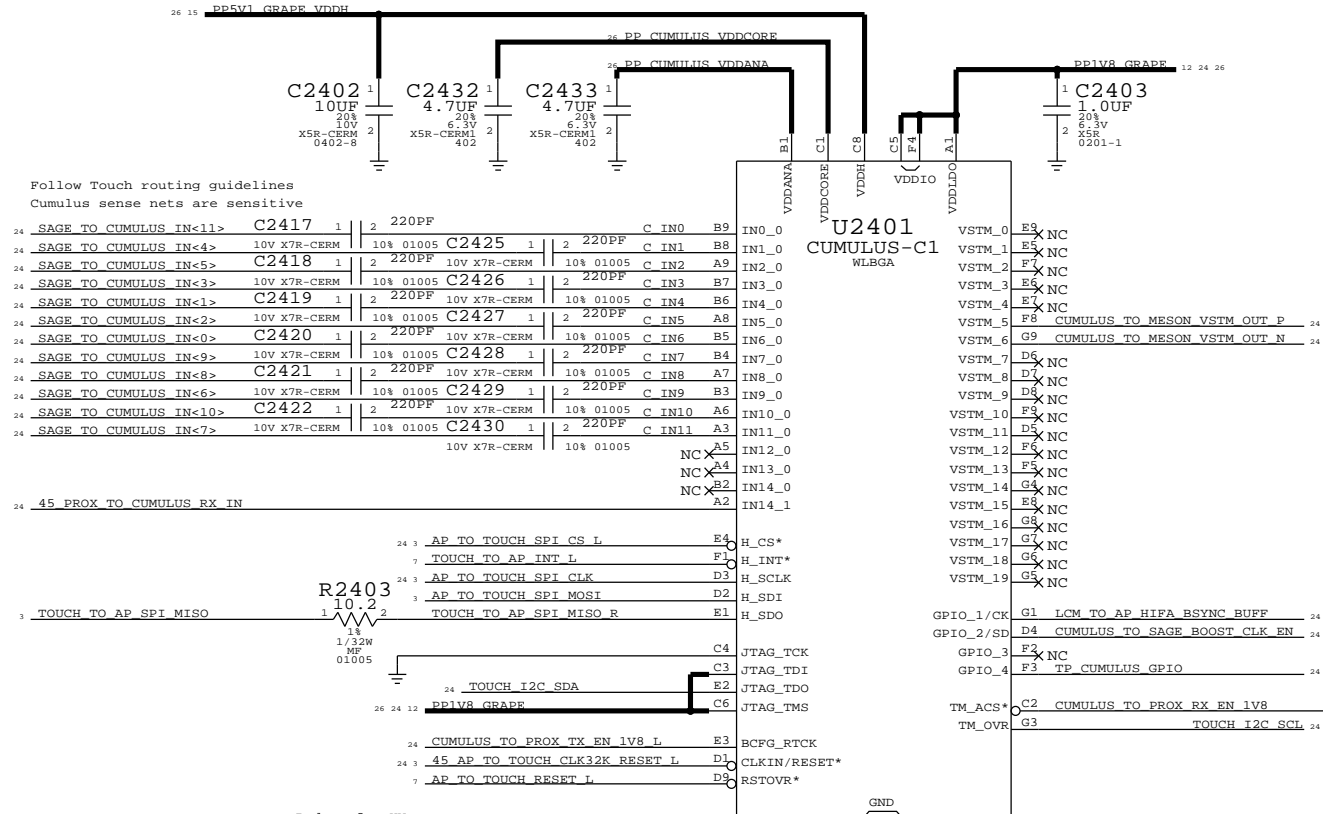
SYNC MASTER=N61 MLB		SYNC DATE=08/26/2013	
CAMERA: REAR FLEX CONN			
Apple Inc.		DRAWING NUMBER	051-9903
		REVISION	7.0.0
NOTICE OF PROPRIETARY PROPERTY:		BRANCH	
THE INFORMATION CONTAINED HEREIN IS THE PROPRIETARY PROPERTY OF APPLE INC. THE POSSESSOR AGREES TO THE FOLLOWING:		PAGE	23 OF 55
I TO MAINTAIN THIS DOCUMENT IN CONFIDENCE		SHEET	23 OF 54
II NOT TO REPRODUCE OR COPY IT			
III NOT TO REVEAL OR PUBLISH IT IN WHOLE OR PART			
IV ALL RIGHTS RESERVED			

Touch (B2B, Driver ICs)

Cumulus

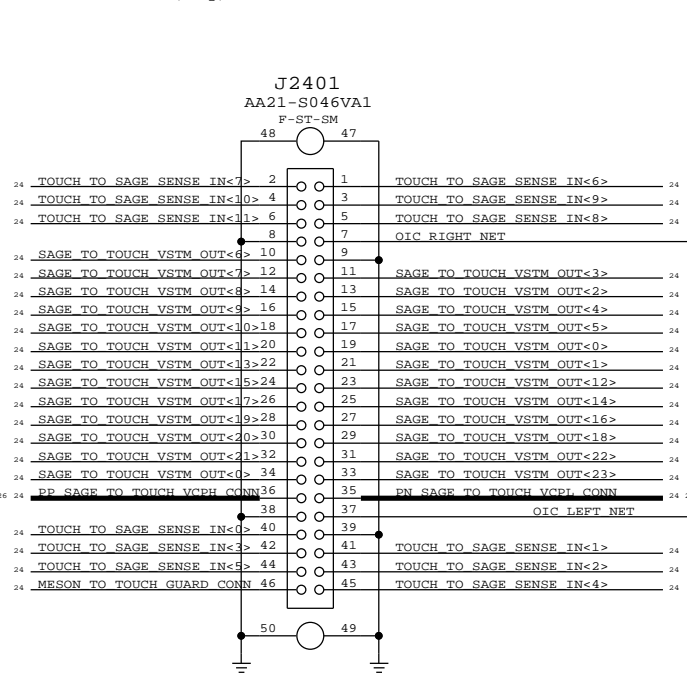
APN: 343S0638

Turn on is later than PPIV8_GRAPE
Turn off is same time as PPIV8_GRAPE



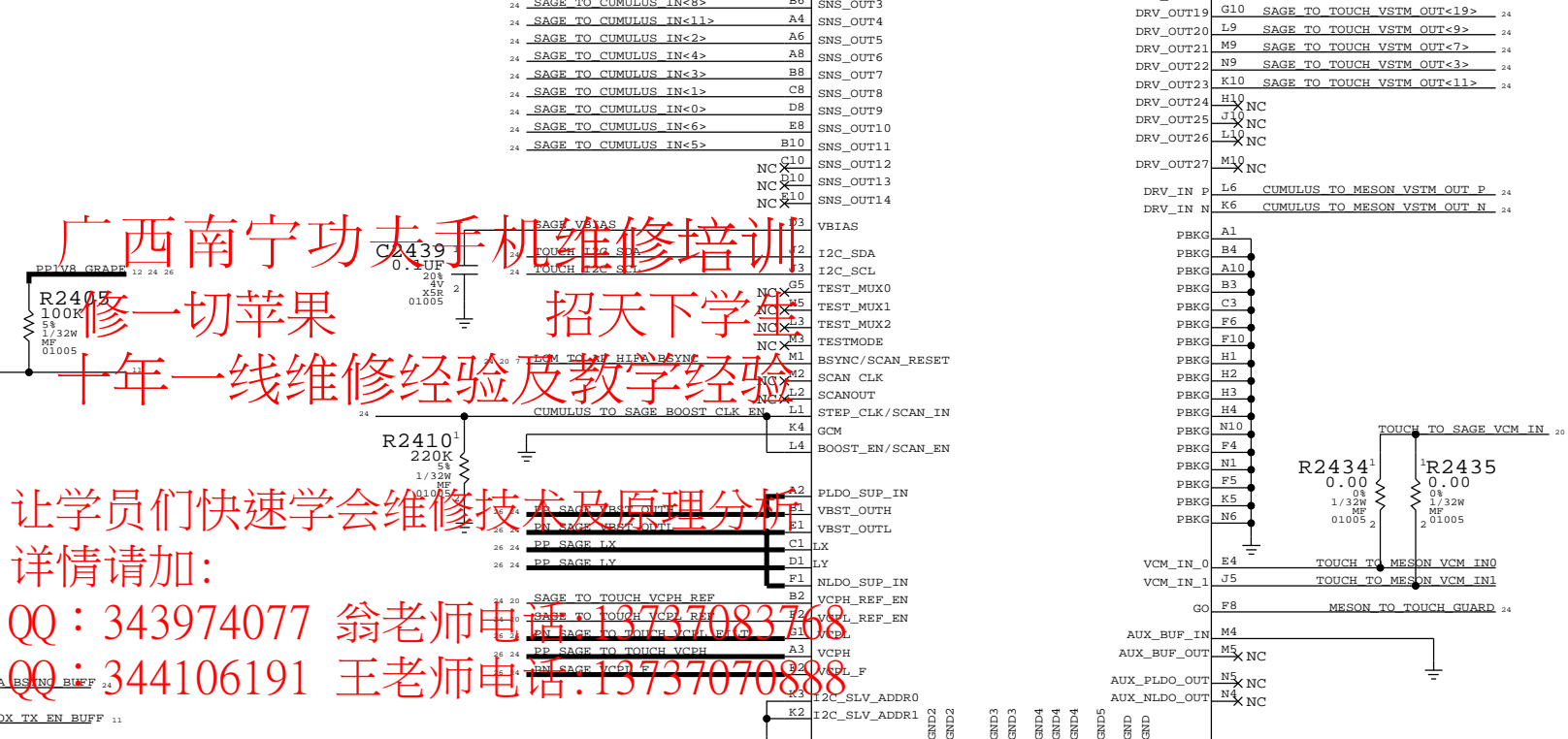
Touch B2B

MLB APN : 516S1086 (Receptacle)
Flex APN: 516S1087 (Plug)



Touch probe points

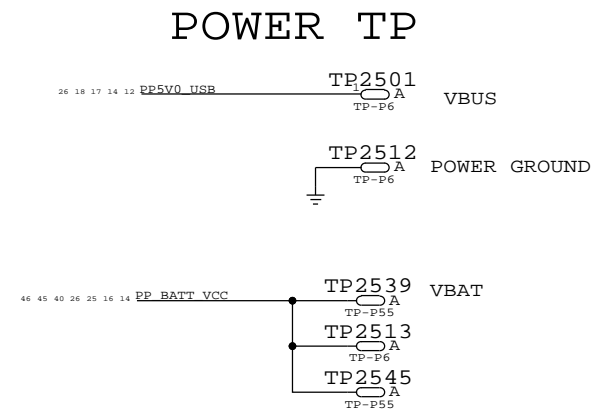
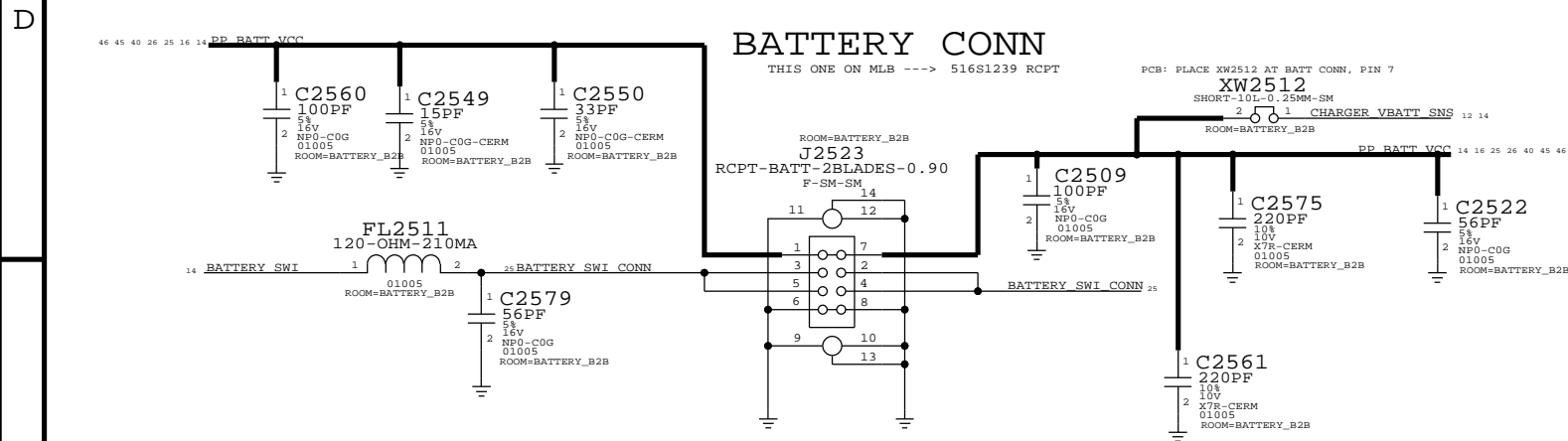
- PP2402 CUMULUS TO SAGE BOOST CLK EN
PP2403 AP TO TOUCH SPI CS L
PP2404 AP TO TOUCH SPI CLK
PP2405 LCM TO AP HIFA BSYNC
PP2408 TP CUMULUS GPIO
PP2410 CUMULUS TO MESON VSTM OUT N
PP2411 CUMULUS TO MESON VSTM OUT P
PP2412 45 AP TO TOUCH CLK32K RESET L



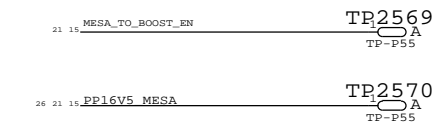
广西南宁功夫手机维修培训
修一切苹果
十年一线维修经验及教学经验
让学员们快速学会维修技术及原理分析
详情请加:
QQ: 343974077 翁老师电话: 13737070888
QQ: 344106191 王老师电话: 13737070888

Table with technical specifications and drawing information for TOUCH: CUMULUS, MESON. Includes Apple Inc. logo, drawing number 051-9903, revision 7.0.0, and page information (24 OF 55 / 24 OF 54).

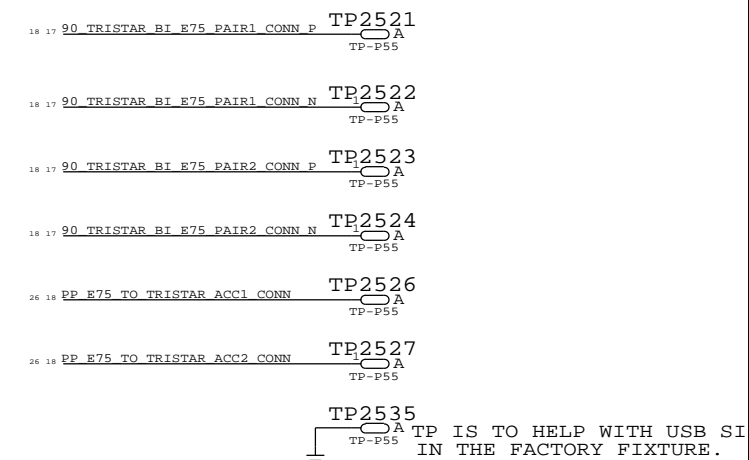
BATT CONN, TPS, STANDOFFS / SHIELDS / FIDUCIALS



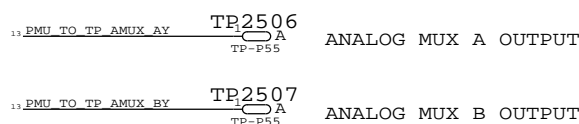
TESTPOINTS
MOJAVE TP



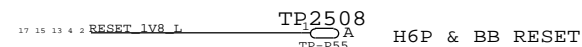
E75 - USB / UART / ID / POWER



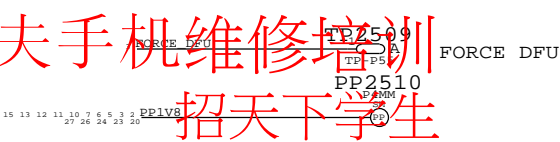
SUPER TP



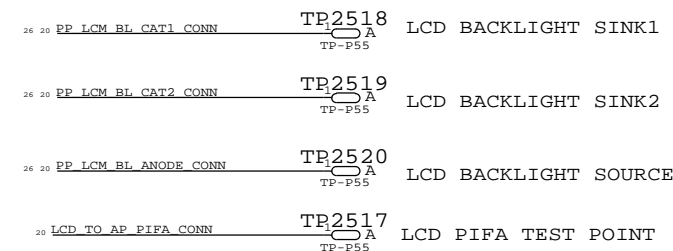
RESET



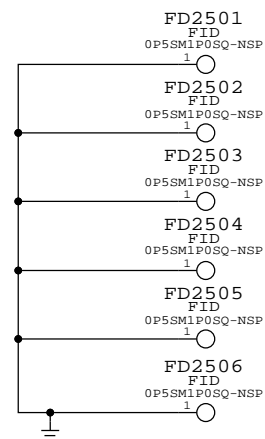
DFU



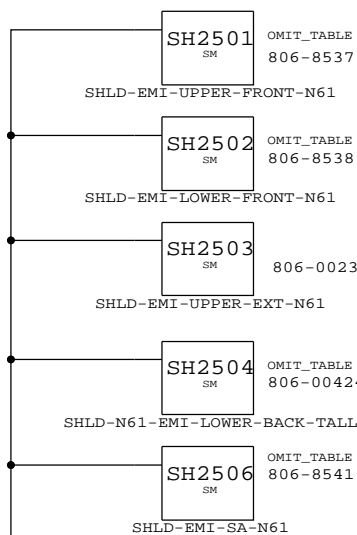
LCM BACKLIGHT



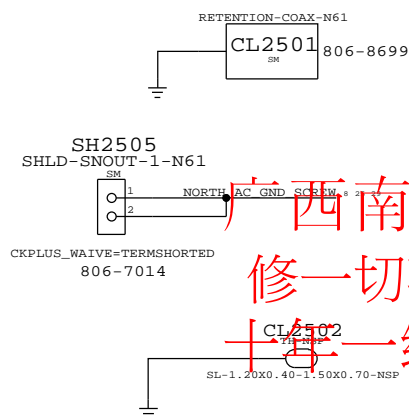
FIDUCIALS



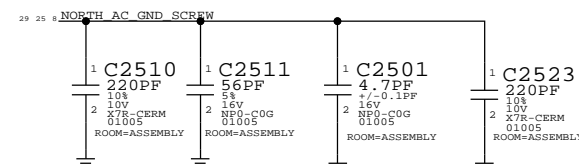
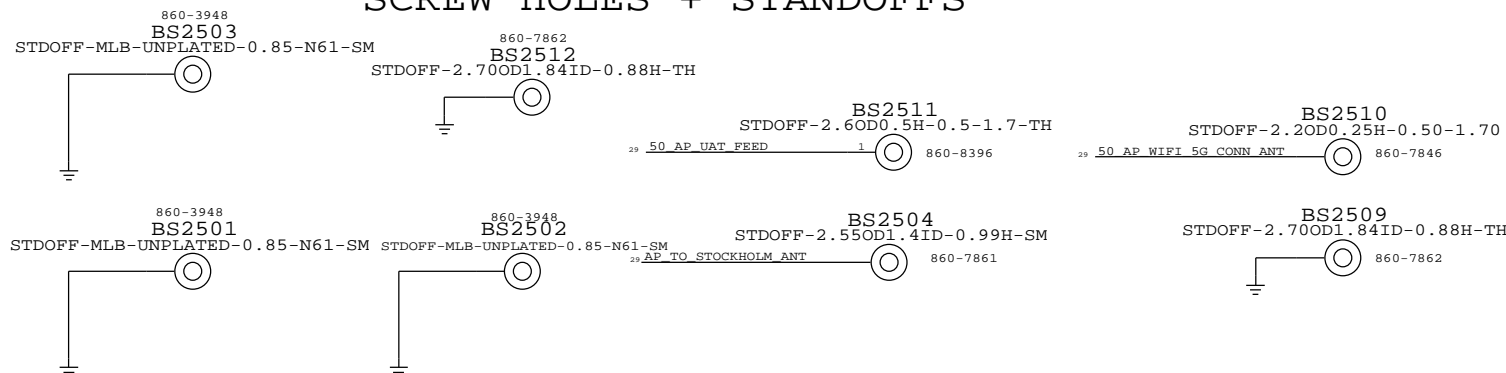
SHIELDS



COWLING



SCREW HOLES + STANDOFFS



广西南宁功夫手机维修培训
修一切苹果 招天下学生
十年一线维修经验及教学经验

让学员们快速学会维修技术及原理分析
详情请加:
QQ: 343974077 翁老师电话: 13737083768
QQ: 344106191 王老师电话: 13737070888

SYNC MASTER=N61 MLB		SYNC DATE=08/26/2013	
POWER: BATT CONN, TPS, PD FEATURES			
Apple Inc.		DRAWING NUMBER	051-9903
		REVISION	7.0.0
NOTICE OF PROPRIETARY PROPERTY:		BRANCH	
THE INFORMATION CONTAINED HEREIN IS THE PROPRIETARY PROPERTY OF APPLE INC. THE POSSESSOR AGREES TO THE FOLLOWING:		PAGE	25 OF 55
I TO MAINTAIN THIS DOCUMENT IN CONFIDENCE		SHEET	25 OF 54
II NOT TO REPRODUCE OR COPY IT			
III NOT TO REVEAL OR PUBLISH IT IN WHOLE OR PART			
IV ALL RIGHTS RESERVED			

VOLTAGE PROPERTIES

E88	VOLTAGE=3.3V	PP3V3_USB	2 12
E89	VOLTAGE=1.8V	PP1V8_VA_I19_I67	10 12 16
E90	VOLTAGE=3.0V	PP3V0_TRISTAR	12 15 17 29
E91	VOLTAGE=3.0V	PP3V0_TMI	12 19
E92	VOLTAGE=3.0V	PP3V0_WAND	6 12
E93	VOLTAGE=3.0V	PP3V3_ACC	12 17
E94	VOLTAGE=3.0V	PP3V0_PROX_AIS	11 12
E95	VOLTAGE=4.6V	PP_VCC_MAIN	10 12 14 15 16 17 23 31 39
E96	VOLTAGE=1.0V	PP1V0	7 12
E97	VOLTAGE=3.0V	PP3V0_PROX_TRIPD	11 12
E98	VOLTAGE=1.8V	PP1V8_ALWAYS	3 5 12 14
E99	VOLTAGE=3.0V	PP3V0_MESA	12 21
E00	VOLTAGE=1.1V	PP_CPU	4 12
E01	VOLTAGE=1.1V	PP_GPU	4 12
E02	VOLTAGE=1.2V	PP1V2_SDRAM	2 4 12 23
E03	VOLTAGE=1.8V	PP1V8_SDRAM	3 4 10 12 13 14 15 17 29
E04	VOLTAGE=1.8V	PP1V8	2 4 5 6 7 10 11 12 13 15 20 23
E05	VOLTAGE=1.8V	PP1V8_GRAPE	12 24
E06	VOLTAGE=1.8V	PP1V8_OSCAR	12 24
E07	VOLTAGE=1.2V	PP1V2_HAND_VDDP	12 24
E08	VOLTAGE=1.8V	PP_EXTMIC_BIAS_FILTERN	12 24
E09	VOLTAGE=1.8V	BOARD_ID2	3 27
E10	VOLTAGE=1.2V	PP1V2	3 27
E11	VOLTAGE=5.0V	PP_E75_TO_TRISTAR_ACC2_CONN	3 4 5 17 18 25
E12	VOLTAGE=5.0V	PP_E75_TO_TRISTAR_ACC2_CONN	17 18 25
E13	VOLTAGE=22.0V	PP_LCM_BI_ANODE	15 20
E14	VOLTAGE=0.2V	PP_LCM_BI_CAT1	15 20
E15	VOLTAGE=0.2V	PP_LCM_BI_CAT1_CONN	15 20
E16	VOLTAGE=0.2V	PP_LCM_BI_CAT1_CONN	20 25
E17	VOLTAGE=0.2V	PP_LCM_BI_CAT1_CONN	20 25
E18	VOLTAGE=-5.7V	PNSV7_SAGE_AVDDN	15 20 24
E19	VOLTAGE=1.2V	PP1V2_OSCAR	12 22
E20	VOLTAGE=3.0V	PP3V0_MESA	12 22
E21	VOLTAGE=6V	PP6V0_BOOST	11 16
E22	VOLTAGE=5.0V	PP_STRB_DRIVER_TO_LED_WARM	11 16
E23	VOLTAGE=5.0V	PP_STRB_DRIVER_TO_LED_WARM	11 16
E24	VOLTAGE=1.8V	PP_CODEC_TO_MIC1_BIAS	10
E25	VOLTAGE=1.8V	PP_CODEC_TO_MIC1_BIAS	10
E26	VOLTAGE=1.8V	PP_CODEC_TO_EXTMIC_BIAS	10
E27	VOLTAGE=1.8V	PP_CODEC_TO_EXTMIC_BIAS	10
E28	VOLTAGE=1.8V	PP_CODEC_TO_ARMIC2_BIAS	8 10
E29	VOLTAGE=1.8V	PP_CODEC_TO_ARMIC2_BIAS	8 10
E30	VOLTAGE=2.2V	PP_CODEC_SPKR_VO	10
E31	VOLTAGE=2.5V	PP_CODEC_WCPBLT	10
E32	VOLTAGE=2.5V	PP_CODEC_WCPBLT	10
E33	VOLTAGE=2.5V	PP_CODEC_VHP_FLN	10
E34	VOLTAGE=0.2V	PP_CODEC_VHP_FLN	10
E35	VOLTAGE=2.5V	PP_CODEC_VHP_FLN	10
E36	VOLTAGE=1.8V	PP1V8_ECAM_CONN	11
E37	VOLTAGE=3.0V	PP2V85_ECAM_AVDD_CONN	11
E38	VOLTAGE=1.8V	PP_CODEC_TO_FRONTMIC_BIAS_CONN	11
E39	VOLTAGE=3.0V	PP3V0_ALS_CONN	11
E40	VOLTAGE=1.2V	PP1V2_ECAM_VDDIO_CONN	11
E41	VOLTAGE=5.0V	PP5V0_USB	12 14 17 18 25
E42	VOLTAGE=5.0V	PP5V0_USB_TO_PMU	12
E43	VOLTAGE=4.6V	PP_BUCK5_LX0	12
E44	VOLTAGE=4.6V	PP_BUCK3_LX	12
E45	VOLTAGE=4.6V	PP_BUCK4_LX	12
E46	VOLTAGE=4.6V	PP_BUCK2_LX	12
E47	VOLTAGE=4.6V	PP_BUCK1_LX1	12
E48	VOLTAGE=4.6V	PP_BUCK1_LX0	12
E49	VOLTAGE=4.6V	PP_BUCK0_LX3	12
E50	VOLTAGE=4.6V	PP_BUCK0_LX2	12
E51	VOLTAGE=4.6V	PP_BUCK0_LX1	12
E52	VOLTAGE=4.6V	PP_BUCK0_LX0	12
E53	VOLTAGE=6.0V	PP_CHESTNUT_LXP	15
E54	VOLTAGE=6.0V	PP_CHESTNUT_CP	15
E55	VOLTAGE=6.0V	PP_CHESTNUT_CN	15
E56	VOLTAGE=5.7V	PNSV7_SAGE_AVDDH	15 24
E57	VOLTAGE=5.7V	PNSV7_SAGE_AVDDH	15 24
E58	VOLTAGE=5.1V	PP5V1_GRAPE_VDDH	15 24
E59	VOLTAGE=22.0V	PP_NLED_LX	15
E60	VOLTAGE=18.0V	PP18V0_MESA_SW	15
E61	VOLTAGE=17.0V	PP17V0_MESA_SW	15
E62	VOLTAGE=16.5V	PP16V5_MESA	15 21 25
E63	VOLTAGE=8.0V	PP_SPKAMP_SW	16
E64	VOLTAGE=8.0V	PP_L19_VBOOST	16
E65	VOLTAGE=1.8V	PP_SPKAMP_FLT	16
E66	VOLTAGE=1.8V	PP_SPKAMP_I2O_FLT	16
E67	VOLTAGE=5.0V	PP_LED_DRV_LX	16
E68	VOLTAGE=5.0V	PP_LED_BOOST_OUT	16
E69	VOLTAGE=2.9V	PP2V9_LDO9	12
E70	VOLTAGE=1.8V	PP_CODEC_TO_MIC1_BIAS_CONN	18
E71	VOLTAGE=4.6V	PP_E75_TO_TRISTAR_ACC2_CONN	17 18
E72	VOLTAGE=4.6V	PP_E75_TO_TRISTAR_ACC2_CONN	18 25
E73	VOLTAGE=1.8V	PP1V8_LCM_CONN	20
E74	VOLTAGE=22.0V	PP_LCM_BI_ANODE_CONN	20 25
E75	VOLTAGE=-5.7V	PNSV7_LCM_AVDDN_CONN	20
E76	VOLTAGE=5.7V	PP5V7_LCM_AVDDH_CONN	20
E77	VOLTAGE=1.8V	PP1V8_MESA	21
E78	VOLTAGE=16.5V	PP16V5_MESA_CONN	21
E79	VOLTAGE=5.0V	PP_TRISTAR_PIN	17
E80	VOLTAGE=1.2V	PP_CODEC_TO_MIC1_BIAS_CONN	21
E81	VOLTAGE=1.8V	PP1V8_ECAM_CONN	21
E82	VOLTAGE=3.0V	PP3V0_ECAM_CONN	21
E83	VOLTAGE=1.8V	PP1V8_ECAM_CONN	21
E84	VOLTAGE=1.8V	PP_CODEC_TO_ARMIC2_BIAS_CONN	21
E85	VOLTAGE=2.5V	PP_CODEC_VHP_FLN_CONN	21
E86	VOLTAGE=13.5V	PP_SAGE_TO_TOUCH_WCPH	24
E87	VOLTAGE=-12V	PP_SAGE_TO_TOUCH_WCPH	24
E88	VOLTAGE=1.8V	PP_PMU_VREF	13
E89	VOLTAGE=14V	PP_SAGE_VBST_OUTH	24
E90	VOLTAGE=5.0V	PP1V85_VDDP	12
E91	VOLTAGE=5.0V	PP1V85_VDDP	12
E92	VOLTAGE=1.8V	PP1V85_VDDP	12
E93	VOLTAGE=1.8V	PP1V85_VDDP	12
E94	VOLTAGE=1.8V	PP1V85_VDDP	12
E95	VOLTAGE=1.8V	PP1V85_VDDP	12
E96	VOLTAGE=1.8V	PP1V85_VDDP	12
E97	VOLTAGE=1.8V	PP1V85_VDDP	12
E98	VOLTAGE=1.8V	PP1V85_VDDP	12
E99	VOLTAGE=1.8V	PP1V85_VDDP	12
E00	VOLTAGE=1.8V	PP1V85_VDDP	12
E01	VOLTAGE=4.6V	PP_BATT_VCC	14 16 25 40 45 46
E02	VOLTAGE=1.8V	PP1V8_MESA_CONN	21
E03	VOLTAGE=3.0V	PP3V0_PROX_CONN	11
E04	VOLTAGE=1.0V	PP0V95_FIXED_SOC	4 7 12
E05	VOLTAGE=1.0V	PP0V95_FIXED_SOC_PCIE	7
E06	VOLTAGE=1.2V	PP1V2_BLL	2
E07	VOLTAGE=1.0V	PP_BUCK5_LX1	12
E08	VOLTAGE=1.0V	PP_VIB_SOC	5 12
E09	VOLTAGE=5.0V	PPMID_CAP	14
E10	VOLTAGE=5.0V	CHARGER_LDO	14
E11	VOLTAGE=4.6V	CHG_BOOT	14
E12	VOLTAGE=4.6V	CHG_LX	14
E13	VOLTAGE=3.0V	VIBRE_DRIVE_P	14 18
E14	VOLTAGE=3.0V	VIBRE_DRIVE_N	14 18
E15	VOLTAGE=1.8V	PP_ECAM_AE_CONN	23
E16	VOLTAGE=-14.0V	PP_SAGE_VBST_OUTH	24
E17	VOLTAGE=-12.0V	PP_SAGE_TO_TOUCH_WCPH_FLT	24
E18	VOLTAGE=2.7V	PP_BB_VDD_2V7_CONN	18

南宁功去手机维修培训
 一切苹果 招天下学生
 十年一线维修经验及教学经验
 学员们快速学会维修技术及原理分析
 详情请加:
 QQ: 343974077 翁老师电话: 1377083768
 QQ: 344106191 王老师电话: 1377070888

PAGE TITLE		
SYSTEM:VOLTAGE PROPERTIES		
Apple Inc.		DRAWING NUMBER 051-9903
REVISION 7.0.0		SIZE D
NOTICE OF PROPRIETARY PROPERTY:		
THE INFORMATION CONTAINED HEREIN IS THE PROPRIETARY PROPERTY OF APPLE INC. THE POSSESSOR AGREES TO THE FOLLOWING:		
I TO MAINTAIN THIS DOCUMENT IN CONFIDENCE		
II NOT TO REPRODUCE OR COPY IT		
III NOT TO REVEAL OR PUBLISH IT IN WHOLE OR PART		
IV ALL RIGHTS RESERVED		
PAGE 26 OF 55		SHEET 26 OF 54

N61 SPECIFIC

BOOTSTRAPPING (BOARD_REV, BOARD_ID, BOOT_CFG)

```

BOARD_REV[3:0]={GPIO34, GPIO35, GPIO36, GPIO37}
FLOAT=LOW, PULLUP=HIGH
1111 PROTOMLB1
1110 PROTOMLB2
1101 PROTO1
1100 PROTO2
1011 EVT
1010 EVT SPLIT CARBON DOE
1001 CARRIER BUILD <--- SELECTED
1000 DVT

```

```

BOARD_ID[4:0]={GPIO29, GPIO16, SPI0_MISO, SPI0_MOSI, SPI0_SCLK}
FLOAT=LOW, PULLUP=HIGH
00100 N56, T133 MLB
00101 N56 DEV
00110 FIJI N61 MLB <--- SELECTED

```

```

BOOT_CONFIG[2:0]={GPIO28, GPIO25, GPIO18}
FLOAT=LOW, PULLUP=HIGH
000 SPI0
001 SPI0 TEST MODE
010 NAND <--- SELECTED
011 NAND TEST MODE
100 NVME
101 NVME TEST MODE
111 FAST SPI

```

广西南宁功夫手机维修培训
 修一切苹果 招天下学生
 十年一线维修经验及教学经验

让学员们快速学会维修技术及原理分析
 详情请加:

QQ: 343974077 翁老师电话: 13737083768

QQ: 344106191 王老师电话: 15737070888


PAGE TITLE		
SYSTEM:N61 SPECIFIC		
Apple Inc.	DRAWING NUMBER	051-9903
	REVISION	7.0.0
NOTICE OF PROPRIETARY PROPERTY:		BRANCH
THE INFORMATION CONTAINED HEREIN IS THE PROPRIETARY PROPERTY OF APPLE INC. THE POSSESSOR AGREES TO THE FOLLOWING:		PAGE
I TO MAINTAIN THIS DOCUMENT IN CONFIDENCE		27 OF 55
II NOT TO REPRODUCE OR COPY IT		SHEET
III NOT TO REVEAL OR PUBLISH IT IN WHOLE OR PART		27 OF 54
IV ALL RIGHTS RESERVED		

广西南宁功夫手机维修培训
修一切苹果 招天下学生
十年一线维修经验及教学经验

让学员们快速学会维修技术及原理分析
详情请加：

QQ：343974077 翁老师电话：13737083768

QQ：344106191 王老师电话：13737070888

PAGE TITLE		BLANK	
 Apple Inc.	DRAWING NUMBER	051-9903	SIZE D
	REVISION	7.0.0	
NOTICE OF PROPRIETARY PROPERTY:		BRANCH	
THE INFORMATION CONTAINED HEREIN IS THE PROPRIETARY PROPERTY OF APPLE INC. THE POSSESSOR AGREES TO THE FOLLOWING:		PAGE	
I TO MAINTAIN THIS DOCUMENT IN CONFIDENCE		28 OF 55	
II NOT TO REPRODUCE OR COPY IT		SHEET	
III NOT TO REVEAL OR PUBLISH IT IN WHOLE OR PART		28 OF 54	
IV ALL RIGHTS RESERVED			

RADIO_MLB HIERARCHICAL SYMBOL

POWER

VCC_MAIN, VBAT GOES TO RADIO_MLB DIRECTLY
CHECK ALL PAGES IN RF SIDE!

CELLULAR HOUSE KEEPING

Table with columns: Signal Name, MAKE_BASE-THRU, Value, and Reference. Includes signals like AP_TO_RADIO_ON_L, BB_TO_AP_RESET_DET_L, PMU_TO_BB_RST_L, etc.

HSIC IPC

Table with columns: Signal Name, MAKE_BASE-THRU, Value, and Reference. Includes signals like 50_AP_BI_BB_HSIC1_DATA, 50_BB_HSIC_DATA, 50_BB_HSIC_STROBE, etc.

UART IPC

Table with columns: Signal Name, MAKE_BASE-THRU, Value, and Reference. Includes signals like AP_TO_BB_UART2_RTS_L, BB_UART2_RTS_L, AP_TO_BB_UART2_CTS_L, etc.

AUDIO I2S

Table with columns: Signal Name, MAKE_BASE-THRU, Value, and Reference. Includes signals like 45_AP_TO_BB_I2S3_BCLK, BB_I2S_CLK, AP_TO_BB_I2S3_DOUT, etc.

OSCAR UART

Table with columns: Signal Name, MAKE_BASE-THRU, Value, and Reference. Includes signals like OSCAR_TO_BB_UART_TXD, BB_OTHER_UART_TXD, BB_TO_OSCAR_UART_RXD, etc.

BB DEBUG INTERFACES

Table with columns: Signal Name, MAKE_BASE-THRU, Value, and Reference. Includes signals like AP_TO_BB_COREDUMP, BB_CORE_DUMP, PMU_TO_BB_VBUS_DET, etc.

RADIO ANTENNA CONTROL

Table with columns: Signal Name, MAKE_BASE-THRU, Value, and Reference. Includes signals like PP_BB_VDD_2V7, PP_LDO14_RFSW, BB_GPIO0, etc.

FCT TESTING

Table with columns: Signal Name, MAKE_BASE-THRU, Value, and Reference. Includes signals like RADIO_TO_PMU_ADC_SMP51, ADC_SMP51, RADIO_TO_PMU_ADC_PP_LD011_VDDIO, etc.

UPPER RADIO ANTENNA CONTROL

Table with columns: Signal Name, MAKE_BASE-THRU, Value, and Reference. Includes signals like 50_AP_WIFI_5G_CONN_ANT, 50_UPPER_ANT_FEED, UAT_ANT_GND, etc.

POWER



WLAN/BT HOUSE KEEPING

Table with columns: Signal Name, MAKE_BASE-THRU, Value, and Reference. Includes signals like 45_PMU_TO_WLAN_CLK32K, CLK32K_AP, PMU_TO_WLAN_REG_ON, etc.

Table with columns: Signal Name, MAKE_BASE-THRU, Value, and Reference. Includes signals like AP_TO_WLAN_JTAG_SWCLK, WLAN_JTAG_SWCLK, AP_TO_WLAN_JTAG_SWDIO, etc.

WLAN HSIC IPC

Table with columns: Signal Name, MAKE_BASE-THRU, Value, and Reference. Includes signals like WLAN_TO_BB_UART4_RXD, WLAN_UART_RXD, WLAN_TO_BB_UART4_TXD, etc.

BT UART IPC

Table with columns: Signal Name, MAKE_BASE-THRU, Value, and Reference. Includes signals like AP_TO_BB_UART1_CTS_L, BT_UART_CTS_L, BT_TO_AP_UART1_CTS_L, etc.

BT AUDIO PCM

Table with columns: Signal Name, MAKE_BASE-THRU, Value, and Reference. Includes signals like 45_AP_TO_BT_I2S1_BCLK, BT_PCM_CLK, AP_TO_BT_I2S1_DOUT, etc.

OSCAR STATES

Table with columns: Signal Name, MAKE_BASE-THRU, Value, and Reference. Includes signals like OSCAR_TO_RADIO_CONTEXT_A, OSCAR_CONTEXT_A, OSCAR_TO_RADIO_CONTEXT_B, etc.

STOCKHOLM

Table with columns: Signal Name, MAKE_BASE-THRU, Value, and Reference. Includes signals like STOCKHOLM_TO_AP_UART3_CTS_L, STOCKHOLM_RTS_L, AP_TO_STOCKHOLM_UART3_RTS_L, etc.

南宁功夫手机维修培训
修一切苹果
十年一线维修经验及教学经验

让学员们快速学会维修技术及原理分析
详情请加:
QQ: 343974077 翁老师电话: 13737083768
QQ: 344106191 王老师电话: 13737070888

CELL: ALIASES
Apple Inc.
DRAWING NUMBER: 051-9903
REVISION: 7.0.0
PAGE: 30 OF 55
SHEET: 29 OF 54

AP INTERFACE & DEBUG CONNECTORS

PROBE POINTS

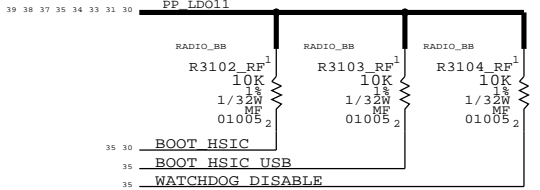
PP3105_RF P2MM-NSM SM 1 CLK32K_AP 29 51	PP3121_RF P2MM-NSM SM 1 STOCKHOLM_HOST_WAKE 29 52	PP3115_RF P4MM-NSM SM 1 50_BB_HSIC_STROBE 29 34	PP3130_RF P4MM-NSM SM 1 BB_JTAG_RST_L 29 34	PP3141_RF P4MM-NSM SM 1 BB_UART_TXD 29 35	PP3170_RF P4MM-NSM SM 1 RFFE1_CLK 35 39 40 41 42 43 44
PP3113_RF P4MM-NSM SM 1 BB_COEX_UART_RXD 35 51	PP3122_RF P4MM-NSM SM 1 BB_REQUEST_XO_CLK 32 52	PP3116_RF P4MM-NSM SM 1 50_BB_HSIC_DATA 29 34	PP3131_RF P4MM-NSM SM 1 BB_JTAG_TCK 29 34	PP3142_RF P4MM-NSM SM 1 BB_UART_RXD 29 35	PP3171_RF P4MM-NSM SM 1 RFFE1_DATA 35 39 40 41 42 43 44
PP3114_RF P4MM-NSM SM 1 BB_COEX_UART_TXD 35 51	PP3123_RF P2MM-NSM SM 1 STOCKHOLM_UART_RXD 29 52	PP3101_RF P4MM-NSM SM 1 BB_DEBUG_ERROR 35	PP3132_RF P4MM-NSM SM 1 BB_JTAG_TMS 29 34	PP3143_RF P4MM-NSM SM 1 BB_UART_RTS_L 29 35	PP3172_RF P4MM-NSM SM 1 RFFE2_CLK 35 45 46 48
PP3119_RF P2MM-NSM SM 1 BT_UART_TXD 29 51	PP3124_RF P2MM-NSM SM 1 STOCKHOLM_UART_TXD 29 52	PP3102_RF P4MM-NSM SM 1 RF_PMIC_RESET_L 29 32	PP3133_RF P4MM-NSM SM 1 BB_JTAG_TDO 29 34	PP3144_RF P4MM-NSM SM 1 BB_UART_CTS_L 29 35	PP3173_RF P4MM-NSM SM 1 RFFE2_DATA 35 45 46 48
PP3120_RF P2MM-NSM SM 1 BT_UART_RXD 29 51	PP3125_RF P2MM-NSM SM 1 STOCKHOLM_CTS_L 29 52	PP3103_RF P4MM-NSM SM 1 PS_HOLD_PMIC 32	PP3134_RF P4MM-NSM SM 1 BB_JTAG_TDI 29 34	PP3145_RF P4MM-NSM SM 1 BB_HOST_RDY 29 35	PP3175_RF P4MM-NSM SM 1 BB_I2S_WS 29 35
PP3152_RF P2MM-NSM SM 1 WAKE_BT 29 51	PP3126_RF P2MM-NSM SM 1 STOCKHOLM_RTS_L 29 52	PP3127_RF P4MM-NSM SM 1 PMIC_RESOUT_L 32 34	PP3135_RF P4MM-NSM SM 1 BB_JTAG_TEST_L 29 34	PP3146_RF P4MM-NSM SM 1 BB_DEVICE_RDY 29 35	PP3176_RF P4MM-NSM SM 1 BB_I2S_RXD 29 35
PP3153_RF P2MM-NSM SM 1 WLAN_REG_ON 29 51	PP3128_RF P4MM-NSM SM 1 PP_PN65_VCC_SIM 52	PP3104_RF P4MM-NSM SM 1 MDM_CLK 32 34	PP3136_RF P4MM-NSM SM 1 BB_DEBUG_STATUS 29 35	PP3147_RF P4MM-NSM SM 1 BB_WAKE_HOST_L 29 35	PP3177_RF P4MM-NSM SM 1 BB_I2S_TXD 29 35
PP3154_RF P4MM-NSM SM 1 BT_REG_ON 29 51	PP3174_RF P4MM-NSM SM 1 STOCKHOLM_SIM_SWP 52 54	PP3109_RF P4MM-NSM SM 1 PP_LD011 30 31 33	PP3137_RF P4MM-NSM SM 1 BB_FORCE_TIMER 29 35	PP3148_RF P4MM-NSM SM 1 BB_WAKE_HOST_L 29 35	PP3178_RF P4MM-NSM SM 1 BB_OTHER_TXD 29 35
PP3155_RF P2MM-NSM SM 1 HOST_WAKE_WLAN 29 51	PP3129_RF P4MM-NSM SM 1 REF_CLK_FROM_BB 32 52	PP3110_RF P4MM-NSM SM 1 RADIO_ON_L 29 32	PP3138_RF P4MM-NSM SM 1 BB_USE_DEBUG 29 35	PP3149_RF P4MM-NSM SM 1 BB_RESET_TMR 29 35	PP3179_RF P4MM-NSM SM 1 BB_OTHER_RXD 29 35
PP3156_RF P2MM-NSM SM 1 WLAN_PCIE_WAKE_L 29 51	PP3165_RF P4MM-NSM SM 1 DSDS_SIM_CLK 34 54	PP3111_RF P4MM-NSM SM 1 SPMI_DATA 32 34	PP3139_RF P4MM-NSM SM 1 90_BB_USB_N 29 34	PP3150_RF P4MM-NSM SM 1 BB_RST_L 29 32	
PP3157_RF P4MM-NSM SM 1 WLAN_PCIE_PERST_L 29 51	PP3183_RF P4MM-NSM SM 1 DSDS_SIM_RESET 34 54	PP3112_RF P4MM-NSM SM 1 SPMI_CLK 32 34	PP3140_RF P4MM-NSM SM 1 90_BB_USB_P 29 34	PP3151_RF P4MM-NSM SM 1 BOOT_HSIC 30 35	
PP3158_RF P4MM-NSM SM 1 WLAN_PCIE_CLKREQ_L 29 51	PP3184_RF P4MM-NSM SM 1 DSDS_SIM_DATA 34 54				
PP3159_RF P4MM-NSM SM 1 PCIE_DEV_WAKE 29 51	PP3188_RF P4MM-NSM SM 1 DSDS_SIM_DETECT 34				
PP3160_RF P4MM-NSM SM 1 WLAN_UART_RTS_L 29 51	PP3187_RF P4MM-NSM SM 1 PP_LD06 31 33 54				
PP3161_RF P4MM-NSM SM 1 WLAN_UART_CTS_L 29 51	PP3189_RF P4MM-NSM SM 1 DSDS_SIM_SWP 54				
PP3162_RF P4MM-NSM SM 1 WLAN_UART_RXD 29 51	PP3180_RF P4MM-NSM SM 1 DSDS_SIM_DATA_R 54				
PP3163_RF P4MM-NSM SM 1 WLAN_UART_TXD 29 51	PP 3178_RF P2MM-NSM SM 1 BB_SIM_RESET 30 35				
PP3190_RF P4MM-NSM SM 1 WLAN_JTAG_SWCLK 29 51	PP 3179_RF P2MM-NSM SM 1 BB_SIM_CLK 30 35				
PP3191_RF P4MM-NSM SM 1 WLAN_JTAG_SWDIO 29 51	PP 3180_RF P2MM-NSM SM 1 BB_SIM_DATA 30 35				
	PP 3183_RF P2MM-NSM SM 1 BB_SIM_DETECT 30 35				
	PP 3184_RF P2MM-NSM SM 1 PP_LD05 30 31 33 54				

广西南宁功夫手机维修培训
修一切苹果
十年一线维修经验及教学经验

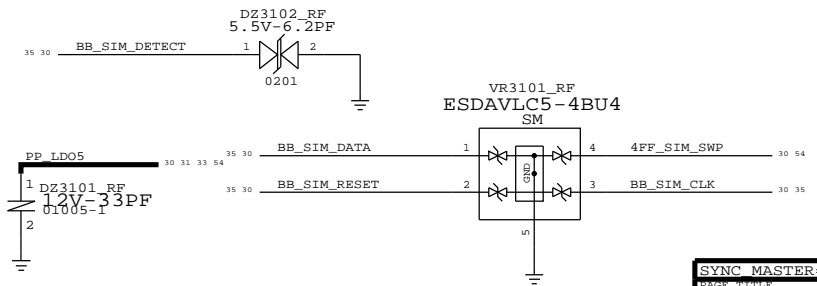
让学员们快速学会维修技术及原理分析
详情请加:

QQ: 343974077 翁老师电话: 13737083768
QQ: 344106191 王老师电话: 13737070888

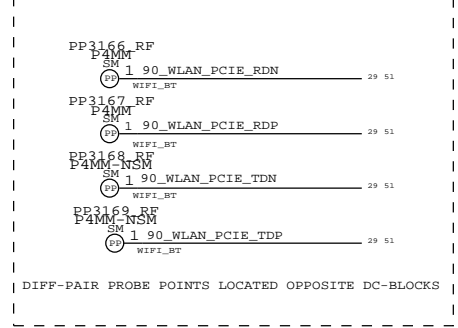
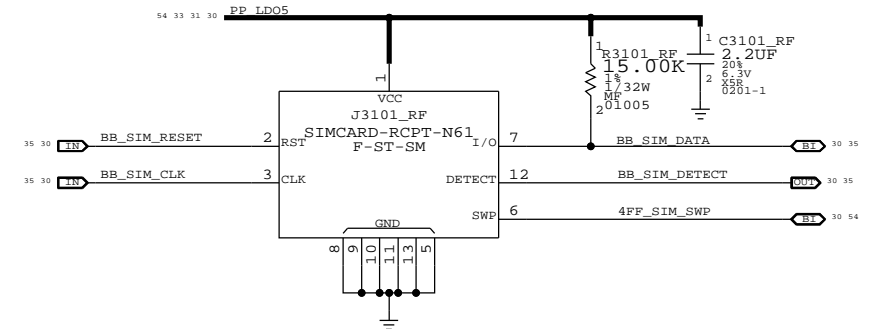
PART NUMBER	ALTERNATE PART NUMBER	HOW OBTAIN	REF. REF.	COMMENTS
197S0565	197S0593	ALTERNATE	Y3301_RF	KDS 19.2MM KVAL
197S0598	197S0593	ALTERNATE	Y3301_RF	AVX18.2MM XTAL
138S00005	138S00005	ALTERNATE	C3216_RF	150F CAPACITOR
138S0739	138S0706	ALTERNATE	C4207_RF	1.0UF CAPACITOR
138S0945	138S0706	ALTERNATE	C4207_RF	1.0UF CAPACITOR
138S1103	138S0719	ALTERNATE	C4007_RF	4.7UF CAPACITOR
339S0231	339S0228	ALTERNATE	U5201_RF	CORONA MODULE USI
339S0242	339S0228	ALTERNATE	U5201_RF	CORONA MODULE TDK
155S00024	155S0950	ALTERNATE	F_TRI_RF	TRIPLEXER BIN2



SIM CARD ESD PROTECTION

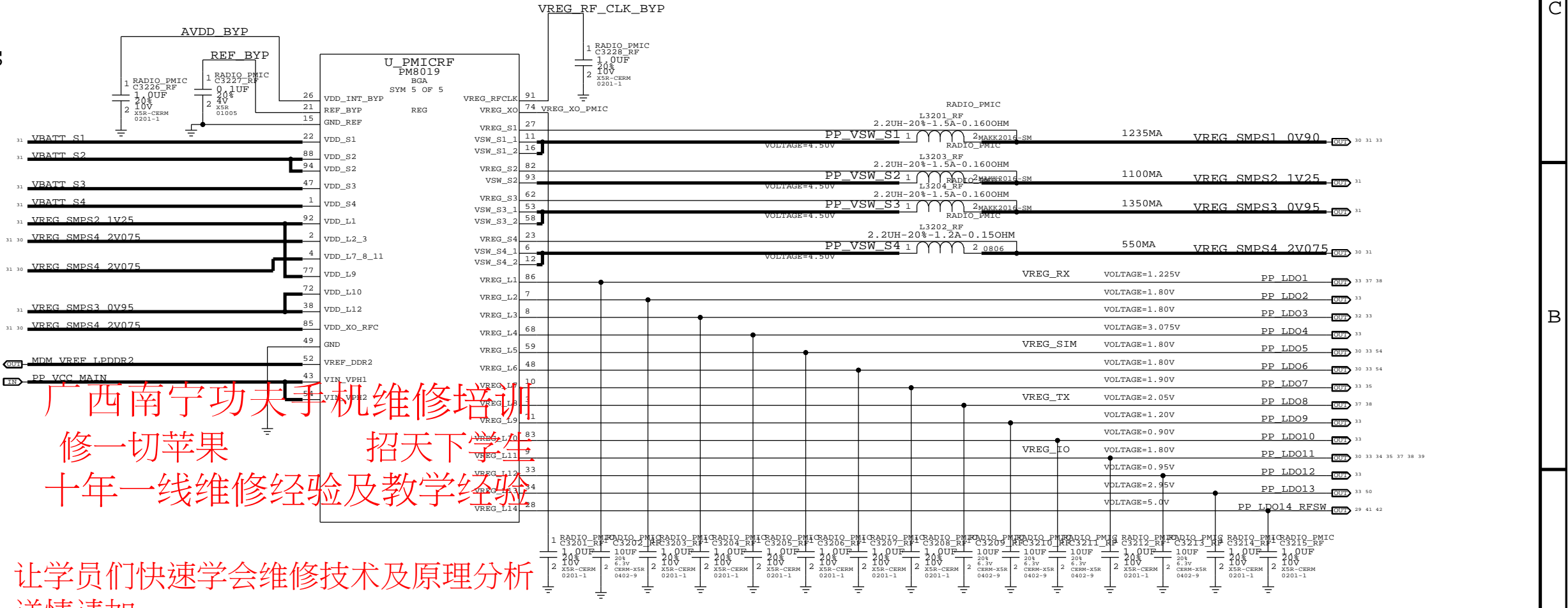
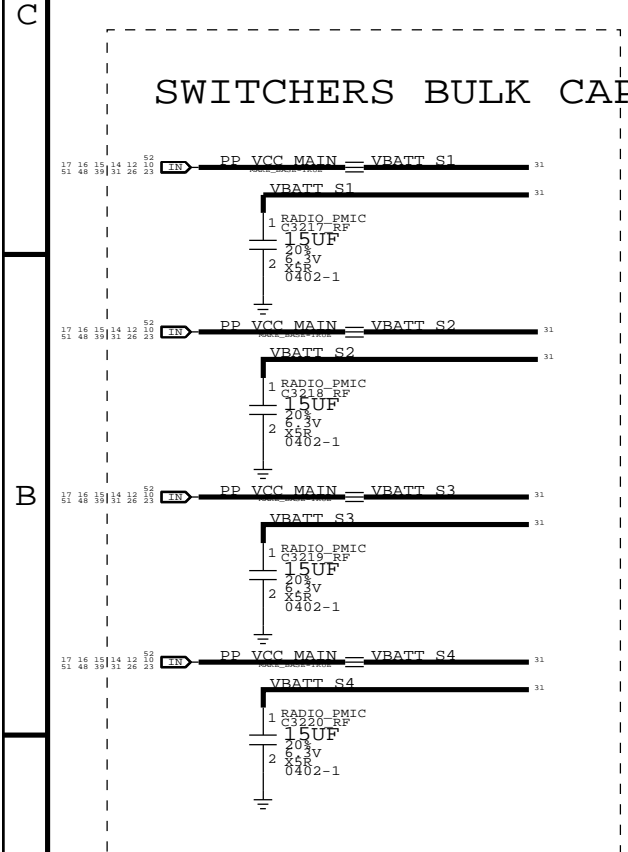
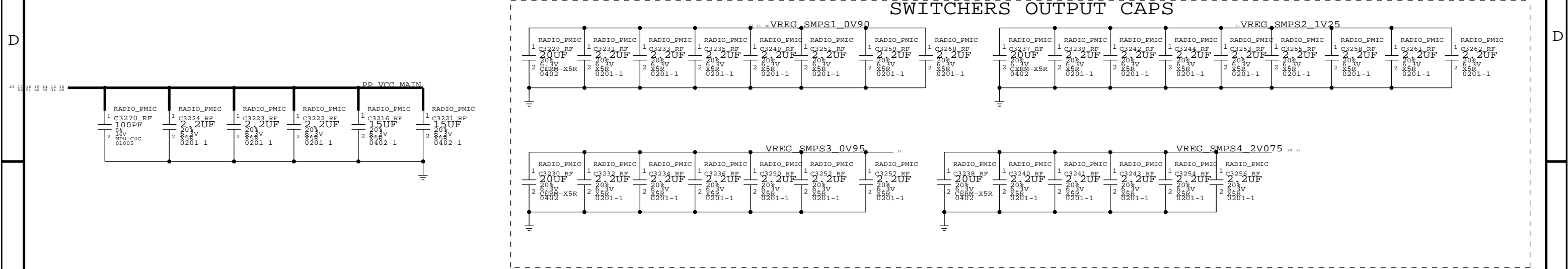


SIM CARD CONNECTOR



33 31	XW3101_RF	SHORT-10L-0.1MM-SM	ADC_SMPS1	29
38 37 35 34 33 32	PP_LD011	SHORT-10L-0.1MM-SM	ADC_PP_LD011	29
54 33 31 30	PP_LD05	SHORT-10L-0.1MM-SM	ADC_PP_LD05	29
31	VREG_SMPS4_2V075	SHORT-10L-0.1MM-SM	ADC_SMPS4	29

PAGE TITLE		SYNC DATE=N/A	
AP INTERFACE & DEBUG CONNECTORS		DRAWING NUMBER	SIZE
Apple Inc.		051-9903	D
REVISION		7.0.0	
NOTICE OF PROPRIETARY PROPERTY:		BRANCH	
THE INFORMATION CONTAINED HEREIN IS THE PROPRIETARY PROPERTY OF APPLE INC. THE POSSESSOR AGREES TO THE FOLLOWING:		PAGE	
I TO MAINTAIN THIS DOCUMENT IN CONFIDENCE		31 OF 55	
I I NOT TO REPRODUCE OR COPY IT		SHEET	
I I NOT TO REVEAL OR PUBLISH IT IN WHOLE OR PART		30 OF 54	
I V ALL RIGHTS RESERVED			



广西南宁功夫手机维修培训
修一切苹果 招天下学生
十年一线维修经验及教学经验

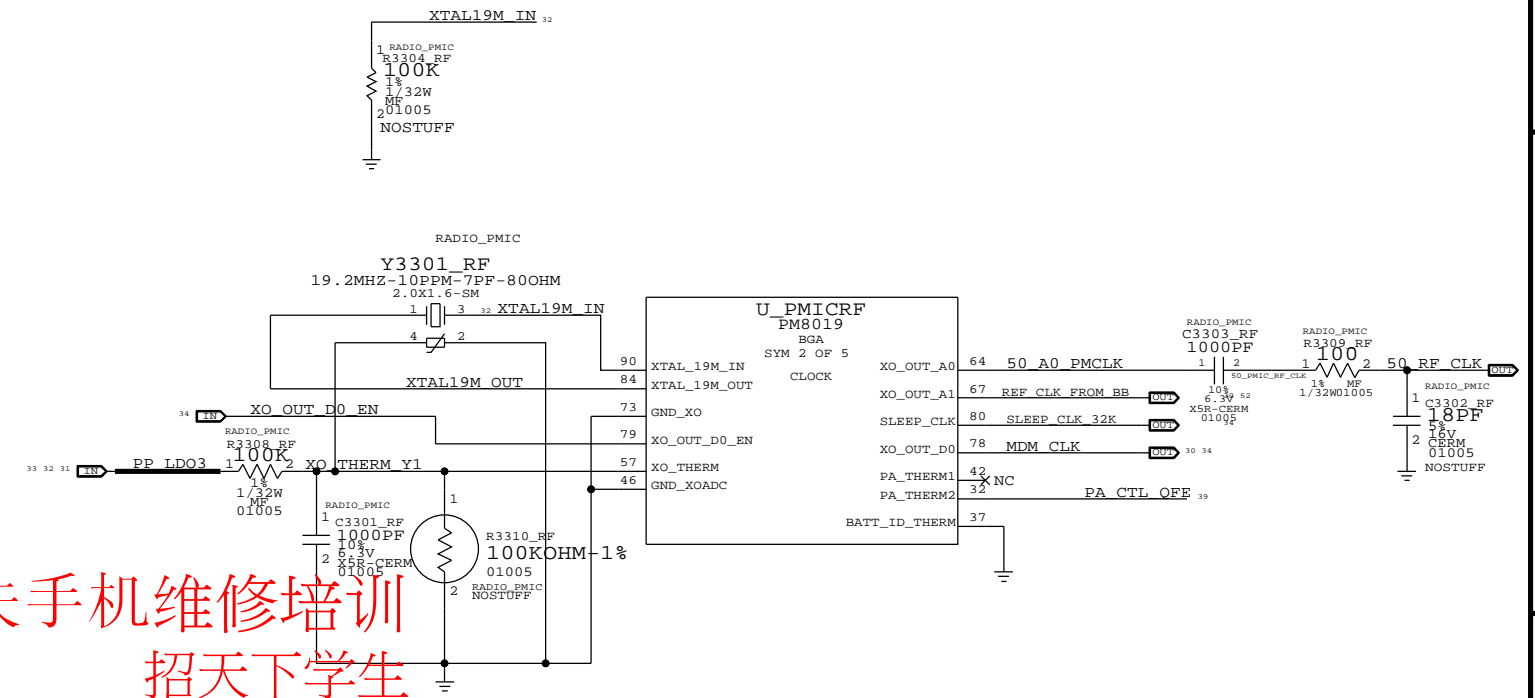
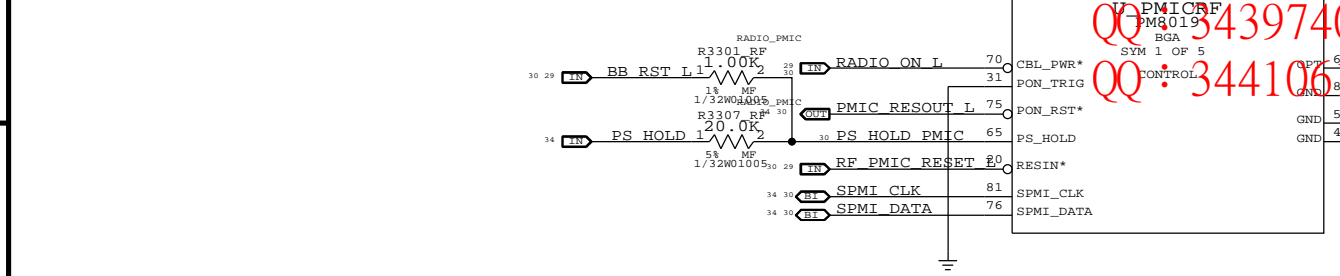
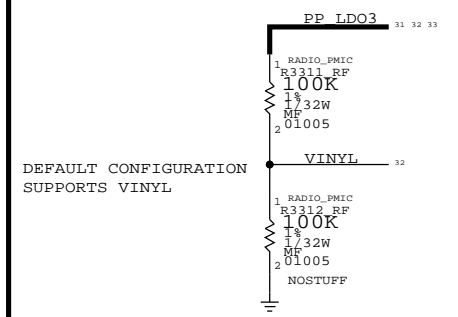
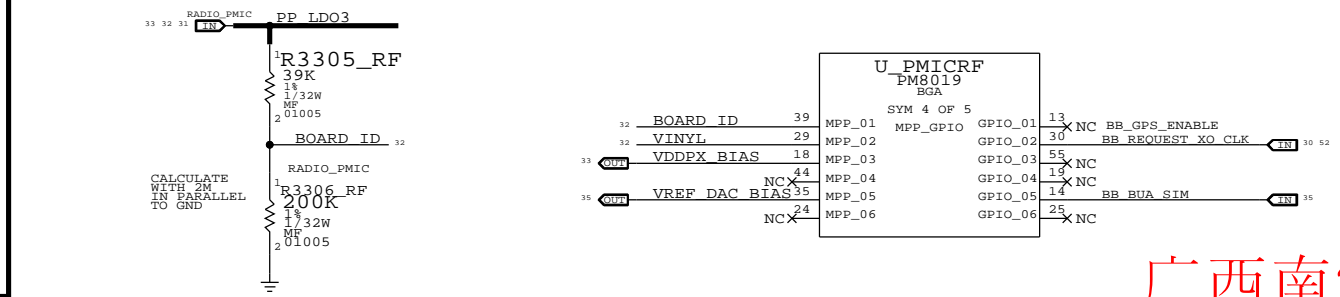
让学员们快速学会维修技术及原理分析
详情请加：
QQ：343974077 翁老师电话：13737083768
QQ：344106191 王老师电话：13737070888

BASEBAND PMU (2 OF 2)

CONFIDENTIAL AND PROPRIETARY APPLE SYSTEM DESIGN. FOR REFERENCE PURPOSES ONLY - NOT A CHANGE REQUEST.

C401
R411
L400
U404

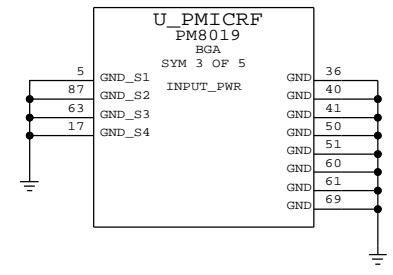
BOARD ID	REVISION
0.00V	N61 PROTO_MLB1
0.50V	N61 DEV3
0.70V	N61 DEV4
0.90V	N61 PROTO_MLB2
1.10V	N61/N56 PROTO1
1.30V	N61/N56 PROTO2
1.40V	N61/N56 EVT1
1.50V	N61/N56 EVT2 (CARRIER)
1.60V	N61/N56 DVT
1.70V	N61/N56 PVT



广西南宁功夫手机维修培训
修一切苹果 招天下学生
十年一线维修经验及教学经验

让学员们快速学会维修技术及原理分析
详情请加:

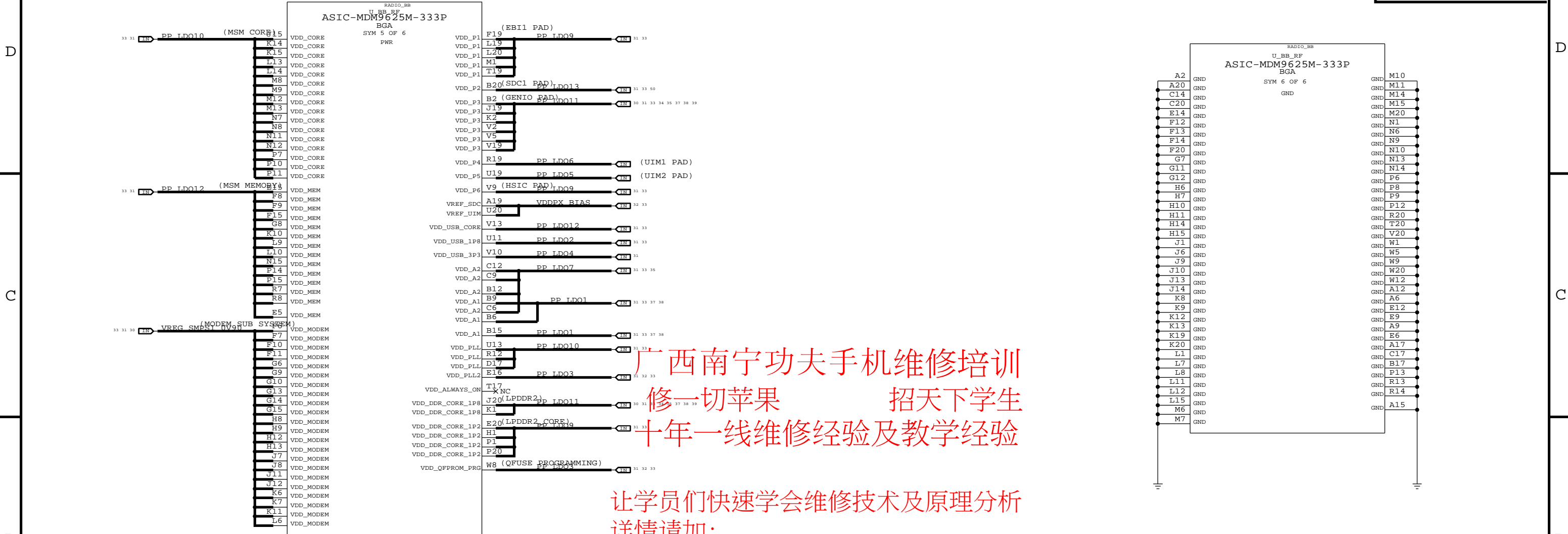
QQ: 343974077 翁老师电话: 13737083768
QQ: 344106191 王老师电话: 13737070888



BASEBAND (1 OF 2)

CONFIDENTIAL AND PROPRIETARY APPLE SYSTEM DESIGN. FOR REFERENCE PURPOSES ONLY - NOT A CHANGE REQUEST.

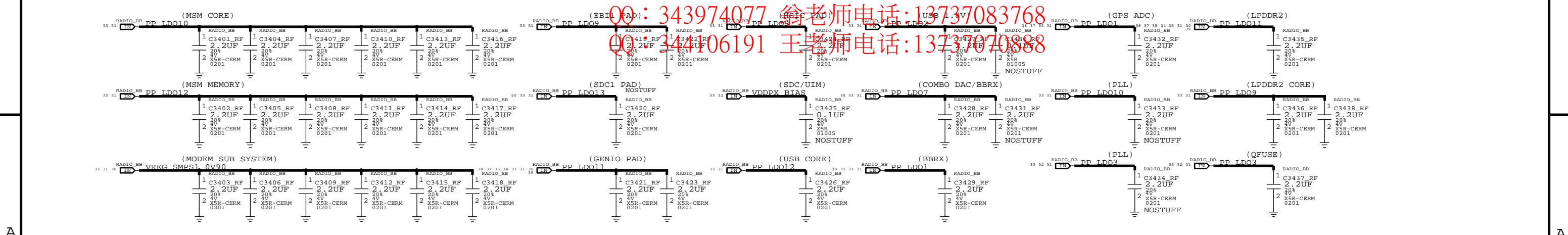
C538
R500
L500
U502



广西南宁功夫手机维修培训
 修一切苹果 招天下学生
 十年一线维修经验及教学经验

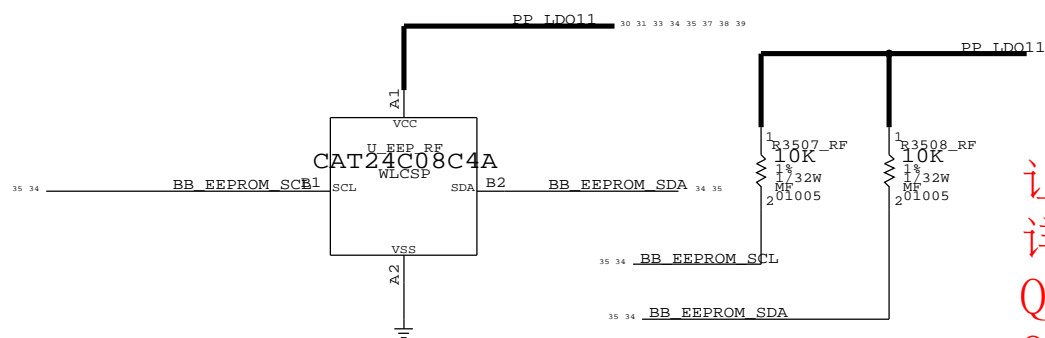
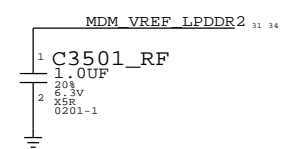
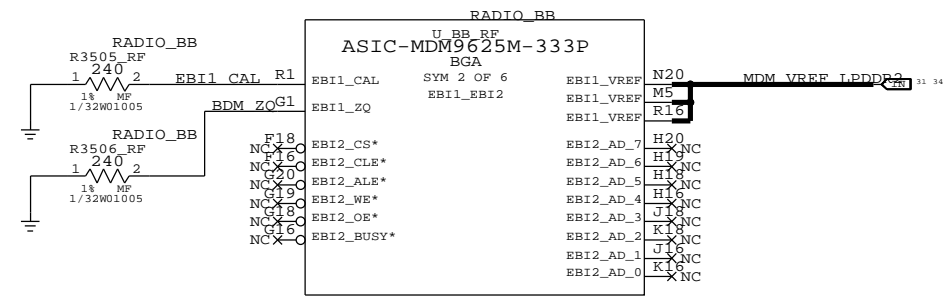
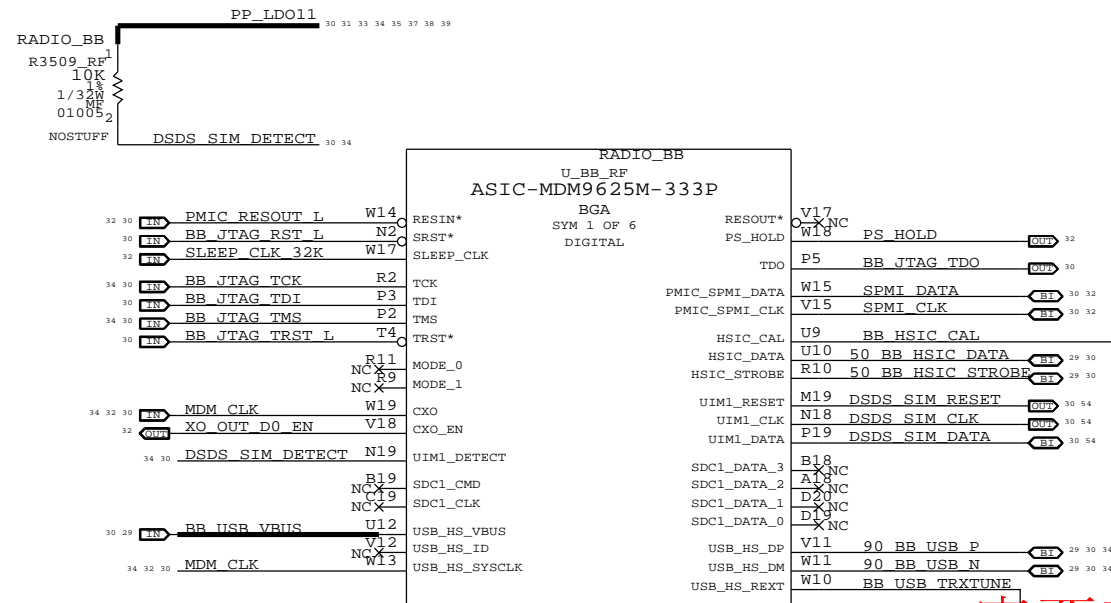
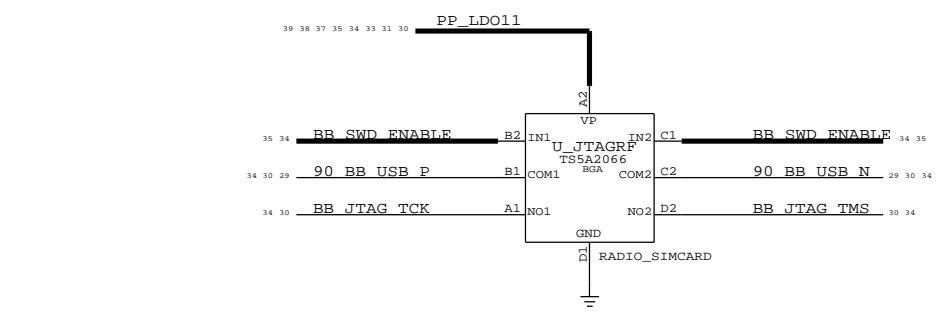
让学员们快速学会维修技术及原理分析
 详情请加:

QQ: 343974077 翁老师电话: 13737083768
 QQ: 441106191 王老师电话: 13737070888



PAGE TITLE	
BASEBAND (1 OF 2)	
Apple Inc.	
DRAWING NUMBER	051-9903 D
REVISION	7.0.0
NOTICE OF PROPRIETARY PROPERTY:	
THE INFORMATION CONTAINED HEREIN IS THE PROPRIETARY PROPERTY OF APPLE INC. THE POSSESSOR AGREES TO THE FOLLOWING:	
I TO MAINTAIN THIS DOCUMENT IN CONFIDENCE	PAGE 34 OF 55
II NOT TO REPRODUCE OR COPY IT	SHEET 33 OF 54
III NOT TO REVEAL OR PUBLISH IT IN WHOLE OR PART	
IV ALL RIGHTS RESERVED	

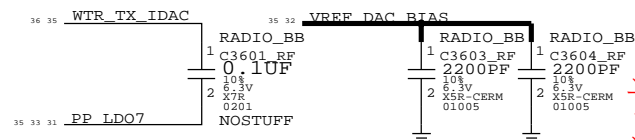
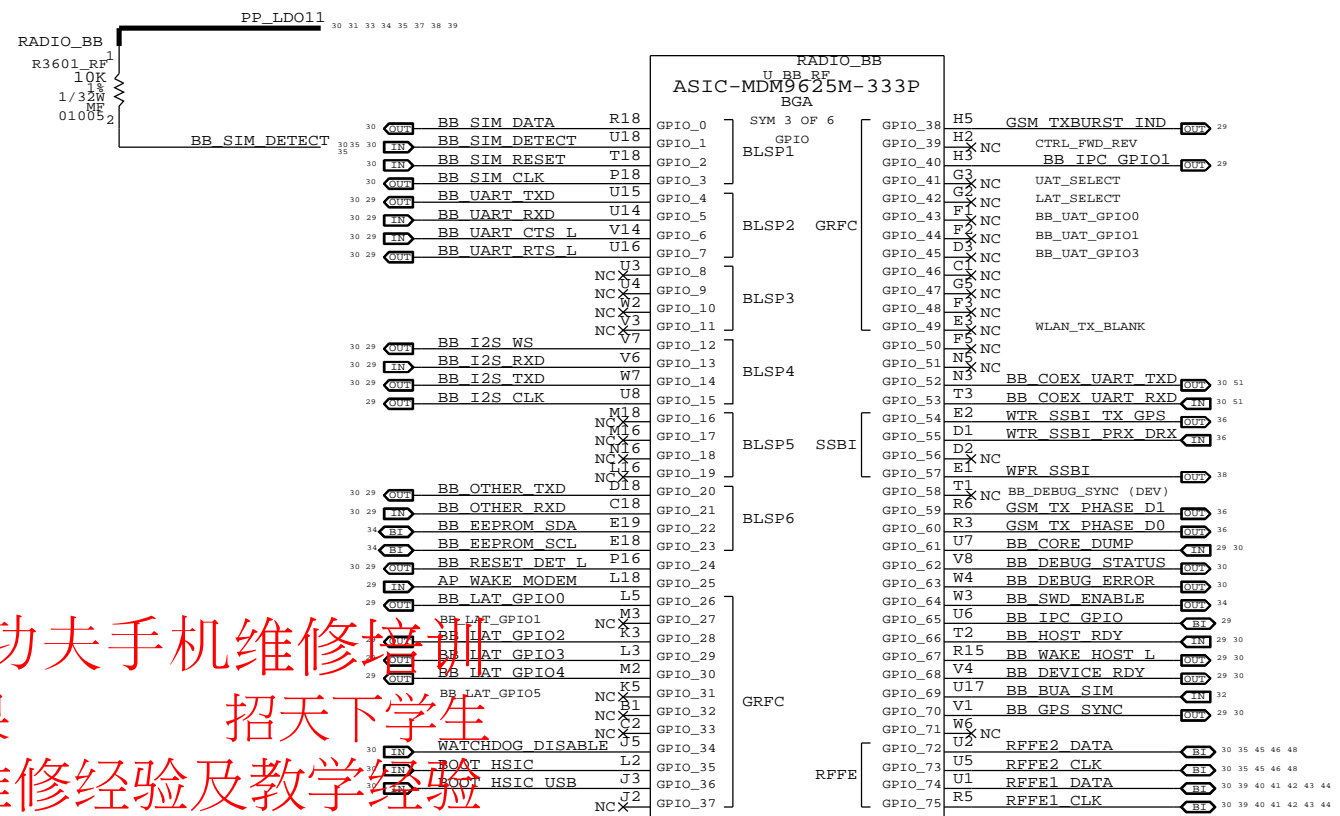
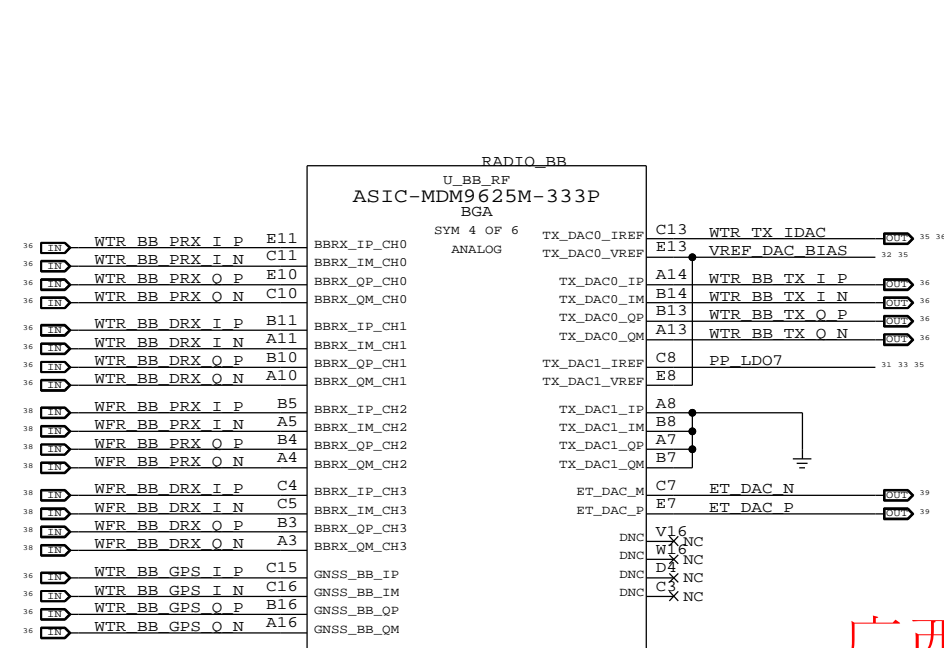
1
C600
R606
L600
U602



广西南宁功夫手机维修培训
 修一切苹果 招天下学生
 十年一线维修经验及教学经验

让学员们快速学会维修技术及原理分析
 详情请加：
 QQ：343974077 翁老师电话：13737083768
 QQ：344106191 王老师电话：13737070888

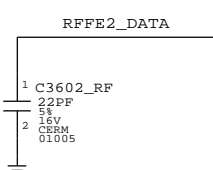
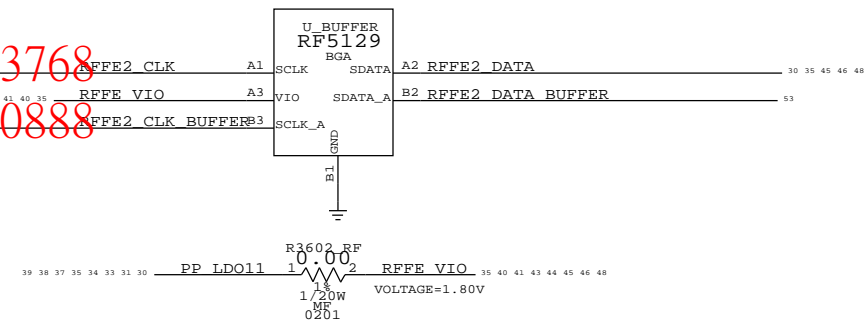
PAGE TITLE	
BASEBAND (1 OF 2)	
Apple Inc.	DRAWING NUMBER: 051-9903 D
	REVISION: 7.0.0
NOTICE OF PROPRIETARY PROPERTY:	
THE INFORMATION CONTAINED HEREIN IS THE PROPRIETARY PROPERTY OF APPLE INC. THE POSSESSOR AGREES TO THE FOLLOWING:	
I TO MAINTAIN THIS DOCUMENT IN CONFIDENCE	BRANCH
II NOT TO REPRODUCE OR COPY IT	PAGE: 35 OF 55
III NOT TO REVEAL OR PUBLISH IT IN WHOLE OR PART	SHEET: 34 OF 54
IV ALL RIGHTS RESERVED	



广西南宁功夫手机维修培训
修一切苹果 招天下学生
十年一线维修经验及教学经验

让学员们快速学会维修技术及原理分析
详情请加:

QQ: 343974077 翁老师电话: 13737083768
QQ: 344106191 王老师电话: 13737070888



WTR TRANSCEIVER (1 OF 2)

CONFIDENTIAL AND PROPRIETARY APPLE SYSTEM DESIGN. FOR REFERENCE PURPOSES ONLY - NOT A CHANGE REQUEST.

8
7
6
5
4
3
2
1

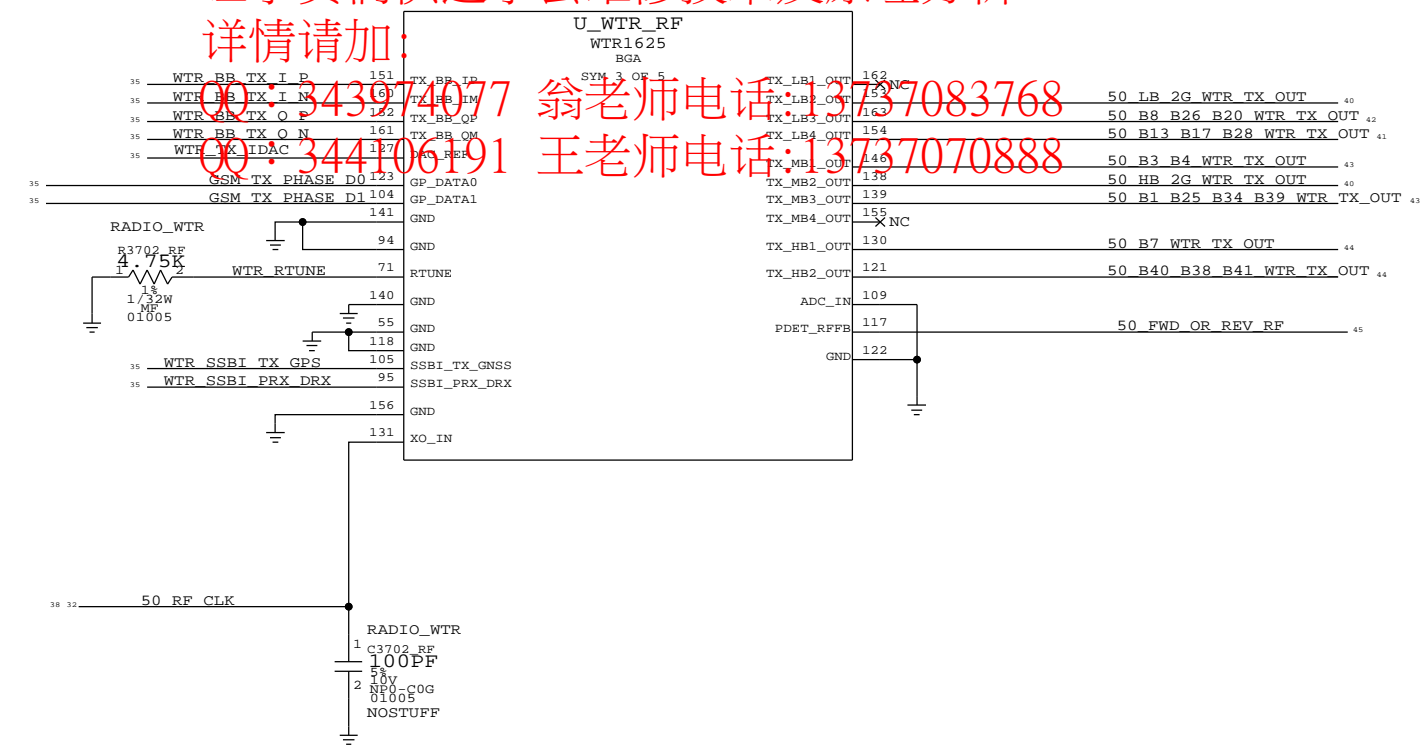
C802
R802
L800
U803



广西南宁功夫手机维修培训
修一切苹果 招天下学生
十年一线维修经验及教学经验

让学员们快速学会维修技术及原理分析

详情请加：
QQ: 343974077 翁老师电话: 13737083768
QQ: 344106191 王老师电话: 13737070888



RF TRANSCEIVER (1 OF 3)

Apple Inc.	DRAWING NUMBER	051-9903 D
	REVISION	7.0.0
NOTICE OF PROPRIETARY PROPERTY:	BRANCH	
THE INFORMATION CONTAINED HEREIN IS THE PROPRIETARY PROPERTY OF APPLE INC. THE POSSESSOR AGREES TO THE FOLLOWING:	PAGE	37 OF 55
I TO MAINTAIN THIS DOCUMENT IN CONFIDENCE	SHEET	36 OF 54
II NOT TO REPRODUCE OR COPY IT		
III NOT TO REVEAL OR PUBLISH IT IN WHOLE OR PART		
IV ALL RIGHTS RESERVED		

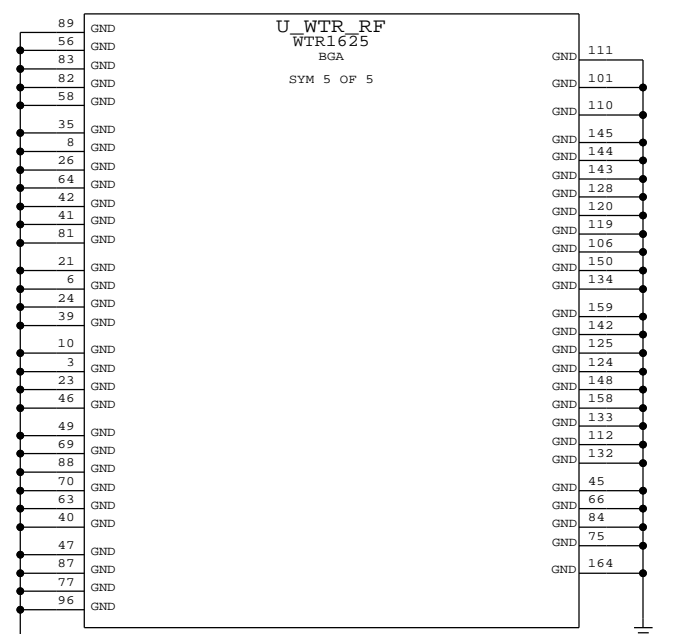
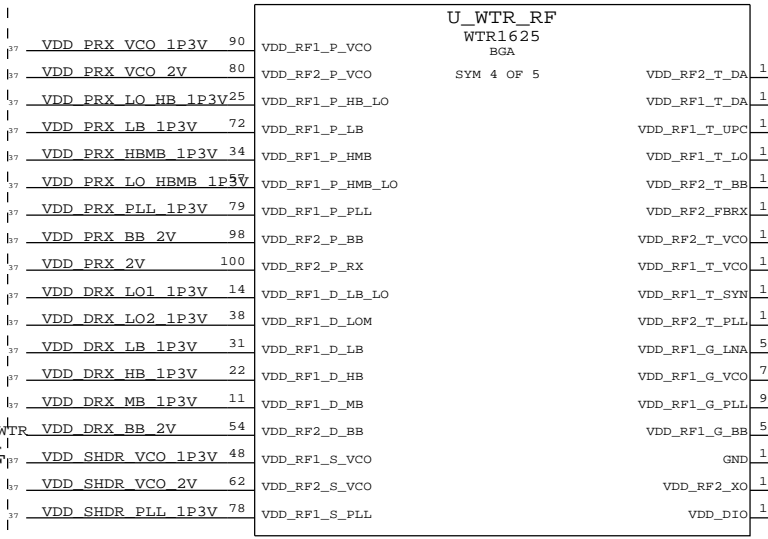
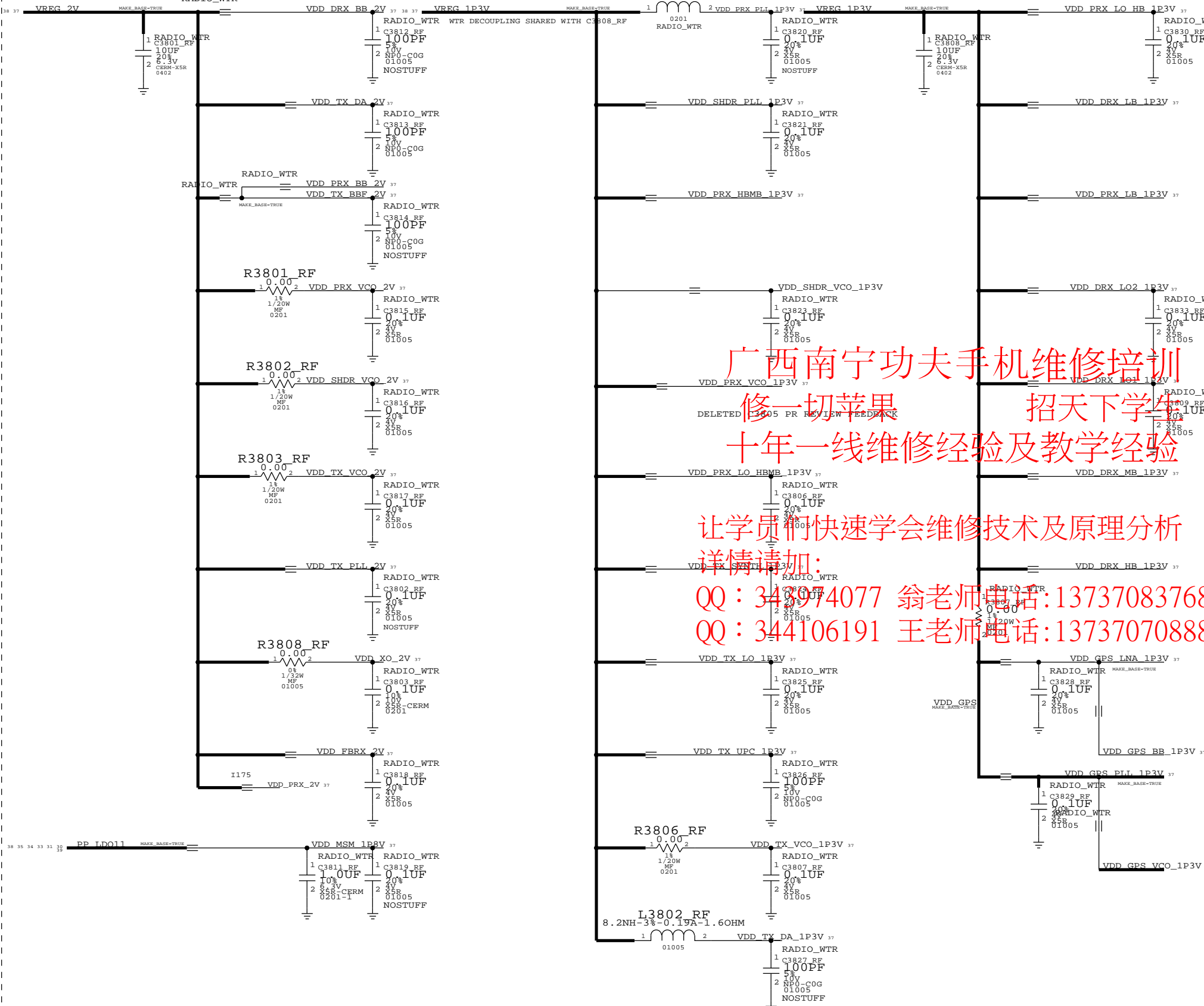
WTR TRANSCEIVER (2 OF 2)

C934
R926
L3802_RF
U902

CONFIDENTIAL AND PROPRIETARY APPLE SYSTEM DESIGN. FOR REFERENCE PURPOSES ONLY - NOT A CHANGE REQUEST.

WTR DECOUPLING CAPS

L3801_RF
22NH-3%-0.25A



广西南宁功夫手机维修培训
修一切苹果
十年一线维修经验及教学经验

让学员们快速学会维修技术及原理分析
详情请加：
QQ：3440974077 翁老师电话：13737083768
QQ：344106191 王老师电话：13737070888

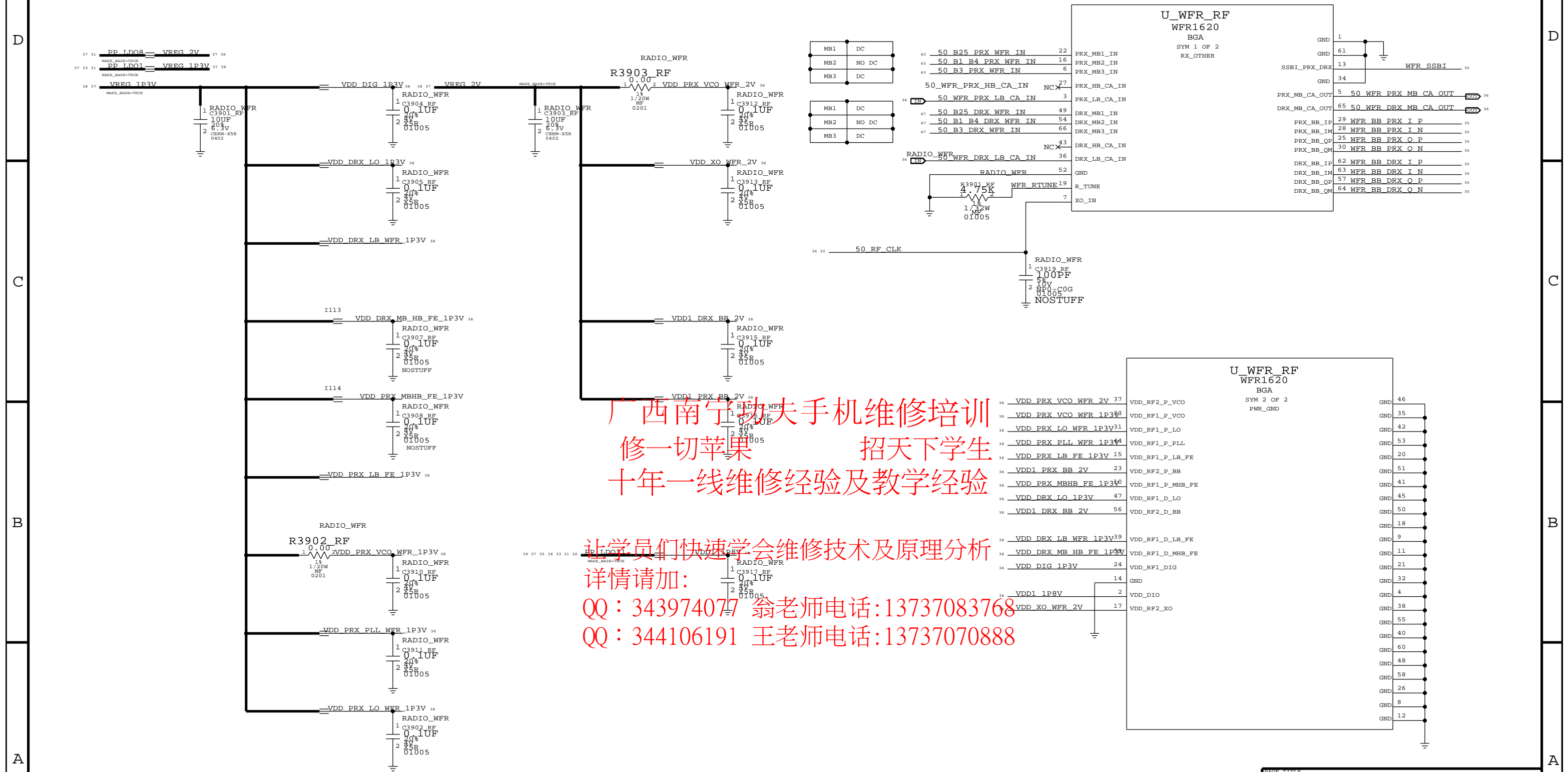
RF TRANSCEIVER (2 OF 3)

	Apple Inc.	DRAWING NUMBER	051-99031D
		REVISION	7.0.0
NOTICE OF PROPRIETARY PROPERTY: THE INFORMATION CONTAINED HEREIN IS THE PROPRIETARY PROPERTY OF APPLE INC. THE POSSESSOR AGREES TO THE FOLLOWING: I TO MAINTAIN THIS DOCUMENT IN CONFIDENCE II NOT TO REPRODUCE OR COPY IT III NOT TO REVEAL OR PUBLISH IT IN WHOLE OR PART IV ALL RIGHTS RESERVED		BRANCH	
		PAGE	38 OF 55
		SHEET	37 OF 54

WFR TRANSCIEVER

CONFIDENTIAL AND PROPRIETARY APPLE SYSTEM DESIGN. FOR REFERENCE PURPOSES ONLY - NOT A CHANGE REQUEST.

1
C1019
R1016
L1000
U1002

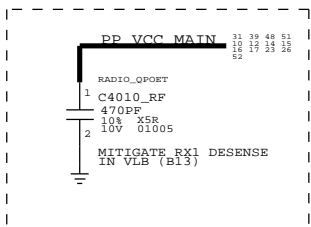
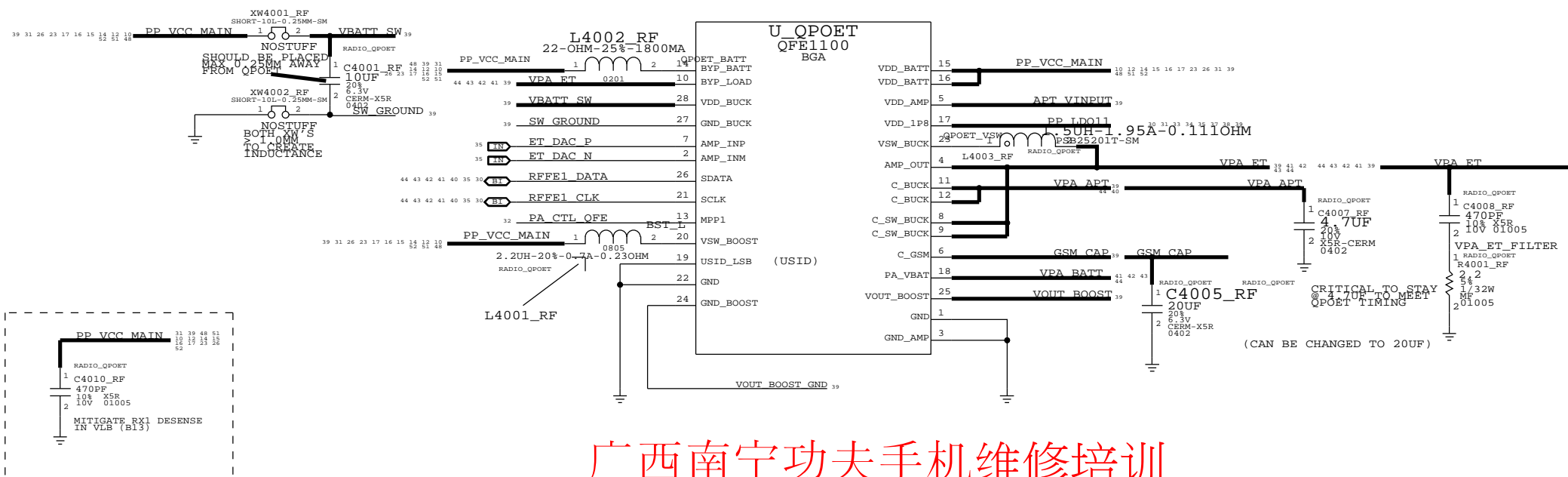


广西南宁功夫手机维修培训
修一切苹果 招天下学生
十年一线维修经验及教学经验

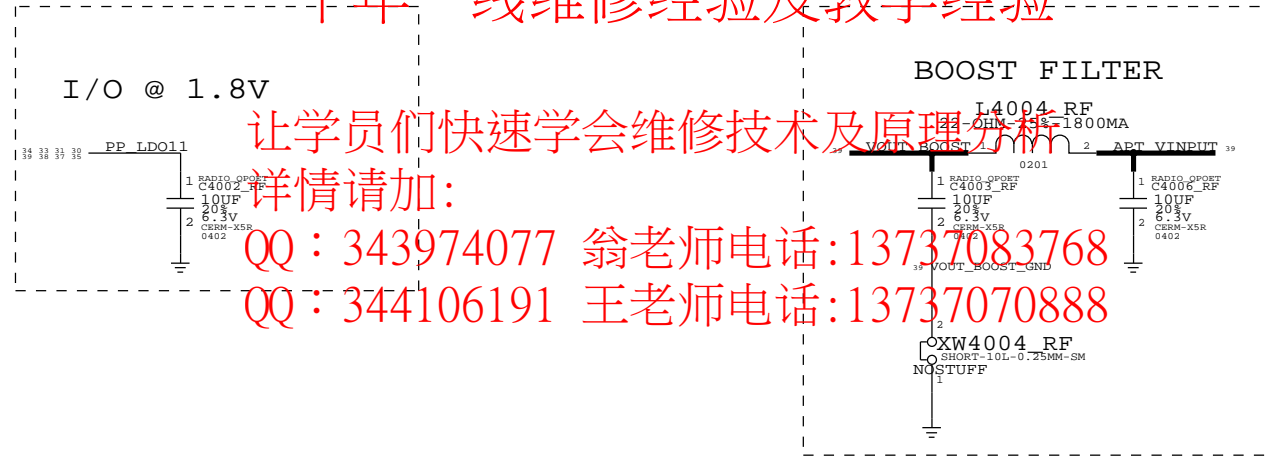
让学员们快速学会维修技术及原理分析
详情请加：
QQ：343974077 翁老师电话：13737083768
QQ：344106191 王老师电话：13737070888

Apple Inc.	DRAWING NUMBER	051-99031D
	REVISION	7.0.0
NOTICE OF PROPRIETARY PROPERTY: THE INFORMATION CONTAINED HEREIN IS THE PROPRIETARY PROPERTY OF APPLE INC. THE POSSESSOR AGREES TO THE FOLLOWING: I TO MAINTAIN THIS DOCUMENT IN CONFIDENCE II NOT TO REPRODUCE OR COPY IT III NOT TO REVEAL OR PUBLISH IT IN WHOLE OR PART IV ALL RIGHTS RESERVED	BRANCH	
	PAGE	39 OF 55
	SHEET	38 OF 54

C1110
R1102
L1104
U1101



广西南宁功夫手机维修培训
 修一切苹果 招天下学生
 十年一线维修经验及教学经验



让学员们快速学会维修技术及原理分析
 详情请加:
 QQ: 343974077 翁老师电话: 13737083768
 QQ: 344106191 王老师电话: 13737070888

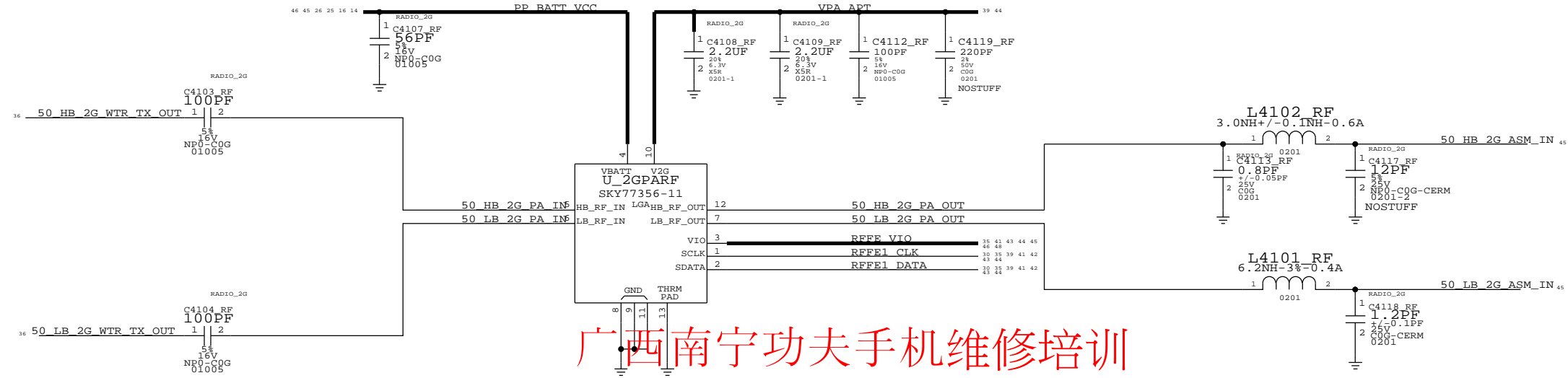
PAGE TITLE		
QFE DCDC		
DRAWING NUMBER		SIZE
051-9903		D
REVISION		
7.0.0		
BRANCH		
THE INFORMATION CONTAINED HEREIN IS THE PROPRIETARY PROPERTY OF APPLE INC. THE POSSESSOR AGREES TO THE FOLLOWING:		
I TO MAINTAIN THIS DOCUMENT IN CONFIDENCE		PAGE
		40 OF 55
II NOT TO REPRODUCE OR COPY IT		SHEET
III NOT TO REVEAL OR PUBLISH IT IN WHOLE OR PART		39 OF 54
IV ALL RIGHTS RESERVED		

2G PA

<https://www.mobile-manuals.com/>

CONFIDENTIAL AND PROPRIETARY APPLE SYSTEM DESIGN. FOR REFERENCE PURPOSES ONLY - NOT A CHANGE REQUEST.

C1208
R1200
L1204
U1201



广西南宁功夫手机维修培训
修一切苹果 招天下学生
十年一线维修经验及教学经验

让学员们快速学会维修技术及原理分析
详情请加:

QQ: 343974077 翁老师电话: 13737083768

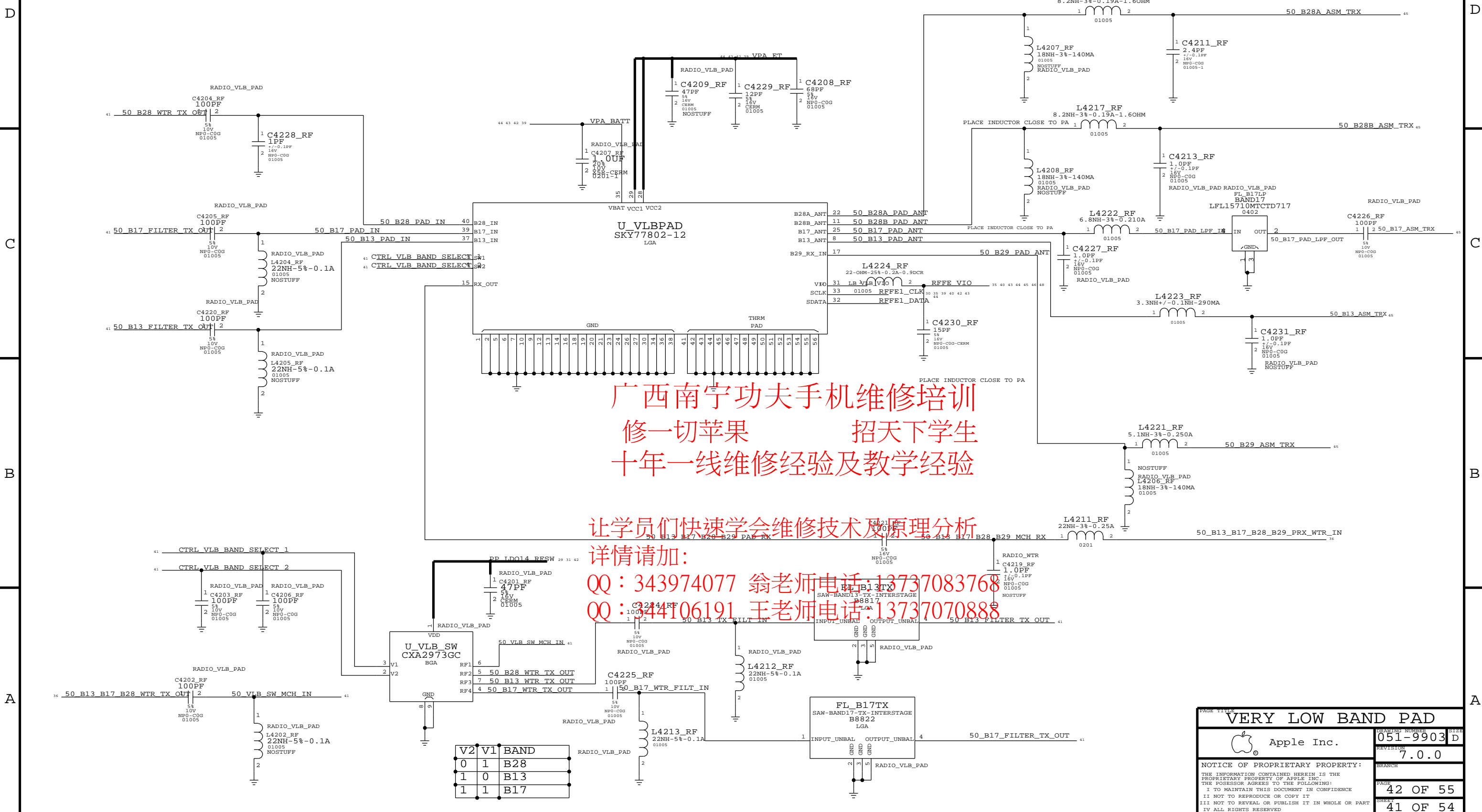
QQ: 344106191 王老师电话: 13737070888

PAGE TITLE		2G PA	
Apple Inc.	DRAWING NUMBER	051-9903	SIZE
	REVISION	7.0.0	
NOTICE OF PROPRIETARY PROPERTY:		BRANCH	
THE INFORMATION CONTAINED HEREIN IS THE PROPRIETARY PROPERTY OF APPLE INC. THE POSSESSOR AGREES TO THE FOLLOWING:		PAGE	
I TO MAINTAIN THIS DOCUMENT IN CONFIDENCE		41 OF 55	
II NOT TO REPRODUCE OR COPY IT		SHEET	
III NOT TO REVEAL OR PUBLISH IT IN WHOLE OR PART		40 OF 54	
IV ALL RIGHTS RESERVED			

VERY LOW BAND PAD (B13, B17, B28)

CONFIDENTIAL AND PROPRIETARY APPLE SYSTEM DESIGN. FOR REFERENCE PURPOSES ONLY - NOT A CHANGE REQUEST.

1
C1332
R1300
L4215_RF
U1304



广西南宁功夫手机维修培训
修一切苹果 招天下学生
十年一线维修经验及教学经验

让学员们快速学会维修技术及原理分析
详情请加：
QQ：343974077 翁老师电话：13737083768
QQ：344106191 王老师电话：13737070888

V2	V1	BAND
0	1	B28
1	0	B13
1	1	B17

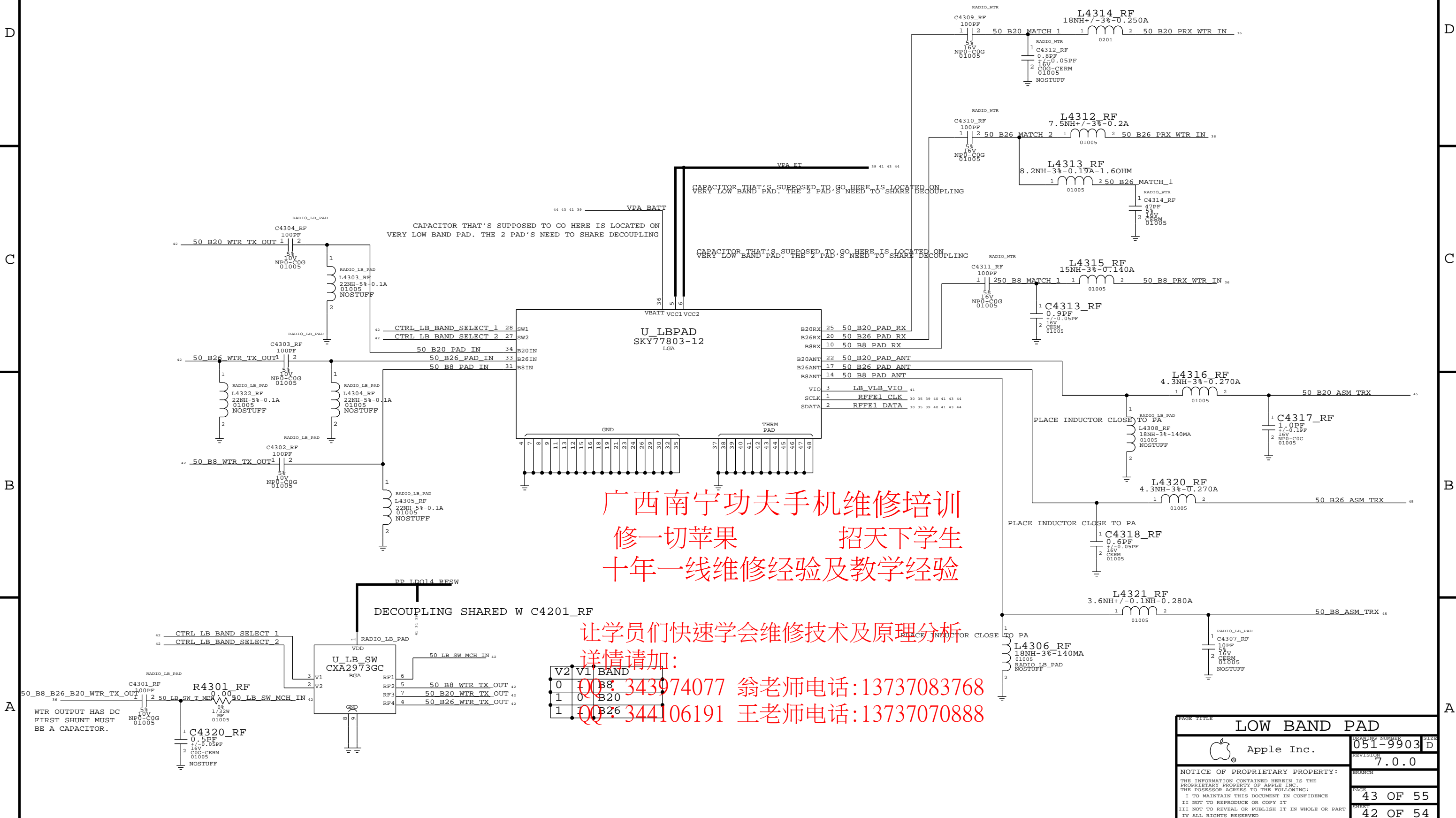
DRAWING NUMBER		051-9903 D
REVISION		7.0.0
PAGE		42 OF 55
SHEET		41 OF 54

Apple Inc.
NOTICE OF PROPRIETARY PROPERTY:
THE INFORMATION CONTAINED HEREIN IS THE PROPRIETARY PROPERTY OF APPLE INC. THE POSSESSOR AGREES TO THE FOLLOWING:
I TO MAINTAIN THIS DOCUMENT IN CONFIDENCE
II NOT TO REPRODUCE OR COPY IT
III NOT TO REVEAL OR PUBLISH IT IN WHOLE OR PART
IV ALL RIGHTS RESERVED

LOW BAND PAD (B8, B26, B20)

CONFIDENTIAL AND PROPRIETARY APPLE SYSTEM DESIGN. FOR REFERENCE PURPOSES ONLY - NOT A CHANGE REQUEST.

1
C4318_RF
R1400
L4322_RF
U1402



广西南宁功夫手机维修培训
修一切苹果 招天下学生
十年一线维修经验及教学经验

让学员们快速学会维修技术及原理分析
详情请加：
QQ: 343974077 翁老师电话: 13737083768
QQ: 344106191 王老师电话: 13737070888

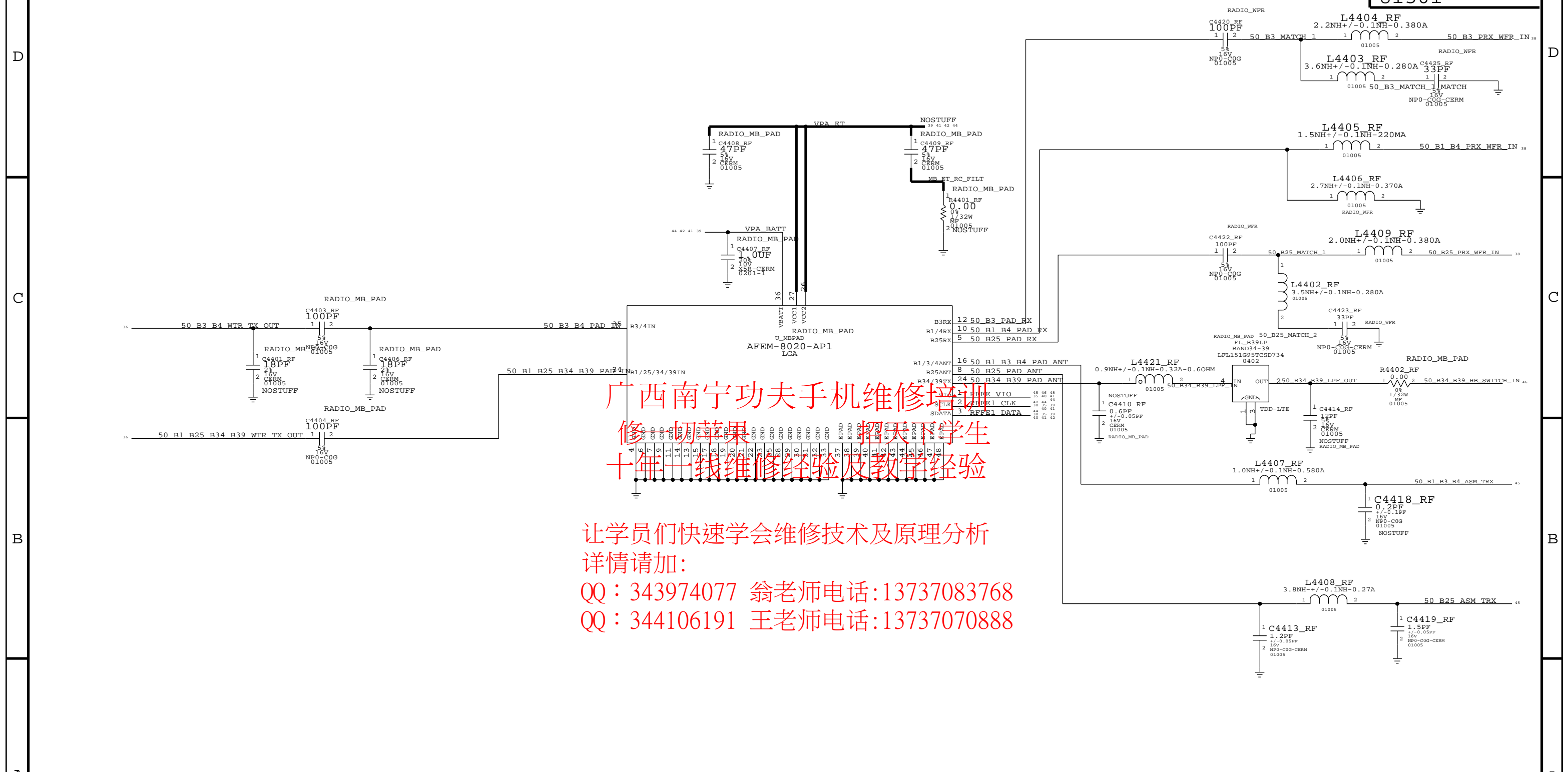
V2	V1	BAND
0	0	B8
1	0	B20
1	1	B26

PAGE TITLE	
LOW BAND PAD	
Apple Inc.	
DRAWING NUMBER	051-9903 D
REVISION	7.0.0
NOTICE OF PROPRIETARY PROPERTY:	
THE INFORMATION CONTAINED HEREIN IS THE PROPRIETARY PROPERTY OF APPLE INC. THE POSSESSOR AGREES TO THE FOLLOWING:	
I TO MAINTAIN THIS DOCUMENT IN CONFIDENCE	PAGE 43 OF 55
II NOT TO REPRODUCE OR COPY IT	SHEET 42 OF 54
III NOT TO REVEAL OR PUBLISH IT IN WHOLE OR PART	IV ALL RIGHTS RESERVED

MID BAND PAD (B1, B25, B3, B4, B34, B39)

CONFIDENTIAL AND PROPRIETARY APPLE SYSTEM DESIGN. FOR REFERENCE PURPOSES ONLY - NOT A CHANGE REQUEST.

- C4426_RF
- R1500
- L4409_RF
- U1501



广西南宁功夫手机维修培训
修一切苹果 招天下学生
十年一线维修经验及教学经验

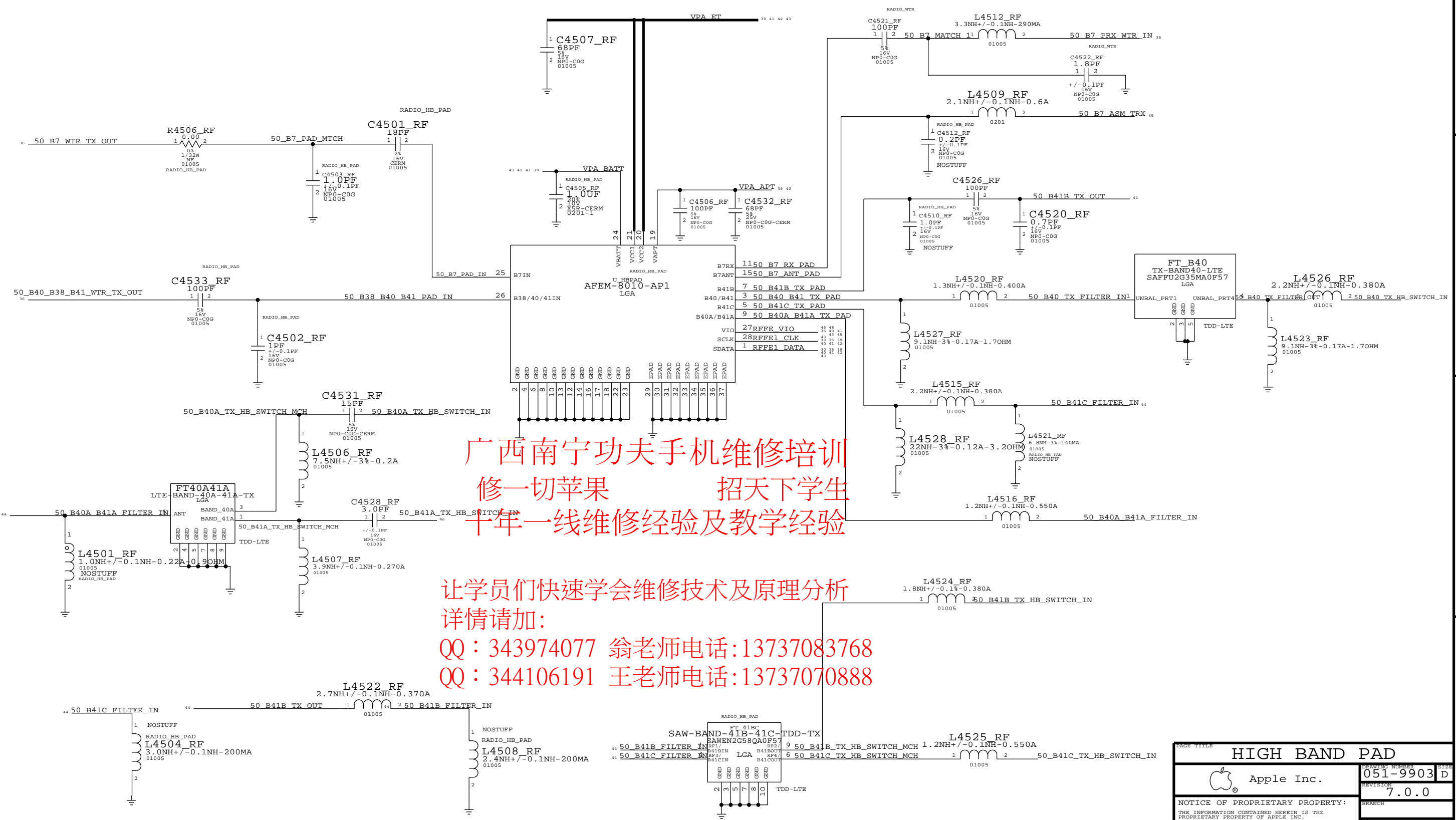
让学员们快速学会维修技术及原理分析
详情请加：
QQ：343974077 翁老师电话：13737083768
QQ：344106191 王老师电话：13737070888

MID BAND PAD	
Apple Inc.	DRAWING NUMBER: 051-9903 D REVISION: 7.0.0
NOTICE OF PROPRIETARY PROPERTY: THE INFORMATION CONTAINED HEREIN IS THE PROPRIETARY PROPERTY OF APPLE INC. THE POSSESSOR AGREES TO THE FOLLOWING: I TO MAINTAIN THIS DOCUMENT IN CONFIDENCE II NOT TO REPRODUCE OR COPY IT III NOT TO REVEAL OR PUBLISH IT IN WHOLE OR PART IV ALL RIGHTS RESERVED	
PAGE: 44 OF 55 SHEET: 43 OF 54	

HIGH BAND PAD (B7, B38, B40, B41, XGP)

CONFIDENTIAL AND PROPRIETARY APPLE SYSTEM DESIGN. FOR REFERENCE PURPOSES ONLY - NOT A CHANGE REQUEST.

1
C4533_RF
R1600
L1616
U1601



广西南宁功夫手机维修培训
 修一切苹果 招天下学生
 十年一线维修经验及教学经验

让学员们快速学会维修技术及原理分析
 详情请加：
 QQ：343974077 翁老师电话：13737083768
 QQ：344106191 王老师电话：13737070888

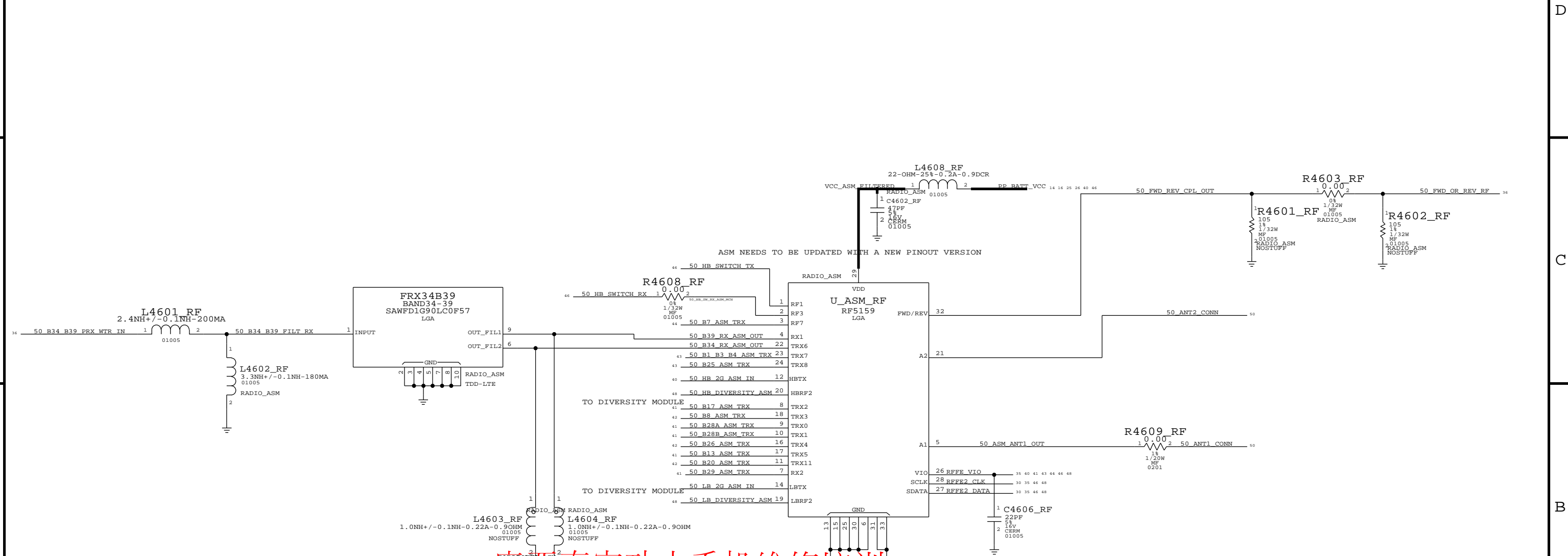
DRAWING NUMBER		051-9903	SIZE	D
REVISION		7.0.0		
PAGE		45	OF 55	
SHEET		44	OF 54	

NOTICE OF PROPRIETARY PROPERTY:
 THE INFORMATION CONTAINED HEREIN IS THE PROPRIETARY PROPERTY OF APPLE INC. THE POSSESSOR AGREES TO THE FOLLOWING:
 I TO MAINTAIN THIS DOCUMENT IN CONFIDENCE
 II NOT TO REPRODUCE OR COPY IT
 III NOT TO REVEAL OR PUBLISH IT IN WHOLE OR PART
 IV ALL RIGHTS RESERVED

ANTENNA SWITCH

CONFIDENTIAL AND PROPRIETARY APPLE SYSTEM DESIGN. FOR REFERENCE PURPOSES ONLY - NOT A CHANGE REQUEST.

1
C1702
R1700
L4608_RF
U1702



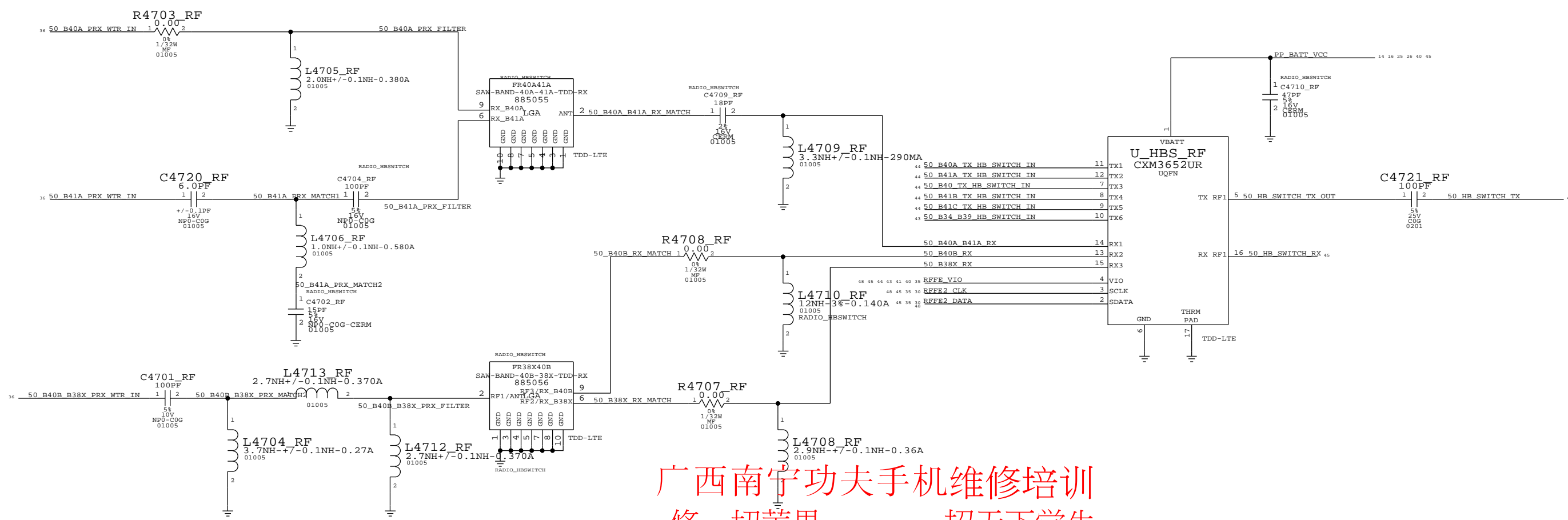
广西南宁功夫手机维修培训
修一切苹果 招天下学生
十年一线维修经验及教学经验

让学员们快速学会维修技术及原理分析
详情请加：
QQ：343974077 翁老师电话：13737083768
QQ：344106191 王老师电话：13737070888

PAGE TITLE		ANTENNA SWITCH	
DRAWING NUMBER		051-9903	SIZE
REVISION		7.0.0	
NOTICE OF PROPRIETARY PROPERTY:		BRANCH	
THE INFORMATION CONTAINED HEREIN IS THE PROPRIETARY PROPERTY OF APPLE INC. THE POSSESSOR AGREES TO THE FOLLOWING:		PAGE	
I TO MAINTAIN THIS DOCUMENT IN CONFIDENCE		46 OF 55	
II NOT TO REPRODUCE OR COPY IT		SHEET	
III NOT TO REVEAL OR PUBLISH IT IN WHOLE OR PART		45 OF 54	
IV ALL RIGHTS RESERVED			

HIGH BAND SWITCH

CONFIDENTIAL AND PROPRIETARY APPLE SYSTEM DESIGN. FOR REFERENCE PURPOSES ONLY - NOT A CHANGE REQUEST.



广西南宁功夫手机维修培训
 修一切苹果 招天下学生
 十年一线维修经验及教学经验

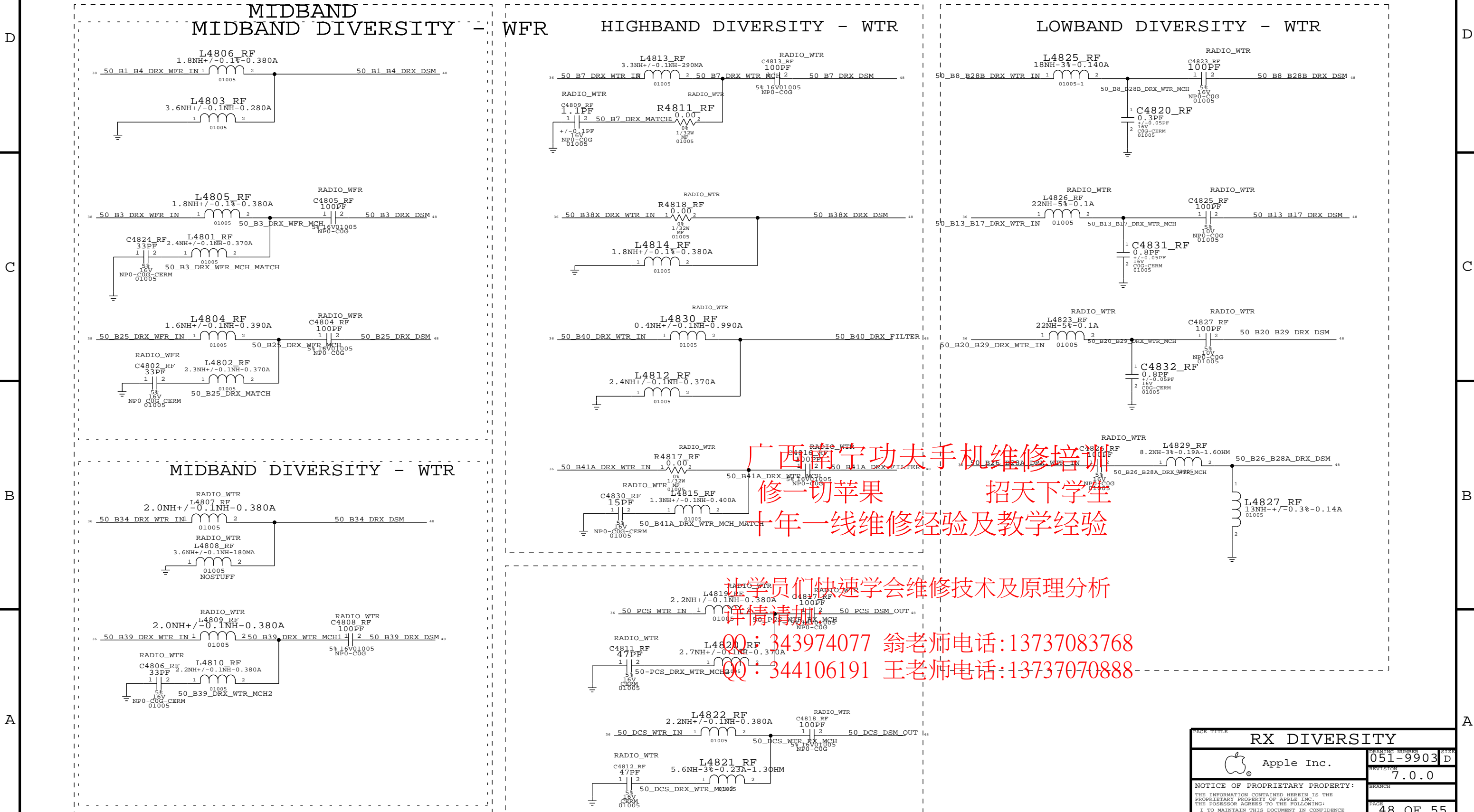
让学员们快速学会维修技术及原理分析
 详情请加：
 QQ：343974077 翁老师电话:13737083768
 QQ：344106191 王老师电话:13737070888

DRAWING NUMBER			051-9903			SIZE			D		
REVISION			7.0.0			BRANCH					
PAGE			47 OF 55			SHEET			46 OF 54		
NOTICE OF PROPRIETARY PROPERTY: THE INFORMATION CONTAINED HEREIN IS THE PROPRIETARY PROPERTY OF APPLE INC. THE POSSESSOR AGREES TO THE FOLLOWING: I TO MAINTAIN THIS DOCUMENT IN CONFIDENCE II NOT TO REPRODUCE OR COPY IT III NOT TO REVEAL OR PUBLISH IT IN WHOLE OR PART IV ALL RIGHTS RESERVED											

RX DIVERSITY (1)

CONFIDENTIAL AND PROPRIETARY APPLE SYSTEM DESIGN. FOR REFERENCE PURPOSES ONLY - NOT A CHANGE REQUEST.

1
C4826_RF
R1800
L1829
U1801



广西南宁功夫手机维修培训
修一切苹果 招天下学生
十年一线维修经验及教学经验

让学员们快速学会维修技术及原理分析

详情请加

QQ: 343974077 翁老师电话: 13737083768

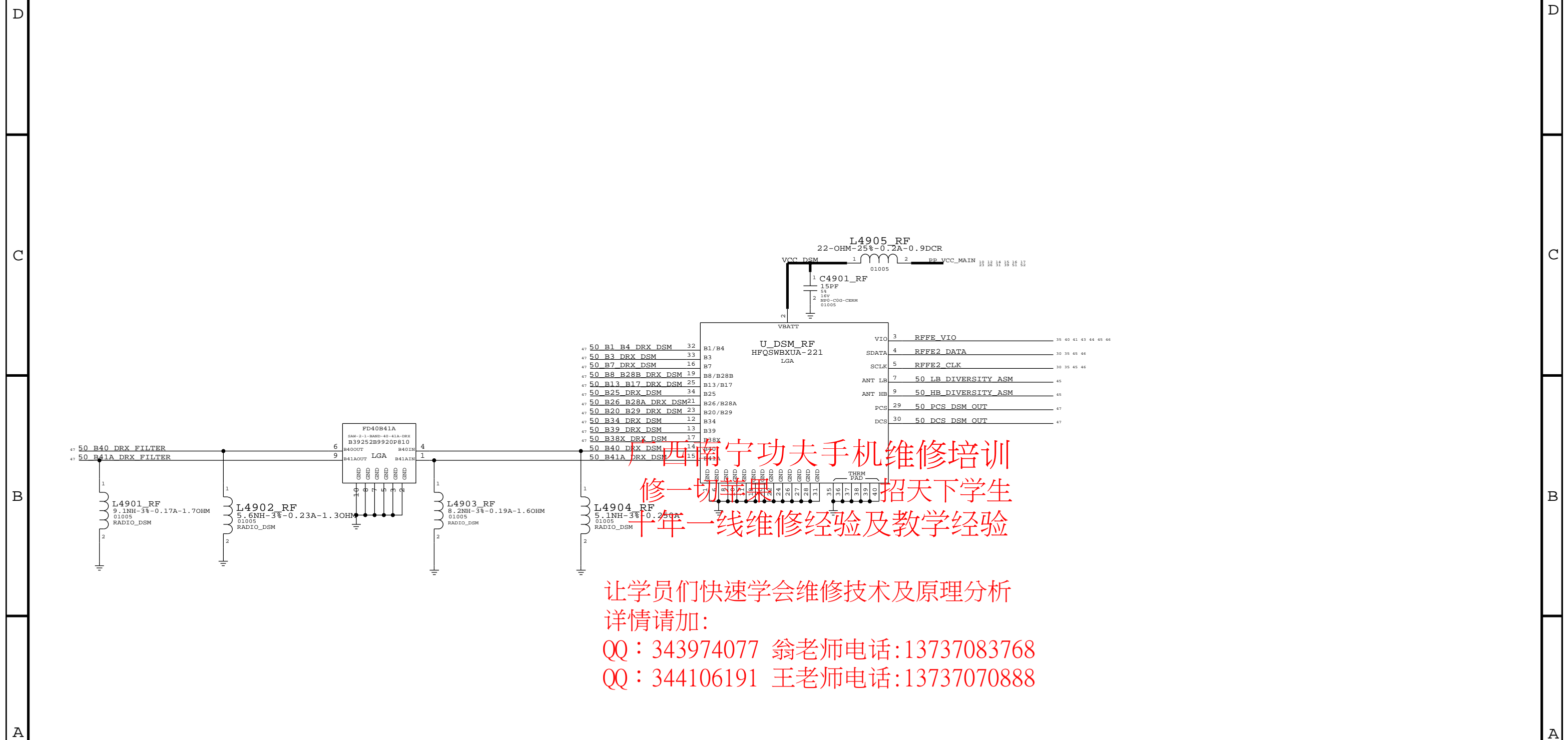
QQ: 344106191 王老师电话: 13737070888

PAGE TITLE		RX DIVERSITY	
DRAWING NUMBER		051-9903	SIZE D
REVISION		7.0.0	
NOTICE OF PROPRIETARY PROPERTY:		BRANCH	
THE INFORMATION CONTAINED HEREIN IS THE PROPRIETARY PROPERTY OF APPLE INC. THE POSSESSOR AGREES TO THE FOLLOWING:		PAGE	
I TO MAINTAIN THIS DOCUMENT IN CONFIDENCE		48 OF 55	
II NOT TO REPRODUCE OR COPY IT		SHEET	
III NOT TO REVEAL OR PUBLISH IT IN WHOLE OR PART		47 OF 54	
IV ALL RIGHTS RESERVED			

RX DIVERSITY (2)

CONFIDENTIAL AND PROPRIETARY APPLE SYSTEM DESIGN. FOR REFERENCE PURPOSES ONLY - NOT A CHANGE REQUEST.

1
C1900
R1900
L1900
U1901



西南宁功夫手机维修培训
 修一切苹果
 招天下学生
 十年一线维修经验及教学经验

让学员们快速学会维修技术及原理分析
 详情请加：
 QQ：343974077 翁老师电话：13737083768
 QQ：344106191 王老师电话：13737070888

PAGE TITLE		GPS	
DRAWING NUMBER		051-9903	SIZE
REVISION		7.0.0	D
NOTICE OF PROPRIETARY PROPERTY:		BRANCH	
THE INFORMATION CONTAINED HEREIN IS THE PROPRIETARY PROPERTY OF APPLE, INC. THE POSSESSOR AGREES TO THE FOLLOWING:		PAGE	
I TO MAINTAIN THIS DOCUMENT IN CONFIDENCE		49 OF 55	
II NOT TO REPRODUCE OR COPY IT		SHEET	
III NOT TO REVEAL OR PUBLISH IT IN WHOLE OR PART		48 OF 54	
IV ALL RIGHTS RESERVED			

GPS

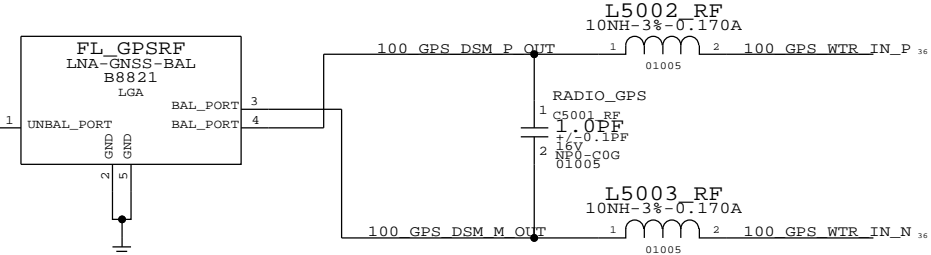
CONFIDENTIAL AND PROPRIETARY APPLE SYSTEM DESIGN. FOR REFERENCE PURPOSES ONLY - NOT A CHANGE REQUEST.

C1900
R1900
L1900
U1901

广西南宁功夫手机维修培训
修一切苹果 招天下学生
十年一线维修经验及教学经验

让学员们快速学会维修技术及原理分析
详情请加：

QQ : 343974077 翁老师电话:13737083768
QQ : 344106191 王老师电话:13737070888

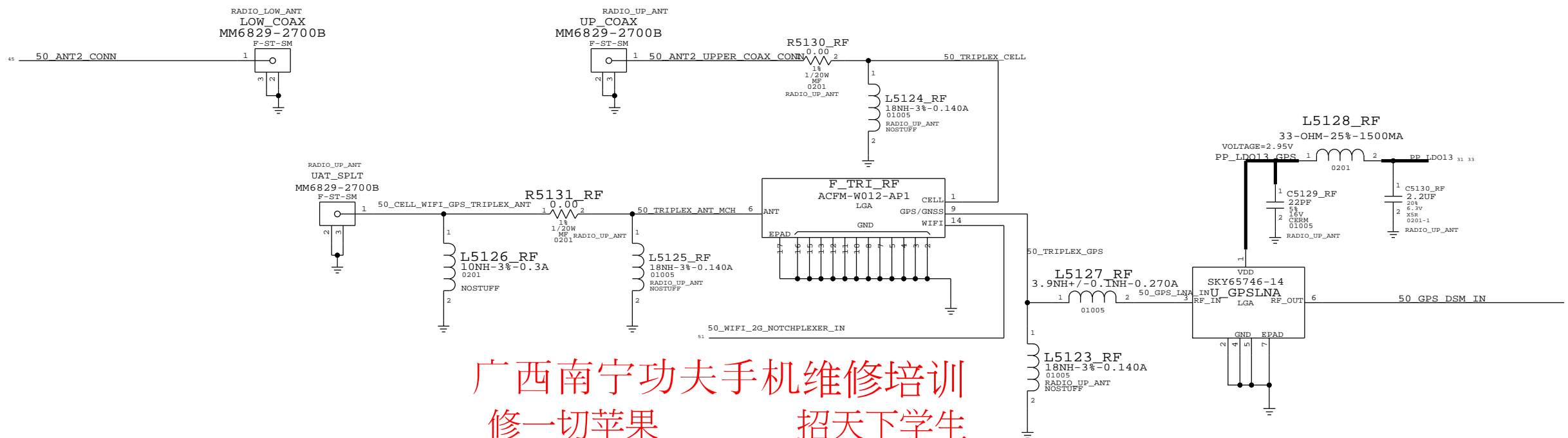


GPS	
Apple Inc.	DRAWING NUMBER: 051-9903 D
	REVISION: 7.0.0
NOTICE OF PROPRIETARY PROPERTY: THE INFORMATION CONTAINED HEREIN IS THE PROPRIETARY PROPERTY OF APPLE INC. THE POSSESSOR AGREES TO THE FOLLOWING: I TO MAINTAIN THIS DOCUMENT IN CONFIDENCE II NOT TO REPRODUCE OR COPY IT III NOT TO REVEAL OR PUBLISH IT IN WHOLE OR PART IV ALL RIGHTS RESERVED	BRANCH: PAGE: 50 OF 55 SHEET: 49 OF 54

ANTENNA FEEDS

CONFIDENTIAL AND PROPRIETARY APPLE SYSTEM DESIGN. FOR REFERENCE PURPOSES ONLY - NOT A CHANGE REQUEST.

TEST & COAX CONNECTOR FOR LOWER SECTION OF MLB



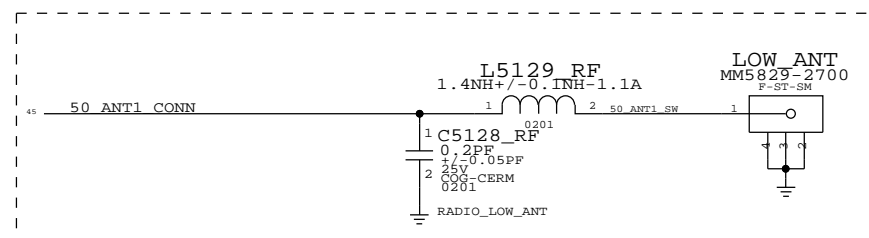
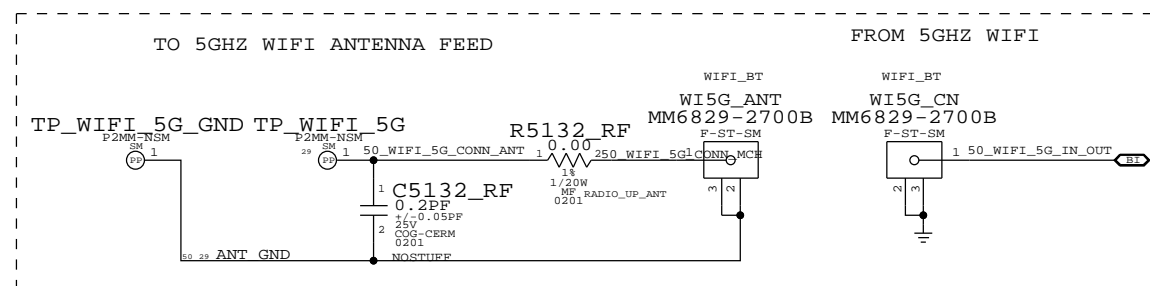
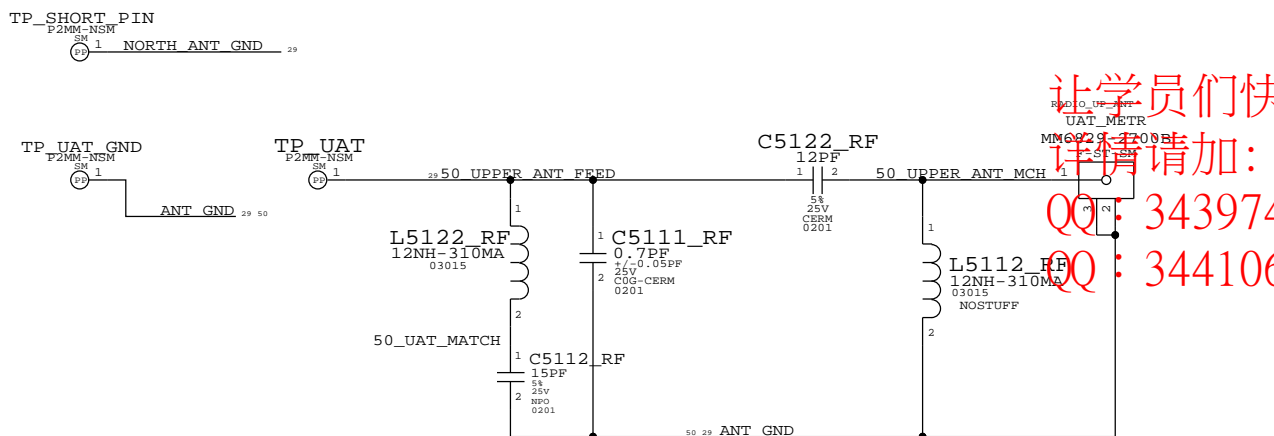
广西南宁功夫手机维修培训
 修一切苹果 招天下学生
 十年一线维修经验及教学经验

让学员们快速学会维修技术及原理分析

详情请加:

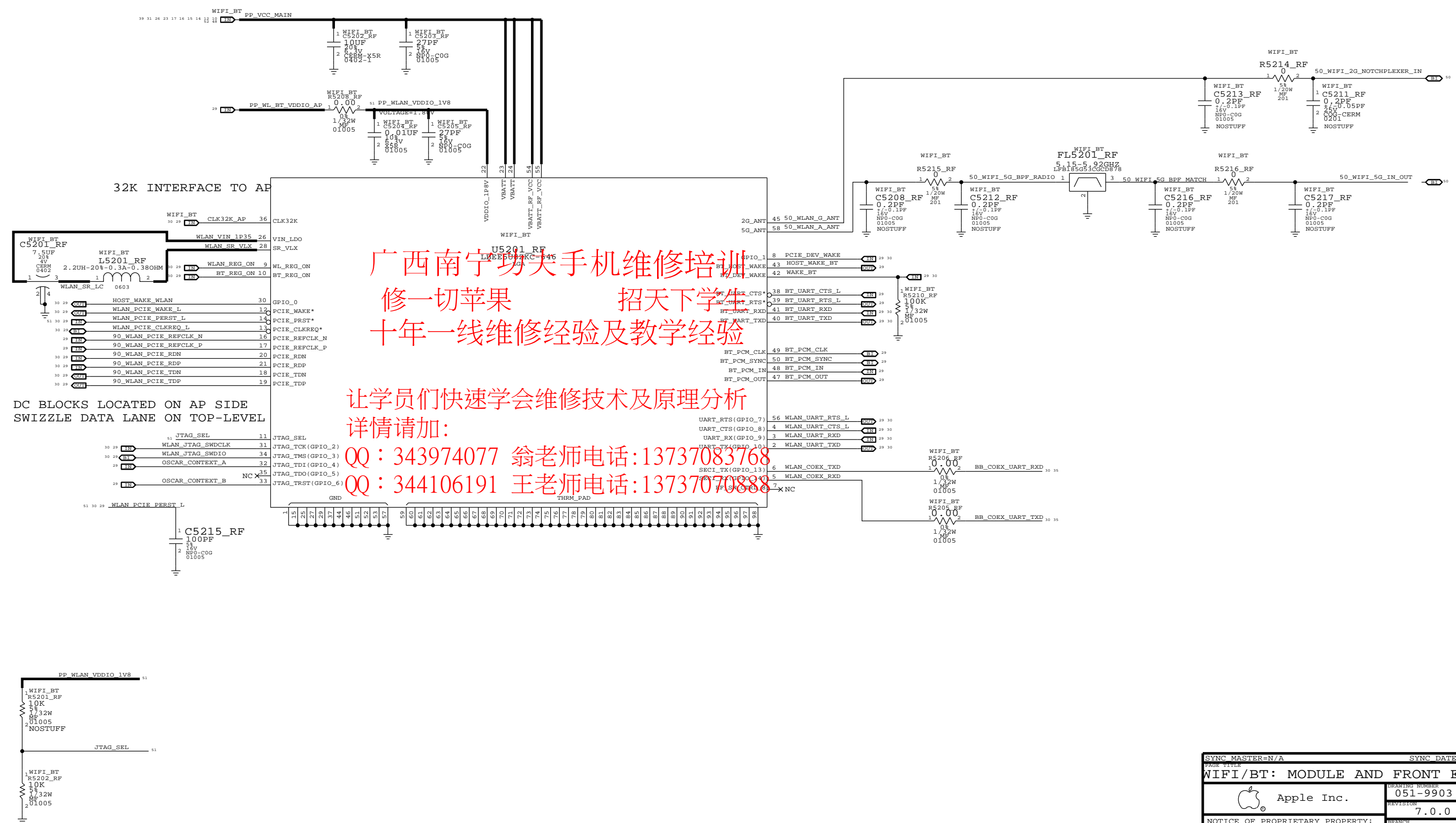
QQ: 343974077 翁老师电话: 13737083768

QQ: 344106191 王老师电话: 13737070888



PAGE TITLE		DRAWING NUMBER		SIZE
ANTENNA FEEDS		051-9903		D
Apple Inc.		REVISION		7.0.0
NOTICE OF PROPRIETARY PROPERTY:		BRANCH		
THE INFORMATION CONTAINED HEREIN IS THE PROPRIETARY PROPERTY OF APPLE INC. THE POSSESSOR AGREES TO THE FOLLOWING:		PAGE		51 OF 55
I TO MAINTAIN THIS DOCUMENT IN CONFIDENCE		SHEET		50 OF 54
II NOT TO REPRODUCE OR COPY IT				
III NOT TO REVEAL OR PUBLISH IT IN WHOLE OR PART				
IV ALL RIGHTS RESERVED				

WLAN / BT



广西南宁勇夫手机维修培训
 修一切苹果 招天下学生
 十年一线维修经验及教学经验

让学员们快速学会维修技术及原理分析
 详情请加：
 QQ：343974077 翁老师电话：13737083768
 QQ：344106191 王老师电话：1373708888

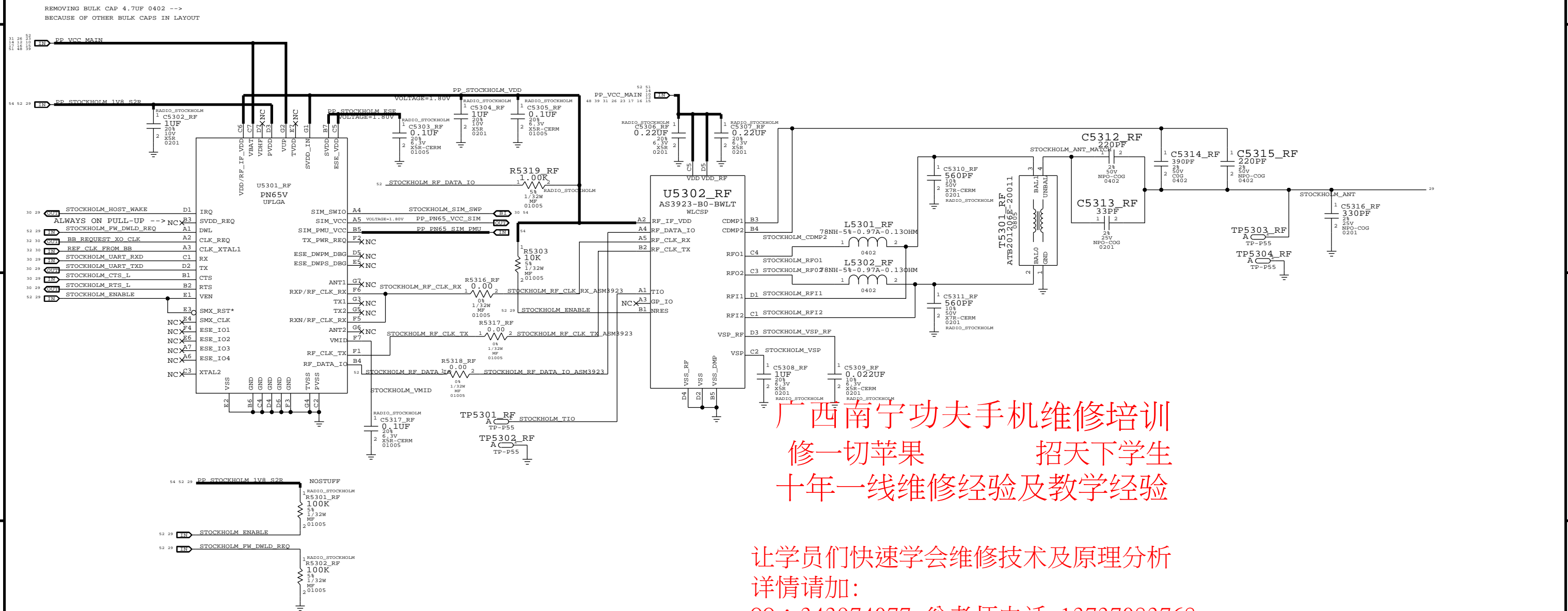
DC BLOCKS LOCATED ON AP SIDE
 SWIZZLE DATA LANE ON TOP-LEVEL

MODULE BOOT-STRAPPED TO PCIE INTERNALLY

SYNC MASTER=N/A		SYNC DATE=N/A	
PAGE TITLE WIFI/BT: MODULE AND FRONT END			
Apple Inc.	DRAWING NUMBER	051-9903	SIZE D
	REVISION	7.0.0	
NOTICE OF PROPRIETARY PROPERTY:		BRANCH	
THE INFORMATION CONTAINED HEREIN IS THE PROPRIETARY PROPERTY OF APPLE INC. THE POSSESSOR AGREES TO THE FOLLOWING:		PAGE	
I TO MAINTAIN THIS DOCUMENT IN CONFIDENCE		52 OF 55	
II NOT TO REPRODUCE OR COPY IT		SHEET	
III NOT TO REVEAL OR PUBLISH IT IN WHOLE OR PART		51 OF 54	
IV ALL RIGHTS RESERVED			

C2101
R2100
L2102
U2100

CONFIDENTIAL AND PROPRIETARY APPLE SYSTEM DESIGN. FOR REFERENCE PURPOSES ONLY - NOT A CHANGE REQUEST.



广西南宁功夫手机维修培训
修一切苹果 招天下学生
十年一线维修经验及教学经验

让学员们快速学会维修技术及原理分析
详情请加：
QQ：343974077 翁老师电话：13737083768
QQ：344106191 王老师电话：13737070888

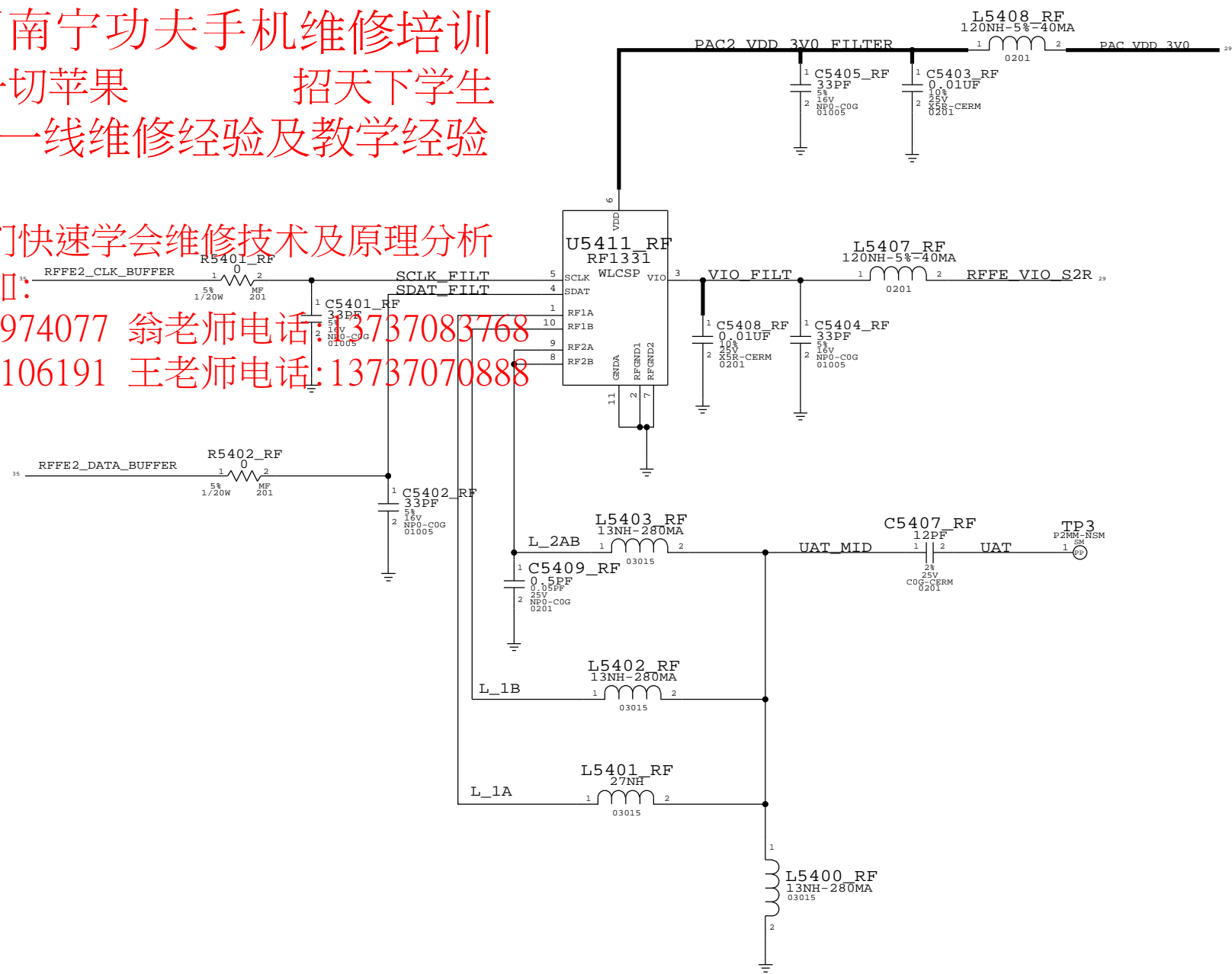
SYNC MASTER=N/A		SYNC DATE=N/A	
PAGE TITLE		DRAWING NUMBER	
Apple Inc.		051-9903	
REVISION		7.0.0	
NOTICE OF PROPRIETARY PROPERTY:		BRANCH	
THE INFORMATION CONTAINED HEREIN IS THE PROPRIETARY PROPERTY OF APPLE INC. THE POSSESSOR AGREES TO THE FOLLOWING:		PAGE	
I TO MAINTAIN THIS DOCUMENT IN CONFIDENCE		53 OF 55	
II NOT TO REPRODUCE OR COPY IT		SHEET	
III NOT TO REVEAL OR PUBLISH IT IN WHOLE OR PART		52 OF 54	
IV ALL RIGHTS RESERVED			

ON-BOARD JUMPER FLEX

UAT JUMPER

广西南宁功夫手机维修培训
修一切苹果 招天下学生
十年一线维修经验及教学经验

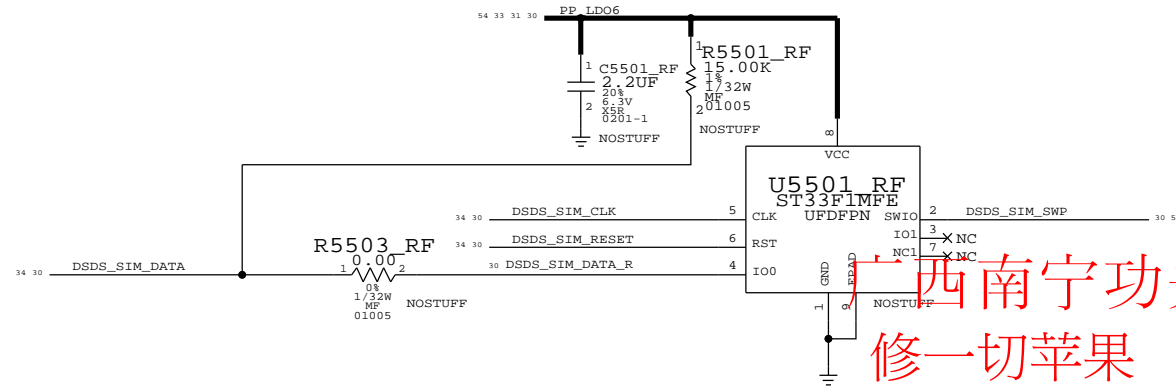
让学员们快速学会维修技术及原理分析
详情请加：
QQ：343974077 翁老师电话：13737083768
QQ：344106191 王老师电话：13737070888



PAGE TITLE JUMPER		
Apple Inc.	DRAWING NUMBER	051-9903
	REVISION	7.0.0
NOTICE OF PROPRIETARY PROPERTY: THE INFORMATION CONTAINED HEREIN IS THE PROPRIETARY PROPERTY OF APPLE, INC. THE POSSESSOR AGREES TO THE FOLLOWING: I TO MAINTAIN THIS DOCUMENT IN CONFIDENCE II NOT TO REPRODUCE OR COPY IT III NOT TO REVEAL OR PUBLISH IT IN WHOLE OR PART IV ALL RIGHTS RESERVED		
	PAGE	54 OF 55
	SHEET	53 OF 54

DSDS

CONFIDENTIAL AND PROPRIETARY APPLE SYSTEM DESIGN. FOR REFERENCE PURPOSES ONLY - NOT A CHANGE REQUEST.

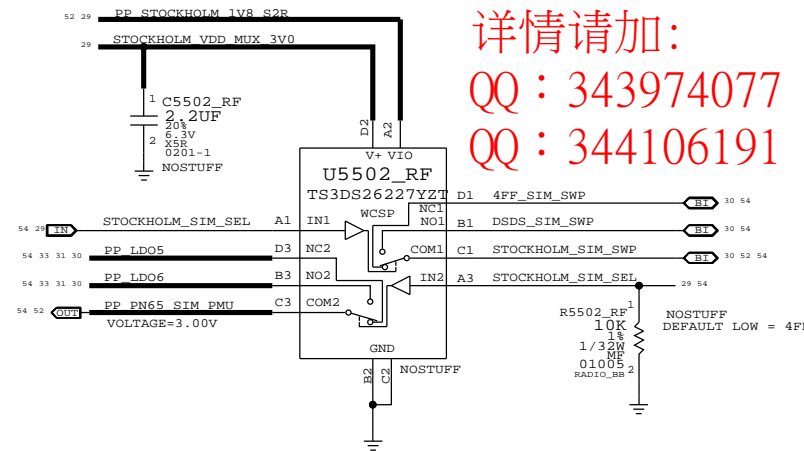
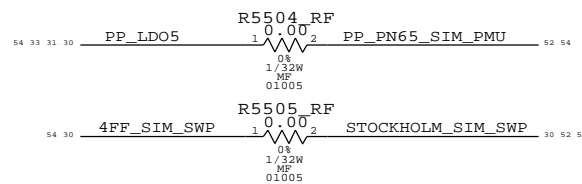


广西南宁功夫手机维修培训
 修一切苹果 招天下学生
 十年一线维修经验及教学经验

让学员们快速学会维修技术及原理分析
 详情请加:

QQ: 343974077 翁老师电话: 13737083768

QQ: 344106191 王老师电话: 13737070888



PAGE TITLE		
JUMPER		
Apple Inc.	DRAWING NUMBER	051-9903
	REVISION	7.0.0
NOTICE OF PROPRIETARY PROPERTY:		
THE INFORMATION CONTAINED HEREIN IS THE PROPRIETARY PROPERTY OF APPLE, INC. THE POSSESSOR AGREES TO THE FOLLOWING:		
I TO MAINTAIN THIS DOCUMENT IN CONFIDENCE	BRANCH	
II NOT TO REPRODUCE OR COPY IT	PAGE	55 OF 55
III NOT TO REVEAL OR PUBLISH IT IN WHOLE OR PART	SHEET	54 OF 54
IV ALL RIGHTS RESERVED		