



# Compal Confidential

## PICASSO M Schematics Document

**Nvdia(T30S) + LPDDRII**

**QAJ70-LA-8022P**

2012-03-28      REV: 1.0

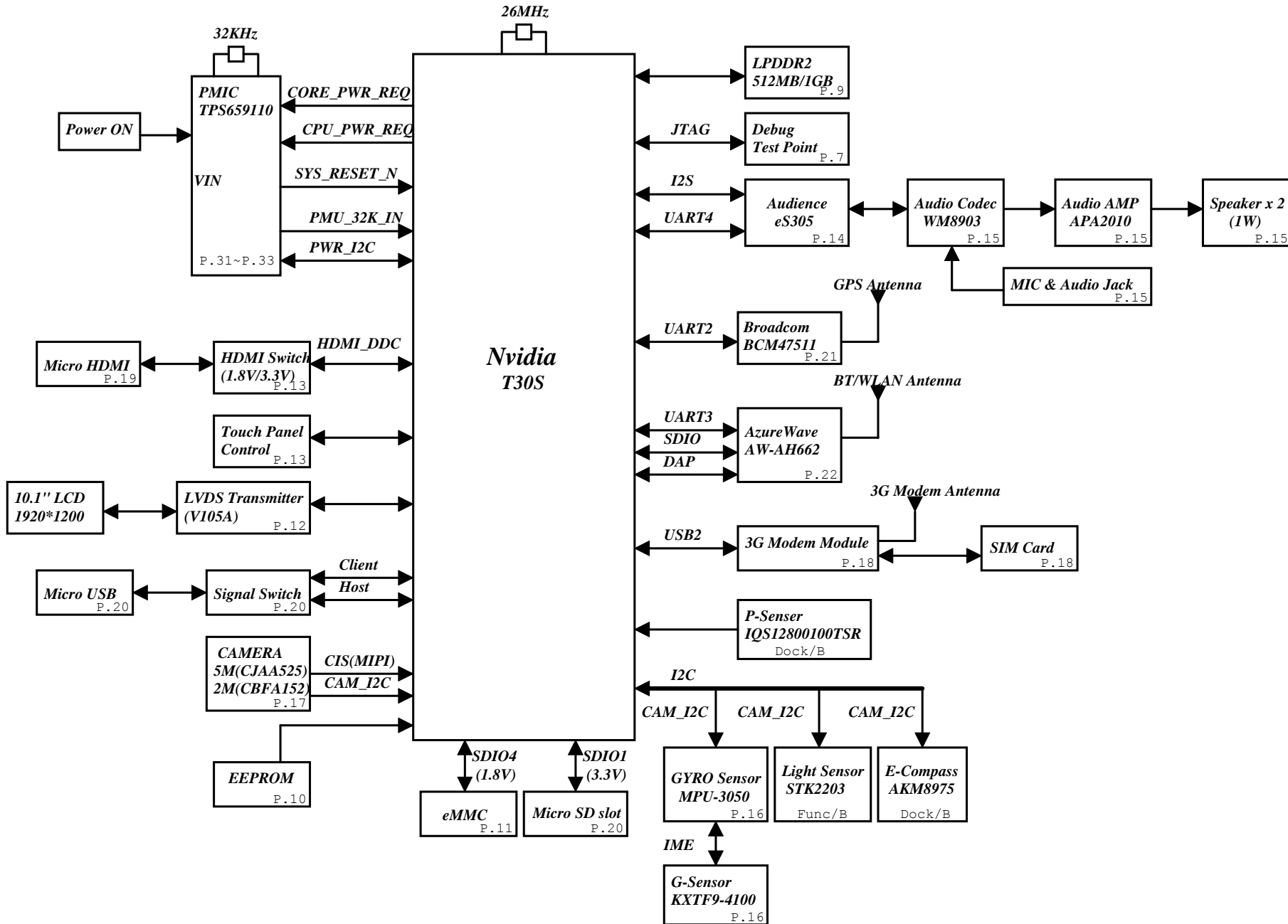
※The content in this document contains confidential information of Compal Electronics, Inc. that is protected under all applicable trade secrets laws and regulations.

If you are not the intended recipient or otherwise authorized to receive such information, please do not copy, distribute or otherwise use the information contained herein and please destroy this communication accordingly.

Security Classification	Compal Secret Data		Compal Electronics, Inc.			
Issued Date	2011/06/20	Deciphered Date	2012/06/20	Title	4019FQ	
THIS SHEET OF ENGINEERING DRAWING IS THE PROPRIETARY PROPERTY OF COMPAL ELECTRONICS, INC. AND CONTAINS CONFIDENTIAL AND TRADE SECRET INFORMATION. THIS SHEET MAY NOT BE TRANSFERRED FROM THE CUSTODY OF THE COMPETENT DIVISION OF R&D DEPARTMENT EXCEPT AS AUTHORIZED BY COMPAL ELECTRONICS, INC. NEITHER THIS SHEET NOR THE INFORMATION IT CONTAINS MAY BE USED BY OR DISCLOSED TO ANY THIRD PARTY WITHOUT PRIOR WRITTEN CONSENT OF COMPAL ELECTRONICS, INC.				Size	Document Number	Rev
				C	<b>SCHEMATIC MB A8022</b>	B
				Date:	Tuesday, July 10, 2012	Sheet 1 of 38

# Compal Confidential

## Model Name : NVIDIA T30S System Block Diagram



Security Classification	Compal Secret Data		Compal Electronics, Inc.	
Issued Date	2011/06/20	Deciphered Date	2012/06/20	Title
THIS SHEET OF ENGINEERING DRAWING IS THE PROPRIETARY PROPERTY OF COMPAL ELECTRONICS, INC. AND CONTAINS CONFIDENTIAL AND TRADE SECRET INFORMATION. THIS SHEET MAY NOT BE TRANSFERRED FROM THE CUSTODY OF THE COMPETENT DIVISION OF R&D DEPARTMENT EXCEPT AS AUTHORIZED BY COMPAL ELECTRONICS, INC. NEITHER THIS SHEET NOR THE INFORMATION IT CONTAINS MAY BE USED BY OR DISCLOSED TO ANY THIRD PARTY WITHOUT PRIOR WRITTEN CONSENT OF COMPAL ELECTRONICS, INC.				4019FQ
Size	C	Document Number	SCHEMATIC MB A8022	
Date:	Tuesday, July 10, 2012	Sheet	2	of 38

## Voltage Rails

Power Plane	Description
VIN	Adapter power supply (19V)
B+	AC or battery power rail for power circuit.
+VDD_1V2_RTC_TEGRA	Power for RTC and always-on core logic.
VDD_1V2_SOC	Power for remainder of core logic
+AVDD_1V1_PLL_TEGRA	AVDD_PLL power rail
+VDD_1V8_PMU_VRTC	RTC power rail
+VDD_1V8_SYS_TEGRA	System power rail
+AVDD_3V3_USB_TEGRA	USB power rail
+VDD_2V85_EMMC	Core voltage for EMMC
+VDD_1V8_CAM_TEGRA	Core voltage for CAMERA
+AVDD_3V3_HDMI_S	HDMI power rail
VDD_1V8_GEN	1.8V switched power rail for standby mode
+VDD_3V3_DDR_RX_TEGRA	DDR RX power rail
+3VS	3.3V switched power rail for standby mode
+5VS	5V switched power rail for standby mode
+VDD_LED_BL	LED power rail
+VDD_3V3_SDMMC1_TEGRA	Micro SD power rail
+VDD_VCM_3V3	CAMERA power rail
+VDD_1V2_DDR_MEM	DDR power rail

## GEN1\_I2C <+VDD\_1V8\_SENSOR >

Device	Address<Write,Read>
Gyro	0xD0 , 0xD1
E Compass	0x18 , 0x19
Light Sensor	0x38 , 0x39

## GEN2\_I2C / TS\_I2C < +VDD\_3V3\_GMI\_TEGRA >

Device	Address<Write,Read>
Touch Screen	0x98 , 0x99

## CAM\_I2C < +VDD\_1V8\_CAM\_TEGRA >

Device	Address<Write,Read>
Camera 5M	0x78 , 0x79
Camera 2M	0x20 , 0x21
Flash LED	0x66 , 0x67

## PWR\_I2C < +VDD\_1V8\_SYS\_TEGRA >

Device	Address<Write,Read>
Thermal Sensor	0x98 , 0x99
ES305	0x3E
Codec	0x34 , 0x35
PMU	0x2D
TPS62361	0x60
BATT Conn	0xAA , 0xAB
EEPROM (Low level)	0xA0 , 0xA1
EEPROM (High level)	0xA2 , 0xA3

## Board ID

### PICASSO 2

EVT	QA150(2-6-2)		QA170(3-4-3)			
SKU	SKU1(3G only)	SKU1-1(WIFI&3G)	SKU2(3G only)	SKU2-1(WIFI&3G)		
WIFI/ET	NH660	AH662	NH660	AH662		
PCB_ID0	L	L	H	H	L : 262	H : 343
PCB_ID1	L	H	L	H	L : AH663	H : NH660
PCB_ID2	L	L	L	L	L : NON LTE	H : LTE
BOARD_ID0	L	L	L	L		
BOARD_ID1	L	L	L	L	00:EVT	

DVT1	QA150(2-6-2)		QA170(3-4-3)			
SKU	SKU1(WIFI only)	SKU2(WIFI only)	SKU3(WIFI&3G)	SKU4(WIFI&3G)	SKU5(WIFI&LTE)	
WIFI/ET	AW-AH663	AW-NH660	AW-NH660	AW-AH663	AW-AH663	
PCB_ID0	L	L	H	H	H	L : 262 H : 343
PCB_ID1	L	H	H	L	L	L : AH663 H : NH660
PCB_ID2	L	L	L	L	H	L : NON LTE H : LTE
BOARD_ID0	H	H	H	H	H	
BOARD_ID1	L	L	L	L	L	01:DVT1

DVT2	QA150(2-6-2)									
SKU	SKU1(WIFI only)	SKU2(WIFI only)	SKU3(WIFI only)	SKU4(WIFI only)	SKU5(WIFI only)	SKU6(WIFI only)	SKU7(WIFI only)	SKU8(WIFI only)		
WIFI/ET	AW-AH663	AW-AH663	AW-AH663	AW-AH663	AW-AH663	AW-AH663	AW-AH663	AW-AH663		
PCB_ID0	L	L	L	L	L	L	L	L	L : 262	H : 343
PCB_ID1	L	L	L	L	L	L	L	L	L : AH663	H : NH660
PCB_ID2	L	L	L	L	L	L	L	L	L : NON LTE	H : LTE
U1_I37	L	L	L	L	L	L	L	L	L : Picasso 2	H : Picasso M
BOARD_ID0	L	L	L	L	L	L	L	L		
BOARD_ID1	H	H	H	H	H	H	H	H	10:DVT2	

DVT2	QA170(3-4-3)							
SKU	SKU9(WIFI&3G)	SKU10(WIFI&3G)	SKU11(WIFI&3G)	SKU12(WIFI&3G)	SKU13(WIFI&LTE)	SKU14(WIFI&LTE)		
WIFI/ET	AW-AH663	AW-AH663	AW-AH663	AW-AH663	AW-AH663	AW-AH663		
PCB_ID0	H	H	H	H	H	H	L : 262	H : 343
PCB_ID1	L	L	L	L	L	L	L : AH663	H : NH660
PCB_ID2	L	L	L	L	H	H	L : NON LTE	H : LTE
U1_I37	L	L	L	L	L	L	L : Picasso 2	H : Picasso M
BOARD_ID0	L	L	L	L	L	L		
BOARD_ID1	H	H	H	H	H	H	10:DVT2	

### PICASSO M

EVT	QA1A0(2-6-2)		
SKU	SKU1(Wifi only)		
PCB_ID0	L	L : 262	H : 343
PCB_ID1	H	L : AH663	H : NH660
PCB_ID2	L	L : NON LTE	H : LTE
U1_I37	H	L : Picasso 2	H : Picasso M
BOARD_ID0	L		
BOARD_ID1	L	00:EVT	

DVT1	QA1A0(2-6-2)		
SKU	SKU1(Wifi only)		
PCB_ID0	L	L : 262	H : 343
PCB_ID1	H	L : AH663	H : NH660
PCB_ID2	L	L : NON LTE	H : LTE
U1_I37	H	L : Picasso 2	H : Picasso M
BOARD_ID0	L		
BOARD_ID1	L	00:EVT(R01)	

DVT2	QA1A0(2-6-2)		
SKU	SKU1(Wifi only)		
PCB_ID0	L	L : 262	H : 343
PCB_ID1	H	L : AH663	H : NH660
PCB_ID2	L	L : NON LTE	H : LTE
U1_I37	H	L : Picasso 2	H : Picasso M
BOARD_ID0	L		
BOARD_ID1	L	01:DVT1(R02)	

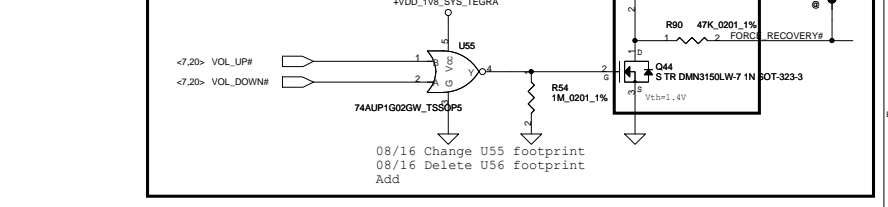
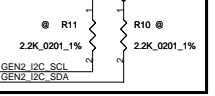
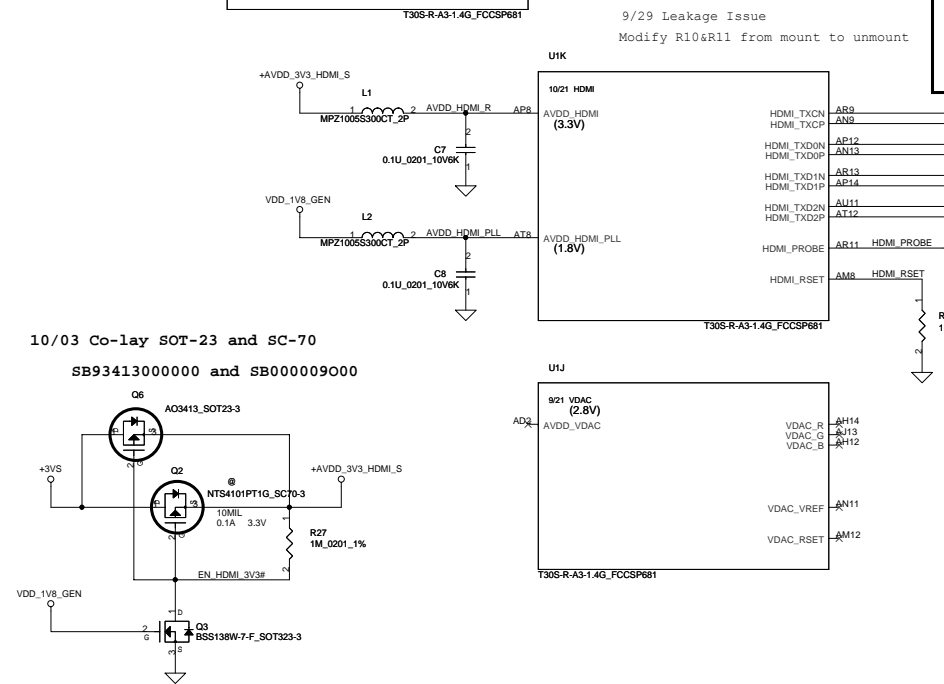
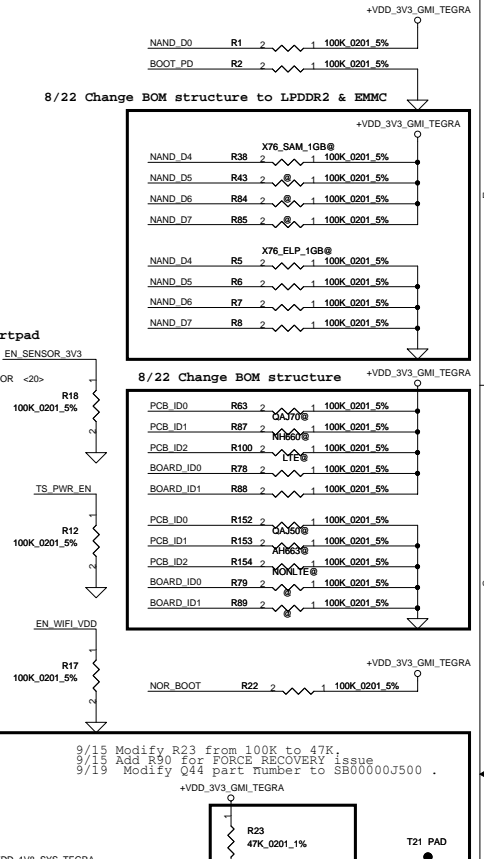
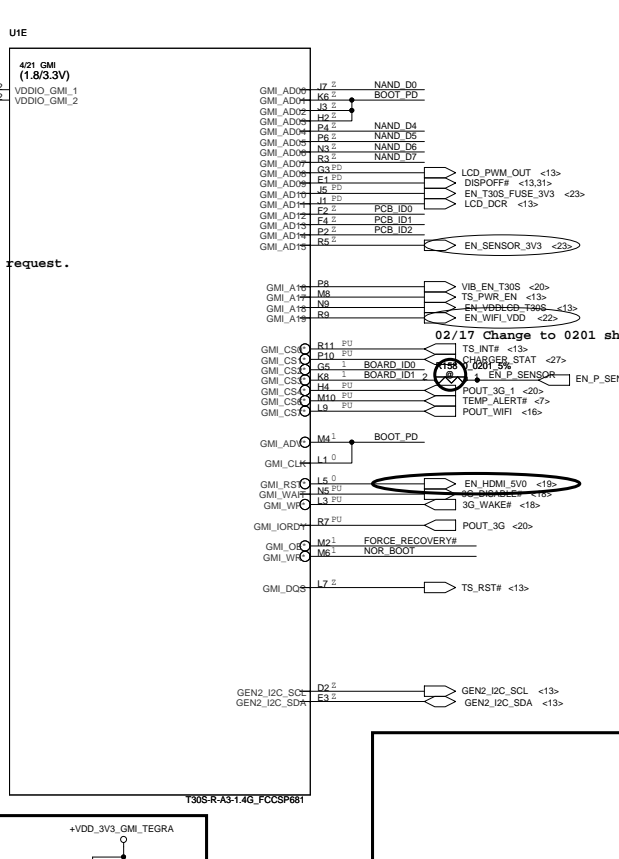
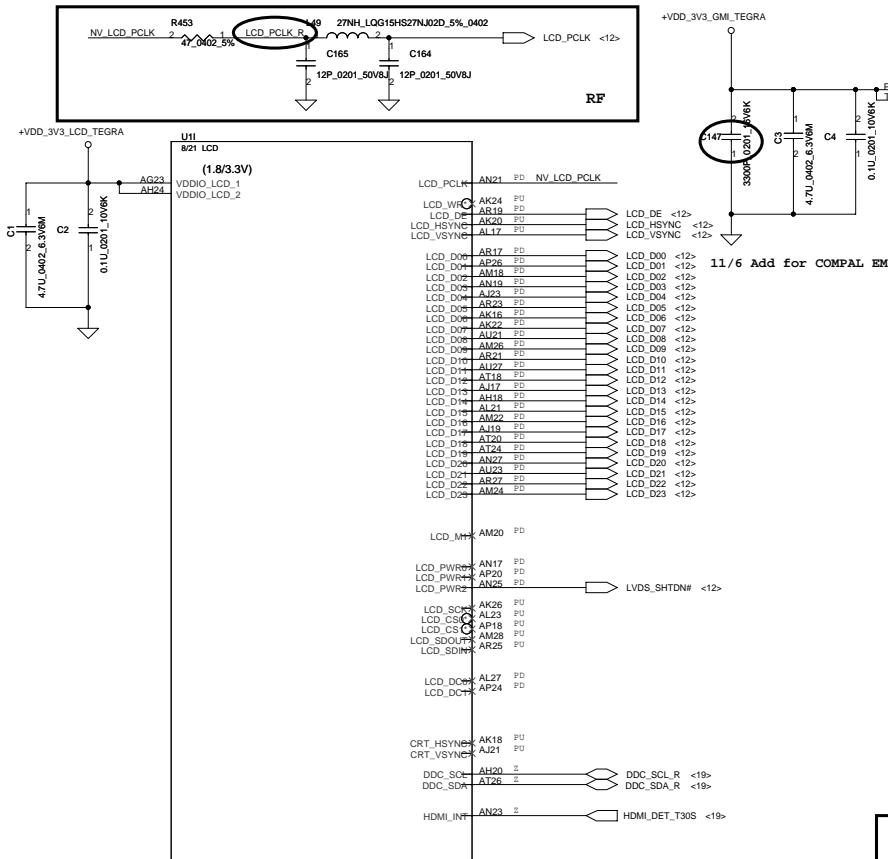
## LPDDR2

	Vendor PN	Acer PN	Compal PN	Assign Bit	NAND_D4	NAND_D5	
LPDDR2	EDB8132E2MA-1D-F	IC.0080E.002	SA000050Z10	00	0	0	ELF_1GB@
	K4P8G304EB-RG2	IC.00809.002	SA00004TY20	01	1	0	SAM_1GB@

## LVDS strap pin

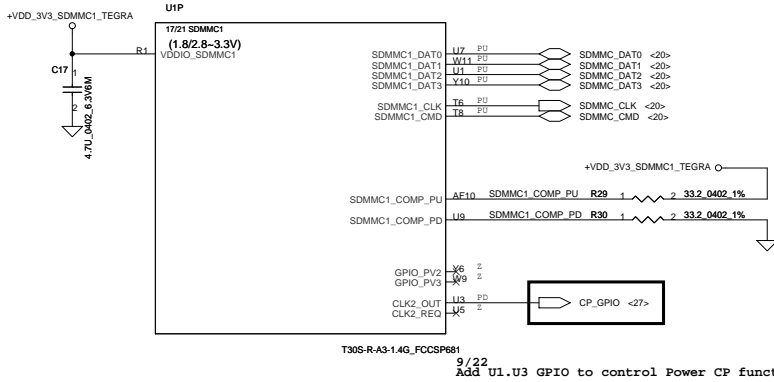
	LVDS_CTRL2	LVDS_CTRL1	LVDS_CTRL0	LVDS_MAP	LCD_PCLK	LVDS_ACLK
PicassoM	L	H	H	H	70.34Mhz	71.56Mhz
Picasso2	L	H	L	L	152.28Mhz	76.14Mhz

Security Classification	Compal Secret Data		Compal Electronics, Inc.	
Issued Date	2011/06/20	Deciphered Date	2012/06/20	Title
THIS SHEET OF ENGINEERING DRAWING IS THE PROPRIETARY PROPERTY OF COMPAL ELECTRONICS, INC. AND CONTAINS CONFIDENTIAL AND TRADE SECRET INFORMATION. THIS SHEET MAY NOT BE TRANSFERRED FROM THE CUSTODY OF THE COMPETENT DIVISION OF R&D DEPARTMENT EXCEPT AS AUTHORIZED BY COMPAL ELECTRONICS, INC. NEITHER THIS SHEET NOR THE INFORMATION IT CONTAINS MAY BE USED BY OR DISCLOSED TO ANY THIRD PARTY WITHOUT PRIOR WRITTEN CONSENT OF COMPAL ELECTRONICS, INC.				4019FQ
Size C	Document Number	SCHEMATIC MB A8022		Rev B
Date:	Tuesday, July 10, 2012	Sheet	3	of 38

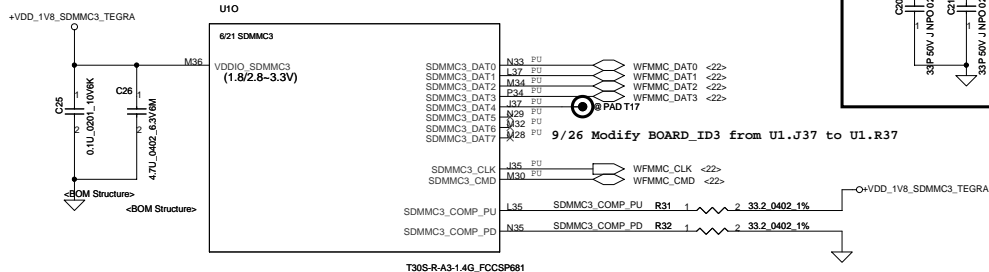


Security Classification	Compal Secret Data		Compal Electronics, Inc.	
Issued Date	2011/06/20	Deciphered Date	2012/06/20	Title
THIS SHEET OF ENGINEERING DRAWINGS IS THE PROPRIETARY PROPERTY OF COMPAL ELECTRONICS, INC. AND CONTAINS CONFIDENTIAL AND TRADE SECRET INFORMATION. THIS SHEET MAY NOT BE TRANSFERRED FROM THE CUSTODY OF THE COMPETENT DIVISION OF R&D DEPARTMENT EXCEPT AS AUTHORIZED BY COMPAL ELECTRONICS, INC. NEITHER THIS SHEET NOR THE INFORMATION IT CONTAINS MAY BE USED BY OR DISCLOSED TO ANY THIRD PARTY WITHOUT PRIOR WRITTEN CONSENT OF COMPAL ELECTRONICS, INC.				74019FQ
Size	C	Document Number	SCHEMATIC MB A8022	
Date:	Tuesday, July 10, 2012	Sheet	4	of 38

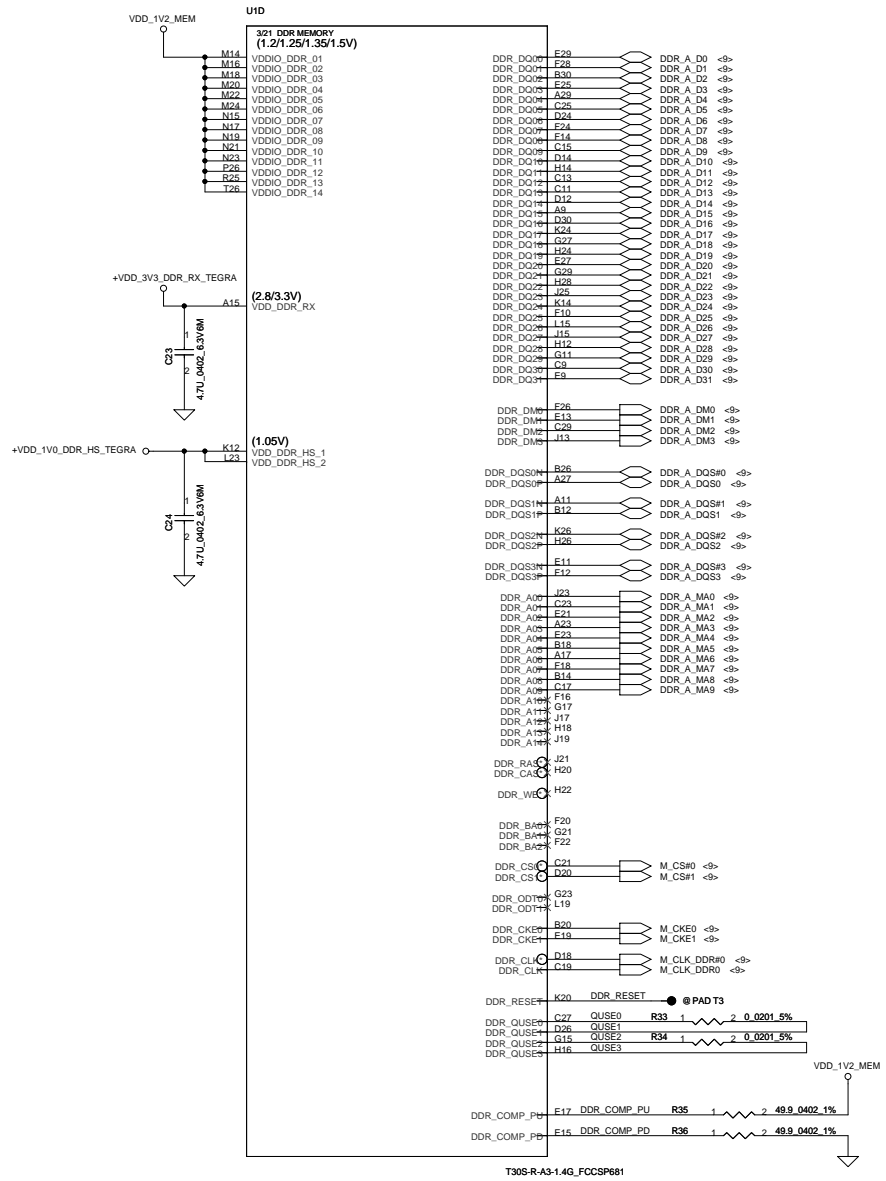
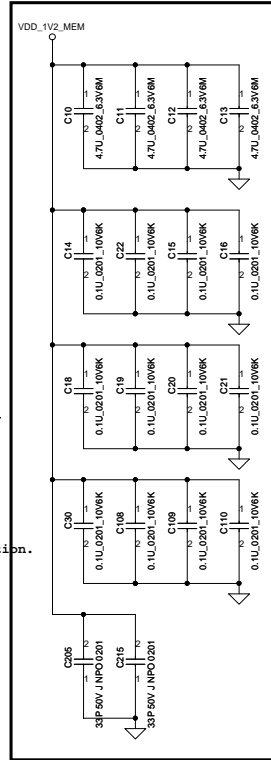
**SDMMC1 : SD card**



**SDMMC3 : WIFI**

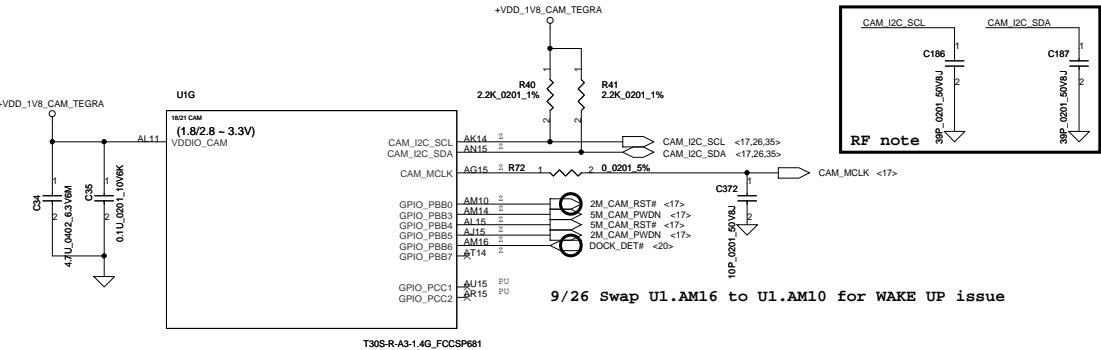
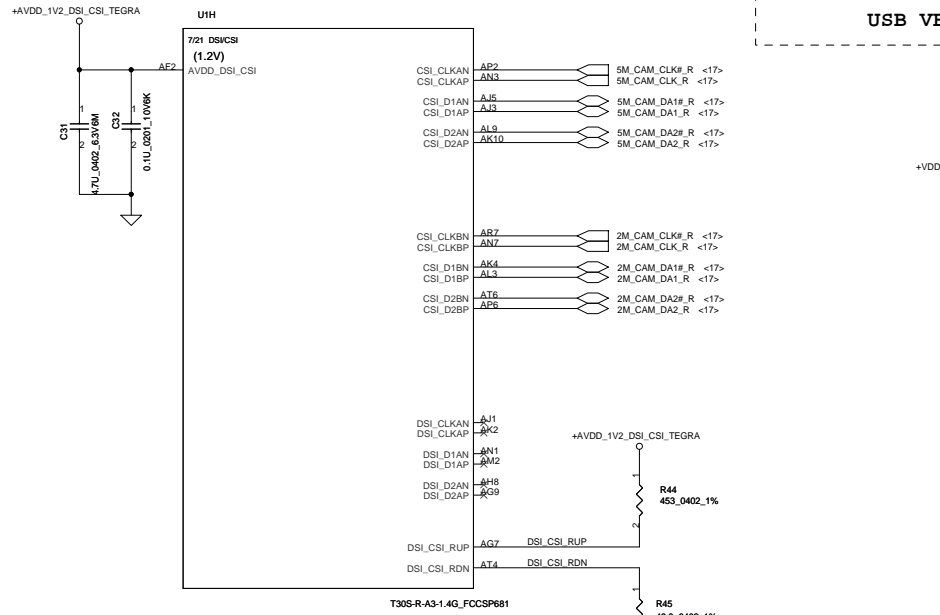
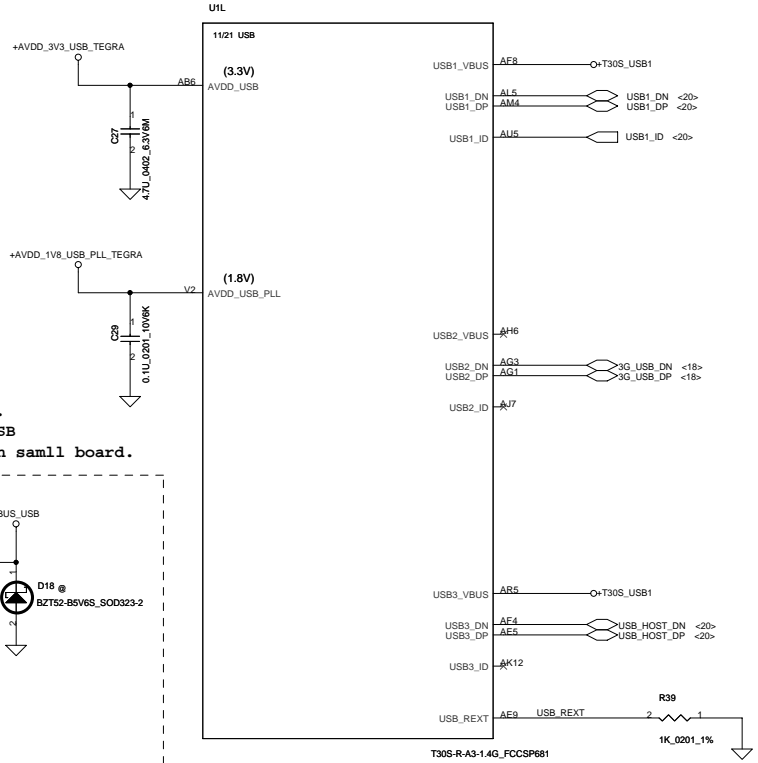
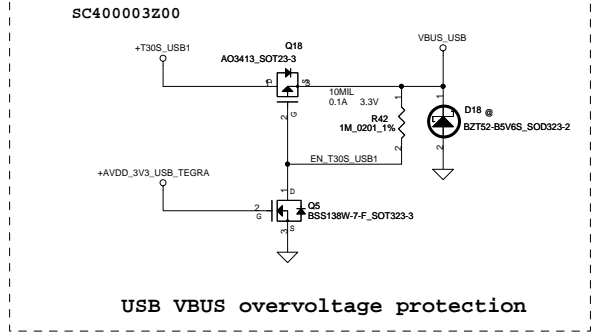
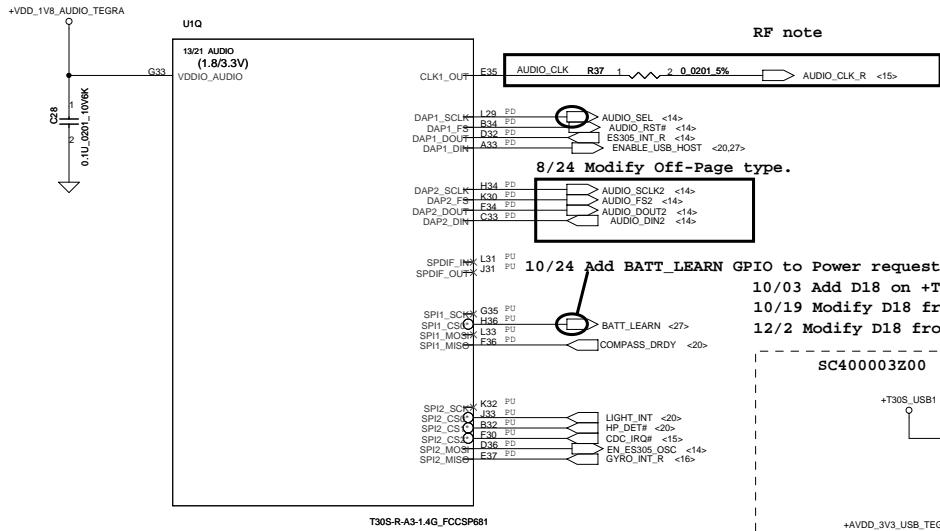


**Acer request**



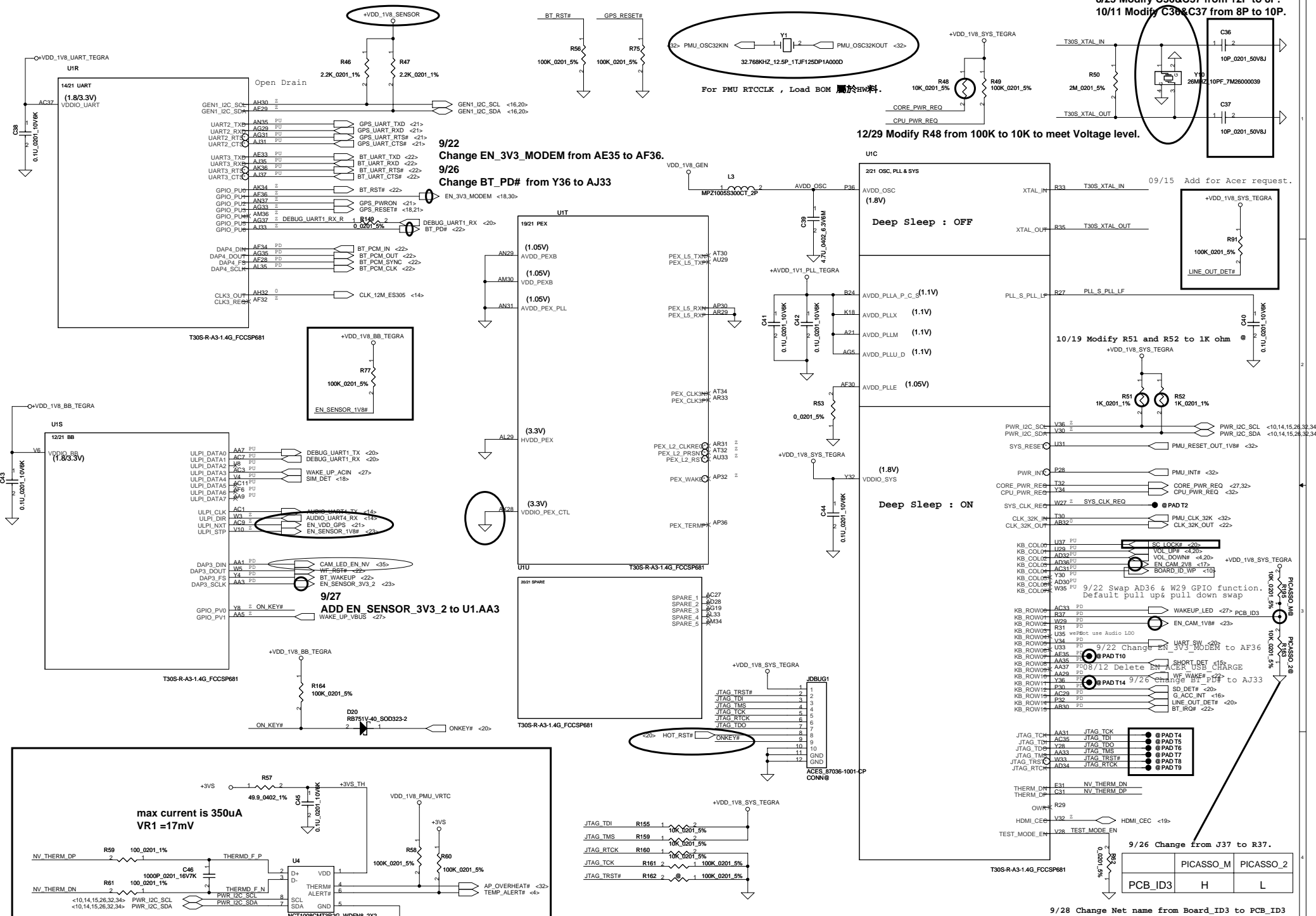
Security Classification	Compal Secret Data		Compal Electronics, Inc.	
Issued Date	2011/06/20	Deciphered Date	2012/06/20	Title
THIS SHEET OF ENGINEERING DRAWING IS THE PROPRIETARY PROPERTY OF COMPAL ELECTRONICS, INC. AND CONTAINS CONFIDENTIAL AND TRADE SECRET INFORMATION. THIS SHEET MAY NOT BE TRANSFERRED FROM THE CUSTODY OF THE COMPETENT DIVISION OF R&D DEPARTMENT EXCEPT AS AUTHORIZED BY COMPAL ELECTRONICS, INC. NEITHER THIS SHEET NOR THE INFORMATION IT CONTAINS MAY BE USED BY OR DISCLOSED TO ANY THIRD PARTY WITHOUT PRIOR WRITTEN CONSENT OF COMPAL ELECTRONICS, INC.				4019FQ
Size	C	Document Number	SCHEMATIC MB A8022	
Date:	Tuesday, July 10, 2012	Sheet	5	of 38

U1Q is not place on grid , need check connection



Security Classification	Compal Secret Data			Compal Electronics, Inc.	
Issued Date	2011/06/20	Deciphered Date	2012/06/20	Title	4019FQ
THIS SHEET OF ENGINEERING DRAWING IS THE PROPRIETARY PROPERTY OF COMPAL ELECTRONICS, INC. AND CONTAINS CONFIDENTIAL AND TRADE SECRET INFORMATION. THIS SHEET MAY NOT BE TRANSFERRED FROM THE CUSTODY OF THE COMPETENT DIVISION OF R&D DEPARTMENT EXCEPT AS AUTHORIZED BY COMPAL ELECTRONICS, INC. NEITHER THIS SHEET NOR THE INFORMATION IT CONTAINS MAY BE USED BY OR DISCLOSED TO ANY THIRD PARTY WITHOUT PRIOR WRITTEN CONSENT OF COMPAL ELECTRONICS, INC.					
Size	Document Number	SCHEMATIC MB A8022		Rev	B
Date:	Tuesday, July 10, 2012	Sheet	6	of	38

8/25 Modify C36&C37 from 12P to 8P.  
10/11 Modify C36&C37 from 8P to 10P.



9/22 Change EN\_3V3\_MODEM from AE35 to AF36.  
9/26 Change BT\_PD# from Y36 to AJ33

12/29 Modify R48 from 100K to 10K to meet Voltage level.

10/19 Modify R51 and R52 to 1K ohm

9/22 Swap AD36 & W29 GPIO function. Default pull up & pull down swap

9/22 Change EN\_3V3\_MODEM to AF36

9/26 Delete EN\_3V3\_MODEM to AF36

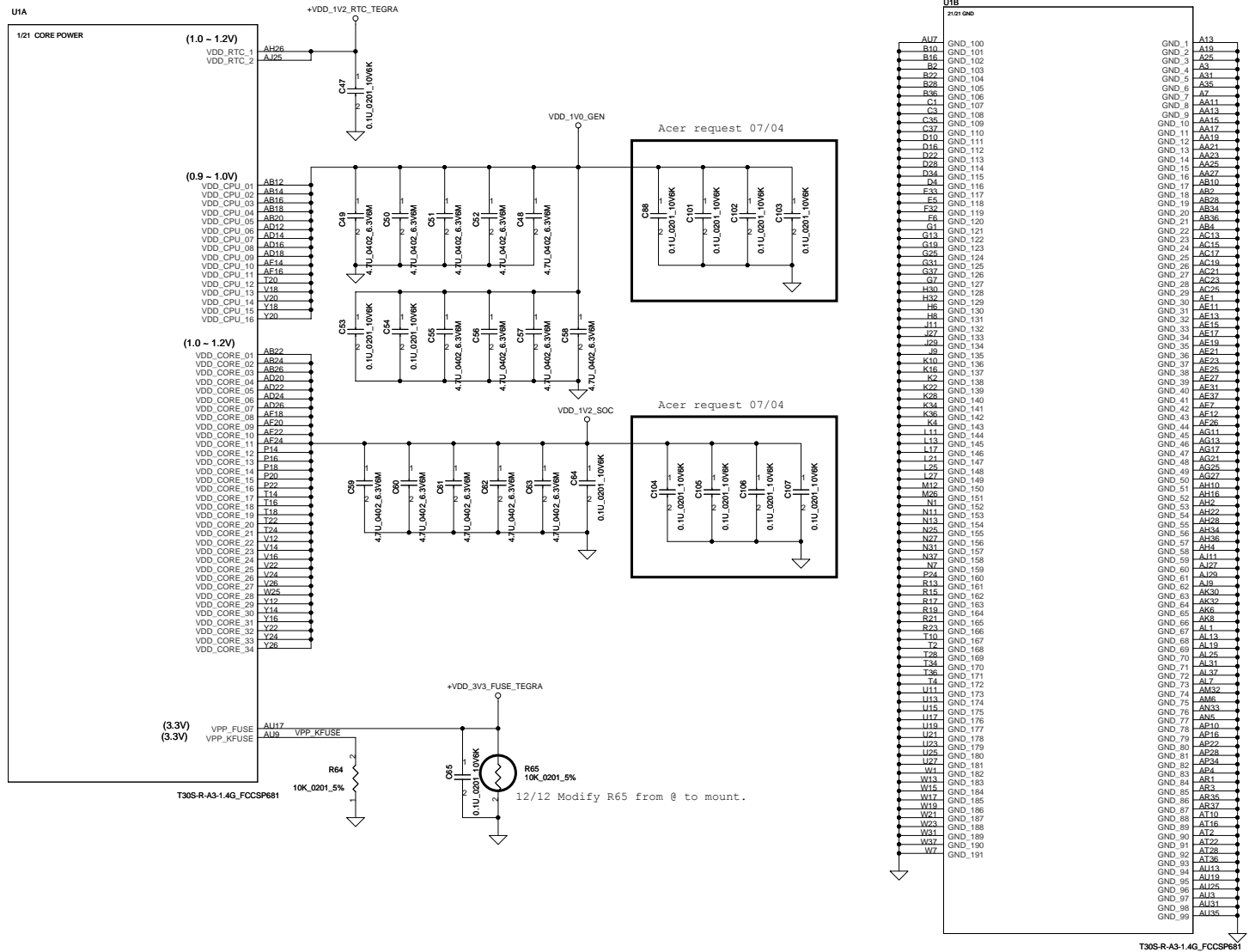
9/26 Change from J37 to R37.

9/28 Change Net name from Board\_ID3 to PCB\_ID3

max current is 350uA  
VR1=17mV

Thermal

Security Classification	Compal Secret Data		Compal Electronics, Inc.	
Issued Date	2011/06/20	Deciphered Date	2012/06/20	
THIS SHEET OF ENGINEERING DRAWINGS IS THE PROPRIETARY PROPERTY OF COMPAL ELECTRONICS, INC. AND CONTAINS CONFIDENTIAL AND TRADE SECRET INFORMATION. THIS SHEET MAY NOT BE TRANSFERRED FROM THE CUSTODY OF THE COMPETENT DIVISION OF R&D DEPARTMENT EXCEPT AS AUTHORIZED BY COMPAL ELECTRONICS, INC. NEITHER THIS SHEET NOR THE INFORMATION IT CONTAINS MAY BE USED BY OR DISCLOSED TO ANY THIRD PARTY WITHOUT PRIOR WRITTEN CONSENT OF COMPAL ELECTRONICS, INC.				
Title	4019FQ		Size	Document Number
Date:	Tuesday, July 10, 2012	Sheet	7	of 38



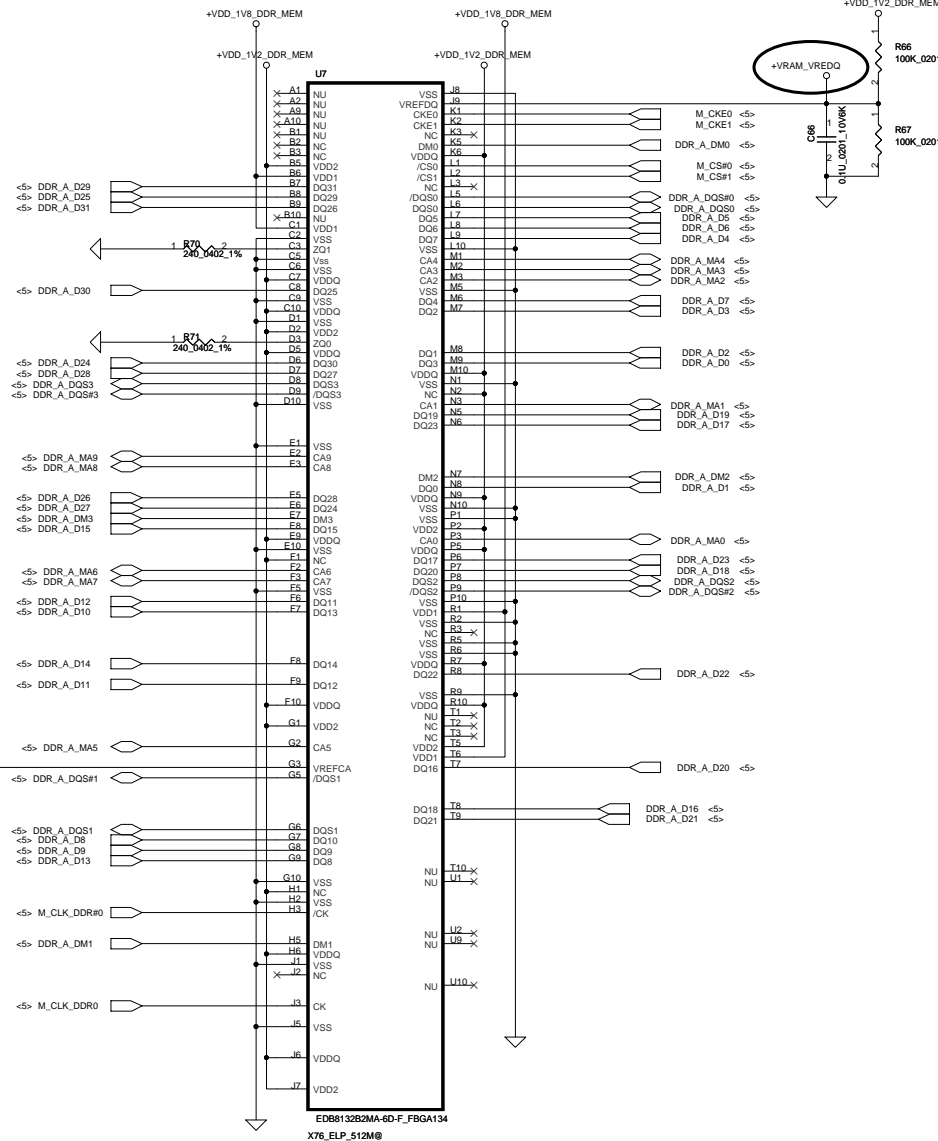
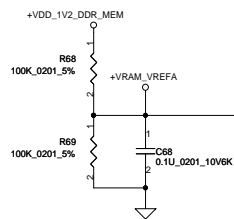


Follow NV design  
NET NAME BALL NAME

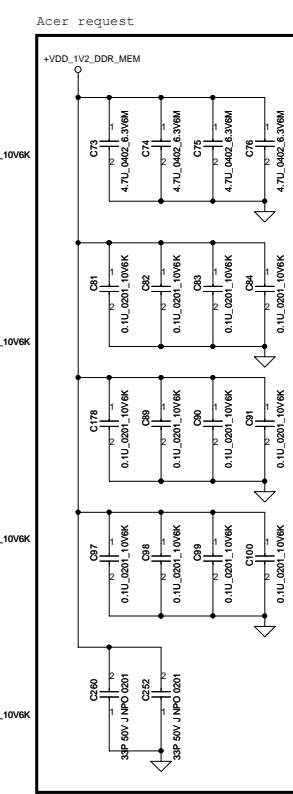
- A0 P3
- A1 N3
- A2 M3
- A3 M2
- A4 M1
- A5 G2
- A6 F2
- A7 F3
- A8 E3
- A9 E2
- CKE0 K1
- CKE1 K2
- CLK J3
- CLK# H3
- CS0 L1
- CS1 L2
- DM0 K5
- DM1 H5
- DQ0 N9
- DQ1 N8
- DQ10 F7
- DQ11 F9
- DQ12 F6
- DQ13 G9
- DQ14 F8
- DQ15 E8
- DQ2 M8
- DQ3 N7
- DQ4 L9
- DQ5 L7
- DQ6 L8
- DQ7 M6
- DQ8 G7
- DQ9 G8
- DQS0 L6
- DQS0# L5
- DQS1 G6
- DQS1# G5

Layer 2

- DM2 N7
- DM3 E7
- DQ16 T8
- DQ17 N6
- DQ18 P7
- DQ19 N5
- DQ20 T7
- DQ21 T9
- DQ22 R8
- DQ23 P6
- DQ24 D6
- DQ25 B8
- DQ26 E5
- DQ27 E6
- DQ28 D7
- DQ29 B7
- DQ30 C8
- DQ31 B9
- DQS2 P8
- DQS2# P9
- DQS3 D8
- DQS3# D9



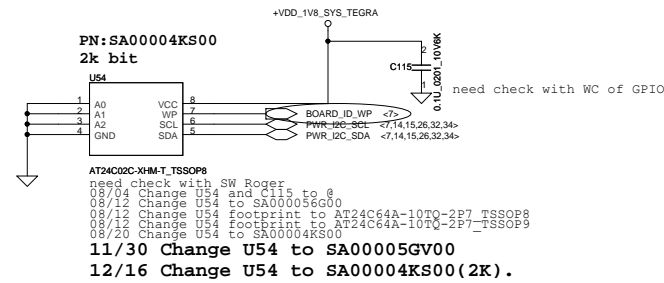
F1, H1, N2 are the NC pins which assembled/embedded the interconnection into ELP Vdd sources already. due to co-layout the LPDDR2, it is need to apply 1.2 volt on F1, H1 and N2 pins.



- U7 X76\_SAM\_1GB@ (1GB Samsung) SA00004YY20
- U7 X76\_ELP\_1GB@ (1GB Elpida) SA000050Z10

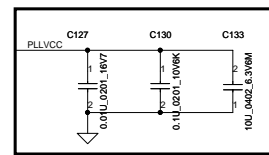
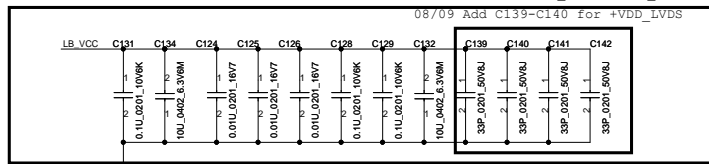
Security Classification	Compal Secret Data		Compal Electronics, Inc.	
Issued Date	2011/06/20	Deciphered Date	2012/06/20	Title
THIS SHEET OF ENGINEERING DRAWING IS THE PROPRIETARY PROPERTY OF COMPAL ELECTRONICS, INC. AND CONTAINS CONFIDENTIAL AND TRADE SECRET INFORMATION. THIS SHEET MAY NOT BE TRANSFERRED FROM THE CUSTODY OF THE COMPETENT DIVISION OF R&D DEPARTMENT EXCEPT AS AUTHORIZED BY COMPAL ELECTRONICS, INC. NEITHER THIS SHEET NOR THE INFORMATION IT CONTAINS MAY BE USED BY OR DISCLOSED TO ANY THIRD PARTY WITHOUT PRIOR WRITTEN CONSENT OF COMPAL ELECTRONICS, INC.				4019FQ
Size	C	Document Number	SCHEMATIC MB A8022	
Date:	Tuesday, July 10, 2012	Sheet	9	of 38

# Remove EC

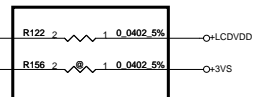
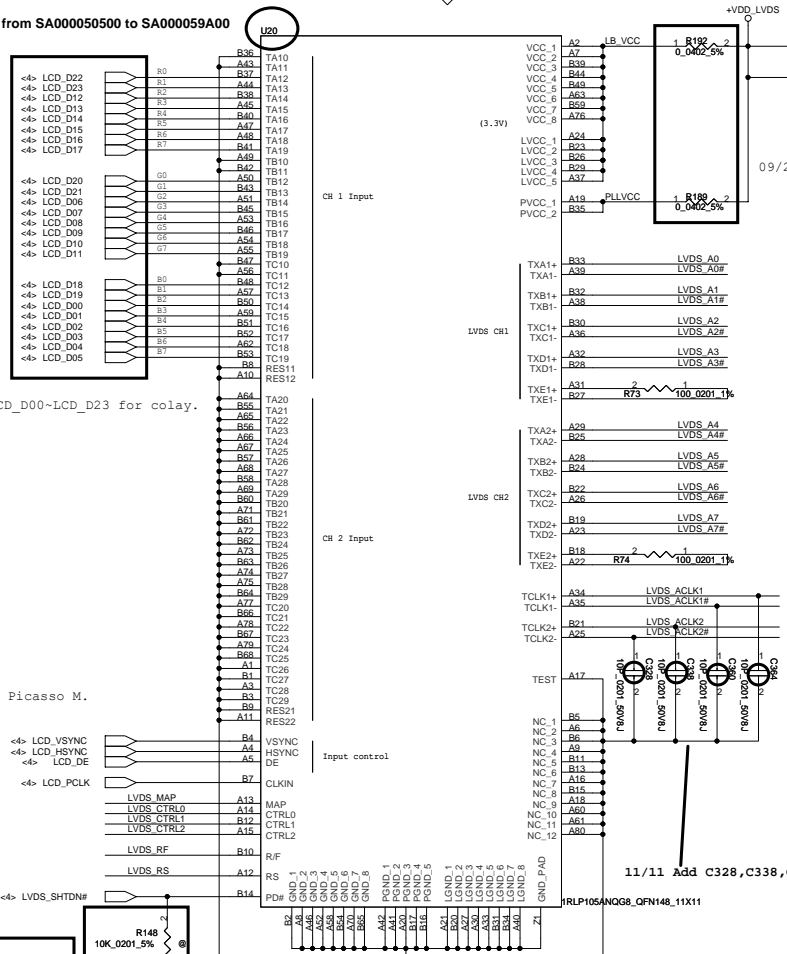


Security Classification	Compal Secret Data		Compal Electronics, Inc.	
Issued Date	2011/06/20	Deciphered Date	2012/06/20	Title
THIS SHEET OF ENGINEERING DRAWING IS THE PROPRIETARY PROPERTY OF COMPAL ELECTRONICS, INC. AND CONTAINS CONFIDENTIAL AND TRADE SECRET INFORMATION. THIS SHEET MAY NOT BE TRANSFERRED FROM THE CUSTODY OF THE COMPETENT DIVISION OF R&D DEPARTMENT EXCEPT AS AUTHORIZED BY COMPAL ELECTRONICS, INC. NEITHER THIS SHEET NOR THE INFORMATION IT CONTAINS MAY BE USED BY OR DISCLOSED TO ANY THIRD PARTY WITHOUT PRIOR WRITTEN CONSENT OF COMPAL ELECTRONICS, INC.				4019FQ
Size	Document Number	SCHEMATIC MB A8022		Rev
C				B
Date:	Tuesday, July 10, 2012	Sheet	10	of 38





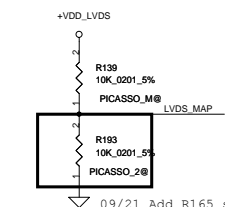
10/19 Modify U20 PN from SA000050500 to SA000059A00



09/26 Change R122 & R156 package from 0201 to 0402

09/21 Isolated LB\_VCC and PLLVCC.

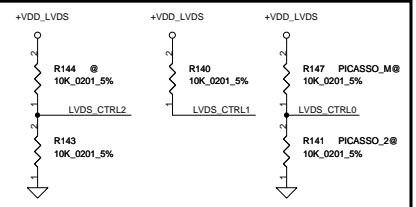
09/21 swap LCD\_D00-LCD\_D23 for colay.



09/21 Add R165 select pin for Picasso M.

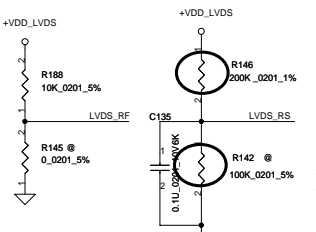
**LVDS\_MAP configuration:**  
High: Picasso M  
Low: Picasso 2

need check for single in single out



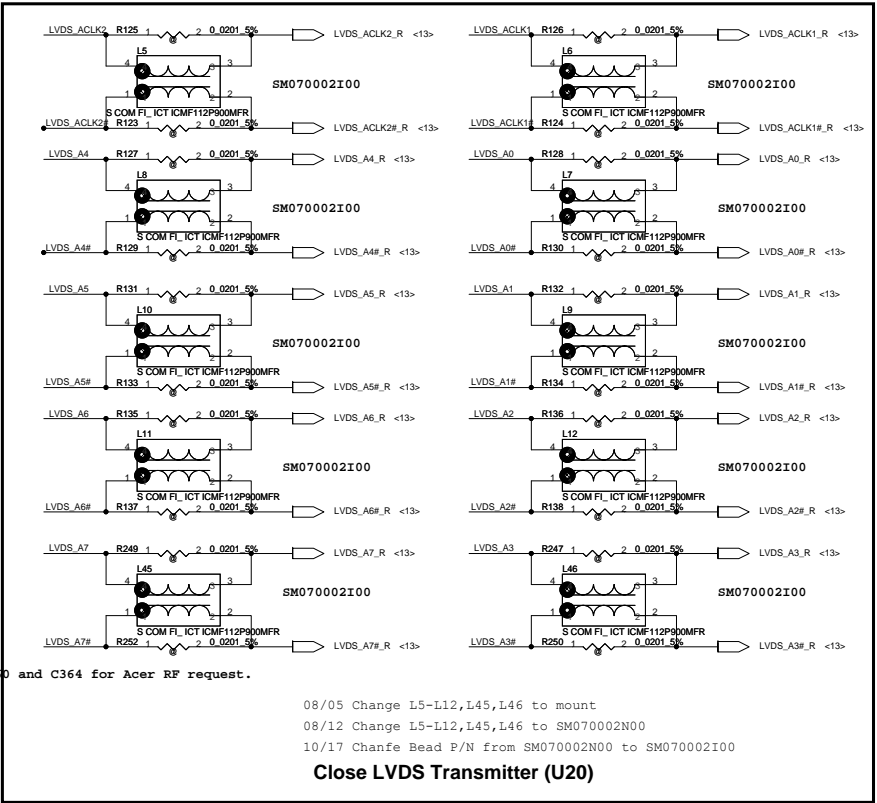
08/12 Add R148 PD LVDS\_SHTDN# to GND

CTRL[2:0] = LHL	Single-In, Dual-Out (DDR Off)
CTRL[2:0] = HHL	Single-In, Dual-Out (DDR On)
CTRL[2:0] = LHH	Single-In, Single-Out (Distribution Off)
CTRL[2:0] = HHH	Single-In, Single-Out (Distribution On)



10/14 Modify LVDS\_RS from pull up to pull down to reduce power consumption.

11/1 Modify LVDS\_RS from pull down to pull up to meet SPEC

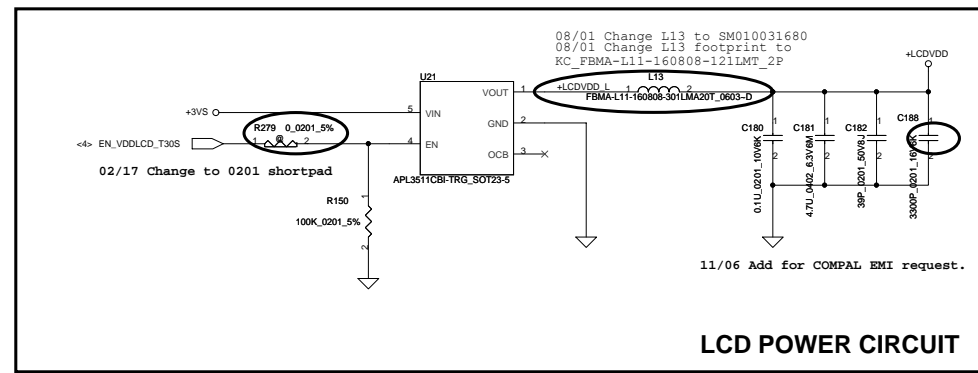
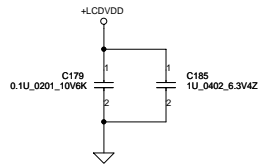


11/11 Add C328,C338,C360 and C364 for Acer RF request.

08/05 Change L5-L12,L45,L46 to mount  
08/12 Change L5-L12,L45,L46 to SM070002N00  
10/17 Chanfe Bead P/N from SM070002N00 to SM070002I00

**Close LVDS Transmitter (U20)**

RS Input Voltage	LVDS Output Swing	CMOS/TTL Input Configuration ( Input Voltage Swing
VCC	350 mV	Standard Input and Output Configuration
0.6 ~ 1.4 V	350 mV	Small Input Swing, Standard Output Swing Configuration
GND	200 mV	Standard Input Swing, Reduced Output Swing Configuration

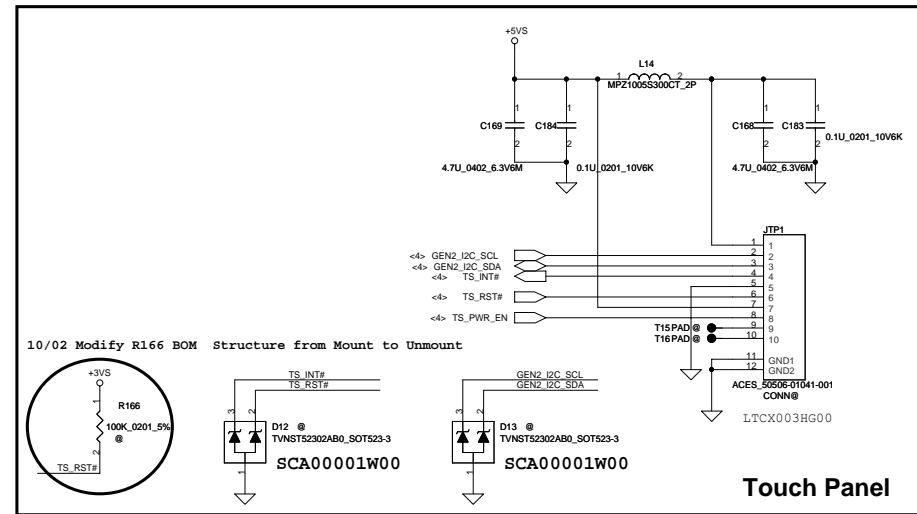
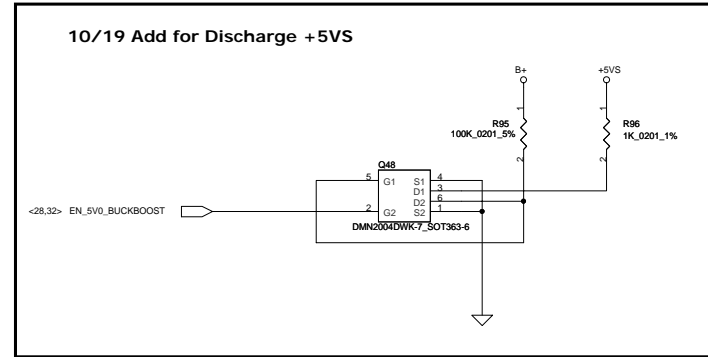
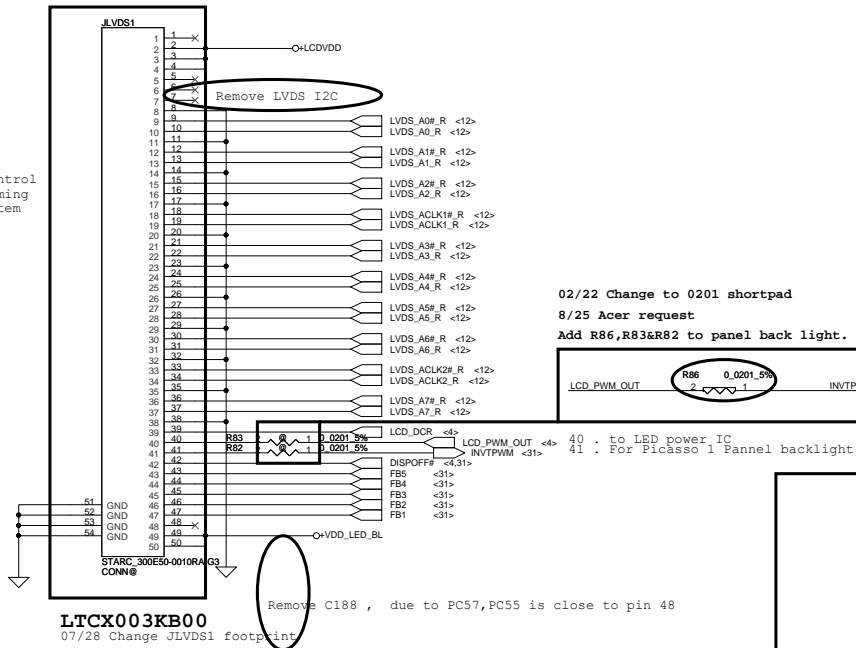


- Panel SPEC
- 2 VDD Power Supply +3.3V
  - 3 VDD Power Supply +3.3V
  - 4 VDDLEDID EDID +3.3V

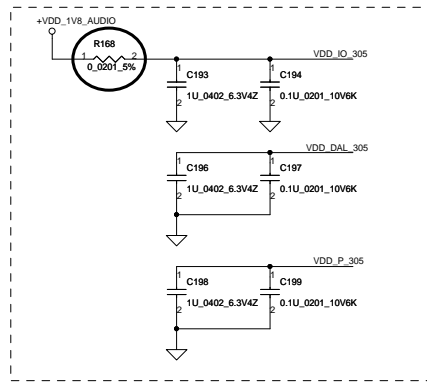
- 38 DCR\_EN (CABC\_EN) Dynamic backlight control
- 39 PWM\_IN System PWM signal input for dimming
- 40 PWM\_OUT Panel PWM signal output to system

- 43 LED\_CA5 LED Cathode 5
- 44 LED\_CA4 LED Cathode 4
- 45 LED\_CA3 LED Cathode 3
- 46 LED\_CA2 LED Cathode 2
- 47 LED\_CA1 LED Cathode 1

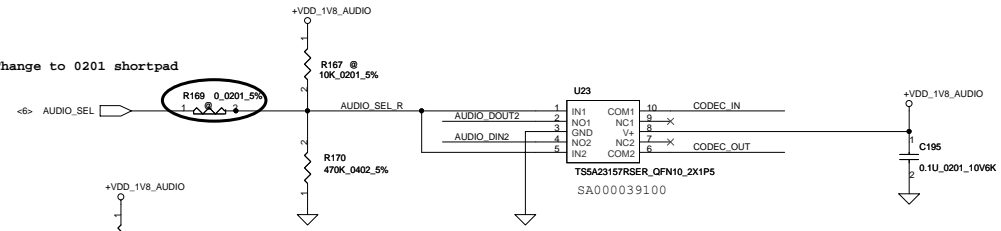
- 49 VLED Output LED Backlight power
- 50 VLED Output LED Backlight power



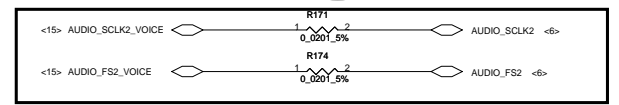
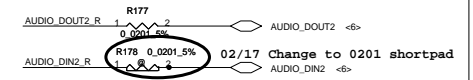
Security Classification	Compal Secret Data		Compal Electronics, Inc.	
Issued Date	2011/06/20	Deciphered Date	2012/06/20	Title
THIS SHEET OF ENGINEERING DRAWING IS THE PROPRIETARY PROPERTY OF COMPAL ELECTRONICS, INC. AND CONTAINS CONFIDENTIAL AND TRADE SECRET INFORMATION. THIS SHEET MAY NOT BE TRANSFERRED FROM THE CUSTODY OF THE COMPETENT DIVISION OF R&D DEPARTMENT EXCEPT AS AUTHORIZED BY COMPAL ELECTRONICS, INC. NEITHER THIS SHEET NOR THE INFORMATION IT CONTAINS MAY BE USED BY OR DISCLOSED TO ANY THIRD PARTY WITHOUT PRIOR WRITTEN CONSENT OF COMPAL ELECTRONICS, INC.				4019FQ
Size	C	Document Number	SCHEMATIC MB A8022	
Date:	Tuesday, July 10, 2012	Sheet	13	of 38



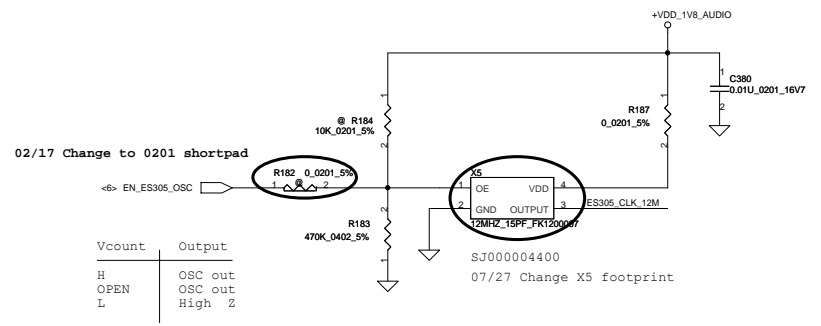
02/17 Change to 0201 shortpad



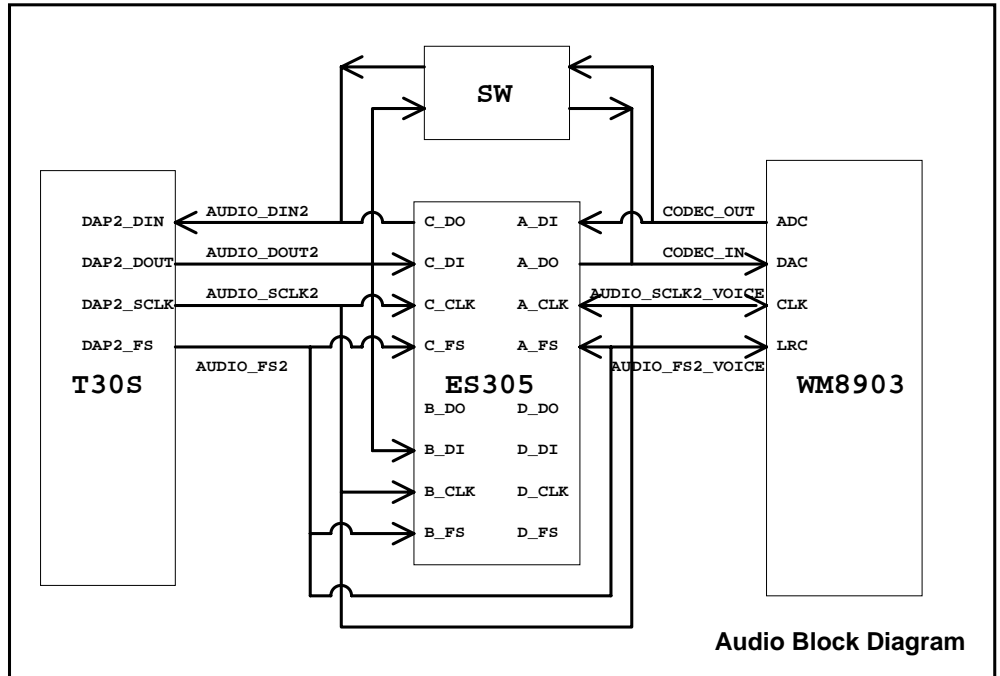
Support for input clock frequencies of 24 MHz and 26 MHz requires a 10KΩ pull-up resistor on the UART\_SOUT pin.



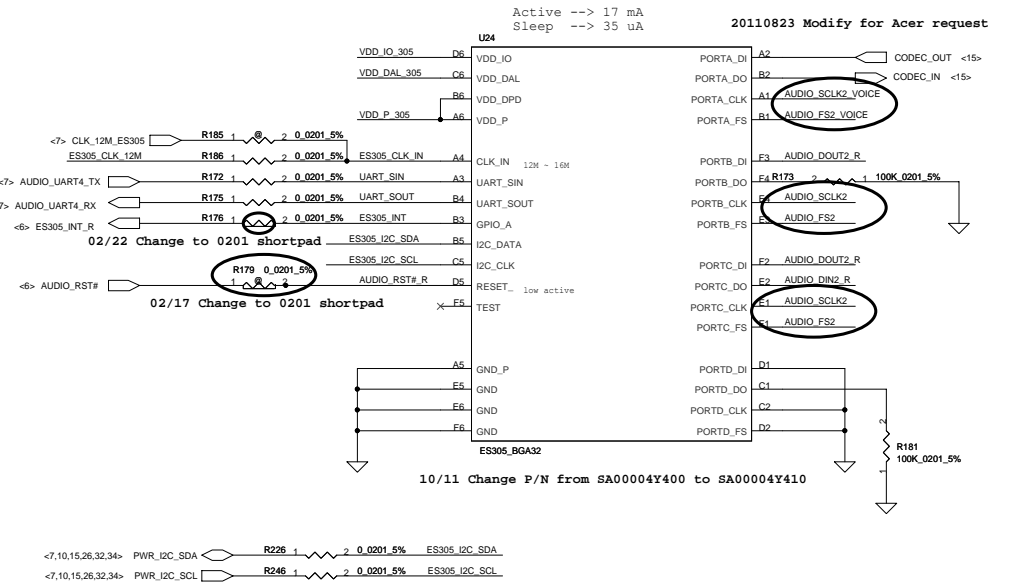
20110823 Modify for Acer request  
 AUDIO\_FS2\_VOICE connect to portA and CODEC,  
 AUDIO\_FS2 connect to portB, portC and CPU.  
 AUDIO\_SCLK2\_VOICE connect to portA and CODEC  
 AUDIO\_SCLK2 connect to portB, portC and CPU.



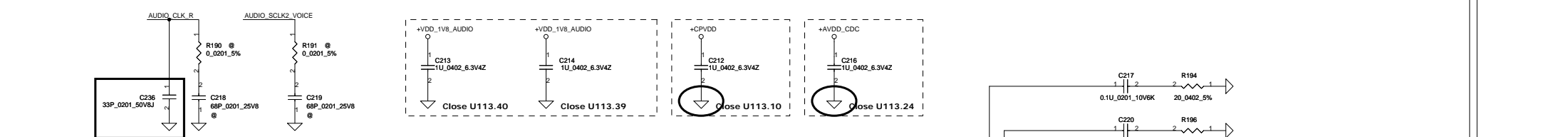
Vcount	Output
H	OSC out
OPEN	OSC out
L	High Z



Audio Block Diagram

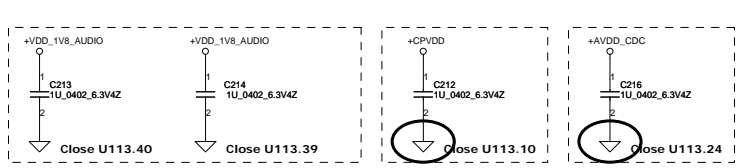


Security Classification	Compal Secret Data		Compal Electronics, Inc.	
Issued Date	2011/06/20	Deciphered Date	2012/06/20	Title
THIS SHEET OF ENGINEERING DRAWING IS THE PROPRIETARY PROPERTY OF COMPAL ELECTRONICS, INC. AND CONTAINS CONFIDENTIAL AND TRADE SECRET INFORMATION. THIS SHEET MAY NOT BE TRANSFERRED FROM THE CUSTODY OF THE COMPETENT DIVISION OF R&D DEPARTMENT EXCEPT AS AUTHORIZED BY COMPAL ELECTRONICS, INC. NEITHER THIS SHEET NOR THE INFORMATION IT CONTAINS MAY BE USED BY OR DISCLOSED TO ANY THIRD PARTY WITHOUT PRIOR WRITTEN CONSENT OF COMPAL ELECTRONICS, INC.				4019FQ
Size	C	Document Number	SCHEMATIC MB A8022	
Date:	Tuesday, July 10, 2012	Sheet	14	of 38

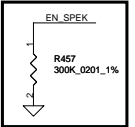


08/09 Add C236 for AUDIO\_CLK\_R

<7,10,14,26,32,34> PWR\_I2C\_SDA R256 1 2 0.0201\_5% CODEC\_I2C\_SDA  
 <7,10,14,26,32,34> PWR\_I2C\_SCL R322 1 2 0.0201\_5% CODEC\_I2C\_SCL

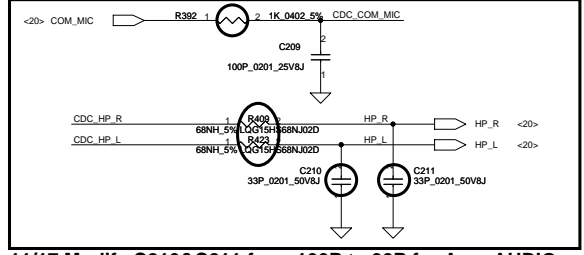


Close U113.40 Close U113.39 Close U113.10 Close U113.24

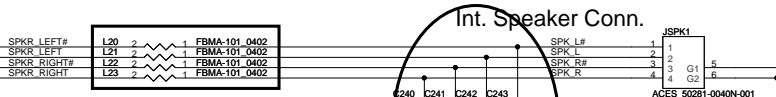
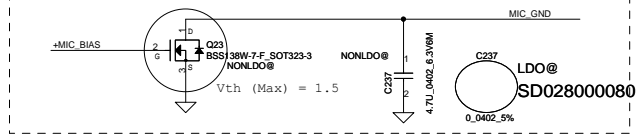


8/24 Modify Net Name for Acer request.

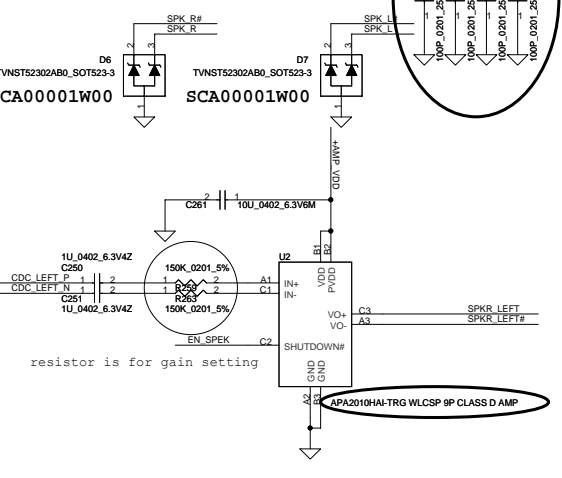
10/13 Modify R392 from 0 ohm to 1K for noise issue.



11/17 Modify C210&C211 from 100P to 33P for Acer AUDIO request.  
 12/2 Modify R409 and R423 from 0ohm to 68nH for Acer AUDIO request.

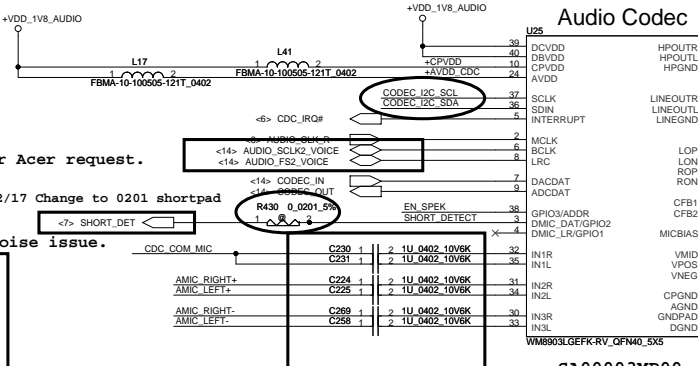


08/01 Change L20-L23 to SM01000DI00



resistor is for gain setting

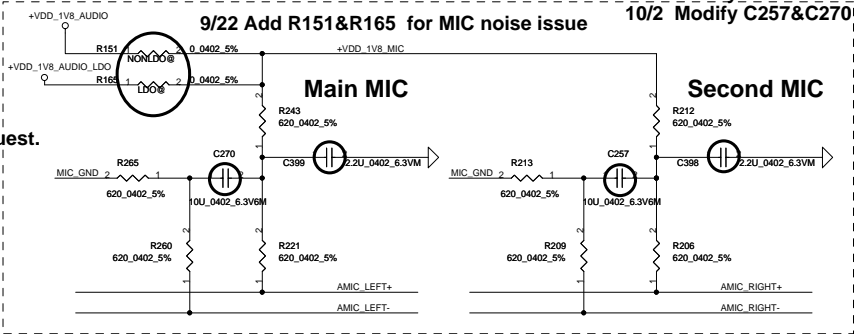
APA2010HAI-TRG WLCSP 9P CLASS D AMP



Audio Codec

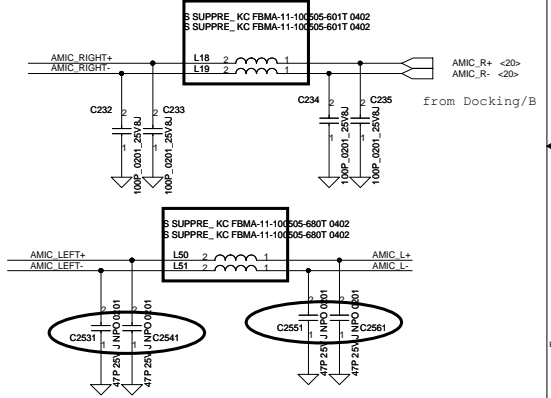
8/25 Modify Value for Acer request.

SA00003MP00

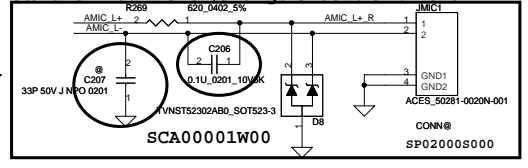


9/22 Add R151&R165 for MIC noise issue

10/2 Modify C398&C399 from 1u to 2.2u for Acer AUDIO  
 10/2 Modify C257&C270 from 1u to 10u for Acer AUDIO

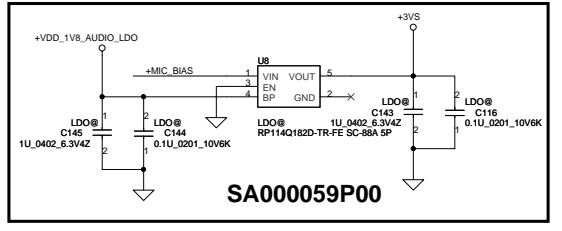


10/04 Add R269,C206 and C207 for Main MIC issue.  
 03/28 Unmount C206.Change C206 to 0.1uF 0201.



10/7 Change L51 and L50 from 60ohm to 68 ohm.  
 10/7 Change C2531,C2541,C2551 and C2561 from 100P to 47P

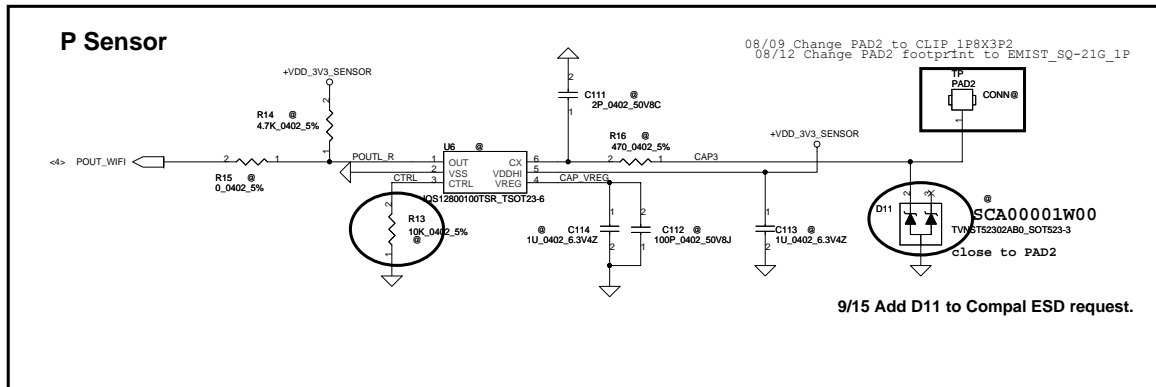
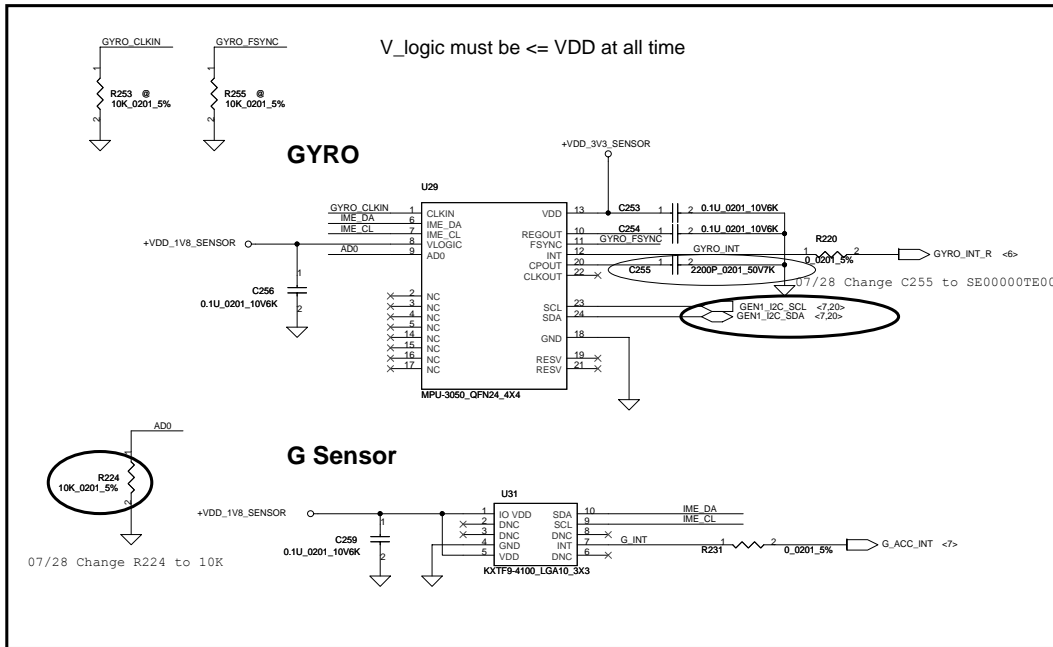
9/22 Add for MIC noise issue  
 Must change to correct symbol&footprint



SA000059P00

close to 8903 for psudo differential

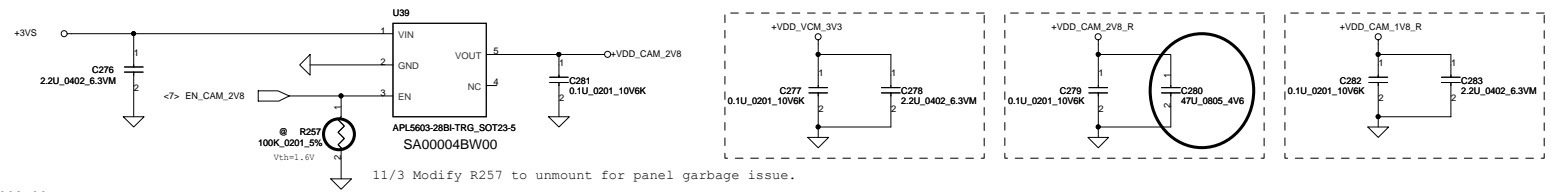
Security Classification	Compal Secret Data	Compal Electronics, Inc.	
Issued Date	2011/06/20	Deciphered Date	2012/06/20
THIS SHEET OF ENGINEERING DRAWINGS IS THE PROPRIETARY PROPERTY OF COMPAL ELECTRONICS, INC. AND CONTAINS CONFIDENTIAL AND TRADE SECRET INFORMATION. THIS SHEET MAY NOT BE TRANSFERRED FROM THE CUSTODY OF THE COMPETENT DIVISION OF RAD DEPARTMENT EXCEPT AS AUTHORIZED BY COMPAL ELECTRONICS, INC. NEITHER THIS SHEET NOR THE INFORMATION IT CONTAINS MAY BE USED BY OR DISCLOSED TO ANY THIRD PARTY WITHOUT PRIOR WRITTEN CONSENT OF COMPAL ELECTRONICS, INC.		Title	4019FQ
Size	C	Document Number	SCHEMATIC MB A8022
Date:	Tuesday, July 10, 2012	Sheet	15 of 38



10/13 Modify R14,U6,C111,R16,D11,C113,C112 and C114 from WIFI @ to @ .

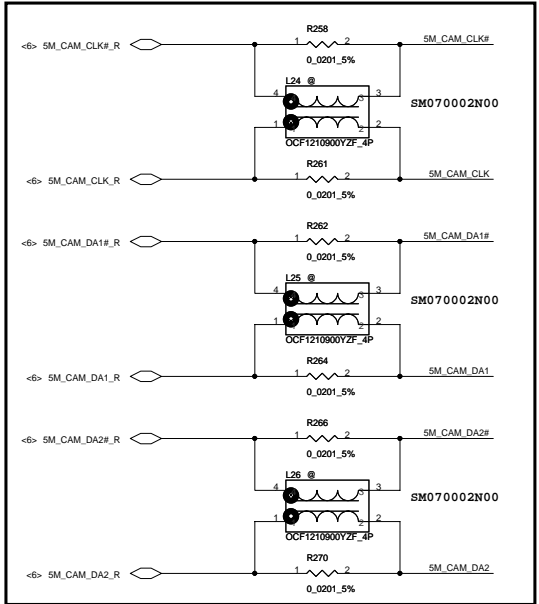
Security Classification	Compal Secret Data		Compal Electronics, Inc.	
Issued Date	2011/06/20	Deciphered Date	2012/06/20	Title
THIS SHEET OF ENGINEERING DRAWING IS THE PROPRIETARY PROPERTY OF COMPAL ELECTRONICS, INC. AND CONTAINS CONFIDENTIAL AND TRADE SECRET INFORMATION. THIS SHEET MAY NOT BE TRANSFERRED FROM THE CUSTODY OF THE COMPETENT DIVISION OF R&D DEPARTMENT EXCEPT AS AUTHORIZED BY COMPAL ELECTRONICS, INC. NEITHER THIS SHEET NOR THE INFORMATION IT CONTAINS MAY BE USED BY OR DISCLOSED TO ANY THIRD PARTY WITHOUT PRIOR WRITTEN CONSENT OF COMPAL ELECTRONICS, INC.				4019FQ
Size	Document Number	SCHEMATIC MB A8022		Rev
C				B
Date:	Tuesday, July 10, 2012	Sheet	16	of 38



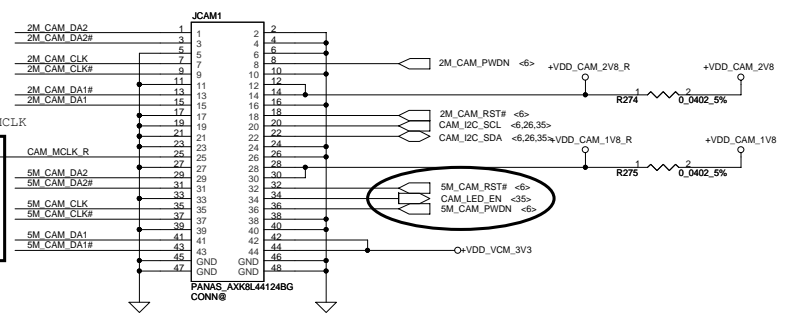
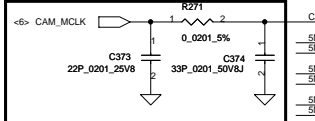


10/17 Change L24-L28, L34 to 0 ohm  
 08/05 Change L24-L28, L34 to mount  
 08/05 Change L24-L28, L34 to SM070002N00

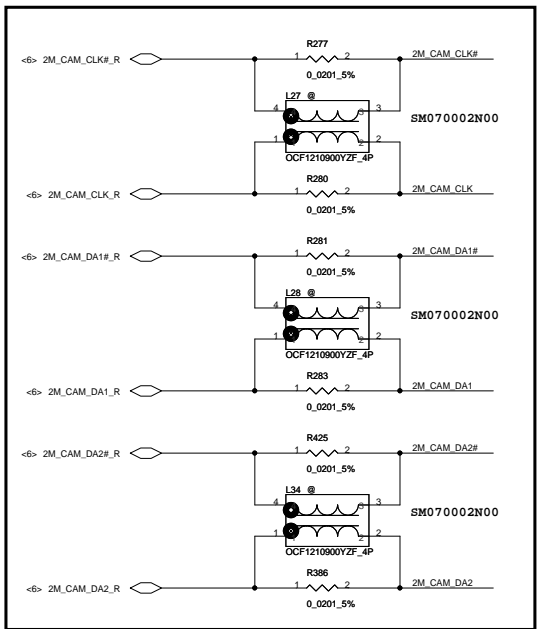
11/3 Modify R257 to unmount for panel garbage issue.



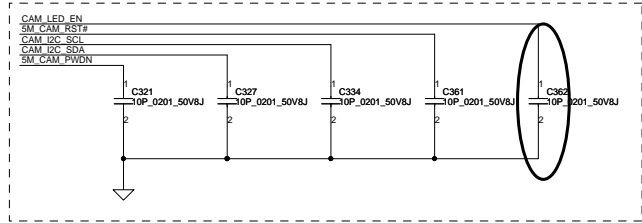
08/09 Add C373, C374, R271 for CAM\_MCLK



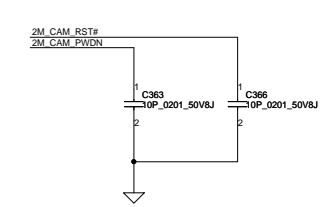
LTCX003I300  
**Camera Board**



reference Acer schematic

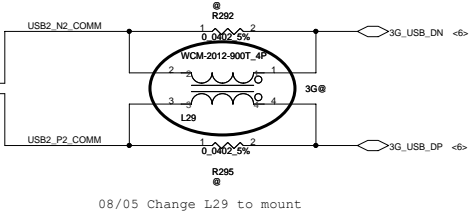
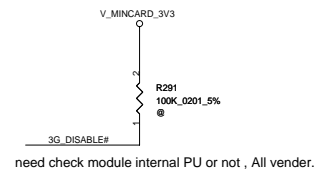
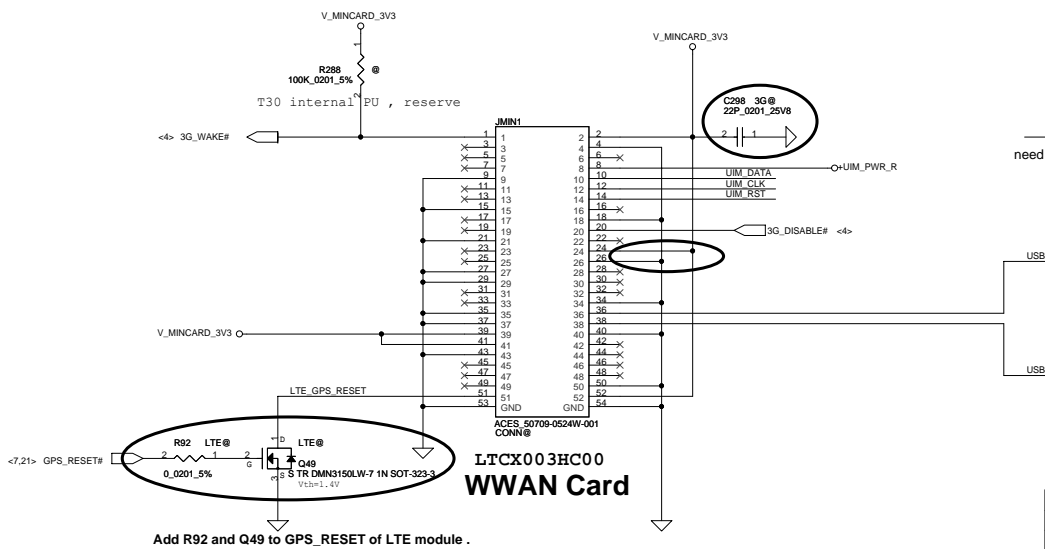
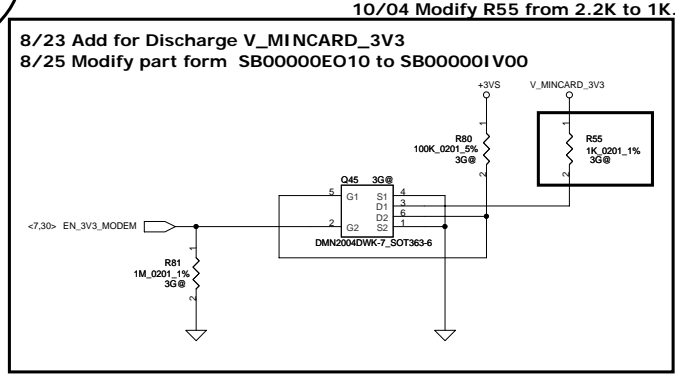
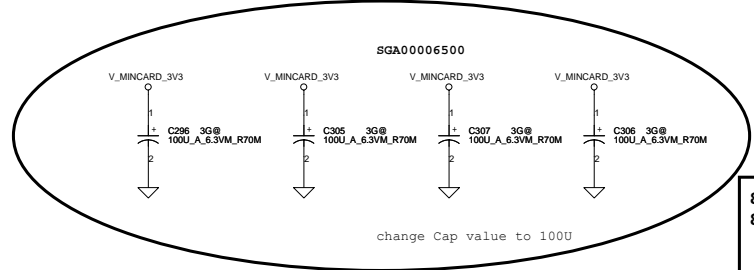
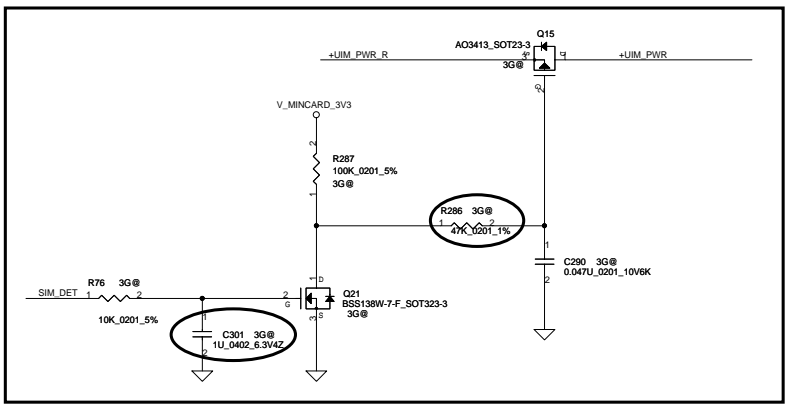
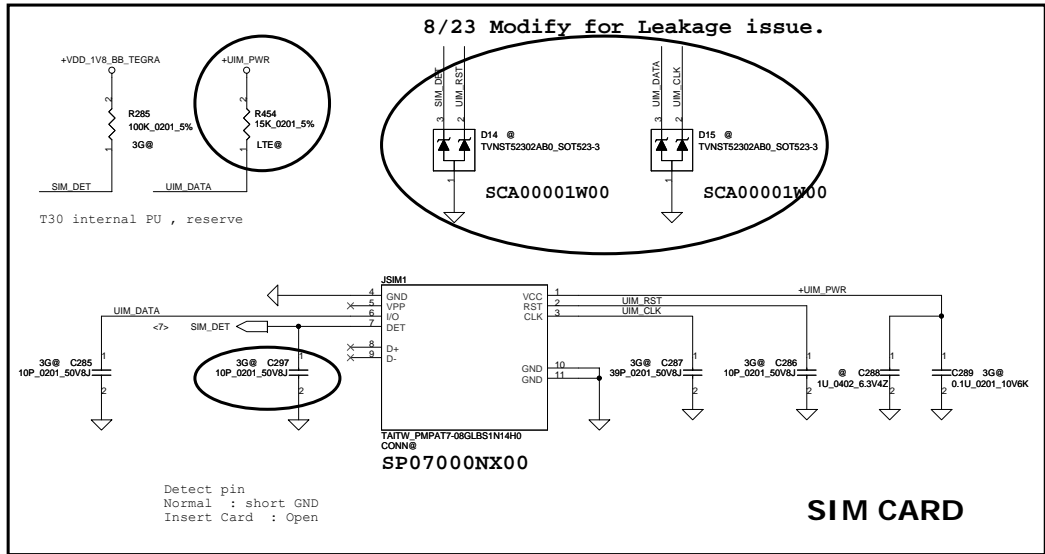


reference Acer schematic



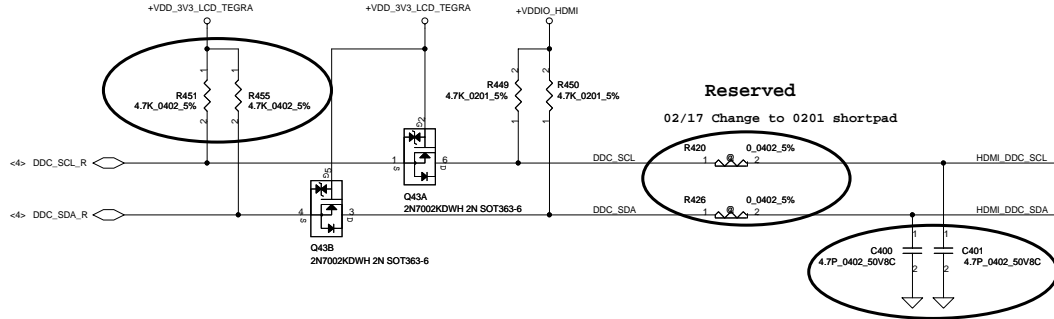
Security Classification	Compal Secret Data		Compal Electronics, Inc.	
Issued Date	2011/06/20	Deciphered Date	2012/06/20	Title
THIS SHEET OF ENGINEERING DRAWING IS THE PROPRIETARY PROPERTY OF COMPAL ELECTRONICS, INC. AND CONTAINS CONFIDENTIAL AND TRADE SECRET INFORMATION. THIS SHEET MAY NOT BE TRANSFERRED FROM THE CUSTODY OF THE COMPETENT DIVISION OF R&D DEPARTMENT EXCEPT AS AUTHORIZED BY COMPAL ELECTRONICS, INC. NEITHER THIS SHEET NOR THE INFORMATION IT CONTAINS MAY BE USED BY OR DISCLOSED TO ANY THIRD PARTY WITHOUT PRIOR WRITTEN CONSENT OF COMPAL ELECTRONICS, INC.				4019FQ
Size	C	Document Number	SCHEMATIC MB A8022	
Date:	Tuesday, July 10, 2012	Sheet	17	of 38

12/16 Modify R454 from 3G@ to LTE@ to meet SPEC.



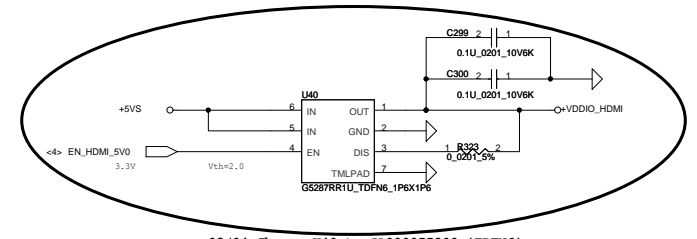
Security Classification	Compal Secret Data		Compal Electronics, Inc.	
Issued Date	2011/06/20	Deciphered Date	2012/06/20	Title
THIS SHEET OF ENGINEERING DRAWING IS THE PROPRIETARY PROPERTY OF COMPAL ELECTRONICS, INC. AND CONTAINS CONFIDENTIAL AND TRADE SECRET INFORMATION. THIS SHEET MAY NOT BE TRANSFERRED FROM THE CUSTODY OF THE COMPETENT DIVISION OF R&D DEPARTMENT EXCEPT AS AUTHORIZED BY COMPAL ELECTRONICS, INC. NEITHER THIS SHEET NOR THE INFORMATION IT CONTAINS MAY BE USED BY OR DISCLOSED TO ANY THIRD PARTY WITHOUT PRIOR WRITTEN CONSENT OF COMPAL ELECTRONICS, INC.				4019FQ
Size	C	Document Number	SCHEMATIC MB A8022	Rev
Date:	Tuesday, July 10, 2012	Sheet	18	of 38

8/25 Modify R451&R455 from 47K 1% to 4.7K 5%



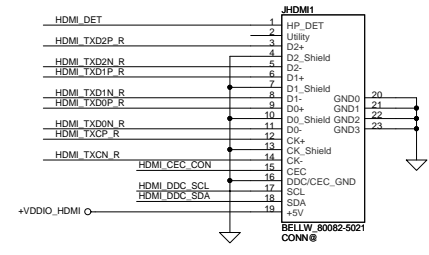
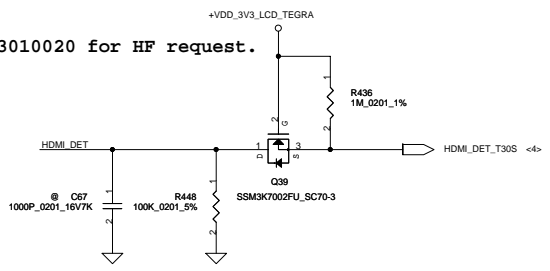
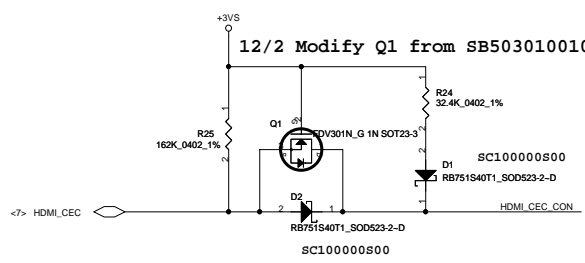
Reserved  
02/17 Change to 0201 shortpad

07/28 Change C400,C401 to SE07147AC80



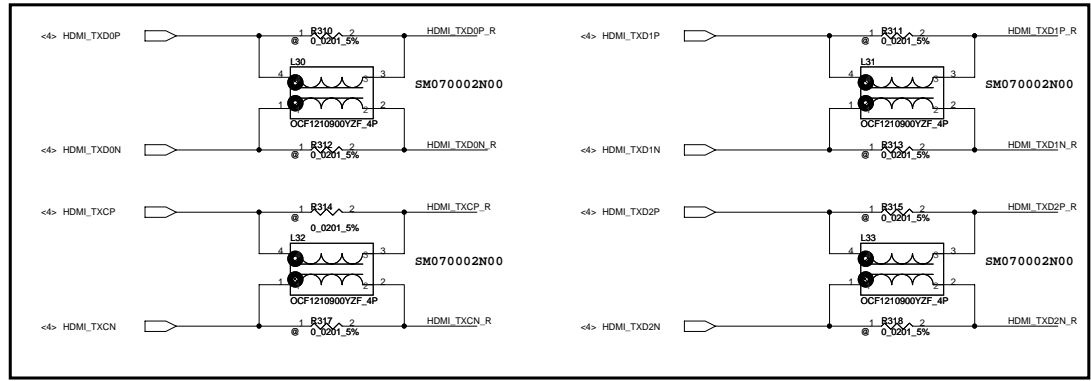
08/04 Change U40 to SA000055200 (TDFN6)

12/2 Modify Q1 from SB503010010 to SB503010020 for HF request.



DC232001M10  
HDMI Type D Connector

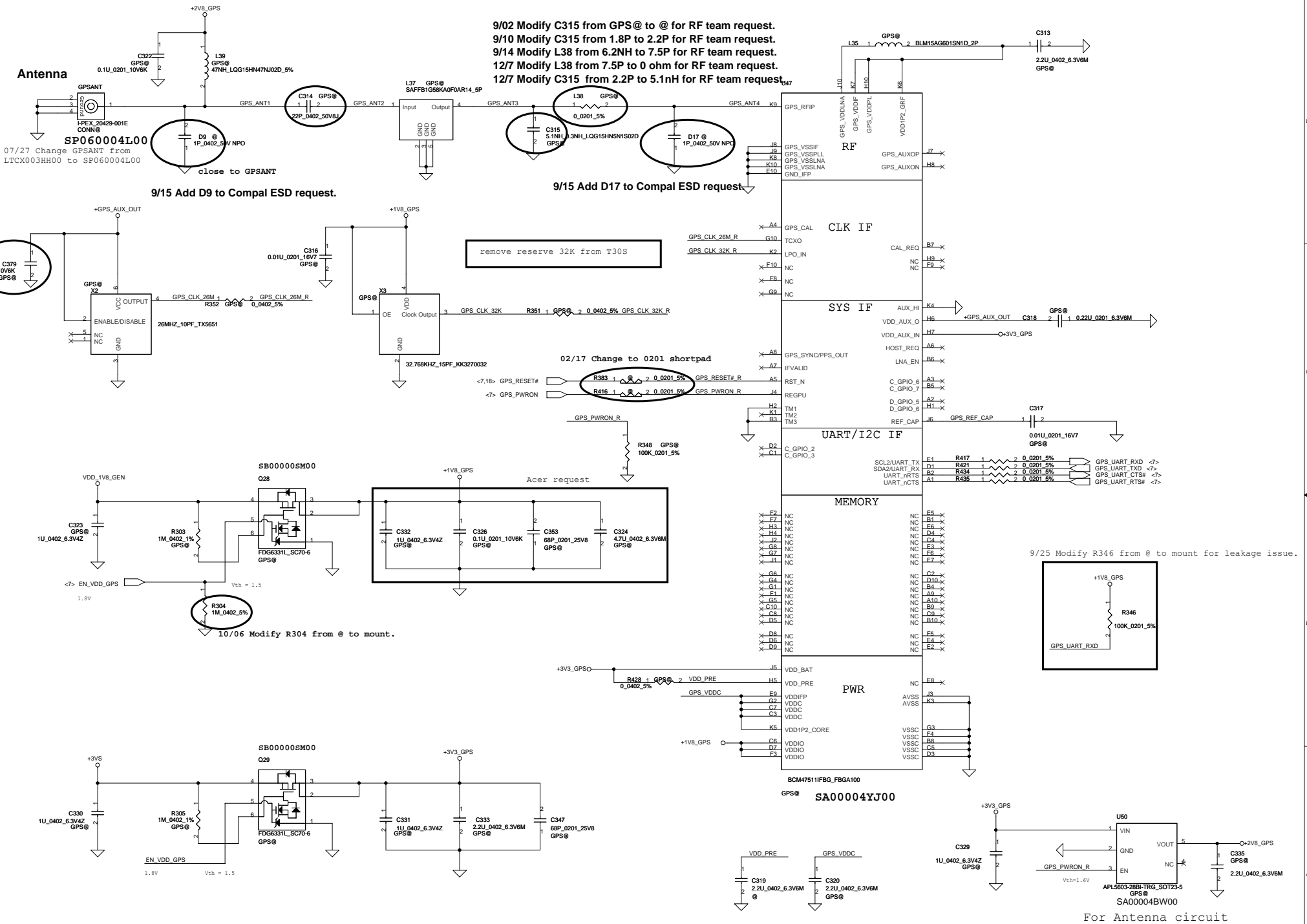
08/05 Change L30-L33 to SM070002N00



Security Classification	Compal Secret Data		Title	
Issued Date	2011/06/20	Deciphered Date	2012/06/20	4019FQ
THIS SHEET OF ENGINEERING DRAWING IS THE PROPRIETARY PROPERTY OF COMPAL ELECTRONICS, INC. AND CONTAINS CONFIDENTIAL AND TRADE SECRET INFORMATION. THIS SHEET MAY NOT BE TRANSFERRED FROM THE CUSTODY OF THE COMPETENT DIVISION OF R&D DEPARTMENT EXCEPT AS AUTHORIZED BY COMPAL ELECTRONICS, INC. NEITHER THIS SHEET NOR THE INFORMATION IT CONTAINS MAY BE USED BY OR DISCLOSED TO ANY THIRD PARTY WITHOUT PRIOR WRITTEN CONSENT OF COMPAL ELECTRONICS, INC.				Rev B
Size C	Document Number	Date: Tuesday, July 10, 2012		Sheet 19 of 38
				<b>SCHEMATIC MB A8022</b>

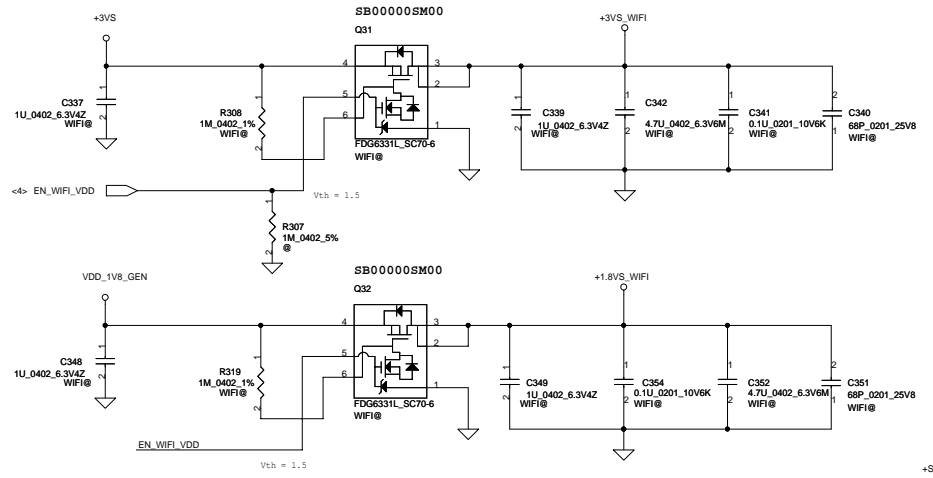


9/02 Modify C315 from GPS@ to @ for team request.  
 9/10 Modify C315 from 1.8P to 2.2P for RF team request.  
 9/14 Modify L38 from 6.2NH to 7.5P for RF team request.  
 12/7 Modify L38 from 7.5P to 0 ohm for RF team request.  
 12/7 Modify C315 from 2.2P to 5.1nH for RF team request.

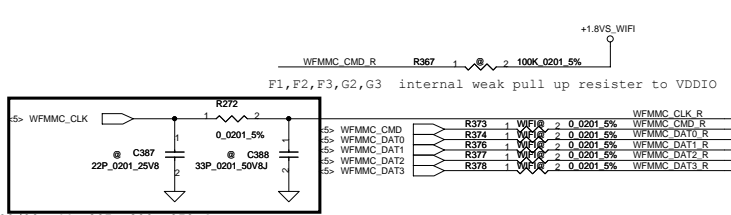
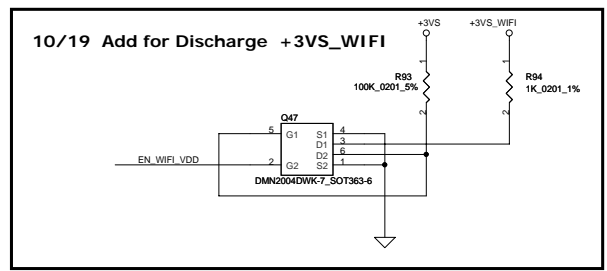
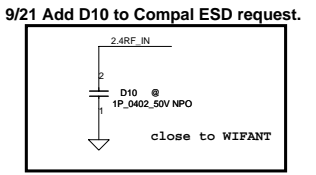
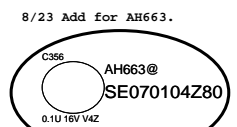
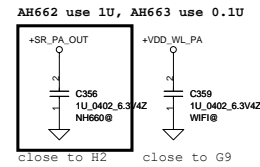
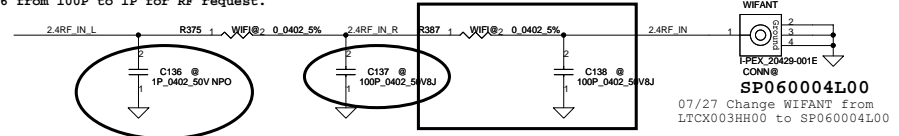


**GPS POWER SOURCE**

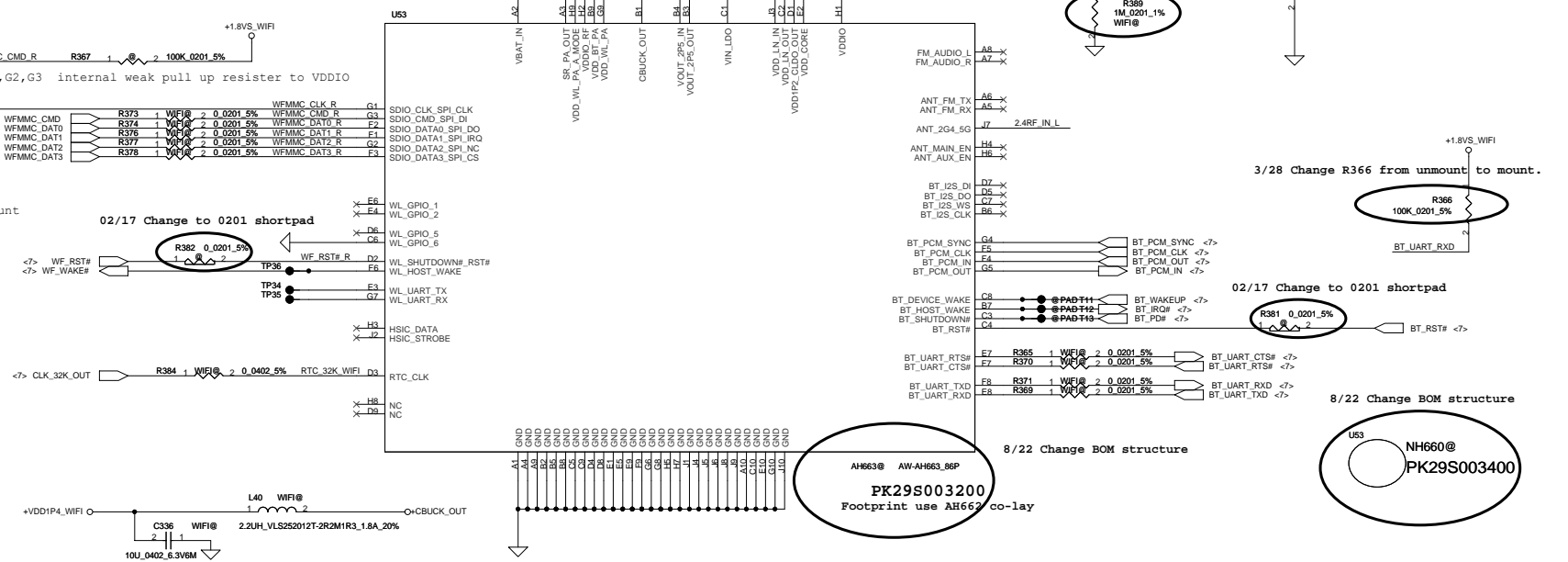
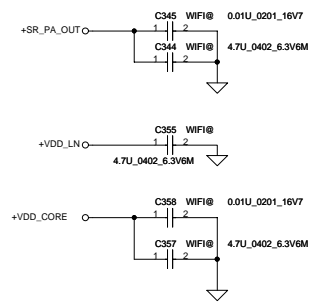
Security Classification	Compal Secret Data		Compal Electronics, Inc.	
Issued Date	2011/06/20	Deciphered Date	2012/06/20	Title
THIS SHEET OF ENGINEERING DRAWINGS IS THE PROPRIETARY PROPERTY OF COMPAL ELECTRONICS, INC. AND CONTAINS CONFIDENTIAL AND TRADE SECRET INFORMATION. THIS SHEET MAY NOT BE TRANSFERRED FROM THE CUSTODY OF THE COMPETENT DIVISION OF RAD DEPARTMENT EXCEPT AS AUTHORIZED BY COMPAL ELECTRONICS, INC. NEITHER THIS SHEET NOR THE INFORMATION IT CONTAINS MAY BE USED BY OR DISCLOSED TO ANY THIRD PARTY WITHOUT PRIOR WRITTEN CONSENT OF COMPAL ELECTRONICS, INC.				4019FQ
Size	Document Number	SCHEMATIC MB A8022		Rev
C				B
Date:	Tuesday, July 10, 2012	Sheet	21	of 38



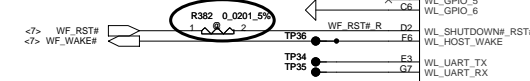
9/10 Modify C136 from 100P to 1P for RF request.  
 dual-Band wifi RF matching , Reserve " 2 Pi " filter



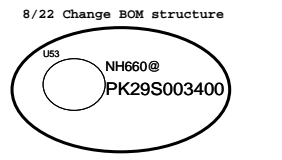
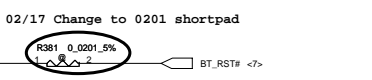
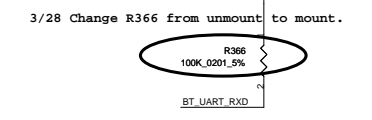
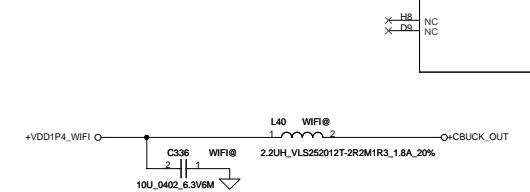
08/09 Add C387,C388,R272 for WFMCM\_CLK  
 08/25 Modify C387&C388 from mount to unmount



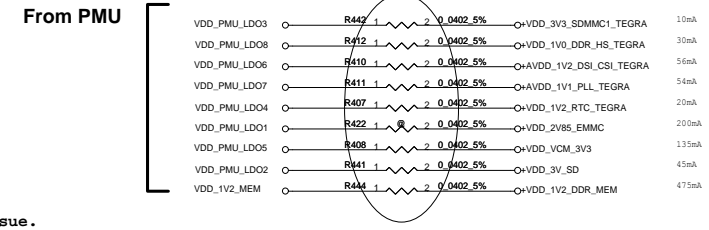
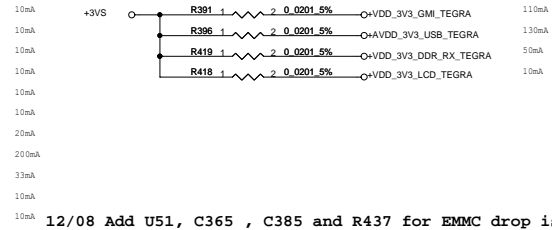
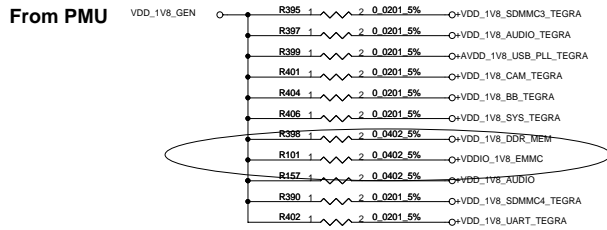
02/17 Change to 0201 shortpad



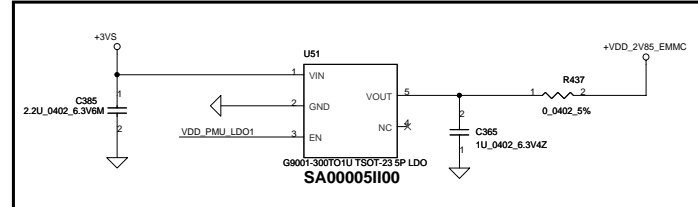
8/22 Change BOM structure



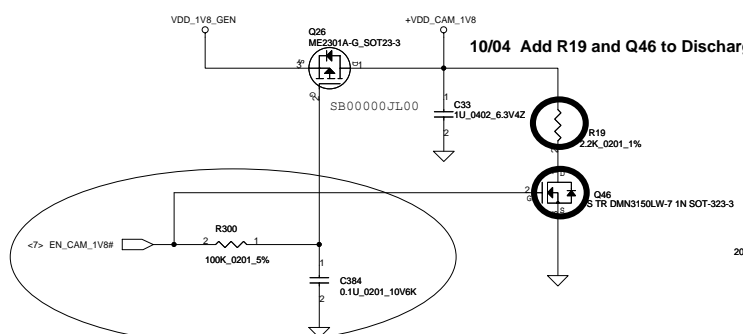
Security Classification	Compal Secret Data		Title	
Issued Date	2011/06/20	Deciphered Date	2012/06/20	4019FQ
THIS SHEET OF ENGINEERING DRAWING IS THE PROPRIETARY PROPERTY OF COMPAL ELECTRONICS, INC. AND CONTAINS CONFIDENTIAL AND TRADE SECRET INFORMATION. THIS SHEET MAY NOT BE TRANSFERRED FROM THE CUSTODY OF THE COMPETENT DIVISION OF R&D DEPARTMENT EXCEPT AS AUTHORIZED BY COMPAL ELECTRONICS, INC. NEITHER THIS SHEET NOR THE INFORMATION IT CONTAINS MAY BE USED BY OR DISCLOSED TO ANY THIRD PARTY WITHOUT PRIOR WRITTEN CONSENT OF COMPAL ELECTRONICS, INC.				
Size	Document Number	SHEET		Rev
C	MB A8022	22		B
Date:	Tuesday, July 10, 2012	Sheet	22	of 38



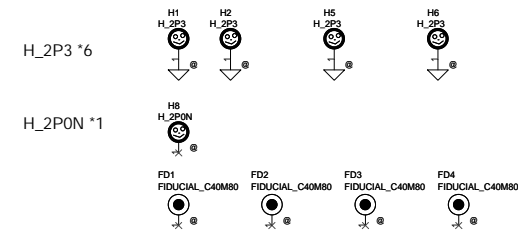
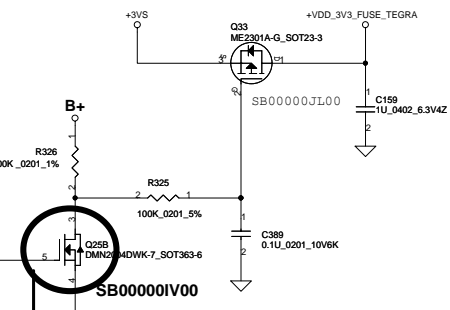
12/08 Add U51, C365 , C385 and R437 for EMMC drop issue.  
 12/16 Modify U51, C365 , C385 and R437 from @ to mount.  
**Must change to correct symbol&footprint**



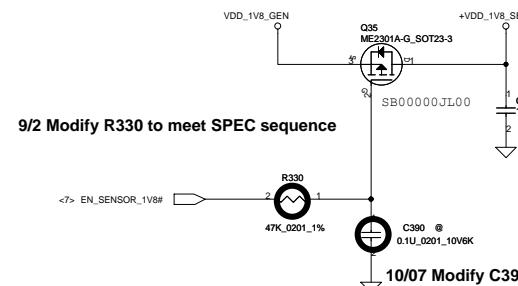
**Q26 close to Camera Conn.**



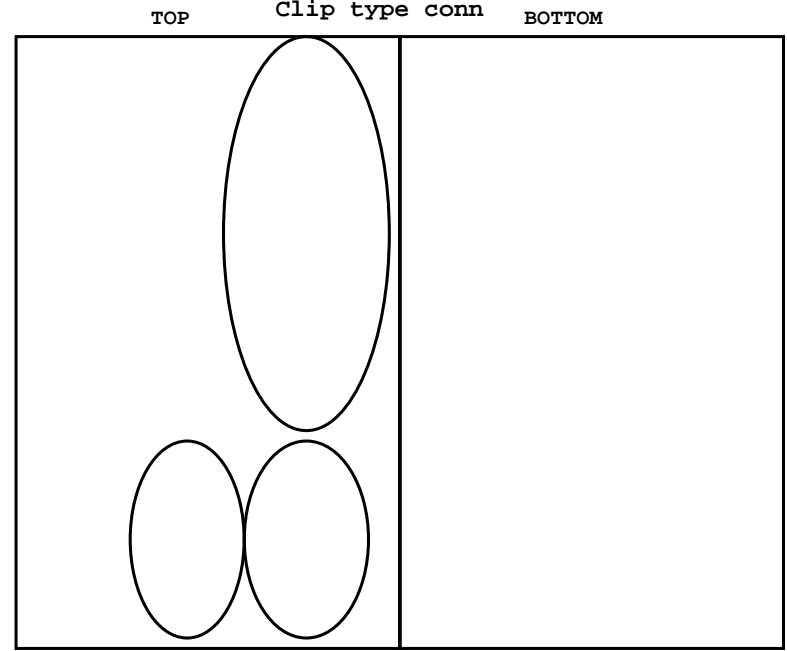
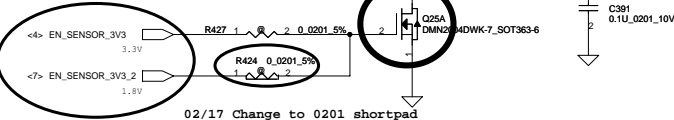
**Q33 close to T30S**



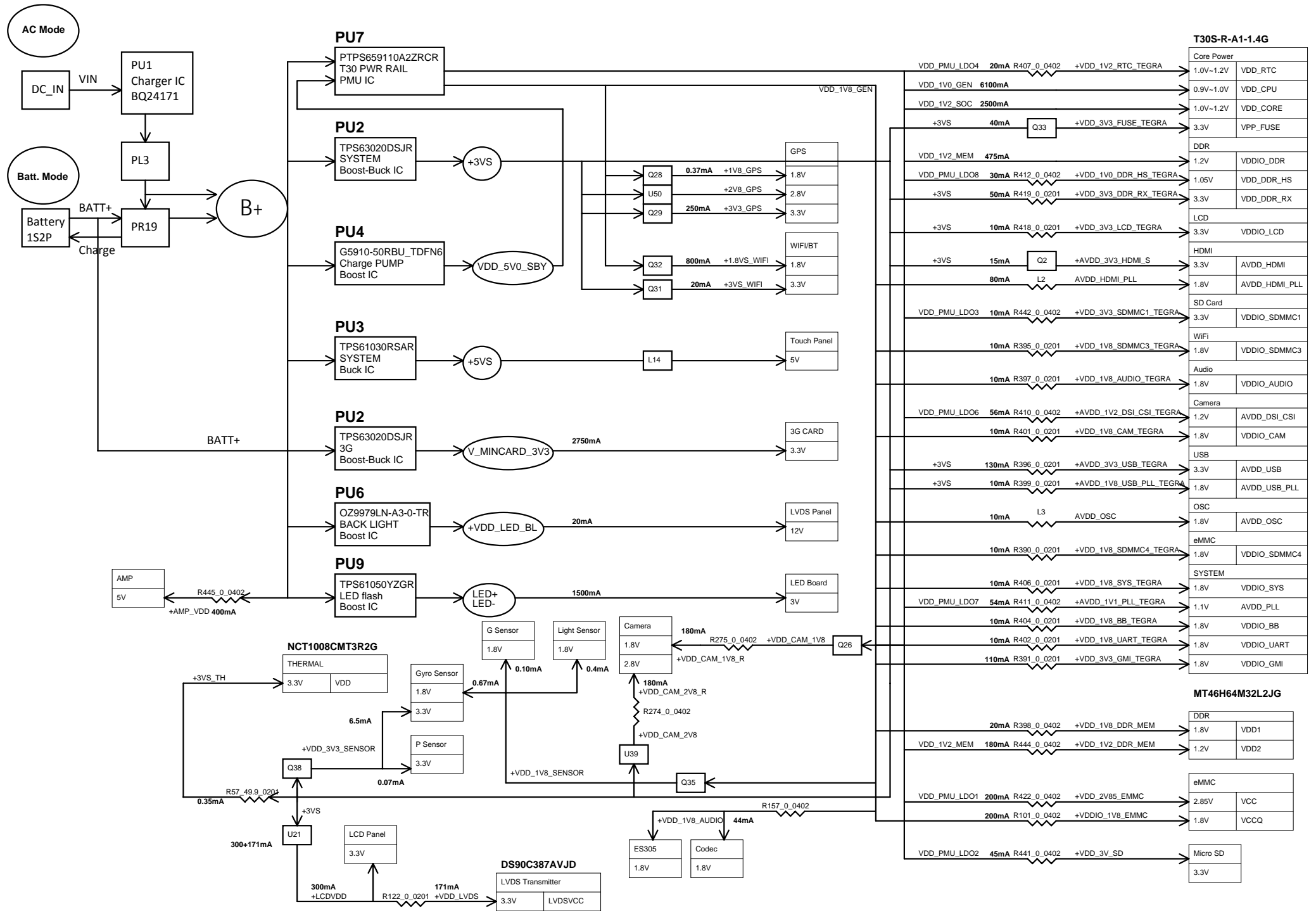
12/19 Del all CLIP for ME request.  
 9/2 Add CLP22~CLP27  
 9/2 Add CLP28,CLP29  
 11/8 Del CLP22~CLP27 for ME request  
**Clip type conn**



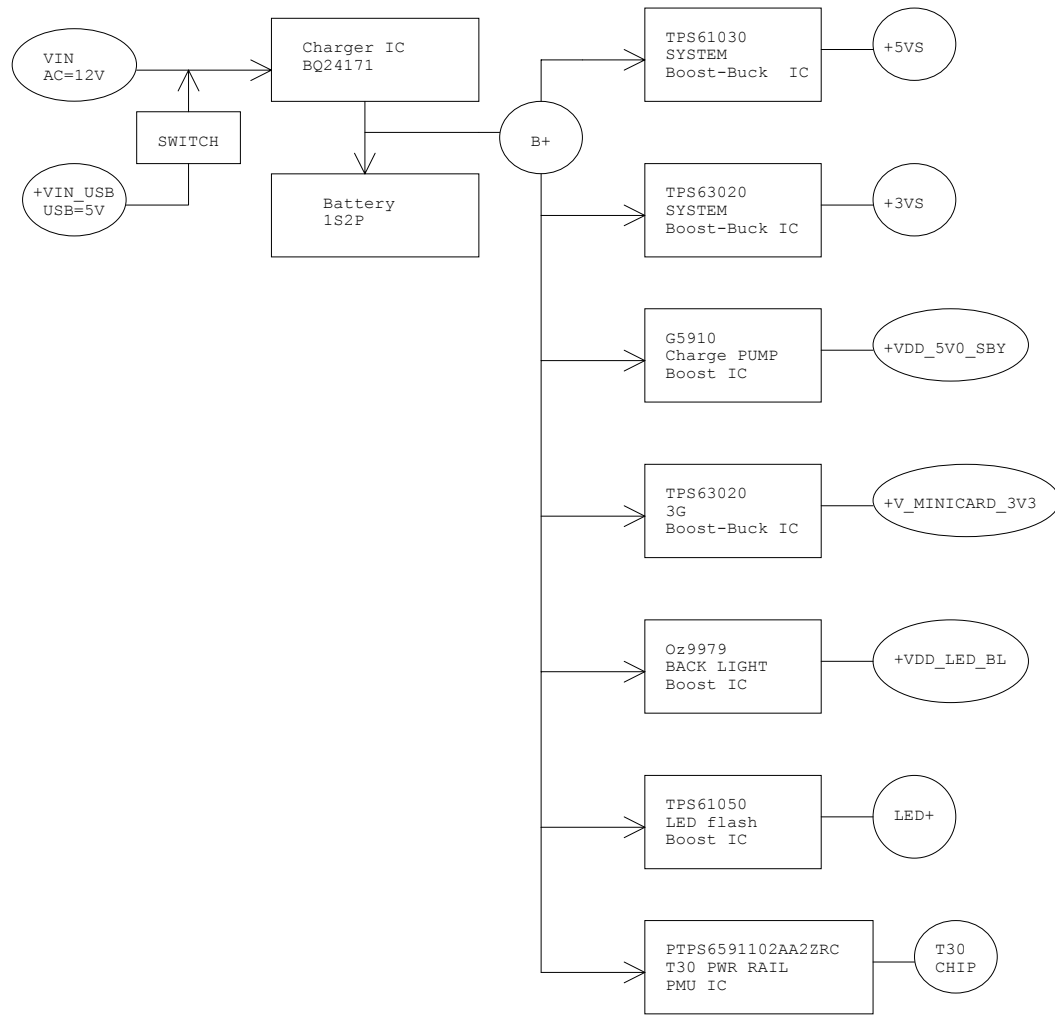
9/27 Add EN\_SENSOR\_3V3\_2 from U1.AA3  
 9/29 Modify R424 from unmout to mount  
 9/29 Modify R427 from mout to unmount



Security Classification	Compal Secret Data		Compal Electronics, Inc.	
Issued Date	2011/06/20	Deciphered Date	2012/06/20	Title
THIS SHEET OF ENGINEERING DRAWING IS THE PROPRIETARY PROPERTY OF COMPAL ELECTRONICS, INC. AND CONTAINS CONFIDENTIAL AND TRADE SECRET INFORMATION. THIS SHEET MAY NOT BE TRANSFERRED FROM THE CUSTODY OF THE COMPETENT DIVISION OF R&D DEPARTMENT EXCEPT AS AUTHORIZED BY COMPAL ELECTRONICS, INC. NEITHER THIS SHEET NOR THE INFORMATION IT CONTAINS MAY BE USED BY OR DISCLOSED TO ANY THIRD PARTY WITHOUT PRIOR WRITTEN CONSENT OF COMPAL ELECTRONICS, INC.				4019FQ
Size	C	Document Number	SCHEMATIC MB A8022	
Date:	Tuesday, July 10, 2012	Sheet	23	of 38

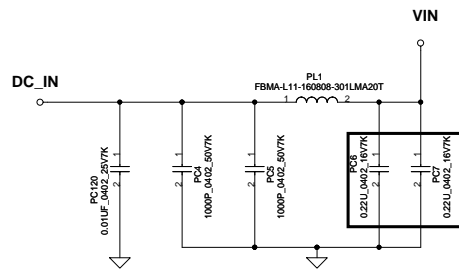
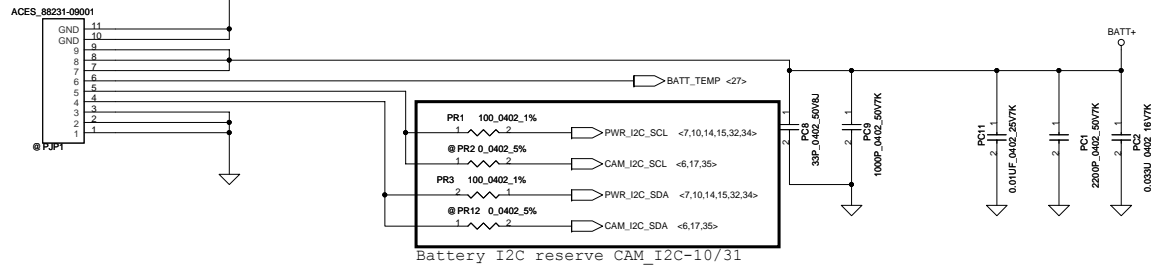






Security Classification		Compal Secret Data		Compal Electronics, Inc.	
Issued Date	2011/06/20	Deciphered Date	2012/06/20	Title	4019FQ
THIS SHEET OF ENGINEERING DRAWING IS THE PROPRIETARY PROPERTY OF COMPAL ELECTRONICS, INC. AND CONTAINS CONFIDENTIAL AND TRADE SECRET INFORMATION. THIS SHEET MAY NOT BE TRANSFERRED FROM THE CUSTODY OF THE COMPETENT DIVISION OF R&D DEPARTMENT EXCEPT AS AUTHORIZED BY COMPAL ELECTRONICS, INC. NEITHER THIS SHEET NOR THE INFORMATION IT CONTAINS MAY BE USED BY OR DISCLOSED TO ANY THIRD PARTY WITHOUT PRIOR WRITTEN CONSENT OF COMPAL ELECTRONICS, INC.				Size	Document Number
				C	SCHEMATIC MB A8022
				Date:	Tuesday, July 10, 2012
				Sheet	25 of 38

SP02000V310

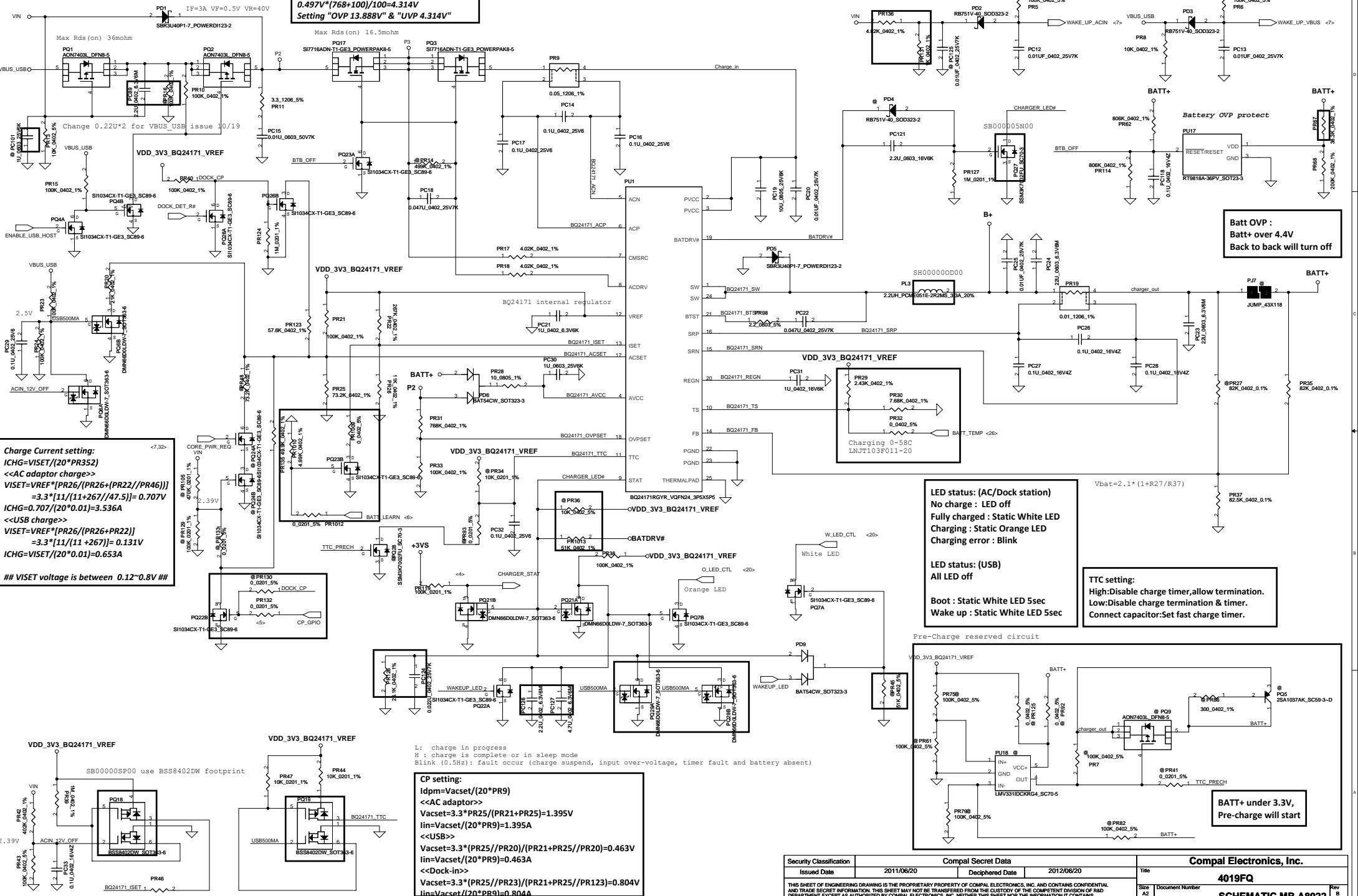


Security Classification	Compal Secret Data		Compal Electronics, Inc.	
Issued Date	2011/06/20	Deciphered Date	2012/06/20	Title
THIS SHEET OF ENGINEERING DRAWING IS THE PROPRIETARY PROPERTY OF COMPAL ELECTRONICS, INC. AND CONTAINS CONFIDENTIAL AND TRADE SECRET INFORMATION. THIS SHEET MAY NOT BE TRANSFERRED FROM THE CUSTODY OF THE COMPETENT DIVISION OF RAD DEPARTMENT EXCEPT AS AUTHORIZED BY COMPAL ELECTRONICS, INC. NEITHER THIS SHEET NOR THE INFORMATION IT CONTAINS MAY BE USED BY OR DISCLOSED TO ANY THIRD PARTY WITHOUT PRIOR WRITTEN CONSENT OF COMPAL ELECTRONICS, INC.				4019FQ
Size	C	Document Number	SCHMATIC MB A8022	Rev
Date:	Tuesday, July 10, 2012	Sheet	26	of 38

# CHARGER BQ24171

**OVP UVP Range setting:**  
**##OVPSET voltage is between 0.497~1.6V ##**  
 $1.6V * (768+100) / 100 = 13.888V$   
 $0.497V * (768+100) / 100 = 4.314V$   
**Setting "OVP 13.888V" & "UVP 4.314V"**

AC Insert or remove --> Wake up T30S  
 USB Insert or remove --> Wake up T30S  
 SW to check if Acer USB --> Change charge current to 1A



**Charge Current setting:**  
 $ICHG = VISET / (20 * PR352)$   
 <<AC adaptor charge>>  
 $VISET = VREF * [PR26 / (PR26 + (PR22 / PR46))]$   
 $= 3.3 * [11 / (11 + 267) / 47.5] = 0.707V$   
 $ICHG = 0.707 / (20 * 0.01) = 3.536A$   
 <<USB charge>>  
 $VISET = VREF * [PR26 / (PR26 + PR22)]$   
 $= 3.3 * [11 / (11 + 267)] = 0.131V$   
 $ICHG = VISET / (20 * 0.01) = 0.653A$   
**## VISET voltage is between 0.12~0.8V ##**

**Batt OVP :**  
 Batt+ over 4.4V  
 Back to back will turn off

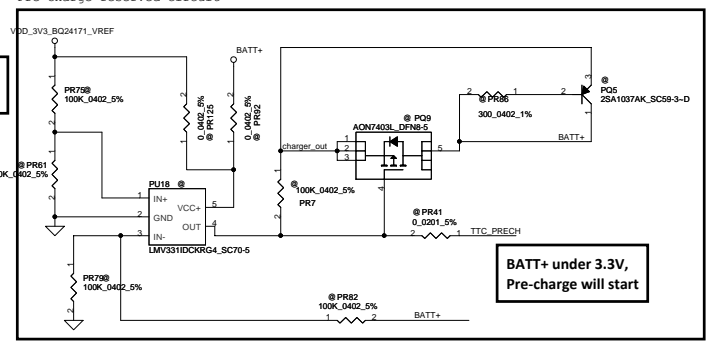
**LED status: (AC/Dock station)**  
 No charge : LED off  
 Fully charged : Static White LED  
 Charging : Static Orange LED  
 Charging error : Blink

**LED status: (USB)**  
 All LED off  
 Boot : Static White LED 5sec  
 Wake up : Static White LED 5sec

**TTC setting:**  
 High: Disable charge timer, allow termination.  
 Low: Disable charge termination & timer.  
 Connect capacitor: Set fast charge timer.

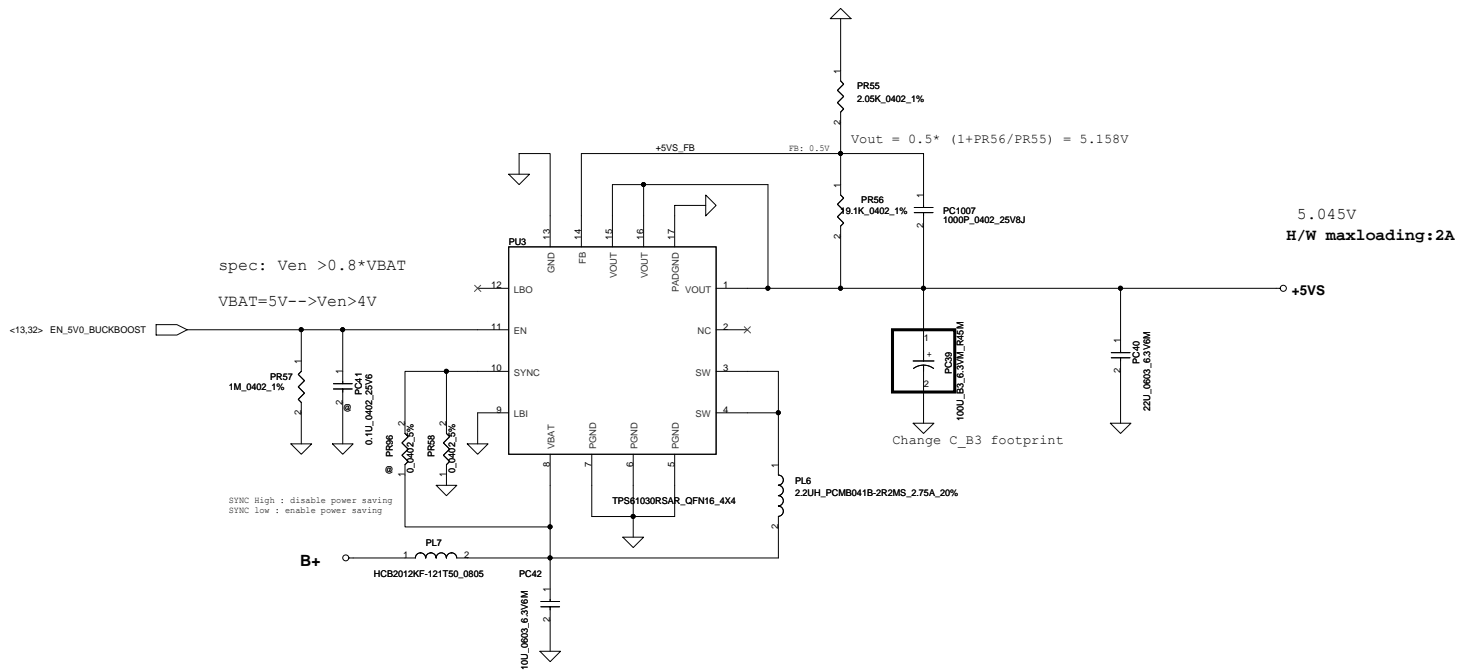
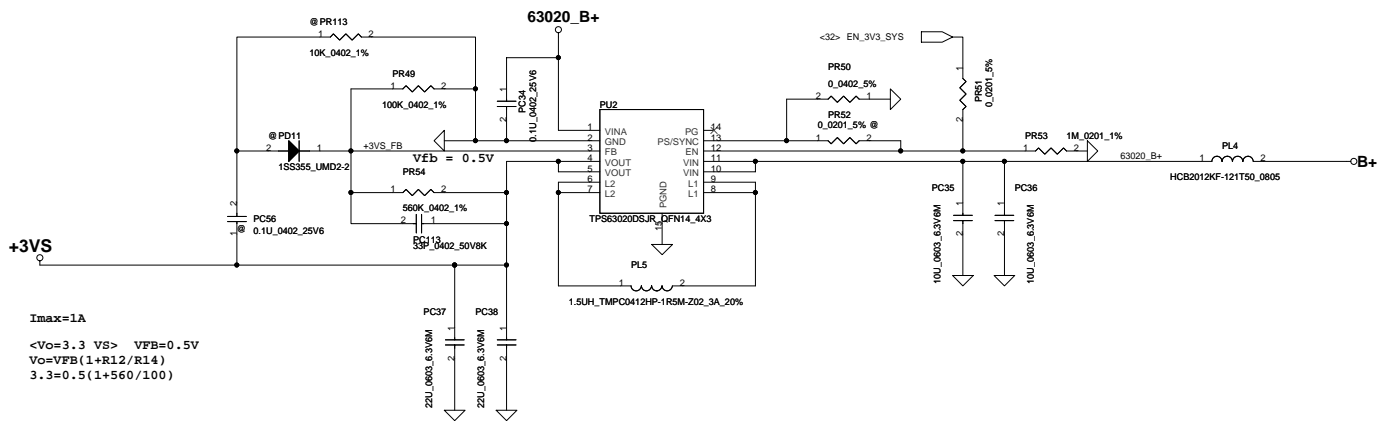
! : charge in progress  
 # : charge is complete or in sleep mode  
 Blink (0.5Hz): fault occur (charge suspend, input over-voltage, timer fault and battery absent)

**CP setting:**  
 $I_{dpm} = Vacset / (20 * PR9)$   
 <<AC adaptor>>  
 $Vacset = 3.3 * PR25 / (PR21 + PR25) = 1.395V$   
 $I_{in} = Vacset / (20 * PR9) = 1.395A$   
 <<USB>>  
 $Vacset = 3.3 * PR25 / PR20 / (PR21 + PR25 / PR20) = 0.463V$   
 $I_{in} = Vacset / (20 * PR9) = 0.463A$   
 <<Dock-in>>  
 $Vacset = 3.3 * (PR25 / PR23) / (PR21 + PR25 / PR123) = 0.804V$   
 $I_{in} = Vacset / (20 * PR9) = 0.804A$

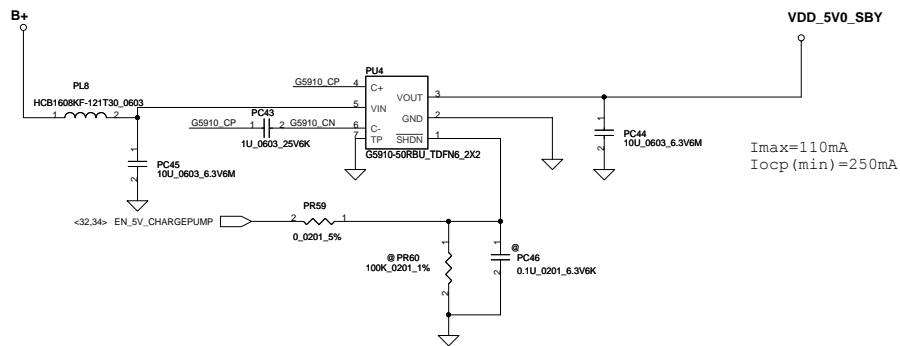


**BATT+ under 3.3V,**  
 Pre-charge will start

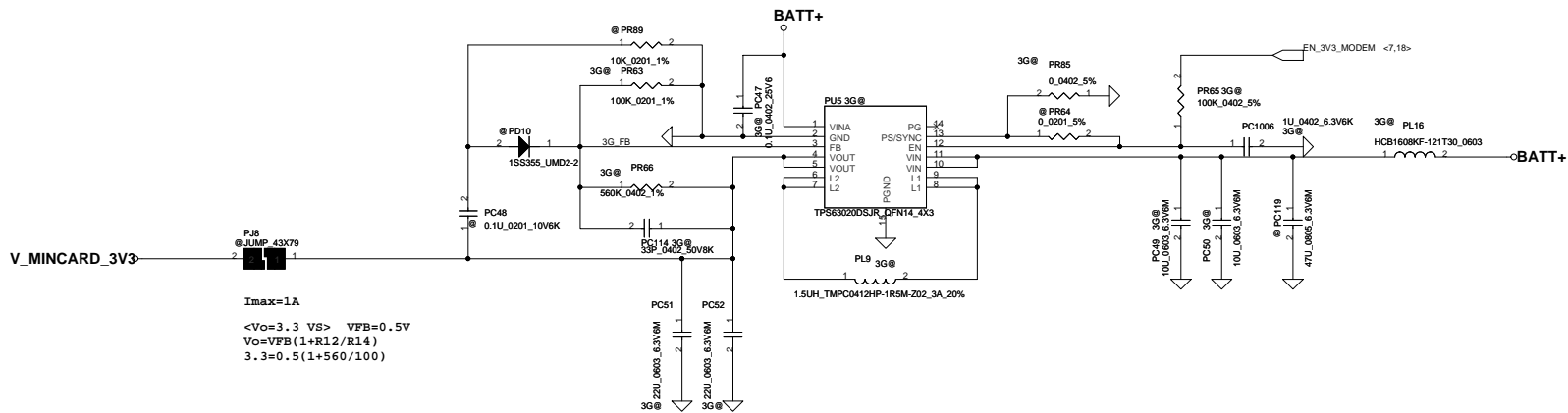
Security Classification	Compal Secret Data	Compal Electronics, Inc.
Issued Date	2011/06/20	Deciphered Date
Deciphered Date	2012/06/20	Issued Date
THIS SHEET OF ENGINEERING DRAWING IS THE PROPRIETARY PROPERTY OF COMPAL ELECTRONICS, INC. AND CONTAINS CONFIDENTIAL AND TRADE SECRET INFORMATION. THIS SHEET MAY NOT BE TRANSFERRED FROM THE CUSTODY OF THE COMPETENT DIVISION OF R&D DEPARTMENT EXCEPT AS AUTHORIZED BY COMPAL ELECTRONICS, INC. NEITHER THIS SHEET NOR THE INFORMATION IT CONTAINS MAY BE USED BY OR DISCLOSED TO ANY THIRD PARTY WITHOUT PRIOR WRITTEN CONSENT OF COMPAL ELECTRONICS, INC.		
File No.	4019FQ	Rev
Doc No.	SCHEMATIC MB A8022	9
Date	Tuesday, July 10, 2012	ISheet
	27	of 38



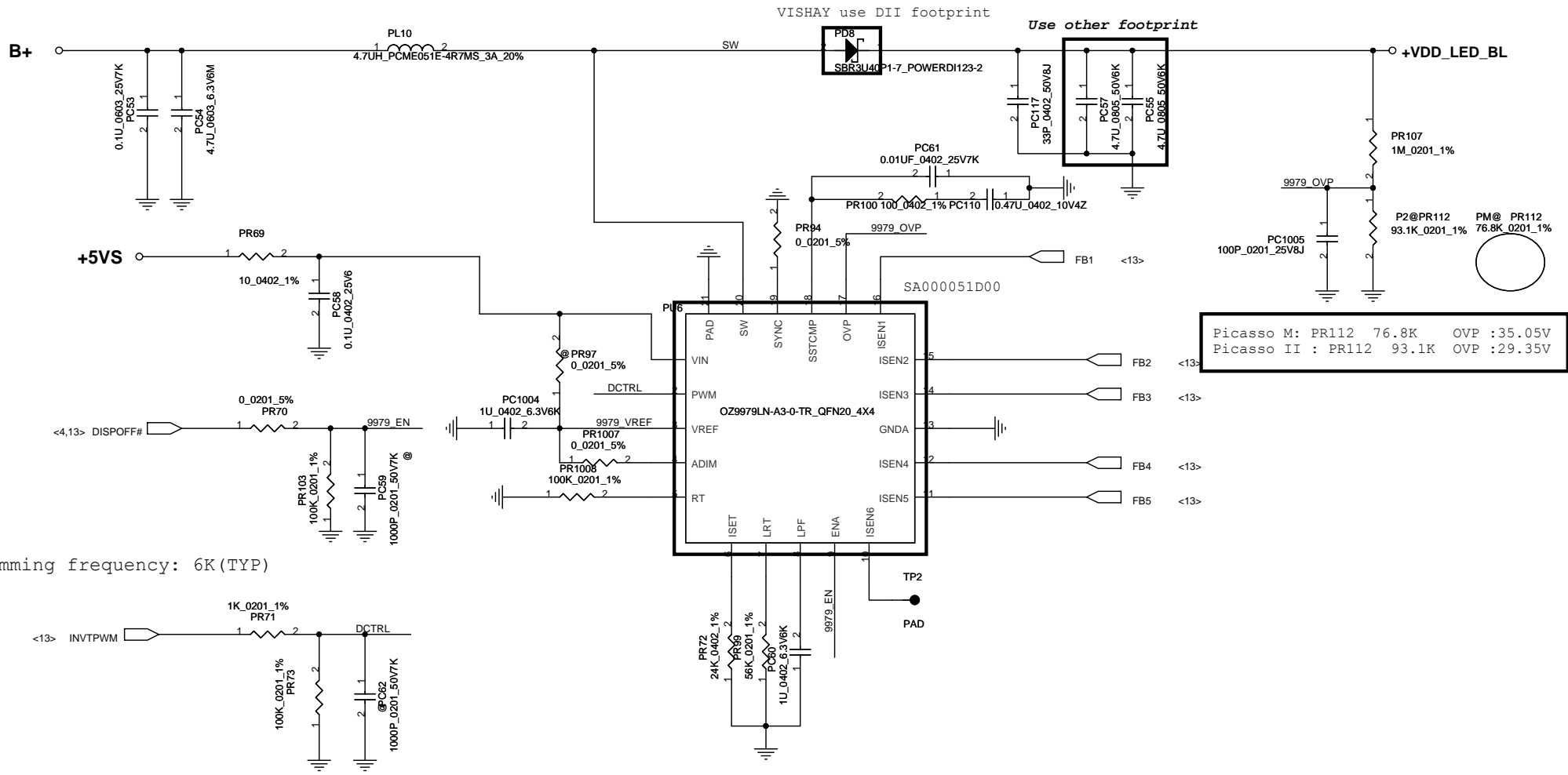
Security Classification	Compal Secret Data		Compal Electronics, Inc.	
Issued Date	2011/06/20	Deciphered Date	2012/06/20	Title
THIS SHEET OF ENGINEERING DRAWING IS THE PROPRIETARY PROPERTY OF COMPAL ELECTRONICS, INC. AND CONTAINS CONFIDENTIAL AND TRADE SECRET INFORMATION. THIS SHEET MAY NOT BE TRANSFERRED FROM THE CUSTODY OF THE COMPETENT DIVISION OF RAD DEPARTMENT EXCEPT AS AUTHORIZED BY COMPAL ELECTRONICS, INC. NEITHER THIS SHEET NOR THE INFORMATION IT CONTAINS MAY BE USED BY OR DISCLOSED TO ANY THIRD PARTY WITHOUT PRIOR WRITTEN CONSENT OF COMPAL ELECTRONICS, INC.				4019FQ
Size	C	Document Number	SCHEMATIC MB A8022	
Date:	Tuesday, July 10, 2012	Sheet	28	of 38



Security Classification	Compal Secret Data		Compal Electronics, Inc.	
Issued Date	2011/06/20	Deciphered Date	2012/06/20	Title
THIS SHEET OF ENGINEERING DRAWING IS THE PROPRIETARY PROPERTY OF COMPAL ELECTRONICS, INC. AND CONTAINS CONFIDENTIAL AND TRADE SECRET INFORMATION. THIS SHEET MAY NOT BE TRANSFERRED FROM THE CUSTODY OF THE COMPETENT DIVISION OF R&D DEPARTMENT EXCEPT AS AUTHORIZED BY COMPAL ELECTRONICS, INC. NEITHER THIS SHEET NOR THE INFORMATION IT CONTAINS MAY BE USED BY OR DISCLOSED TO ANY THIRD PARTY WITHOUT PRIOR WRITTEN CONSENT OF COMPAL ELECTRONICS, INC.				4019FQ
Size	Document Number		Rev	
C	SCHEMATIC MB A8022		B	
Date:	Tuesday, July 10, 2012	Sheet	29	of 38



Security Classification	Compal Secret Data		Compal Electronics, Inc.	
Issued Date	2011/06/20	Deciphered Date	2012/06/20	Title
THIS SHEET OF ENGINEERING DRAWING IS THE PROPRIETARY PROPERTY OF COMPAL ELECTRONICS, INC. AND CONTAINS CONFIDENTIAL AND TRADE SECRET INFORMATION. THIS SHEET MAY NOT BE TRANSFERRED FROM THE CUSTODY OF THE COMPETENT DIVISION OF R&D DEPARTMENT EXCEPT AS AUTHORIZED BY COMPAL ELECTRONICS, INC. NEITHER THIS SHEET NOR THE INFORMATION IT CONTAINS MAY BE USED BY OR DISCLOSED TO ANY THIRD PARTY WITHOUT PRIOR WRITTEN CONSENT OF COMPAL ELECTRONICS, INC.				4019FQ
Size	Document Number	SCHEMATIC MB A8022		Rev
C				B
Date:	Tuesday, July 10, 2012	Sheet	30	of 38



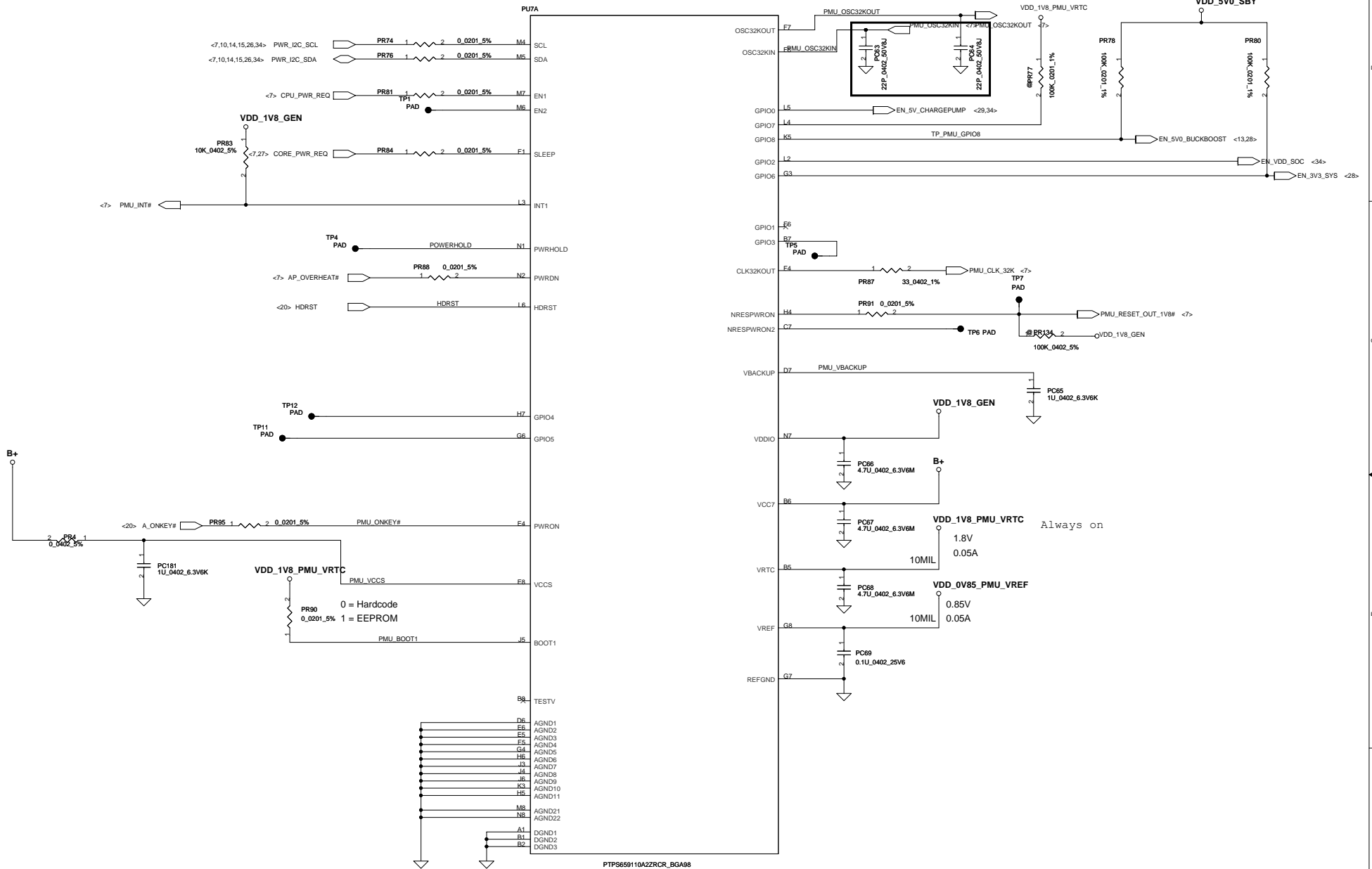
VISHAY use DII footprint

Use other footprint

Security Classification	Compal Secret Data		Compal Electronics, Inc.	
Issued Date	2011/06/20	Deciphered Date	2012/06/20	Title
THIS SHEET OF ENGINEERING DRAWING IS THE PROPRIETARY PROPERTY OF COMPAL ELECTRONICS, INC. AND CONTAINS CONFIDENTIAL AND TRADE SECRET INFORMATION. THIS SHEET MAY NOT BE TRANSFERRED FROM THE CUSTODY OF THE COMPETENT DIVISION OF R&D DEPARTMENT EXCEPT AS AUTHORIZED BY COMPAL ELECTRONICS, INC. NEITHER THIS SHEET NOR THE INFORMATION IT CONTAINS MAY BE USED BY OR DISCLOSED TO ANY THIRD PARTY WITHOUT PRIOR WRITTEN CONSENT OF COMPAL ELECTRONICS, INC.				4019FQ
Size B	Document Number	SCHEMATIC MB A8022		Rev B
Date:	Tuesday, July 10, 2012	Sheet	31 of 38	

# PMU-TPS65911 1/3

Follow Acer circuit 6/22  
 a. GP0: EM\_5V\_CP  
 b. GP2: EM\_5V0C  
 c. GP6: EM\_3V3\_SYS  
 d. GP7: EM\_DDR (Optional on Cardhu 8 since we are using VDD2 for memory)  
 e. GP8: EM\_5V0

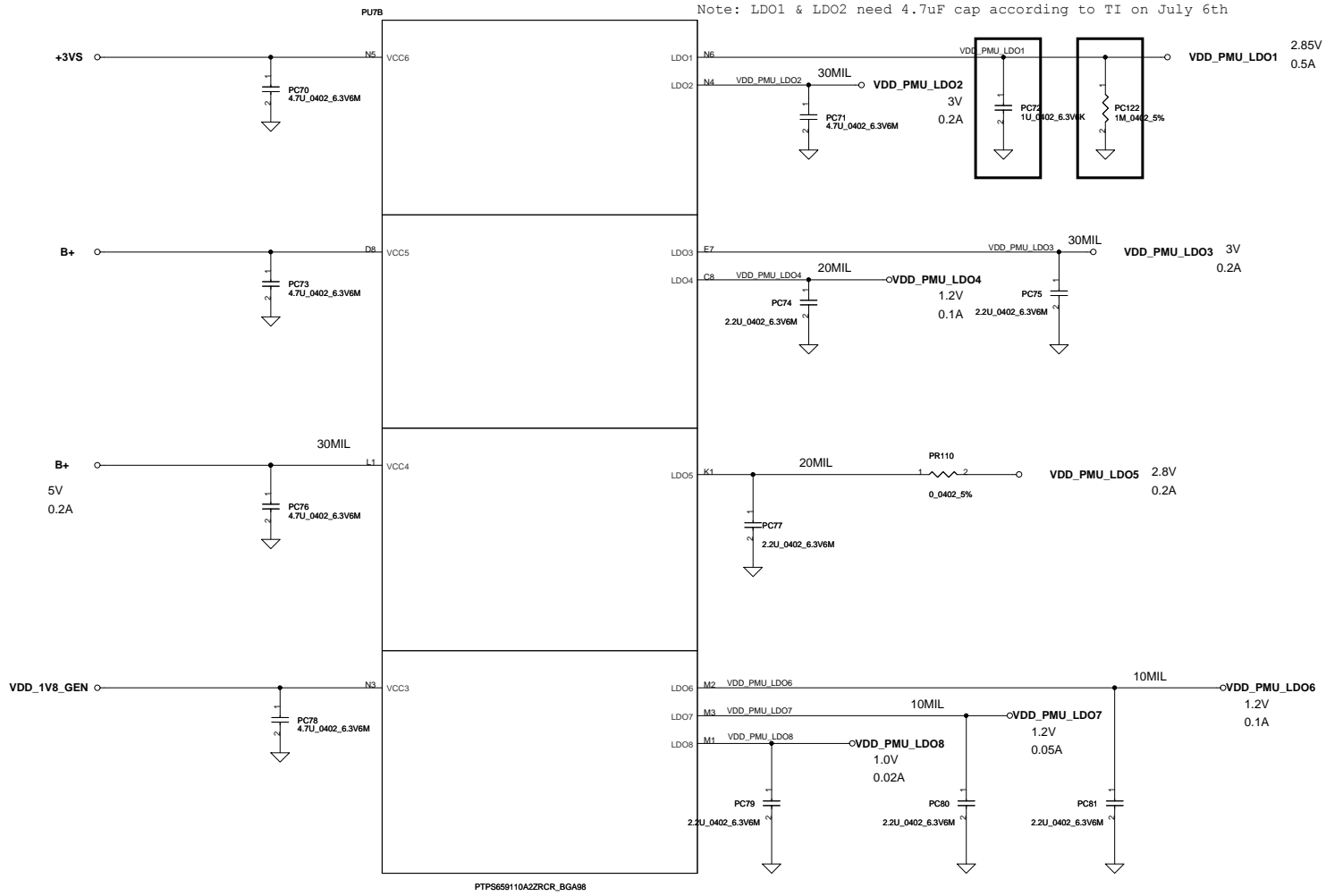


PTP659110A22RCR\_BGA98

Security Classification	Compal Secret Data		Compal Electronics, Inc.	
Issued Date	2011/06/20	Deciphered Date	2012/06/20	Title
THIS SHEET OF ENGINEERING DRAWING IS THE PROPRIETARY PROPERTY OF COMPAL ELECTRONICS, INC. AND CONTAINS CONFIDENTIAL AND TRADE SECRET INFORMATION. THIS SHEET MAY NOT BE TRANSFERRED FROM THE CUSTODY OF THE COMPETENT DIVISION OF R&D DEPARTMENT EXCEPT AS AUTHORIZED BY COMPAL ELECTRONICS, INC. NEITHER THIS SHEET NOR THE INFORMATION IT CONTAINS MAY BE USED BY OR DISCLOSED TO ANY THIRD PARTY WITHOUT PRIOR WRITTEN CONSENT OF COMPAL ELECTRONICS, INC.				4019FQ
Size	C	Document Number	SCHMATIC MB A8022	Rev
Date:	Tuesday, July 10, 2012	Sheet	32	of 38

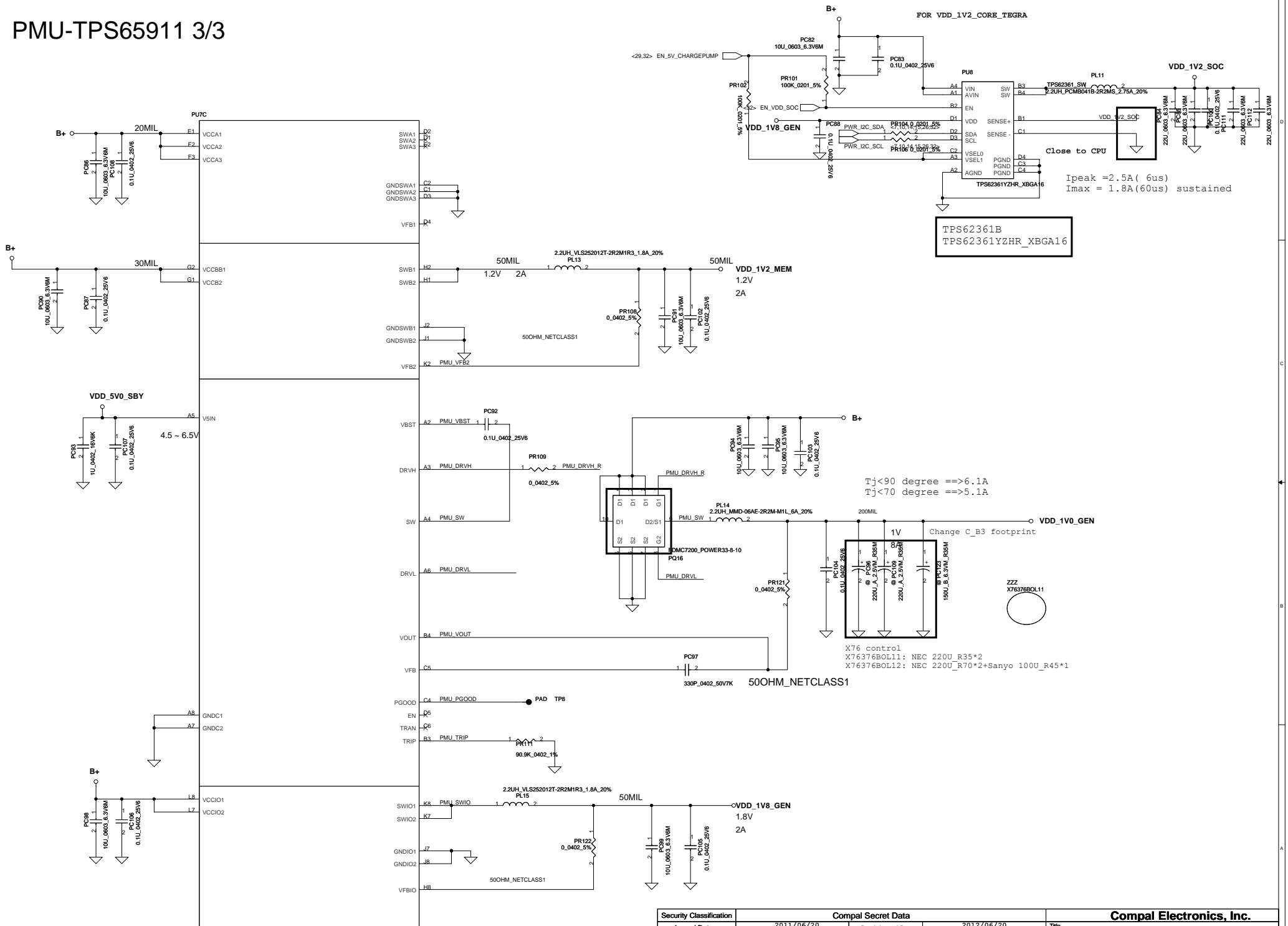


# PMU-TPS65911 2/3



Security Classification	Compal Secret Data		Compal Electronics, Inc.	
Issued Date	2011/06/20	Deciphered Date	2012/06/20	Title
THIS SHEET OF ENGINEERING DRAWING IS THE PROPRIETARY PROPERTY OF COMPAL ELECTRONICS, INC. AND CONTAINS CONFIDENTIAL AND TRADE SECRET INFORMATION. THIS SHEET MAY NOT BE TRANSFERRED FROM THE CUSTODY OF THE COMPETENT DIVISION OF R&D DEPARTMENT EXCEPT AS AUTHORIZED BY COMPAL ELECTRONICS, INC. NEITHER THIS SHEET NOR THE INFORMATION IT CONTAINS MAY BE USED BY OR DISCLOSED TO ANY THIRD PARTY WITHOUT PRIOR WRITTEN CONSENT OF COMPAL ELECTRONICS, INC.				4019FQ
Size	C	Document Number	SCHMATIC MB A8022	Rev
Date:	Tuesday, July 10, 2012	Sheet	33	of 38

# PMU-TPS65911 3/3



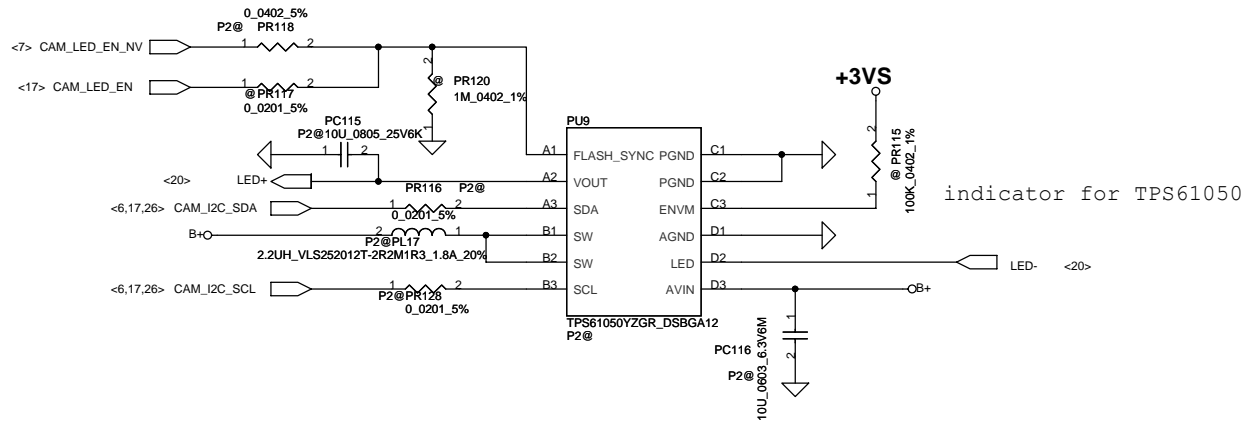
Ipeak = 2.5A (6us)  
Imax = 1.8A (60us) sustained

Tj < 90 degree ==> 6.1A  
Tj < 70 degree ==> 5.1A

Change C\_B3 footprint

X76 control  
X76376BOL11: NEC 220U\_R35\*2  
X76376BOL12: NEC 220U\_R70\*2+Sanyo 100U\_R45\*1

Security Classification	Compal Secret Data		Compal Electronics, Inc.	
Issued Date	2011/06/20	Deciphered Date	2012/06/20	Title
THIS SHEET OF ENGINEERING DRAWING IS THE PROPRIETARY PROPERTY OF COMPAL ELECTRONICS, INC. AND CONTAINS CONFIDENTIAL AND TRADE SECRET INFORMATION. THIS SHEET MAY NOT BE TRANSFERRED FROM THE CUSTODY OF THE COMPETENT DIVISION OF R&D DEPARTMENT EXCEPT AS AUTHORIZED BY COMPAL ELECTRONICS, INC. NEITHER THIS SHEET NOR THE INFORMATION IT CONTAINS MAY BE USED BY OR DISCLOSED TO ANY THIRD PARTY WITHOUT PRIOR WRITTEN CONSENT OF COMPAL ELECTRONICS, INC.				4019FQ
Size	C	Document Number	SCHEMATIC MB A8022	
Date:	Tuesday, July 10, 2012	Sheet	34	of 38



Security Classification	Compal Secret Data		Compal Electronics, Inc.	
Issued Date	2011/06/20	Deciphered Date	2012/06/20	Title
THIS SHEET OF ENGINEERING DRAWING IS THE PROPRIETARY PROPERTY OF COMPAL ELECTRONICS, INC. AND CONTAINS CONFIDENTIAL AND TRADE SECRET INFORMATION. THIS SHEET MAY NOT BE TRANSFERRED FROM THE CUSTODY OF THE COMPETENT DIVISION OF R&D DEPARTMENT EXCEPT AS AUTHORIZED BY COMPAL ELECTRONICS, INC. NEITHER THIS SHEET NOR THE INFORMATION IT CONTAINS MAY BE USED BY OR DISCLOSED TO ANY THIRD PARTY WITHOUT PRIOR WRITTEN CONSENT OF COMPAL ELECTRONICS, INC.				4019FQ
Size A3	Document Number	SCHEMATIC MB A8022		Rev B
Date:	Tuesday, July 10, 2012	Sheet	35 of 38	

Version change list (P.I.R. List)

Item	Fixed Issue	Reason for change	Rev.	PG#	Modify List	Date	Phase
1	Ripple un-stable	Loop stable for TPS63020	01	28 30	change PL5, PL9 from PCMB041B-2R2MS 2.75A to PCMB041B-1R5MS 3A,	20110806	EVT (QAJ70)
2		charger CP setting for adaptor protect	02	26	change PR9 form 0.01_1206_1% to 0.05_1206_1% change PR25 form 10K to 73.2K change PR20 form 3.83K to 21K Remove ACER USB setting circuit	20110809	DVT (QAJ50)
3		Net name error	02	35	change net name from VDD_1V8_SYS to VDD_1V8_GEN	20110809	DVT (QAJ50)
4		Material version change	02	35	change PQ16 from FDMC7200 2N POWER33-8 to FDMC7200S 2N POWER33-8	20110809	DVT (QAJ50)
5	GPIO only support 1.8V	Use low Vth dual N TR	02	26	change PQ4,PQ6,PQ7,PQ21,PQ21 from DMN66D0LDW-7_SOT363 to SI1034CX	20110809	DVT (QAJ50)
6		material change for common use	02	26	change PQ18 from BSS8402DW 1P/1N SOT363-6 to SI1553CDL-T1-GE3 1P/1N SC70-6	20110809	DVT (QAJ50)
7		No support Acer USB, delete related control circuit	02	26	Delete PQ19, PR40, PR44, PR47, PR41.	20110809	DVT (QAJ50)
8	Back-to-back MOS can't fully turn on	The BATDRV# pull low 1K will cause ACDRV abnormal	02	26	Change PR16, PR12, PD4 to reserve	20110809	DVT (QAJ50)
9	Charger will terminate	The TTC pull high 100K will cause wrong voltage level	02	26	Change PR34 from 100K to 10K	20110809	DVT (QAJ50)
10	Orange LED can't turn off	STAT pull high 100K can't drive TR	02	26	Change PR36 from 100K to 10Kohm	20110809	DVT (QAJ50)
11		Modify Battery OVP circuit to avoid AC turn off when Battery over discharge	02	26	Add PC118, PR144,PQ23. Delete PD7	20110809	DVT (QAJ50)
12	Pre-charge circuit can't work normally	Modify Pre-charge circuit	02	26	Change PR86,PR92,PR93 to PNP 2SA1037K	20110816	DVT (QAJ50)
13	Sub/B +5VS will drop to under 4.75V	Modify +5VS voltage setting to 5.15V	02	28	Change PU3 to TPS61030, PR56 to 19.1K, PR55 to 2.05K	20110824	DVT (QAJ50)
14		TPS63020 add 33P on feedback resistor for loop stable	02	28 30	Add PC113, PC114 33P	20110824	DVT (QAJ50)
15		V_MINCARD_3V3 sequence	02	30	Change PR65 from 1M_0402_1% to 100K_0402_1% Add PC1006 1U_0402_6.3V6K	20110824	DVT (QAJ70)
16		modify crystal cap	02	32	Change PC63, PC64 from 12P_0402_50V8J to 22P_0402_50V8J	20110825	DVT (QAJ70)
17		Add LED control circuit for wake up/boot define	02	26	Add PQ22 to turn off O_LED	20110825	DVT (QAJ70)

Security Classification	Compal Secret Data		Compal Electronics, Inc.	
Issued Date	2011/06/20	Deciphered Date	2012/06/20	Title
THIS SHEET OF ENGINEERING DRAWING IS THE PROPRIETARY PROPERTY OF COMPAL ELECTRONICS, INC. AND CONTAINS CONFIDENTIAL AND TRADE SECRET INFORMATION. THIS SHEET MAY NOT BE TRANSFERRED FROM THE CUSTODY OF THE COMPETENT DIVISION OF R&D DEPARTMENT EXCEPT AS AUTHORIZED BY COMPAL ELECTRONICS, INC. NEITHER THIS SHEET NOR THE INFORMATION IT CONTAINS MAY BE USED BY OR DISCLOSED TO ANY THIRD PARTY WITHOUT PRIOR WRITTEN CONSENT OF COMPAL ELECTRONICS, INC.				4019FQ
Size	Document Number	Rev	Schematic MB A8022	
Custom		B		
Date:	Tuesday, July 10, 2012	Sheet	36	of 38

Version change list (P.I.R. List)

Item	Fixed Issue	Reason for change	Rev.	PG#	Modify List	Date	Phase
1		Add for pre-charge and fast charge timeout	02	27	Add PQ19 ,PR44,PR47	20110826	DVT (QAJ70)
2		BOM control	02	27,31	Modify PD1, PD5, PD8 from SS3P4-M3-84A_SMP2 to SBR3U40P1	20110826	DVT (QAJ70)
3		footprint control	02	34,35	Modify PL13, PL15, PL17 footprint to TOKO_1239AS-H-2R2N-P2_2P	20110826	DVT (QAJ70)
4		Change CP setting for adaptor protect	02	27	Add PQ23	20110826	DVT (QAJ70)
5		Add VDD_1V0_GEN and VDD_1V8_GEN Fb resistor for test request	02	34	Add PR121, PR122	20110826	DVT (QAJ70)
6		EMI request	03	27	Change PL1 to 300ohm bead, add PC120, PR11, PC15, PC20, PR98, PC1,PC2 for EMI request	20110920	DVT2 (QAJ50)
7		Cancel the function	03	27	Delete PR12, PR16, PD4	20110920	DVT2 (QAJ50)
8		Reserve the CP control for thermal improve	03	27	Add PR48, PQ24 for reserve	20110920	DVT2 (QAJ50)
9		Dock in CP setting	03	27	Add PQ26 PR93 PR96 PR124 PR123 PR40	20110920	DVT2 (QAJ50)
10		Solve White LED flash issue when AC plug in	03	27	Add PD4,PC121,PR126,PR127,PQ27	20110920	DVT2 (QAJ50)
11		Battery OTP change to 55C	03	27	Change PR29 to 2.74K, PR30 to 8.87K	20110920	DVT2 (QAJ50)
12		remove pre-charge function	03		Reserved PU18, PQ9, PR7, PR61, PR79, PR86, PR41	20111006	DVT2 (QAJ50)
13		solve leakage current	03	27,31	Change PD1,PD5,PD8 from SBR3U40 to SS3P4; PR62, PR114 to 806K	20111006	DVT2 (QAJ50)
14		Thermal over temperature	04	28	Change PC39 to 100U_B3_6.3VM_R45	20111027	DVT2 (QAJ70)
15	VBUS leakage	PQ1 will turn on when AC plug out	04	26,27	Change PC6, PC7 to 0.22U. Add PC89 2.2U	20111027	PVT (QAJ50)
16		OTP change to 58C	04	27	Change PR29 to 2.43K, PR30 to 7.68K	20111027	PVT (QAJ50)
17		Modify battery OVP to 4.4V	04	27	Change PR67 to 38.3K	20111105	PVT (QAJ50)

Security Classification	Compal Secret Data		Compal Electronics, Inc.	
Issued Date	2011/06/20	Deciphered Date	2012/06/20	Title
THIS SHEET OF ENGINEERING DRAWING IS THE PROPRIETARY PROPERTY OF COMPAL ELECTRONICS, INC. AND CONTAINS CONFIDENTIAL AND TRADE SECRET INFORMATION. THIS SHEET MAY NOT BE TRANSFERRED FROM THE CUSTODY OF THE COMPETENT DIVISION OF R&D DEPARTMENT EXCEPT AS AUTHORIZED BY COMPAL ELECTRONICS, INC. NEITHER THIS SHEET NOR THE INFORMATION IT CONTAINS MAY BE USED BY OR DISCLOSED TO ANY THIRD PARTY WITHOUT PRIOR WRITTEN CONSENT OF COMPAL ELECTRONICS, INC.				4019FQ
Size	Document Number	Rev		B
Custom	SCHMATIC MB A8022			
Date:	Tuesday, July 10, 2012	Sheet	37	of 38

Version change list (P.I.R. List)

Item	Fixed Issue	Reason for change	Rev.	PG#	Modify List	Date	Phase
1		Turn off charge LED when USB in	04	27	Add PQ29, PC126, PC127	20111210	PVT (QAJ50)
2	White LED can't light when power on	Don't need the component	04	27	Change PR45 to reserve	20111210	PVT (QAJ50)
3		Adjust CP setting when power on for thermal issue	04	27	Add PQ22, PR132, PR135	20111210	PVT (QAJ50)
4	Battery can't be charged when dock in	Modify the battery capacity control for EN_USB_HOST to BATT_LEARN	04	27	Add PR1012, change P135 to 4.99K	20111210	PVT (QAJ50)
5	T30S WAKE_UP_ACIN damage	Avoid WAKE_UP_ACIN in-rush voltage	04	27	Add PR136, PR131	20111210	PVT (QAJ50)
6		Modify charge output voltage to improve battery capacity	04	27	Change PR35 to 82K and PR31 to 82.5K	20111210	PVT (QAJ50)
7		Avoid white LED will flash 1s when AC/USB plug in/out	04	27	Change PD4 to reserve, Add PR1013, PR126, PC124	20111210	PVT (QAJ50)
8		Modify crystal cap value	04	32	Change PC63, PC64 to 22P	20111210	PVT (QAJ50)
9	EMMC voltage drop	PMIC LDO1 compensation	04	33	Change PC72 to 1U	20111210	PVT (QAJ50)
10		Avoid EMMC external LDO floating	04	33	Add PC122 1M	20111219	PVT (QAJ50)
11							
12							
13							
14							
15							
16							
17							

Security Classification		Compal Secret Data		Compal Electronics, Inc.	
Issued Date	2011/06/20	Deciphered Date	2012/06/20	Title	4019FQ
THIS SHEET OF ENGINEERING DRAWING IS THE PROPRIETARY PROPERTY OF COMPAL ELECTRONICS, INC. AND CONTAINS CONFIDENTIAL AND TRADE SECRET INFORMATION. THIS SHEET MAY NOT BE TRANSFERRED FROM THE CUSTODY OF THE COMPETENT DIVISION OF R&D DEPARTMENT EXCEPT AS AUTHORIZED BY COMPAL ELECTRONICS, INC. NEITHER THIS SHEET NOR THE INFORMATION IT CONTAINS MAY BE USED BY OR DISCLOSED TO ANY THIRD PARTY WITHOUT PRIOR WRITTEN CONSENT OF COMPAL ELECTRONICS, INC.				Size	Document Number
				Custom	SCHMATIC MB A8022
				Date:	Tuesday, July 10, 2012
				Sheet	38 of 38

[www.s-manuals.com](http://www.s-manuals.com)