



PowerTel M8000 mobile phone

Operating
Instructions





Hearing aid compatibility

This telephone is equipped with T Coil coupler making it compatible with most popular hearing aids. Due to the wide range of hearing aids available there is no guarantee that the telephone will function with all hearing aid models. Please check your hearing aid immunity rating is higher than M2. This rating can be provided by the manufacturer of your hearing aid. Instruments with rating lower than M2 may not be compatible with this telephone. When using this telephone press the 'T' button on your hearing aid to switch it to Telecoil mode, this will link your hearing aid to the phone and will enable clearer sound without background noises. Please check if your hearing aid is equipped with 'T' facility and if it is automatic or manual. Hearing aids with high immunity rating equipped with automatic T mode should be able to detect your phone automatically and switch over to T position. Hearing aids with Manual T function would need manual activation of this function on your hearing aids.

Helpline 0844 800 6503

(See page 90 for costs and hours of operation)

Quick Start Guide	8
Quick Glance	8
What is in the box	10
Installing the SIM card, SD card and battery	10
Charging the battery	12
Charging via the mini USB charging socket	13
Charging via the desktop charging unit	13
Battery status	14
Switching the mobile phone on and off	14
Make sure you are in range of your Network	15
Setting the display language	16
Setting the time and date	16
Taking a call	16
Rejecting a call	16
Ending a call	16
Making a call	16

Advanced Settings and Functions	17
Questions and Answers	17
The phone in details	22
Keys and Parts	22
Special key functions	22
Icons in the display	26
Using the phone	28
General	28
Switching the mobile phone on and off	30
Dialling a phone number / Calling	31
Dialling with the speed dialling keys	31
Dialling with the one-touch dialling keys (A,B,C).....	31
Using redial / using the Calls list.....	32
Taking a call.....	32
Options whilst in a call	33
Setting the volume.....	34

Hands-free	34
Muting the microphone.....	34
3-party conference	35
“Phonebook” menu	36
Opening the phonebook	36
Checking the memory status.....	36
Creating a new phonebook entry.....	36
Calling from the phonebook.....	38
Editing a phonebook entry.....	39
Deleting a phonebook entry	39
Deleting all phonebook entries	39
Copying all phonebook entries	40
Storing a phonebook entry to a speed dialling key.....	40
Storing a phonebook entry to an one-touch dialling key ..	41

“Messages” menu	44
Messages menu	44
Message settings.....	45
Multimedia message settings	47
Service message settings.....	49
Writing and sending a SMS.....	50
Reading/deleting messages and further options.....	51
“Call history” menu	54
Reading the calls list.....	54
Deleting the calls list.....	55
Further options	55
“Settings” menu	56
Tone control	56
Switching Boost on and off	57
Direct numbers	57
User profiles.....	58
Call settings.....	60

Phone settings	65
Network settings	66
Security settings	68
Connectivity	69
Restore factory settings.....	72
“Multimedia” menu	73
Camcorder/Camera	73
Gallery.....	76
Video player	78
Sound recorder.....	78
“Organizer” menu	80
Alarm	80
Notes.....	81
“File manager” menu	82
“Services” menu	83

“SOS” menu	84
Selecting an emergency call destination	84
Entering emergency call numbers.....	84
Select an outgoing emergency voice message	85
Recording a personal emergency voice message.....	86
Emergency call procedure	86
Cancel the emergency call function.....	88
Appendix	89
Technical data	89
Service hotline	90
Problems and solutions.....	90
Tips on the battery	93
Intended use	94
Areas of use	94
Safety Information	95
Power adapter plug.....	97
Disposal	98

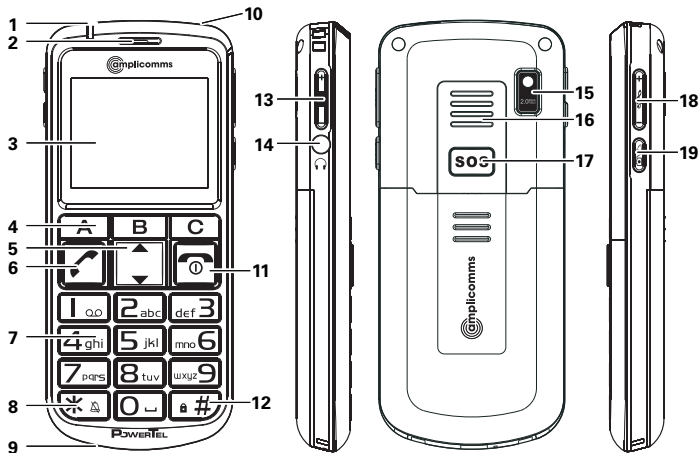
Declaration of Conformity	99
Maintenance	100
Guarantee	100
Index	103
Menu tree	112

Quick Start Guide

Important: Before you start, please read the safety information on page 95.

Quick Glance

- | | | | |
|----|--|----|---------------------------------------|
| 1 | Signal LED | 12 | Hash key |
| 2 | Earpiece | 13 | Volume control +/- |
| 3 | Display | 14 | Headset socket (Headset not supplied) |
| 4 | Softkeys (A/C) /
Direct call keys A/B/C | 15 | Camera lens |
| 5 | Navigation key | 16 | Loudspeaker |
| 6 | Call key | 17 | Emergency call button |
| 7 | Keypad | 18 | Sound control |
| 8 | Star key | 19 | Boost key / Quick access to camera |
| 9 | Microphone | | |
| 10 | Micro-USB charging socket | | |
| 11 | End call key /
On/Off key | | |



What is in the box

The box contains:

- | | |
|-------------------------|----------------------|
| 1 mobile phone | 1 power adapter plug |
| 1 li-ion battery | 1 operating manual |
| 1 desktop charging unit | |

Installing the SIM card, SD card and battery

Risk of swallowing small objects!

The SIM card can be removed.

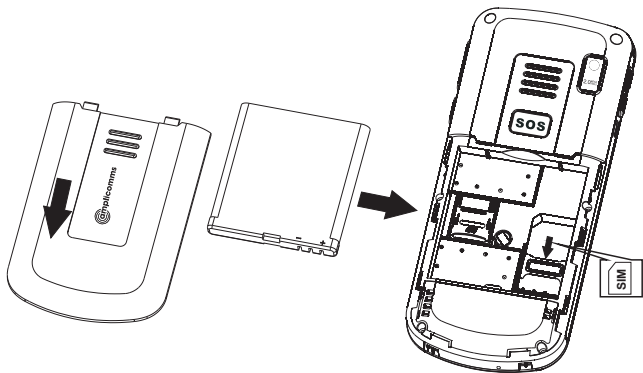
Small children can swallow them.

Pay attention that the SIM card is not bent or scratched. Prevent any contact with water, dirt or electrical charges.

Your telephone number is carried by the SIM card, not the phone. Therefore if you use a SIM card you had in a previous phone, you will keep the same phone number.

- Switch the phone off.
- Remove the battery cover by pressing on it in the area below the SOS key, slide it down and take it off.
- If there is already a battery inside, remove it.

- Slide the SIM card with the golden contacts facing down in the moulded SIM card holder. The SIM card must be located under the metal retaining bar to be in the correct position. The phone supports 2G and 3G (see p. 21).



- You have the option of inserting a micro SD card. Press lightly on the card holder and push it carefully toward the upper edge of the casing. The memory

card bracket can now be flipped up vertically. Place the memory card positive-locking into the bracket. Make sure that the memory card contacts are facing down and that the "nose" is placed in accordance with the marked area. The contacts of the memory card must not get scratched or bent. Flip the bracket down and push it in the direction of the edge of the casing until it locks into place.

- Insert the battery. The golden contacts on the battery must face towards the bottom right. Press lightly on the top end of the battery until it snaps into place.
- Replace the battery cover on the back of the phone and shift it upwards until it clicks into place.

Charging the battery

- Before starting to charge the battery, check that it has been installed properly. Do not remove the battery while it is being charged. This could damage the phone.

- When charging the battery for the first time, it should be charged for at least 4 hours. Some batteries only reach their full capacity after several complete charge/discharge cycles.

Charging via the mini USB charging socket

- Plug the power adapter in the mini USB charging socket.
- Connect the power adapter plug. For safety reasons, only use the power adapter plug supplied.

Charging via the desktop charging unit

- Plug the power adapter plug in the mini USB charging socket on the charging unit. Insert the phone in the charging unit to charge it.
- It may take a few seconds before the phone indicates the charging process.

Battery status

The current battery charge status is indicated in the display as follows:



Full --> --> --> --> --> --> --> --> --> Empty

When the battery charge is low, a corresponding warning message appears in the display. Charge the battery.

When the battery charge drops below the minimum status, the phone switches off automatically.

Switching the mobile phone on and off



3 sec. Switch the mobile phone on. To stop the melody press the End call key.




3 sec. Switch the mobile phone off. Press **Yes** in the following confirmation query.

Some SIM cards will require you to enter a PIN code. Follow the prompts on the screen.

The SIM code (PIN of the SIM card) that you received with your SIM card, protects the SIM card against unauthorised use. The PIN2 code supplied with some SIM cards, you need to access certain services. If you enter the PIN or PIN2 code incorrectly three times in a row, you will be prompted to enter the PUK or PUK2 code. Check with your provider if you do not know these codes.

Make sure you are in range of your Network

Some networks offer better coverage than others in different areas. The icon  indicates you have a signal and are connected to the network. The network will also appear in the display.

Setting the display language

If you want to select a different language please refer to page 65. There are different languages available.

Setting the time and date

Refer to page 65.

Taking a call



Take the call

Rejecting a call



Reject the call

Ending a call



End the call

Making a call

Enter the phone number

Clear

Delete the last digit if incorrect



Dial the phone number

Advanced Settings and Functions

For more details about setting up your Amplicomms M8000 and other functions follow the descriptions in this user guide.

Examples:

- Set your one-touch dialling keys -> page 41.
- Store numbers in the phone book -> page 36.

Questions and Answers

In the majority of cases your M8000 phone is supplied without a SIM card. You may find the following “Questions and Answers” (Q & A) helpful.

Why hasn't the mobile phone been supplied with a SIM card?

Many people already have a mobile phone and wish to transfer their existing SIM card over to the new phone. This has the advantage of keeping the same telephone

number and if the card is subscribed to a Pay-as-you-go service then you also benefit from being able to carry over any credit that has been paid on the card.

Where can I get a SIM card from?

Any high street mobile phone shop will be able to provide you with a SIM card. Some of the major supermarket chains also provide mobile phone services and can supply a SIM card. A useful tip when choosing a SIM card / service provider however is to make sure that you have adequate signal coverage at home; this is particularly important if you live in a very rural area.

Why doesn't the mobile phone have a telephone number?

The telephone number is supplied by the service provider and will be registered onto the SIM card.

Can I use the SIM card from my old mobile phone?

Yes as long as the SIM card is less than three years old you can transfer the card over. Some old SIM cards however are not compatible with the Amplicomms mobile phone as they are from an earlier generation of SIM card design.

Can I use a SIM card from any mobile phone company?

Yes. The Amplicomms mobile phone is what is termed as an open SIM card phone and so it is not restricted to any particular service provider or mobile phone company.

How do I pay for my calls?

There are two main types of registration with a service provider or mobile phone company. One is a contract – this is where you sign up for an agreed contract over several months / year and pay an agreed monthly fee. This is more suited to people who are using their mobile

phone as part of their job for example. The other is Pay-as-you-go, sometimes abbreviated to PAYG. With this type of service you add credit to the card and top up as and when required. Topping up the card is easy, you can do this over the phone, on-line, at many shops and even some cash points allow you to do this. PAYG is more suited to less frequent users.

How do I find out my credit balance?

The service provider of the SIM card should have provided an information pack with the card. This will give details of a short number to dial in order to check your balance. These access codes differ between mobile phone companies so please check the details specific to your service provider. Key in your number, press the talk button and the credit balance will be announced to you.

What does 2G/3G network mean?

3G is a third generation mobile communications standard (UMTS / Universal Mobile Telecommunications System), with which significantly higher data transfer rates are possible than with the second generation (2G) mobile communications standard, the GSM standard (Global System for Mobile Communications).

For a mobile telephone conversation, however, it is irrelevant which standard is available; the advantages of the higher transfer rates only apply to data applications.

The phone in details

Keys and Parts

for the explanation of keys and parts please refer to page 8.

Special key functions

- Left softkey (A)** In standby -> open the main menu
In menus the function changes due to the term in the display above the softkey (e. g. **OK, Select**).
- Right softkey (C)** In standby -> open the phonebook
In menus the function changes due to the term in the display above the softkey (e. g. **Back**).
- Direct call keys** **A, B, C** - long press (approx. 3 seconds) of one of these keys dials the assigned phone number. A phonebook entry can be assigned to each one-touch dialling key (refer to



“Storing a phonebook entry to a one-touch dialling key” page 41).

Call key

- Take a call or dial a number.
- Open the call list and the redial list

End call key

- End or reject a call
- Cancel the current process and return to standby (in menus)

Navigation key

- Switch the mobile phone on and off

Navigate through the menu.

In standby the navigation key offers a quick access to specific menu items.

- ▲ - Quick access to the user profile: customisation of the user profile (ringtone etc.).
- ▼ - Quick access to important settings.



Digit key 1

Long press (approx. 3 s) dials the number to access your voice mail messages.

Note: If prompted, it may be necessary to enter your network's voice mail number first. Refer to the documentation supplied with your SIM card for this number.

Star key

- In standby: long press toggles between user profile and silent mode.

- to enter the international prefix “+” in pre-dialling (press 2 times) or to enter P (pause)/ W (wait) (may be necessary for call-through numbers or remote accessing an answering machine).



- when entering text: open the special character table.

Hash key

- In standby: long press activates/deactivates key lock.

- when entering text: toggles between case and numbers.

Sound control keys +/- - In standby/whilst on a call: tone control settings (High frequency/ Normal frequency/Low frequency)

Volume control keys +/- - Whilst on a call -> adjusts the earpiece or Hands-free volume.

Boost key / Camera In standby: short press switches the camera mode on.

Press and hold for approx. 2 sec to switch the boost on/off.

- In a call: press to toggle between boost and normal volume.



SOS key

Start the SOS sequence. For details please refer to page 86.

Icons in the display



Signal strength of the phone's connection



Battery capacity (refer to page 14)



2G network (GSM standard)



3G network (UMTS standard)



New SMS



New call



Call forwarding active



Alarm is activated



Boost is activated



Ringer off (Silent mode)



Ringer on



Vibration on



Vibration first, then ringer



Vibration and ringer



A headset is connected



Bluetooth is activated






The “Roaming” symbol will appear if the phone switches to an alternate network provider. This may occur for example when entering another country. The Roaming facility depends on your network provider. Call your network provider if you have any queries regarding this service.

Using the phone

General

All the functions can be accessed via the various menus.

- Use the arrow keys ▲ /▼ to scroll through the menus and the lists (e. g. phonebook).
- Press **Back**, to return to the last step.
- Press **OK**, to get to the next step.
- When entering text (e. g. phonebook or SMS) use the  key to toggle between smart input ( **ZI** ABC or  **ZI** abc), uppercase letters (ABC), lowercase letters (abc), words beginning in size (Abc) or numbers (123).
 - **Smart text input** is based on a built-in dictionary. Start writing a word, using the keys 2 to 9. Press each key only once for one letter. Confirm a word by **Select** or by adding a space (press **0**). If the word is not correct, press the **volume keys +/-** repeatedly, and select the word from the list. When you do not find the correct letters between ◀ and ▶ press **Clear**



until you find the first letters are OK, then press **Select**, then continue by typing the next letter key, if this is incorrect use the option bar at the bottom of the screen which should have appeared, showing individual letters and characters then press choose a letter and press **Select**. Repeat this procedure for the next letter if necessary. If you still cannot get the correct word, Long press ***** button and you can temporarily toggle the input method from Smart ABC/abc to plain ABC/abc.

NOTE: If you wish to include a numeric character you can do this by pressing and holding the appropriate numeric key down for 3 seconds.

- In order to enter text in **Multitap** mode, press the key labelled with the corresponding letter/character. If the first character of the group is required, press the key once. If the second character is required, press it twice, and so on. To enter two characters assigned to



the same key, press the key the respective number of times to enter the first character. Then wait for approx. 2 sec. and enter the second letter.

- Use the arrow keys ▲ /▼ and the **volume keys +/-** to place the cursor and press **Delete** for deleting characters.

Important Note: If the display light turns off, any key-stroke activates only the light again. You must press the desired button a second time to perform the function.

Switching the mobile phone on and off

Switch off: Press and hold the red end call key. After a few seconds the telephone will be switched off.

Switch on: Press and hold the red end call key until the display light will be switched on. Enter the PIN code for your SIM card and press **OK**. Entering the PIN code is not required if this feature is switched off for your SIM card (refer to page 68 "SIM lock" / not available for every provider).



Dialling a phone number / Calling

- The phone must be in standby (SIM card inserted and the phone switched on).
- Enter the telephone number incl. the prefix. For entering a + in front of the country prefix press * quickly two times.
- Press the green call key to dial the phone number.
- Press the red end call key for ending the call.

Dialling with the speed dialling keys

- Make sure, a phone number is assigned to the respective key. Press the desired digit key for approx. 3 seconds. Each stored number is dialled. To program the speed dialling keys see "Storing a phonebook entry to a speed dialling key," page 40.

Dialling with the one-touch dialling keys (A,B,C)

- Make sure, a phone number is assigned to the respective key. Press and hold the desired one-touch



dialling key for approx. 3 seconds. Each stored number is dialled. To program the one-touch dialling keys see "Storing a phonebook entry to an one-touch dialling key," page 41.

Using redial / using the Calls list

- In standby press the green call key. A list of the last calls is shown (Missed calls, dialled calls, received calls). Select an entry using the arrow keys ▲ / ▼.
- Press the green call key to dial the selected phone number.

Taking a call

- If your phone is ringing press the green call key.
 - Press the red end call key or the right softkey (**C**) to reject the call. The caller gets the busy tone (depending on your provider).
Pressing the left softkey (**A**) mutes the ringtone. You can answer the call as long as the caller did not



hang up by pressing the green call key or the left softkey **(A)** (Answer).

Options whilst in a call

You can select the following **Options** with the left Softkey **(A)**:

- Hold single call -> The call is put on hold. To retrieve the call press **Options/Retrieve single call**
- End call -> End the call (same as end call key).
- New call -> Select a new telephone number (see Conference, page 35).
- Phonebook -> Open the phonebook.
- Call history -> Open the call history.
- Messages -> Open the messages menu.
- Sound recorder -> Open the soundrecorder for recording the current conversation.
- Mute -> Mutes the microphone (refer to Muting the microphone, page 34).
- DTMF -> Select this option, if you want to enter



access codes e. g. for remote accessing an answering machine.

Setting the volume

- During a call you can set the volume using the + / - volume keys on the right hand side of the phone. The setting will be saved.

Hands-free

- During a call press **H-Free**. You can hear the caller via the loudspeaker.
- For switching off press **H-Held**. The loudspeaker will be switched off.

Muting the microphone

- During a call press **Options**, select **Mute** and press **On**. The microphone will be muted.
- To unmute press **Options**, select **Mute** and press **Off**.

3-party conference

“3-party” is a provider dependant feature. Establishing a 3-party conference lets you talk to two subscribers simultaneously.

- Call the first subscriber.
- Press **Options**, select **New call** and press **OK**.
- Enter the phone number for the second subscriber or press **Options** and **Phonebook**, to select a phonebook entry.
- Press **Options**, select **Call** and press **OK**.
- When the second subscriber answers, press **Options**, select **Conference** and press **OK** to establish the 3-party conference.

"Phonebook" menu

You can save names and phone numbers in the internal memory (up to 300 entries) and on the SIM card.

Opening the phonebook

- In standby press **Names**
- or
- During a call press **Options**, select **Phonebook** and press **Select**.

Checking the memory status

For checking how many names and phone numbers are stored in the phonebook press **Names** -> **Options** -> **Phonebook settings** -> **Select** -> **Memory status** -> **OK** . The status of the SIM and phone memory is displayed.

Creating a new phonebook entry

- Press **Names** -> **Options** -> **Add new contact** -> **Select**.
- Select whether the new entry should be stored to the phone's memory or to the SIM card and press **OK**.



Please note: If you selected “To SIM” you can only enter the name and one telephone number.

- Enter the name and press ▼.
- Enter the phone number and press ▼.
- If necessary enter an Email address and press ▼.
- Select a picture for the entry (use **4** and **6** for selection).
- Assign a ring melody to the entry. Use **4** and **6** to select a melody. When selecting **None** the default ringtone will sound (as set in the user profile). Select **Record voice** to record a personal ring tone or speak any text to the telephone’s microphone. Your recorded words will be used as ringtone for this entry. For doing this press **Options** -> **Record voice** -> **Select**. Press **Stop** when you have finished and press **Yes** in the confirmation query.

Further options:

- **Add detail** -> Opens a list for further inputs (private

telephone number, office telephone number, fax number etc.).

- Press **Options** -> **Save** -> **Select**. Press **Yes** in the following confirmation query.

Note: Your personal ringtone

You can record e. g. "Peter is calling" as a ringtone. Did you associate this ringtone to phonebook entry "Peter", your phone will announce calls from Peter with: "Peter is calling".

Calling from the phonebook

- Press **Names** to open the phonebook.
- Select an entry using the arrow keys or enter the first letter for the entry.
- Press the green call key to dial the phone number.

Editing a phonebook entry

- Press **Names** to open the phonebook.
- Select an entry, press **Options**, select **Edit** and press **Select**.
- Edit the entry.
- Press **Options** -> **Save** -> **Select**. Press **Yes** in the following confirmation query.

Deleting a phonebook entry

- Press **Names** to open the phonebook.
- Select an entry, press **Options**, select **Delete** and press **Select**. Press **Yes** in the following confirmation query.

Deleting all phonebook entries

- Press **Names** -> **Options** -> **Phonebook settings** -> **Select** -> **Delete all contacts**. Select whether the contacts in the phone or on the SIM card should be deleted and confirm.

Note:

- For deleting all entries in the phone you will have to enter the phone's password. Default it is set to 1122.
- For deleting all entries on the SIM card you will have to enter your SIM PIN.

Copying all phonebook entries

- Press **Names** -> **Options** -> **Phonebook settings** -> **Select** -> **Copy contacts**. Select whether the contacts in the phone should be copied to the SIM card or vice-versa and confirm.

Storing a phonebook entry to a speed dialing key

- Press **Names** -> **Options** -> **Phonebook settings** -> **Select** -> **Speed dial** and press **OK**.
- Make sure that the feature Speed dial is switched on (Status On).
- Select **Set numbers** and press **OK**.

- Select a button from the list (2...9) and press **Edit**.
- Select an entry and press **OK**. Press **Yes** in the following confirmation query.

Storing a phonebook entry to an one-touch dialling key

- Press **Menu** -> **Settings** -> **Direct numbers** -> **OK**
- Select a direct call key (**A**, **B** or **C**) and press **Edit**.
- Select **Add from phonebook** -> **OK**, select an entry and press **OK**. Press **Yes** in the following confirmation query.
or
Select **Edit number** -> **OK**, enter a phone number and press **OK**.

Further options

With the phonebook open and an entry selected press

Options and select one of the following options:

- **View:** The entry is shown.
- **Add new contact:** To add a new entry.

 **"PHONEBOOK" MENU**

- **Send message:** Send a message to the respective phone number.
- **Call:** To make a call to the phone number.
- **Edit:** You can edit the entry.
- **Delete:** The entry will be deleted.
- **Copy:** You can copy the entry to the telephone or to the SIM card.
- **Move:** You can move the entry to the telephone or to the SIM card. The entry will be deleted at its origin.
- **Add to Blocklist:** The entry will be added to the block list.
- **Mark several:** You can mark several entries to edit them together.
- **Caller groups:** You can define caller groups. In these caller groups, you can group phone book entries stored in the phone book of the phone (not possible with entries stored on the SIM card).

- **Phonebook settings**
 - **Preferred storage:** Select where new entries should be saved (SIM card, telephone).
 - **Speed dial:** Switch on the speed dial function and edit the speed dial buttons.
 - **My number:** Your own telephone number.
 - **Extra numbers:** Entry options for an owner number or a fixed dial.
 - **Memory status:** Shows the number of entries on the SIM card and in the phone.
 - **Copy contacts:** Copy all contacts from the SIM card to the phone and vice-versa.
 - **Move contacts:** Move all contacts from the SIM card to the phone and vice-versa.
 - **Delete all contacts:** Delete all contacts.

"Messages" menu

You can send and receive text messages (SMS) and multi-media messages (MMS). A message will be treated as an SMS until you attach an image, sound, etc. Then it will automatically be converted to an MMS. In this case, there are more and other options available if needed. Received messages are stored either internally in the phone or on the SIM card. Unread messages are stored in the Inbox. When a new message is received, a message appears on the display.

If the memory is full, you will receive a message. To receive new messages you will have to delete old messages.

Messages menu

Press **Menu** -> **Messages** -> **OK**. You will have the following options:

- **Write message:** To write a new message.
- **Inbox:** Open the list of received messages.
- **Drafts:** Open the draft list.

- **Outbox:** Open the list of messages still to be sent.
- **Sent messages:** Open the list of already sent messages.
- **Archive:** open the archive.
- **Delete messages:** To delete a message.
- **Broadcast messages:** If your provider supports this service you can change some parameters in this menu.
Note: These settings should only be changed by advanced users.
- **Templates:** Open the list of templates.
- **Message settings:** You can change some of the messages related parameters.
Note: These settings should only be changed by advanced users.

Message settings

Checking/changing the SMS centre number

This particular number is needed for sending and receiving of SMS. It is stored on the SIM card correctly. In cer-

tain cases it is necessary to check that number or to change it.

- Press **Menu**, select **Messages** -> **Message settings** -> **Text messages** and press **OK**.
- You have the following options.
 - **Profile settings** and select the active profile (marked with a green tick).
 - Select the desired profile, press **Options**, select **Activate** or **Edit** and press **Select**.
 - Options are: Changing the profile name, changing of the SMSC address (the phone number for your provider's SMS centre), Validity period (changes with **4** and **6**) and Message type (changes with **4** and **6** , please let this setting untouched to "Text").
 - Quit the menu with **Back** or **Done** (**Done** is only offered if changes have been made).
 - **Voicemail server**: You can change the number of your voice mailbox. For information contact your

network provider.

- **Common settings:** You can edit the settings for **Delivery report**, **Reply path** and **Save sent messages**. Active settings are marked by a tick. With the left softkey you can toggle between **On** and **Off**.
Note: For **Reply path**, please let this setting untouched to “Off”).
- **Memory status:** The status of the SIM and phone memory is displayed.
- **Preferred storage:** Select where the messages should be stored (**SIM** or **Phone**).
- **Preferred connection:** Select your preferred connection. **Note:** Please keep in mind that GPRS is needed for sending a MMS. Don't set “GSM only” if you want to send MMS.

Multimedia message settings

Note about MMS: Both you and the recipient must have a subscription that supports drafting and sending multime-

dia messages. This type of profile or account is often pre-installed. If not, you can get the information from your network provider. In the M8000, the settings for the data account are in the **"Connectivity"** menu.

- Press **Menu**, select **Messages** -> **Message settings** -> **Multimedia message** and press **OK**.
- You have the following options.
 - **Data account:** Select **Primary** or **Secondary account** and press **Edit**. Select an entry from the list and press **OK**.
 - **Common settings**
 - **Compose:** Settings for composing a MMS as **Slide time, Creation..., Picture res..., Auto. signa..., Signature**.
 - **Sending:** Settings for sending a MMS as **Validity pe..., Delivery r..., Read report, Priority, Delivery ti..., Send and...**



- **Retrieval:** Settings for treating a MMS as **Home net...**, **Roaming**, **Filters**, **Read report**, **Delivery r...**
- **Preferred storage:** Select, where the MMS should be stored to (**Memory card** or **Phone**).
- **Memory status:** The status of the SIM and phone memory is displayed.

Service message settings

- Press **Menu**, select **Messages** -> **Message settings** -> **Service message** and press **OK**.
- You have the following options.
 - **Enable push:** Press **OK**, select from the options and press **OK**.
 - **Enable service loading:** Press **OK**, select from the options and press **OK**.
 - **Enable white list:** Press **OK**, select from the options and press **OK**.
 - **Enable block list:** Press **OK**, select from the options and press **OK**.



"MESSAGES" MENU

- **White list:** Press **Yes** in the confirmation query, select **Add new** if necessary and edit the list.
- **Block list:** Press **Yes** in the confirmation query, select **Add new** if necessary and edit the list.

Writing and sending a SMS

- Press **Menu**, select **Messages** -> **Write message** and press **OK**.
- Write your SMS using the digit keys. For more information for entering text refer to chapter "Using the phone / General", page 28.
- After having entered the text press **Options**, select **Send to** and press **Select**.
- Select **Enter recipient**, press **Select**, enter the phone number including the prefix and press **Options** -> **Done**.
- The entered phone number will be shown.
- Press **Options**, select **Send** and press **Select**.

or



- Select **Add from Phonebook** and press **Select**.
- Select an entry and press **OK**.
- The selected entry will be shown.
- Press **Options**, select **Send** and press **Select**.

Reading/deleting messages and further options

- Press **Menu**, select **Messages-> Inbox** and press **OK**.
- Select a message.
- Press **Options**. You have the following options:

- **View**: The message is displayed.

With **Options** you have the following options:

- **Reply**: Reply to the number from which the text was sent.
- **Call sender**: Call the sender on the phone.
- **Forward**: Forward the text to a different number.
- **Delete**: Delete the message.
- **Advanced**: You find the options **Use number / Copy to phone/SIM / Move to phone/SIM / Move to Archive**.



"MESSAGES" MENU

- **Edit options:** Here, you can select "Mark text" or "Copy all" to then enter this text in a new message (again, via the menu item, "Edit options").
- **Details:** Show message's details (date/time/sender etc.).
- **Reply:** Reply to the number from which the text was sent.
- **Call sender:** Call the sender on the phone.
- **Forward:** Forward the text to a different number.
- **Delete:** Delete the message.
- **Delete all:** Delete all messages.
- **Save to Phonebook:** (only available if there is no respective entry in the phonebook yet) stores the sender's phone number in the phonebook.
- **Move to archive:** Saves the message in the archive.
- **Mark several:** To mark several messages for common operation.
- **Mark as unread:** Marks the message as unread.



- **Advanced**
 - **Copy to phone/to SIM:** Copy the message from the SIM card to the phone or vice-versa.
 - **Move to phone/to SIM:** Move the message from the SIM card to the phone or vice-versa.
 - **Copy all:** Copy all messages from the SIM card to the phone or vice-versa.
 - **Move all:** Move all messages from the SIM card to the phone or vice-versa.
- **Details:** Show message's details (date/time/sender etc.).

"Call history" menu

A new call is shown on the display.

- Press **Back** to delete the message. The icon for a new call appears in the display. You can see this call "normally" in the **Missed calls** list.
- Press **View**, to read the caller's name and number.
- Press **Options**. For further options please refer to the following chapter.

Reading the calls list

- Press **Menu**, select **Call history** and press **OK**.
- Select **Missed calls**, **Dialled calls** or **Received calls** and press **OK**.

In these lists you will have the following options:

Press **Options** and select one of the following options:

- **View**: Read the details.
- **Call**: Call the telephone number.
- **Send message**: Send a message to the phone number.



- **Save to Phonebook:** (only available if there is no respective entry in the phonebook yet) save the entry in the phonebook.
- **Add to Blocklist:** Add the entry to the block list.
- **Edit before call:** Edit the phone number before calling back.
- **Delete:** Delete the entry.

Deleting the calls list

- Press **Menu**, select **Call history** and press **OK**.
- Select **Delete call logs** and press **OK**.
- Select a list to delete **Missed calls**, **Dialled calls**, **Received calls** or **All calls** and press **OK**. Press **Yes** in the following confirmation query.

Further options

- Press **Menu**, select **Call history** and press **OK**.
- Select **Call timers** and press **OK**. The call times for **Last call**, **Dialled calls** and **Received calls** are shown.

Select **Reset all** to reset the call timers. Press **Yes** in the following confirmation query.

- Select **Text msg. counter** and press **OK**. You will see the number of SMS **Sent** and **Received**. Select **Back** (left softkey) to reset the counters. Press **Yes** in the following confirmation query.

"Settings" menu

Tone control

Set the tone for the earpiece/loudspeaker.

- Press **Menu**, select **Settings** -> **Tone control** and press **OK**.
- Select **Normal frequency**, **Low frequency** (increases the lower frequencies) or **High frequency** (increases the higher frequencies) and press **OK**.

Switching Boost on and off

- Press **Menu**, select **Settings** -> **Boost** and press **OK**.
- Select **Boost On** to activate the Boost function permanently or **Boost Off** to deactivate it.

During a call the volume control can be used to adjust the volume level in both Boost ON or OFF modes. See page 25.

Prolonged listening at full speaker volume can cause hearing damage.

Direct numbers

You can assign important phone numbers to the one-touch dialling keys **A**, **B** and **C**.

- Press **Menu**, select **Settings** -> **Direct numbers** and press **OK**.
- Select a one-touch dialling key and press **Edit**.
- Select **Add from Phonebook** to select a phonebook

entry or **Edit number** to enter the phone number manually or to edit the entry.

- Press **OK** to save.

User profiles

In the user profile you can set the general ringtone, the ringtone volume and several other parameters.

- Press **Menu**, select **Settings** -> **User profiles** and press **OK**.
- Select **Customize** to edit the profile. After having done all settings press **Options** -> **Save** -> **Select**.
 - **Alert type:** Select with **4** and **6**, whether an incoming call should be signalled by **Ring only**, **Vib. only**, **Vib. and ring** or **Vib. then ring** (Vib. = vibration).
 - **Ring type:** You can select with **4** and **6** **Beep once**, **Repeat** or **Ascending**.



- **Incoming ...** - Set the ring tone for incoming calls. Press **Options** -> **Change**, select a melody and press **Select**.
- **Ringtone v...** - Adjust the ring tone volume with **4** and **6**.
- **Message** - Set the ring tone for incoming messages. Press **Options** -> **Change**, select a melody and press **Select**.
- **Message v...** - Adjust the message tone volume with **4** and **6**.
- **Keypad** - Select whether the confirmation of a pressed button should be confirmed with a **Click**, a **Tone** or **Human voice** (with a voice prompt when entering a digit).
- **Keytone v...** - Adjust the keytone volume with **4** and **6**.
- **Power on** - Set the tone for powering on the phone.

- **Power off** - Set the tone for powering off the phone.
- **System alert...** - Set with **4** and **6** , whether system alerts should be signalled or not.
- Select **Reset** to reset the profile settings to default.

Call settings

- After pressing **Menu** -> **Settings** -> **Call settings** -> **OK** you have the following options:
 - **Caller ID:** Settings for the transmission of your phone number.
 - **Set by network:** Using the default setting of your provider.
 - **Hide ID:** No transmission of your phone number.
 - **Send ID:** Transmission of your phone number.
 - **Call waiting:** Settings for an incoming call if you are already in a conversation.
 - **Activate:** The second call will generate a short



beep in the earpiece.

- **Deactivate:** The second caller will get the busy tone.
- **Query status:** Information on the current setting.
- **Call divert:** Settings for call diversion.
 - **Divert all voice calls:** You can **Activate** a call diversion for all voice calls **To new number** (enter subsequently a destination) or select **To voicemail**, if you want to divert to your voice mail box. Select **Deactivate** to deactivate a diversion or **Query status** to get information on the current setting.
 - **Divert if unreachable:** Call diversion, if your phone is not available (switched off or "No network"). For information on settings please refer to "Divert all voice calls".
 - **Divert if no answer:** Call diversion, if you do not accept the call. For information on settings please refer to "Divert all voice calls".

se refer to "Divert all voice calls".

- **Divert if busy:** Call diversion, if your phone is busy. For information on settings please refer to "Divert all voice calls".
- **Divert all data calls:** Diversion for all "No voice" calls. For information on settings please refer to "Divert all voice calls".
- **Cancel all divers:** To cancel all call diversions.
- **Call barring:** Barring of incoming or outgoing calls. You can request the barring password from your network provider.
 - **Outgoing calls:** If you select **All voice calls**, no more calls can be dialled. If you select **International voice calls**, no more calls to networks abroad can be dialled. If you select **International voice calls except to home**, only calls to your home country can be made.
 - **Incoming calls:** If you activate **All voice calls** no

more calls will be signalled - You are not available.

The setting **Voice calls when roaming** bars all incoming calls, if you are not in your home land (e. g. abroad on vacation).

- **Cancel all:** Cancel all barrings.
- **Change barring password:** Changing the password for activating/deactivating the call barring. You can request the barring password from your network provider.
- **Advance settings:**
 - **Blocklist:** You can enter a list of phone numbers to be blocked. If you activate this feature calls from phones with the respective numbers will not be signalled any more.
 - **Auto redial:** If the function is activated, phone numbers that were "busy," will be redialled automatically (interval 5 min, max. 5 attempts).

- **Call time reminder:** You can specify whether you want to be alerted during a call by a beep in the earpiece after a certain time of call duration. For **Single** you can set a time up to 3000 sec (= 50 min), for **Periodic** you can set up a time between 30 and 60 s.
- **Reject by SMS:** If this feature is activated you can reject an incoming call by SMS (Incoming call is signalled: **Options** -> **Reject by SMS** -> select a template).
- **Answer mode:** If **Any key** is activated, incoming calls can be taken by any key (except the right softkey and the red end call key). If **Auto answer when headset mode** is activated, an incoming call will be taken automatically if a headset is connected.
If no option is activated an incoming call can only be taken with the green call key.

Phone settings

- Press **Menu**, select **Settings** -> **Phone settings** and press **OK**.
- You have the following options:
 - **Time and date:** In this menu you can **Set time zone**, **Set time/date** and **Set format** (time 24/12h / date (DD MM YYYY/ MM DD YYYY / YYYY MM DD) / Date separator). If you switch on **Update with time zone**, the time will be automatically updated when the time zone changes (see above: **Set time zone**).
 - **Language:** Select a language for the display.
 - **Display**
 - **Wallpaper:** Select a wallpaper for the standby mode.
 - **Screen saver:** Select on **Settings/Status**, whether the screen saver should be on or off and set a time to start (if status is "On"). **Select** offers different pictures.

- **Power on display/Power off display:** Select an animation which should be played when powering the phone on/off.
- **Show date and time:** Select whether the date and time should be displayed on the lock screen.
- **Flight mode:** Switch flight mode on or off. When flight mode is switched on, the telephone's transmission functions will be shut off.
- **Signal LED:** Select whether the indicator LED for charging, incoming calls and new messages should be always active (On), between 8 pm and 8 am off (Night mode) or always deactivated (Off).
- **LCD backlight:** Set the brightness and the duration for the backlight.

Network settings

- Press **Menu**, select **Settings** -> **Network settings** and press **OK**.



- You have the following options:
 - **Network selection:** Select whether the network selection should be automatic or manual (**Selection mode**), start a **New search** or select a network from the list (**Select network**). When **Automatic** is selected the phone tries to connect to your SIM card's provider.
 - **Preferences:** In the preferences list you can change the priority or delete entries.
 - **Service selection:** Choose between GSM (2G), WCDMA (3G) or Automatic (recommended). See also note on page 21.
 - **Network information:** Information about the network/provider currently in use.
 - **GPRS connection:** Select **When needed** or **Always**.
 - **GPRS transfer pref.:** Select **Data prefer** or **Call prefer**.

Security settings

- Press **Menu**, select **Settings** -> **Security settings** and press **OK**.
- You have the following options:
 - **SIM security:**
 - **PIN lock:** You can turn on or off the request for the SIM PIN when the phone is switched on. This is not allowed for some SIM cards/providers.
 - **Change PIN:** You can change the PIN für the SIM card.
 - **Change PIN2:** You can change the PIN2 für the SIM card.
 - **Phone security:**
 - **Phone lock:** Entering the phone lock code you can lock the phone (0000 in delivery state).
 - **Change password:** You can change the phone lock code (0000 in delivery state).

- **Auto keypad lock:** When the automatic keylock is switched on, the keypad will be locked after a pre-set time (5 s, 30 s, 1 min, 5 min) after the last time a key was pressed.

Connectivity

- Press **Menu**, select **Settings** -> **Connectivity** and press **OK**.
- You have the following options:
 - **Bluetooth:**
 - **Power:** Switching the function on or off. You can change the setting with the left softkey.
 - **Visibility:** Select whether your phone is visible for other Bluetooth devices when the Bluetooth function is activated. You can change the setting with the left softkey.
 - **My device:** For connecting the phone to another Bluetooth device with audio profile (e. g. Headset or car kit).

Previously the "Search audio device" and the "pairing" with the device has to be carried out. After selecting the device and **Options** you have the following options:

- **Connect** (with the paired device)
- **Service list**
- **Rename**
- **Authorize:** You can assign an authorisation to a Bluetooth device.

This is practical, e.g. for preventing the constantly repeating query for hands-free systems in the car. To do this, set the authorisation to "Always connect".

- **Delete**
- **Delete all**
- **Search audio device:** After pressing **OK** the phone searches active bluetooth devices. Having found a device this must be paired with the



phone (left softkey: **Pair**).

- **My name:** The Bluetooth name. Can be changed.
- **Advanced:** After pressing **Options** you have the following options:
 - **Audio path:** Determine whether the audio remains on the phone or is routed to a Bluetooth headset.
 - **Storage:** Select the preferred storage (Phone/Memory card/ Always ask).
 - **Sharing permission:** Select **Full control** or **Read only**.
 - **My address:** The phone's Bluetooth address.

Note: If your phone is connected to a Bluetooth hands-free device you must copy your phone book entries from your SIM card to the phone (see page 40) before you can use the hands-free device to call those numbers and to enable the hands-free device to display the caller's name instead of the phone number during a call.)

- **Data account:** Manage up to two data accounts for MMS. In general, the necessary entries are automatically generated based on the SIM card inserted. Contact your network provider for potentially necessary changes.

Restore factory settings

- Press **Menu**, select **Settings** -> **Restore factory settings** and press **OK**.
- Enter the phone lock code (0000 in delivery state) and press **OK**. Press Yes in the following confirmation query.



"Multimedia" menu

Camcorder/Camera

- Press **Menu**, select **Multimedia** -> **Camcorder** and press **OK**. The installed camera will be switched on in picture mode. The current image will be shown on the display.

Hint: The camera can also be switched on by pressing the Boost/camera quick access button on the side.

Left softkey = options menu

B key = take a photo (in video recorder mode: start record)

Right softkey = exit camcorder

In the options menu, you can access the different menu items using the **▲** / **▼** (left/right) keys. Press **A** to change the settings using **▲** / **▼** or **2** and **8**, confirm the settings by pressing the **A** button, and to leave the respective menu, press the **C** button.

- When in camera options menu press **A** to see the following options:
 - **Switch to:** Switch to other applications.
 - **Image size:** Setting the image size (best image: 2 MP).
 - **Adv. Settings**
 - **Storage:** Select whether the images should be saved on the telephone or memory card.
 - **Image quality:** Setting the image quality (best quality: Fine).
 - **Contrast:** Contrast setting.
 - **Time stamp:** When this function is switched on, the date and time will be superimposed on the image.
 - **Shutter sound:** Select the shutter sound.
 - **Anti-flicker:** Settings for anti-flicker.
 - **Restore defaults:** Resetting all options to standard settings.

- When in video recorder options menu press **A** to see the following options:
 - **Switch to:** Switch to other applications.
 - **Record size:** Set the image size for video recordings (best recording resolution: 480x320 (HVGA)).
 - **Record limit:** Set the maximum duration for recordings.
 - **Adv. Settings**
 - **Storage:** Select whether the images should be saved on the telephone or memory card.
 - **Video quality:** Setting the video quality (best quality: Fine).
 - **Contrast:** Contrast setting.
 - **Record audio:** Record the original sound during video recordings.
 - **Anti-flicker:** Settings for anti-flicker.
 - **Restore defaults:** Resetting all options to standard settings.

Gallery

- Press **Menu**, select **Multimedia** -> **Gallery** and press **OK**. A gallery of the available images will be displayed.
- Press **Options**. You have the following options:
 - **View**: Shows the picture with further options:
 - rotate the picture (with **1** and **3**).
 - enlarge the view with **9** or the **volume +** key / reduce the view with **7** or the **volume -** key.
You can shift the section of the image using **4/6/2/8** when viewing an enlarged image.
 - Further options with the **A** key:
 - Play: Starts a slide show.
 - Use as: Use the image as a background image, screen saver, etc.
 - Send: Option for sending the image as an MMS or via Bluetooth.
 - Settings: Set the speed of the slide show.
 - Help: Help text.

- **Browse style:** Select the style (List style/Matrix style).
- **Send:** Option for sending the image as an MMS or via Bluetooth.
- **Use as:** Use the image as a background image, screen saver, etc.
- **Rename:** Change the name of the image.
- **Delete:** Delete the image.
- **Sort by:** Options for sorting the images.
- **Delete all files:** Delete all images.
- **Storage:** Select the storage location for images (telephone/memory card).

Video player

- Press **Menu**, select **Multimedia** -> **Video player** and press **OK**. List of the existing video files.
- Press **Options**. You have the following options:
 - **Play**: Play the video file.
 - Start/Stop with **B**.
 - Back to start with **C**.
 - Fast forward/Rewind (with **4** and **6**).
 - Rotate view (with *****).
 - Setting the volume with the **volume keys + / -**.

Sound recorder

- Press **Menu**, select **Multimedia** -> **Sound recorder** and press **OK**.
- Press **Options**. You have the following options:
 - **New record**: Record an audio file.
 - **List**: List of the existing audio files with additional options:

- **Play:** Play an audio file.
- **Append:** Attach a recording to the current audio file.
- **Rename:** Rename an audio file.
- **Delete:** Delete an audio file.
- **Delete all files:** Delete all audio files.
- **Use as:** Select this audio file as a ringtone.
- **Send:** Send the audio file as a MMS or via Bluetooth.
- **Settings:** Settings for the recordings such as the storage medium (telephone/memory card), file format and audio quality.

"Organizer" menu

Alarm

You can set 5 different alarms, which will sound once, daily or only on certain days.

- Select an entry and press **Edit**.
- Switch the alarm **On** or **Off** using **4** or **6** and press **▼**.
- Enter the alarm time and press **▼**.
- Select **Once**, **Everyday** or **Custom**. Select the day using **4** or **6**, switch on and off using the left softkey **On / Off**. Days on which the alarm is given, are characterised by a yellow frame.
- Under **Snooze (m...** set the time interval in minutes at which the alarm should repeat for the snooze function.
- Select with **Alert type** what kind of alarm should be given (Ring only / Vib. only / Vib. and ring).
- Save your settings with **Done**.
- When the alarm goes off you can switch it off by pressing **Stop**.

Notes

You can enter your own notes here.

"File manager" menu

You can edit the storage media (Phone/Memory card) in this menu. Selecting **Open** displays the respective directory structure and additional editing options are available.

Format formats the respective memory - **ATTENTION:** All content will be irrevocably deleted!



"Services" menu

The items in this menu depend on your network operator.
Please check with your provider for details.

"SOS" menu

This phone is equipped with an emergency call function. You can register up to 5 personal phone numbers for automatic periodic dialling or an emergency phone number for an emergency call centre.

Selecting an emergency call destination

- Press **Menu**, select **SOS** -> **SOS Setting** -> **SOS mode setting** and press **OK**.
- Select **Set 5 numbers**, if you want to call up to five personal emergency call numbers (see below) or **Set call center**, if you want to call an emergency call centre. Select **Off** for deactivating the emergency call function.

Entering emergency call numbers

- Press **Menu**, select **SOS** -> **SOS Setting** and press **OK**.
- Select **Set SOS numbers** -> **OK**, select one of the 5 possible entries and press **Edit**.
- Select **Add from phonebook**, to select a phone number

from the phonebook or **Edit number**, to enter the phone number manually.

or

- Select **Call center number** -> **OK** and enter the desired phone number.

Note: It is forbidden to enter a public emergency number such as police, fire and rescue control centre. It is a purely "private" emergency call.

Select an outgoing emergency voice message

- Press **Menu**, select **SOS** -> **SOS Setting** -> **Set outgoing voice MSG** and press **OK**.
- Select **Default**, to select the default outgoing voice message.

or

- Select **User recorded**, to select a personal outgoing voice message. To use this setting you will have to

record the personal outgoing message before (see below).

Recording a personal emergency voice message

- Press **Menu**, select **SOS -> SOS Setting -> Record SOS MSG** and press **OK**.
- Press **Options**, select **New record** and press **OK**.
- Speak your personal outgoing message to the microphone.
- Stop recording with **Stop**.
- Press **Yes** in the following confirmation query.

Emergency call procedure

Push the SOS switch on the rear side of the phone to the upper position - **SOS** is visible. When the automatic SOS call starts you will hear a siren tone.

When "Set 5 numbers" is set:

- The first phone number will be dialled.
- If the first phone number will not answer the next

phone number will be dialled and so on. All phone numbers (max. 5) will be called one by one subsequently. If you have only set one phone number, the phone will only call that number cyclically. This procedure will be repeated as long as the phone's battery is not empty.

The procedure stops, as soon as the first person answers. The emergency voice message will be played. If the called party press **key “0”** within 10 seconds after your recorded voice playing ended, hands free mode will be activated at your side and you can talk to the called person directly.

- **Note: Please mention explicitly in your personal emergency message, that the called party will have to press key "0" to be able to speak with you. If not, the loop continues. This prevents the emergency loop from terminating, when, for example, an answering machine takes your emergency call.**
- **The emergency loop continues even after an answered emergency call, until you cancel the emergency (push emergency switch down again).**

Cancel the emergency call function

Push the SOS switch on the rear side of the phone in the lower position again.

Appendix

Technical data

Quadband GSM	850 / 900 / 1800 / 1900 MHz
Additional functions	Bluetooth, emergency call function
Battery	Li-Ion, 3.7V, 900 mAh
Maximum earpiece volume	+35 dB
Talk time	up to 3 hours
Standby time	up to 150 hours
Dimensions	126 x 55 x 16 mm
USB connection	Micro USB, EU Standard
Headset connection	3.5 mm jack
SAR values	Head 0.325 W/kg Body 0.756 W/kg

Service hotline

Should problems arise with the telephone, please refer to the following information first. In the event of technical problems, please contact our service hotline under tel. 0844 800 6503 (Using a UK landline, at the time of going to print: calls cost 6p for connection charge and then 5p a minute. Mobile costs may vary.) In the case of claims under the terms of guarantee, contact your sales outlet. There is a 2 year period of guarantee.

Problems and solutions

Problems

Remedy

The mobile phone cannot be switched on.

- No battery inserted.
- Battery is not charged.

The phone is requesting a PUK when I switch on the phone

If you do not have the PUK for your SIM card then contact your service provider

No signal quality is displayed.

No network connection. The mobile phone is in a location where there is no network service. Move to a different location or contact your service provider.

Keypad does not function or only functions very slowly.

The operating speed of the display is reduced in the case of low temperatures. This is normal.

A message appears in the display for some functions, indicating execution/use is not possible.

Some functions can only be used after the respective service has been applied for.
Contact your service provider.

Screen frozen or no response when pressing keys.

Remove the battery for 3 minutes and try again.

No connection to the mobile telecommunication network.

Contact your service provider.

The “Insert SIM” message appears in the display.

Ensure that the SIM card has been installed correctly. Contact your service provider, if necessary.

The battery cannot be charged or is empty within a short time.

- Battery is defective.
- Place the phone correctly in the charging unit or connect the charging unit properly. Clean the contact surfaces on the mobile phone and charging

- unit with a soft, dry cloth.
- Charge the mobile for 4 hours.

Tips on the battery

- Only use batteries, cables and charging unit approved by the manufacturer, otherwise the battery could be damaged.
- Do not short circuit the battery. Always leave the battery in the phone to avoid accidentally short circuiting the battery contacts.
- Keep the battery contacts clean and free of dirt.
- The battery can be charged/discharged hundreds of times but its service life is limited. Replace the battery when the battery power has decreased noticeably.

Intended use

This mobile phone is designed for use when connected to a mobile phone network. Any other use is considered unintended use. Unauthorised modification or reconstruction is not permitted. Under no circumstances open the device or complete any repair work yourself.

Areas of use

- Do not use the phone in prohibited areas.
- Switch the phone off in the vicinity of medical equipment (e.g. in hospitals).
- Do not use the phone in petrol stations or near fuels and chemicals.
- Check with the airline whether mobile phones may be used on board.

Safety Information

- Prevent exposure to smoke, dust, vibration, chemicals, moisture, heat and direct sunlight. The phone is not waterproof; therefore, keep it dry. Liquids will change the colour of a label that indicates water damage inside the device. Water damage to your device can void your manufacturer's warranty.
- Only use original accessories and batteries. Never attempt to connect other products.
- If you want to connect the phone to another device, read the manual supplied with that device with regard to any detailed safety information.
- Never attempt to connect incompatible products.
- Repairs to this device may only be completed by qualified service personnel.
- All mobile communication equipment is subject to interference which may impair its performance.
- Keep the phone and accessories out of the reach of children.

Helpline 0844 800 6503

(See page 90 for costs and hours of operation)

- The SIM card can be removed. Caution! Small children can swallow them.
- The ringing tone is issued via the loudspeaker. Take an incoming call first and then hold the phone to your ear. This prevents any possible hearing damage.
- Only use the phone while driving or riding a transport vehicle in road traffic when using the approved hands-free equipment and appropriately positioned holders. Ensure that no safety-related functions are interfered with when operating the phone. It is essential to observe the applicable national laws and regulations.
- Always maintain a distance of at least 15 cm to implanted heart pacemakers to prevent any possible interference. If you have had a pacemaker implanted, do not carry the phone in a breast pocket when switched on. Always hold the phone to the ear furthest away from the pacemaker during calls. Switch the phone off immediately if you notice or suspect any adverse effects.

- This phone is hearing aid compatible. If you wear a hearing aid, however, please contact your doctor or the hearing aid manufacturer to inquire about any possible impairments through mobile communication equipment.
- Do not rely on the mobile phone as a safeguard for emergencies. For a variety of technical reasons, it is not possible to guarantee a reliable connection under all circumstances.

Power adapter plug



- Energiesparend
- Economisant l'énergie
- A risparmio di energia
- Energy efficient

The power adapter plug supplied fulfills the ecodesign requirements of the European Community (Directive 2005/32/EC). This means that the current consumption is considerably less, both in operation as well as in standby, in comparison to older power adapter plug models.

Disposal

In order to dispose of your device, take it to a collection point provided by your local public waste authorities (e.g. recycling centre). According to laws on the disposal of electronic and electrical devices, owners are obliged to dispose of old electronic and electrical devices in a separate waste container. The symbol indicates that the device must not be disposed of in normal domestic waste!



Batteries represent a hazard to health and the environment!

Never open, damage or swallow batteries or allow them to pollute the environment. They may contain toxic, ecologically hazardous heavy metals. You are legally obliged to dispose of power packs and batteries at the point of sale or in the corresponding containers provi-

ded at collection points by local public waste authorities.

Disposal is free of charge. The symbols indicate that the batteries must not be disposed of in normal domestic waste and that they must be brought to collection points provided by local public waste authorities.



Packaging materials must be disposed of according to local regulations.



Declaration of Conformity

This device fulfils the requirements stipulated in the EU directive: 1999/5/EU directive on radio equipment and telecommunications terminal equipment and the mutual recognition of their conformity.

Conformity with the above mentioned directive is confirmed by the CE mark on the device. To view the complete Declaration of Conformity, please refer to the free download available on our web site **www.amplicomms.com**

Maintenance

- Clean the housing surfaces with a soft, fluff-free cloth. Do not use any cleaning agents or solvents.

Guarantee

AMPLICOMMS equipment is produced and tested according to the latest production methods. The implementation of carefully chosen materials and highly developed technologies ensure trouble-free functioning and a long service life. The terms of guarantee do not apply when a device malfunction was caused by the mobile telecommunications network operator/provider. The terms of guarantee do not apply to the batteries or power packs used in the products. The period of guarantee is 24 months from the date of purchase.

All deficiencies related to material or manufacturing errors within the period of guarantee will be redressed free of charge. Rights to claims under the terms of gua-

rantee are annulled following tampering by the purchaser or third parties.

Damage caused as a result of improper handling or operation, normal wear and tear, incorrect positioning or storage, improper connection or installation or Acts of Gods and other external influences are excluded from the terms of guarantee. In the case of complaints, we reserve the right to repair defective parts, replace them or replace the entire device.

Replaced parts or devices become our property. Rights to compensation in the case of damage are excluded where there is no evidence of intent or gross negligence by the manufacturer.

If your device shows signs of defect during the period of guarantee, please return it to the sales outlet in which you purchased the AMPLICOMMS device together with the purchase receipt. All claims under the terms of guarantee in accordance with this agreement can only be asserted at

the sales outlet.

No claims under the terms of guarantee can be asserted after a period of two years from the date of purchase and hand-over of the product.

Index

2G/3G network	21
3-party conference	35

A

Alarm	81
Alert type	58
Answer mode	64
Areas of use	94
Auto keypad lock	69
Auto redial	63

B

Battery status	14
Blocklist	63
Bluetooth	69
Boost	56

C

Calculator	80
Calendar	80
Call barring	62
Call divert	61
Call history	54
Call settings	60
Call time reminder	64
Call waiting	60
Caller ID	60
Calling	31
Calls list	32, 54
Camcorder/Camera	73
Cancel the emergency call function	88
Change PIN	68
Charging the battery	12
Charging via the mini USB charging socket	13
Checking the memory status	36

Connectivity 69

D

Data account..... 72

Declaration of Conformity..... 99

Desktop charging unit 13

Dialling a phone number 31

Direct numbers..... 57

Display..... 65

Disposal..... 98

E

Emergency call destination 84

Emergency call numbers 84

Emergency call procedure 86

Emergency voice message..... 85

Ending a call 16

Entering text 28

F

File manager.....	83
Flight mode.....	66

G

Gallery.....	76
Guarantee.....	100

H

Hands-free.....	34
-----------------	----

I

Icons in the display.....	26
Installing the SIM card, SD card and battery.....	10
Intended use.....	94

L

Language.....	16, 65
LCD backlight.....	66

M

Maintenance	100
Making a call	16
Memory status	36
Message settings	46
Messages	44
Messages menu	44
Mini USB charging socket	13
MMS	44, 72
Multimedia	73
Multimedia message settings	48
Multimedia messages	44
Multitap mode	29
Muting the microphone	35

N

Network information	67
Network selection	67

Network settings 67

O

One-touch dialling 31, 41

Organizer..... 80

P

Personal emergency voice message..... 86

Phone lock..... 68

Phone security 68

Phonebook 36

PIN lock 68

Power adapter plug 97

Power on display/Power off display 66

Problems and solutions 90

Q

Questions and Answers 17

Quick Glance..... 8

Quick Start Guide	8
-----------------------------	---

R

Range of your Network	15
Reading/deleting messages	51
Redial	32
Reject by SMS	64
Rejecting a call	16
Restore factory settings	73
Ringtone	59

S

Safety Information	95
Screen saver	65
Security	68
Service hotline	90
Service message settings	49
Services	83
Settings	56

Signal LED.	66
SIM security	68
Smart text input	28
SMS	44
SMS center number	46
SOS	84
Sound recorder	78
Special key functions.	22
Speed dialling.	31, 40
Switching the mobile phone on and off	14, 30
T	
Taking a call	16, 32
Tasks	81
Technical data.	89
Text messages	44
Time and date.	16, 65
Tips on the battery	93

Tone control 56

U

User profiles 58

V

Video player 78

Volume 34

Volume control 25

W

Wallpaper 65

What is in the box 10

Writing and sending a SMS 50

Menu tree

Messages

Write message

Inbox

Drafts

Outbox

Sent messages

Archive

Delete messages

Broadcast messages

Templates

Message settings

Text message

Profile settings

Voicemail server

Common settings

Delivery report

Reply path

Save sent message

Memory status

Preferred storage

Preferred connection

Multimedia message

Data account

Primary account

Secondary account

Common settings

- Compose
- Sending
- Retrieval
- Preferred storage
- Memory status

Service message

- Enable push
- Enable service loading
- Enable white list
- Enable block list
- White list
- Block list

Phonebook (Options)

- View
- Add new contact
- Send message
- Call
- Edit
- Delete
- Copy
- Move
- Add to block list
- Mark several
- Caller groups
- Phonebook settings
 - Preferred storage
 - Speed dial
 - My number

- Extra numbers
- Memory status
- Copy contacts
- Move contacts
- Delete all contacts

Call history

- Missed calls
- Dialled calls
- Received calls
- Delete call logs
- Call timers
- Text msg. counter

Settings***Tone Control******Boost******Direct numbers******User profiles******Call settings***

- Caller ID
- Call waiting
- Call divert
- Call barring
- Advanced settings
 - Blocklist
 - Auto redial
 - Call time reminder
 - Reject by SMS
 - Answer mode

Phone settings

Time and date

Language

Display

Wallpaper

Screen saver

Power on display

Power off display

Show date and time

Flight mode

Signal LED

LCD backlight

Network settings

Network selection

Preferences

Service selection

Network information

GPRS connection

GPRS transfer pref.

Security settings

- SIM security
 - PIN lock
 - Change PIN
 - Change PIN2
- Phone security
 - Phone lock
 - Change password
- Auto keypad lock

Connectivity

- Bluetooth
 - Power
 - Visibility
 - My device
 - Search audio device
 - My name
 - Advanced
 - Audio path
 - Storage
 - Sharing permission
 - My address
- Data account

Restore factory settings

Multimedia	<i>Camcorder</i> <i>Gallery</i> <i>Video player</i> <i>Sound recorder</i>
Organizer	<i>Alarm</i> <i>Notes</i>
File manager	<i>Phone</i> <i>Memory card</i>
Services	(depending on network provider)
SOS	<i>SOS setting</i> SOS mode setting Set SOS numbers Call center number Set outgoing voice MSG <i>Record SOS MSG</i>



Audioline GmbH
D-41460 Neuss
08/2014 – Edition 1.0

