

260.00 mm

65.00 mm


120.00 mm


Lock Screen

Press at any time and the phone will lock and enter standby mode.

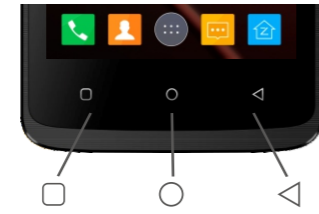
Home screen

You can tap the icons to open the corresponding applications. You can also swipe left and right to see more applications.





Button



- Recent Apps button : Displays recently used applications
- Home Button : Return to home screen
- Back Button : Return to previous screen

Applications Menu

You can enter the applications menu from the home screen by pressing .

Start Applications

In the applications menu, tap the app you want.

Dial

Press then search contacts or enter the phone number then press to dial out. If you want to delete the number, press .

End calls

Press during the call.

Messages (SMS/MMS)

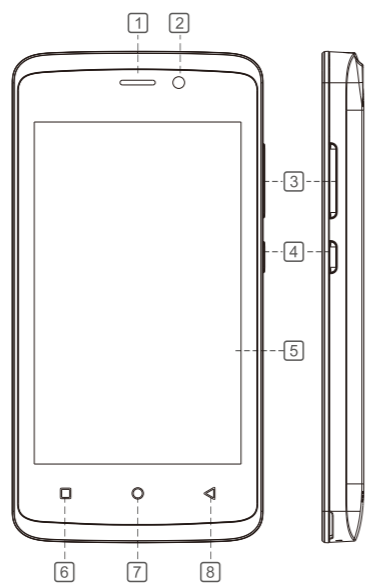
Sending

1. Press to enter the messaging app.
2. Press to create a new message.
3. Press to add one or more contacts.
4. Press to insert pictures, audio and video.
5. Press to send your message.

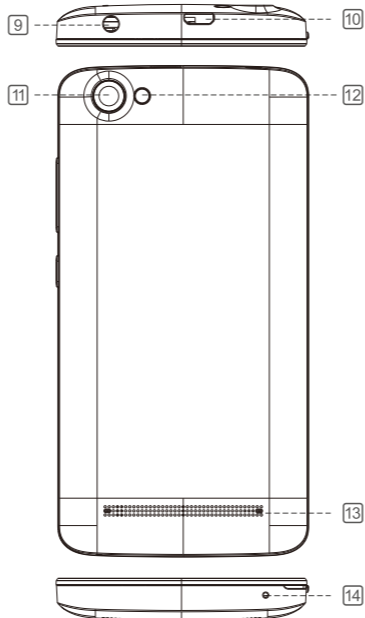
Color M4

Color M4i

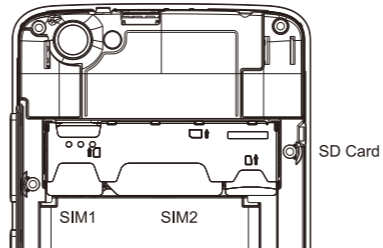
Quick Guide



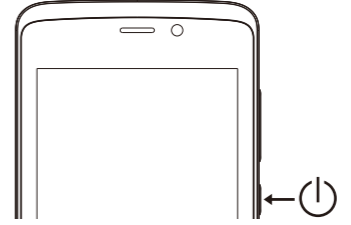
- 1 Receiver
- 2 Front camera
- 3 Volume buttons +/-
- 4 Power button
- 5 LCD screen
- 6 Menu
- 7 Home
- 8 Back



- 9 Headset jack
- 10 USB jack
- 11 Rear camera
- 12 Flash
- 13 Speaker
- 14 Microphone



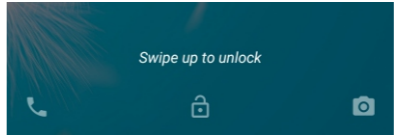
Power On



1. Press and hold the power button until the screen turns on.
2. Wait a few seconds for the phone to power on.

Unlock and Lock screen

Unlock



Press and swipe up on screen to unlock.