

SAMSUNG

GSM TELEPHONE

GT-B7300B

SERVICE *Manual*

GSM TELEPHONE



CONTENTS

1. Safety Precautions
2. Specification
3. Product Function
4. Array course control
5. Exploded View and Parts List
6. Main Electrical Parts List
7. Block Diagrams
8. PCB Diagrams
9. Flow Chart of Troubleshooting
10. Reference data
11. Disassembly and Assembly instructions

6. MAIN Electrical Parts List

SEC CODE	Design LOC	Discription
0401-001144	D400	SUD492H
0403-001688	ZD401	USFZ5.6V-RTK/H
0404-001089	ZD605	RB551V-30
0404-001172	D300	RB520S-30
0404-001317	D600	1PS79SB10
0406-001231	D500,D501,D502,D503	DF2S5.6FS(TPL3)
0406-001231	D504,D505,D700,D701	DF2S5.6FS(TPL3)
0406-001231	D702,D704,D705,ZD400	DF2S5.6FS(TPL3)
0406-001231	ZD702,ZD705,ZD714	DF2S5.6FS(TPL3)
0406-001267	ZD604	RCLAMP0521P
0406-001369	U608	RCLAMP3654P.TCT
0406-001375	D602,D603,D604	UCLAMP0501T
0504-001138	Q600	DTA114EM
0505-002088	TR300,TR400	2SK3541
0505-002268	U701,U702	NTJD4001NT1G
0601-001905	LED700	SSC-THBTGFR421
0801-003016	U302	NC7SV08L6X
0801-003022	U100	NC7SV04L6X
0801-003200	U304	NC7SZ00L6X
0801-003265	U300	74AUP1G74GM
0801-003271	U800	74AUP2G08GM
0902-002440	UCP800	SC36410A8N-A040
1001-001394	U400	NLAS5123MNR2G
1001-001461	U600	NLAST9431
1001-001483	U703	FSUSB31L8X
1001-001580	U601	FSA9480UCX
1003-002047	U605	ISA1000
1003-002185	U301,U801,U802	NLSV1T34AMX1TCG
1201-002856	U200	ALM-1712-SG1
1201-002864	U501	MAX9877AERP-T
1201-002887	PAM103	SKY77188
1201-002889	PAM101	SKY77186
1201-002961	PAM100	TQM7M5012H
1203-003924	U402	XC61CN3202NR
1203-004043	U606	XC6401FF35ER
1203-004571	U603	RP150K002A-TR
1203-004606	U202	XC6401EE23DR
1203-004806	U500	RP100K281D-TR
1203-004845	U607	TPS61161DRVR
1203-004925	U203	RP103K301D-TR
1203-005250	U604	MIC5335-MGYMT
1203-005434	U401	MAX8674EWN+
1203-005667	U404	MAX8698EWO-T

Main Electrical Parts List

SEC CODE	Design LOC	Discription
1203-005689	U403	MAX8844YETD-T
1204-003026	U201	SI4709-B-GMR
1205-003297	U101	RTR6285
1205-003467	U303	AAT4285IJS-3-T1
1205-003726	UCP300	MSM6246
1205-003916	U502	AK4671EG-L
1209-001823	U700	KXSD9-2042
1404-001221	TH300,TH800	NCP15WB473J04RC
2007-000138	R100	RC1005J101CS
2007-000139	R108,R109	RC1005J221CS
2007-000140	R202	RC1005J102CS
2007-000149	R513	RC1005J123CS
2007-000162	R700,R820,R823	RC1005J104CS
2007-000170	R815	RC1005J105CS
2007-001119	R505	RC1005J681CS
2007-001285	R118	ERJ2GEJ5R6X
2007-001290	R107,R121,R122	RC1005J240CS
2007-001291	R104	RC1005J300CS
2007-001295	R702,R703	RC1005J390CS
2007-001298	R123,R603,R604	RC1005J510CS
2007-001307	R105,R106,R701	RC1005J181CS
2007-001339	R613	RC1005J184CS
2007-003014	R400	TSR16GJ244V
2007-003022	R120	TSR16GJ620V
2007-007107	R423	RC1005F1003CS
2007-007132	R418	RC1005F153CS
2007-007139	R313,R314,R819,R822	MCR01MZP5F4702
2007-007309	R116	MCR01MZP5F1202
2007-007313	R504	RK73H1ETP6801F
2007-007317	R103	RK73H1ETP2201F
2007-007318	R416	MCR01MZP5F1001
2007-007480	R405	RK73H1ETP1303F
2007-007529	R315	RK73H1ETP9102F
2007-007698	R403	RK73H1ETP5101F
2007-007741	R503	M5534204B10E0R
2007-007798	R614	RC1005F0100CS
2007-007943	R607	RK73H1ETP5603F
2007-008045	R101,R306,R308,R329	ERJ1GEJ101C
2007-008045	R332,R333,R426,R602	ERJ1GEJ101C
2007-008045	R615,R704,R806,R812	ERJ1GEJ101C
2007-008045	R813,R814	ERJ1GEJ101C
2007-008049	R307	MCR006YZPJ202
2007-008052	R411,R412,R502,R811	ERJ1GENJ472X

SEC CODE	Design LOC	Discription
2007-008052	R816,R817,R824,R825	ERJ1GENJ472X
2007-008052	R836,R837	ERJ1GENJ472X
2007-008055	R102,R204,R206,R207	ERJ1GENJ104X
2007-008055	R312,R321,R327,R331	ERJ1GENJ104X
2007-008055	R406,R414,R415,R417	ERJ1GENJ104X
2007-008055	R422,R805,R808,R809	ERJ1GENJ104X
2007-008055	R810,R832,R833,R834	ERJ1GENJ104X
2007-008055	R835,R838,R839,R841	ERJ1GENJ104X
2007-008055	R842,R843,R844,R845	ERJ1GENJ104X
2007-008055	R848	ERJ1GENJ104X
2007-008117	R419	ERJ2RKF2701X
2007-008419	R110,R111,R112,R113	ERJ1GEJ102C
2007-008419	R125	ERJ1GEJ102C
2007-008420	R309,R328	RMC-1/20-330JPA
2007-008516	R201,R303,R304,R408	ERJ1GEJ103C
2007-008516	R420,R421,R605,R800	ERJ1GEJ103C
2007-008516	R801,R803,R804	ERJ1GEJ103C
2007-008588	R826,R827	MCR006YZPJ222
2007-008766	R326	ERJ2RKF6041X
2007-008774	R616,R617,R618	ERJ1GEJ2R2C
2007-008798	R829,R830	MCR006YZPJ153
2007-009084	R205,R316	MCR006YZPJ105
2007-009115	R310	RC0603J240CS
2007-009155	R407,R410	MCR006YZPJ474
2007-009157	R413,R818	MCR006YZPF1003
2007-009158	R404	MCR006MZPF1503
2007-009170	R520	MCR006YZPJ184
2007-009171	R305	MCR006YZPJ513
2007-009402	R506	RC0603F152CS
2007-009866	R409	MCR006YZPF2003
2007-009954	R401	MCR006YZPF6802
2007-009964	R831	MCR01MZP5F44R2
2007-010030	R828	MCR01MZP5F6491
2203-000233	C1120,C1121,C131	GRP1555C1H101J
2203-000233	C141,C143,C234,C400	GRP1555C1H101J
2203-000233	C425	GRP1555C1H101J
2203-000254	C100,C107,C823	GRP155R71C103K
2203-000278	C1106,C531	GRP1555C1H100D
2203-000359	C415	GRP1555C1H151JD01E
2203-000386	C554,C606,C822,C824	GRP1555C1H150J
2203-000438	C102,C105,C108	GRP155R71H102K
2203-000550	C1107	GRP1555C1H200JZ01E
2203-000627	C1127,C228	GRM1555C1H220J

Main Electrical Parts List

SEC CODE	Design LOC	Discription
2203-000679	C1101,C1109	GRP1555C1H270J
2203-000696	C1116,C1122	GRP1555C1H2R0C
2203-000725	C613	GRP155R71H392KA01E
2203-000812	C104,C1103,C133,C134	GRP1555C1H330J
2203-000812	C138,C167,C215,C540	GRP1555C1H330J
2203-000812	C542,C544,C546,C548	GRP1555C1H330J
2203-000812	C549,C550,C620,C621	GRP1555C1H330J
2203-000812	C622	GRP1555C1H330J
2203-000854	C113	GRP1555C1H390J
2203-000995	C103,C551	GRP1555C1H470J
2203-001017	C123	GRP1555C1H4R0C
2203-001153	C144,C148,C555,C607	GRP1555C1H680J
2203-001153	C625,C626	GRP1555C1H680J
2203-001259	C541,C543	GRP1555C1H8R0DZ01E
2203-002677	C111	CL05CR75BBNC
2203-002709	C829	C1005Y5V1C104ZT
2203-003054	C603,C604,C605	GRP1555C1H9R0C
2203-005050	C238	GRP1555C1H1R8CZ01E
2203-005053	C218,C219	GRP1555C1H3R9CZ01E
2203-005057	C197	GRP1555C1H8R2CZ01E
2203-005138	C830	04025C182KAT2A
2203-005234	C1131,C237	GRP1555C1H1R2CZ01E
2203-005288	C235	GRP1555C1H1R0BZ01E
2203-005382	C119	GRP1555C1H6R0BZ01E
2203-005395	C121,C122,C137	C1005CG1H4R7BT
2203-005446	C118	GRP1555C1H2R7BZ01E
2203-005450	C1117,C196	GRP1555C1H5R6BZ01E
2203-005682	C110,C114,C166,C302	GRP0335C1E330JD01E
2203-005682	C538	GRP0335C1E330JD01E
2203-005683	C706,C707	GRP0335C1E8R0DD01E
2203-005725	C1118,C1130,C155	GRP0335C1E220JD01E
2203-005725	C162,C173,C176,C178	GRP0335C1E220JD01E
2203-005725	C182,C183,C184,C185	GRP0335C1E220JD01E
2203-005725	C186,C191,C703	GRP0335C1E220JD01E
2203-005736	C1110,C153,C160,C161	GRP0335C1E101JD01E
2203-005736	C188,C193	GRP0335C1E101JD01E
2203-005740	C206,C207	GRM0335C1E5R0C
2203-005806	C129,C190,C199,C308	GRP033R71C102KD01E
2203-005806	C313	GRP033R71C102KD01E
2203-006048	C106,C1123,C1128	GRM155R71A104K
2203-006048	C700	GRM155R71A104K
2203-006137	C507,C508	CL05B223KONC
2203-006190	C614	GRM155R60J224KE01E

SEC CODE	Design LOC	Discription
2203-006194	C1114,C189,C330,C331	GRP033R70J103KA01E
2203-006194	C332,C402,C409,C411	GRP033R70J103KA01E
2203-006194	C520,C803	GRP033R70J103KA01E
2203-006257	C609	GRM155R60J474KE19E
2203-006260	C509,C514	GRM155R61A224KE19E
2203-006305	C201,C211	CM03CG100J25AH
2203-006348	C617	CV105X5R105K25AT
2203-006379	C510	GRP033R70J472KA01
2203-006399	C305,C306,C312,C316	GRM155R60J105KE19D
2203-006399	C321,C327,C328,C335	GRM155R60J105KE19D
2203-006399	C340,C408,C410	GRM155R60J105KE19D
2203-006423	C101,C1111,C115,C154	GRM33X5R104K6.3
2203-006423	C156,C177,C187,C194	GRM33X5R104K6.3
2203-006423	C304,C309,C311,C317	GRM33X5R104K6.3
2203-006423	C318,C326,C329,C333	GRM33X5R104K6.3
2203-006423	C334,C336,C338,C404	GRM33X5R104K6.3
2203-006423	C417,C418,C446,C504	GRM33X5R104K6.3
2203-006423	C505,C513,C800,C801	GRM33X5R104K6.3
2203-006423	C804,C806,C807,C808	GRM33X5R104K6.3
2203-006423	C809,C810,C811,C812	GRM33X5R104K6.3
2203-006423	C813,C814,C815,C816	GRM33X5R104K6.3
2203-006423	C817,C818,C819,C820	GRM33X5R104K6.3
2203-006423	C821,C827,C828	GRM33X5R104K6.3
2203-006462	C303	GRM033R60J333K
2203-006556	C537	GRM0335C1E470JD01D
2203-006562	C205,C214,C422,C423	CV05X5R105K10AH
2203-006562	C436,C437,C438,C439	CV05X5R105K10AH
2203-006562	C441,C442,C443,C502	CV05X5R105K10AH
2203-006562	C515,C518,C519,C525	CV05X5R105K10AH
2203-006562	C547,C553,C610,C611	CV05X5R105K10AH
2203-006562	C615,C616,C618	CV05X5R105K10AH
2203-006626	C826	GRM155R61A334KE15D
2203-006642	C128,C198	GRM033R71E331KA01D
2203-006647	C704	GRM033R60J473KE19D
2203-006668	C300	GRM033R61A222K
2203-006681	C435,C705	GRM155F51E104ZA01D
2203-006707	C535	GRM0335C1E4R7C
2203-006824	C341,C406,C427,C428	CV105X5R475K10AT
2203-006824	C429,C431,C432,C445	CV105X5R475K10AT
2203-006824	C517	CV105X5R475K10AT
2203-006839	C414,C506	CL03A104KP3NNNC
2203-006841	C434,C521,C522,C523	CV05X5R105K16AH
2203-006841	C524,C526,C527,C528	CV05X5R105K16AH

Main Electrical Parts List

SEC CODE	Design LOC	Discription
2203-006841	C529,C530,C532,C533	CV05X5R105K16AH
2203-006841	C802	CV05X5R105K16AH
2203-006872	C202,C210,C212,C213	GRM155R60J225ME15D
2203-006872	C223,C307,C419,C420	GRM155R60J225ME15D
2203-006872	C421,C440,C444,C503	GRM155R60J225ME15D
2203-006872	C512	GRM155R60J225ME15D
2203-007210	C511	CV03X5R224K06AH
2203-007271	C208,C221,C222,C405	CL05A225KP5NSNC
2203-007271	C407,C412,C413,C433	CL05A225KP5NSNC
2203-007279	C117,C130,C147,C209	CV105X5R106M10AT
2203-007279	C403,C500,C501,C601	CV105X5R106M10AT
2203-007317	C1102,C401,C416,C426	CV05X5R475M06AH
2203-007317	C805	CV05X5R475M06AH
2404-001474	TA400	F951A476MPALZTQ2
2404-001506	TA500	TCTP1A476M8R-D
2703-001178	L116	LL1005-FH3N3S
2703-001723	C112	LL1005-FH33NJ
2703-001733	L118	LL1005-FH8N2J
2703-001747	L108	LL1005-FH4N7S
2703-001748	L109,L125	LL1005-FH5N6S
2703-001752	C1105	LL1005-FH39NJ
2703-001786	C1129	LL1005-FH10NJ
2703-001990	L104,L107	LL1005-FH22NJ
2703-002170	L123,L124	CIH05T6N8JNC
2703-002176	L112,L113	CIH05T2N7SNC
2703-002199	L110	CIH05T12NKNC
2703-002200	L102,L103,L117,L119	CIH05T18NJNC
2703-002200	L126	CIH05T18NJNC
2703-002203	L120	CIH05T15NJNC
2703-002204	L106	CIH05T22NJNC
2703-002207	L121,L200	CIH05T3N3SNC
2703-002208	L114	CIH05T2N2SNC
2703-002314	L105	CIH05T47NJNC
2703-002767	L605	VLF3010AT-220MR33
2703-002842	L122	LLV0603-F2N2S
2703-002955	L700,L701,L702,L703	MLG0603S33NJT
2703-002961	L101	MLG0603SR10JT
2703-003205	L603,L604	LQG15HS82NJ02
2703-003260	L400,L401,L402,L403	CIG21W2R2MNE
2703-003260	L404,L405	CIG21W2R2MNE
2703-003534	L602	LQM21PNR47MC0D
2801-004543	OSC800	DSX321G(12MHZ,10PPM)
2801-004589	OSC201	SQ2D02600B2JCG

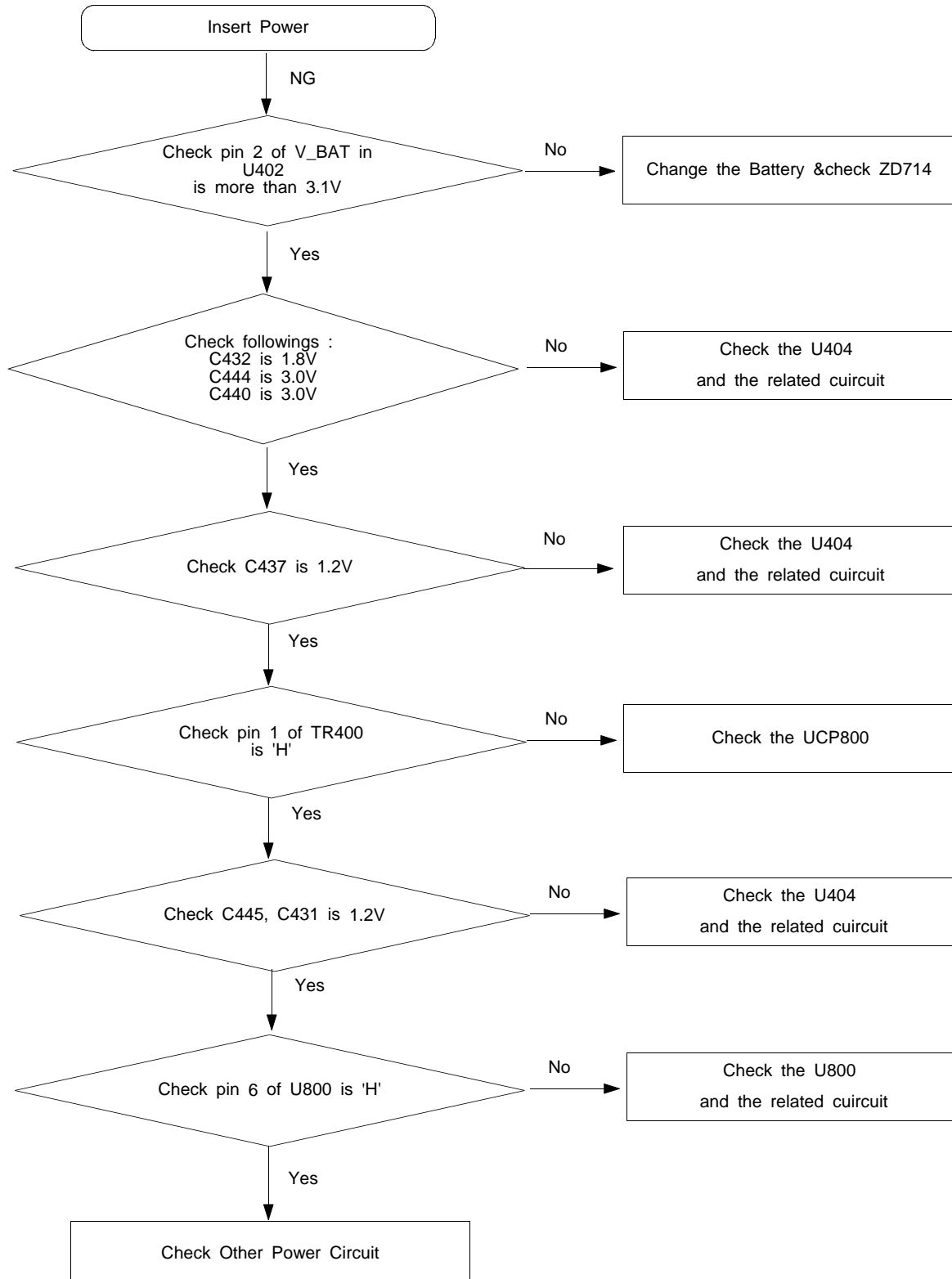
SEC CODE	Design LOC	Discription
2801-004749	OSC200	FA-128(38.4MHZ,10PPM)
2804-001700	OSC400	SG-3040LC(32.768KHZ)
2804-001796	OSC500	CSC3M192000EEVRS00
2804-001845	OSC801	CSC6S480000BEVRS00
2809-001345	OSC100	KT3225P19200ACW28ZN0
2901-001361	F701,F702,F703	ICVE31056E250R101FR
2901-001409	F707	ICVE10054E250R101FR
2901-001470	F704,F705,F706	ICVE10184E070R100FR
2901-001525	F700	ICVE10184E150R101FR
2901-001552	F501	EMIF06-MSD01C2
2904-001756	F104	SAFEB2G14FA0F00
2904-001789	F101	FAR-F6KA-1G9500-D4DGHZ
2904-001898	F103	FAR-F5KA-836M50-D4DF
2910-000068	DUF102	SAYFP836MCA0F00
2910-000070	DUF100	SAYFP1G95AA0B00
2911-000128	F100	LMSP43QL-771
3003-001138	MIC500	SPU0410LR5H-QB
3301-001729	L600,L601	BLM15AG102SN1D
3301-001756	L100,L202,L501	BLM15HG102SN1D
3301-001885	L502,L606	BLM15HD182SN1D
3301-001901	L201	BLM18EG221SN1D
3404-001303	TAC700,TAC701,TAC702	LS12K2-T
3404-001303	TAC703,TAC704,TAC705	LS12K2-T
3705-001503	RFS100	KMS-560
3708-002236	HDC704	FPC/FFC/PFF12-12A-R12BN-D3
3709-001580	CD500	MS110-C10B-C16-H
3711-005345	HDC703	14-5602-020-000-829
3711-005578	HDC500	14-5602-016-000-829
3711-005728	HDC702	AXK8L30125S
3711-006352	HDC701	AXK8L44125S
3711-006803	BTC400	202-02760-00347
3722-002919	IFC600	HY07-AB0750
4202-001463	ANT201	ODBTP3015
4302-001181	BAT400	ML414RU2-TT36-TP1
4709-001662	MOD200	SWB-M20
GH70-05184A	SC301	SHIELDKAN-WM-A
GH70-05584A	SC300	SHIELDKAN-WM-B
GH71-08731A	ANT100,ANT101,ANT202	HJ-ICT-05

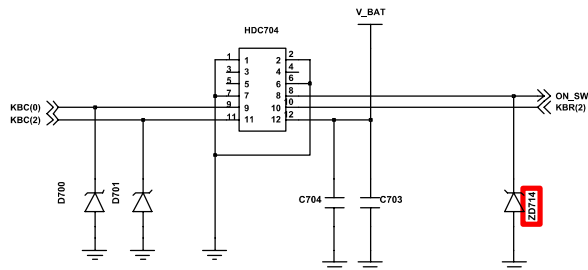
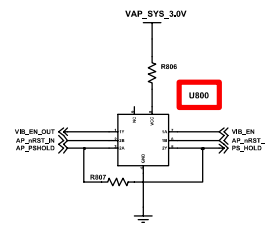
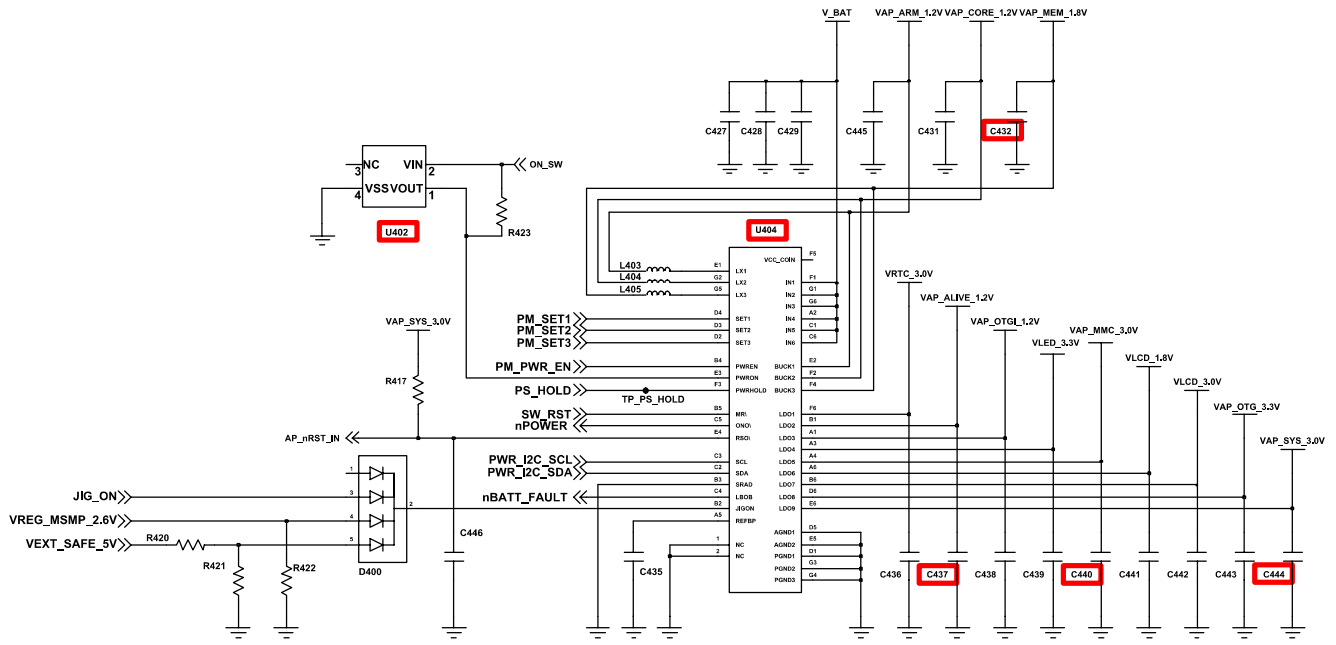
Please consult the GSPN website (Samsung Portal) for the most recent version of the product's part list.

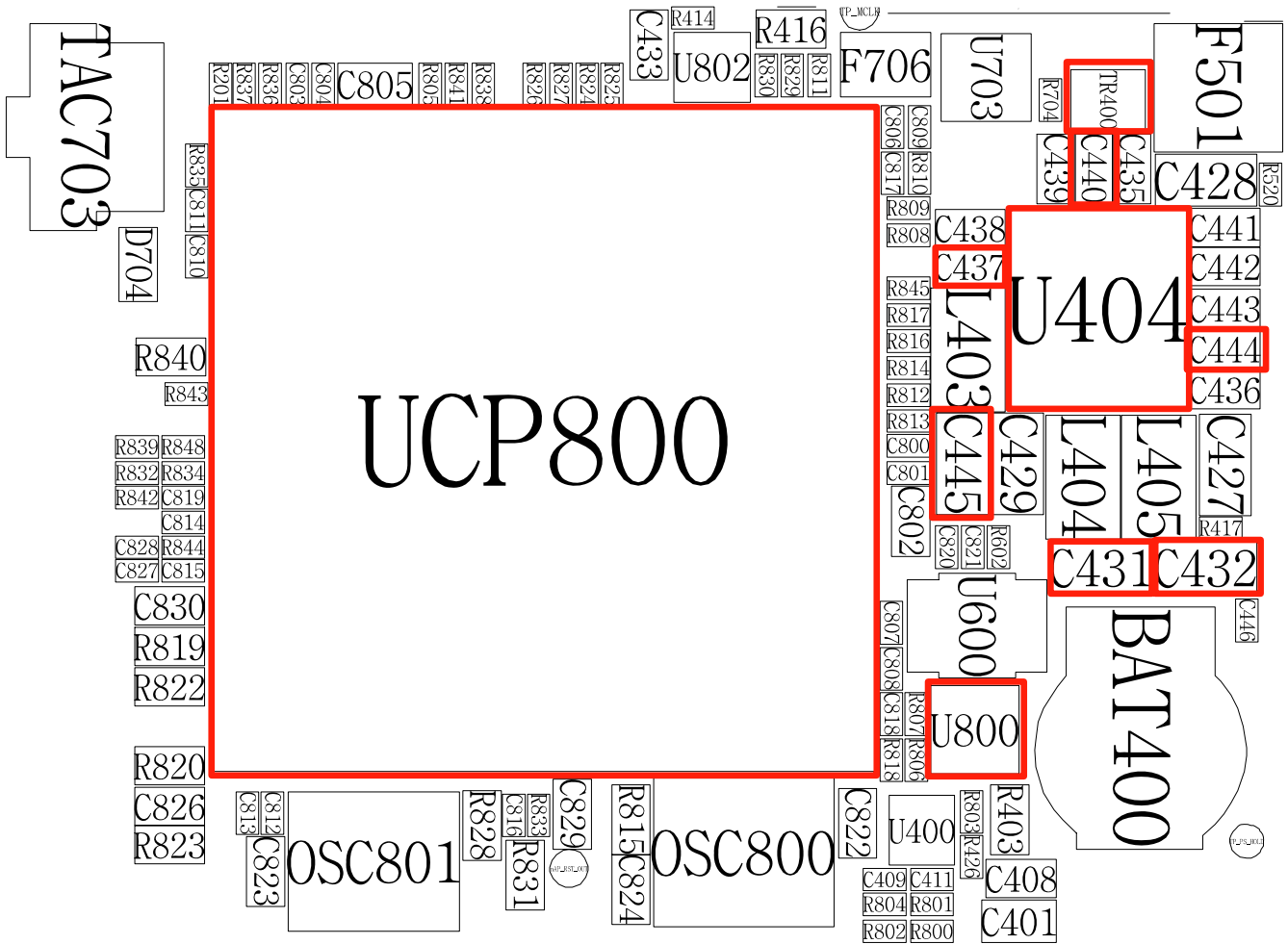
9. Flow Chart of Troubleshooting

9-1. Power On

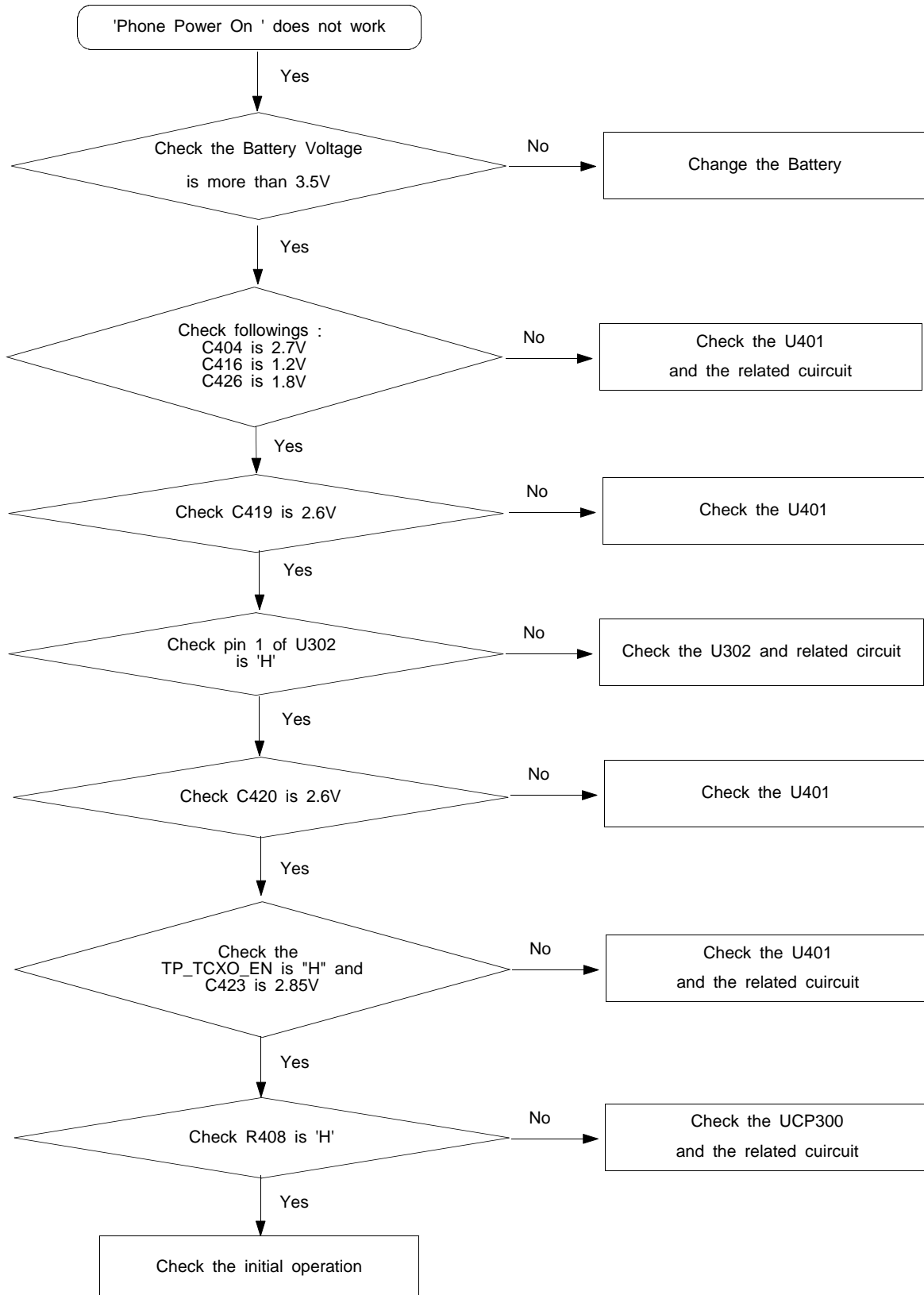
9-1-1. PDA Part

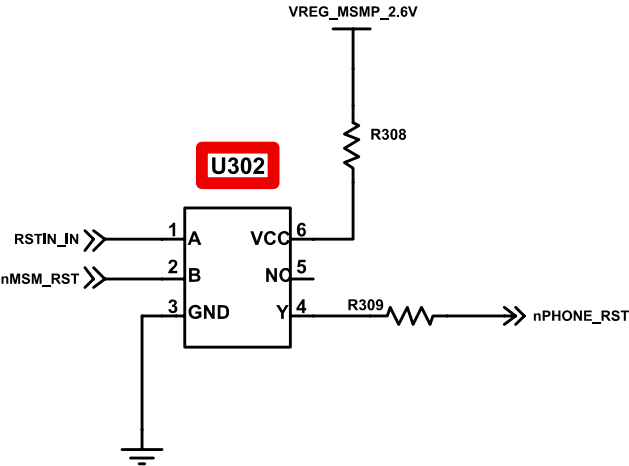
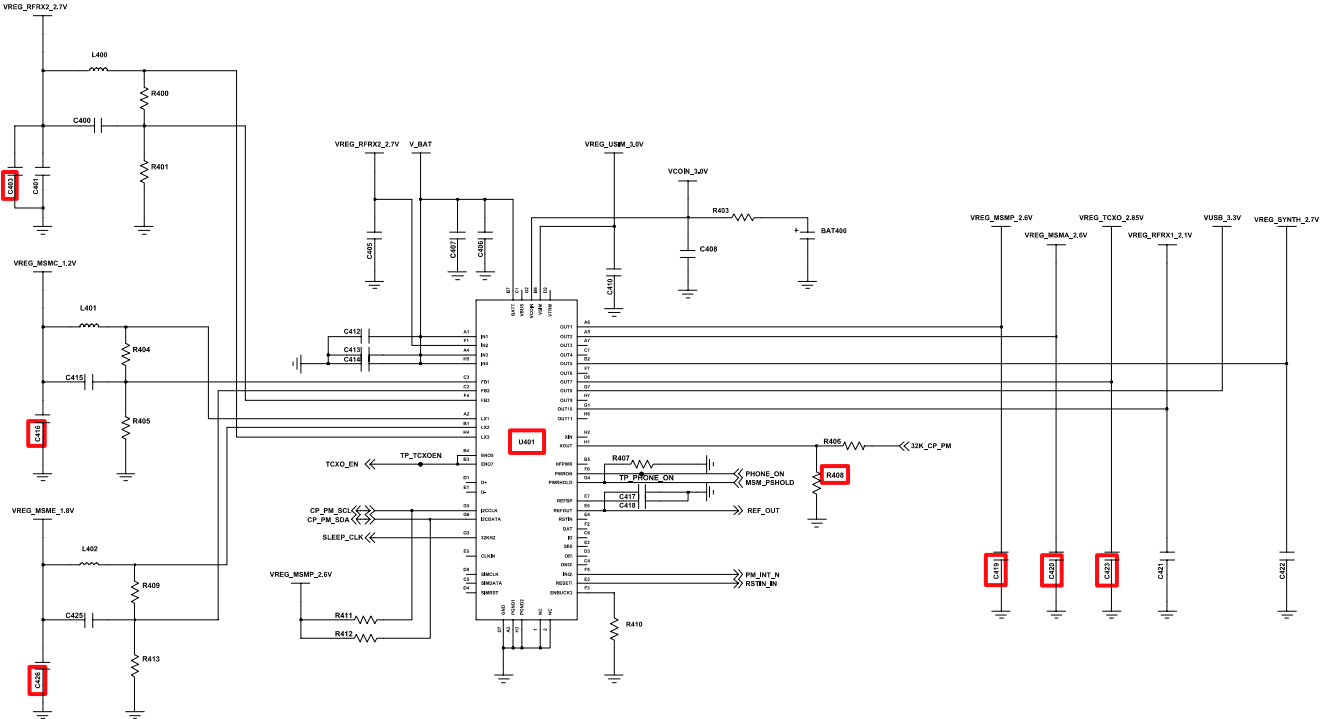


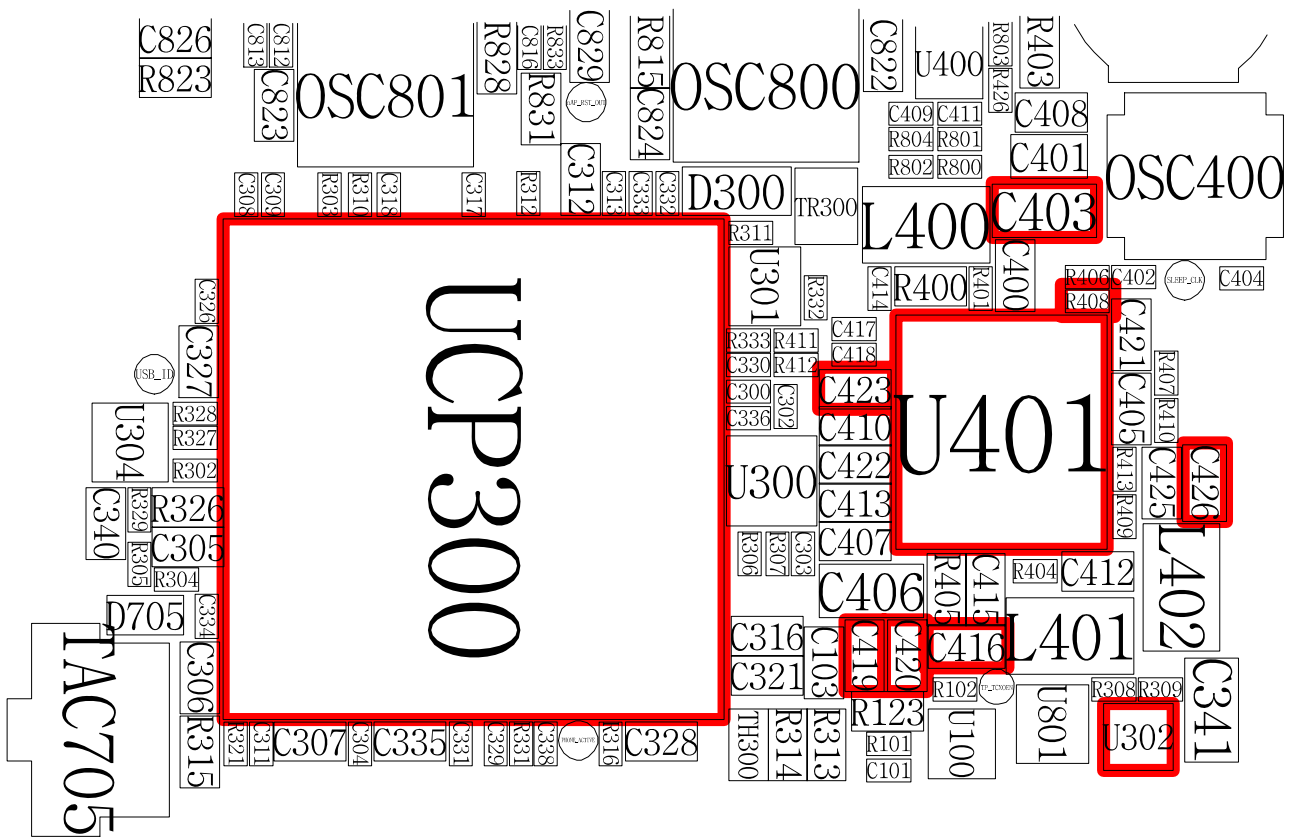




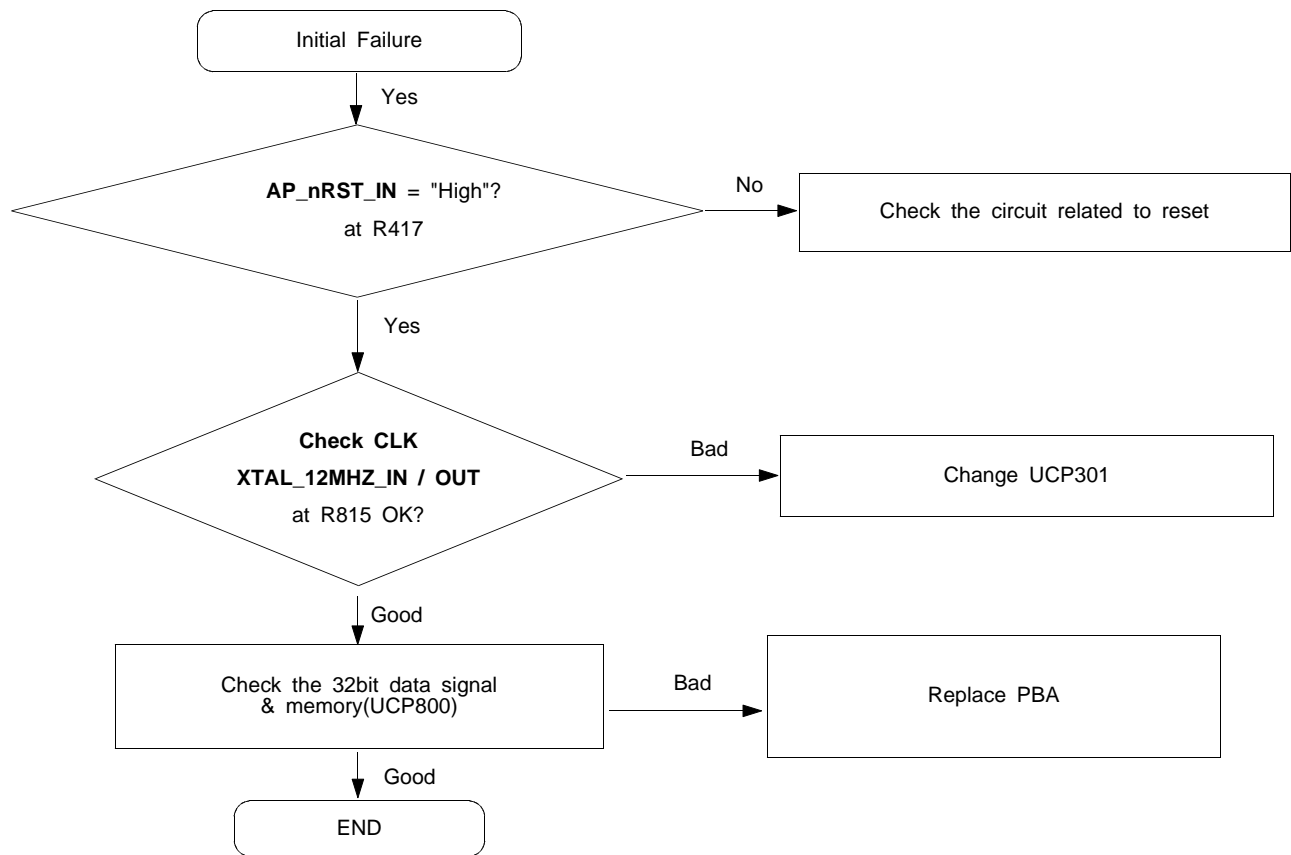
9-1-2. Phone Part

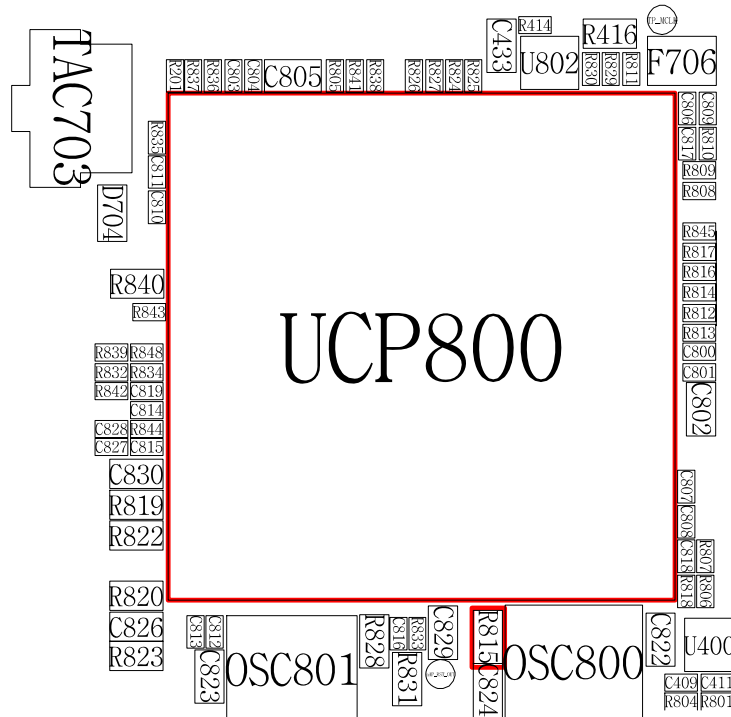
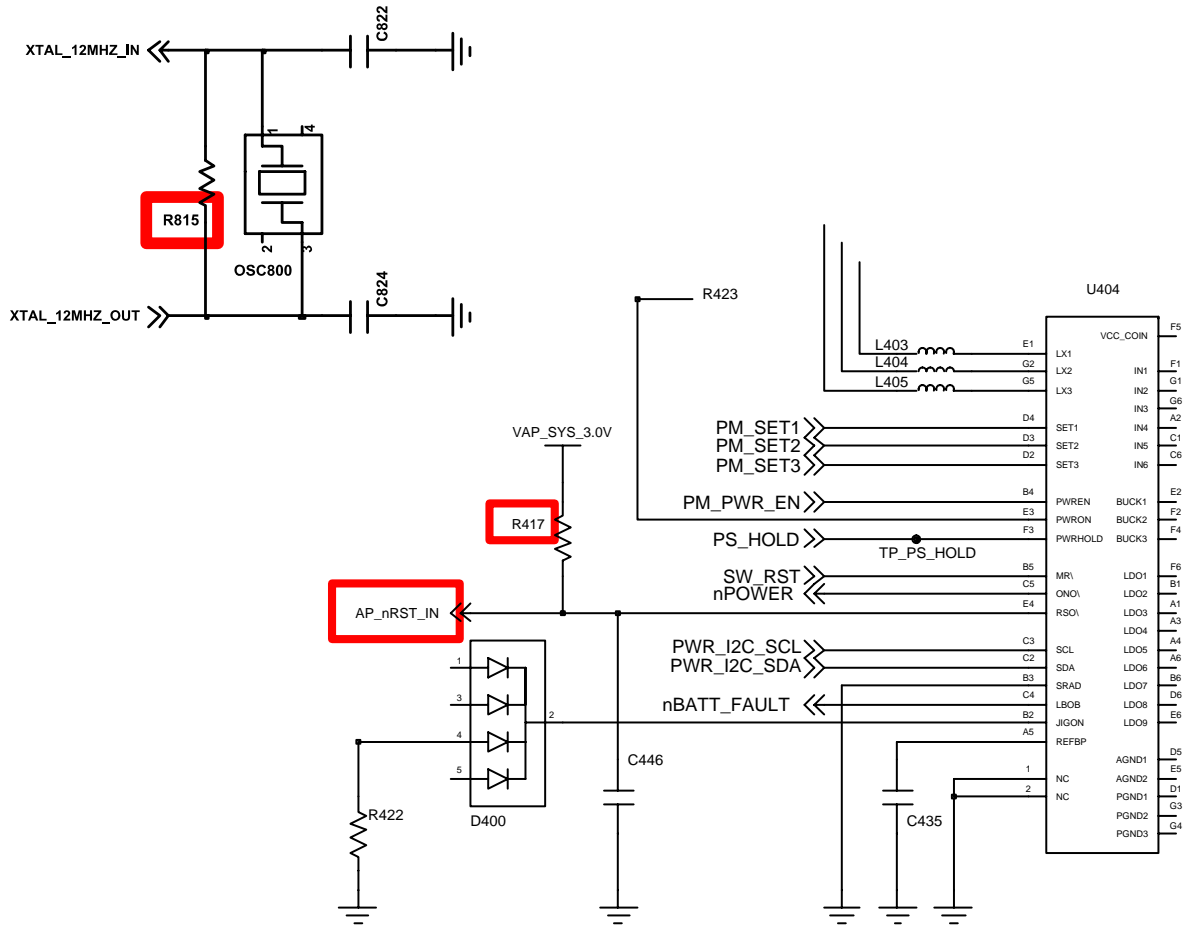




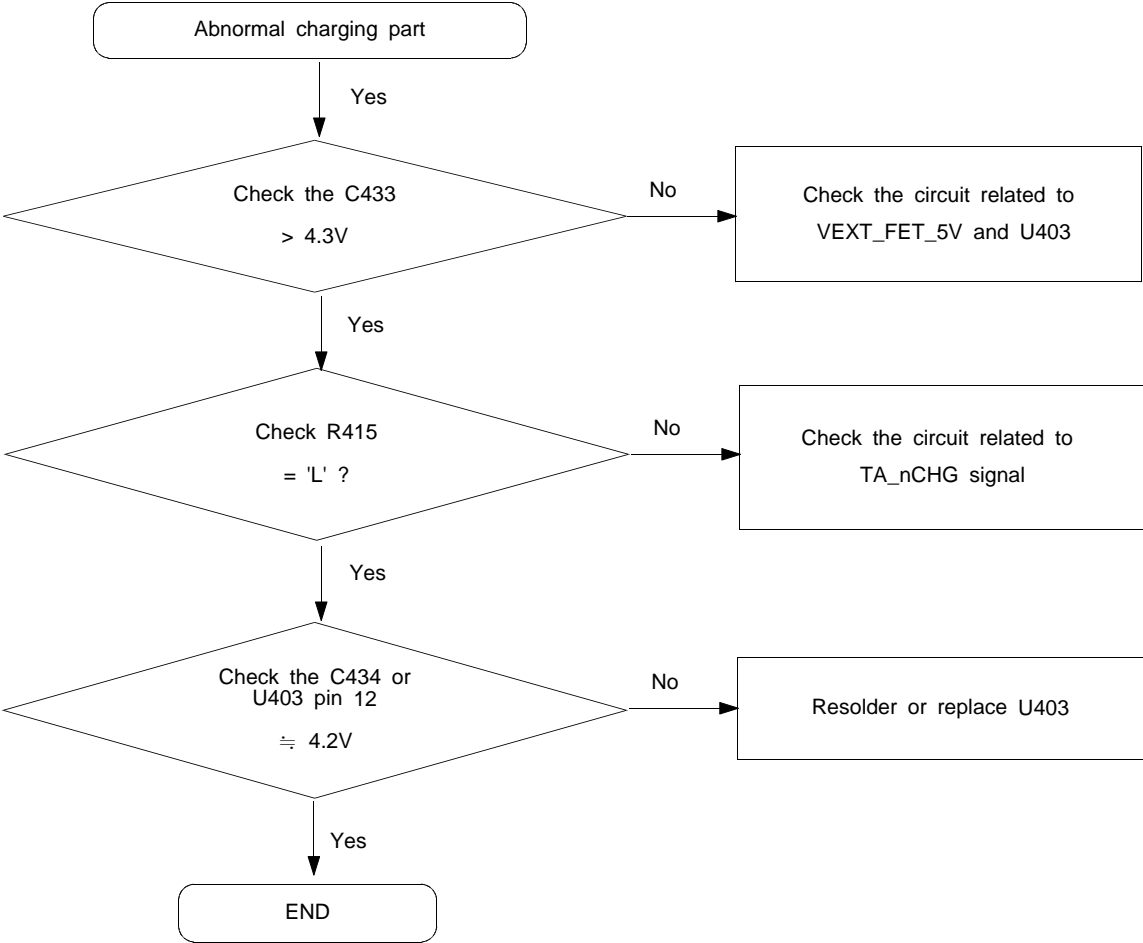


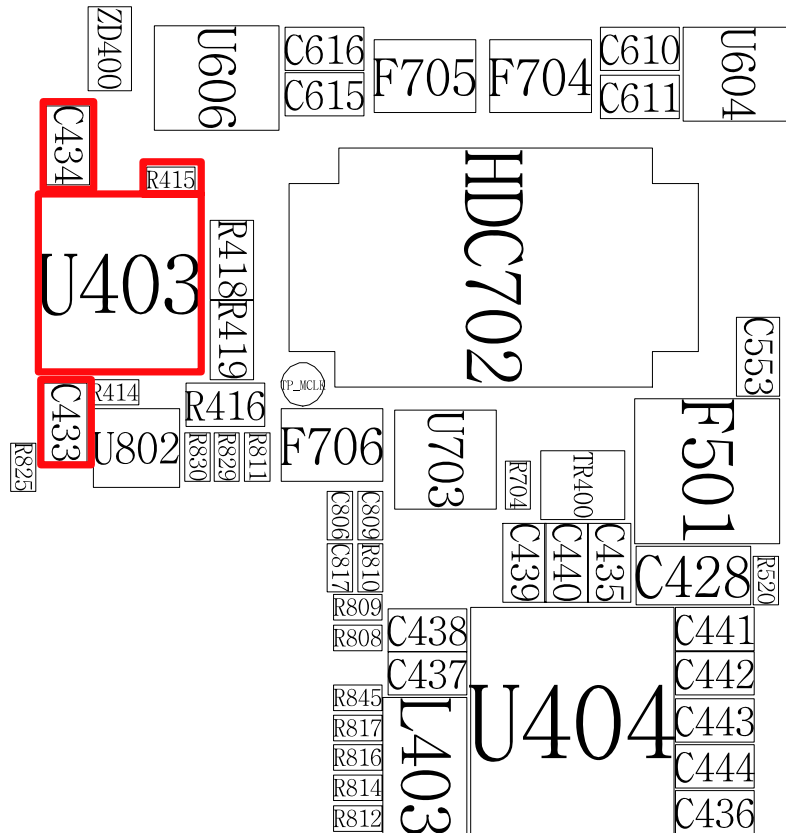
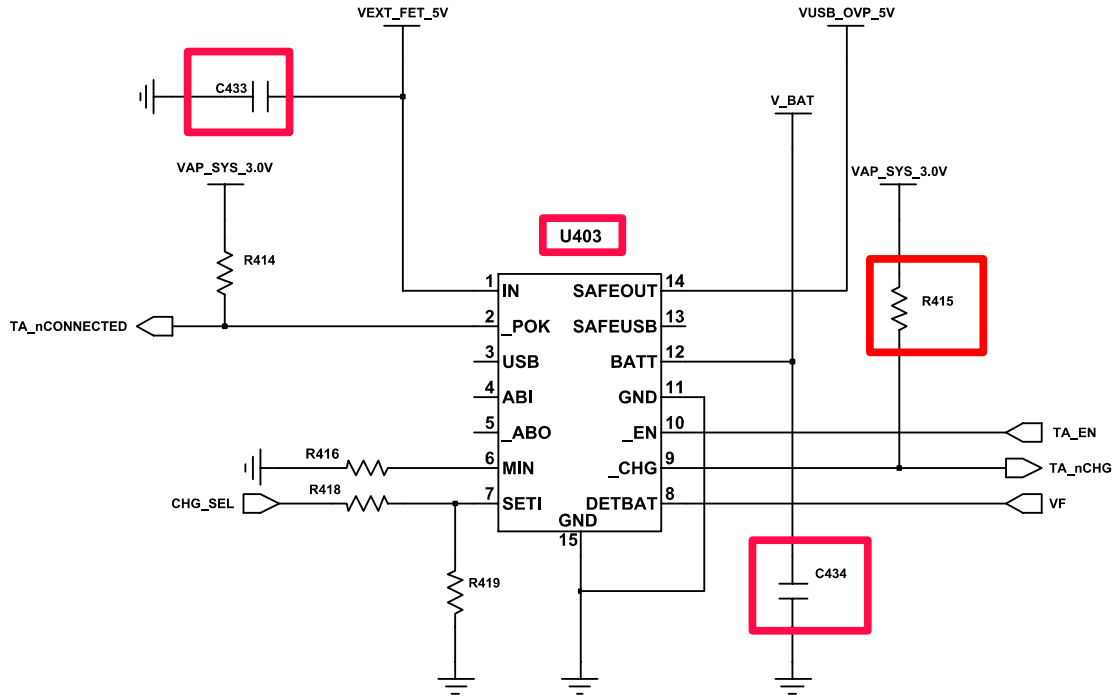
9-2. Initial



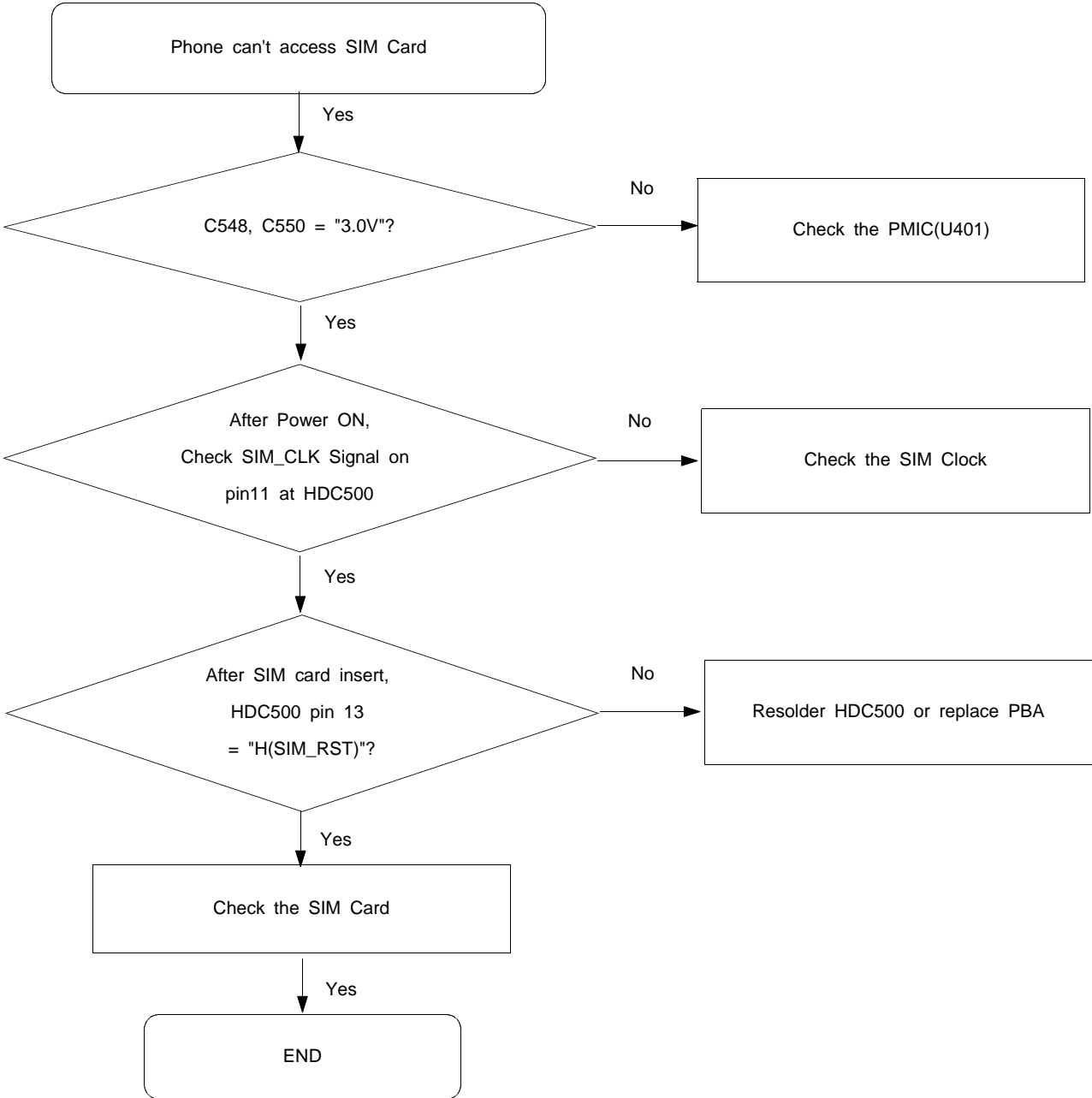


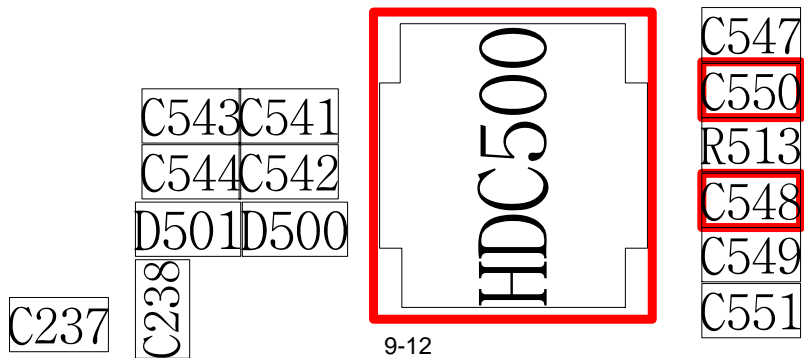
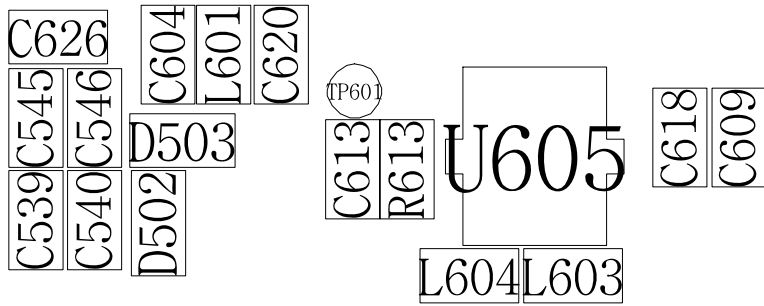
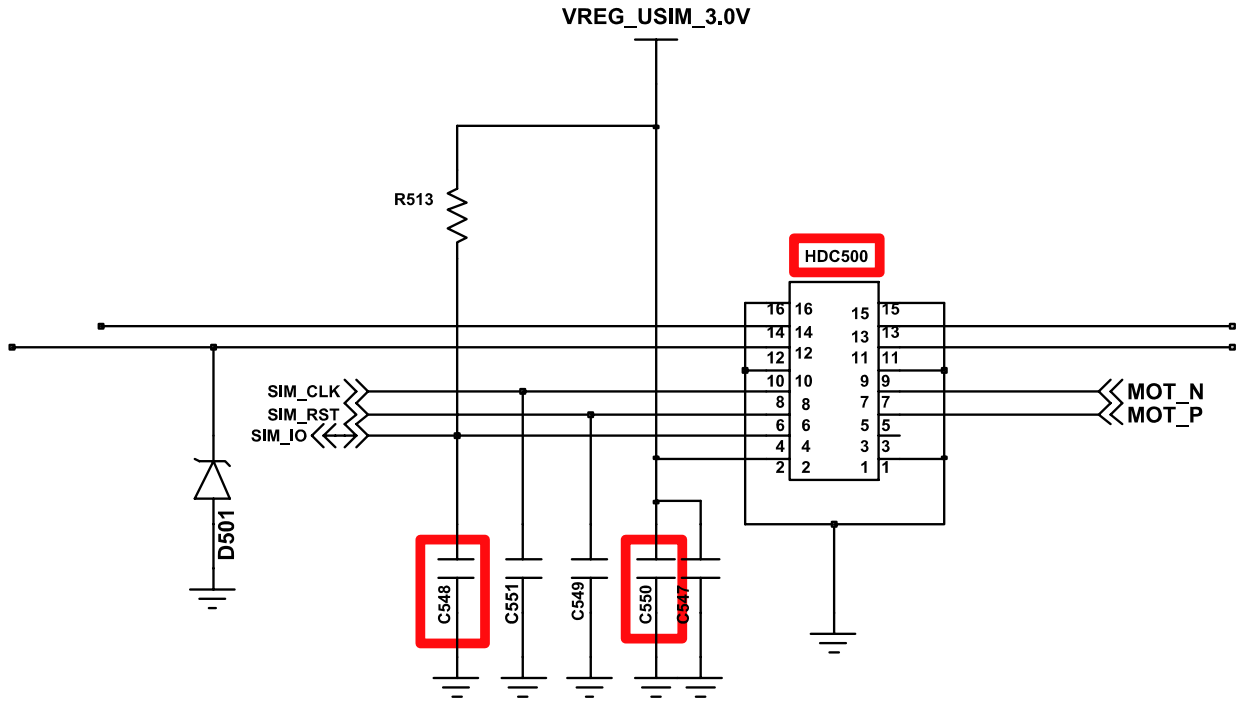
9-3. Charging Part



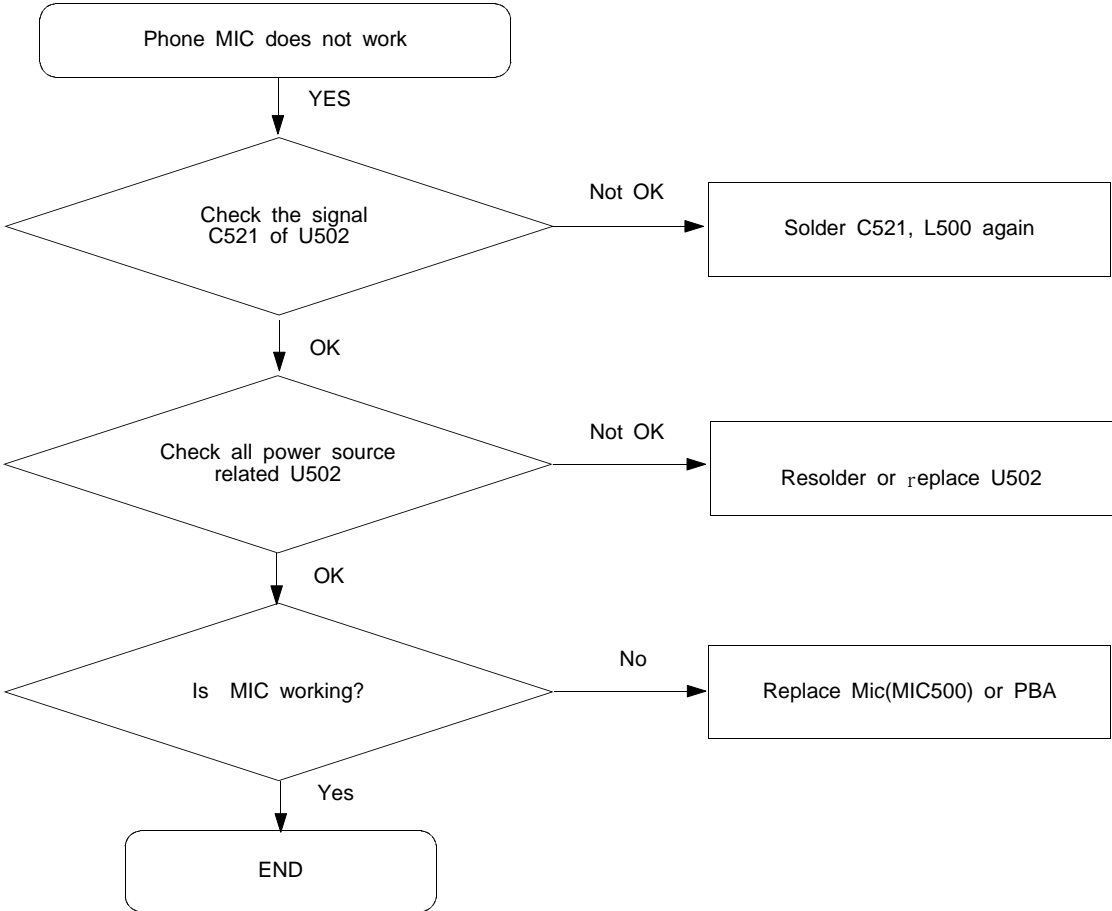


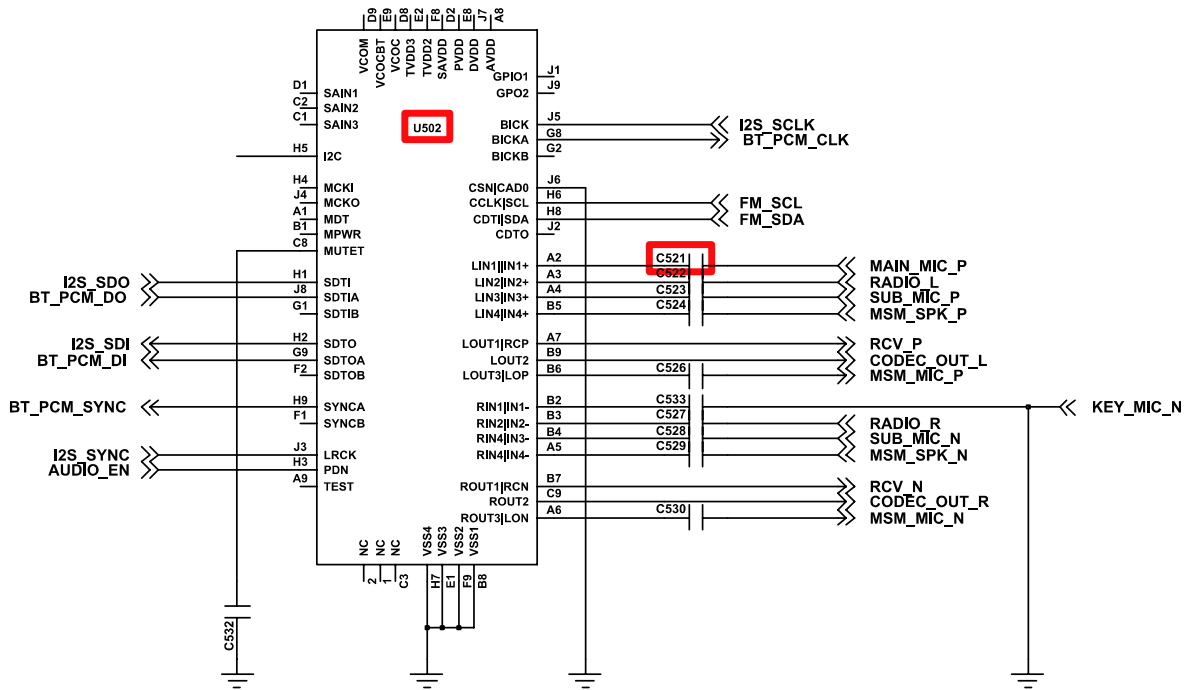
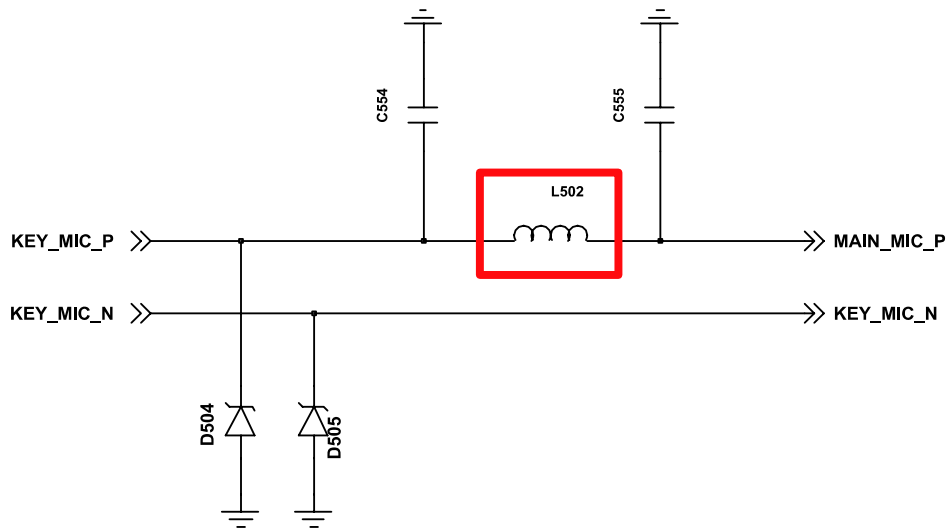
9-4. Sim Part

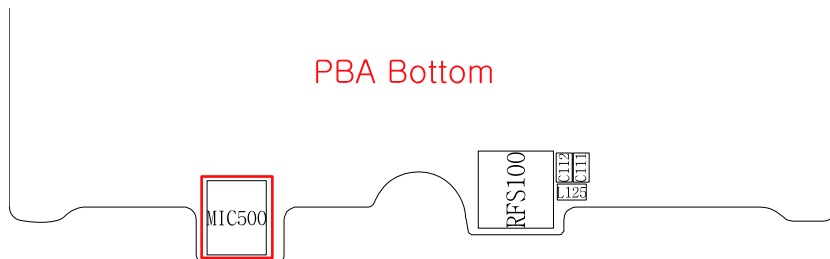
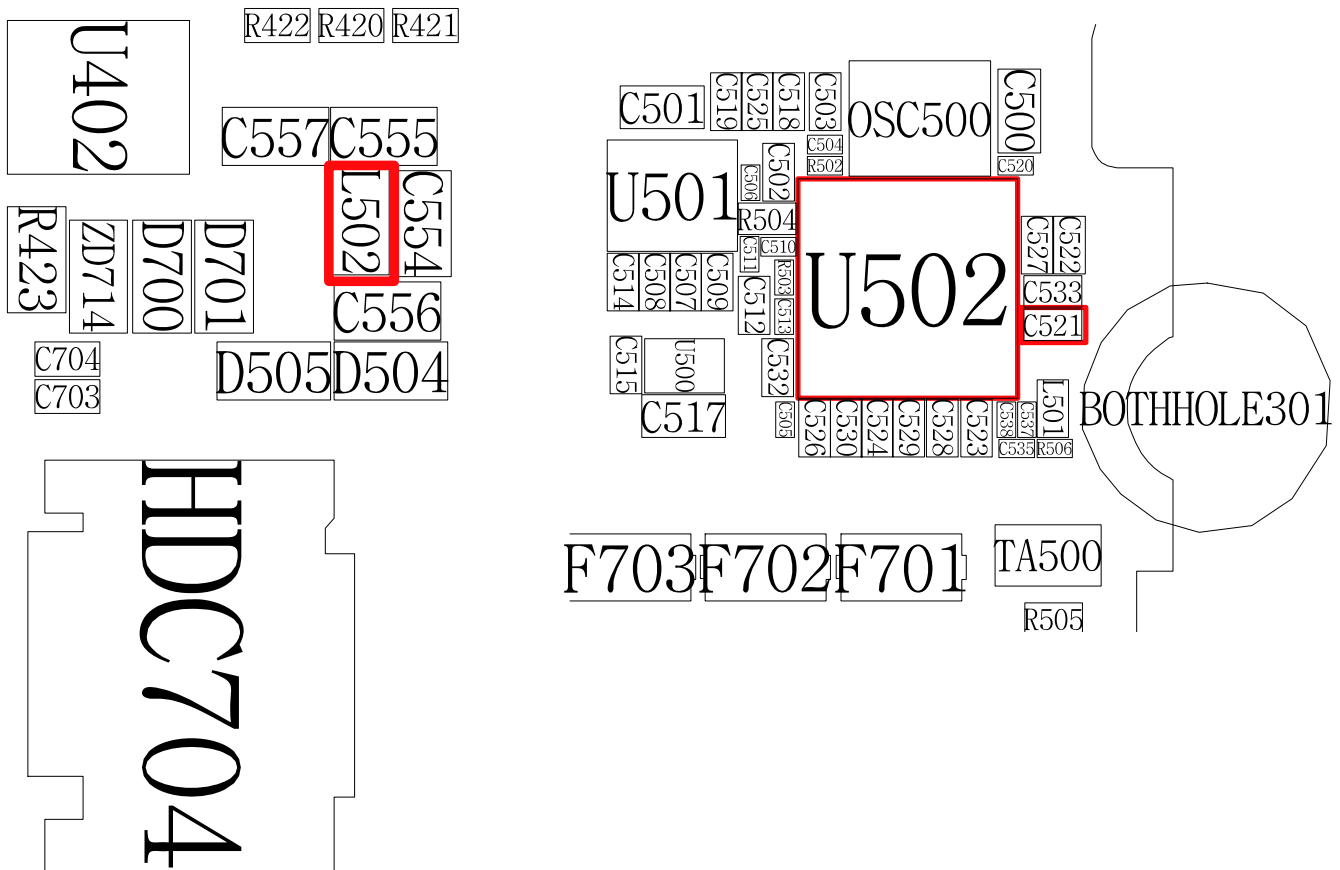




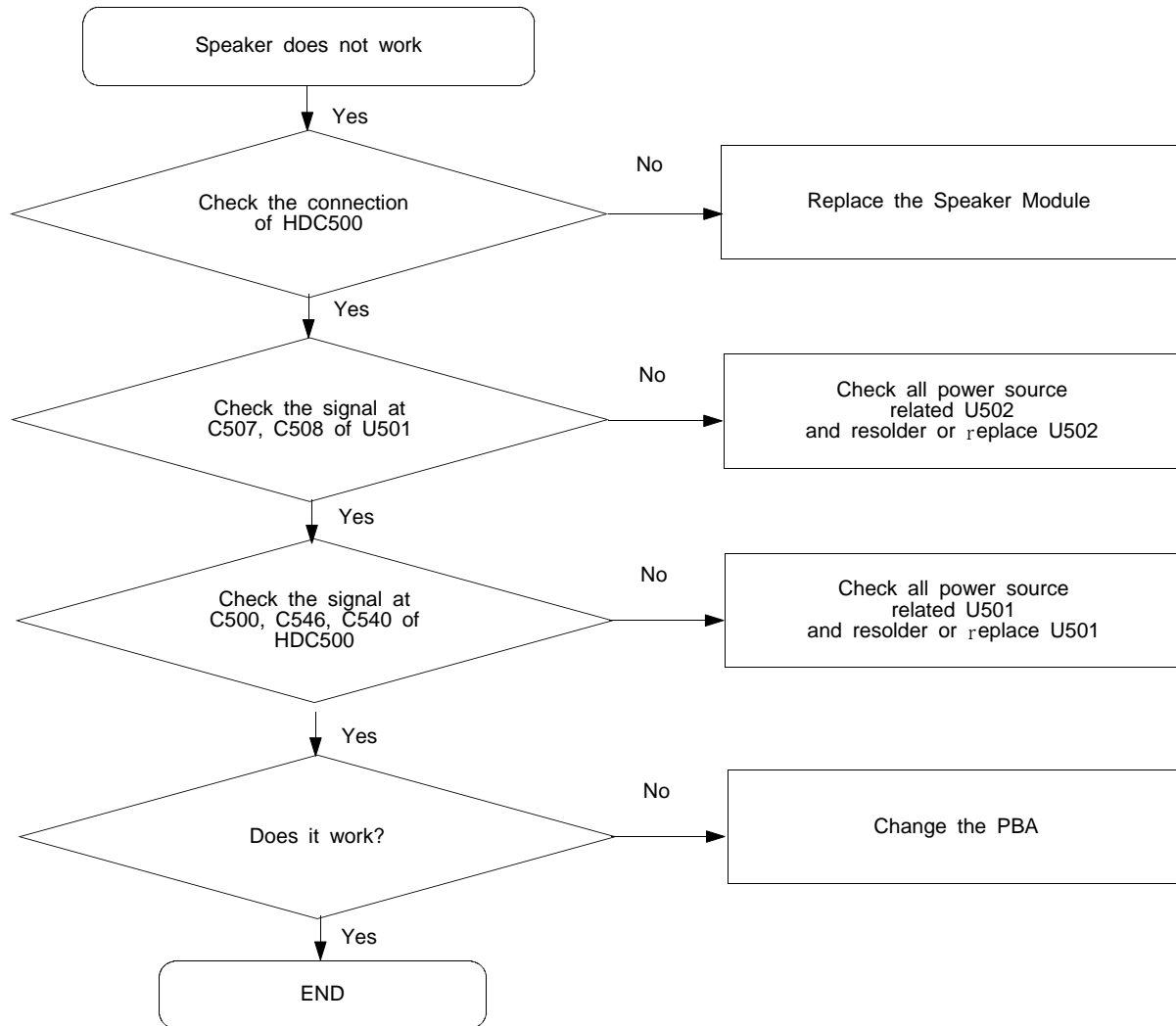
9-5. Microphone Part

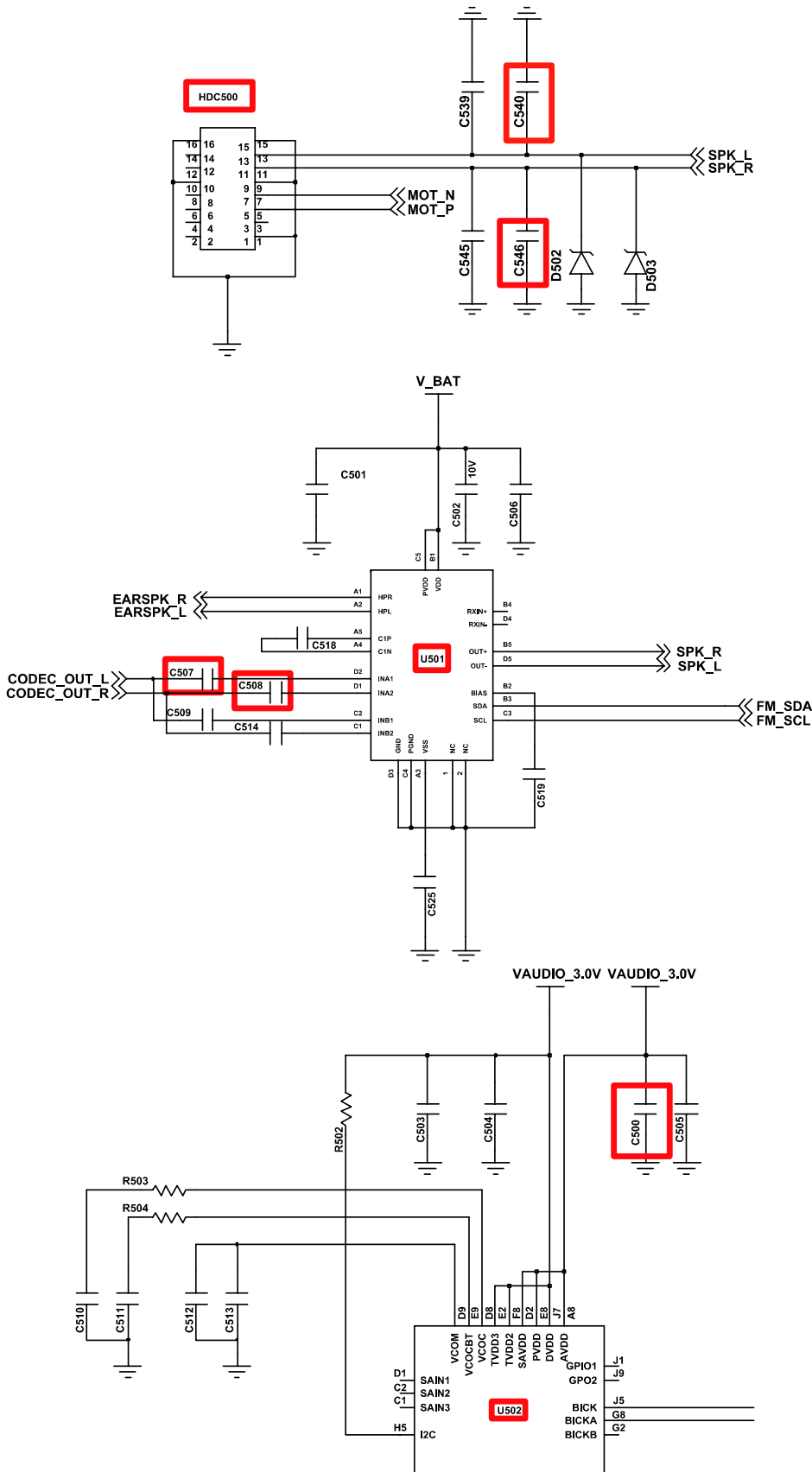


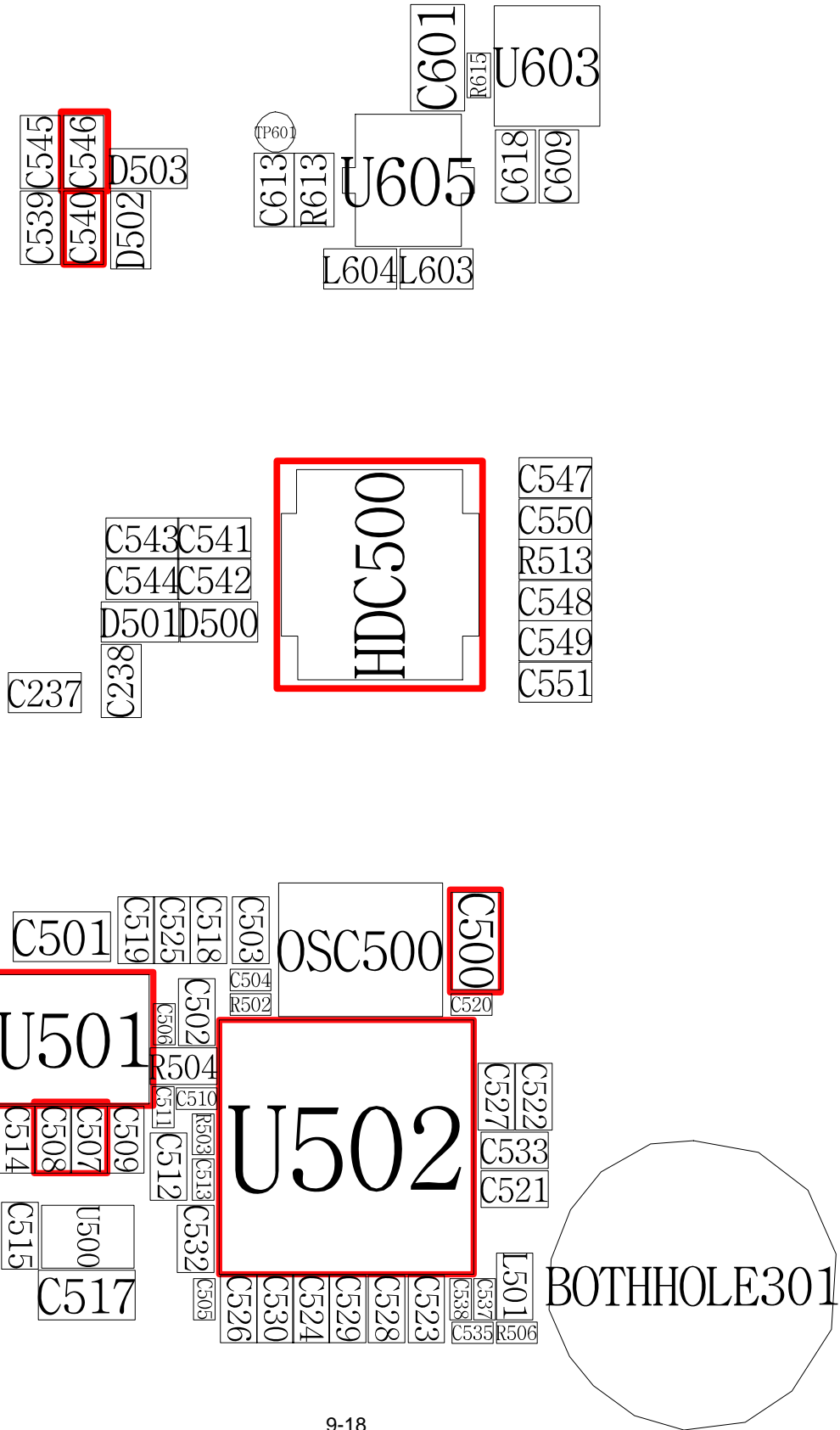




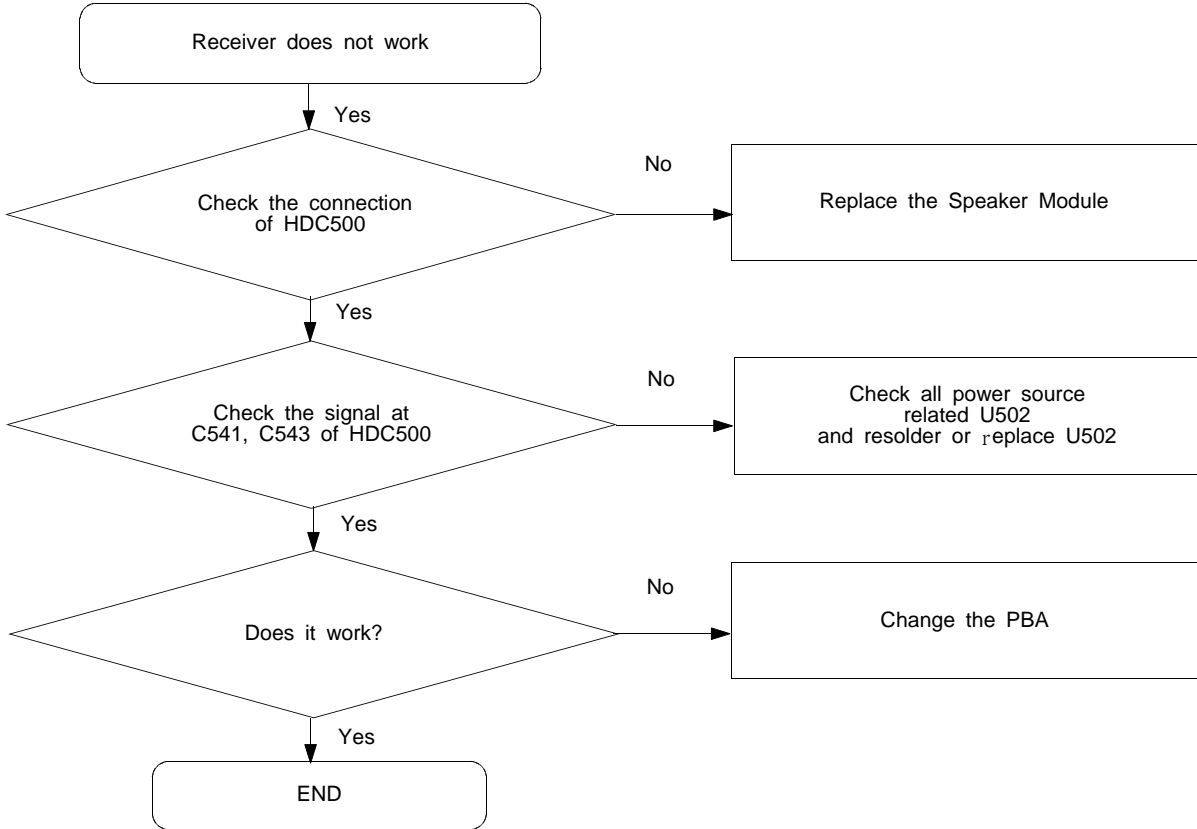
9-6. Speaker Part(Melody)

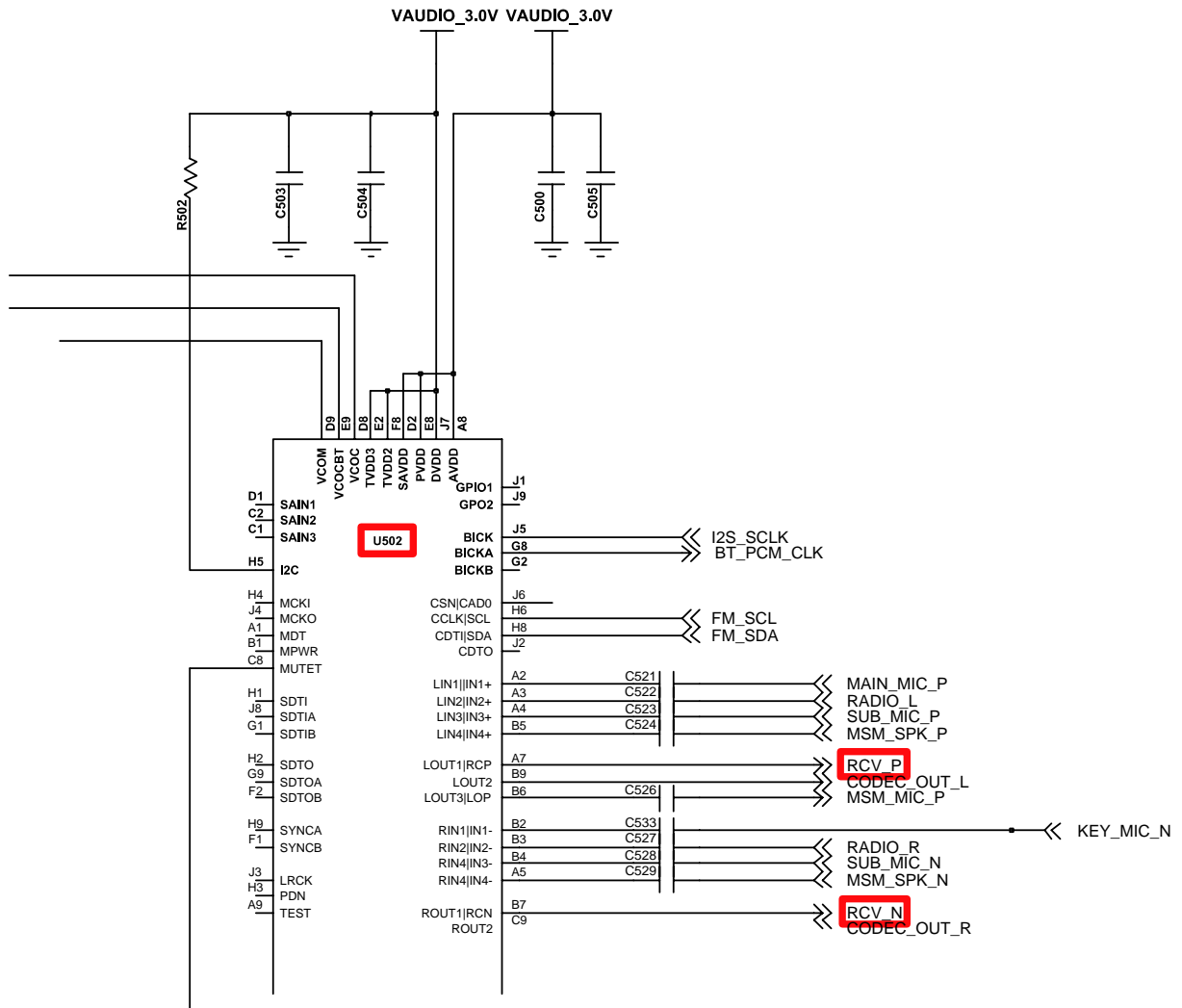
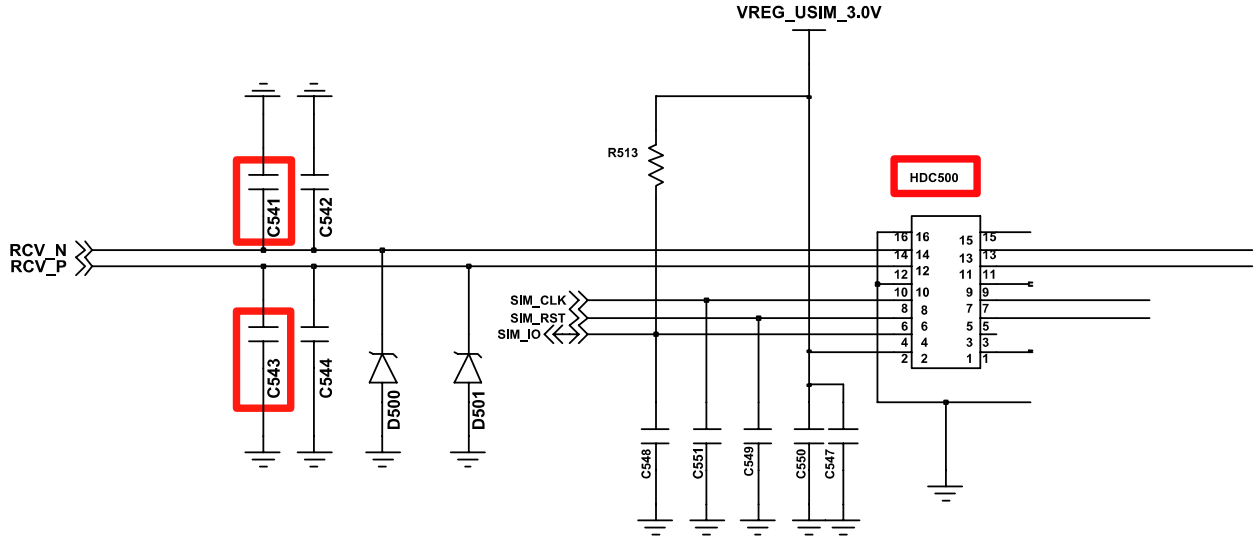


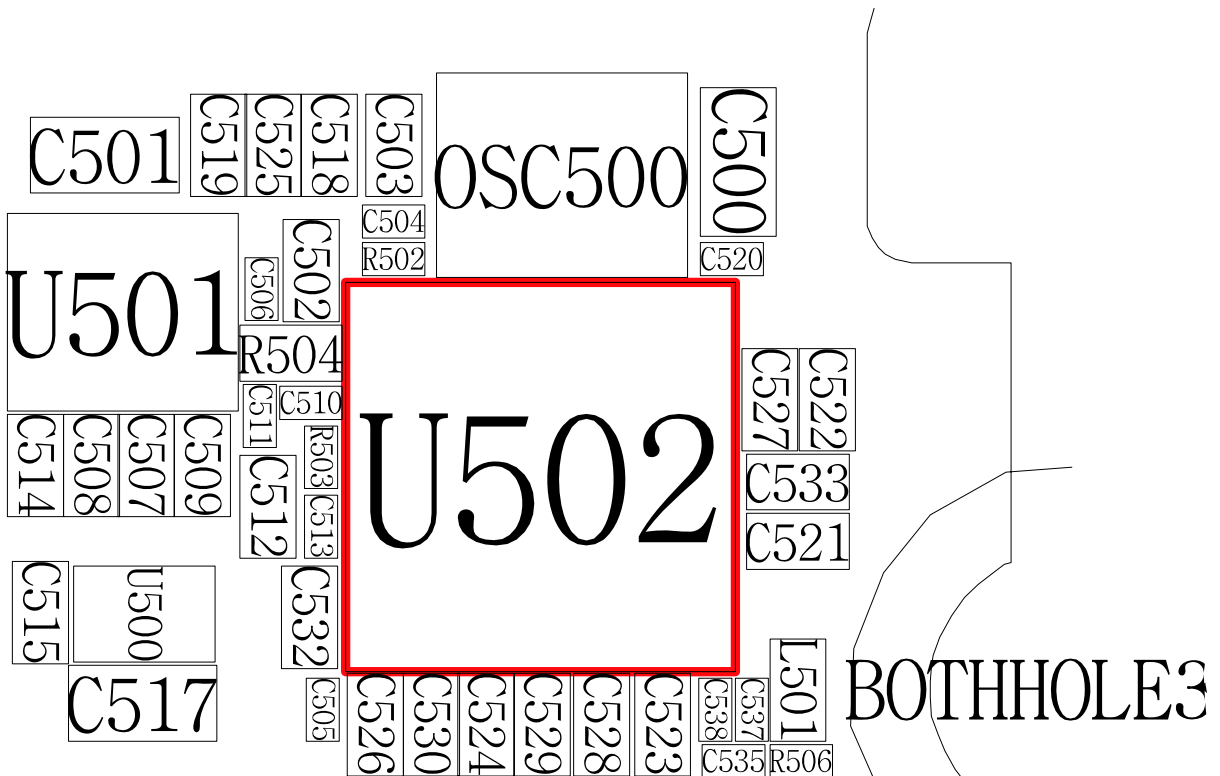
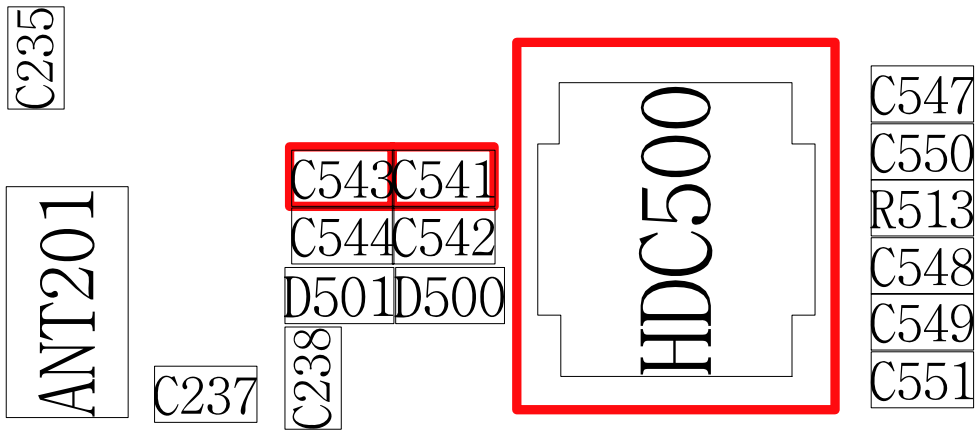




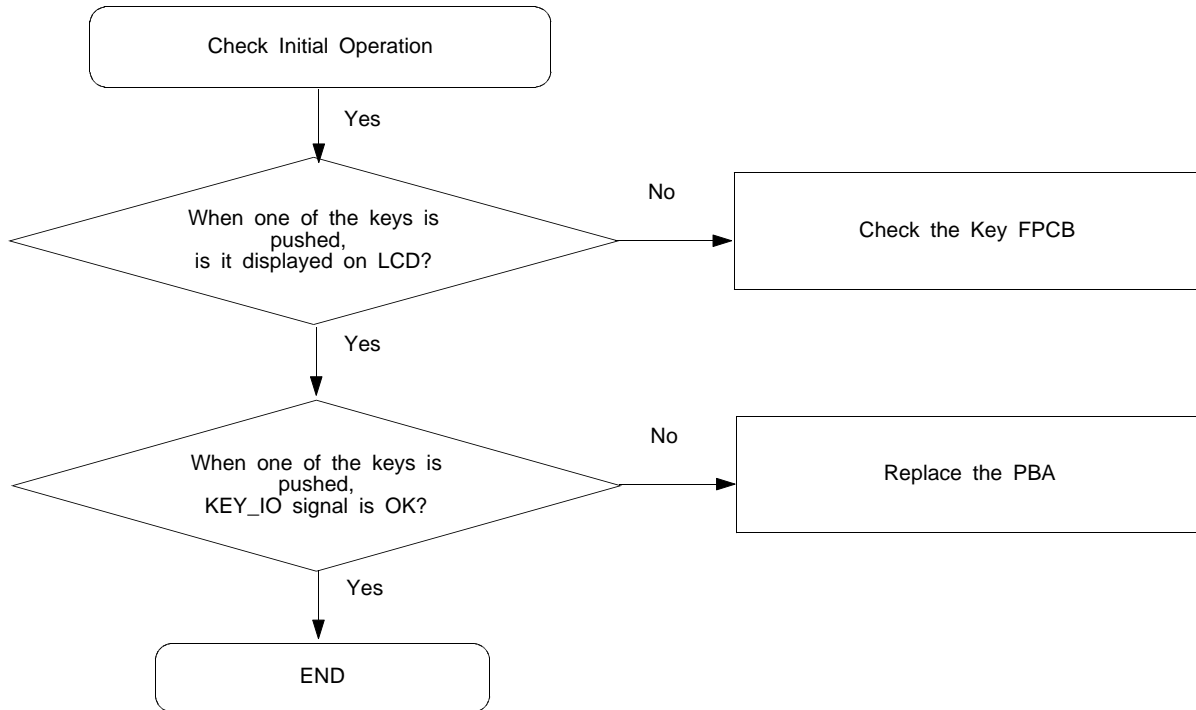
9-7. Receiver Part

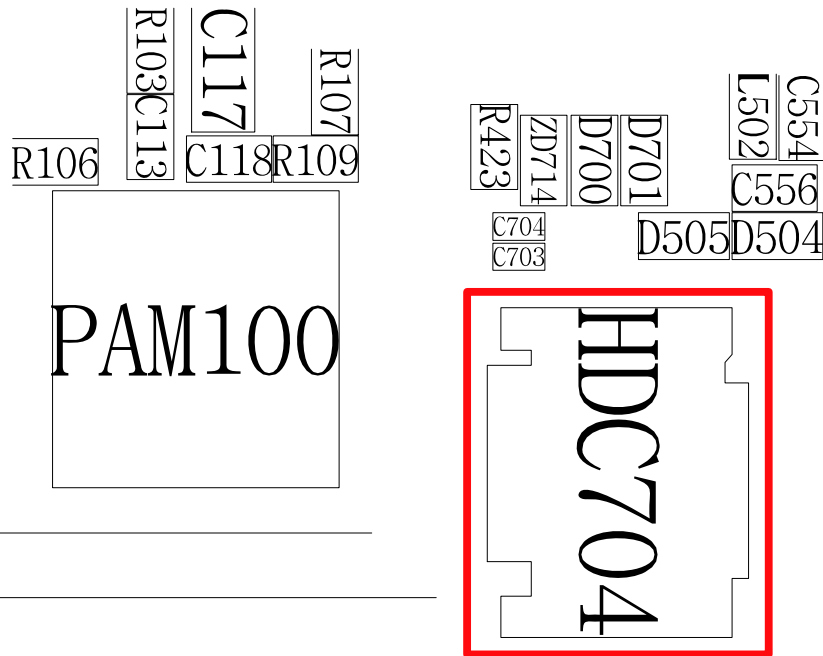
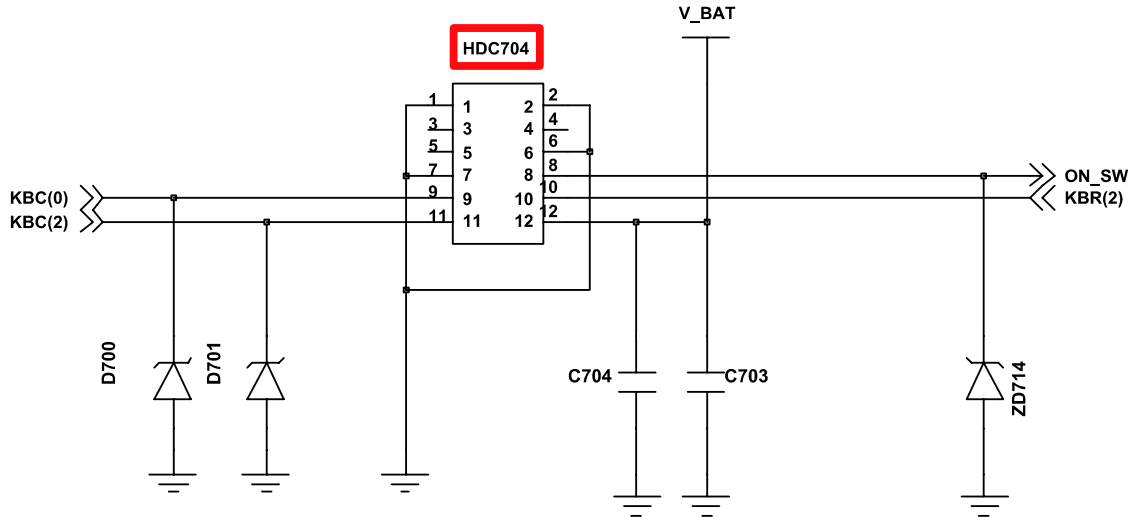




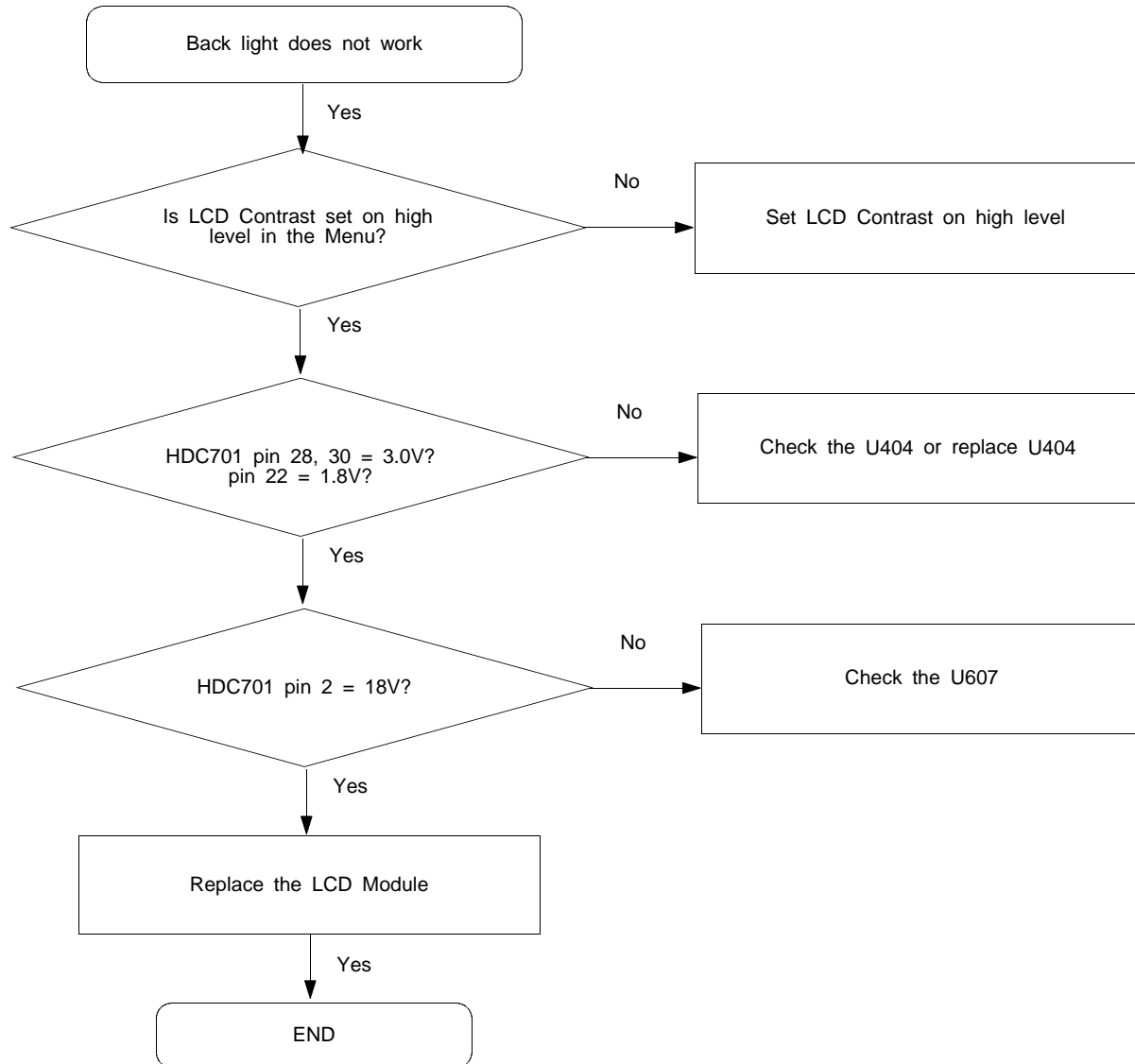


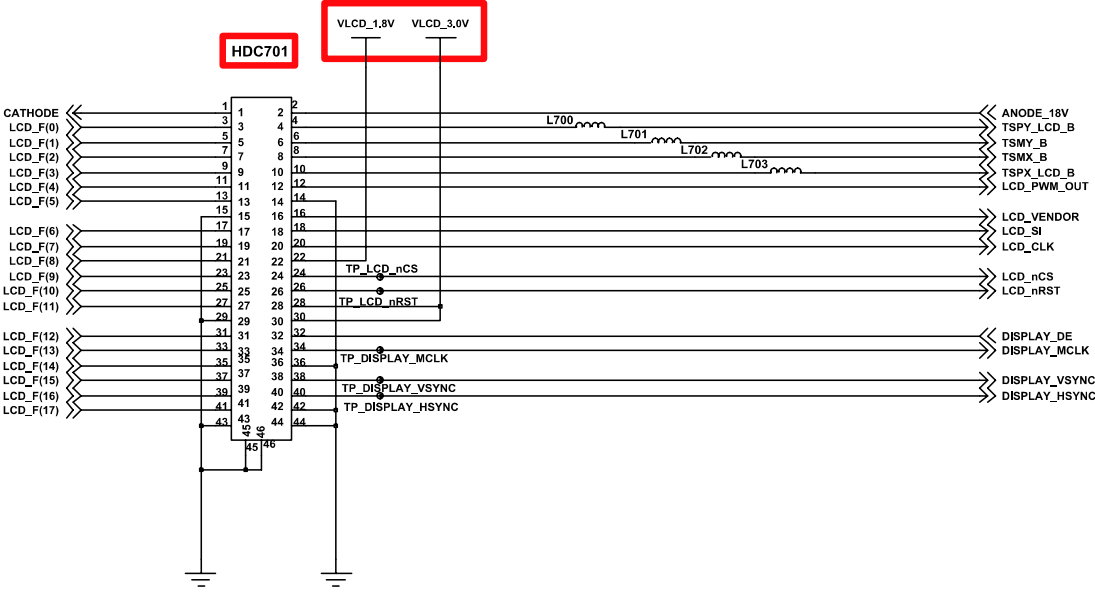
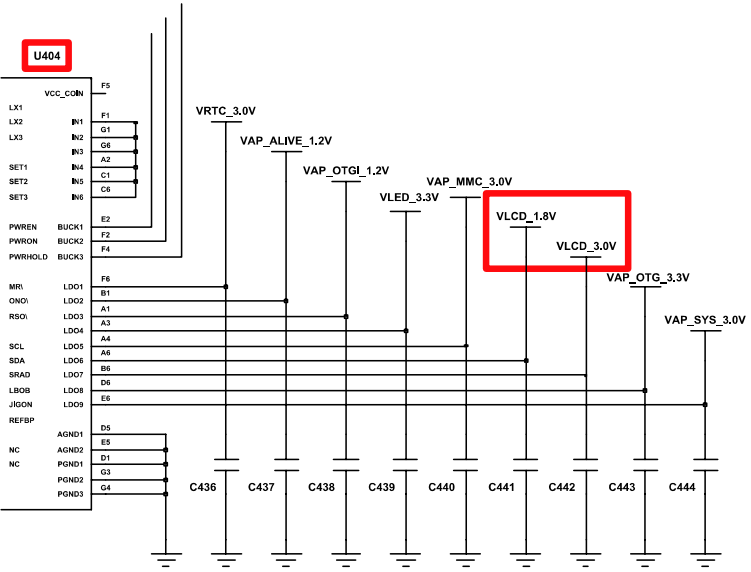
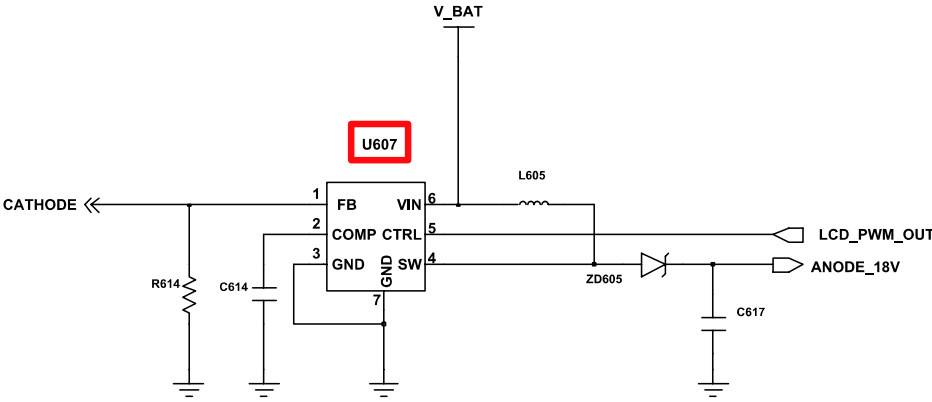
9-8. Key Data Input

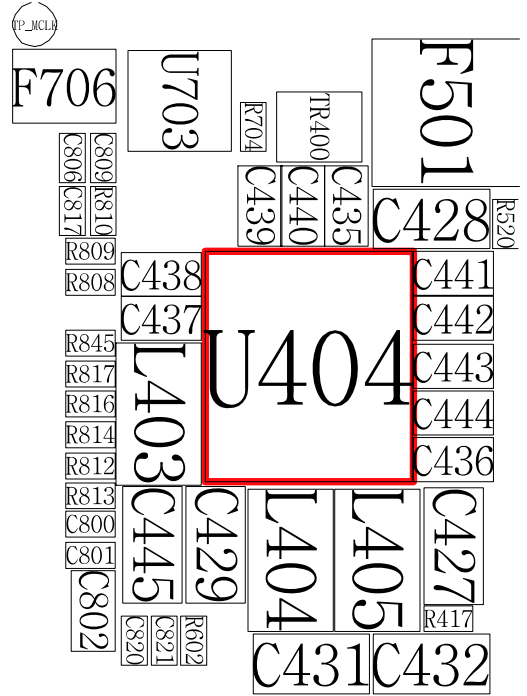
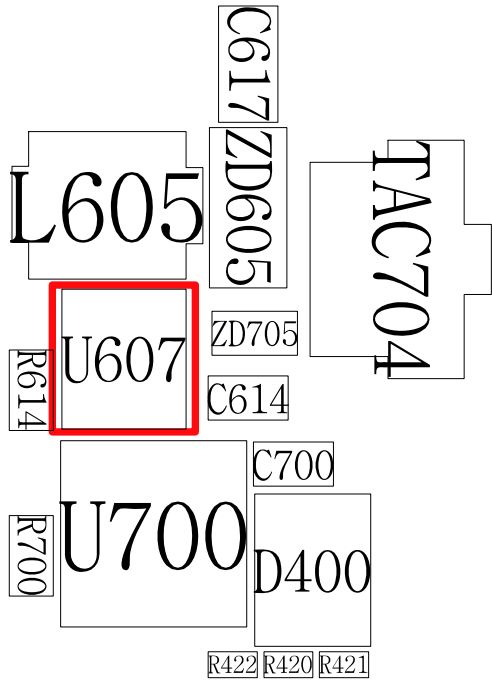




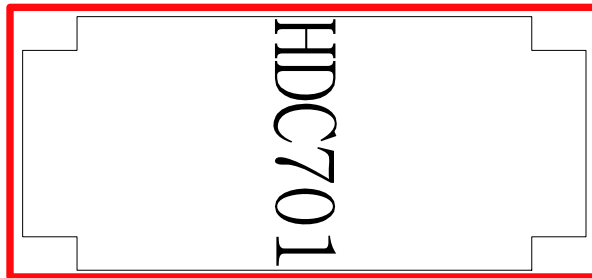
9-9. Back Light (for Color Main LCD)





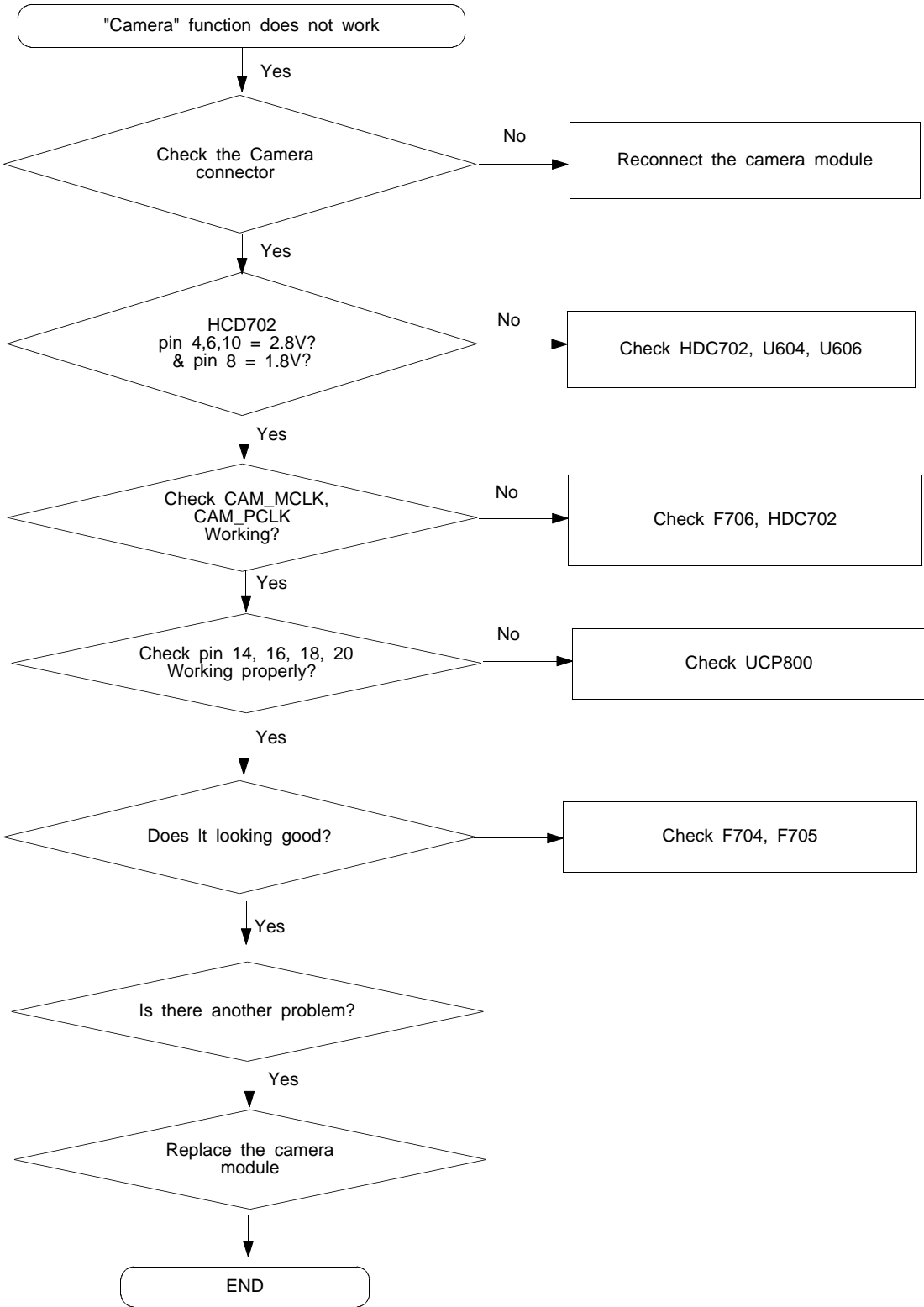


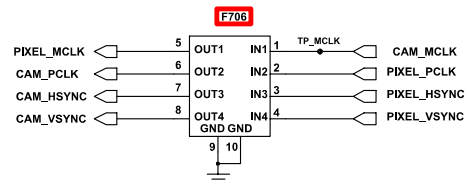
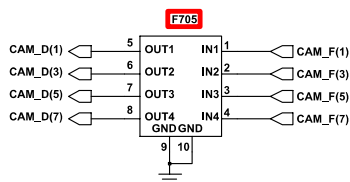
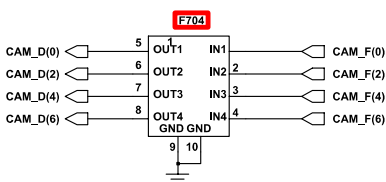
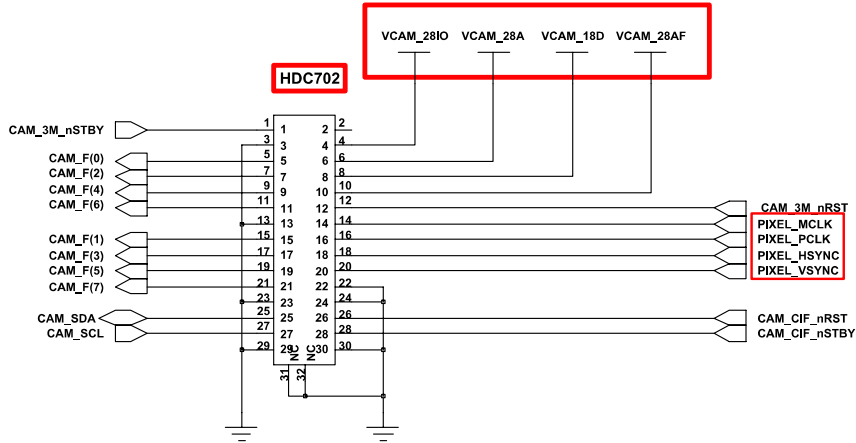
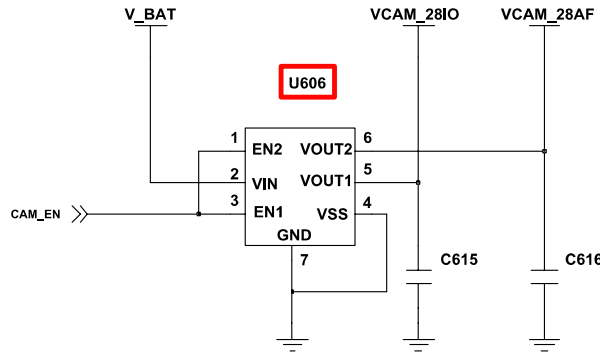
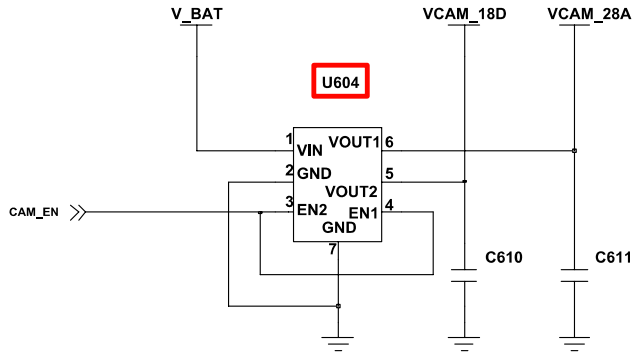
F703 F702 F701

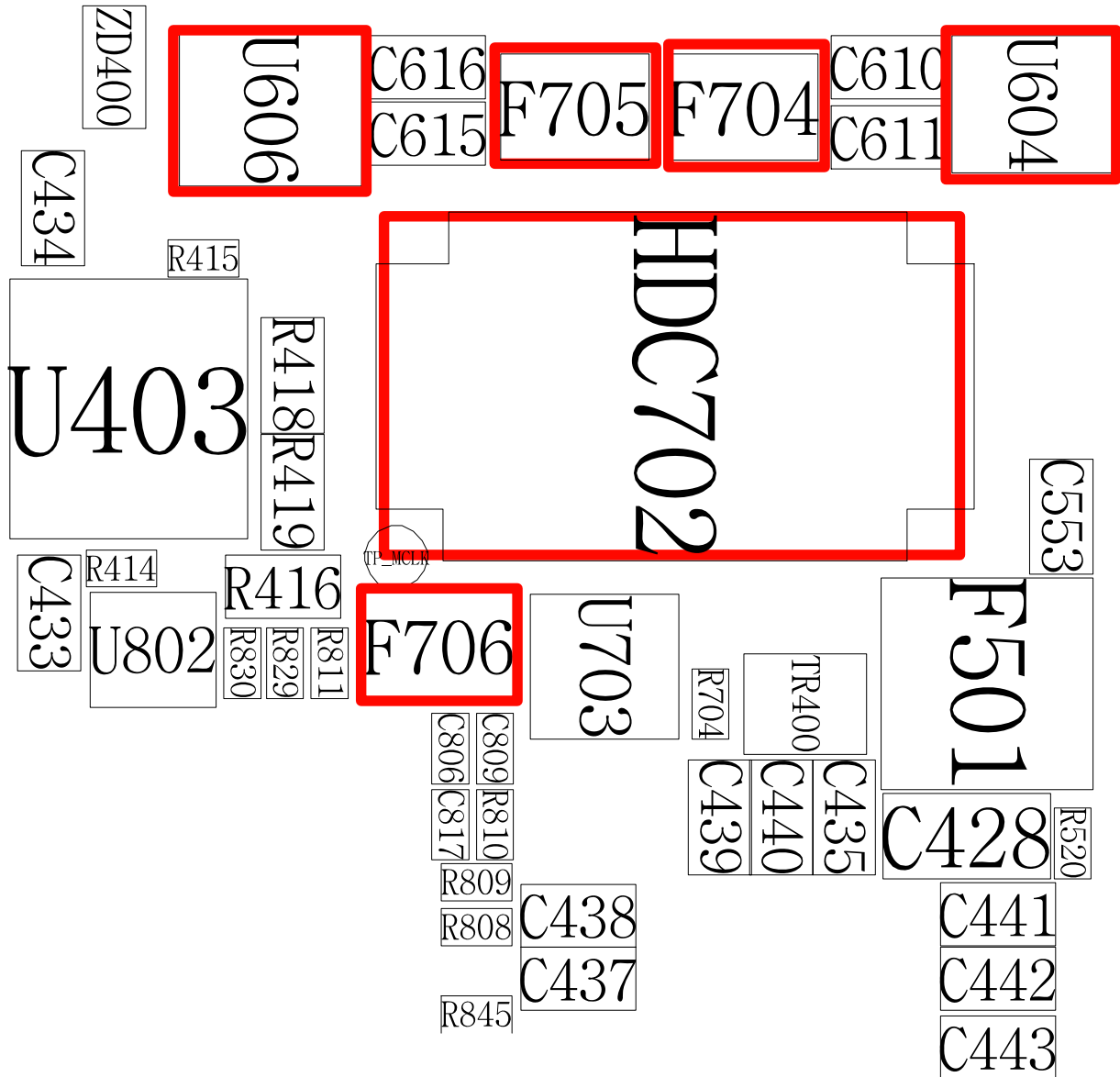


R505
C531

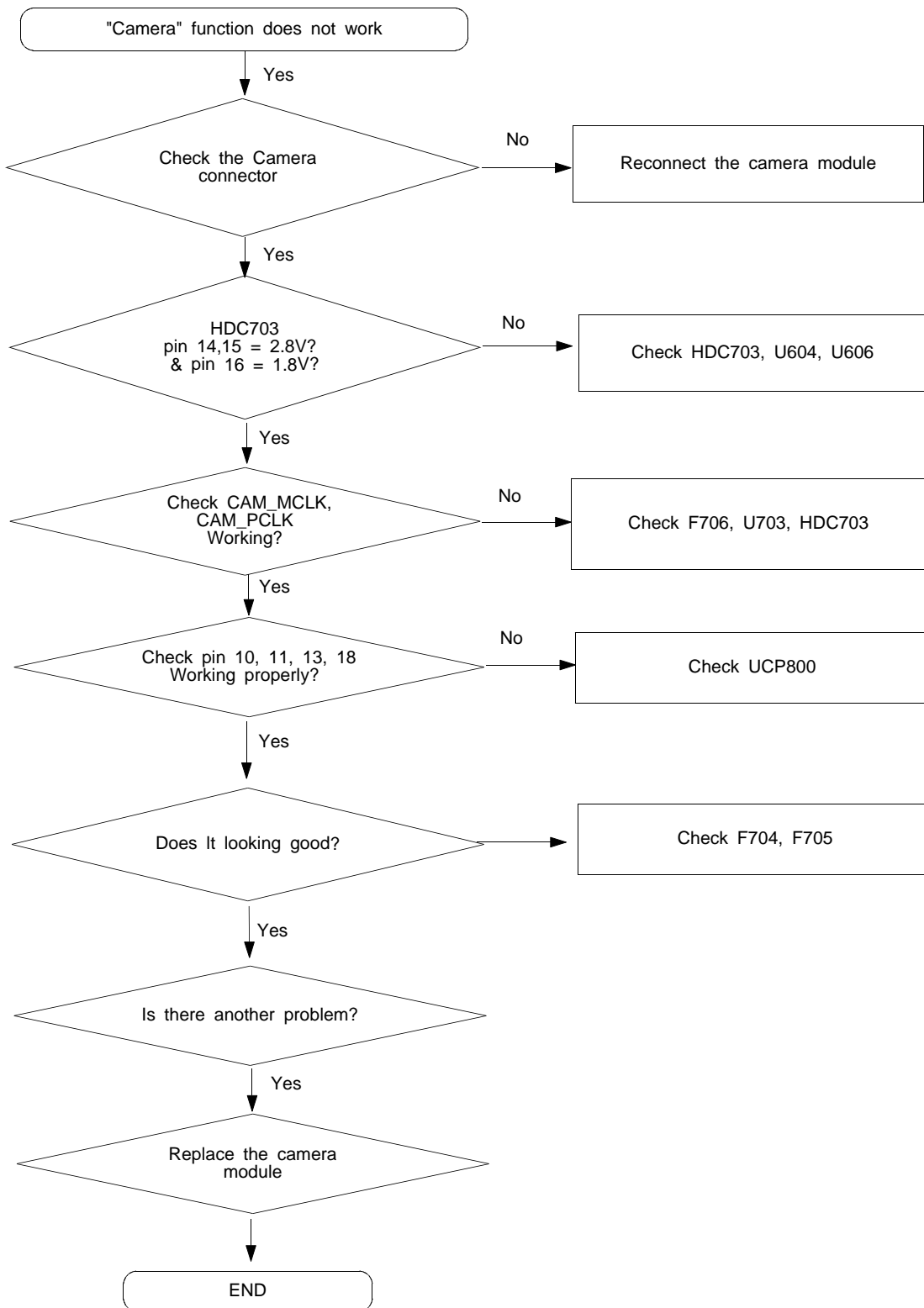
9-10. Camera part (3.2M CAMERA)

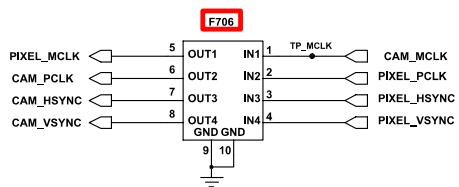
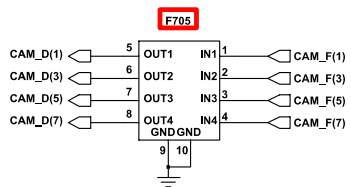
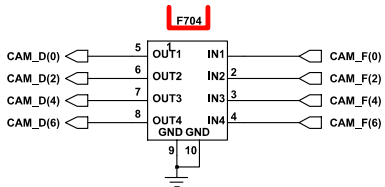
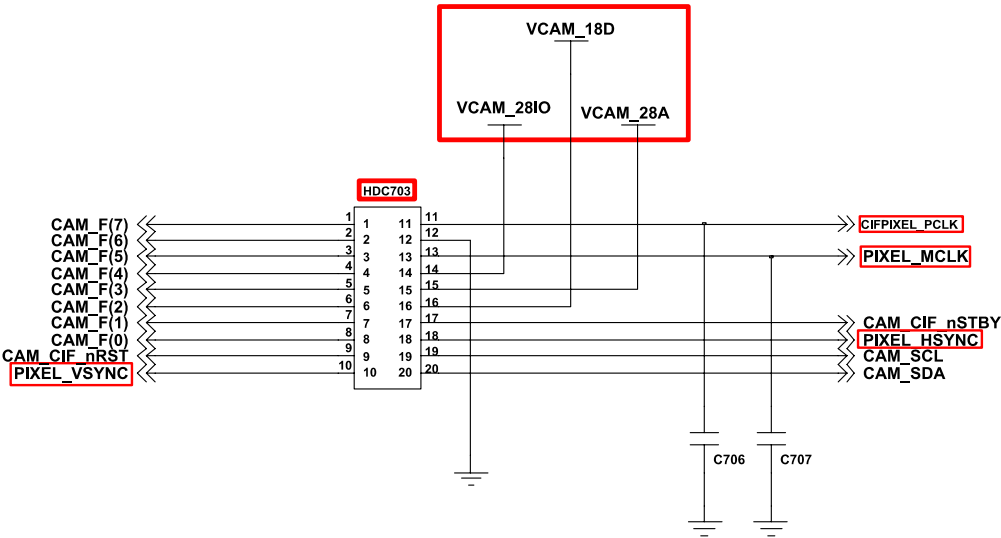
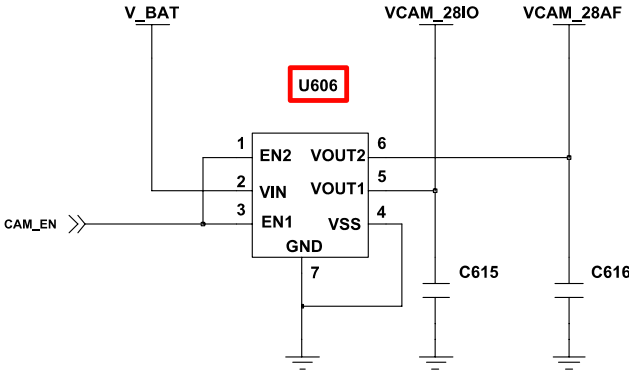
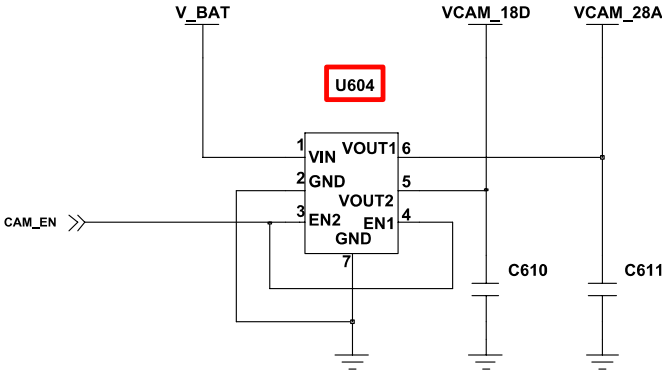


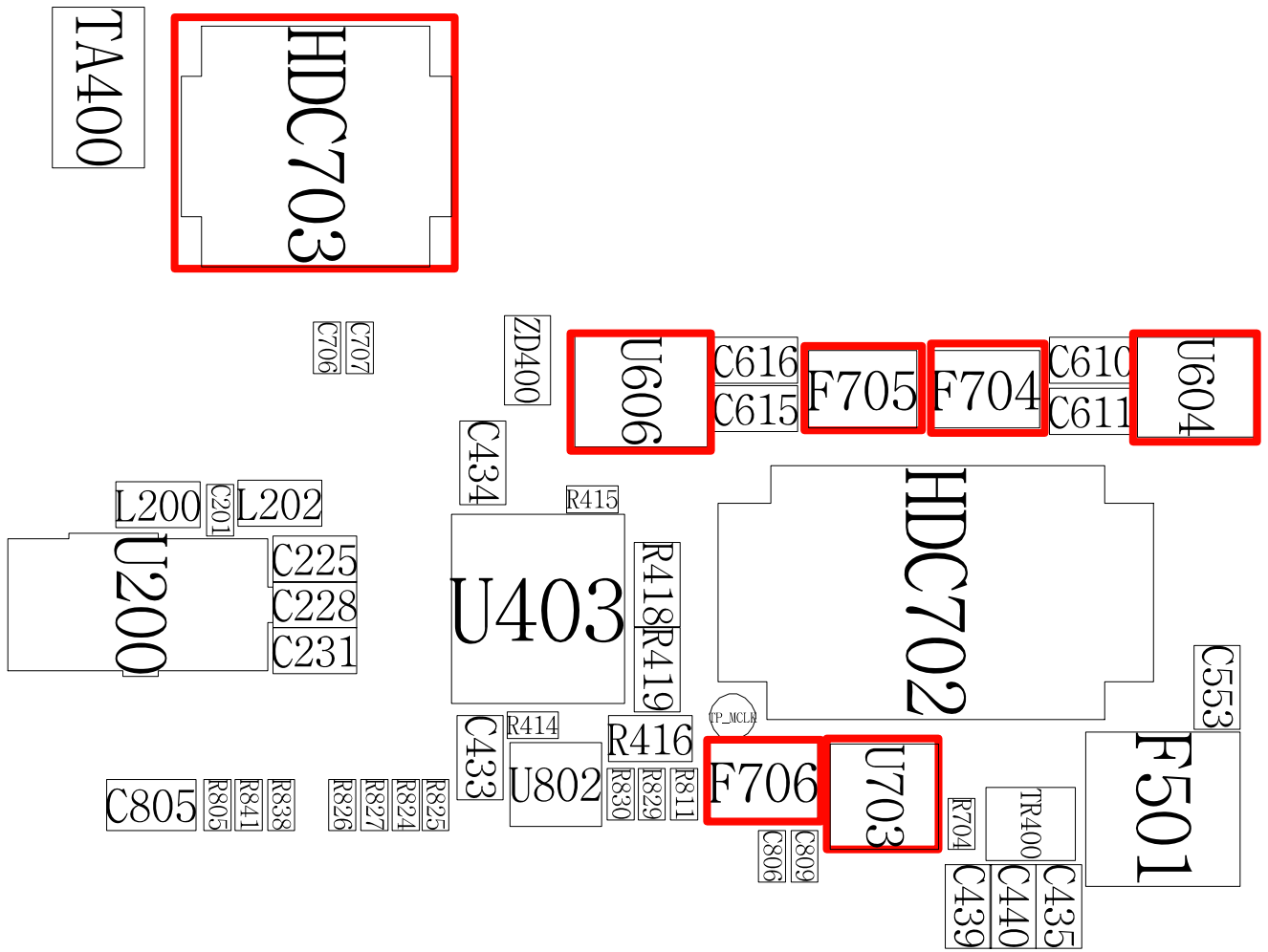




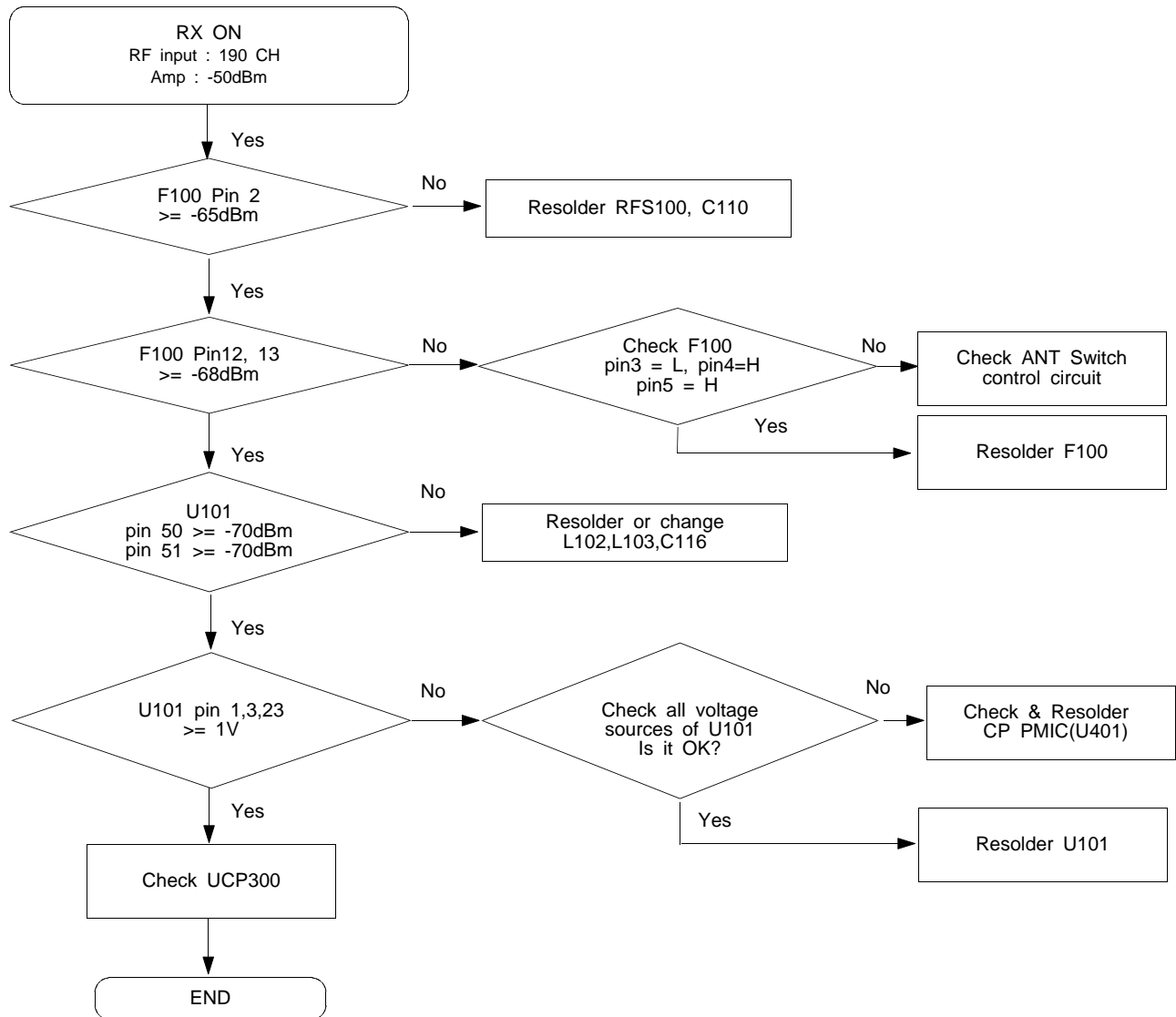
9-10. Camera part (CIF CAMERA)

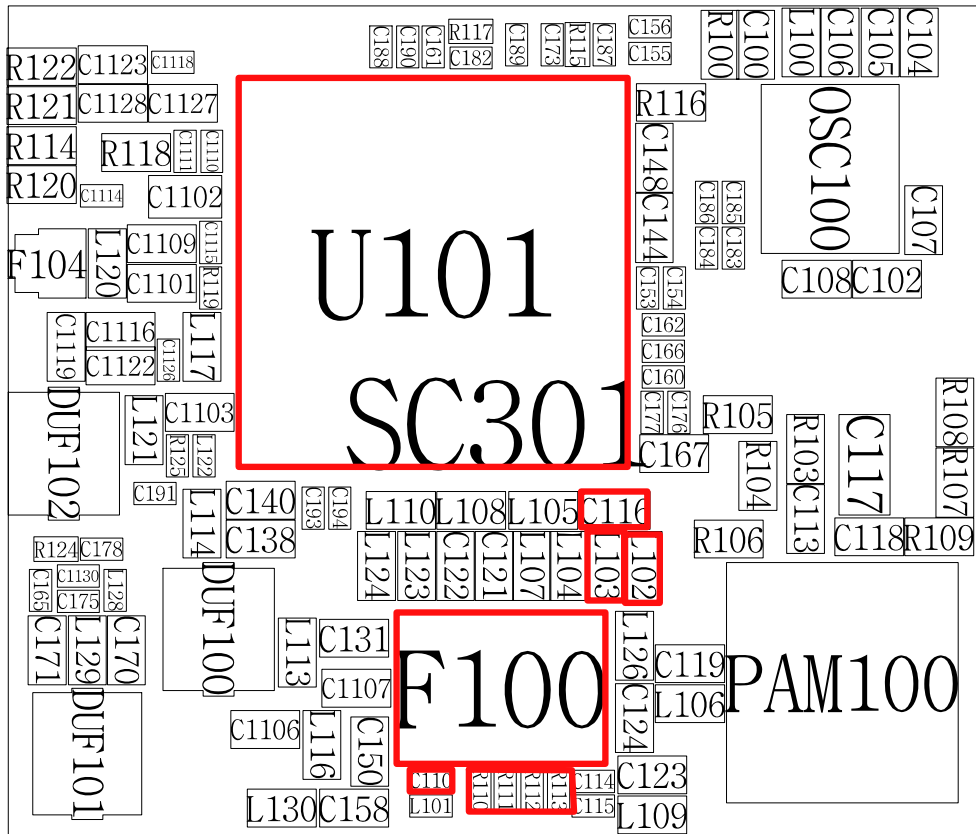
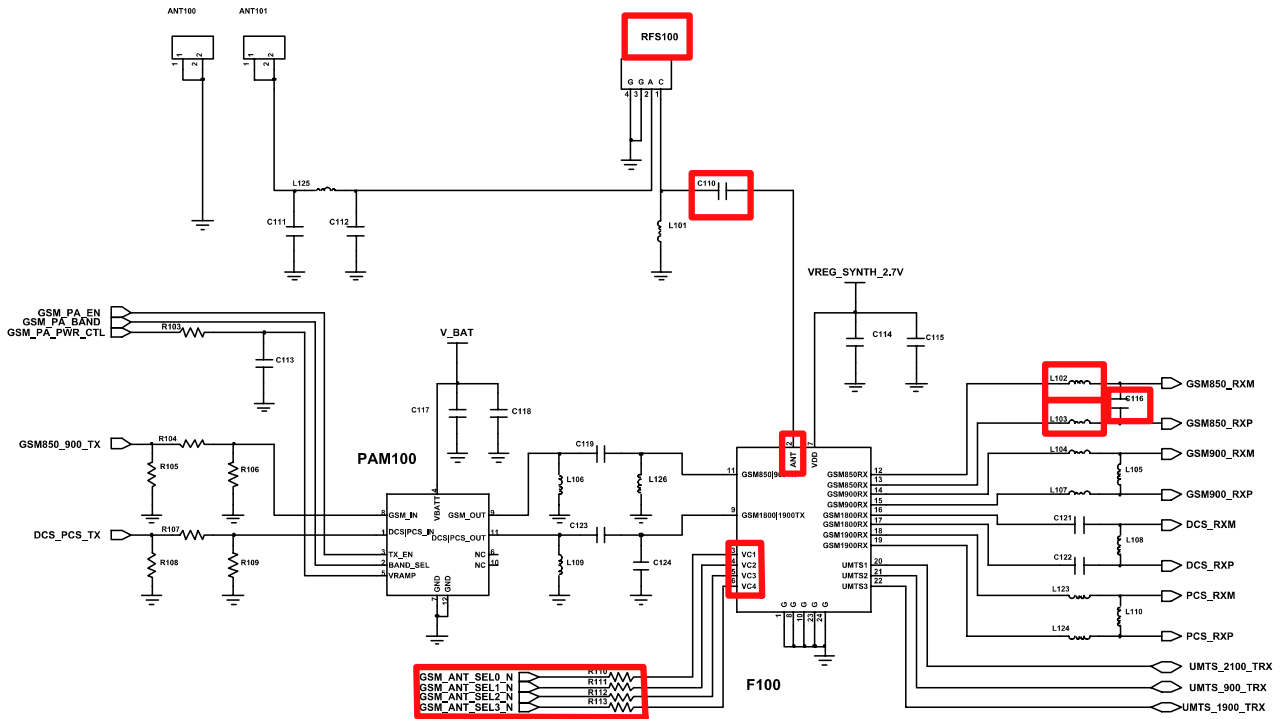




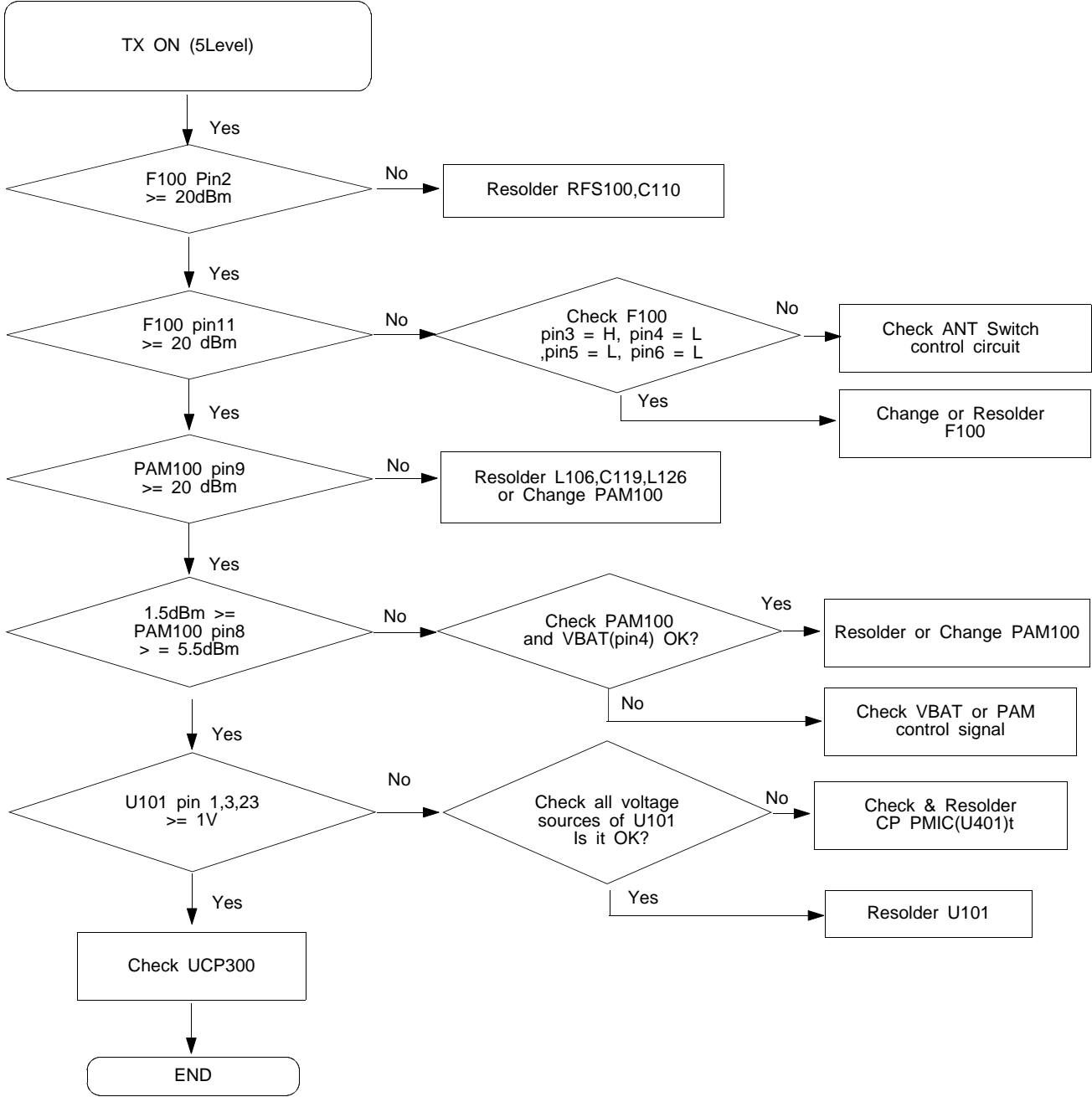


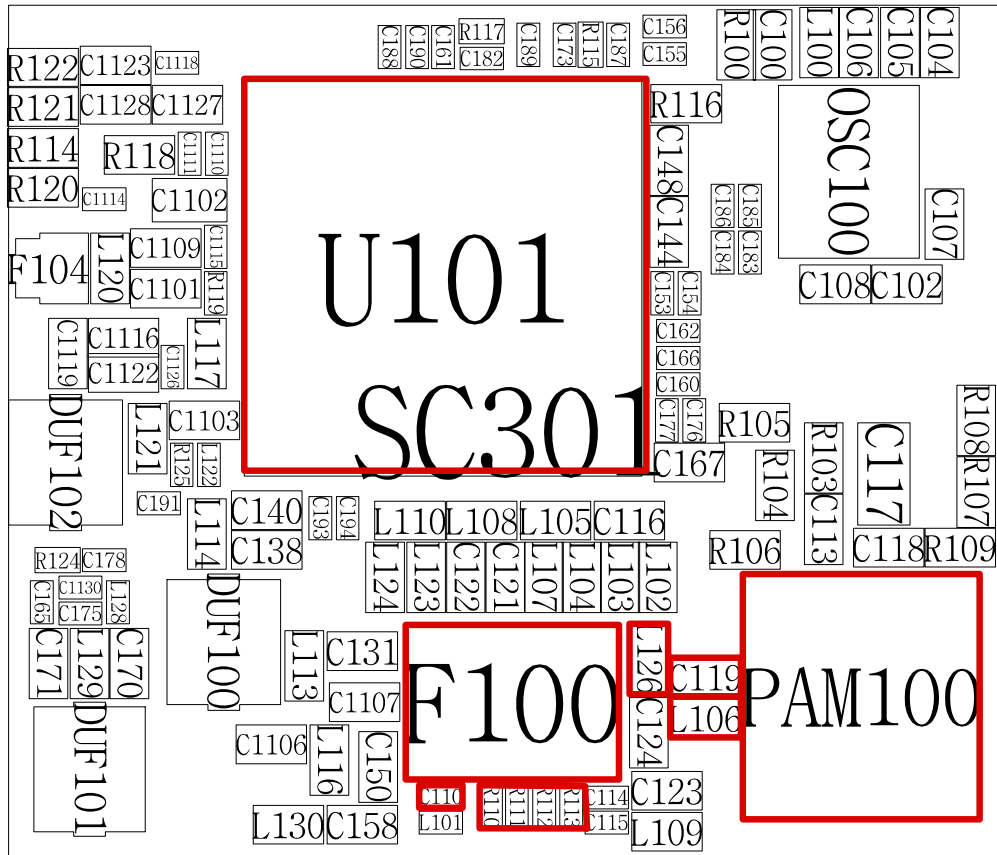
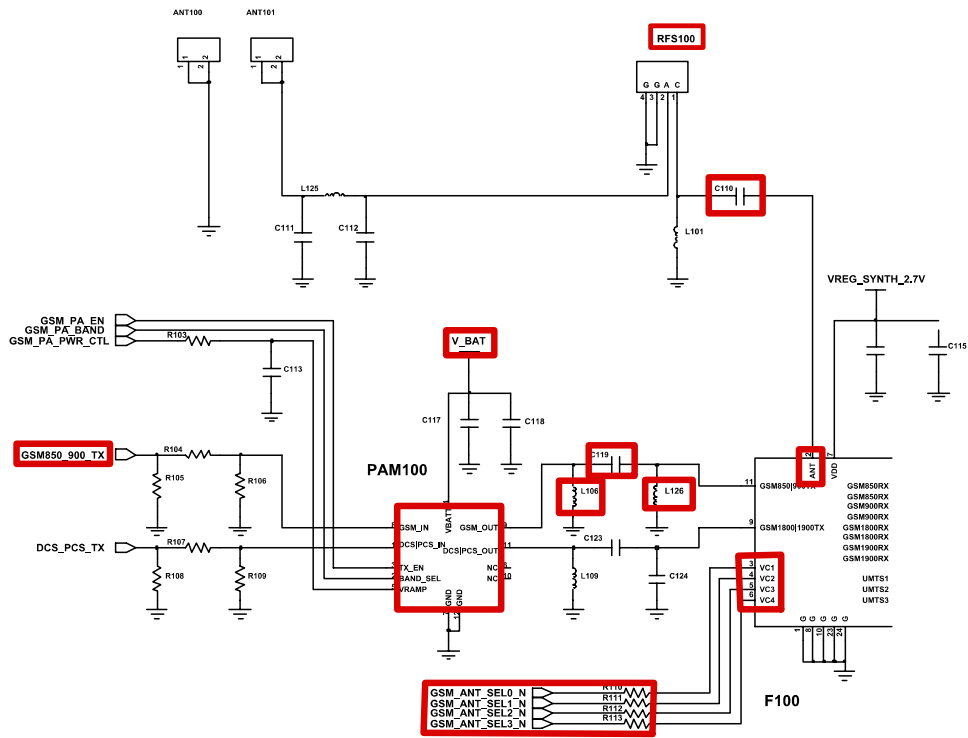
9-11. GSM850 Receiver



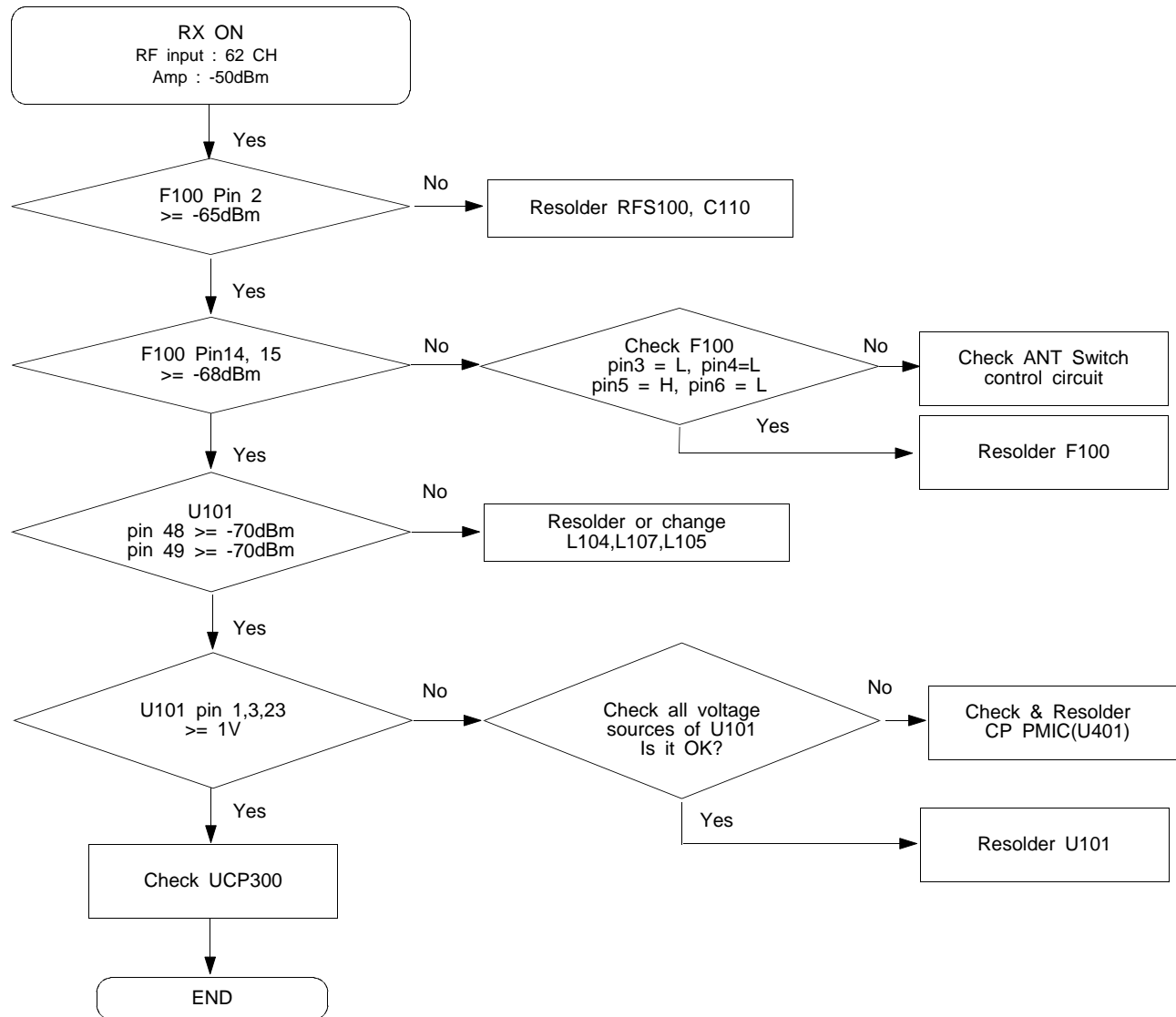


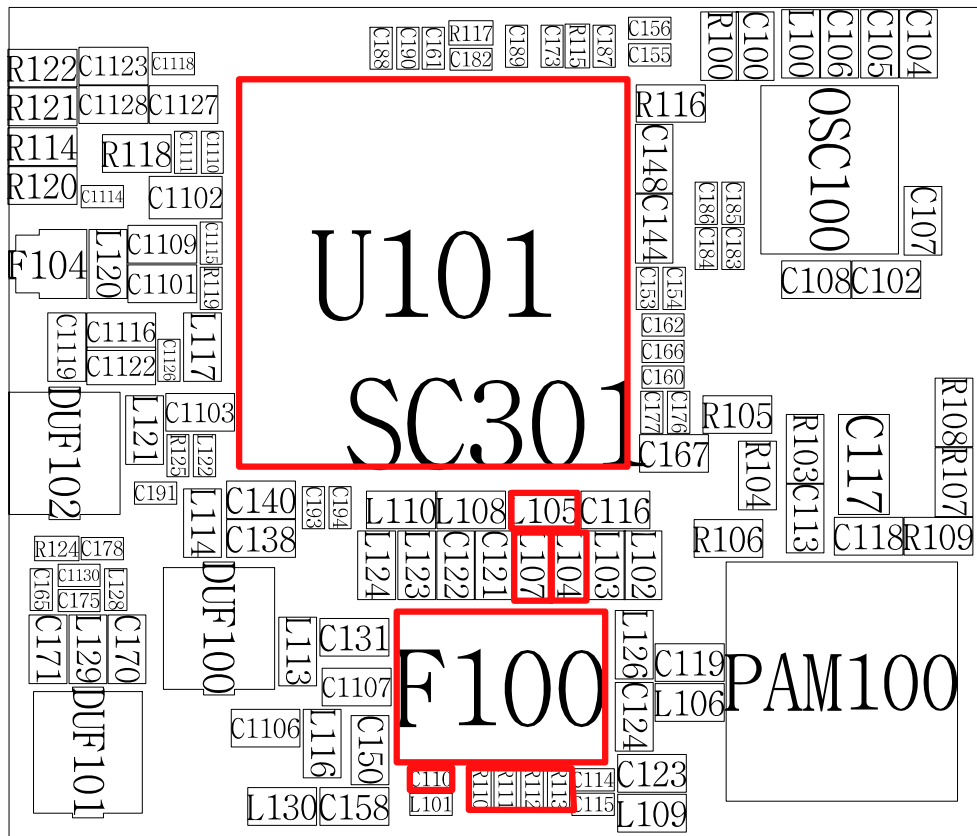
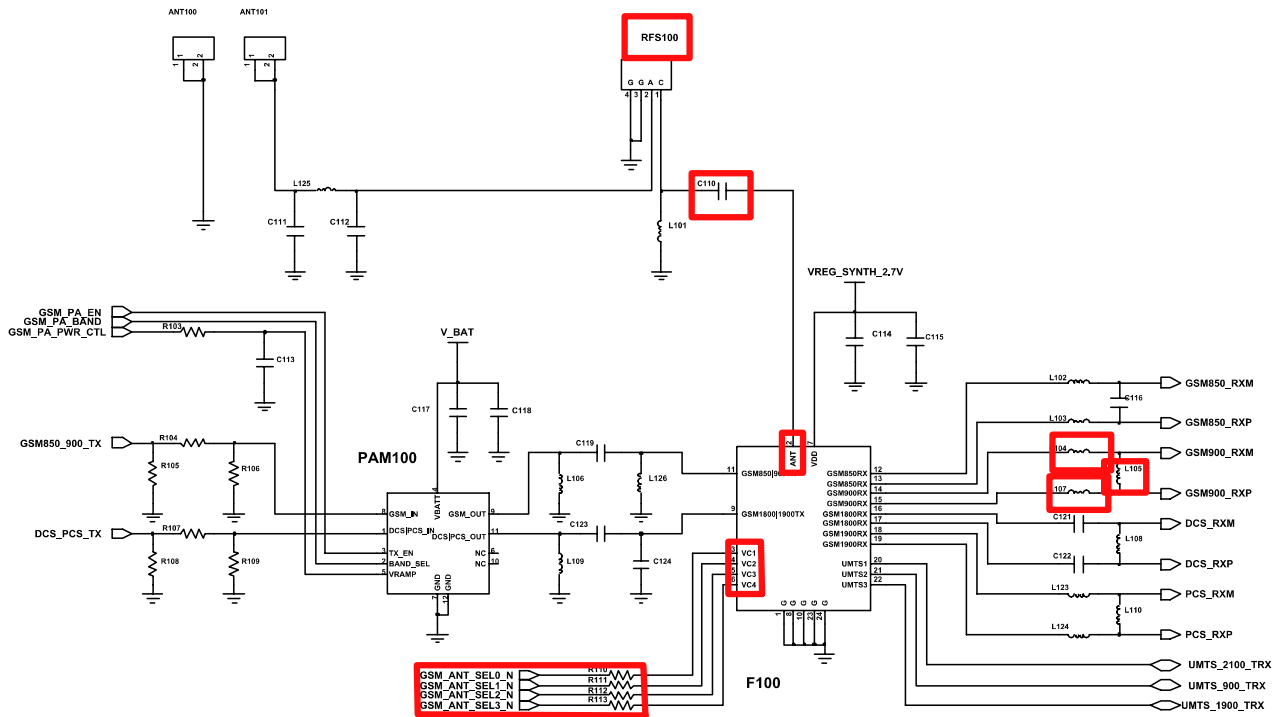
9-12. GSM850 Transmitter



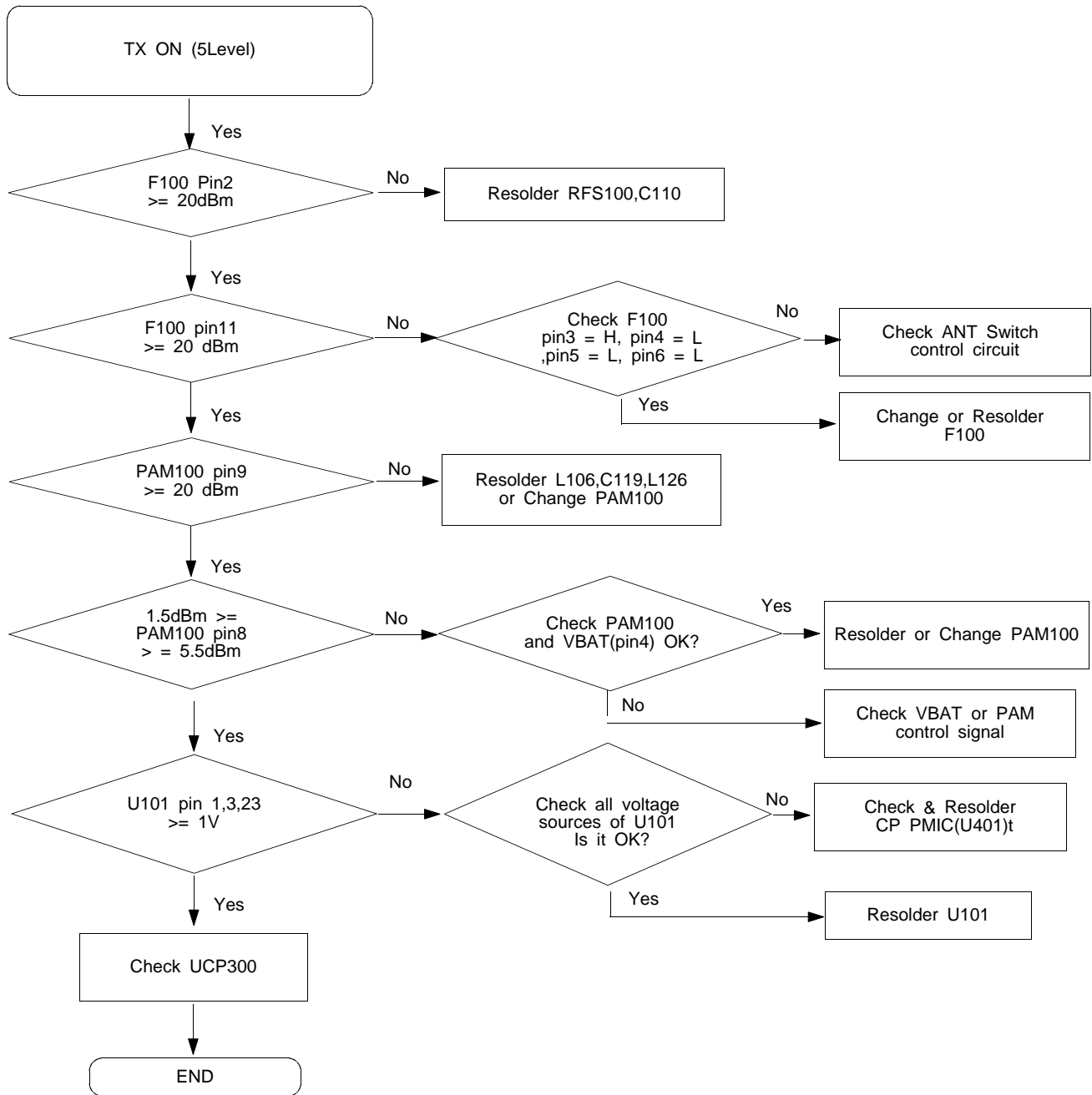


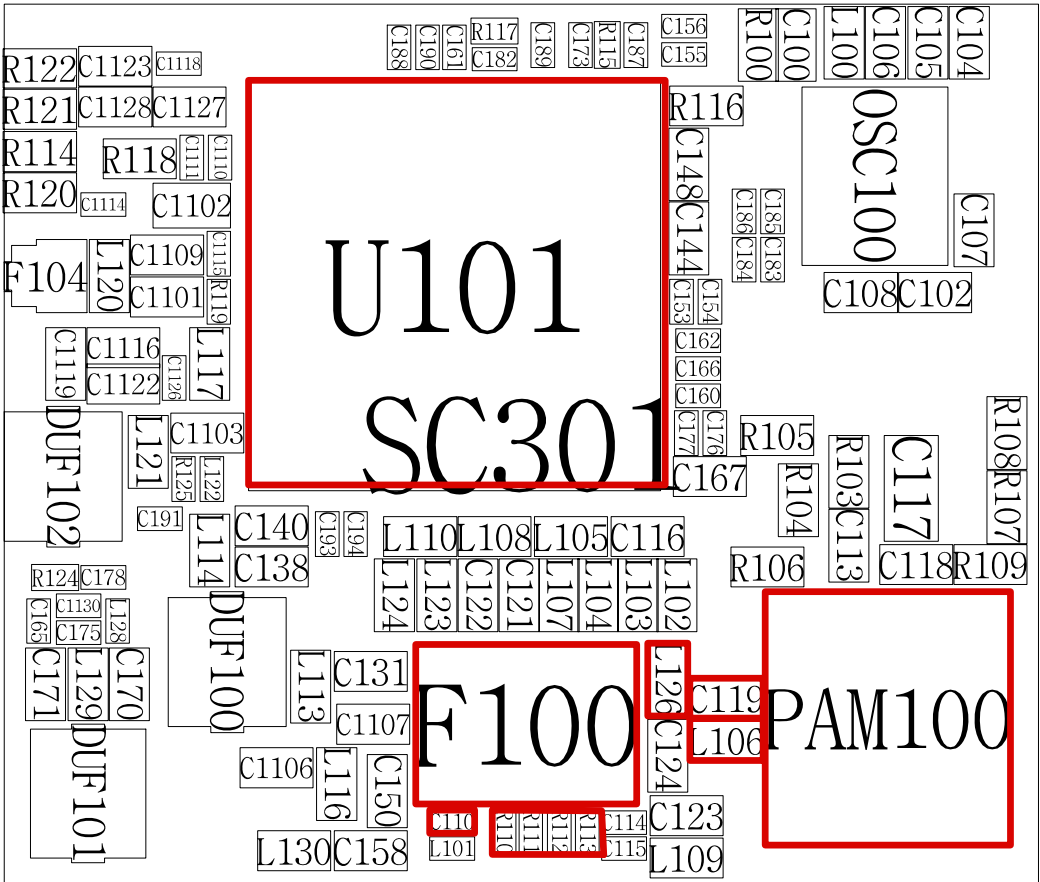
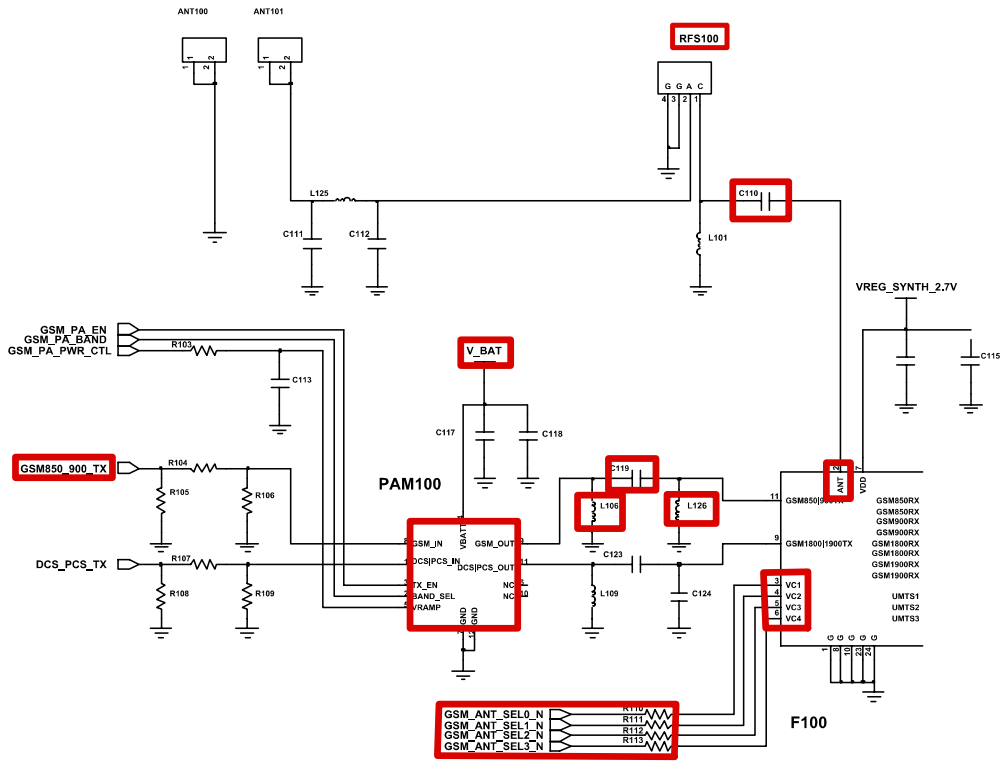
9-13. GSM900 Receiver



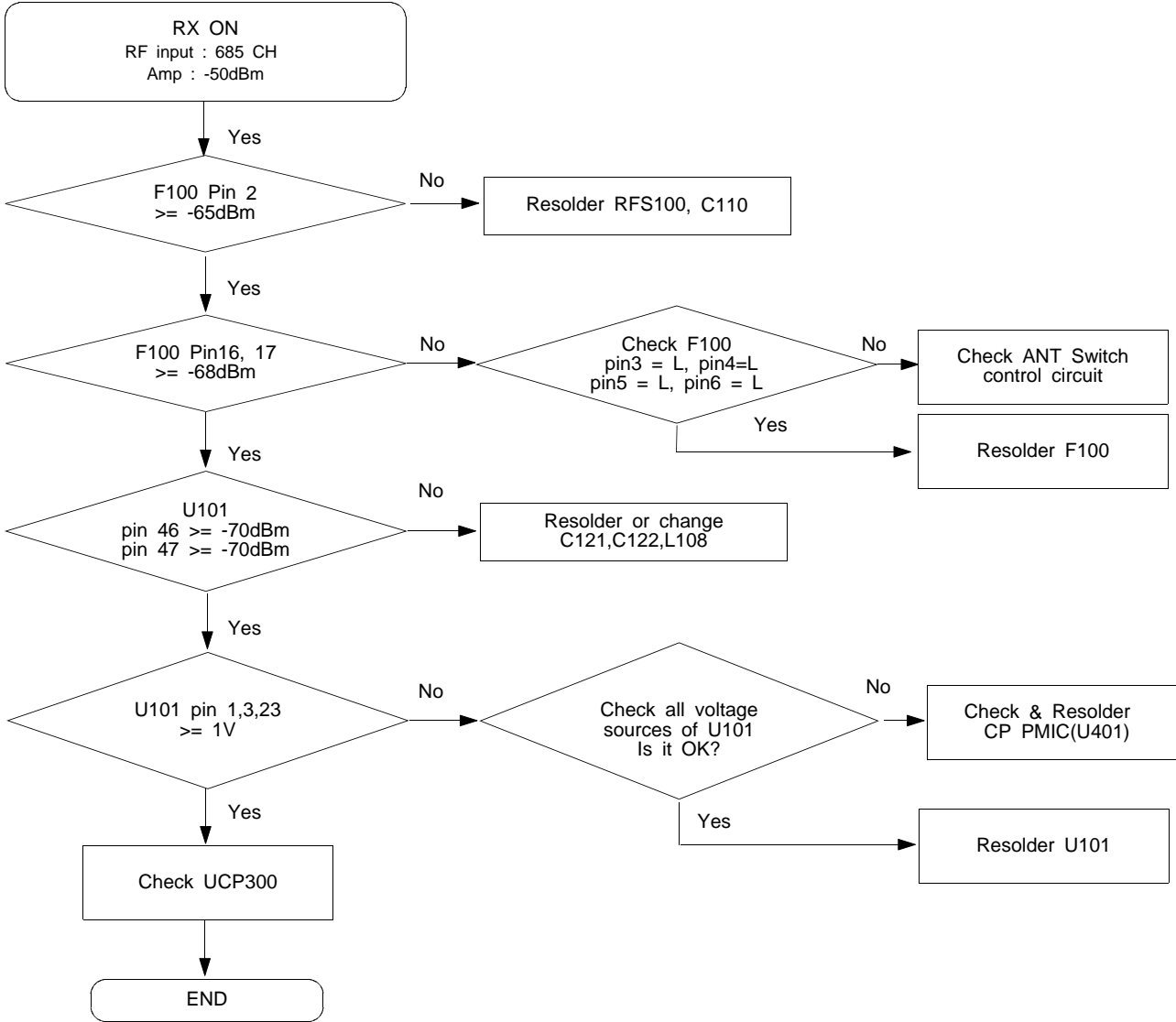


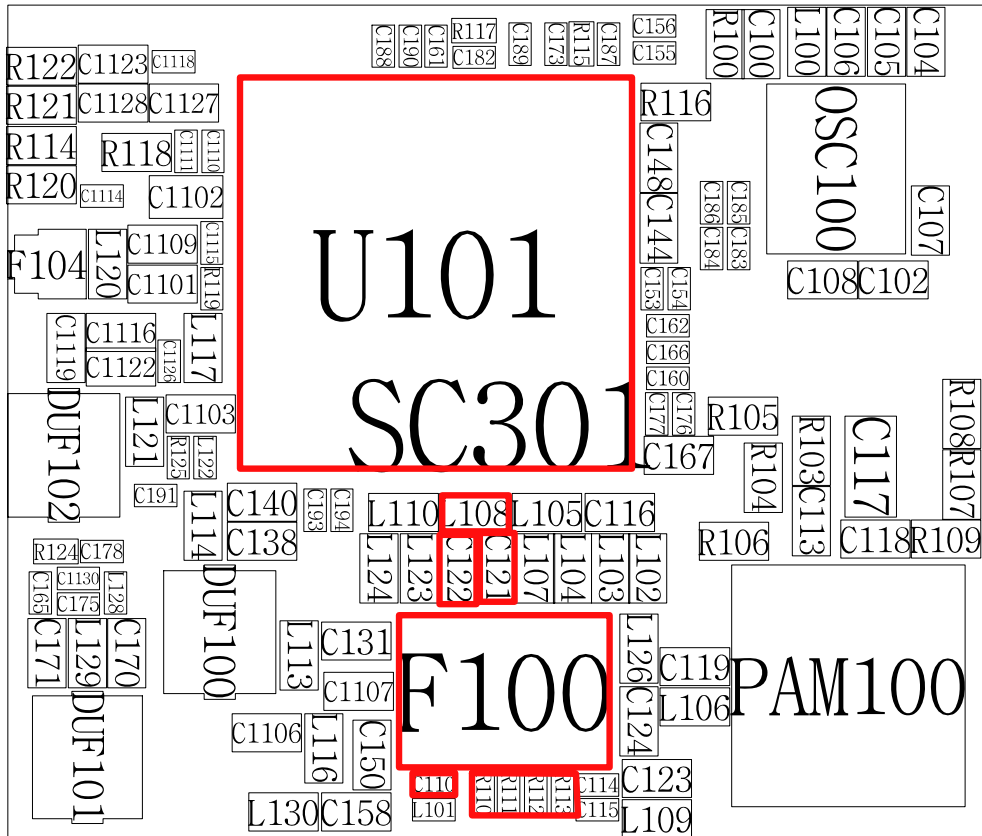
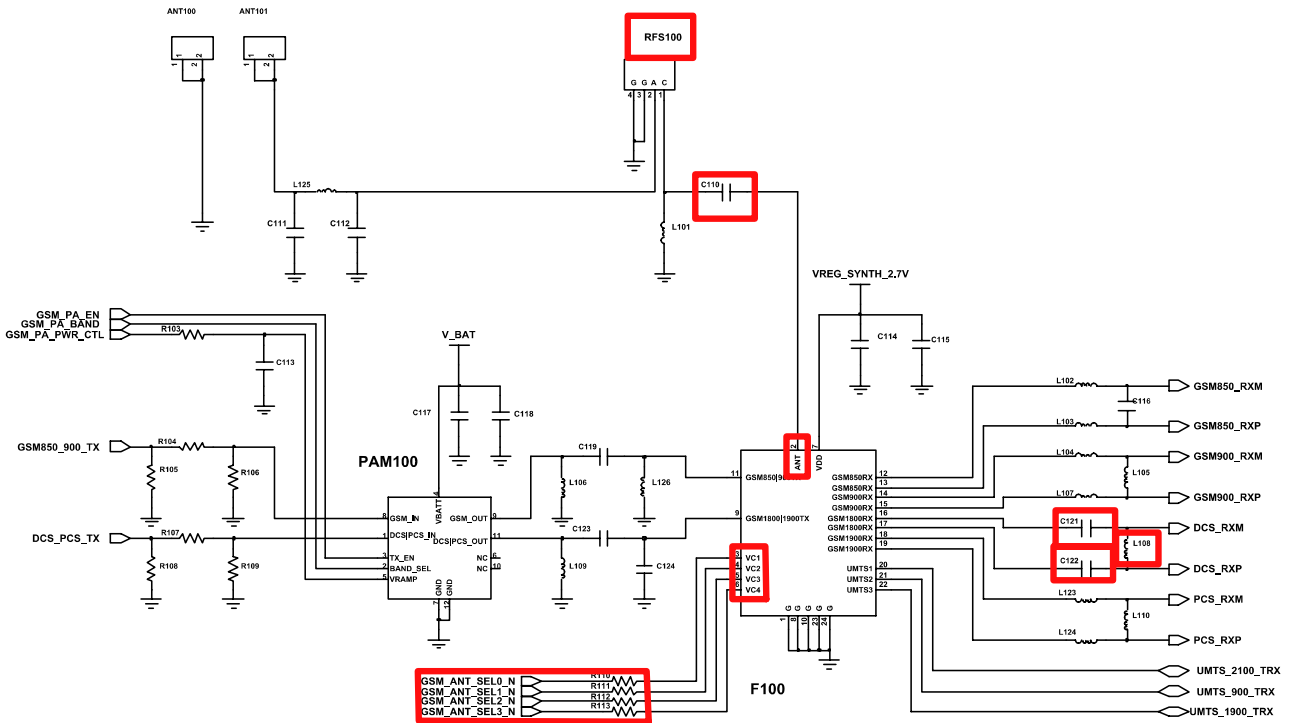
9-14. GSM900 Transmitter



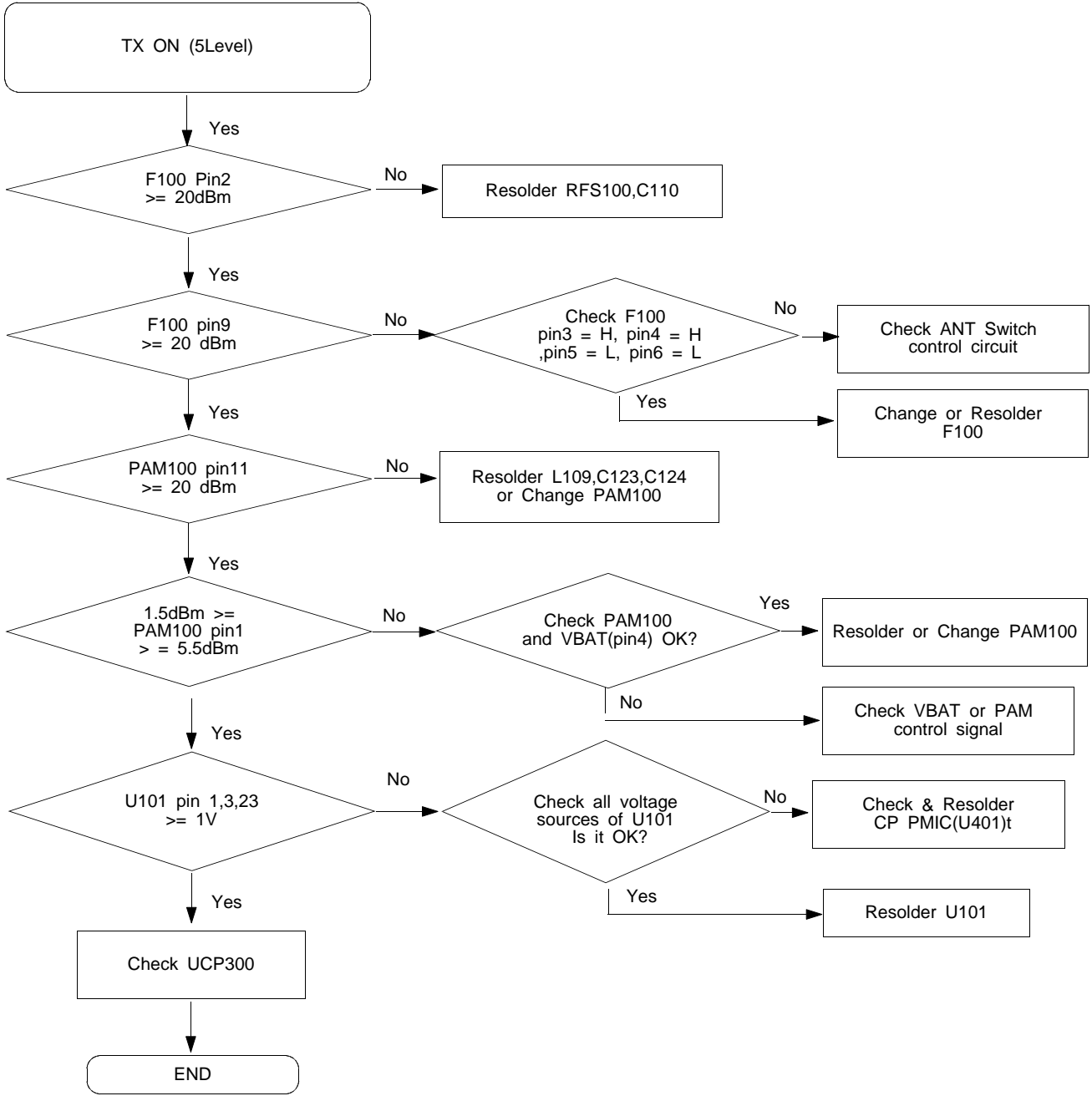


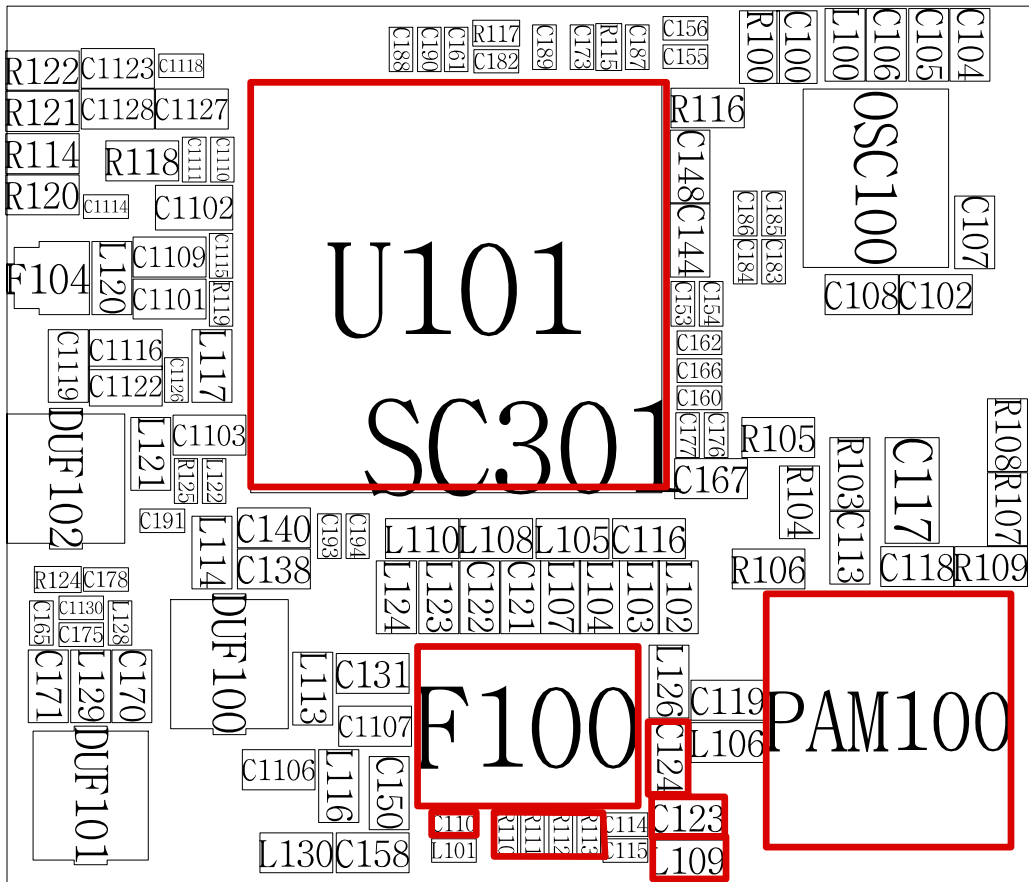
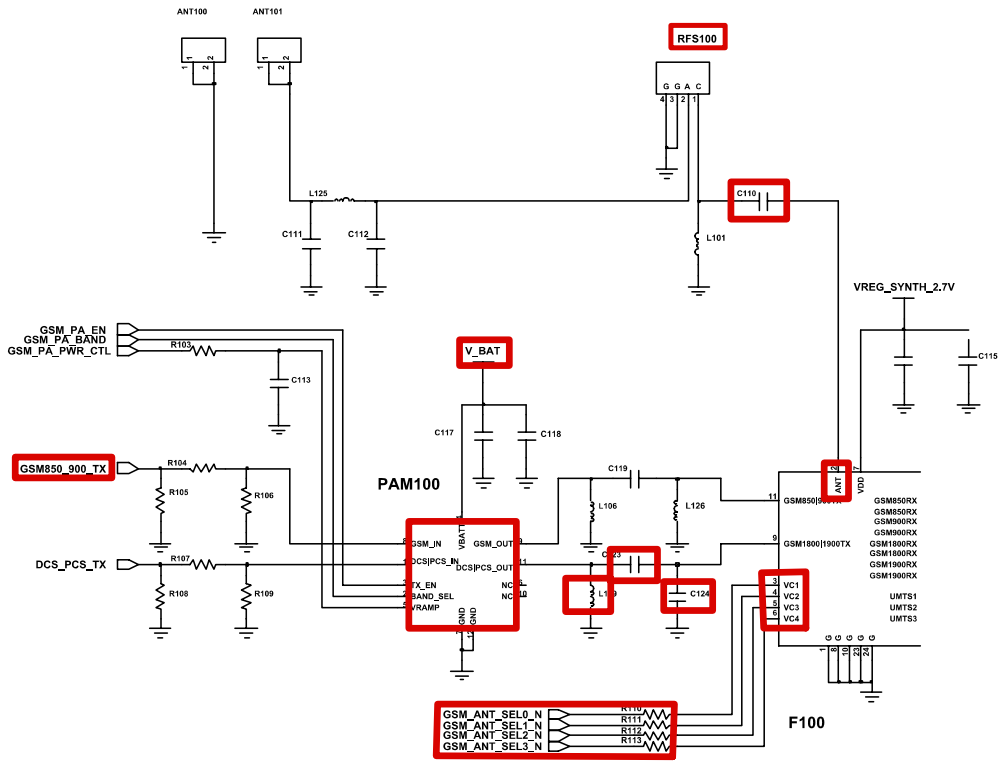
9-15. DCS1800 Receiver



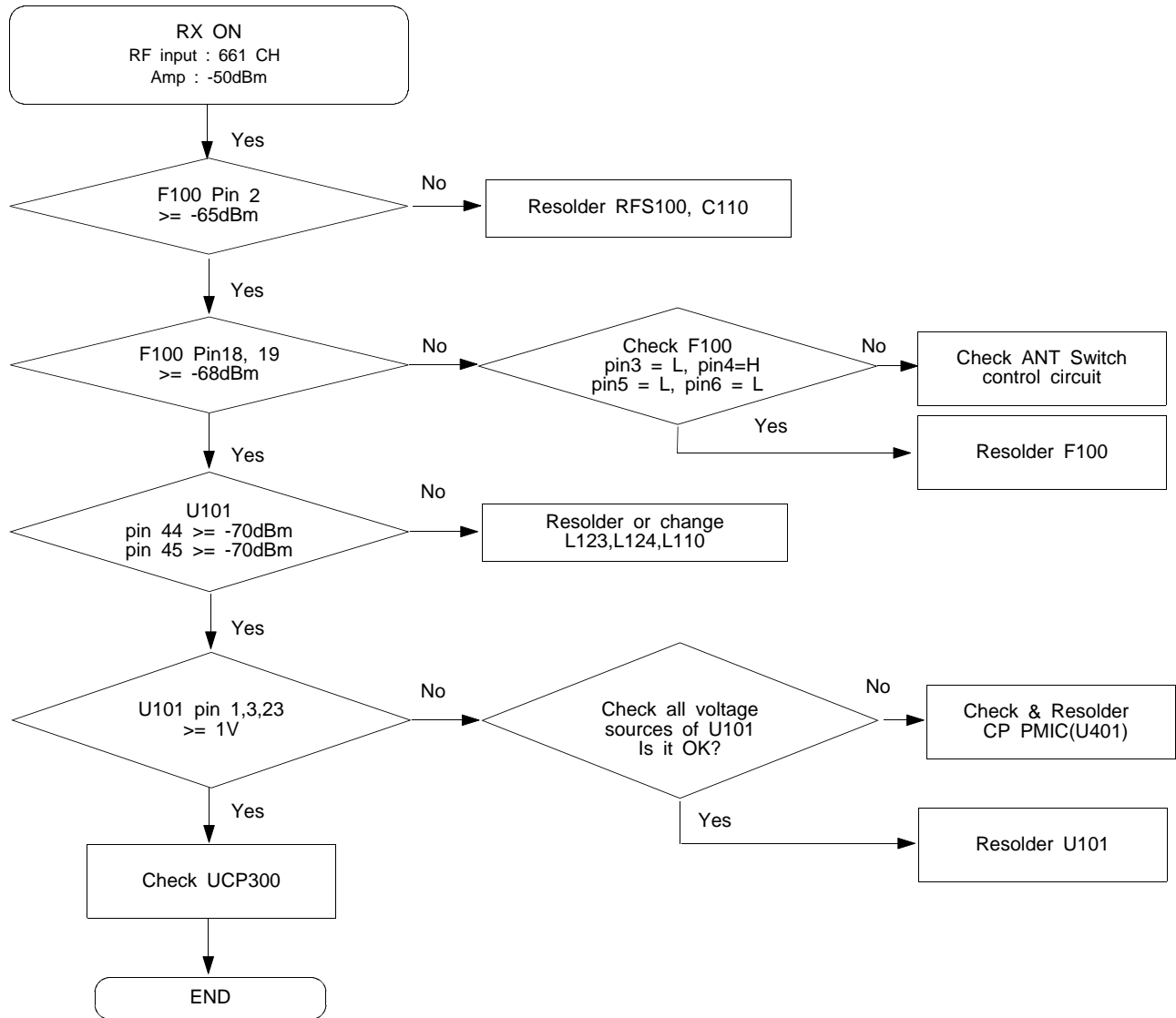


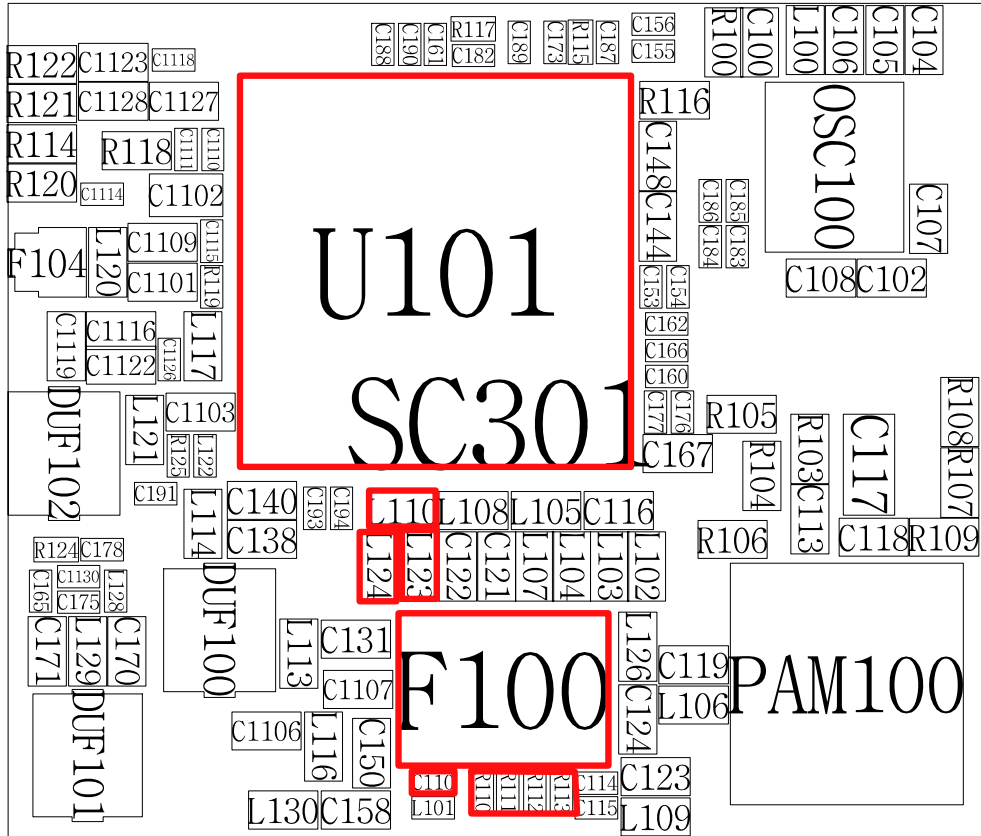
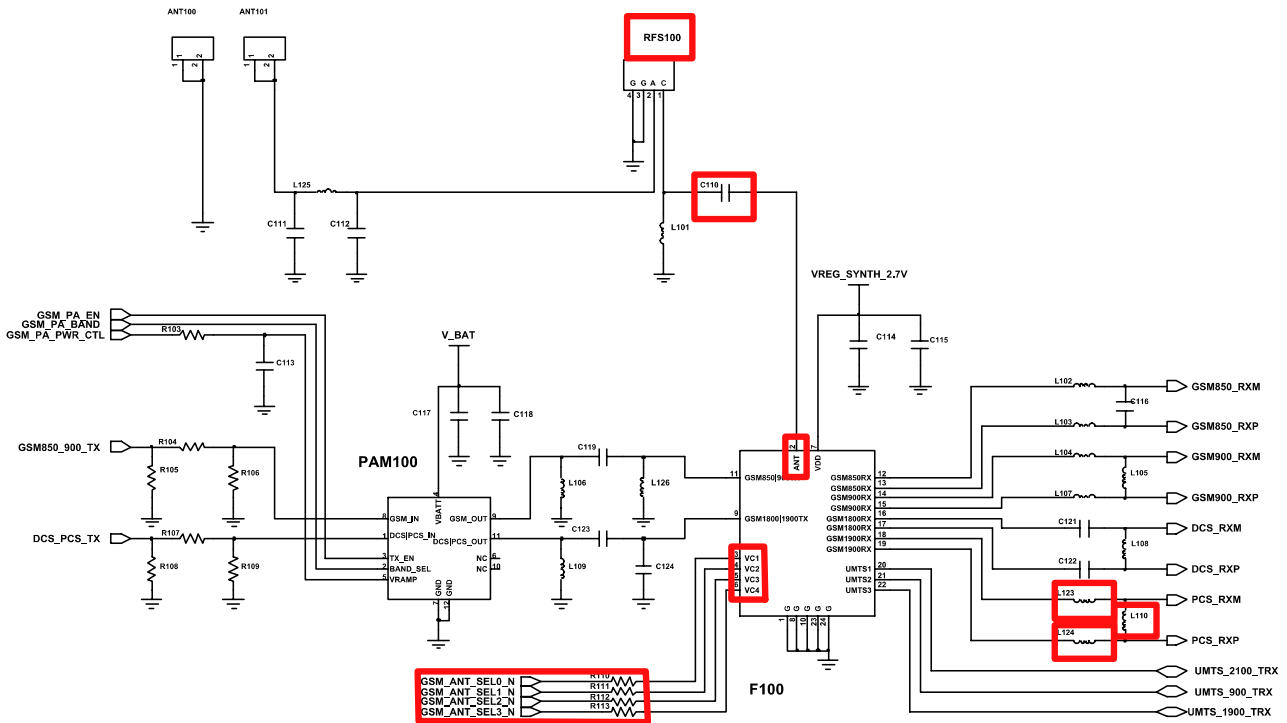
9-16. DCS1800 Transmitter



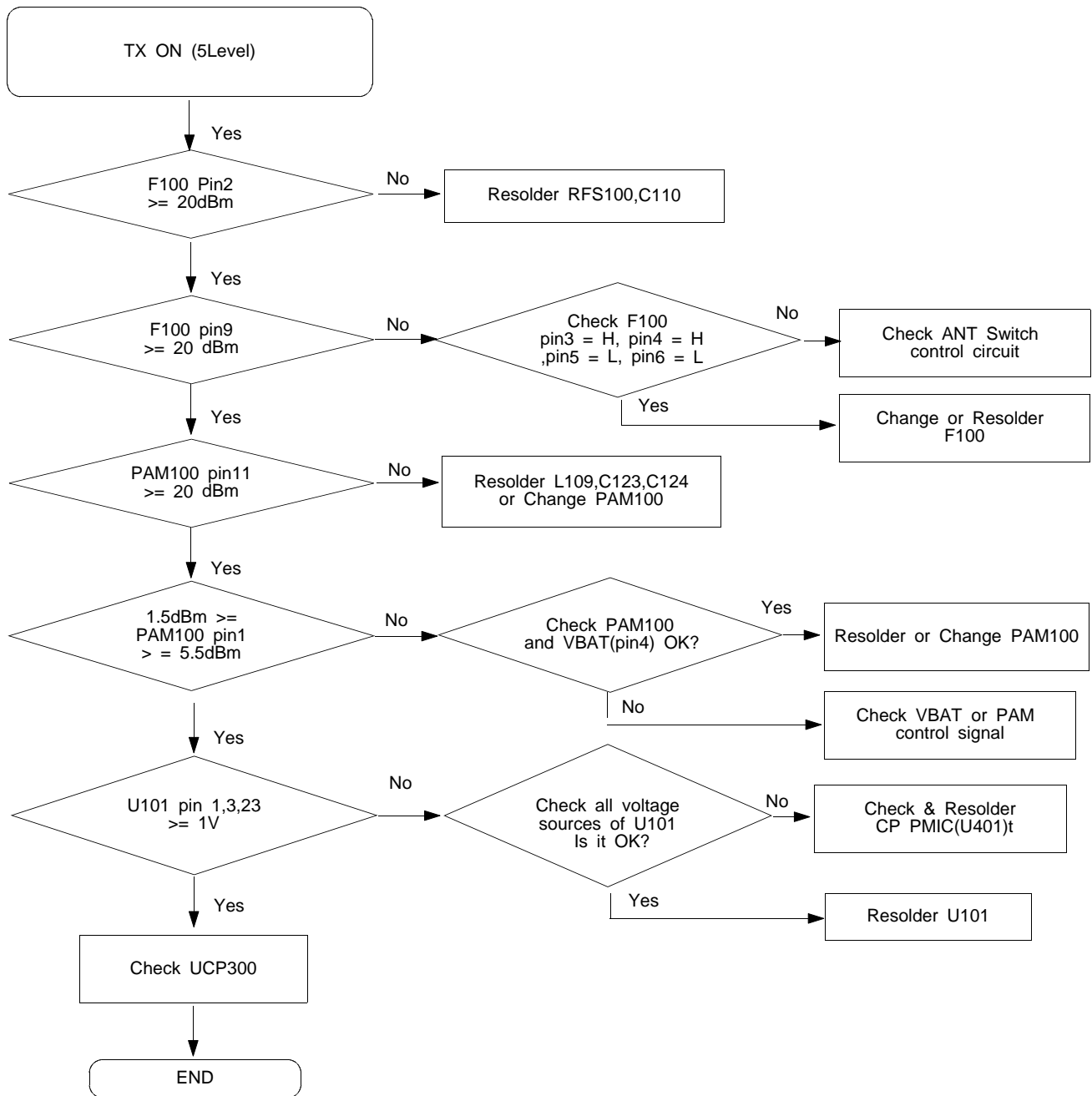


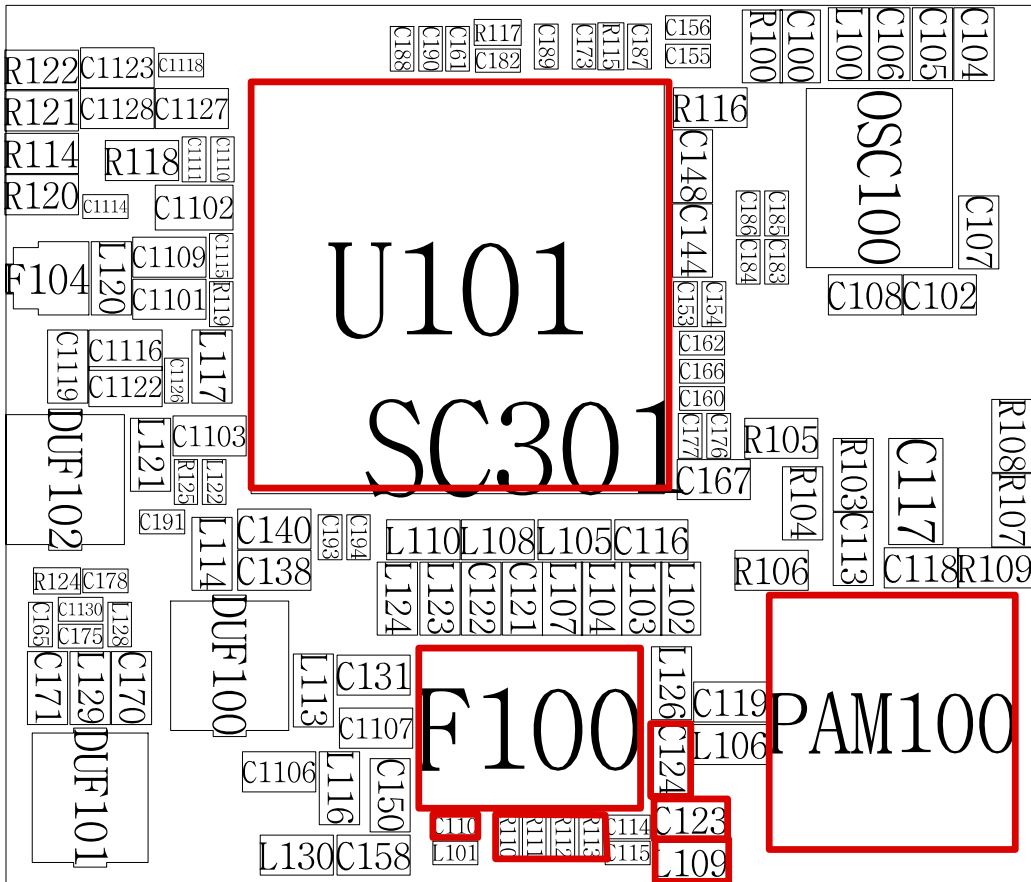
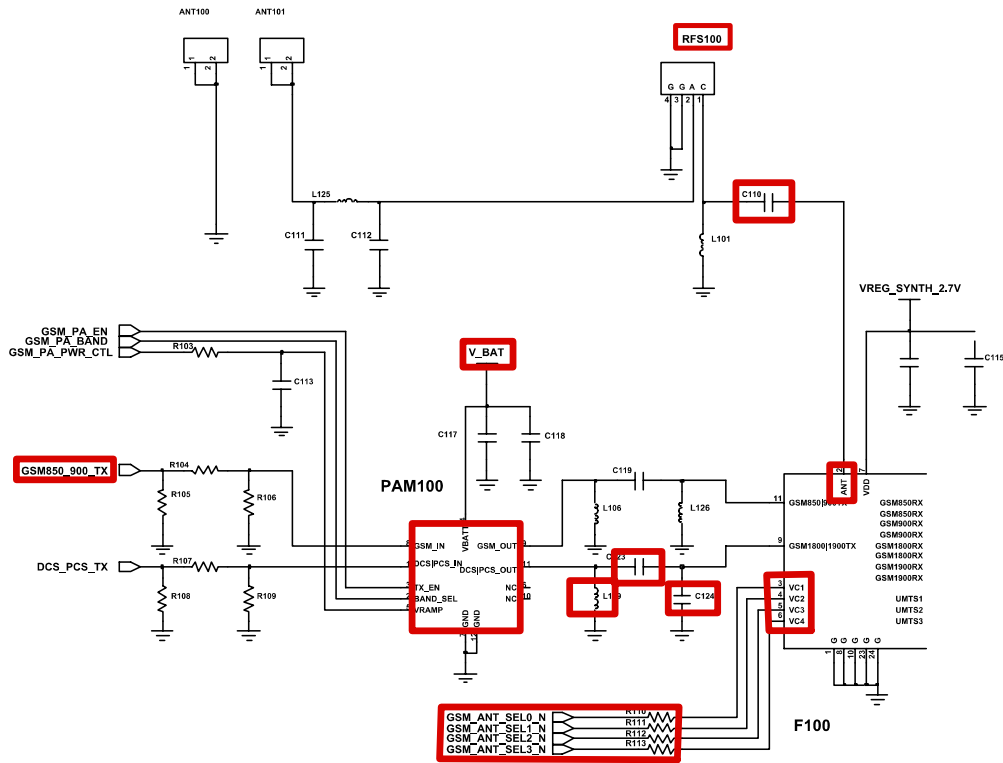
9-17. PCS1900 Receiver





9-18. PCS1900 Transmitter

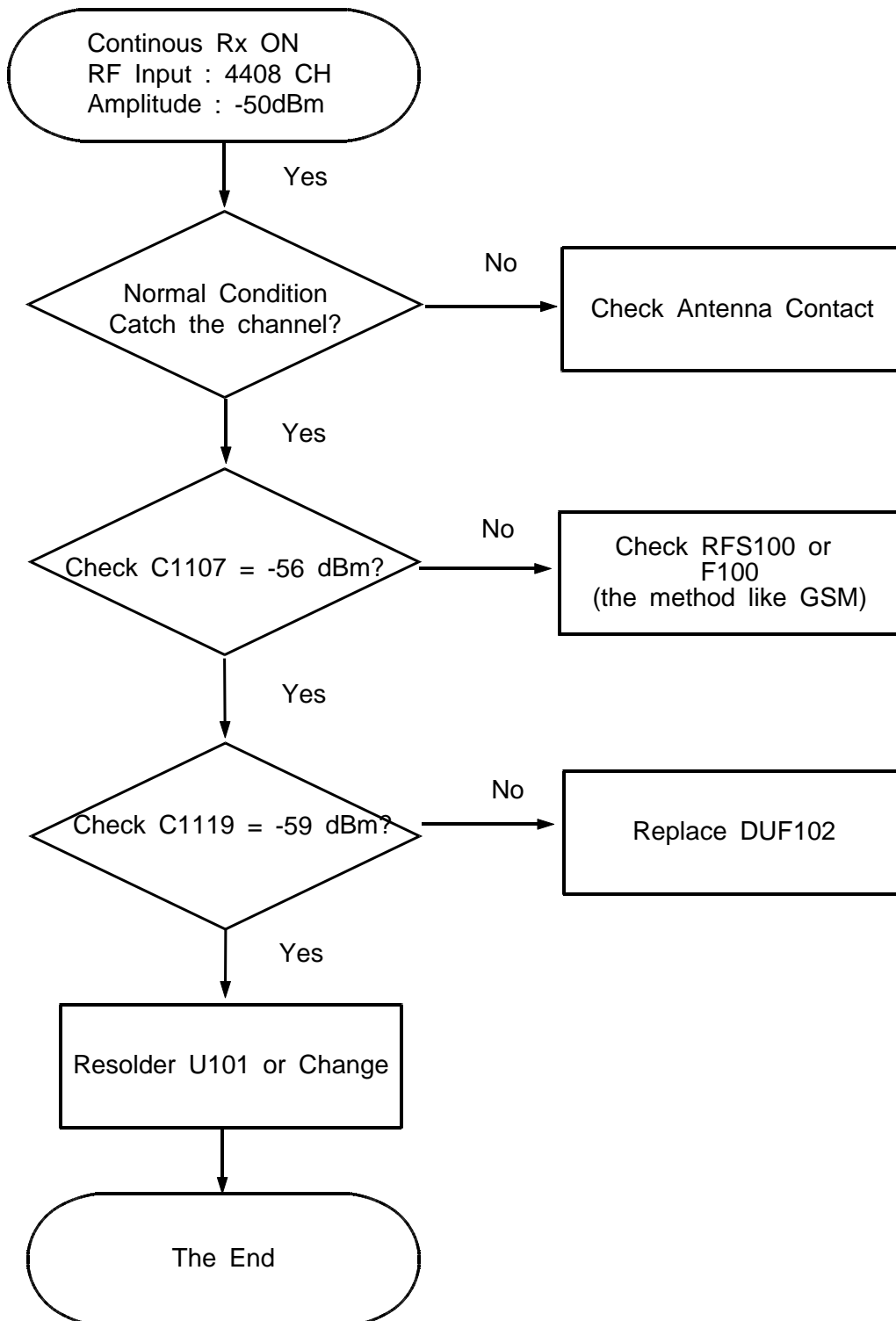


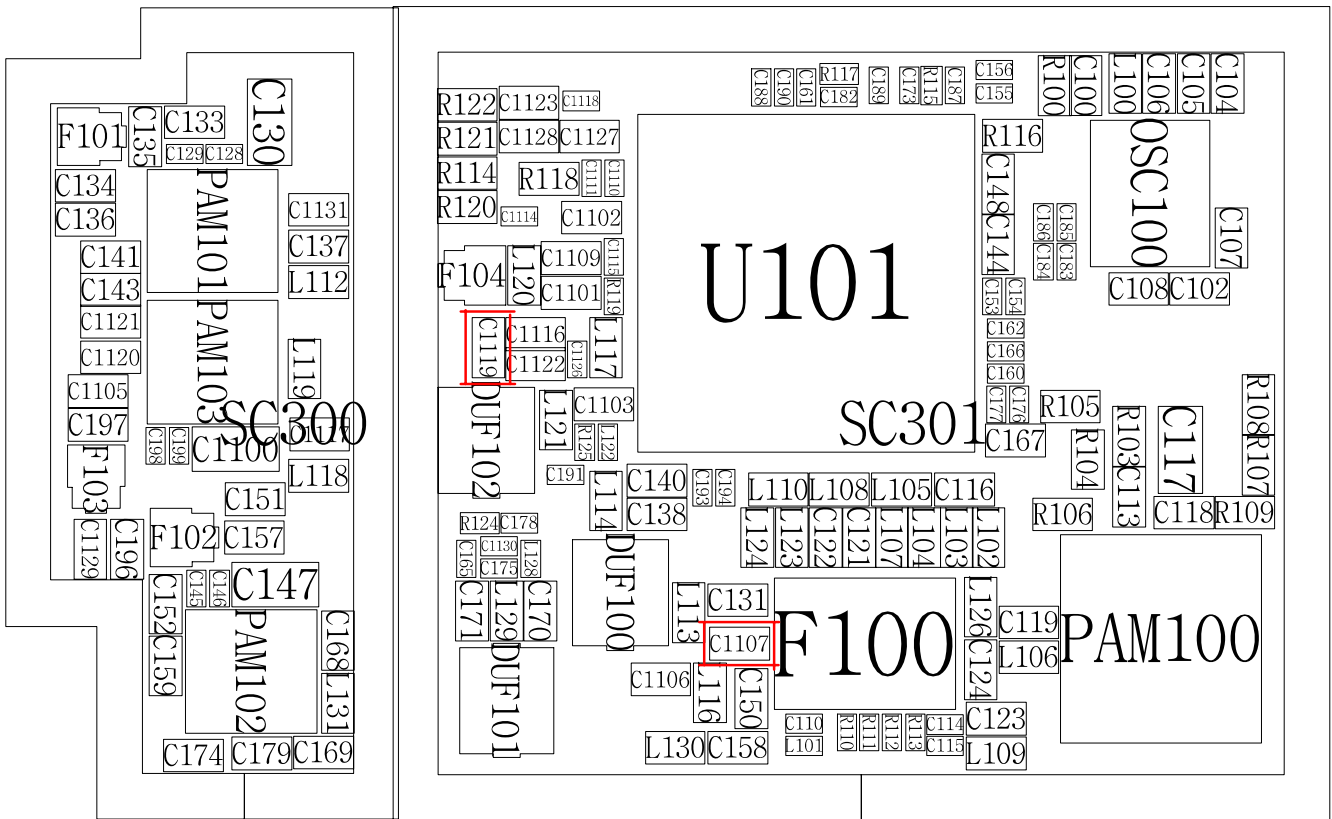
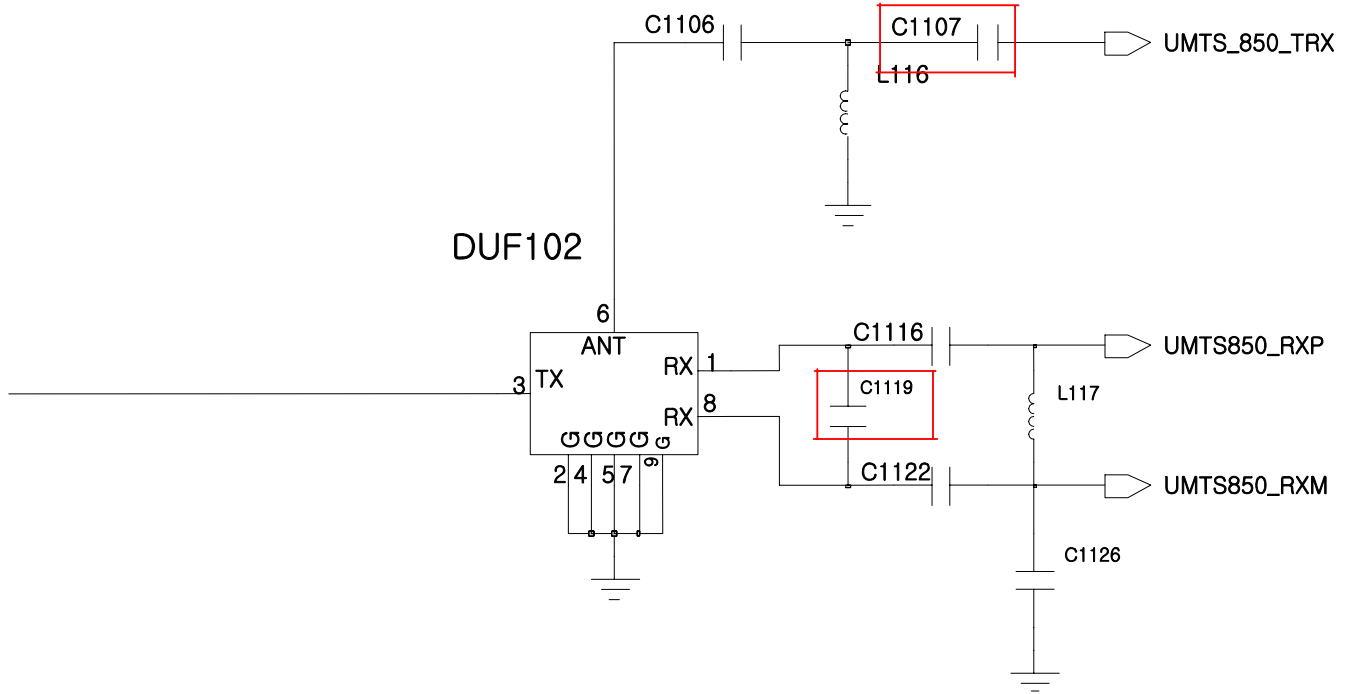


9-19. WCDMA850 Receiver

**If you check the tx chain,

Check the not only RF Device but also resistor, inductor and capacitor.

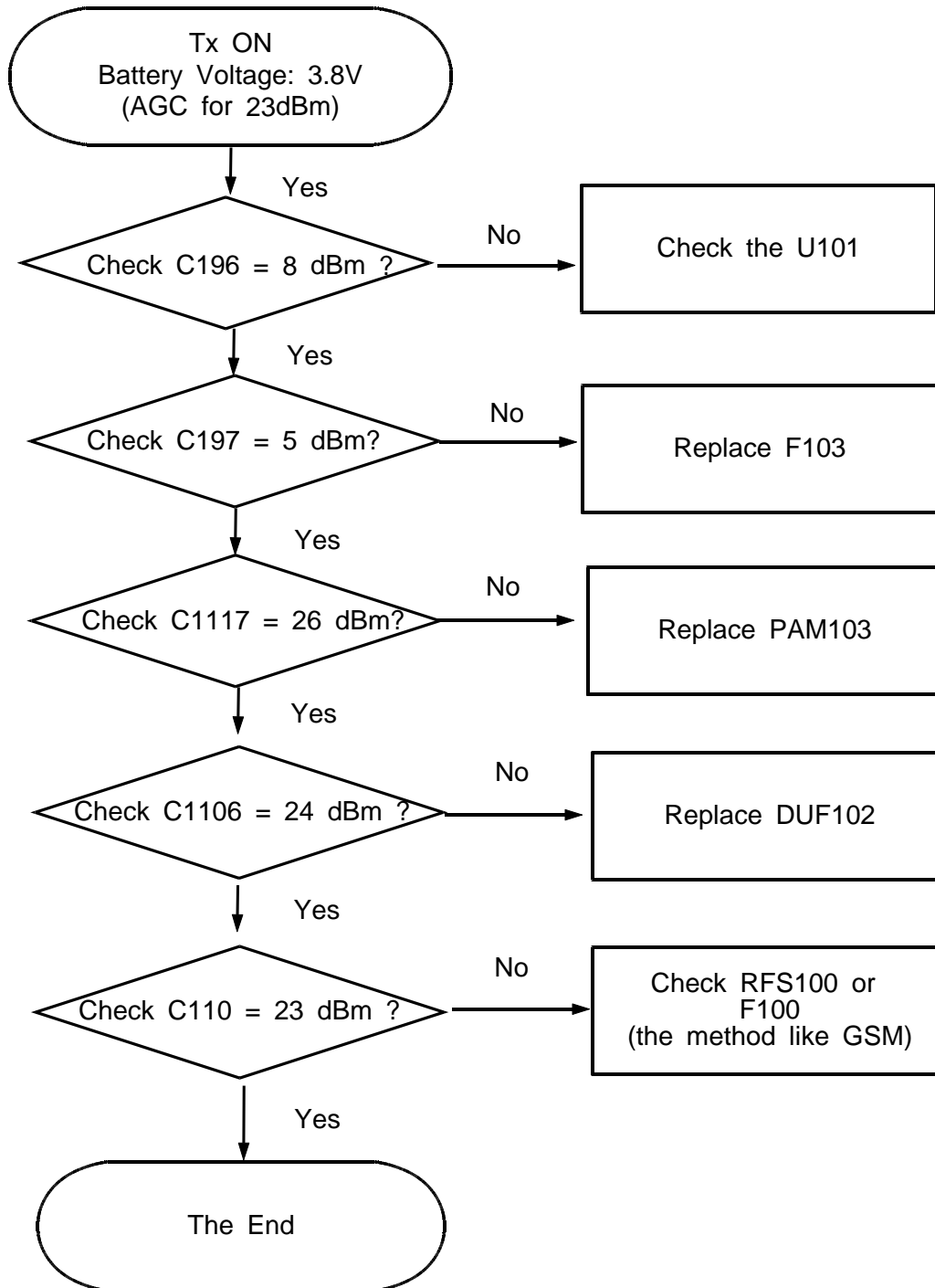


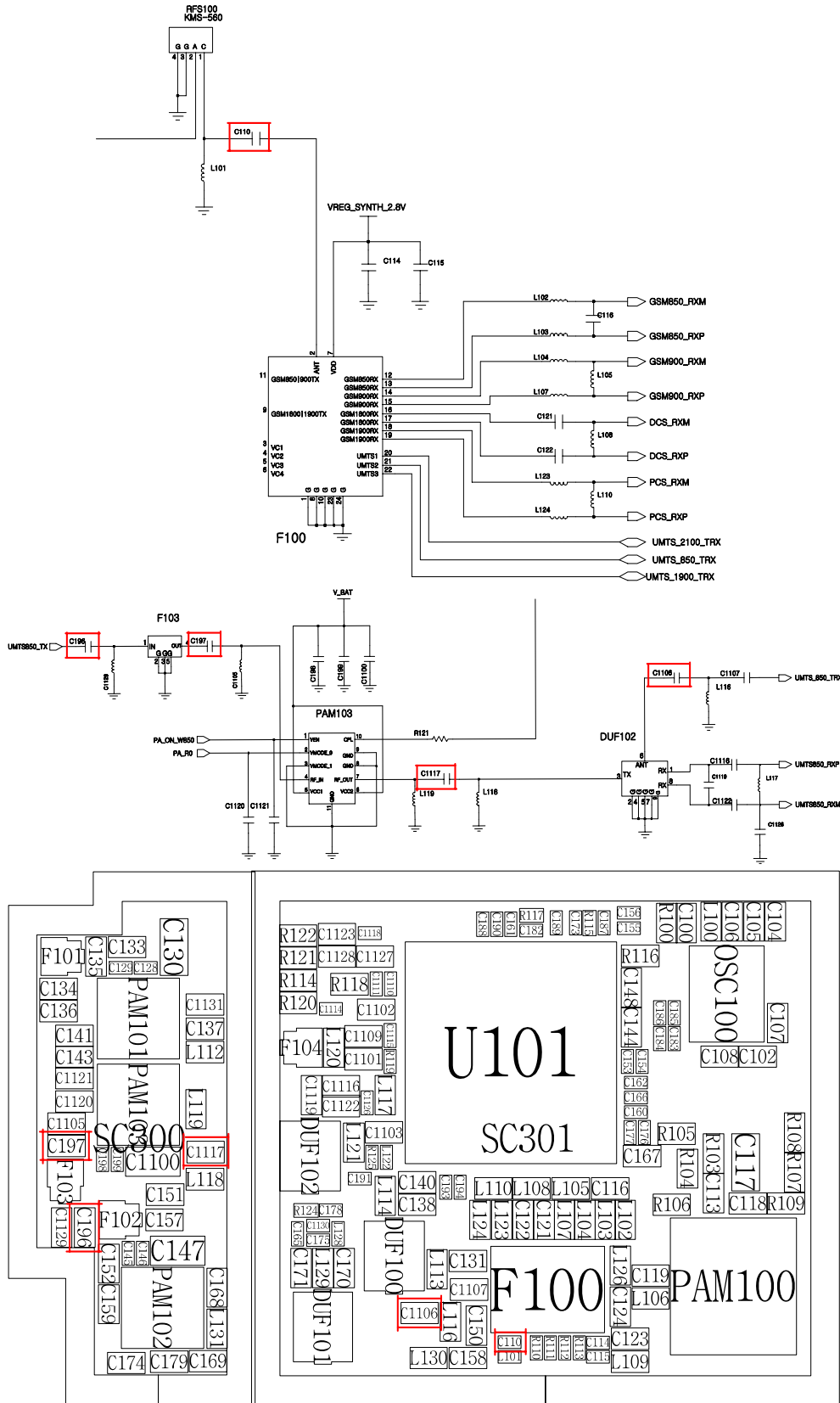


9-20. WCDMA850 Transmitter

**If you check the tx chain,

Check the not only RF Device but also resistor, inductor and capacitor.

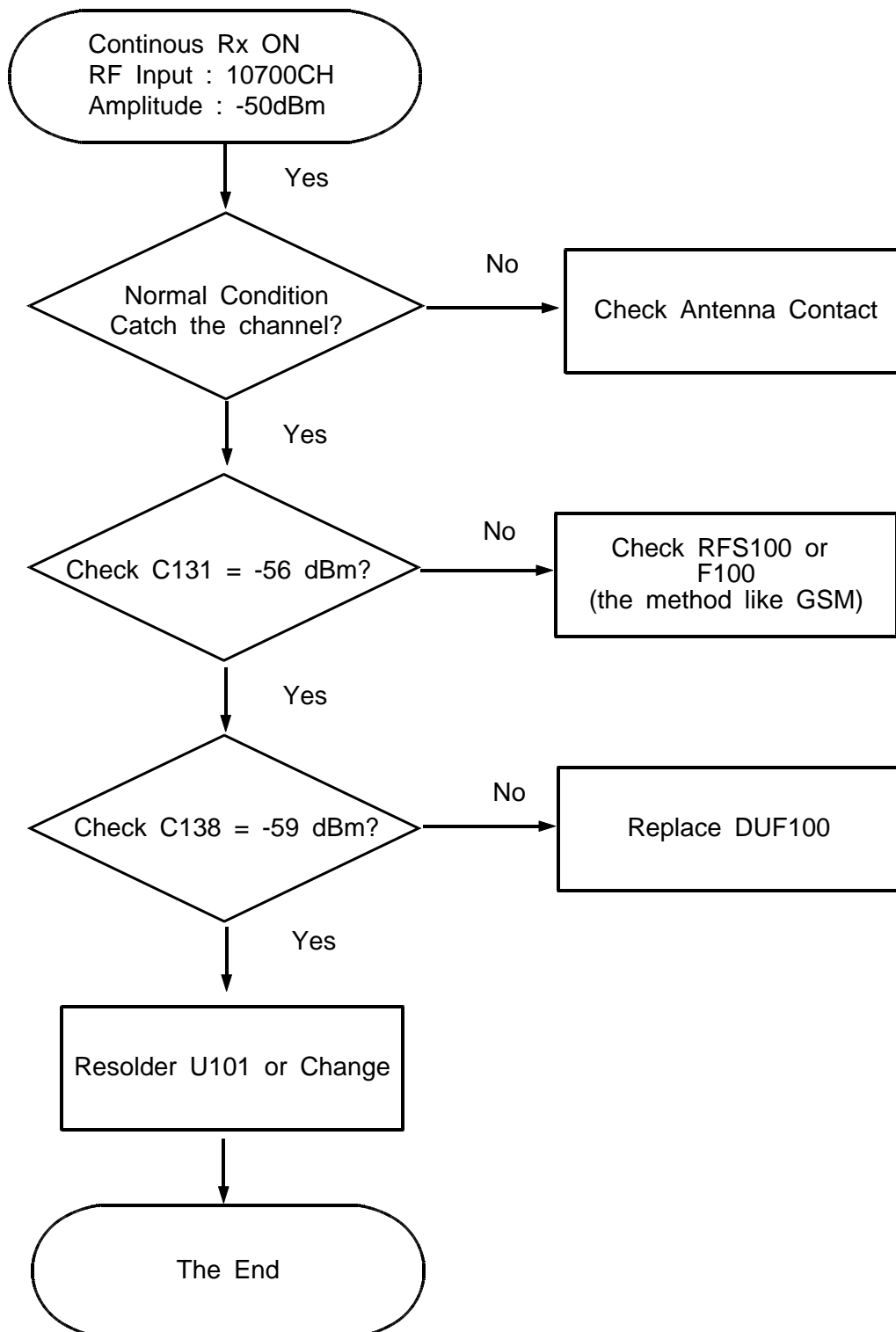


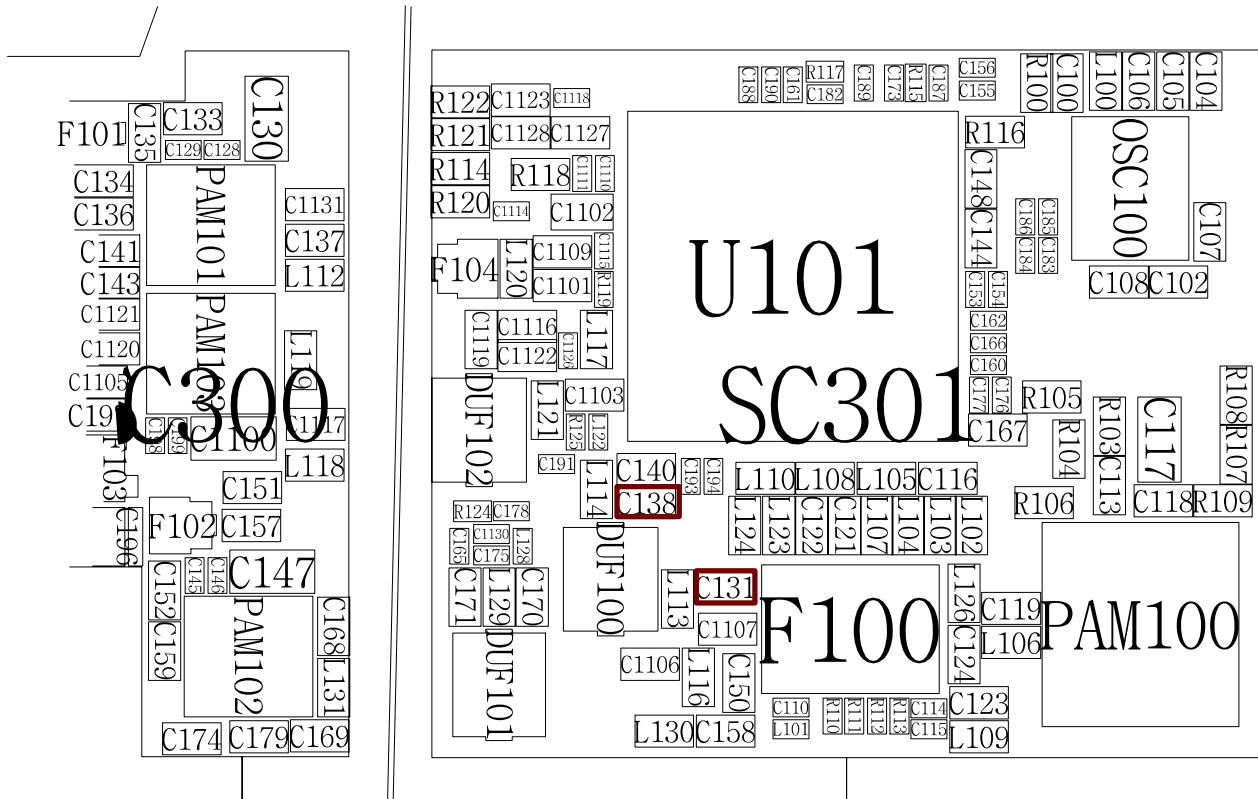
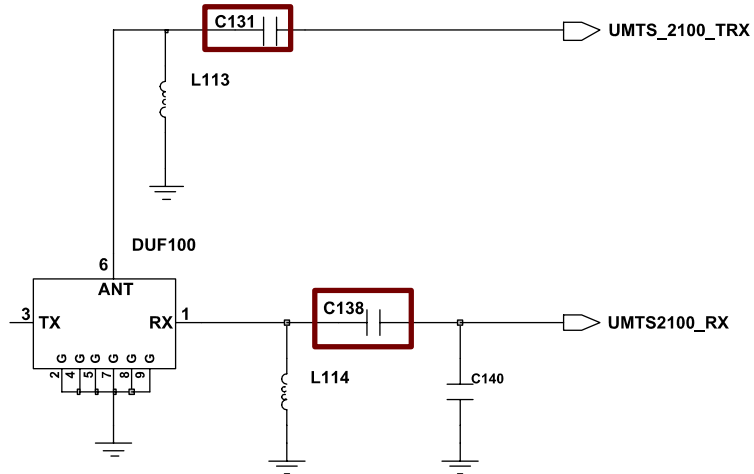


9-21. WCDMA2100 Receiver

**If you check the tx chain,

Check the not only RF Device but also resistor, inductor and capacitor.

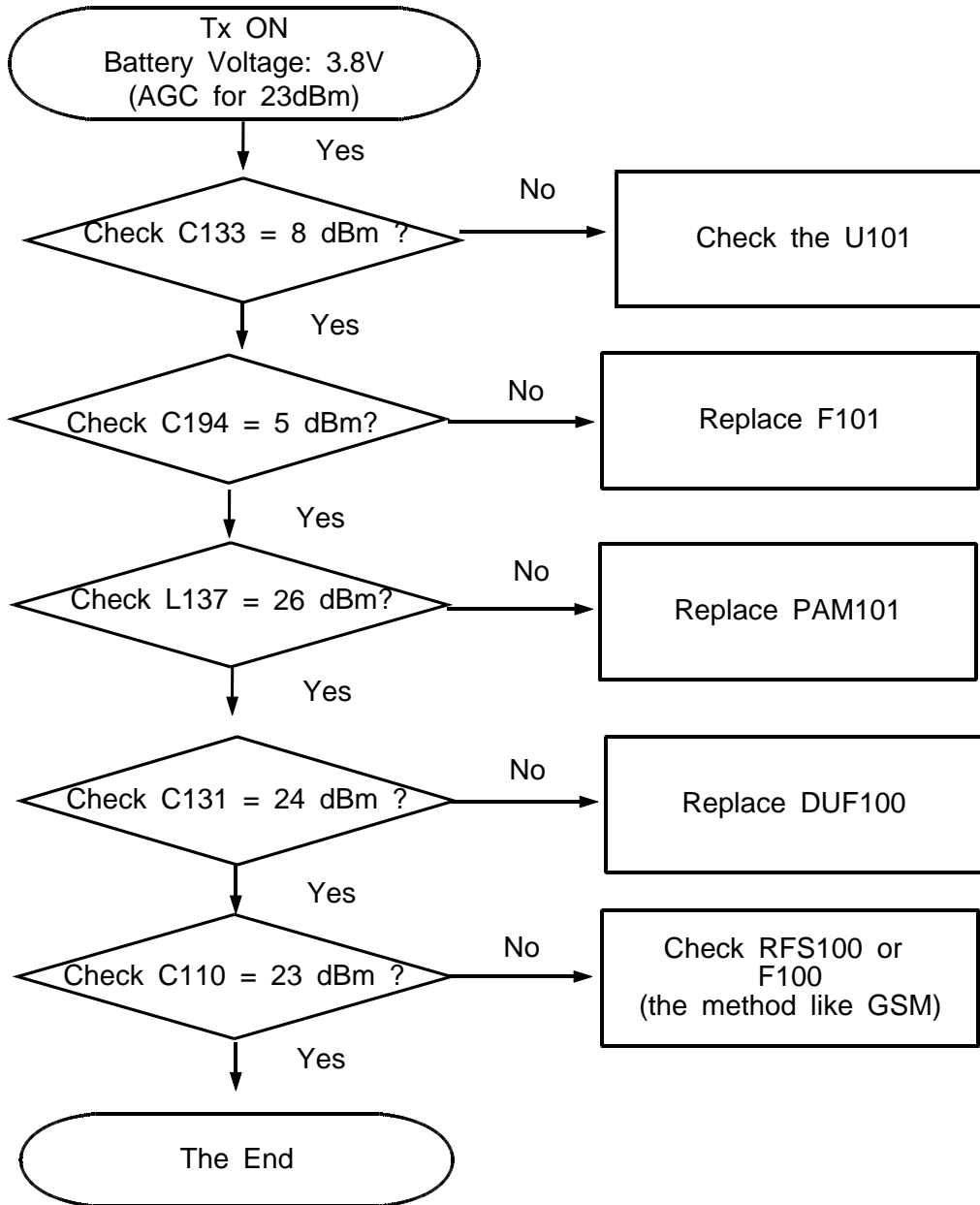


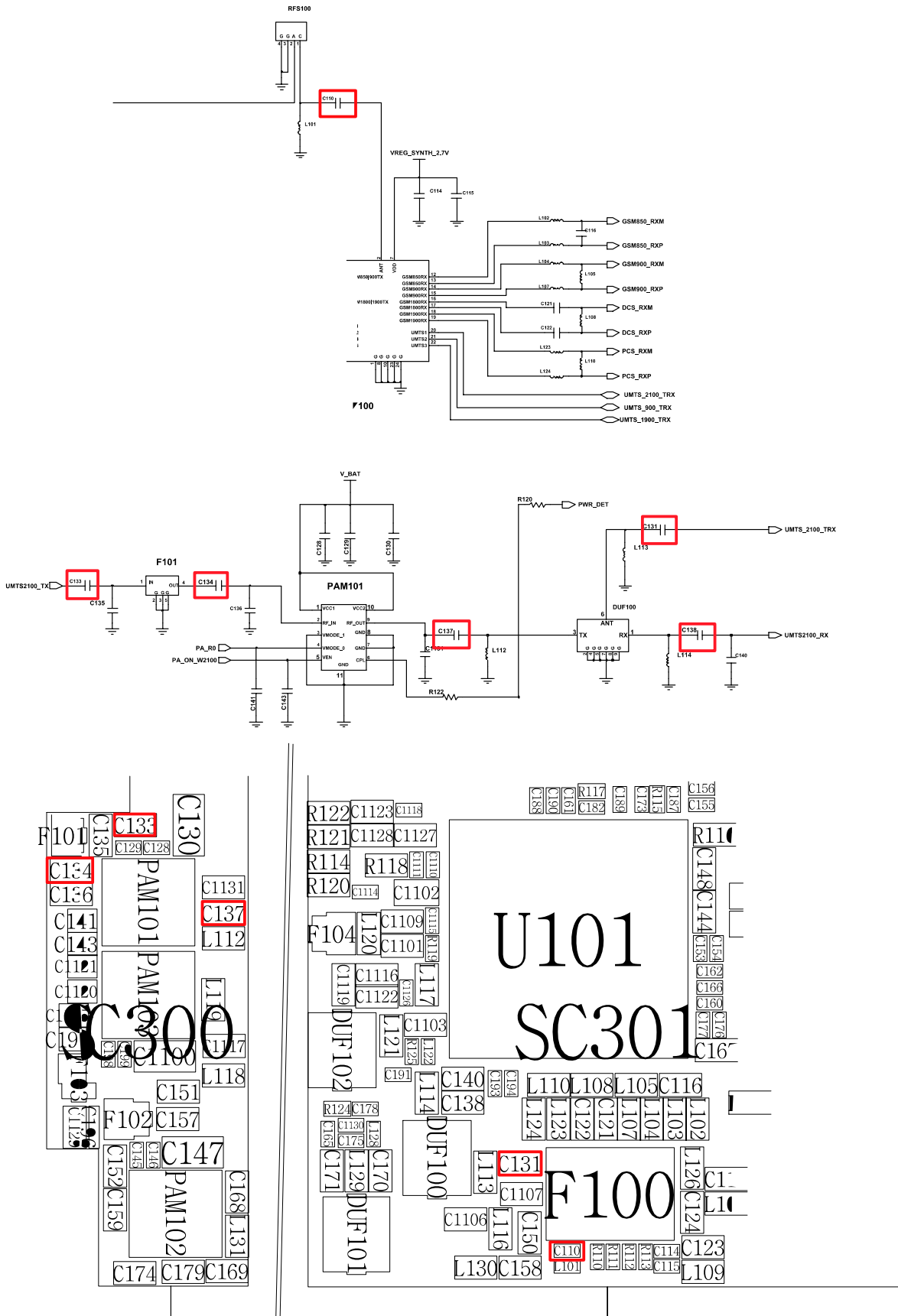


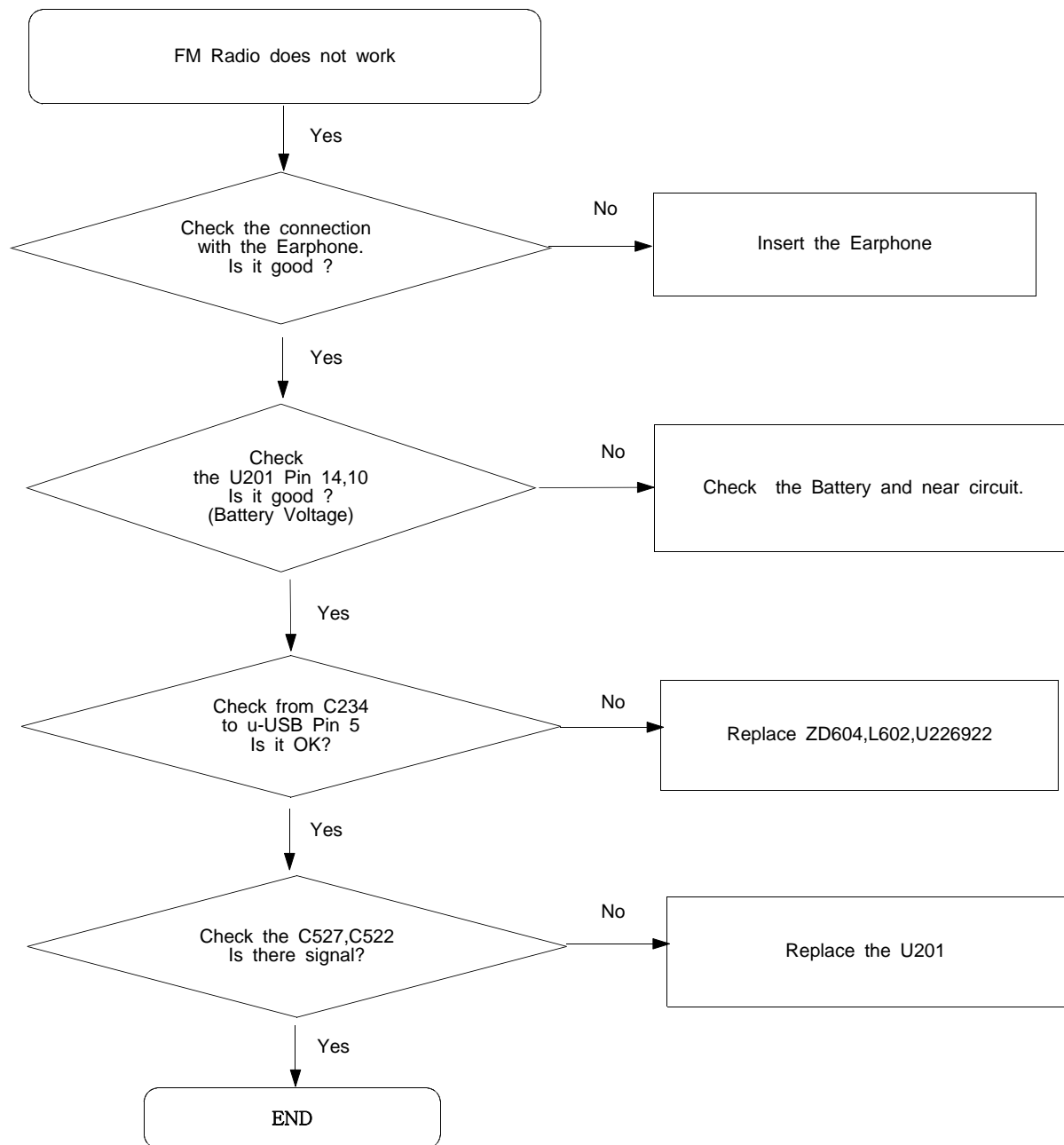
9-22. WCDMA2100 Transmitter

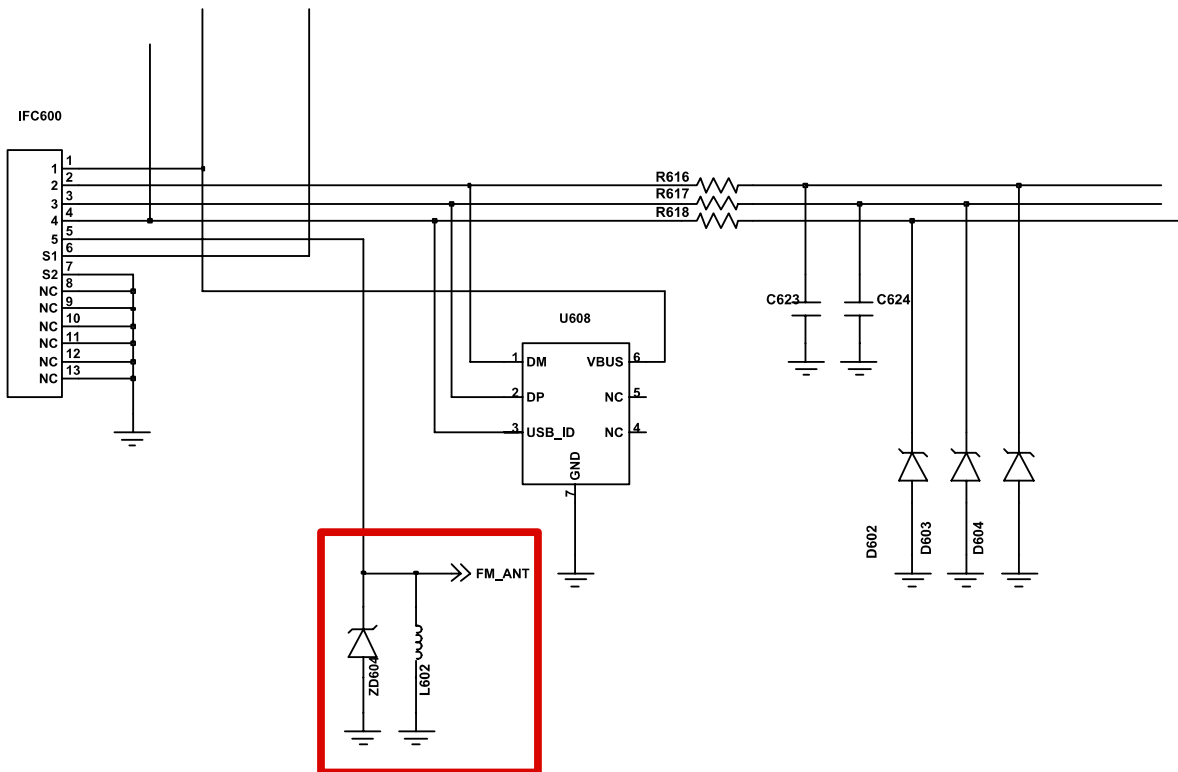
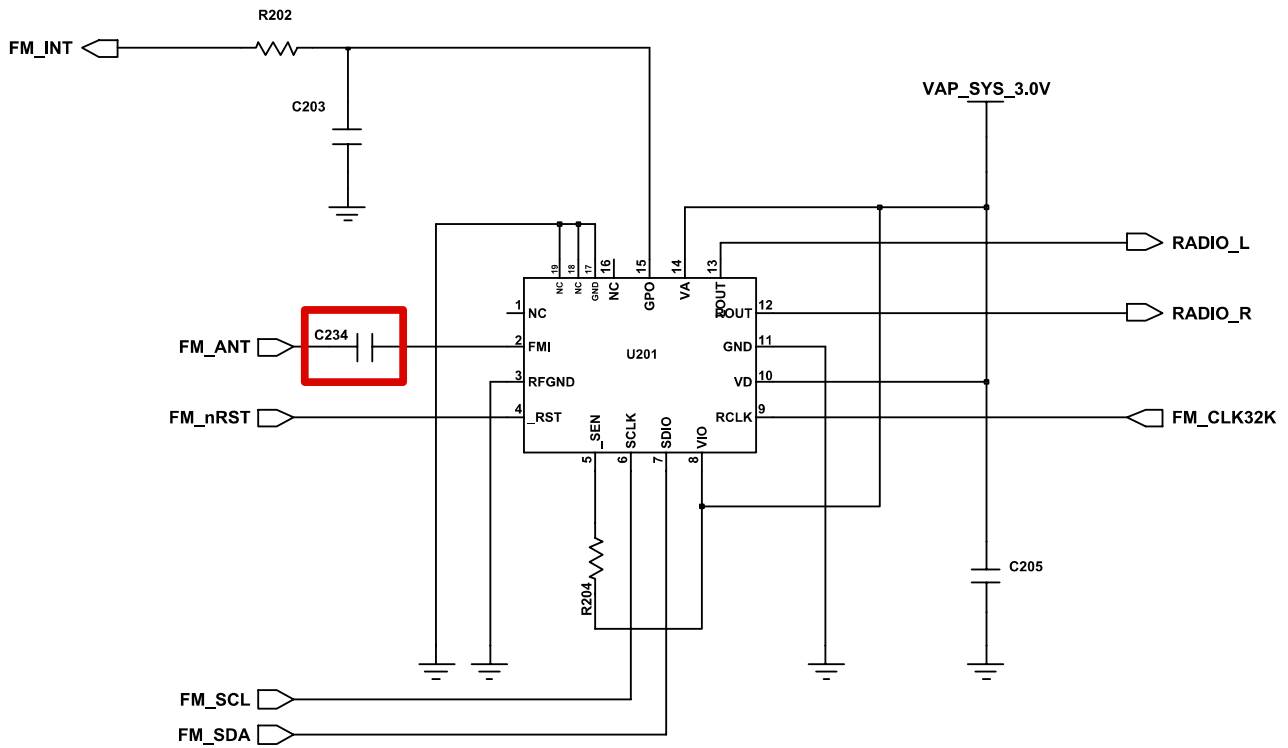
**If you check the tx chain,

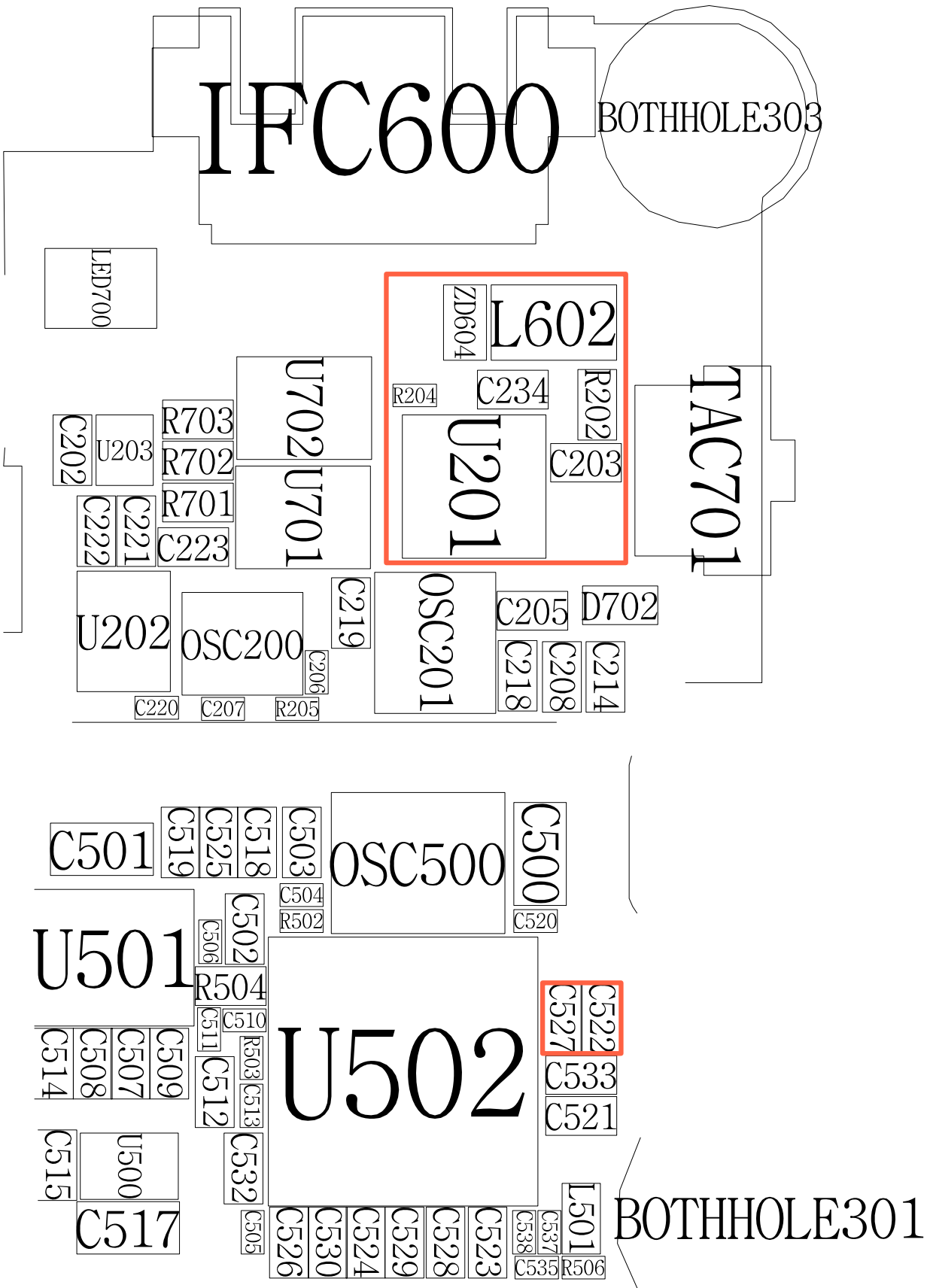
Check the not only RF Device but also resistor, inductor and capacitor.



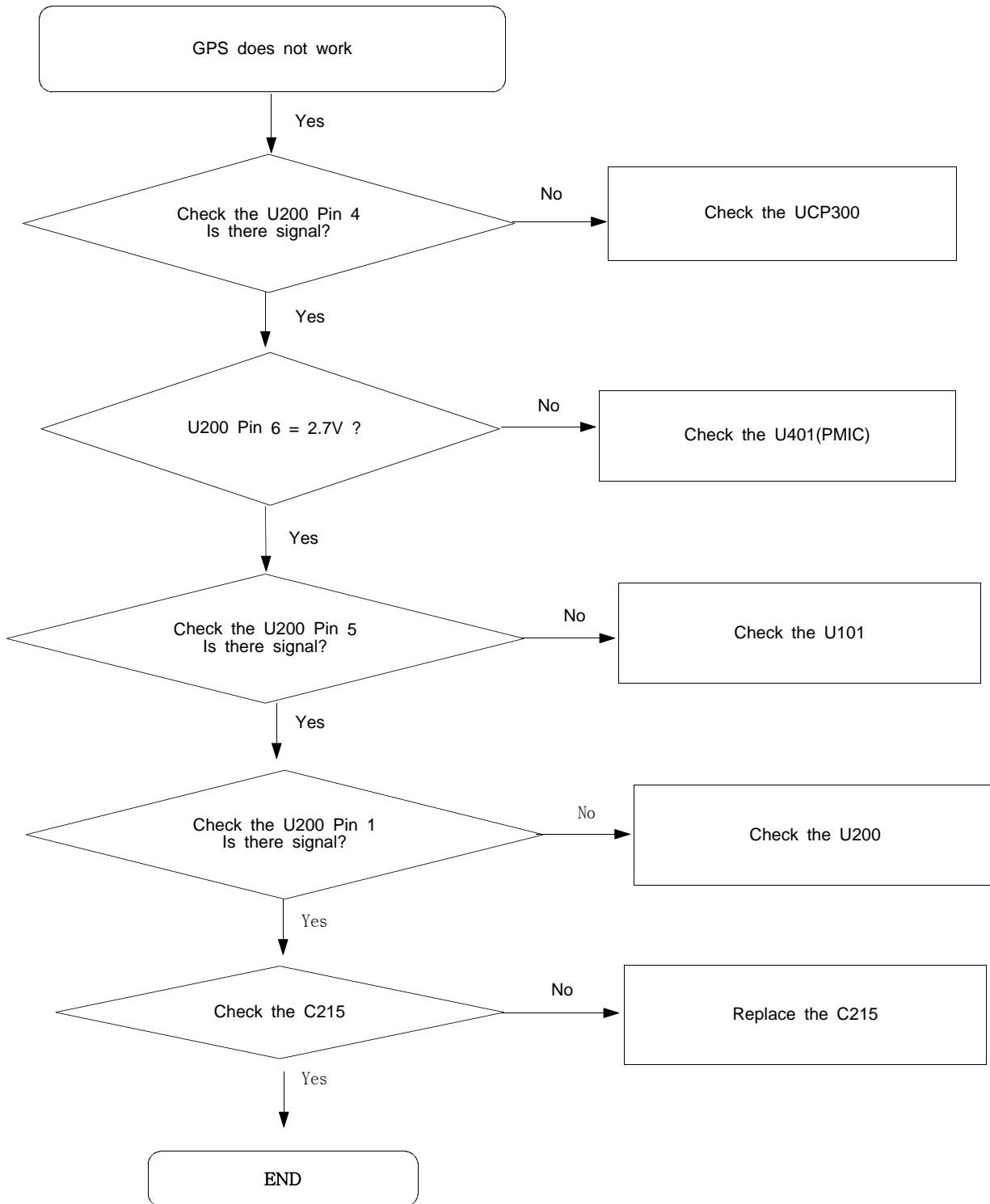


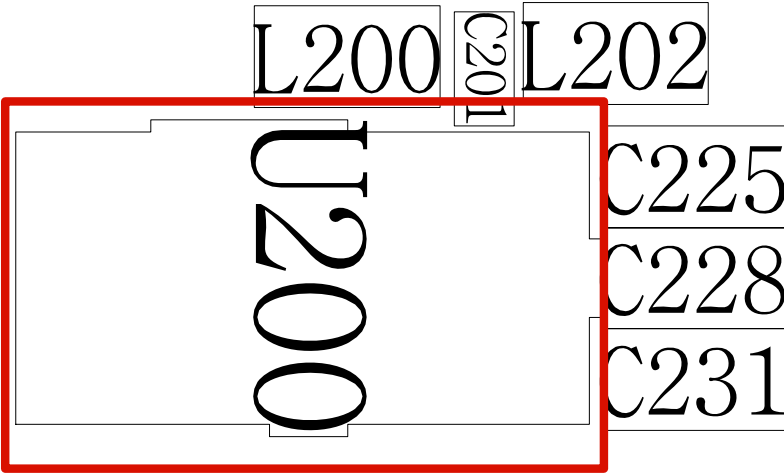
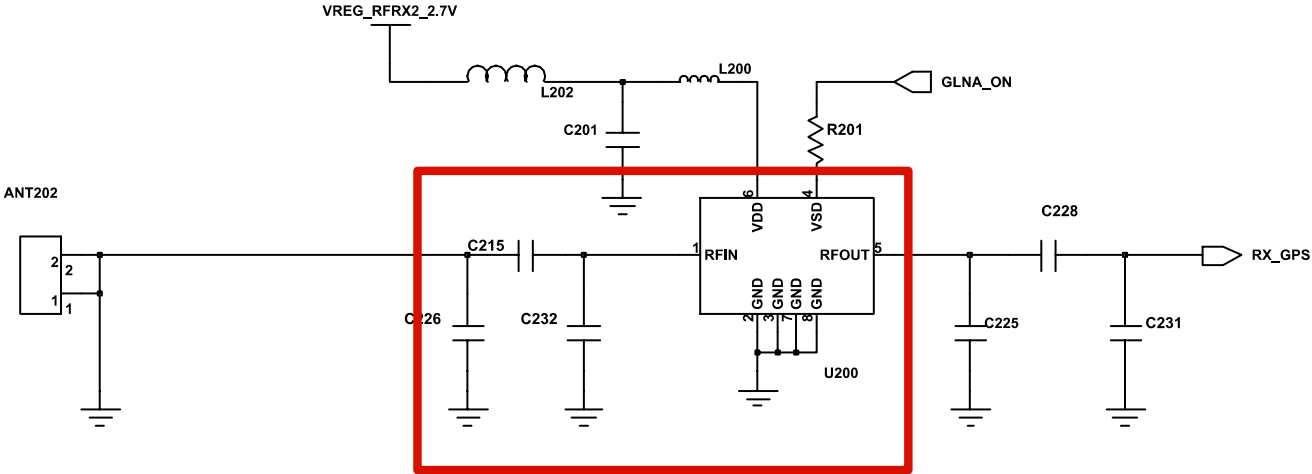
9-23. FM Radio Part



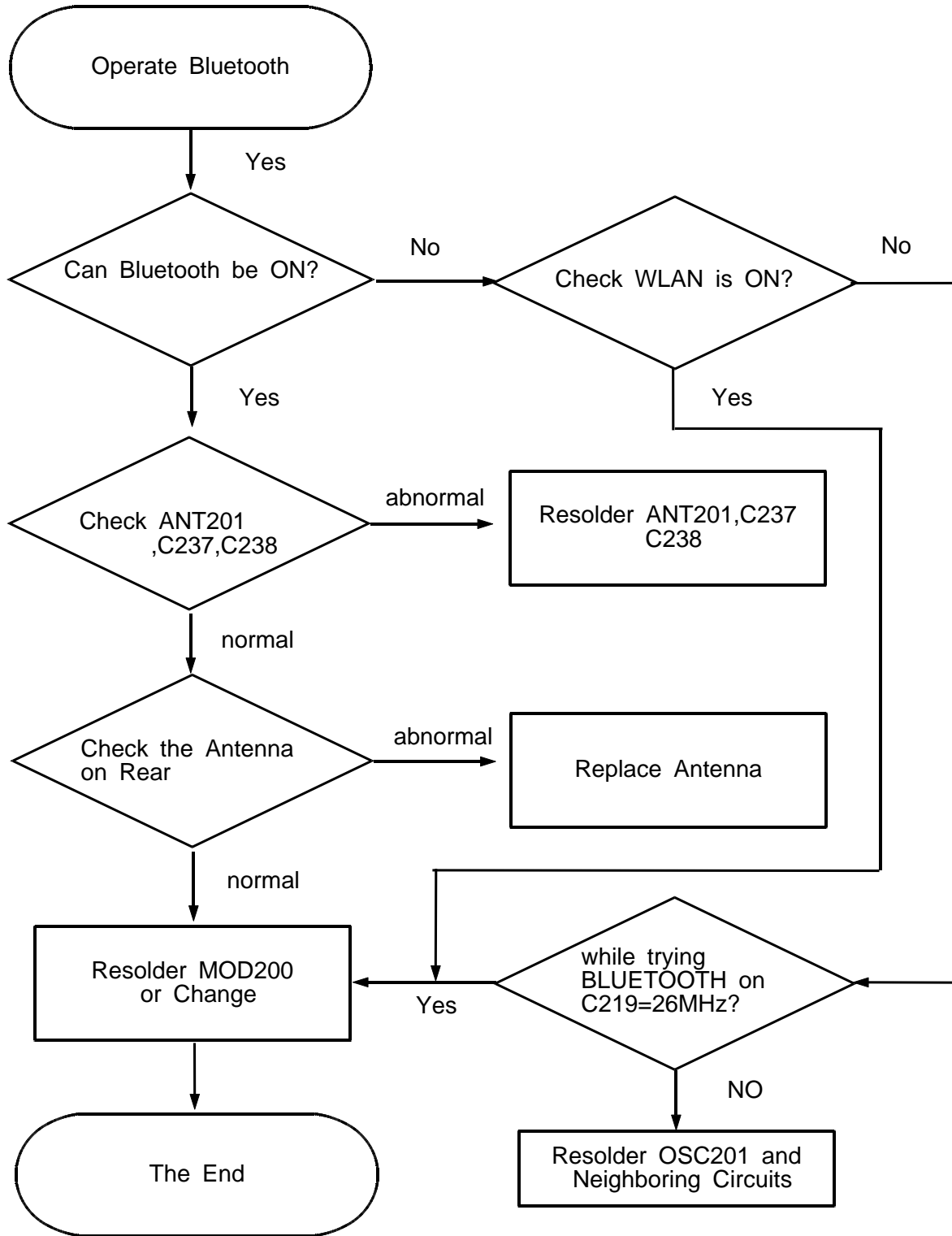


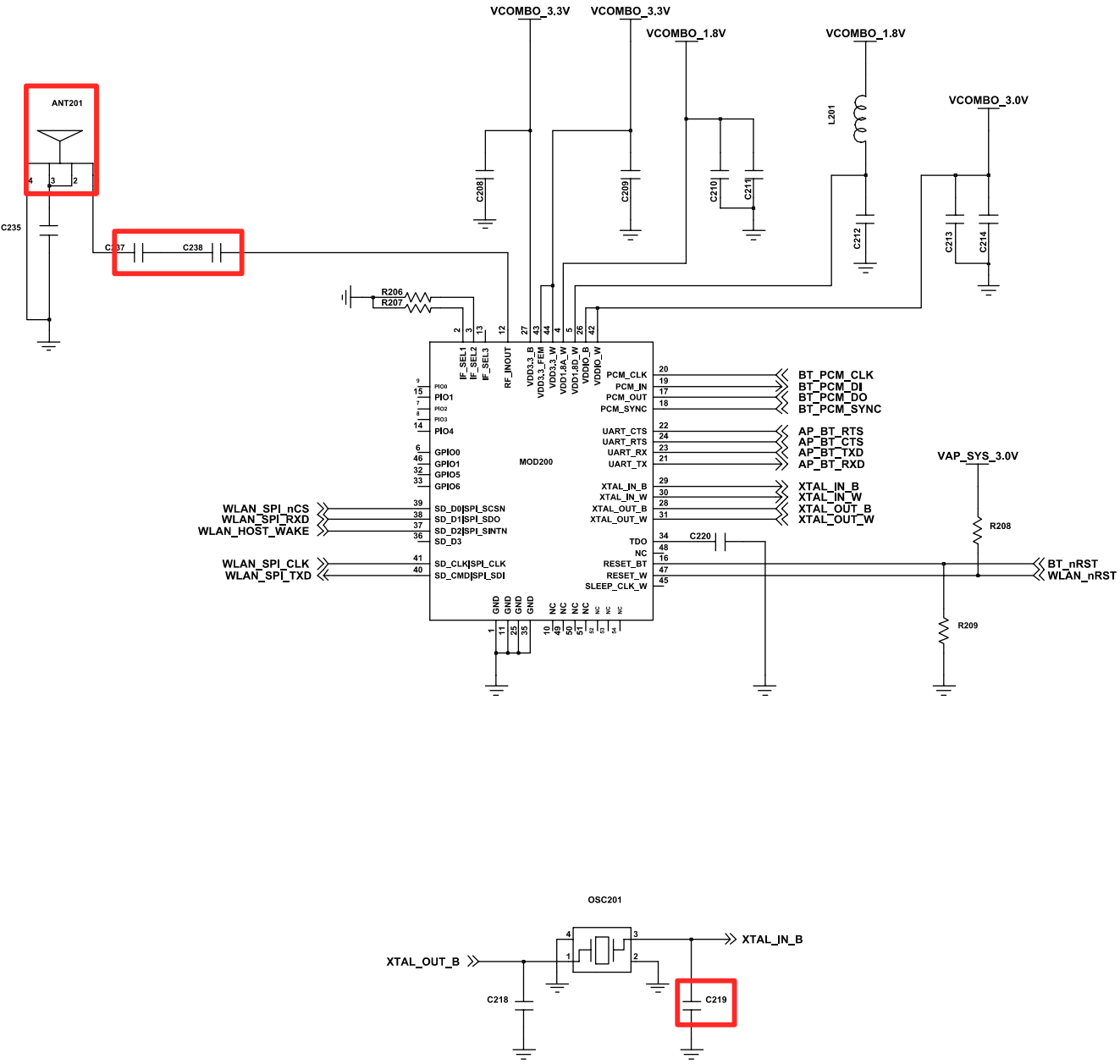
9-24. GPS Part

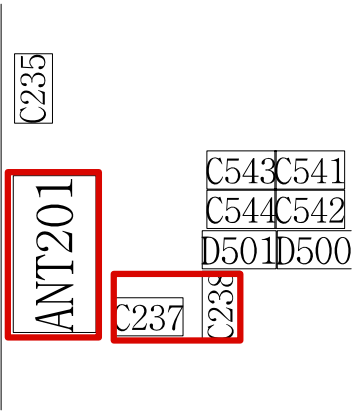
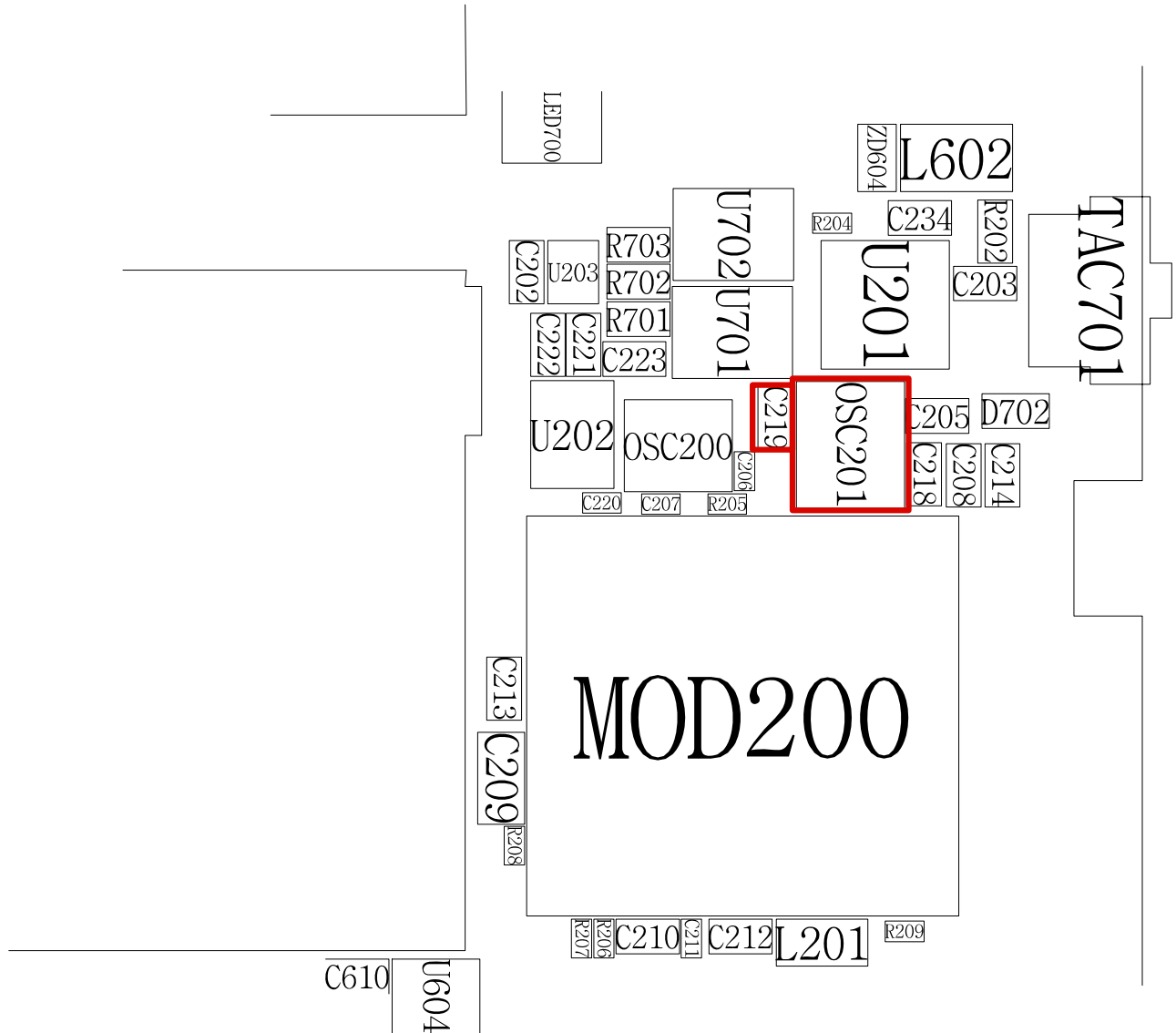




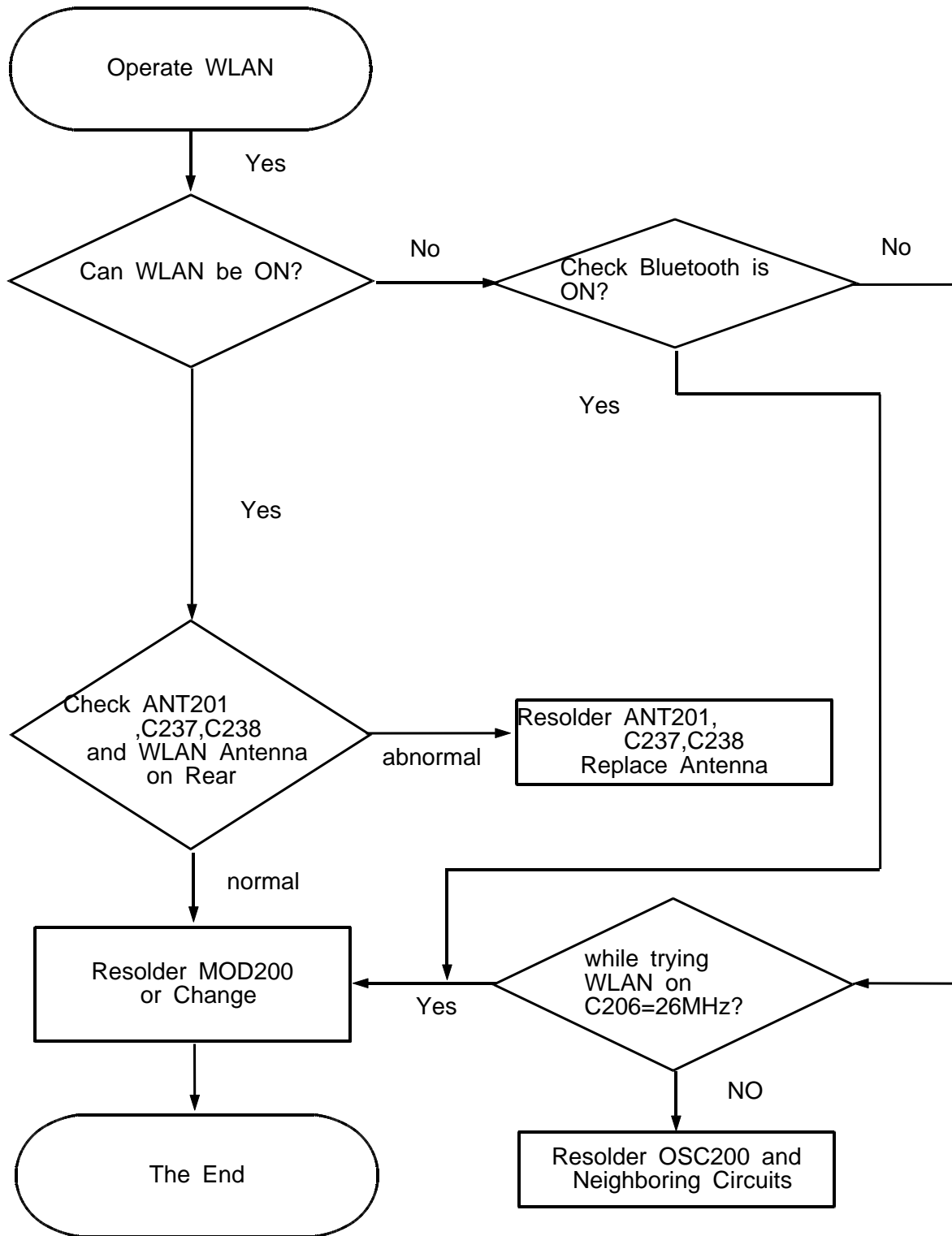
9-25. BLUETOOTH

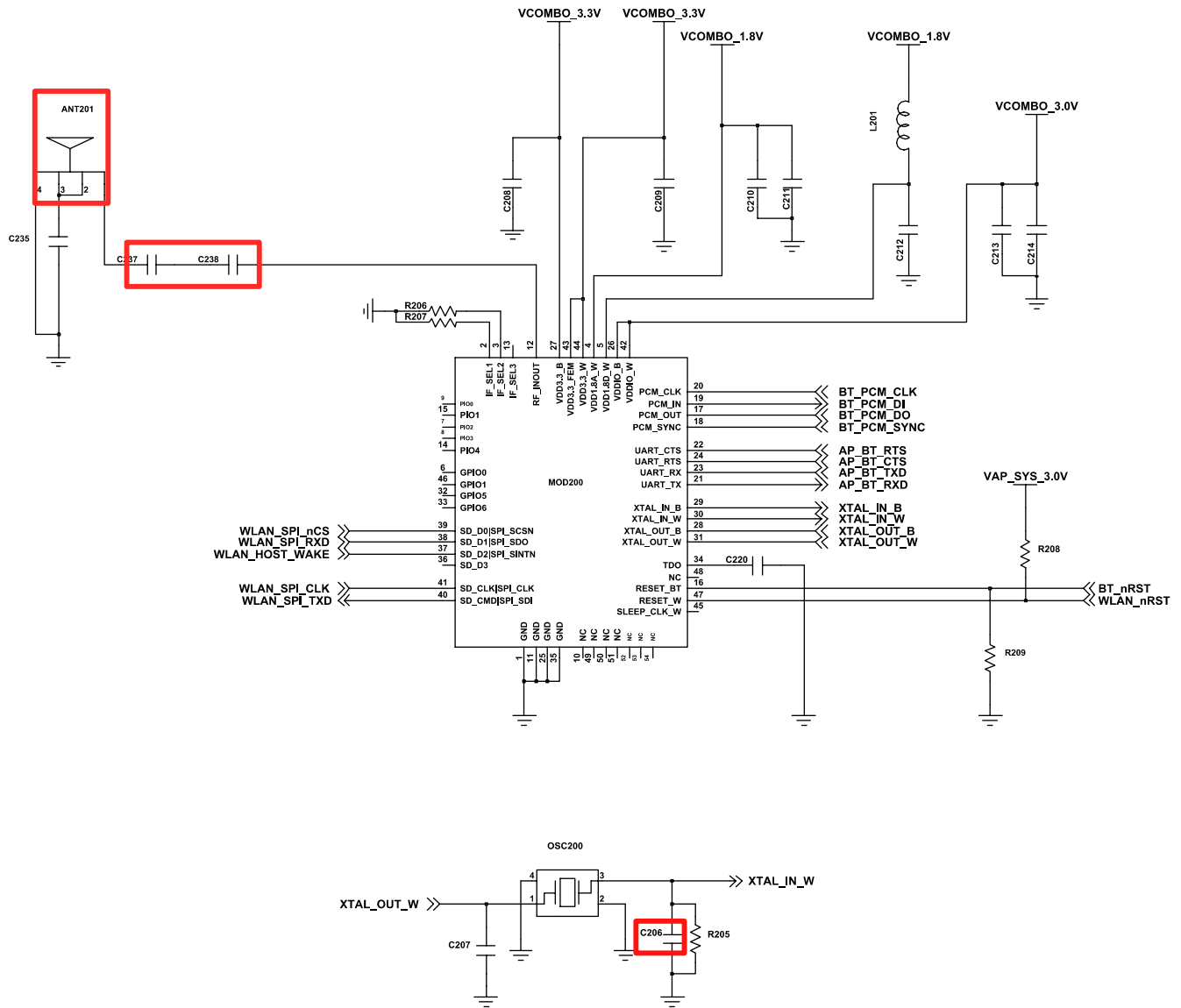


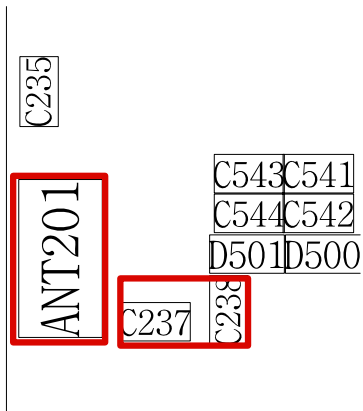
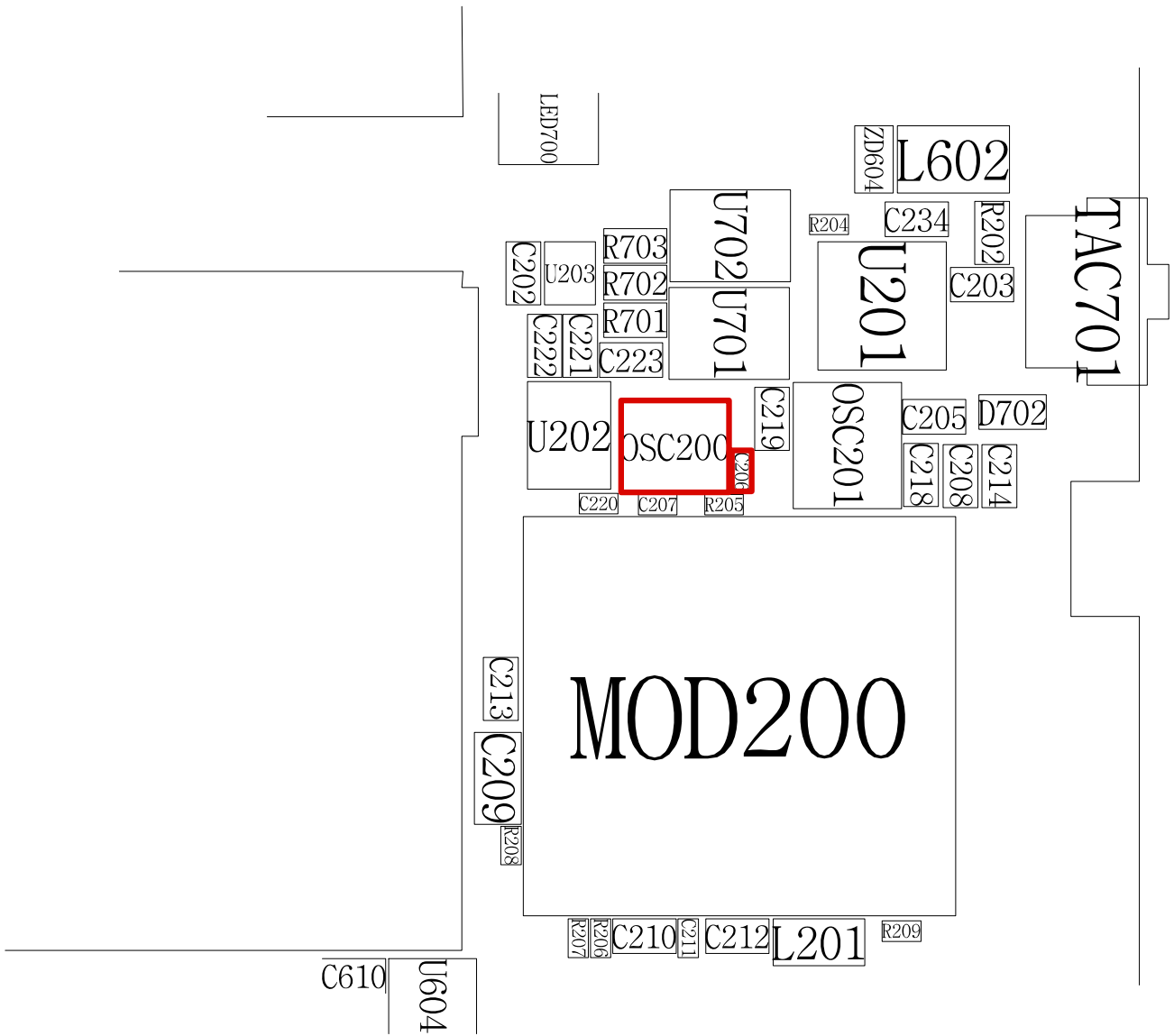




9-26. WLAN

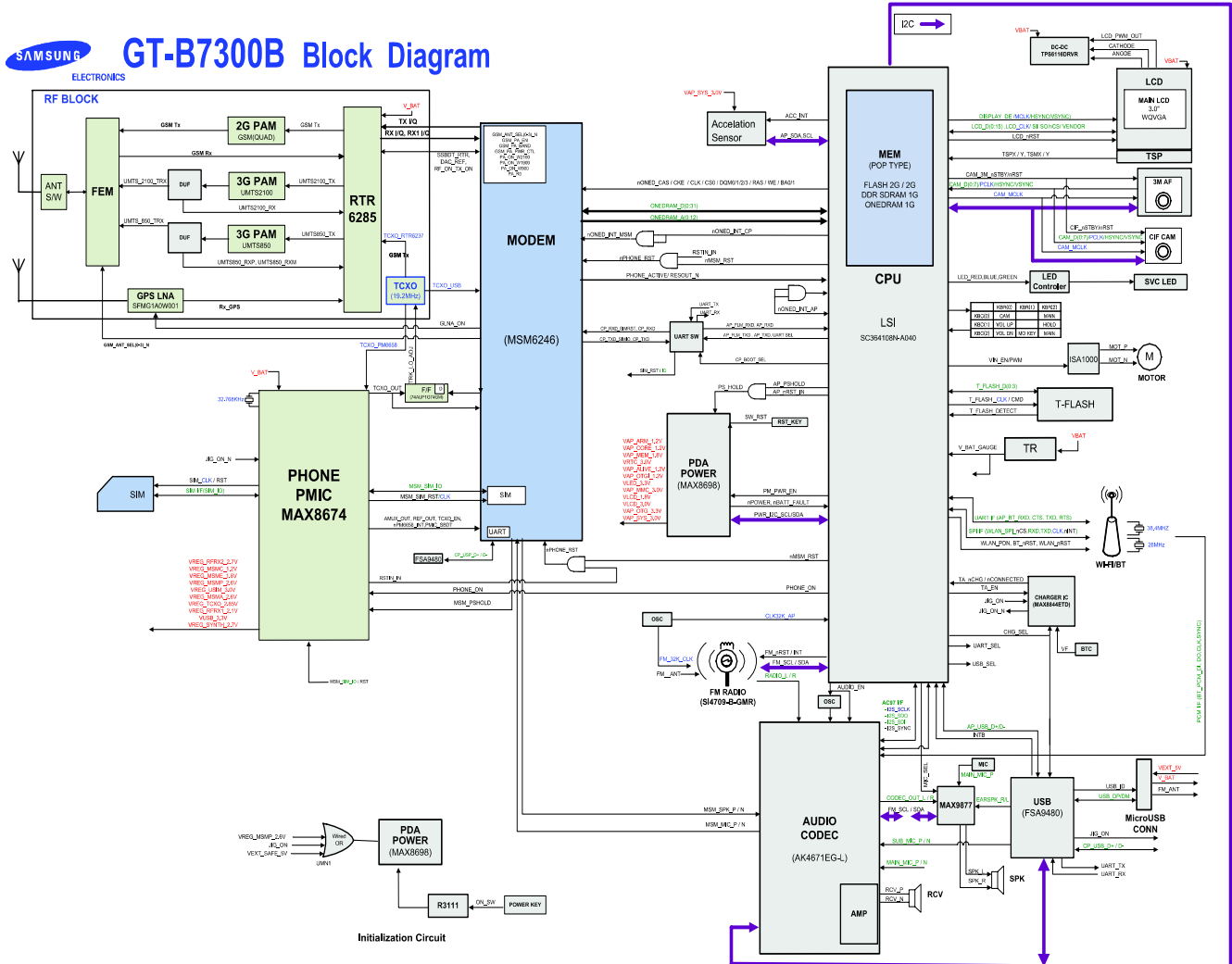






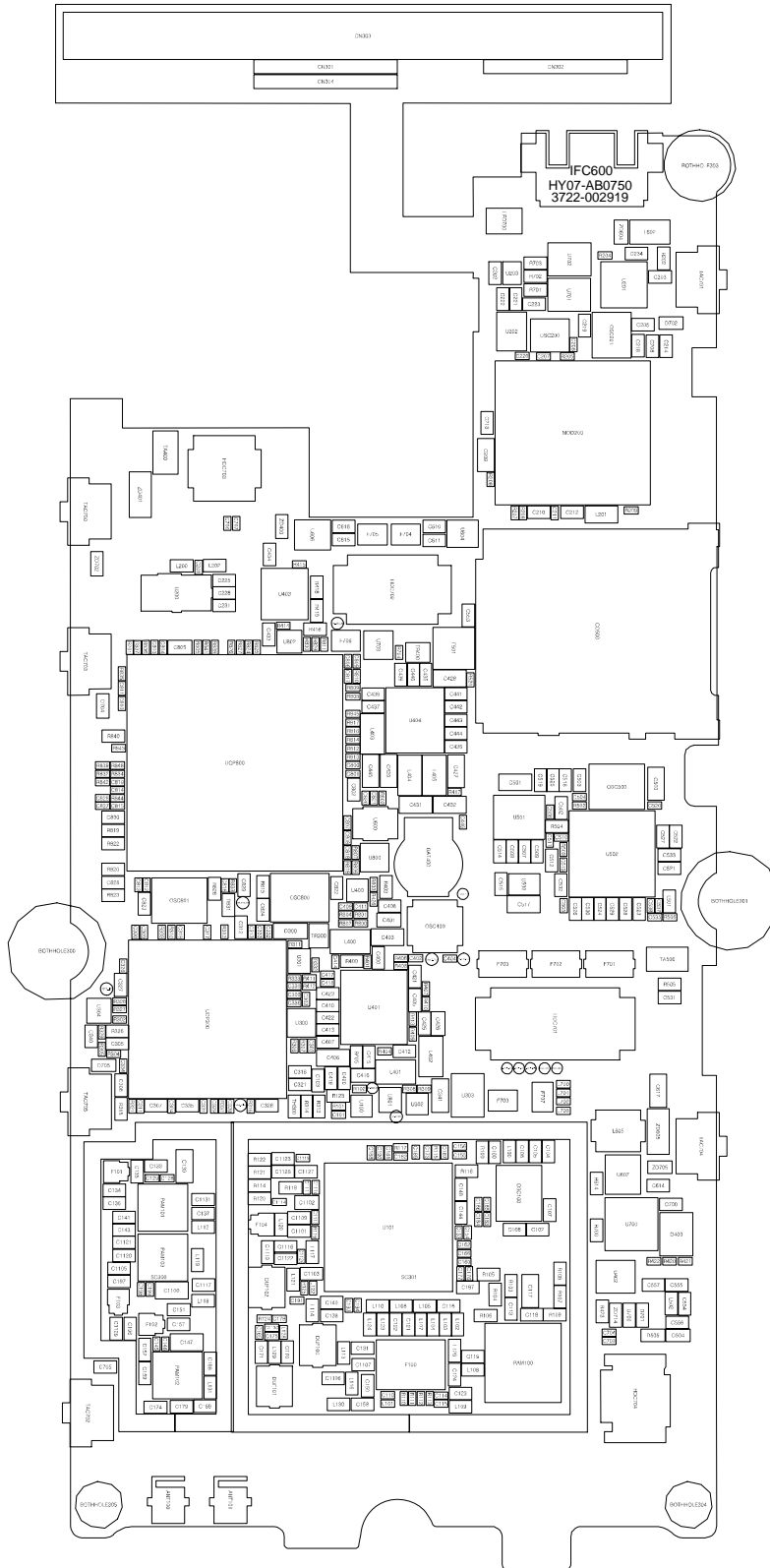
7. Block Diagrams

7-1. RF Solution Block Diagram

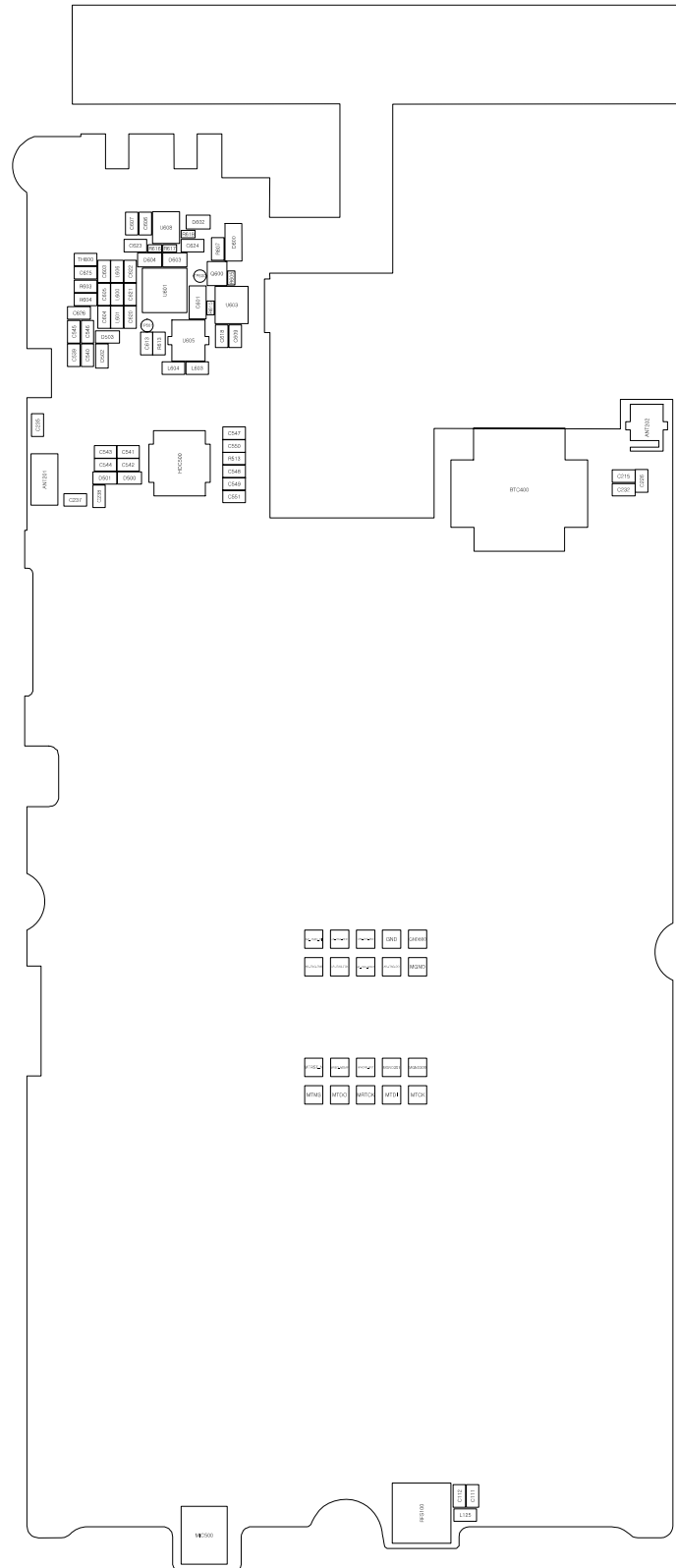


8. PCB Diagrams

Top



Bottom

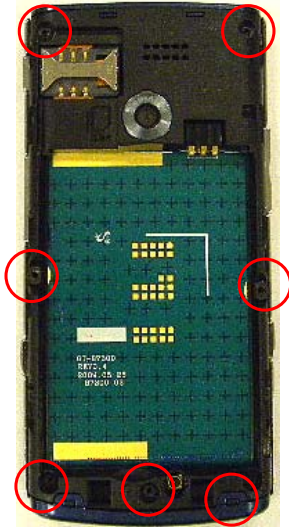


11. Disassembly and Assembly Instructions

11-1. Disassembly

1

Remove screw at 7 points



1) Be careful not to make scratch and molding damage!

2

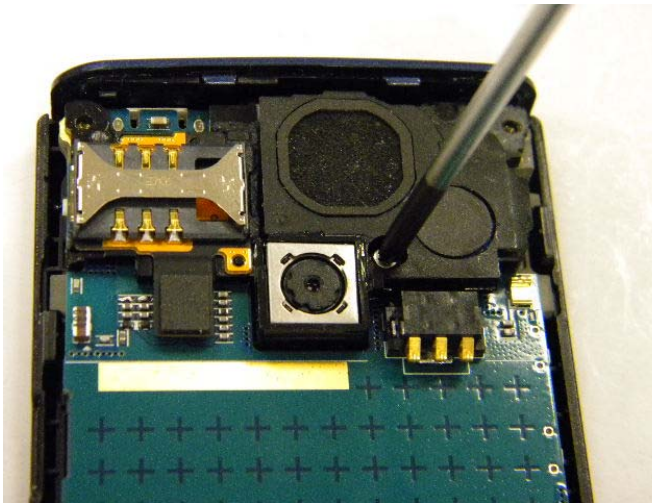
Disjoint the Rear case from the lower part of the SET.



1) Be careful not to make scratch and molding damage!

3

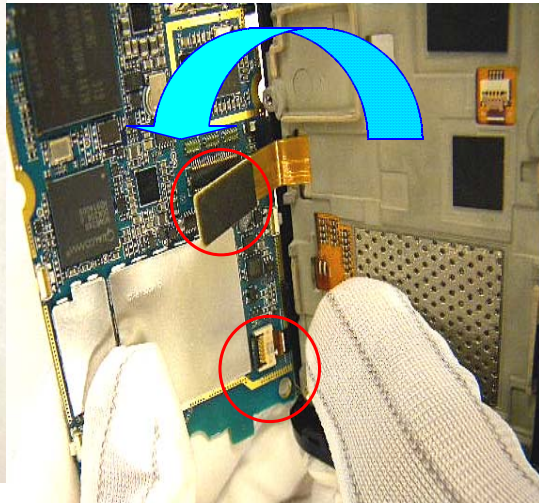
Remove screw at 1 points



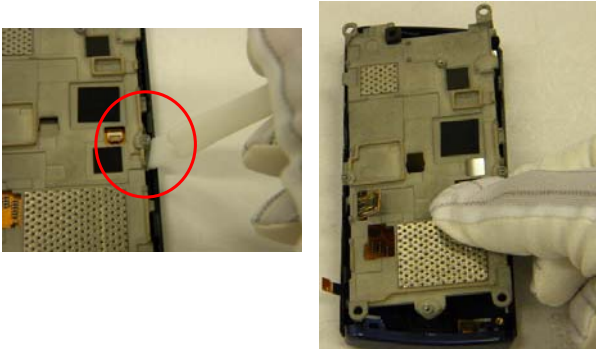
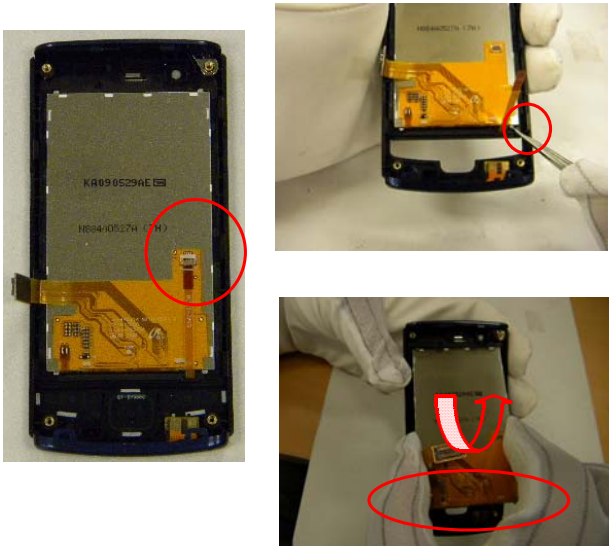
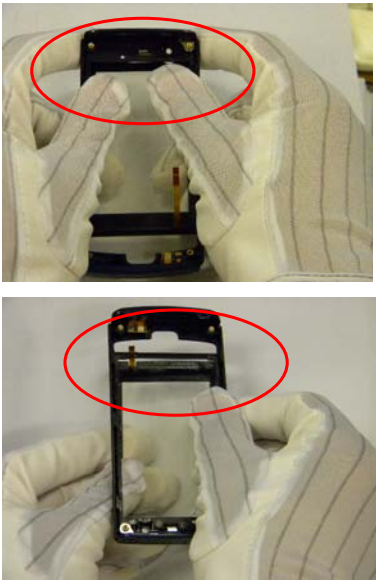
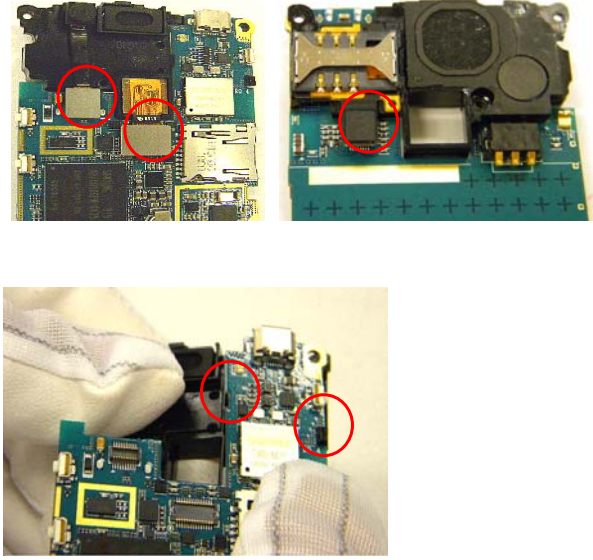
1) Be careful not to make scratch and molding damage!

4

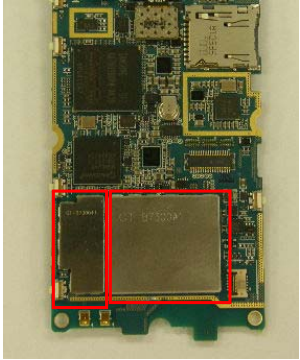
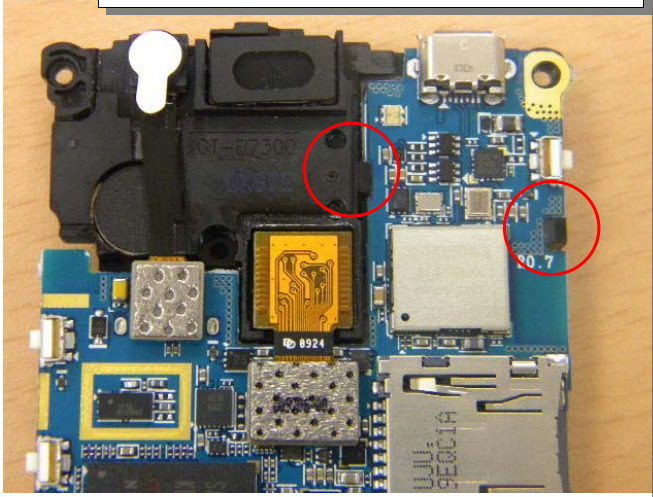
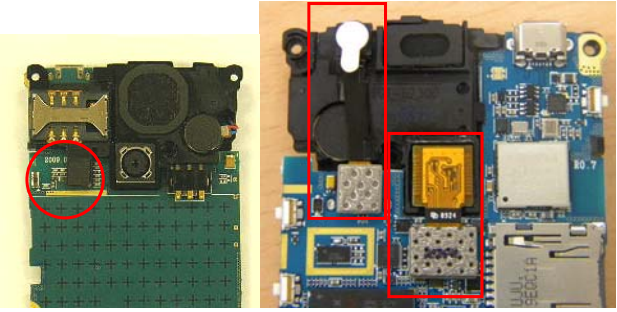

Disassemble the top of the front (2point)



1) Be careful not to make scratch and molding damage!

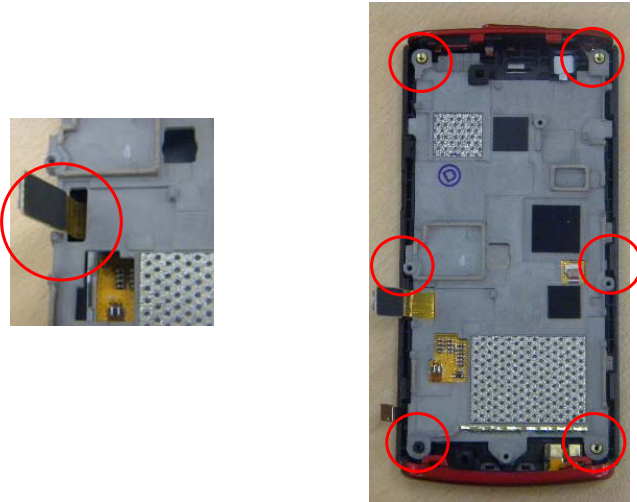
<p>5 Disassemble LCD Bracket and front cover(1)</p> 	<p>6 Disassemble Touch key FPCB & LCD(2)</p> 
<p>1) Be careful not to make scratch and molding damage! 2) Be careful not to make damage to LCD Connect!</p>	
<p>7 Disassembled TSP Window and front cover(3)</p> 	<p>8 disassembled and sim card/VGA&MEGA connect/SPK module</p> 
<p>1) Be careful not to make scratch and molding damage! 2) Be careful not to make damage to connect</p>	

11-2 Assembly

<p>1</p> <p>1) ASSEMBLE SHIELD CAN.</p> 	<p>2</p> <p>1) HOOK OUTSIDE SPEAKER ENCLOSURE HOOKER 2) CONNECT SPEAKER ENCLOSURE CONNECTOR</p> 
<p>3</p> <p>1) SIM SOCKET ENCLOSURE CONNECTOR 2) INSERT CAMERA MODULE 3) CONNECT CAMERA CONNECTOR</p> 	<p>4</p> <p>1) ATTACH LCD TO FRONT CASE 2) CONNECT TSP FPCB 3) ASSEMBLE KEY PAD</p> 

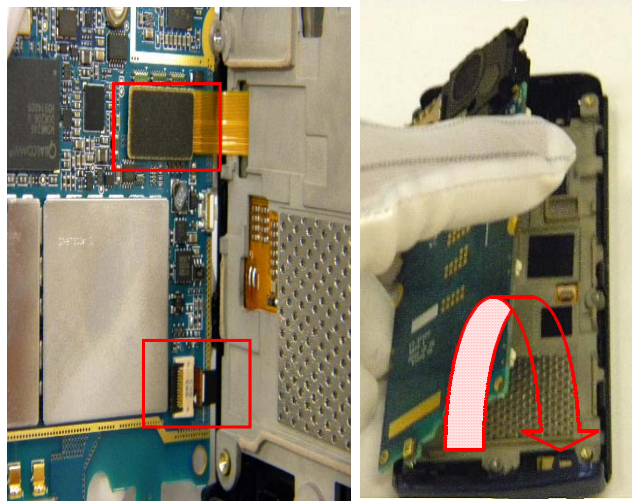
5

- 1) INSERT MAIN CONNECTOR FPCB TO BRACKET HOLE
- 2) ASSEMBLE LCD BRACKET AND PUSH BOTH HOOKS



6

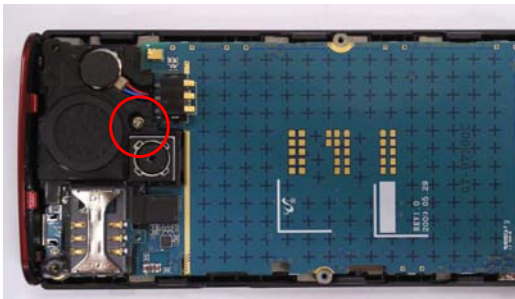
- 1) CONNECT KEY FPCB AND MAIN CONNECTOR
- 2) ASSEMBLE PBA TO FRONT ASS'Y



1) DO NOT DAMAGE GASKET

7

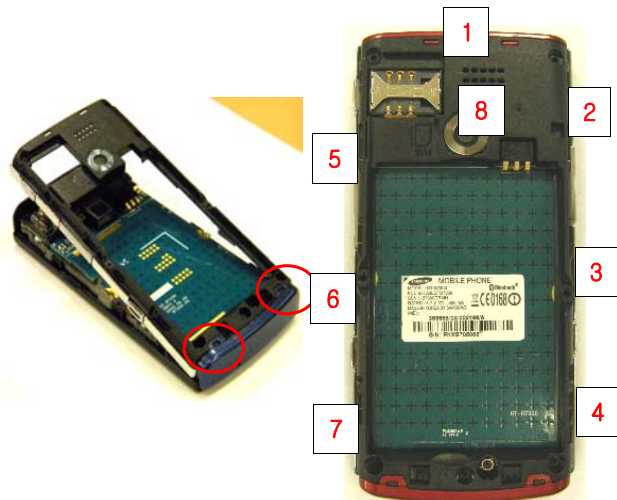
- 1) DRIVE SCREWS AT 1 POINT.



- Screw Size: 1.4x5
- SEC code: 6001-002260
- Screw Torque: 1.1±0.1 Kgf.cm

8

- 1) ASSEMBLE REAR CASE FROM BOTTOM → TOP → SIDE → BOTTOM



1) DO NOT DAMAGE RF SWITCH AND MIC

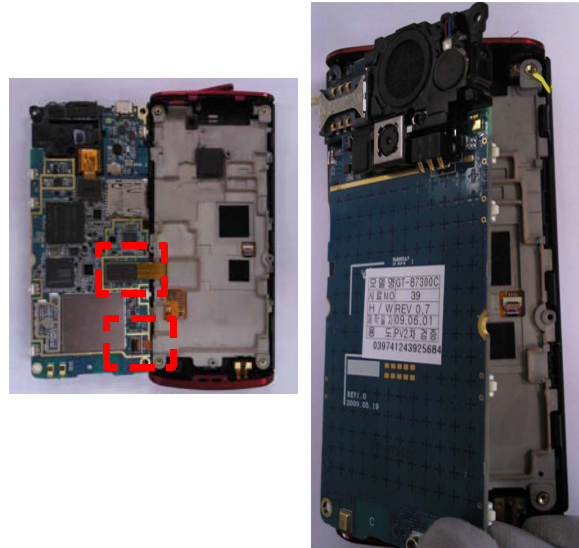
5

- 1) INSERT MAIN CONNECTOR FPCB TO BRACKET HOLE
- 2) ASSEMBLE LCD BRACKET AND PUSH BOTH HOOKS



6

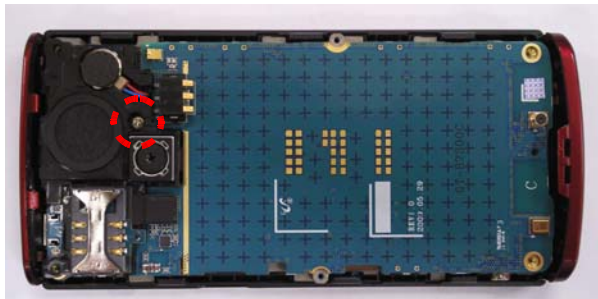
- 1) CONNECT KEY FPCB AND MAIN CONNECTOR
- 2) ASSEMBLE PBA TO FRONT ASS'Y



1) DO NOT DAMAGE GASKET

7

- 1) DRIVE SCREWS AT 1 POINT.



8

- 1) ASSEMBLE REAR CASE FROM BOTTOM → TOP → SIDE → BOTTOM

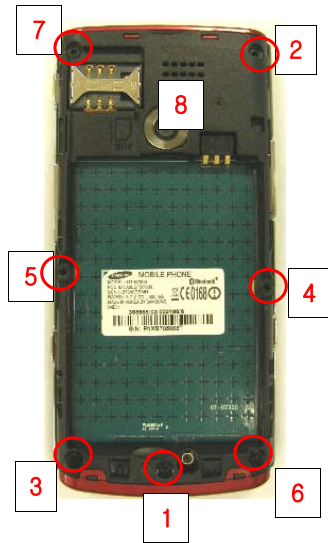


- Screw Size: 1.4x5
- SEC code: 6001-002260
- Screw Torque: 1.1±0.1 Kgf.cm

1) DO NOT DAMAGE RF SWITCH AND MIC

9

1) DRIVE SCREWS AT 7 POINT.



- Screw Size: 1.4x5
- SEC code: 6001-002260
- Screw Torque: 1.1 ± 0.1 Kgf.cm

www.s-manuals.com