

# 主机外观图

机型名: T760

上市时间: 2012 年 9 月



## 产品定义

◇	描述	说明
◇	<b>特点</b>	
*	手机尺寸	126.5*62.8*11.85mm
*	充电器	Micro USB (5pin)
*	天线	内置
*	电源	1500mAh
◇	<b>手机配置</b>	说明
◇	<b>CPU</b>	SC8810
*	主频	1GHz CortexA5
◇	<b>内存</b>	
*	Flash	NAND 4G bit (512MB)
*	RAM	DDR 4G bit (512MB)
◇	<b>PMU</b>	SC8810 集成
◇	<b>Codec</b>	SC8810 集成
*	显示屏	4.0" WVGA TN, 800x480
	分辨率	480 x 800
*	触摸屏	电容
◇	<b>照相机</b>	
*	像素	3.0M+A1
*	图像分辨率	2048 x 1536
	闪光灯	No
	自动对焦	No
*	录像	Video with Audio
◇	<b>按键</b>	
*	全键盘	No
*	电源键	Yes
*	侧键	音量+、音量-
◇	<b>网络</b>	
*	GSM/GPRS/EDGE Network	GSM/GPRS/EDGE 900/1800/1900 Mhz
*	UMTS/HSPA Network	TD-SCDMA: 1900/2000 Mhz
◇	<b>无线</b>	
*	蓝牙	Bluetooth 2.1+EDR
*	Wifi	支持
	GPS	不支持
*	FM	支持
*	DTV	不支持

		ATV	不支持
◇		<b>接口</b>	
	*	USB	USB2.0
	*	SIM	单卡
	*	T-FLASH	支持
	*	耳机座	3.5mm
	*	充电器	支持
		HDMI	No
		RJ45 Connector	No
◇		<b>扬声器</b>	单扬声器
◇		<b>听筒</b>	单一
◇		<b>MIC</b>	单一
◇		<b>马达</b>	Yes
◇		<b>辅助</b>	
	*	光线传感器	支持
	*	临近性传感器	支持
	*	加速度传感器	支持
	*	陀螺仪	不支持
		磁性传感器	不支持
◇		<b>铃声</b>	
	*	音频格式	AMR, MIDI, MP3
◇		<b>WAP</b>	支持wap 2.0
◇		<b>WWW Browser</b>	支持
◇	*	<b>Email</b>	支持
◇	*	<b>TV player</b>	不支持
◇		<b>照片浏览器</b>	支持
	*	图像格式	PNG,BMP, JPEG, GIF

## 拆装机注意事项

### 一、拆卸注意事项：

- 1.拆卸触屏组件时避免由于暴力拆卸造成触屏破损。
- 2.拆主板元器件，焊接时注意避免损伤该组件。
- 3.主板上显示屏 FPC 需要注意，以免造成损伤。
- 4.具有极性的元件在组装时要注意方向，不要装反。

### 二、所需工具：

拨片、撬棍、塑料镊子、金属镊子、螺丝刀、手术刀



电烙铁



二、步骤:



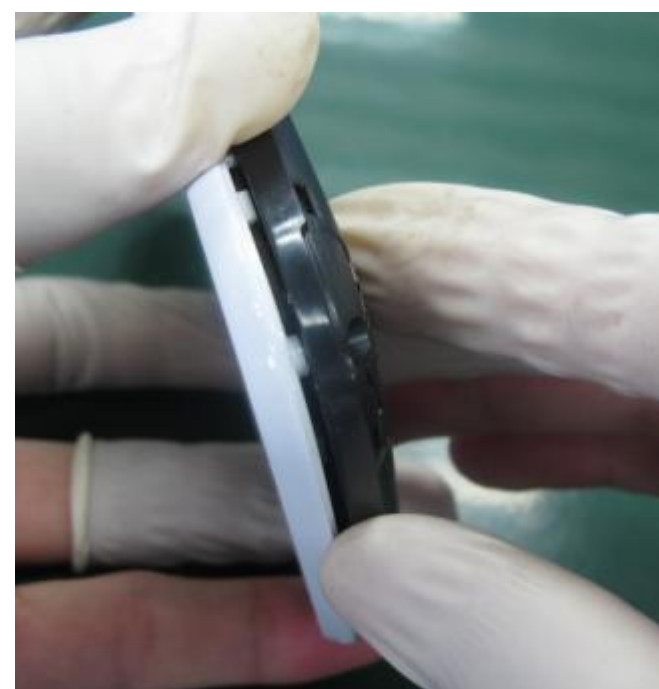
1.) 从右侧下方缺口处打开电池盖



2.) 拆下后盖的效果图



3.) 拧下四颗螺钉



4.) 拆开后壳组件



5) 拆下后壳组件效果图



6 借用镊子拆下扬声器。



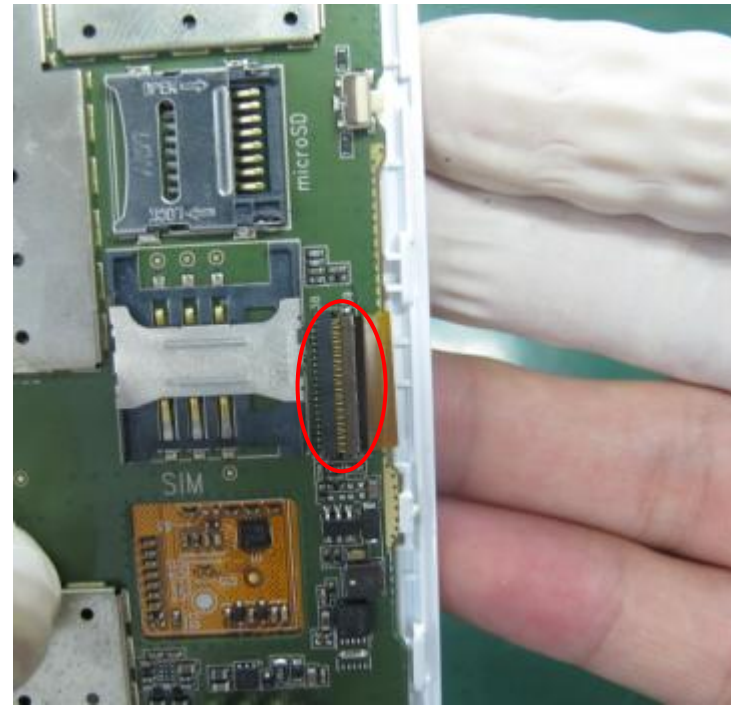
7 借用塑料镊子慢慢的订起摄像头镜片，然后取下镜片。



8) 拆下摄像头组件



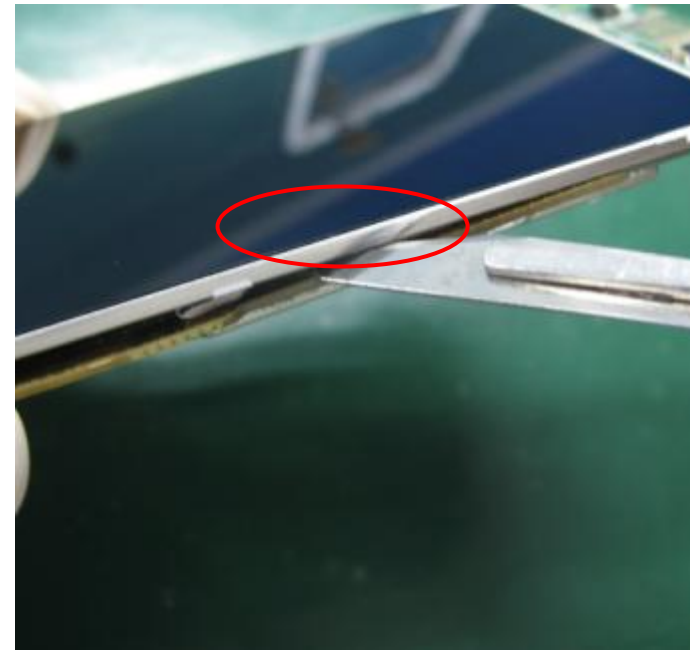
9) 打开触摸屏 FPC 接口压片



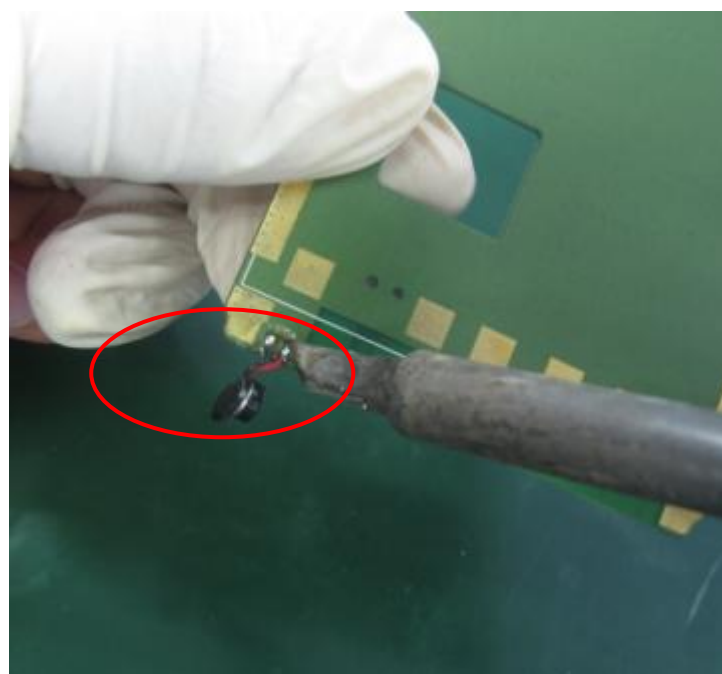
10) 打开显示屏 FPC 接口压片



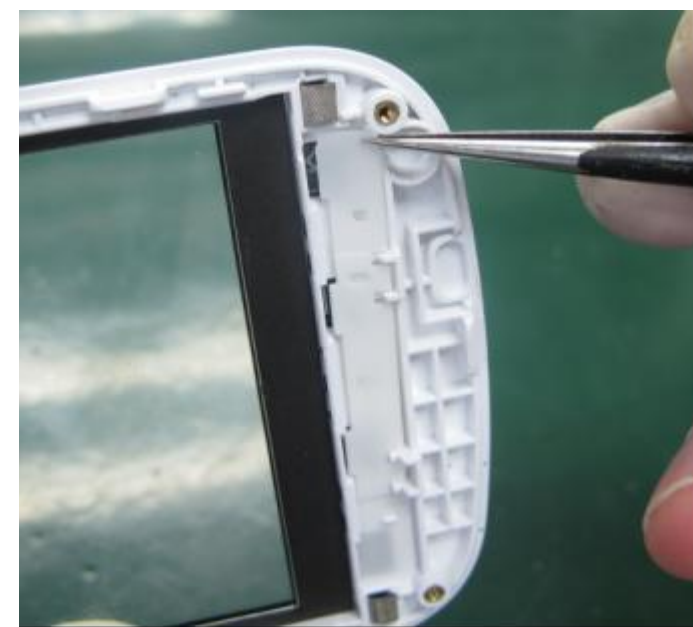
11) 主板与前壳分开的效果图



12) 借用手术刀使主板与显示屏分开，**注意：切勿划伤主板**



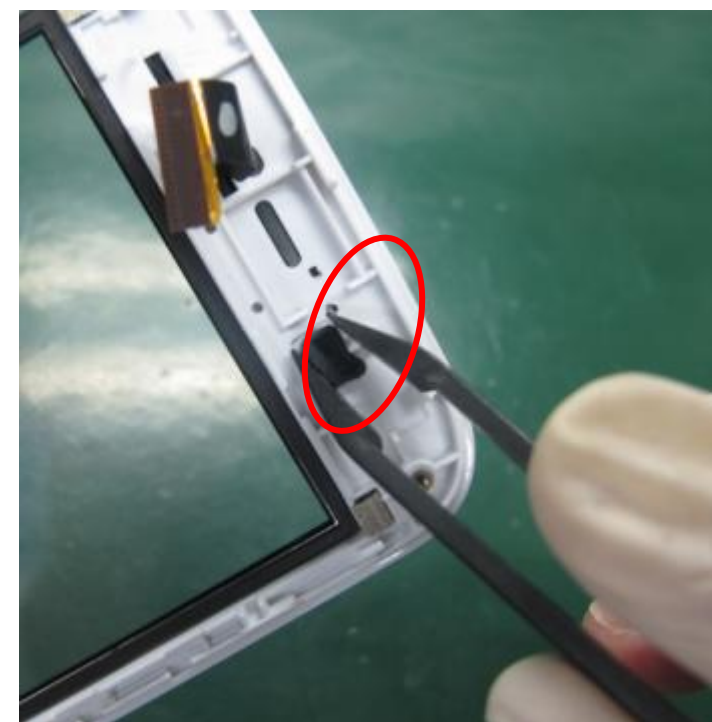
13) 焊下 MIC 组件



14) 用镊子拆下键盘导光膜

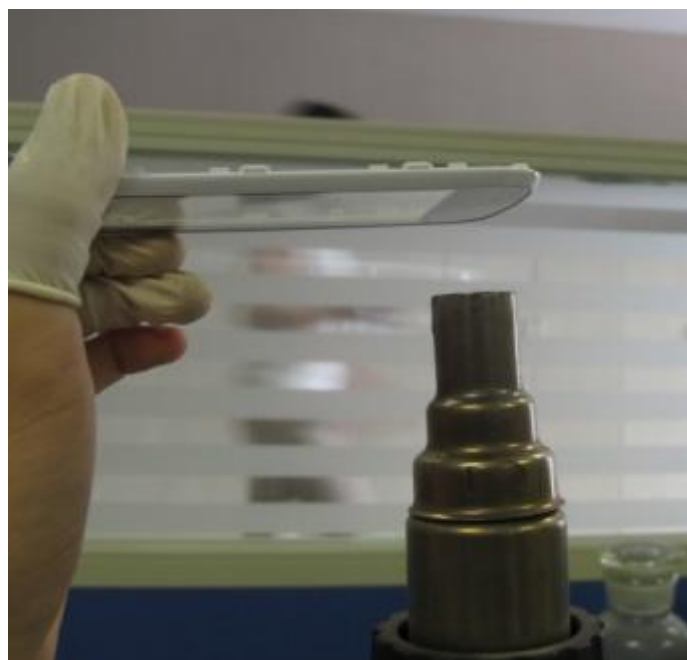


15) 拆下受话器

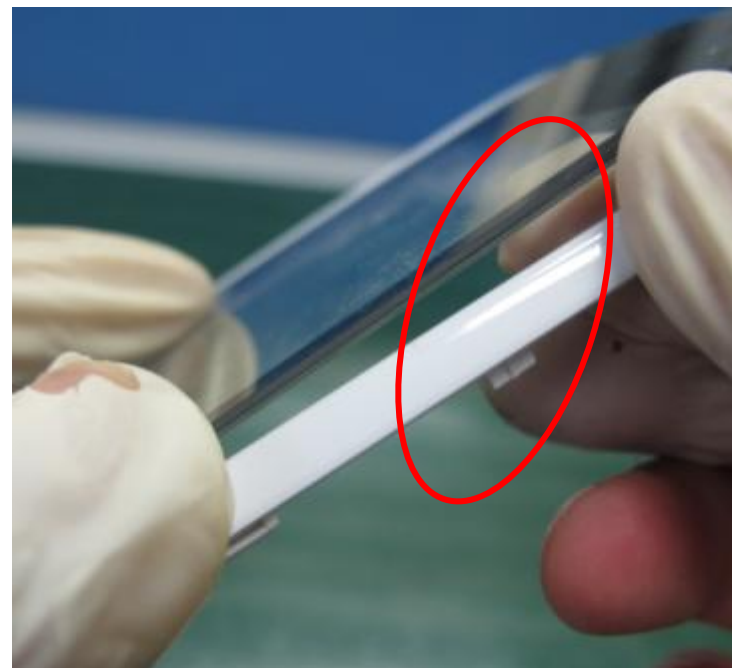


16.) 取下传感器避光罩，装机时务必贴回原为，否则打电话黑屏





17) 拆卸触摸前预计三分钟，减轻背胶粘度

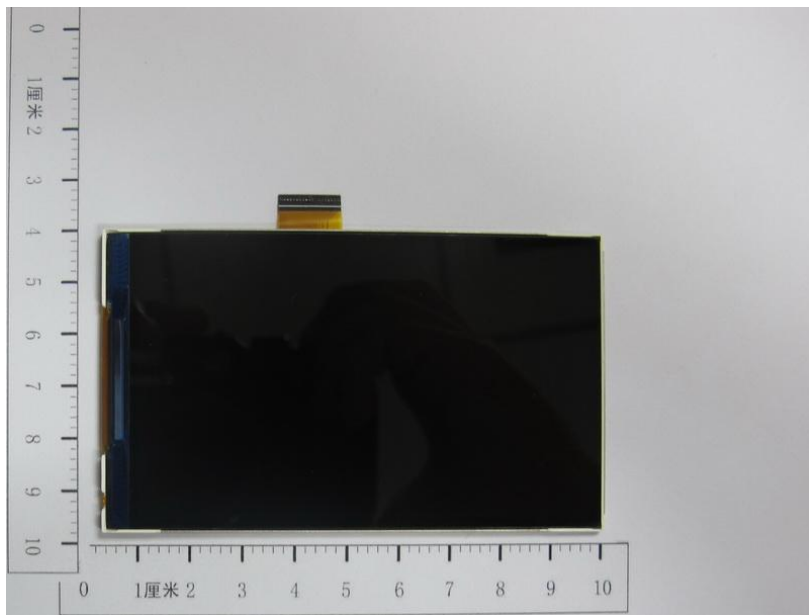


18 拆卸前用 80℃热风枪持续加热 3 分钟，如图所示慢慢顶起触屏，切勿暴力拆卸，以防屏碎。



22.) 全家福

# 特殊物料识别



名称：显示屏

料号：E010200141



名称：前壳组件

料号：M032000202



名称：后壳组件

料号：M032100227



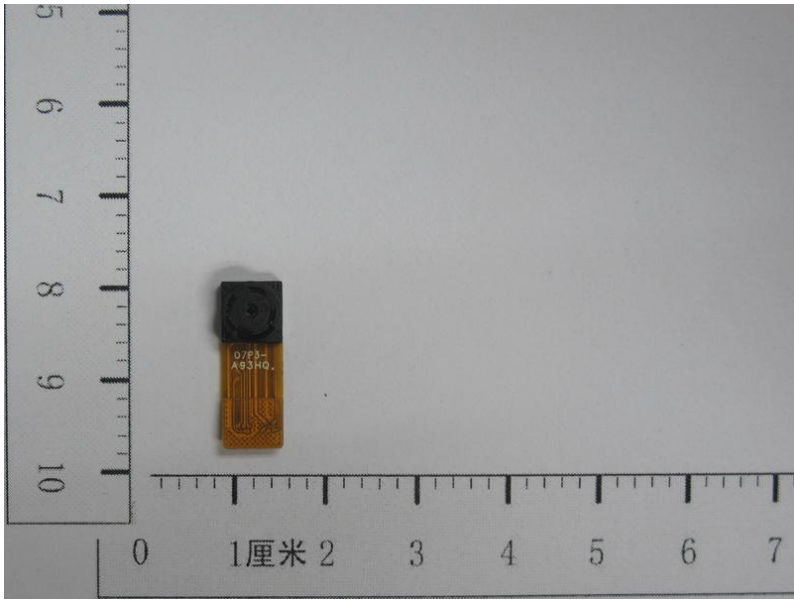
名称：电池盖

料号：M032200257



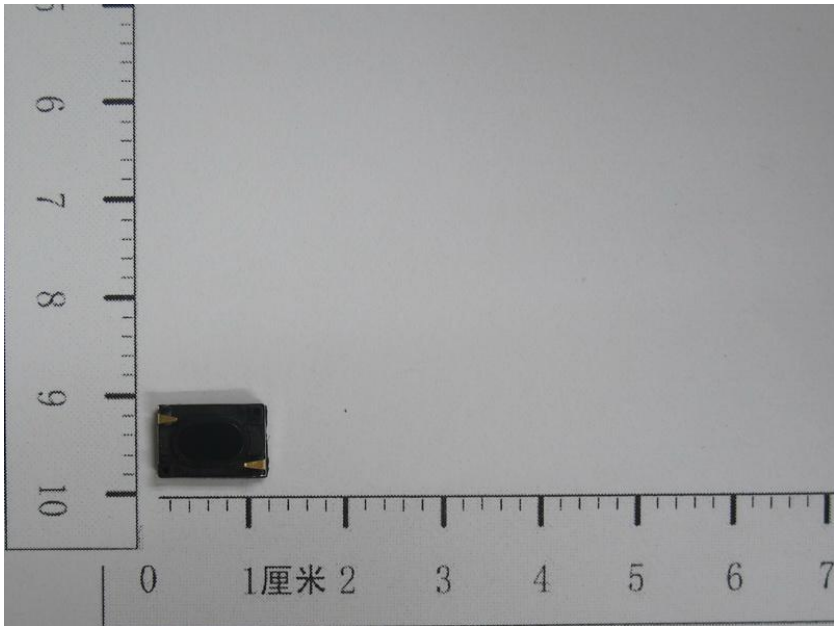
名称：触摸屏

料号：E012800238



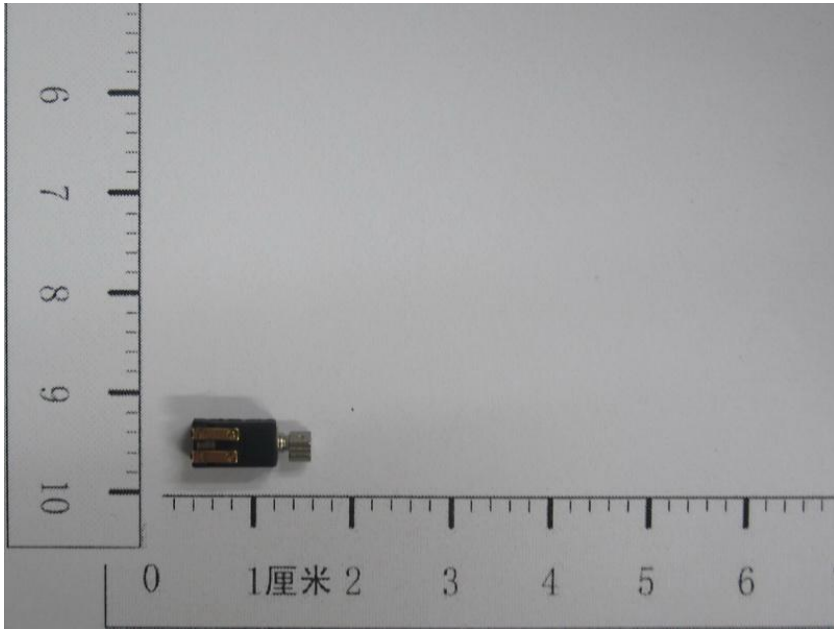
名称：摄像头

料号：E010400161



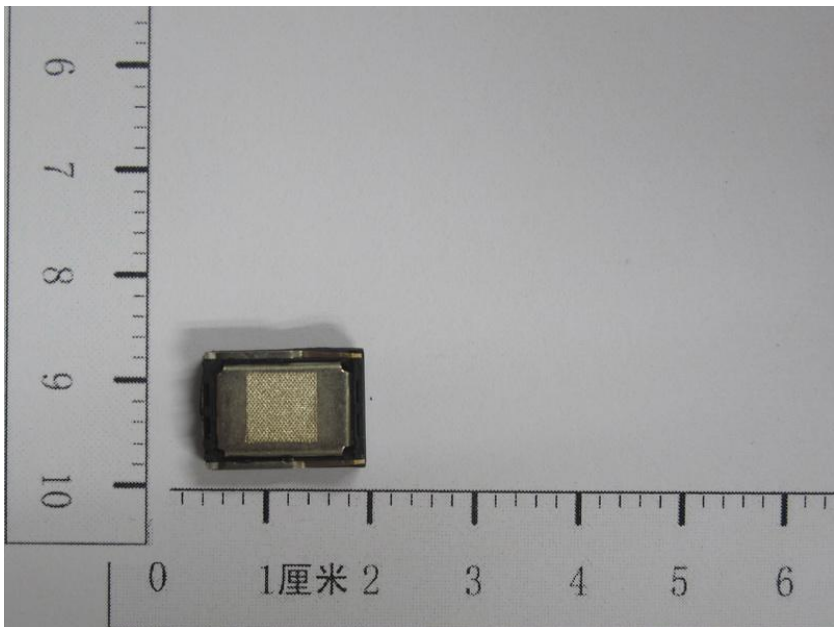
名称：受话器

料号：E060700128



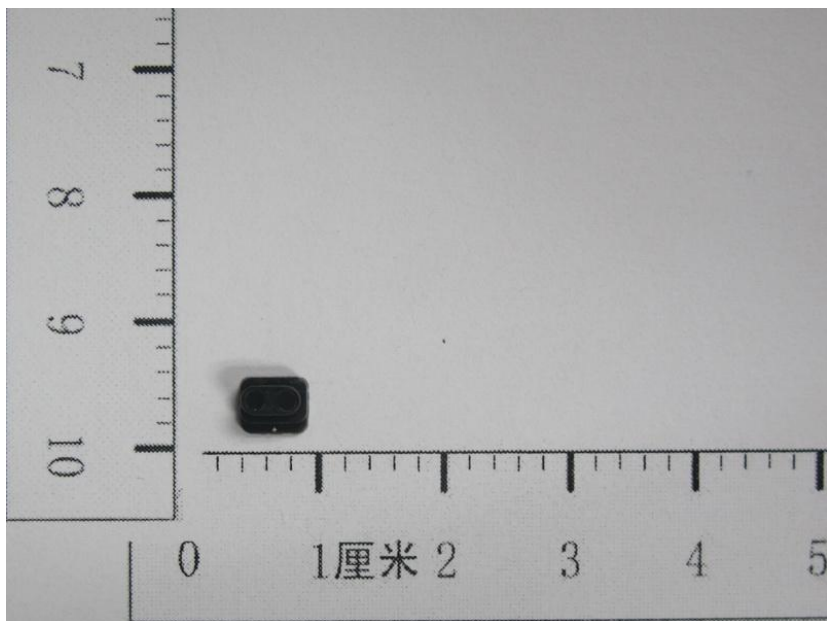
名称：马达

料号：E060500103



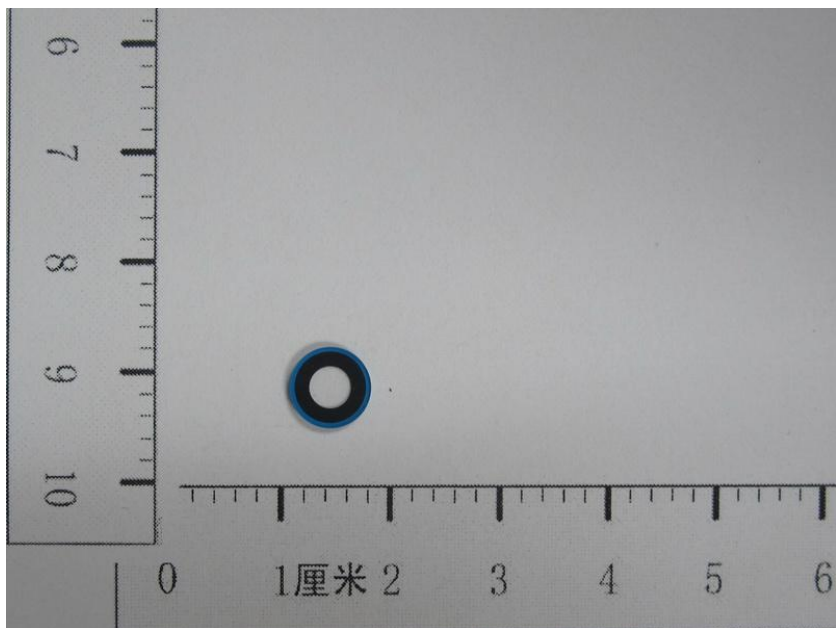
名称：扬声器

料号：E060600132



名称：距离传感器胶套

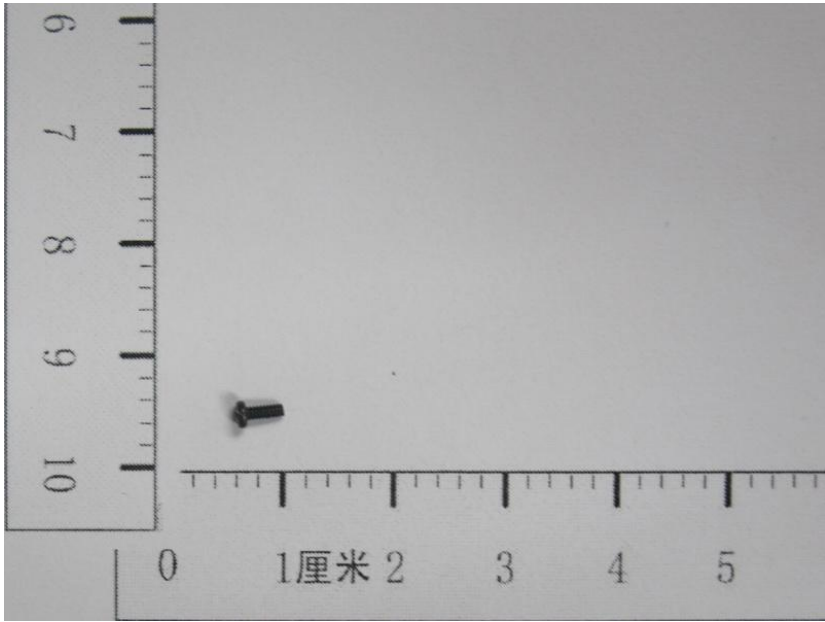
料号：M034500004



名称：摄像头镜片

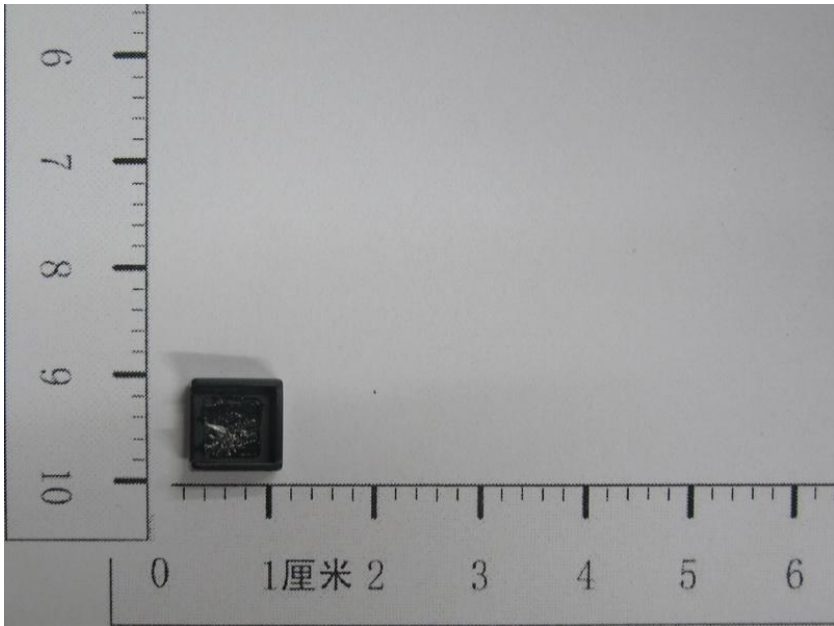
料号：M032800272





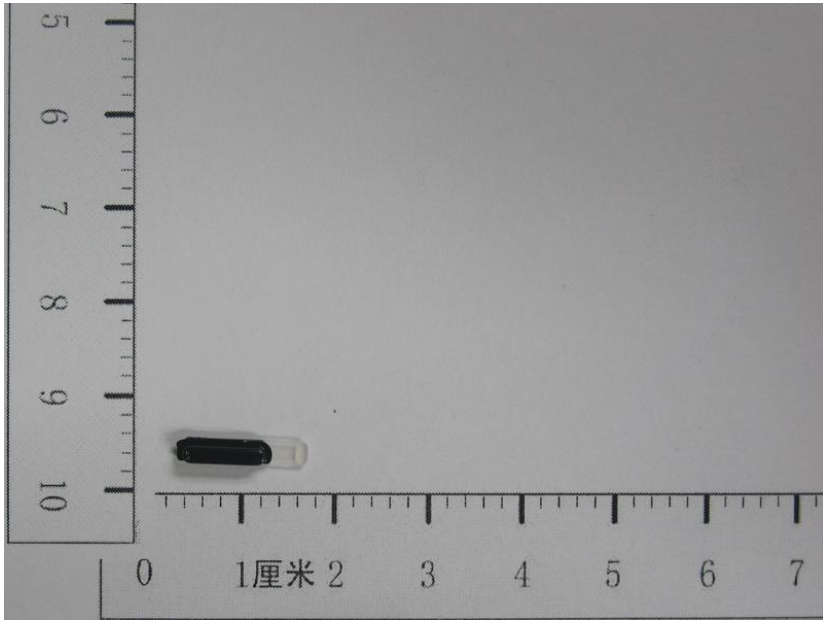
名称：螺钉

料号：M023900137



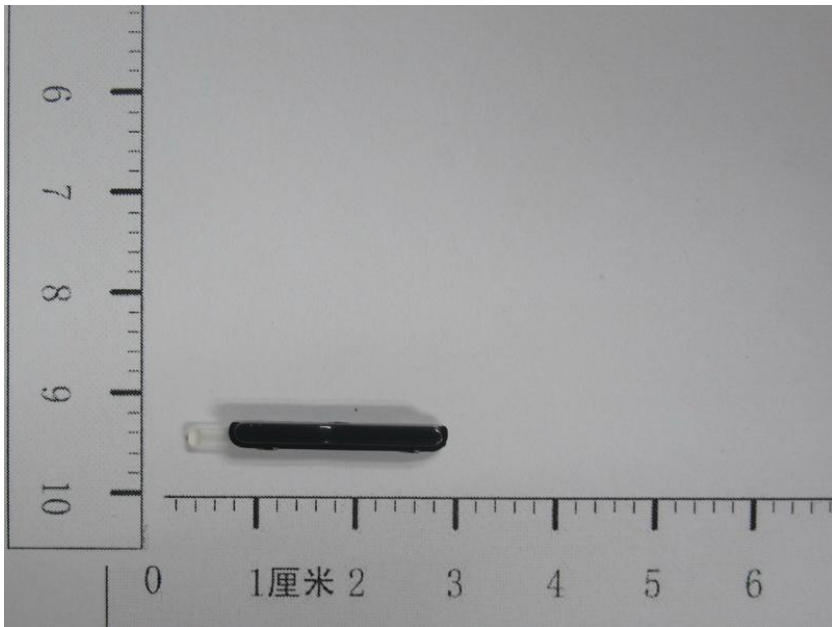
名称：摄像头支架

料号：M022700135



名称：电源键

料号：M032900320



名称：音量键

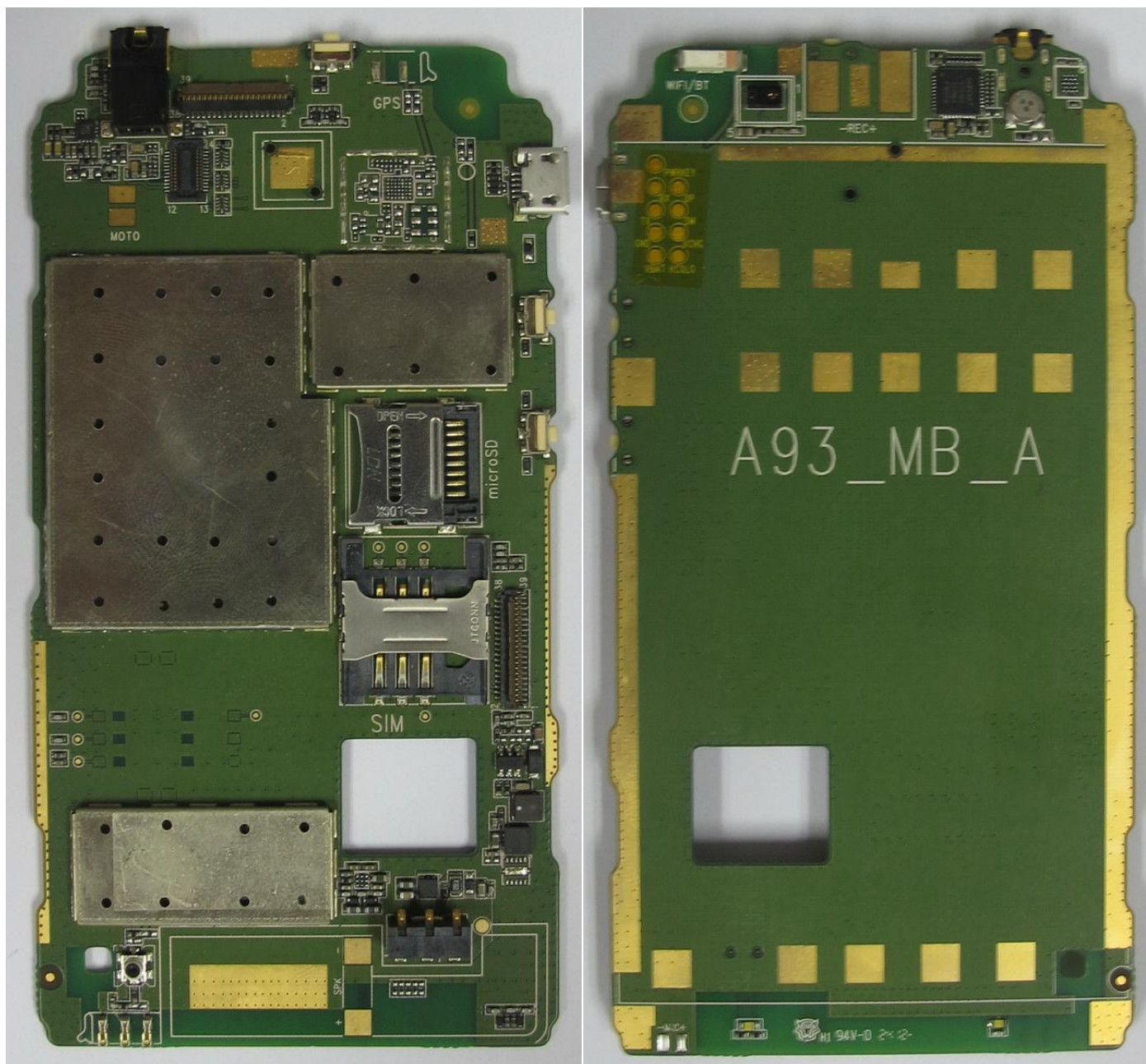
料号：M032900321



名称: MIC

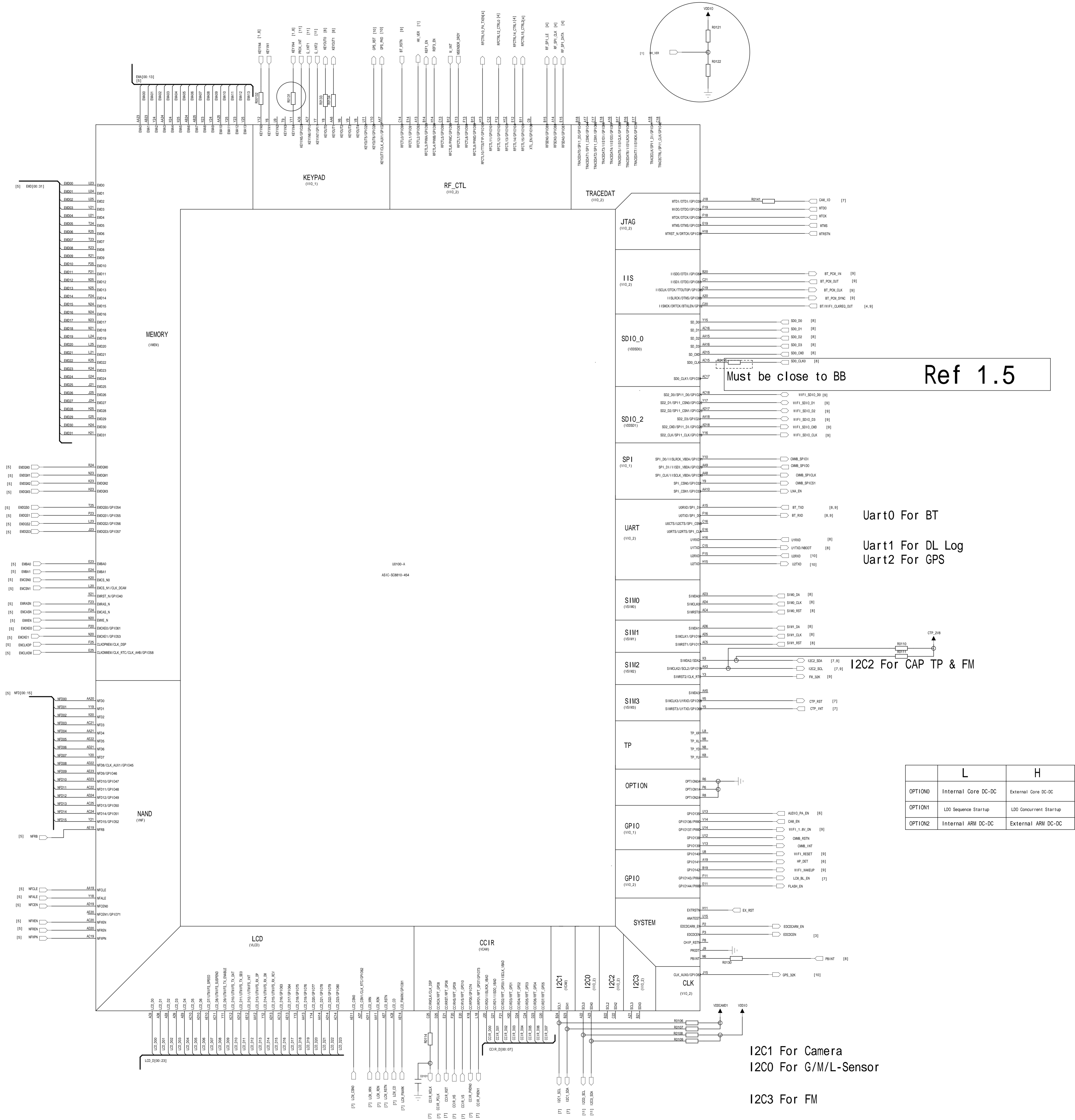
料号: E060800120

主板外观图



REVISION RECORD			
LEN	EDD NO.	APPROVED	DATE

# BB\_DIGITAL



Must be close to BB Ref 1.5

Uart0 For BT  
Uart1 For DL Log  
Uart2 For GPS

I2C2 For CAP TP & FM

I2C1 For Camera  
I2C0 For G/M/L-Sensor  
I2C3 For FM

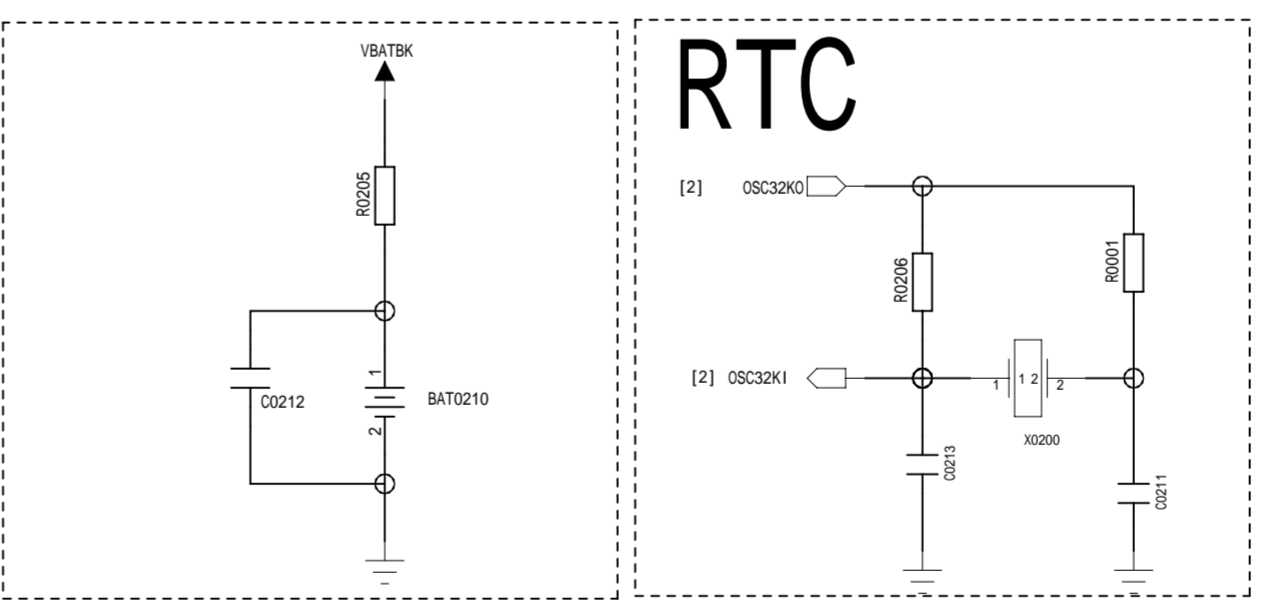
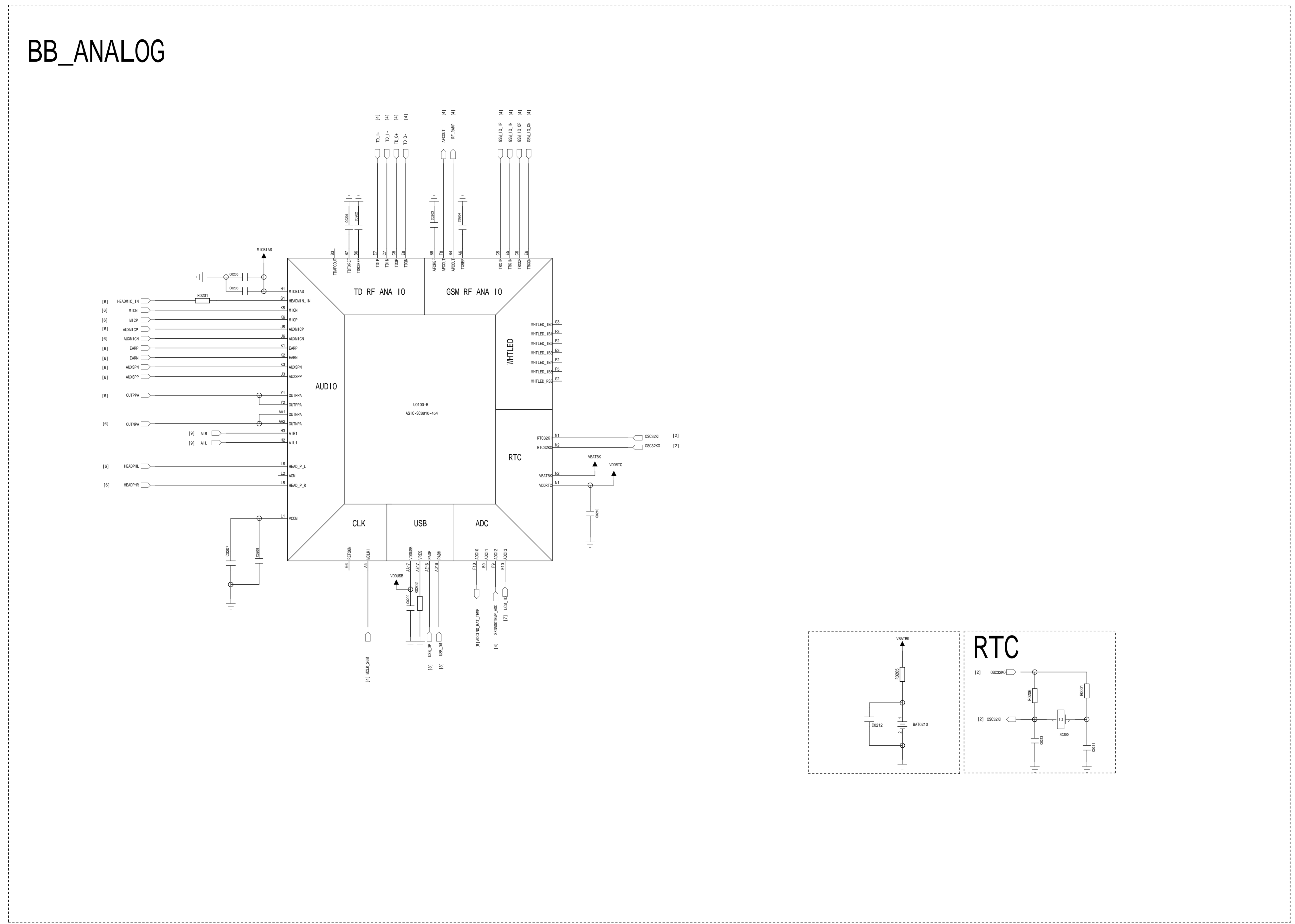
	L	H
OPTION0	Internal Core DC-DC	External Core DC-DC
OPTION1	LDO Sequence Startup	LDO Concurrent Startup
OPTION2	Internal ARM DC-DC	External ARM DC-DC

TITLE & REV: SP8810-1\_SCH\_V1.1.0

DOCUMENT NO.:

DESIGNER: Vincent Fan	DATE: 2011-11-10	DEPARTMENT: Hardware DEPT.
EDA: Gingsong.Xia	DATE: 2011-11-10	COMPANY: Spreadtrum communications, Inc.
APPROVED: Gang.Xu	DATE: 2011-11-10	CONFIDENTIAL AND PROPRIETARY

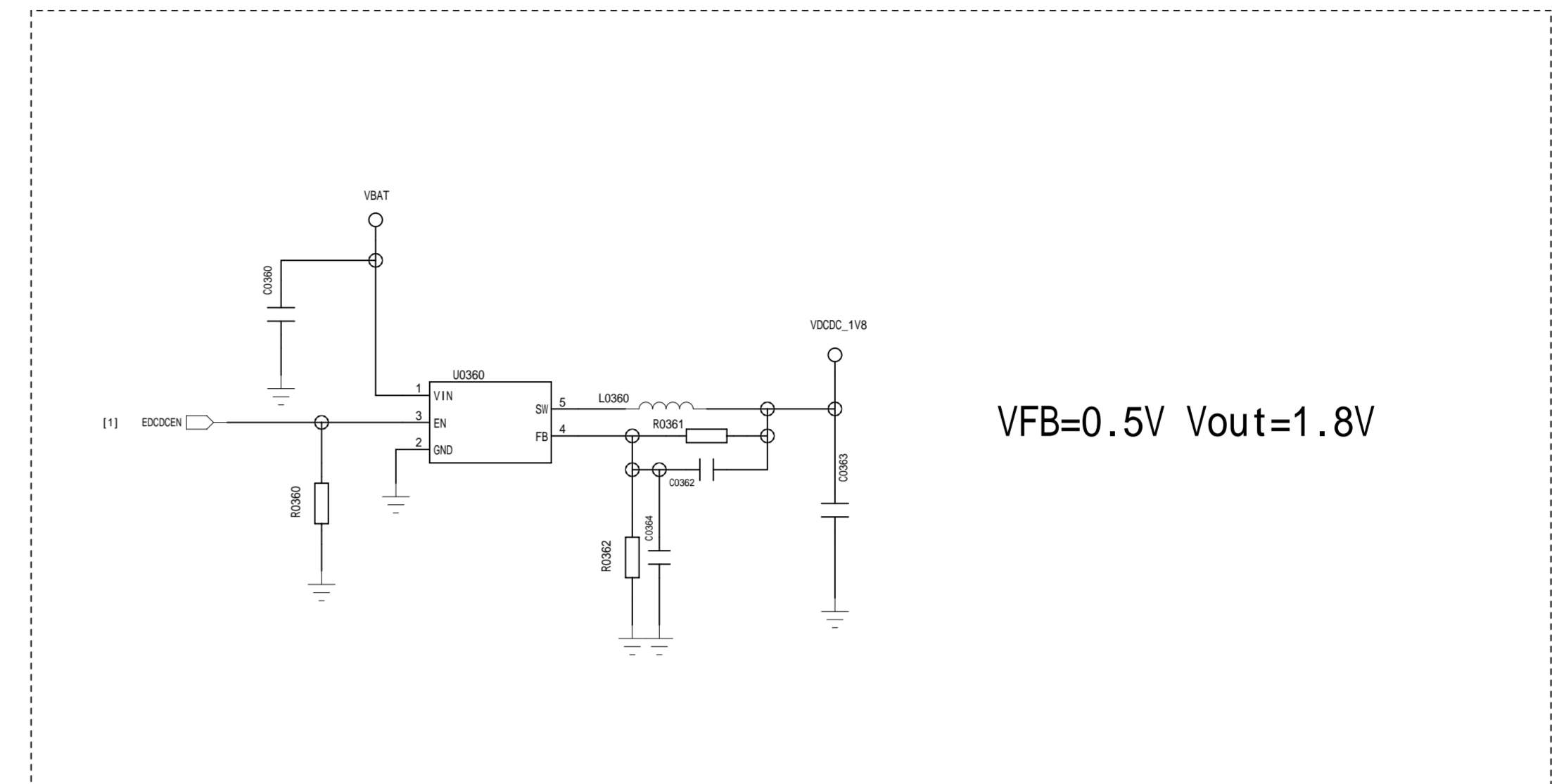
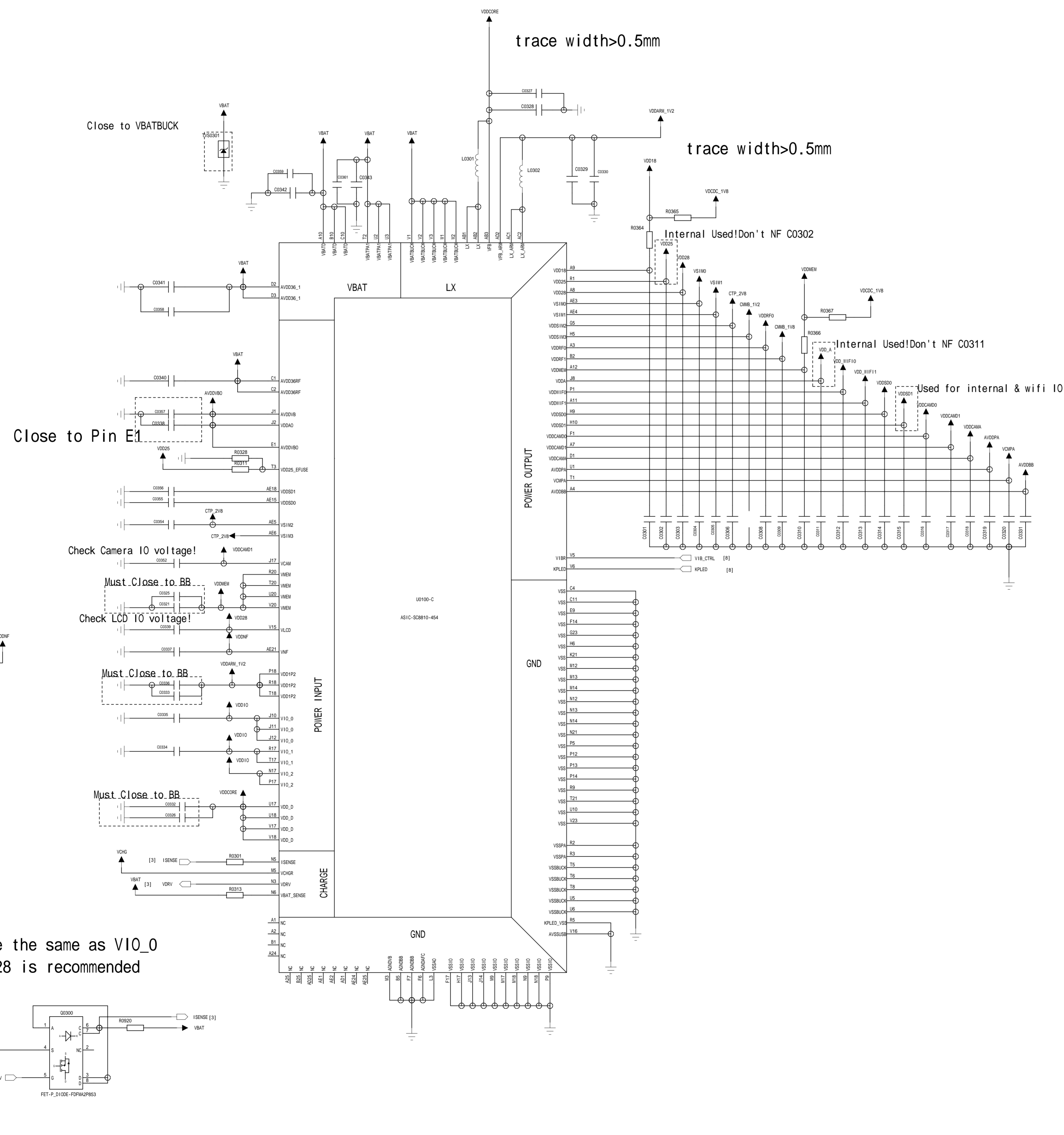
REVISION RECORD			
LN	ECO NO.	APPROVED	DATE



TITLE & REV:			
SP8810-1_SCH_V1.1.0			
DESIGNER:			
Vincent.Pan	DATE:	2011-11-10	DEPARTMENT:
Hardware DEPT.			
ISA:			
Qingsong.Xia	DATE:	2011-11-10	COMPANY:
Spreadtrum communications, Inc.			
APPROVED:			
Gang.Xu	DATE:	2011-11-10	CONFIDENTIAL AND PROPRIETARY
			SHEET: 3 OF 22

REVISION RECORD			
LTN	ECO NO.	APPROVED	DATE

# BB\_POWER

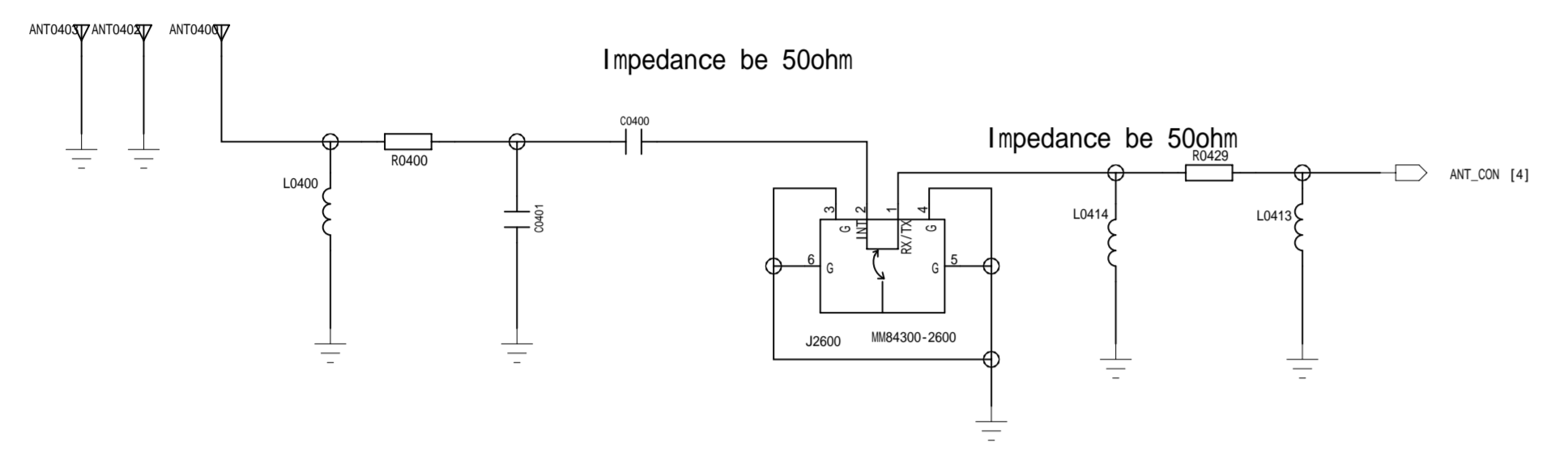


LDO	Output Voltage (V)	Output Current	Used Voltage
VDD18	1.2/1.5/1.8/2.8	200mA	1.8V
VDD25	2.5/2.75/2.9/3.0	60mA	2.5V
VDD28	1.8/2.65/2.8/3.0	200mA	2.8V
VSIM0	1.8/2.9/3.0/3.1	60mA	1.8/3.0V
VSIM1	1.8/2.9/3.0/3.1	60mA	1.8/3.0V(N/A)
VDDSIM2	1.2/1.8/2.8/3.0	200mA	2.8V
VDDSIM3	1.2/1.8/2.8/3.0	200mA	1.2V
VDDRF0	1.8/2.75/2.85/2.95	200mA	2.85V
VDDRF1	1.8/2.5/2.85/2.95	200mA	1.8V
VDDMEM	1.8	300mA	1.8V
VDDA	1.8	80mA	1.8V
VDDWIFI0	1.2/1.8/2.8/3.3	200mA	1.8V
VDDWIFI1	1.2/1.8/2.8/3.3	200mA	1.8V
VDDSD0	1.8/2.5/2.8/3.0	150mA	3.0V
VDDSD1	1.8/2.5/2.8/3.0	150mA	1.8V
VDDCAMD0	1.3/1.5/1.8/2.8	100mA	1.8V
VDDCAMD1	1.2/1.8/2.8/3.3	100mA	1.8V
VDDCAMA	1.8/2.5/2.8/3.0	150mA	2.8V
AVDDBB	2.8/2.9/3.0/3.1	60mA	3.0V
AVDDVB	2.9/3.2/3.3/3.4	100mA	3.3V
VDDUSB	3.1/3.2/3.3/3.4	60mA	3.3V
VBATBK	2.6/2.8/3.0/3.2		2.8V
VDDRTC	1.5/1.6/1.7/1.8		1.8V
VDDCORE	0.7/0.8/0.9/1.1/1.2/1.3	400mA	1.1V
VDDARM	0.7/0.8/0.9/1.1/1.2/1.3	500mA	1.2V

REVISION RECORD			
LTN	REV. NO.	APPROVED	DATE

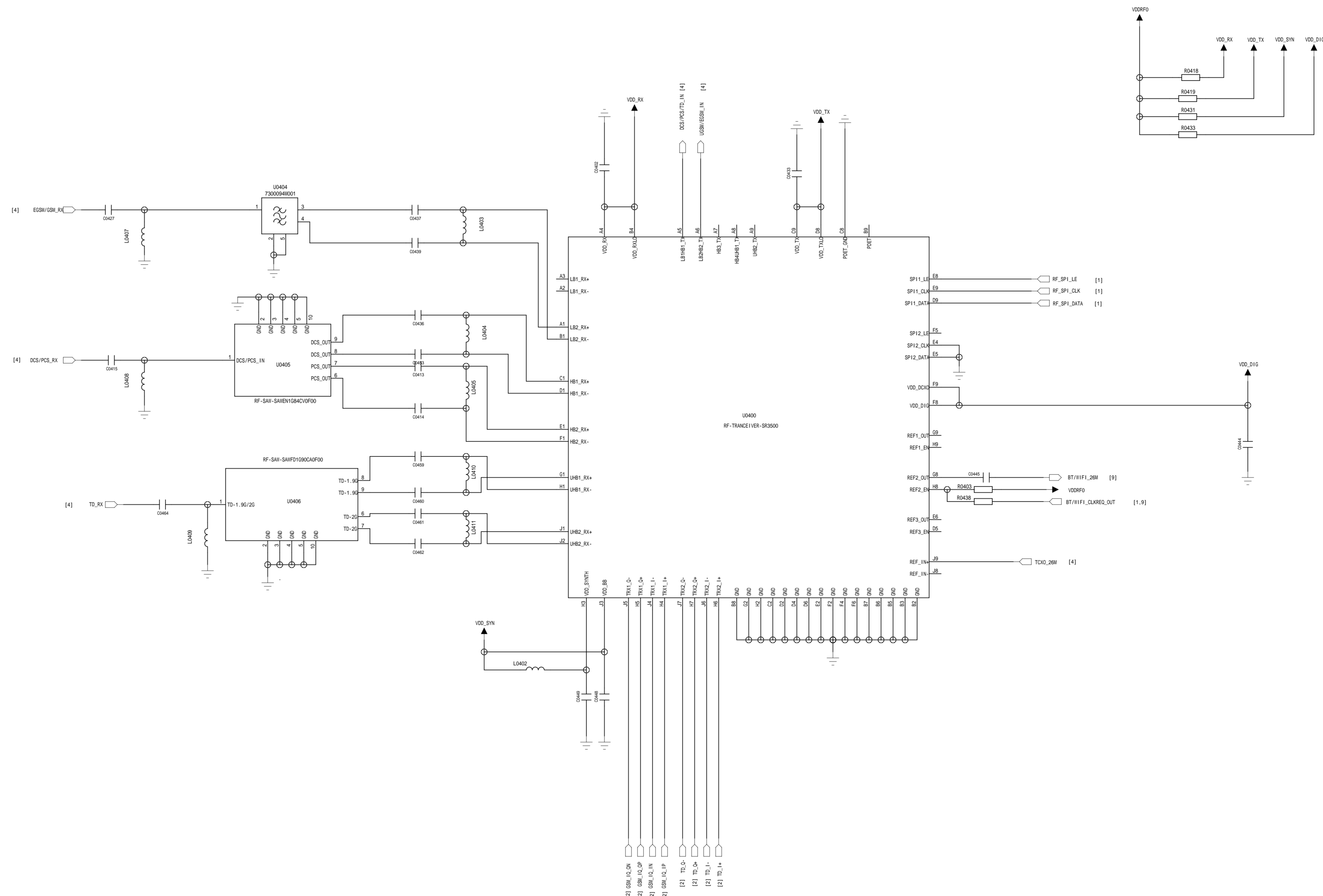
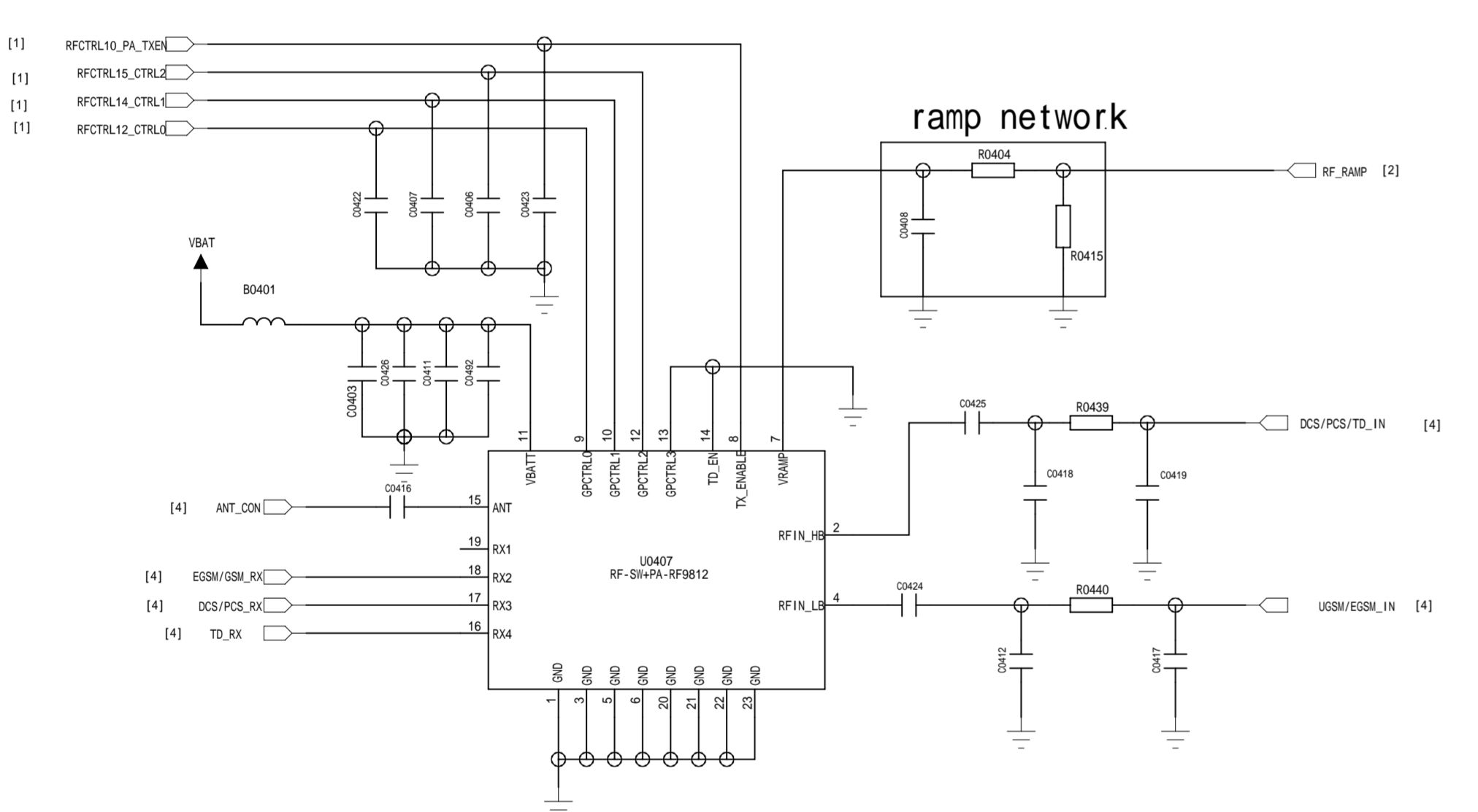
# RF TRANSCEIVER

## RF ANT

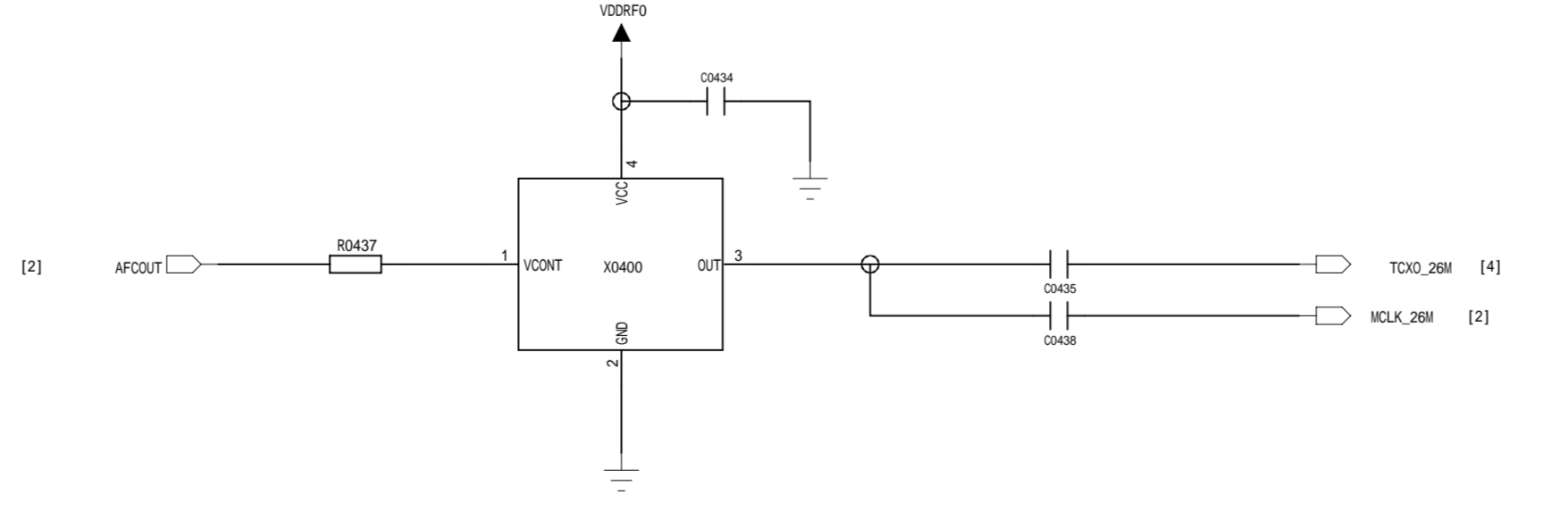


## PA MODULE

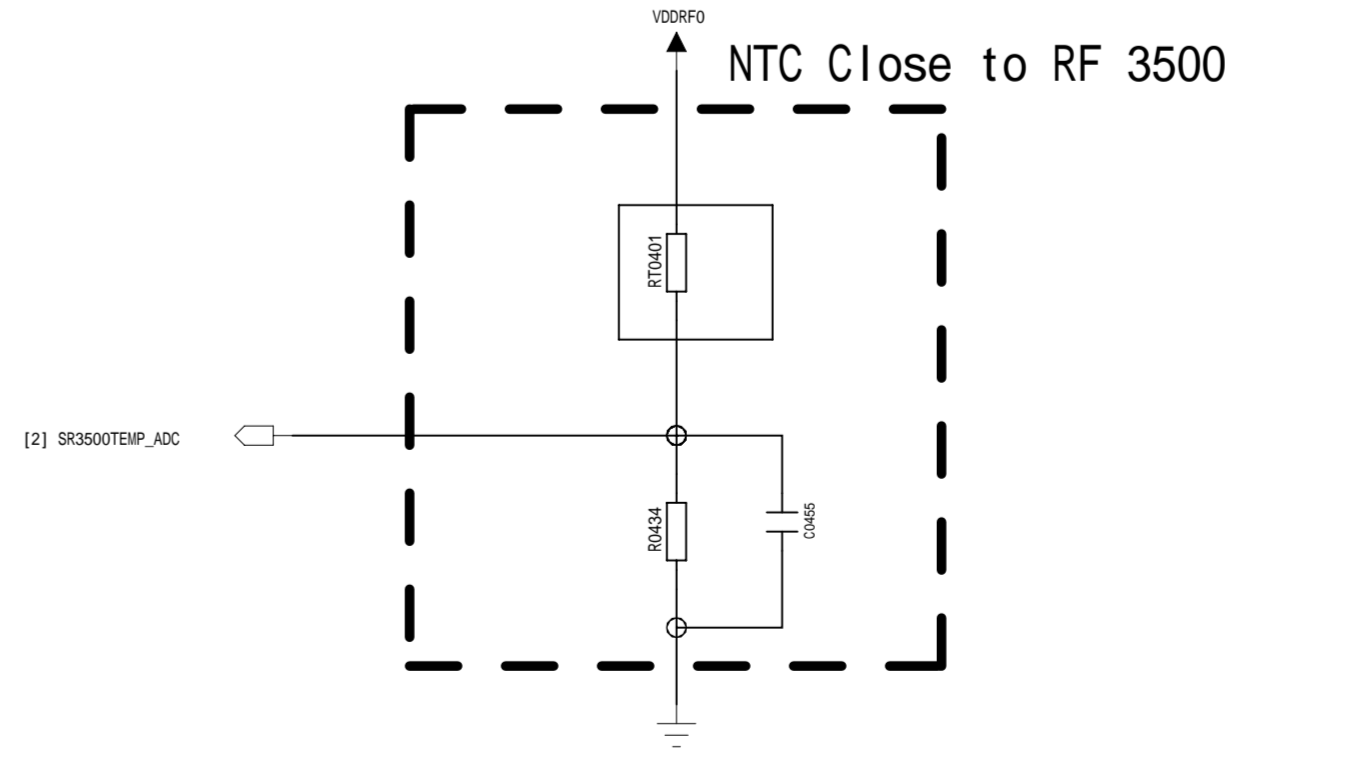
	VRAMP	TXEN	Ctrl_2	Ctrl_1	Ctrl_0	SWITCH
RX1_NC	0	0	1	0	0	0
RX2_USM/ESM	0	0	0	1	0	0
RX3_DCS/PCS	0	0	0	1	1	0
RX4_TD_RX	0	0	0	0	1	0
TX_LB_GSM	RAMP	1	0	1	0	0
TX_HB_GSM	RAMP	1	0	1	1	1
TX_LB_EDGE	1	1	0	0	0	0
TX_HB_EDGE	1	1	0	0	1	1
TD_TX	0	1	0	0	1	0



## 26MHz TCXO Module



## TEMP SENSOR

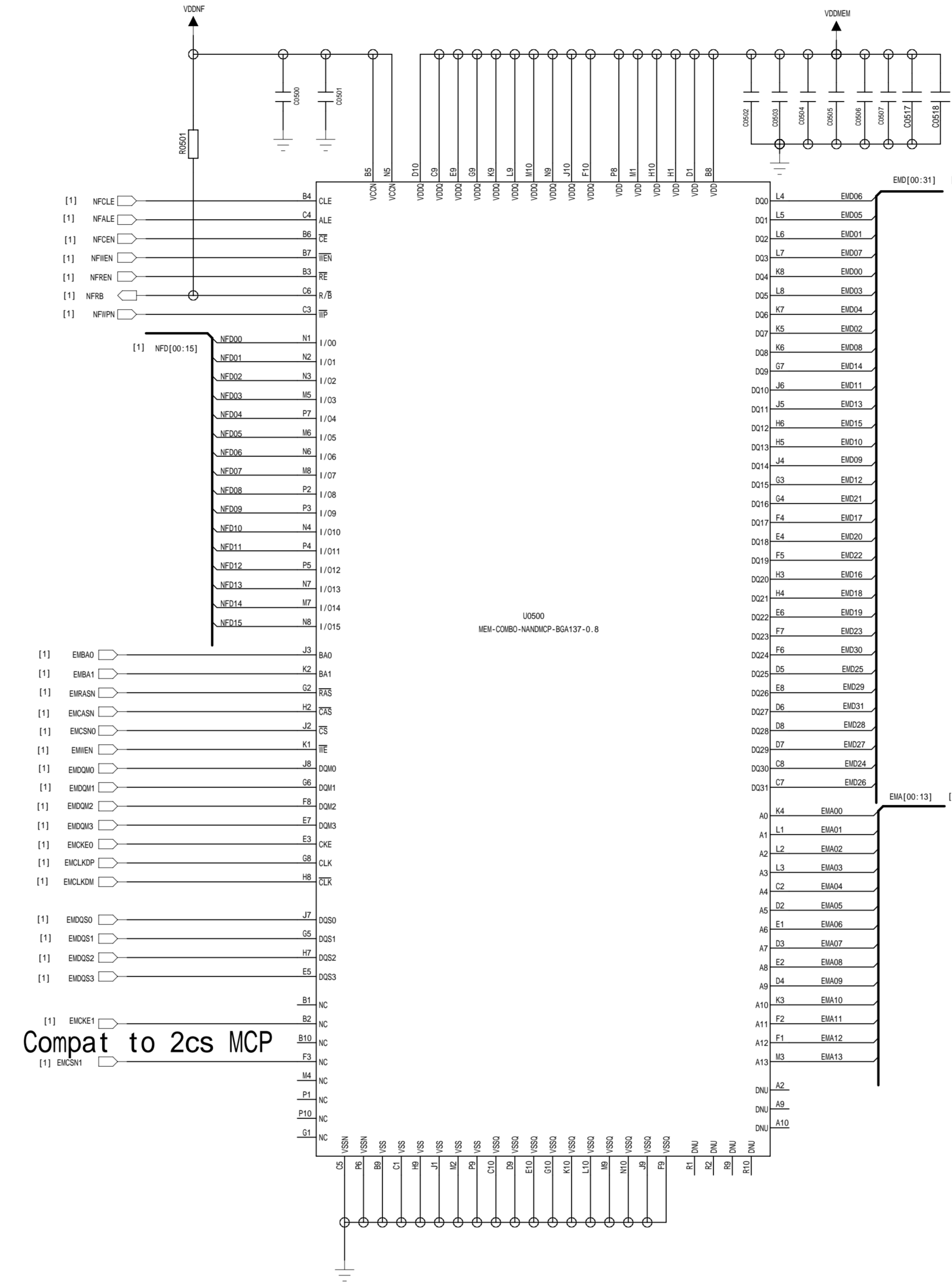




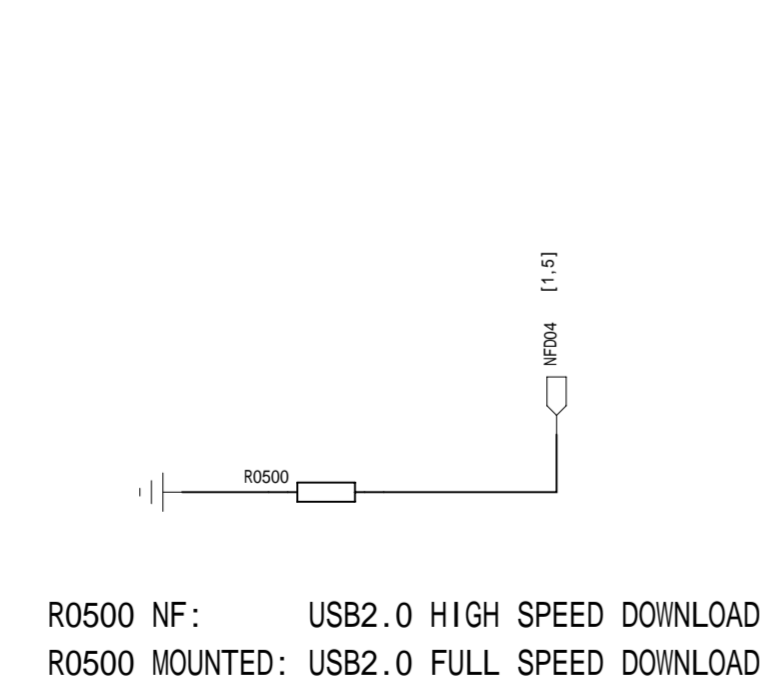
REVISION RECORD			
LT#	ECO NO.	APPROVED	DATE

# MCP

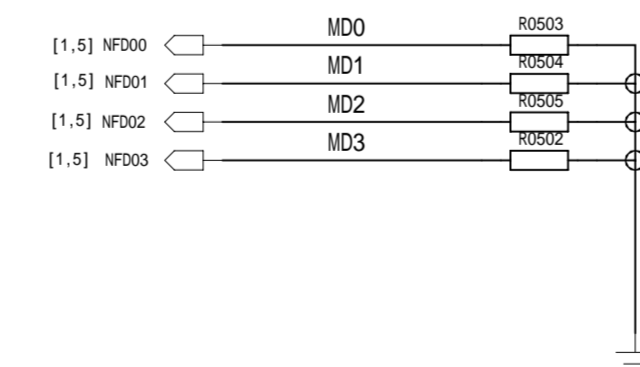
NAND Voltage is 1.8V.  
 DDR Voltage is 1.8V.



## USB Download Mode Select



## NAND FLASH Configuration



## NAND FLASH Configuration

NAND FLASH	MD3	MD2	MD1	MD0	Size
NAND_PL_ADDR4_B16_A1	0	0	0	0	Size=1Gb
NAND_PL_ADDR4_B8_A1	0	0	0	1	
NAND_PL_ADDR5_B16_A1	0	0	1	0	Size>1Gb
NAND_PL_ADDR5_B8_A1	0	0	1	1	
NAND_PS_ADDR4_B16_A0	0	1	0	0	Size<=1Gb
NAND_PS_ADDR4_B8_A0	0	1	1	1	
NAND_PS_ADDR3_B16_A0	0	1	1	0	
NAND_PS_ADDR3_B8_A0	0	1	0	1	
Default	1	1	1	1	

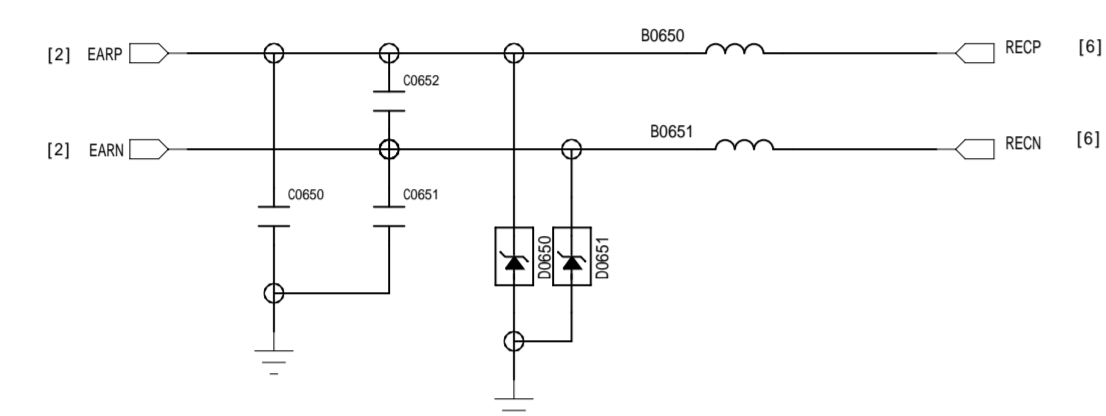
TITLE & REV: SP8810-1\_SCH\_V1.1.0

DOCUMENT NO.:

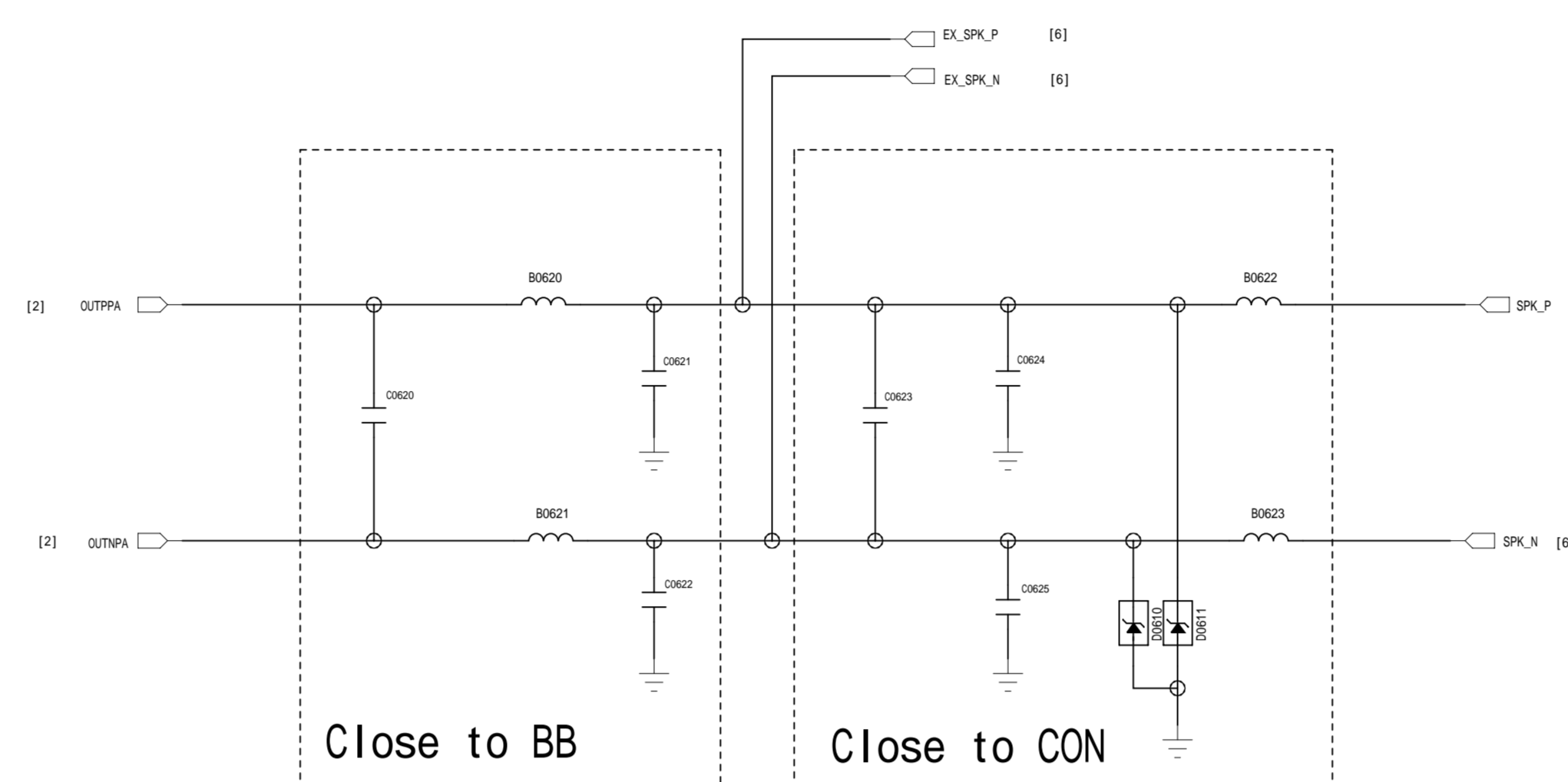
DESIGNER: Vincent_Pan	DATE: 2011-11-10	DEPARTMENT: Hardware DEPT.
SGA: Qingsong_Xia	DATE: 2011-11-10	COMPANY: Spreadtrum communications, Inc.
APPROVED: Gang_Xu	DATE: 2011-11-10	CONFIDENTIAL AND PROPRIETARY

REVISION RECORD			
LTN	ECO NO.	APPROVED	DATE

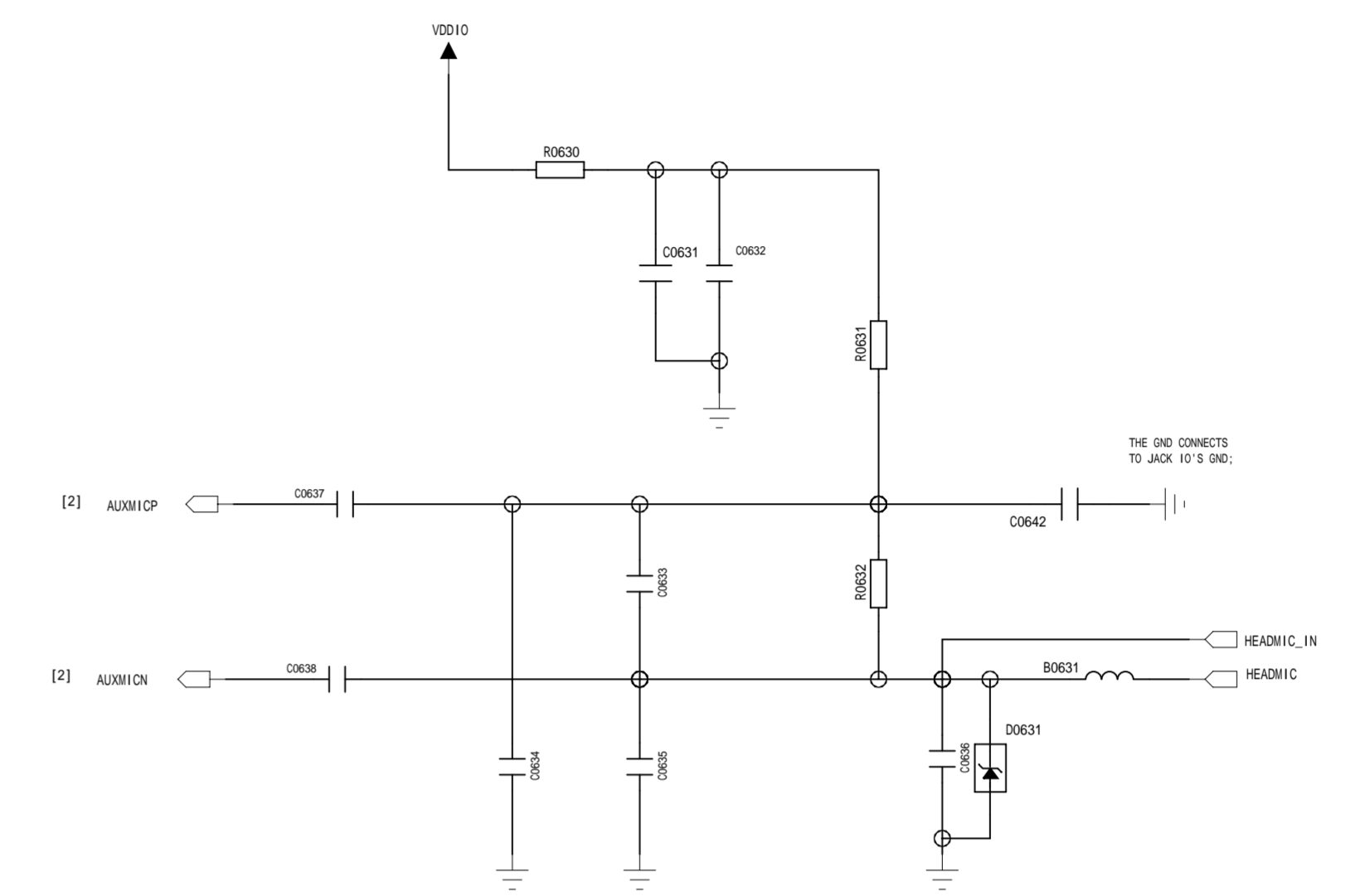
### Handset receiver



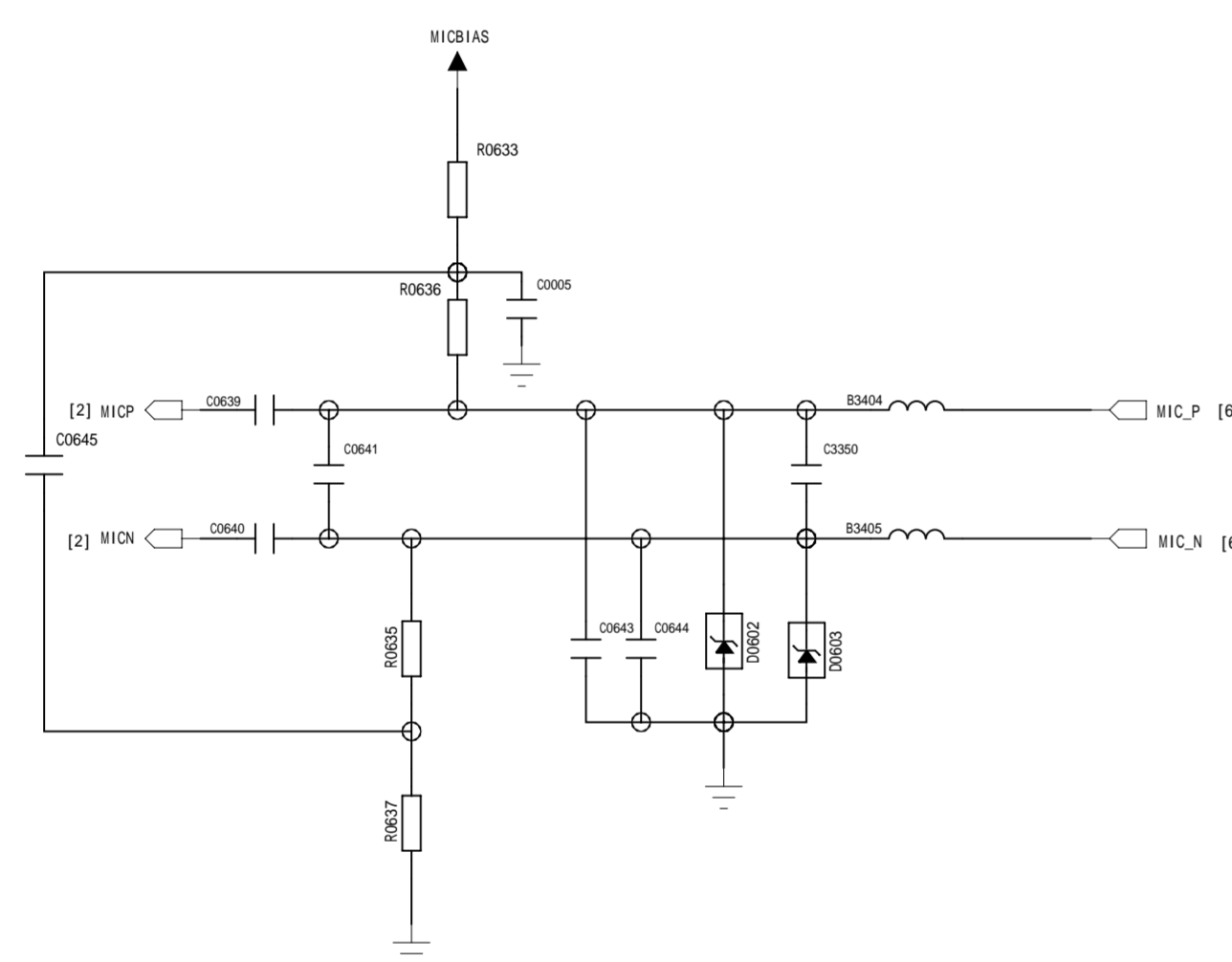
### SPEAKER CIRCUIT



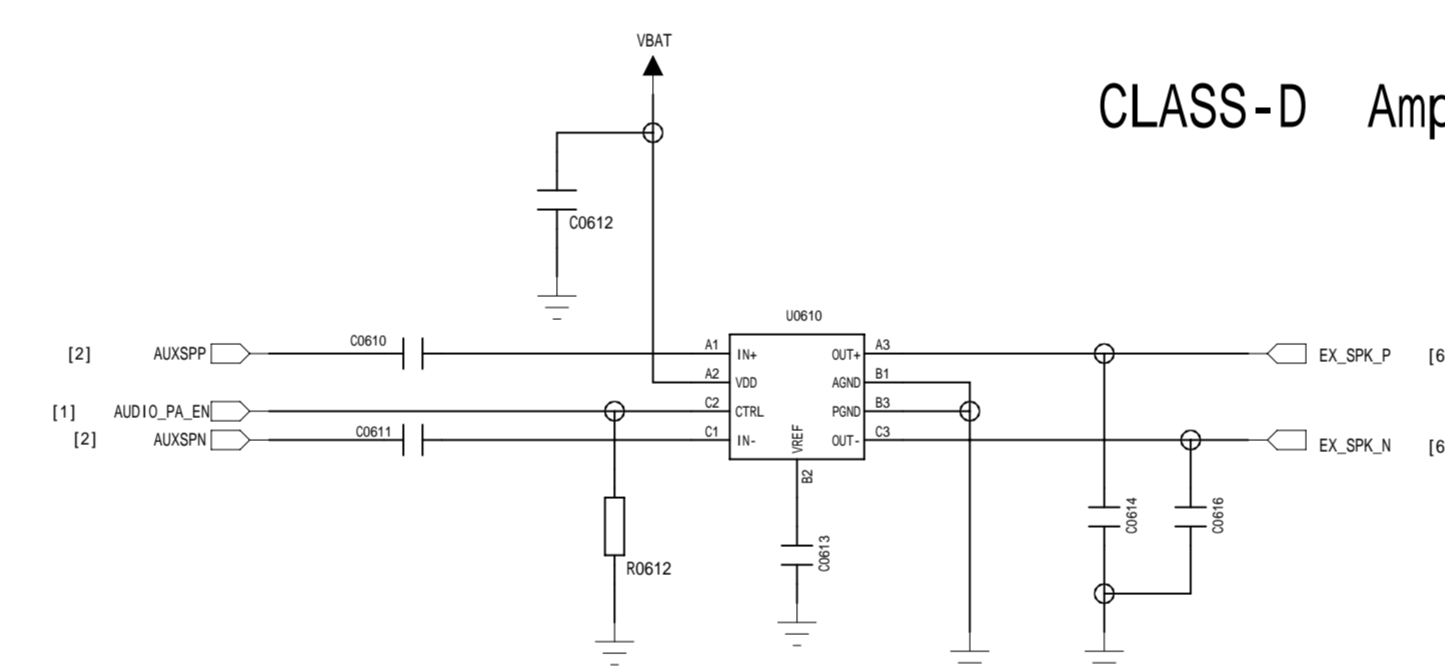
### HEAD MIC



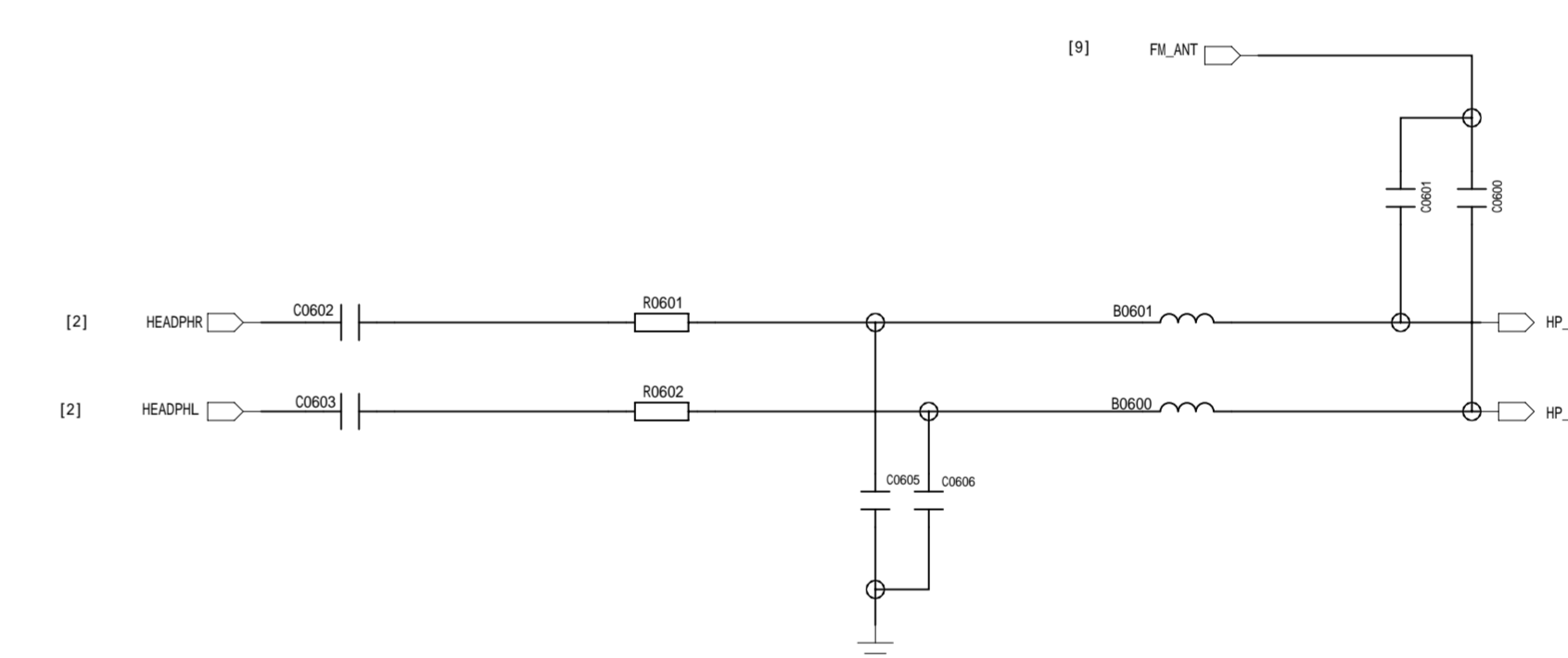
### MIC CIRCUIT



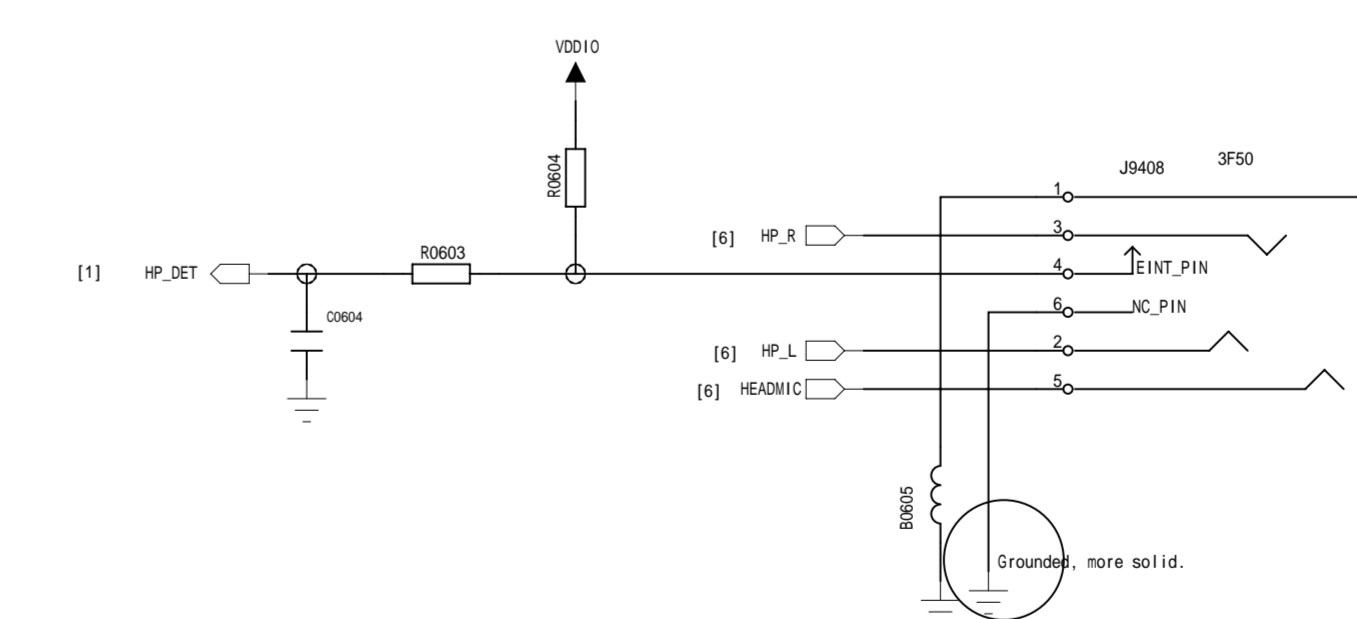
### CLASS-D Amplifier



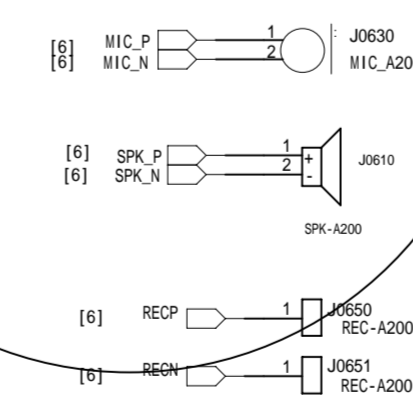
### HEAD EAR



### 3.5mm Headphone Jack



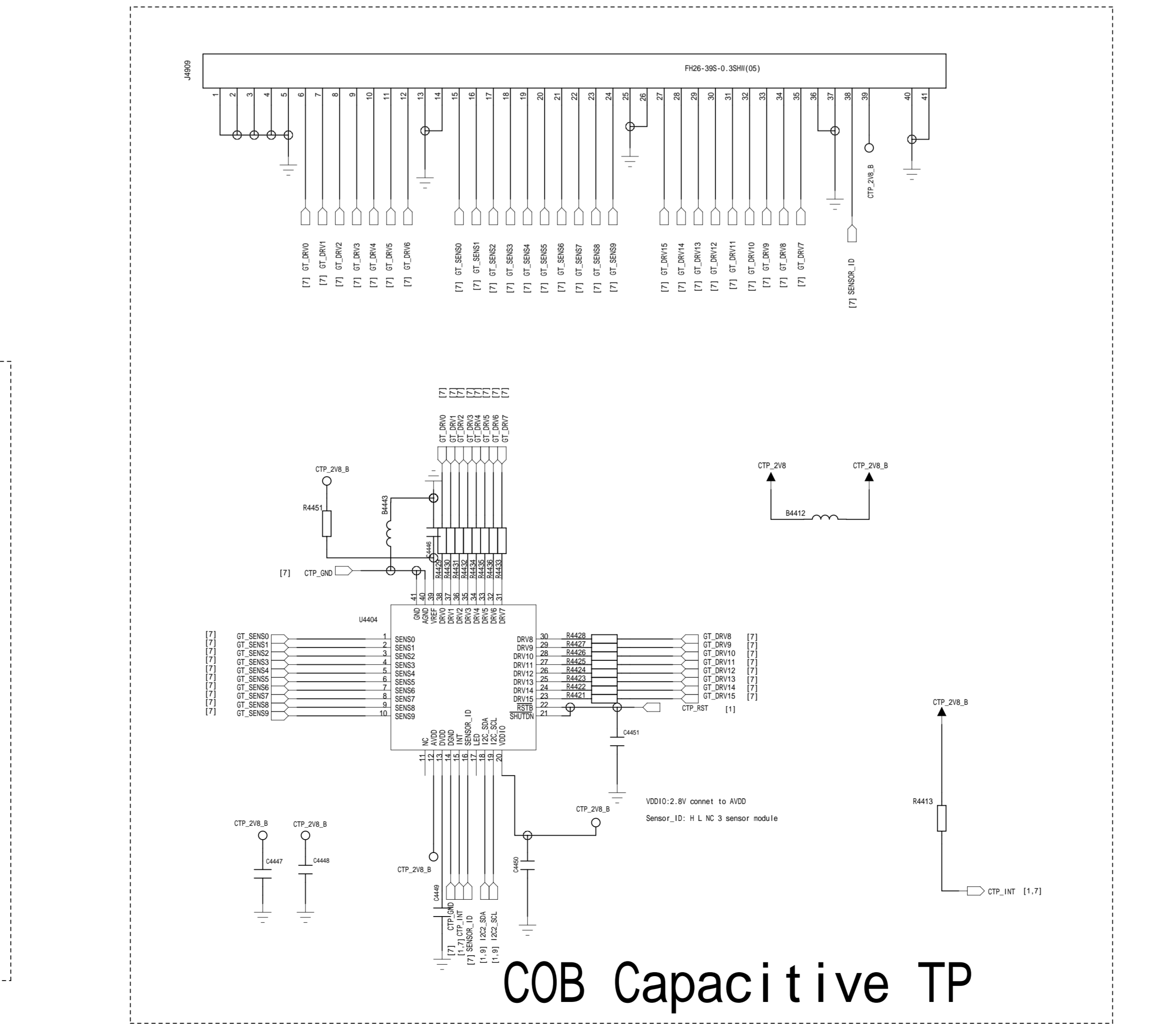
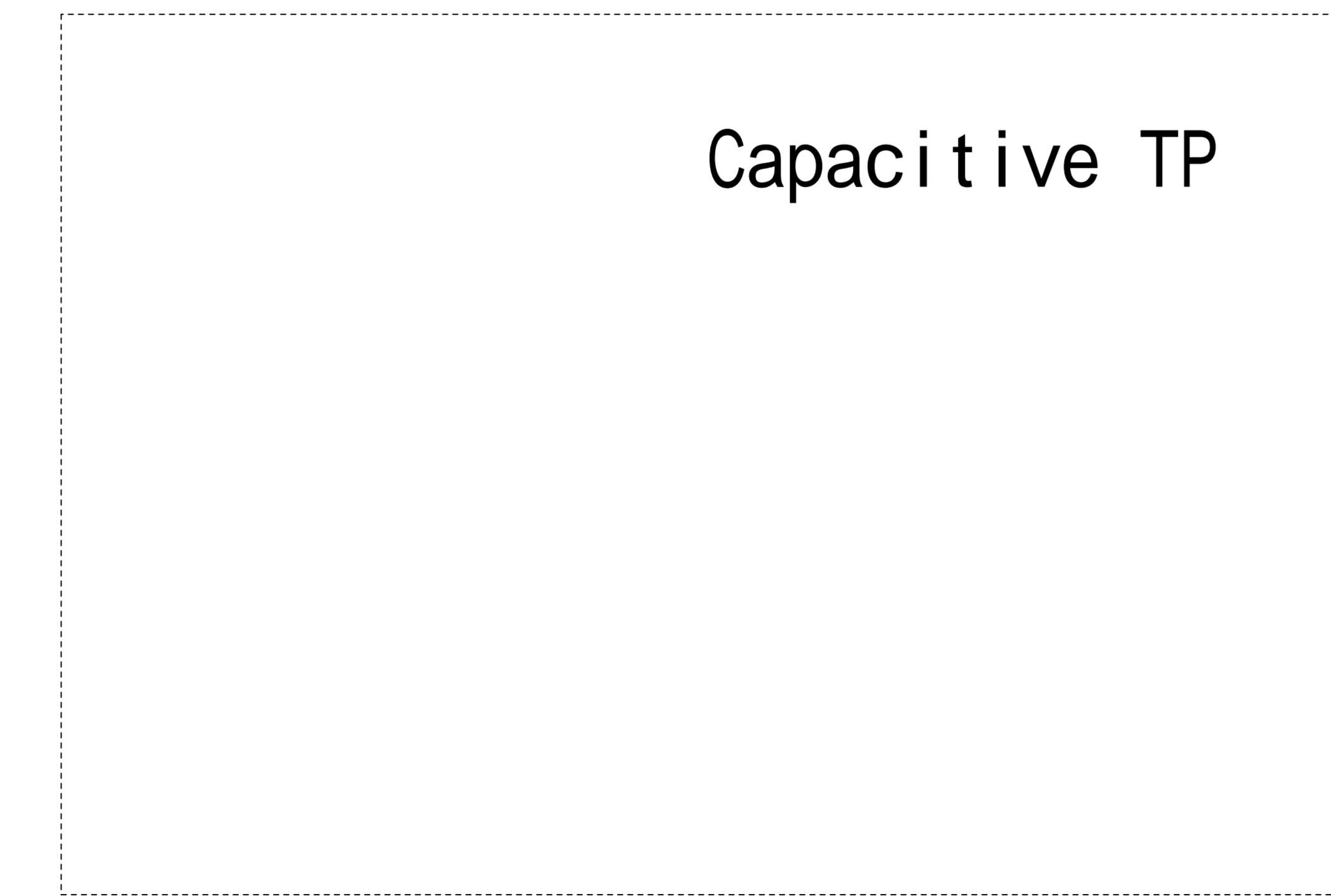
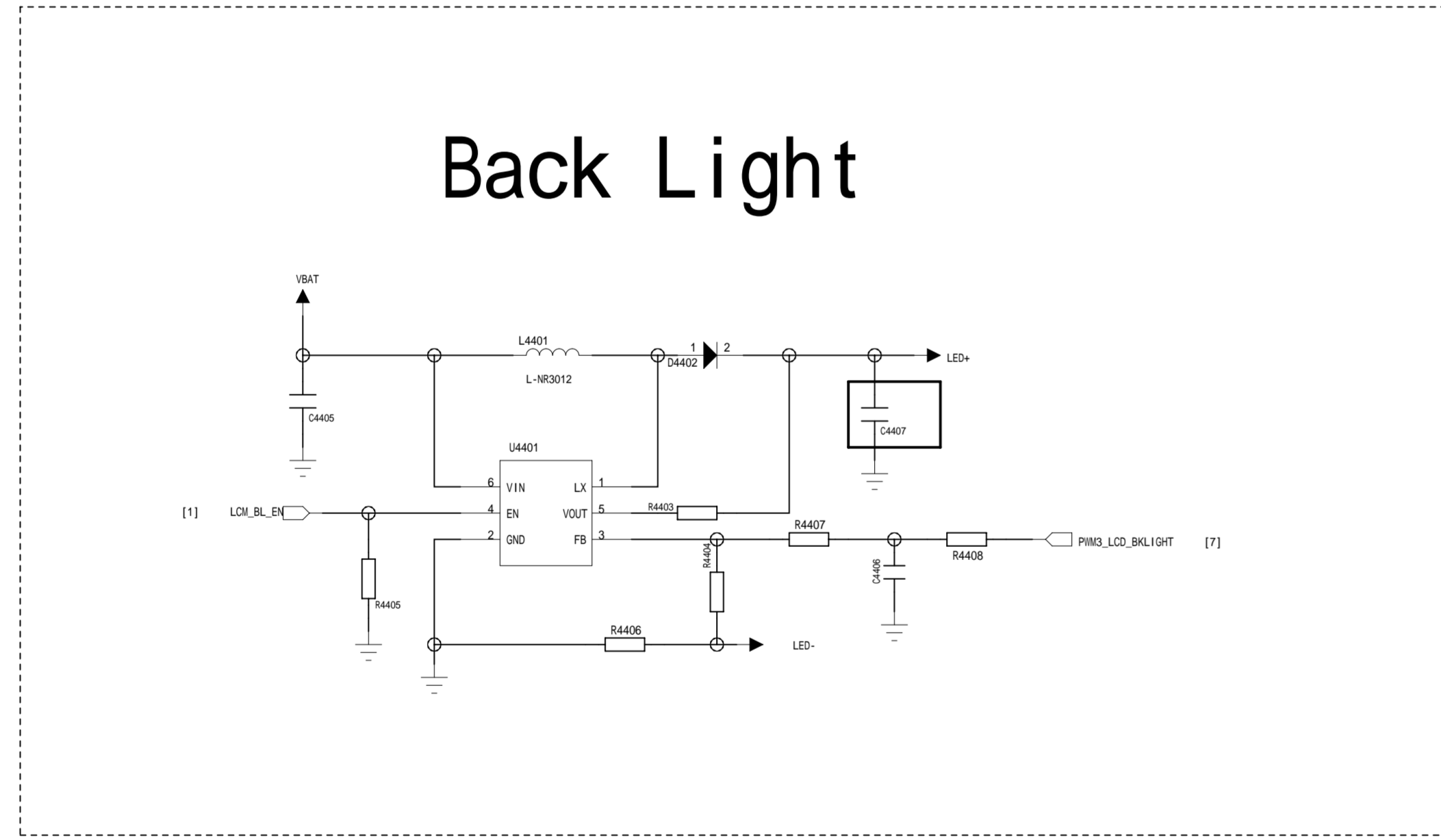
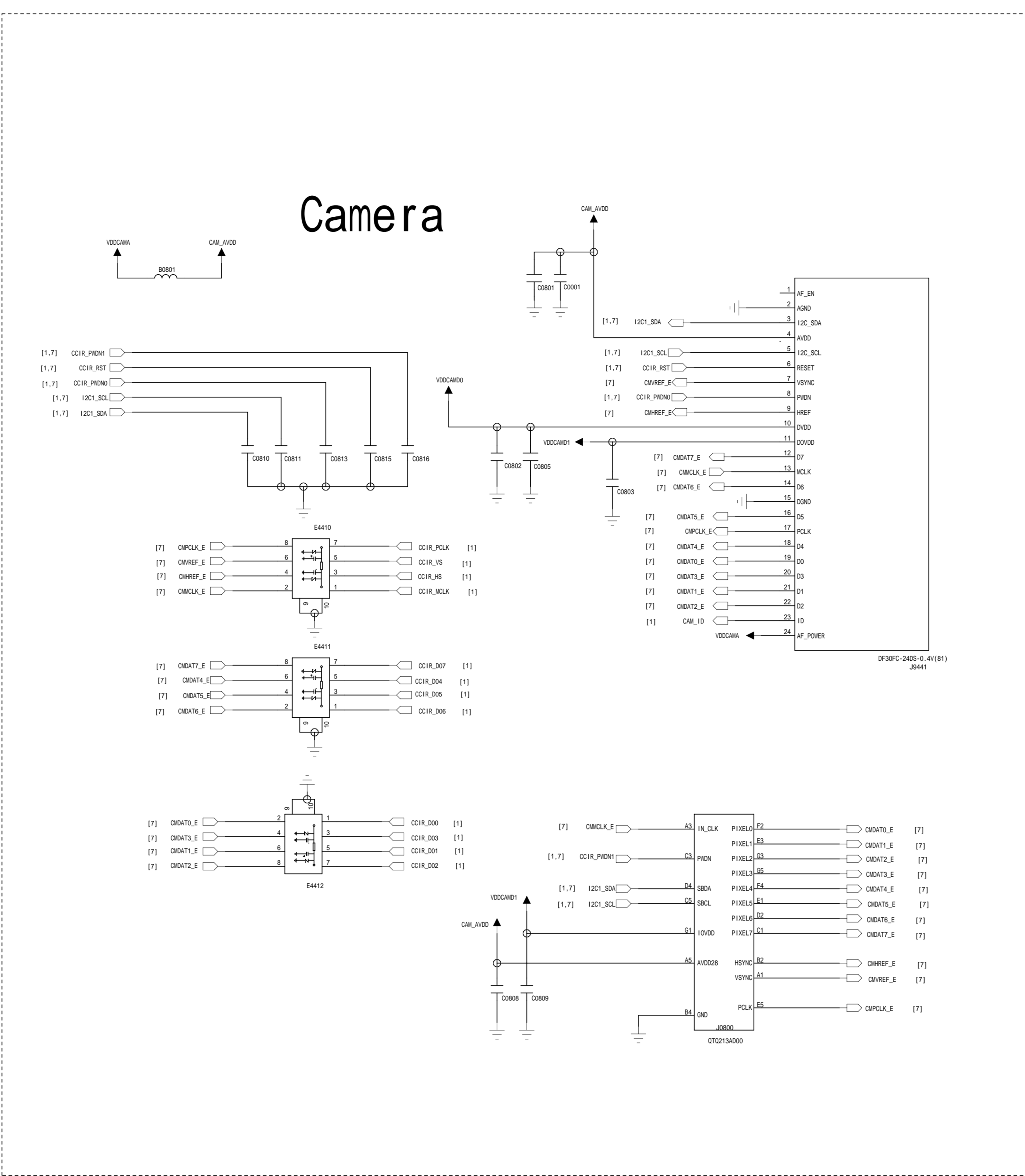
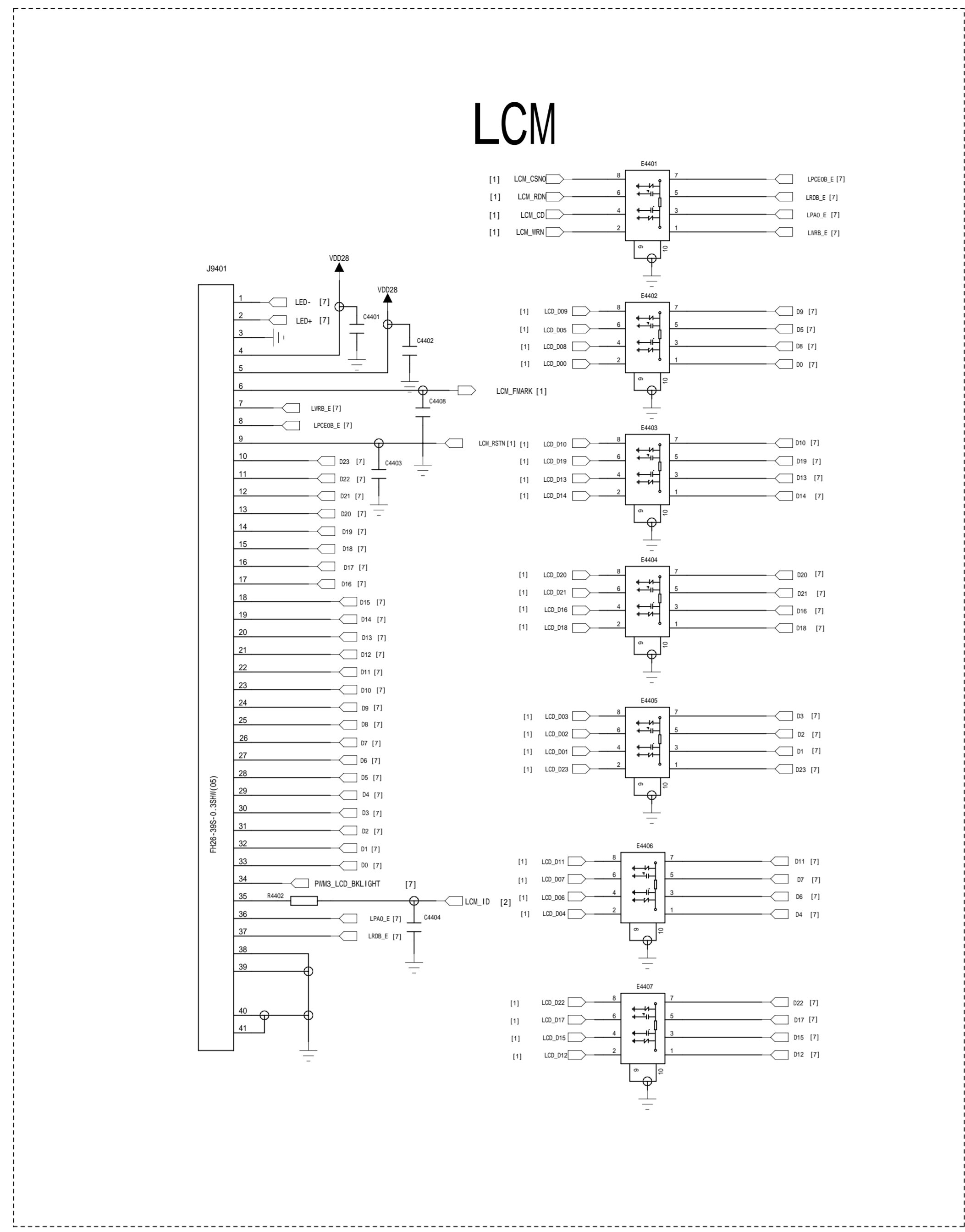
### Audio con



TITLE & REV: SP8810-1\_SCH\_V1.1.0  
DOCUMENT NO.:

DESIGNER: Vincent.Pan	DATE: 2011-11-10	DEPARTMENT: Hardware DEPT.
ED: Qingsong.Xia	DATE: 2011-11-10	COMPANY: Spreadtrum communications, Inc.
APPROVED: Sang.Xu	DATE: 2011-11-10	CONFIDENTIAL AND PROPRIETARY

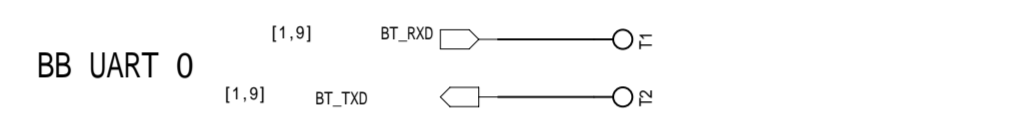
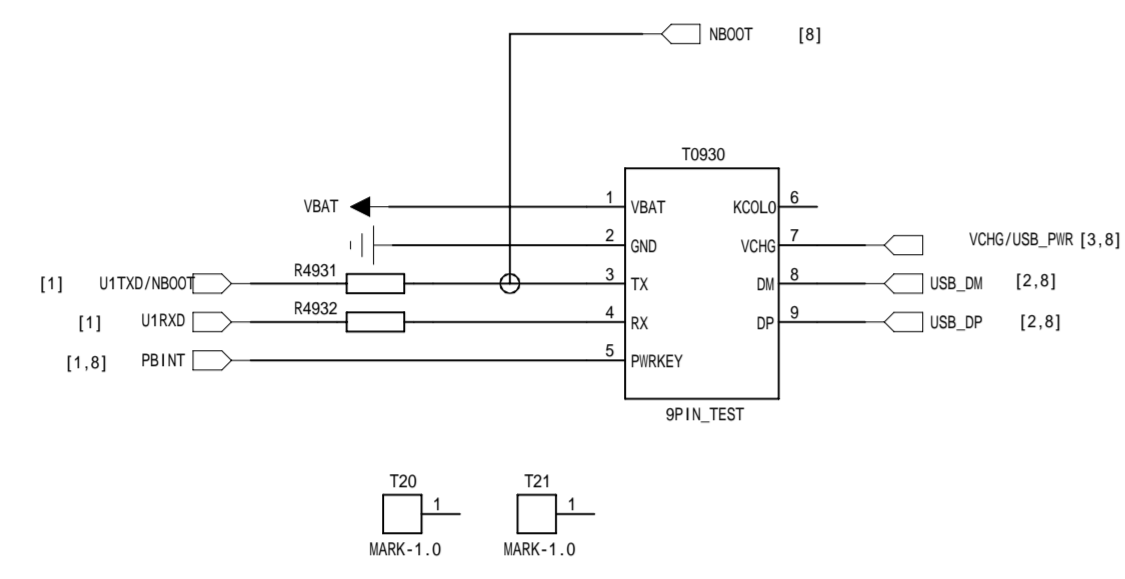
REVISION RECORD			
LTN	ECO NO.	APPROVED	DATE



DRAWN: <Drawn By>		DATE: <Drawn Date>		CHECKED: <Checked By>		DATE: <Checked Date>		CODE: <Code>		SIZE: A0		DRAWING NO: <Drawing Number>		REV: <Revision>	
QUALITY CONTROL: <QC By>		DATE: <QC Date>		RELEASED: <Released By>		DATE: <Release Date>		SCALE: <Scale>		SHEET: 7 OF 12		TITLE: <Title>			

REVISION RECORD			
LTR	ECO NO.	APPROVED:	DATE:

### Test Points

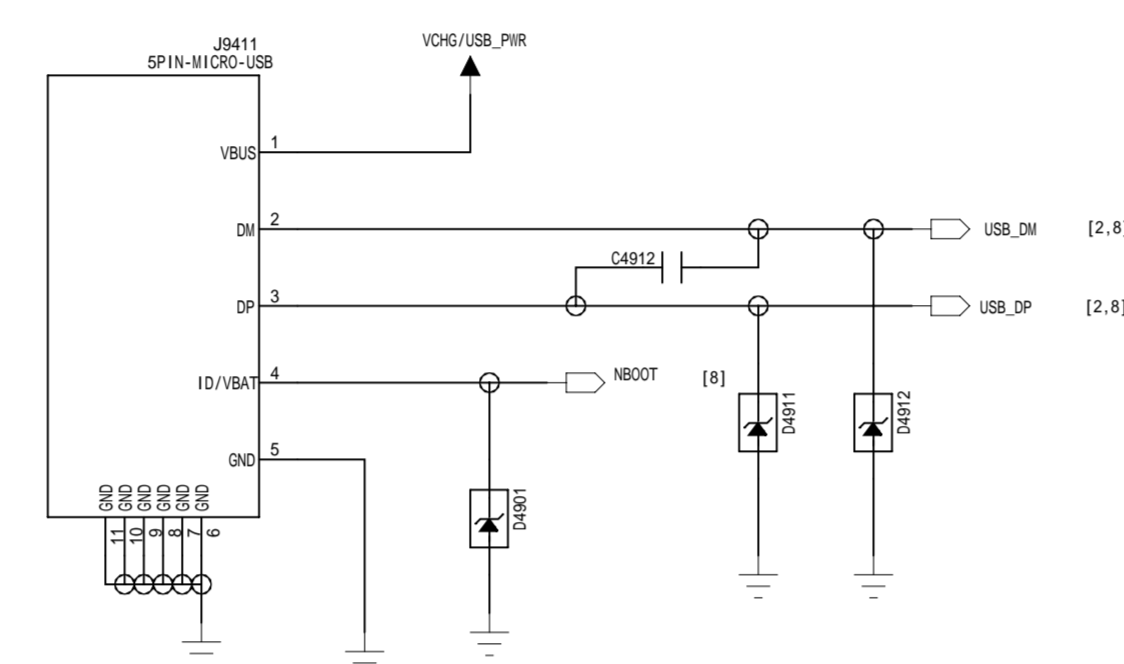


### USB

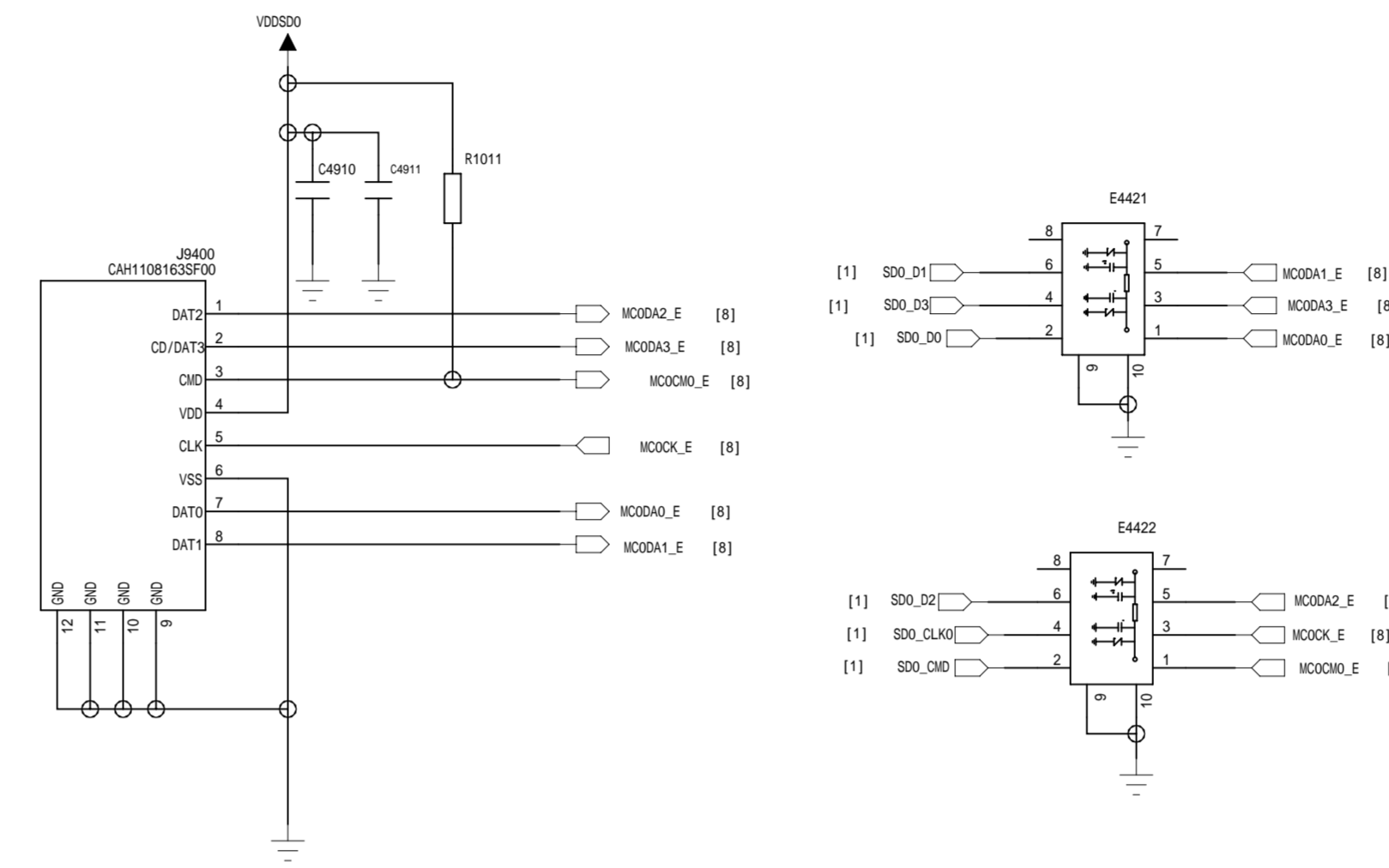
USB BOOT CONTROL

NBOOT = Float---->NAND BOOT

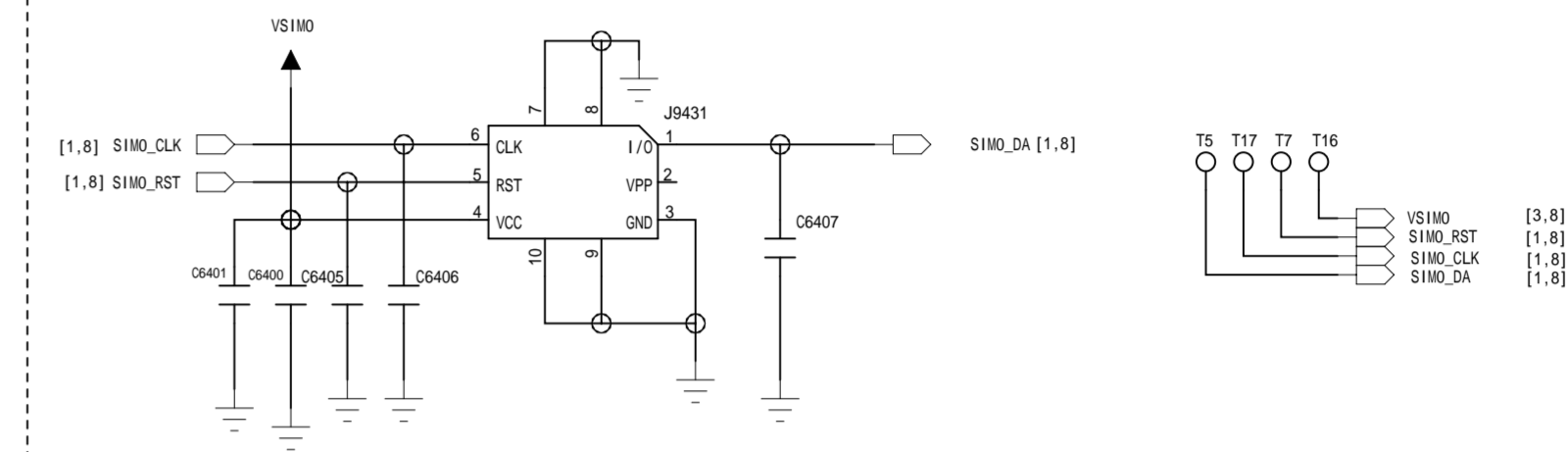
NBOOT = 0 ----->USB BOOT



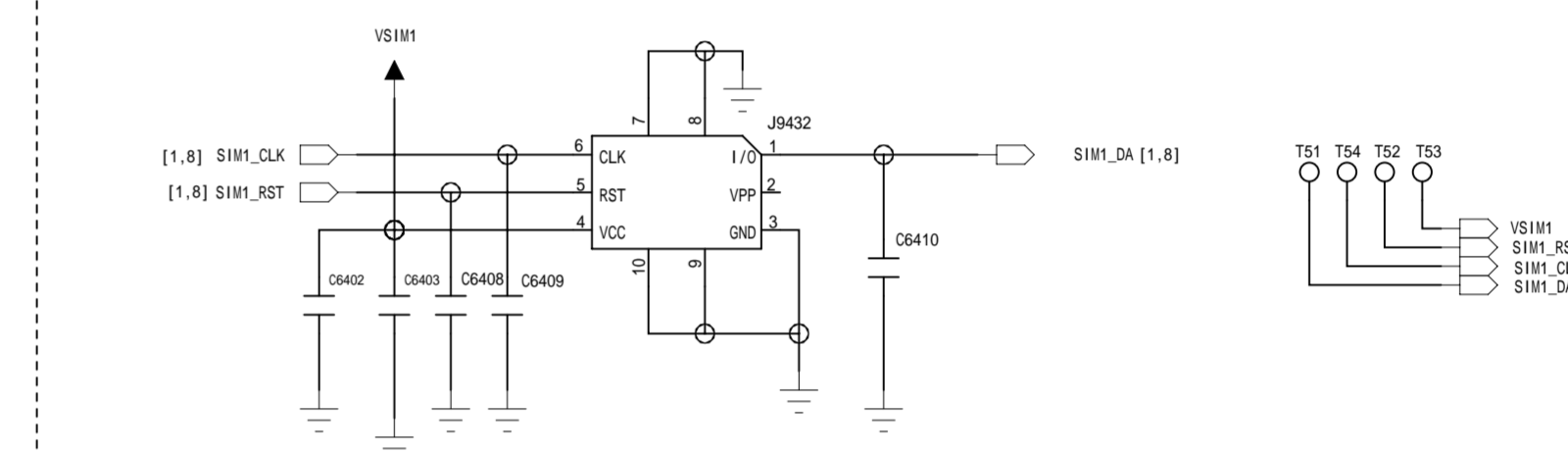
### T\_Flash



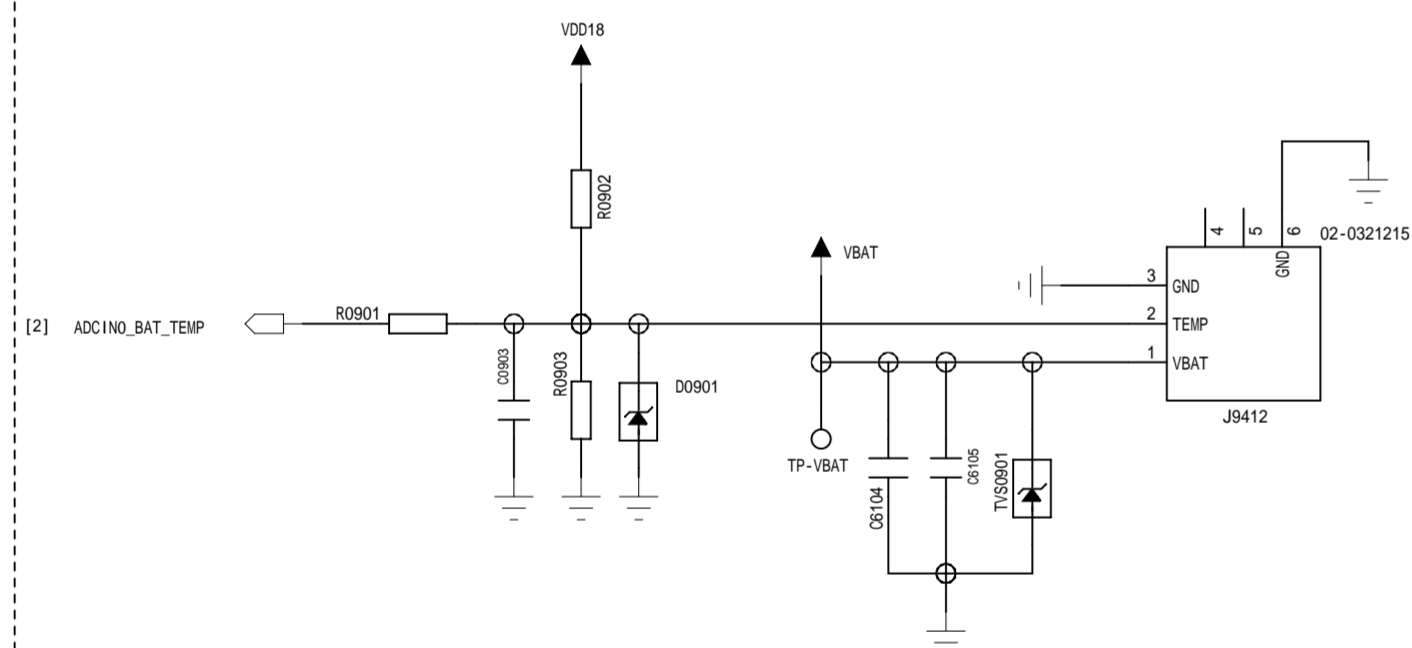
### SIM0



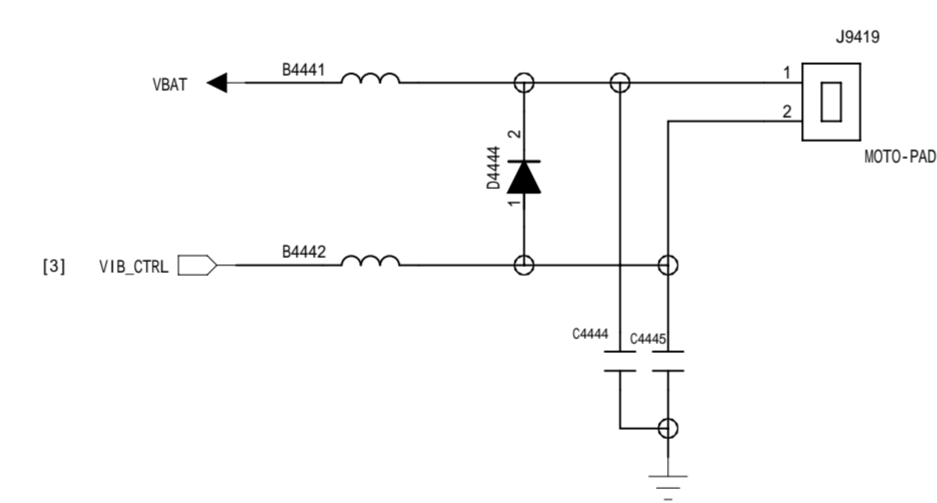
### SIM1



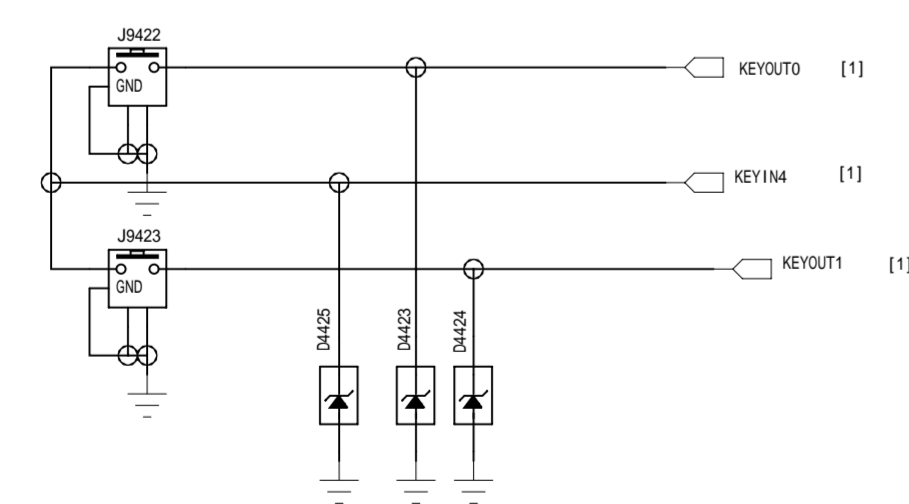
### BATTERY



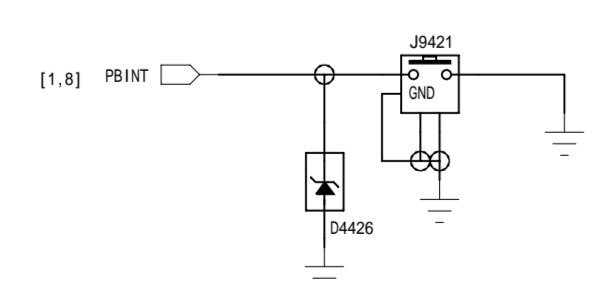
### VIBRATOR



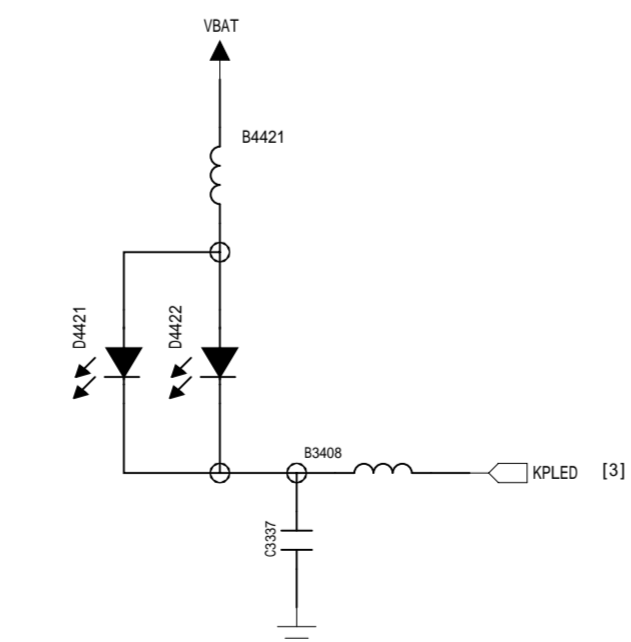
### KEY



Press KEYIN0+KEYOUT0 when power up will make the phone boot from USB



### Key LED

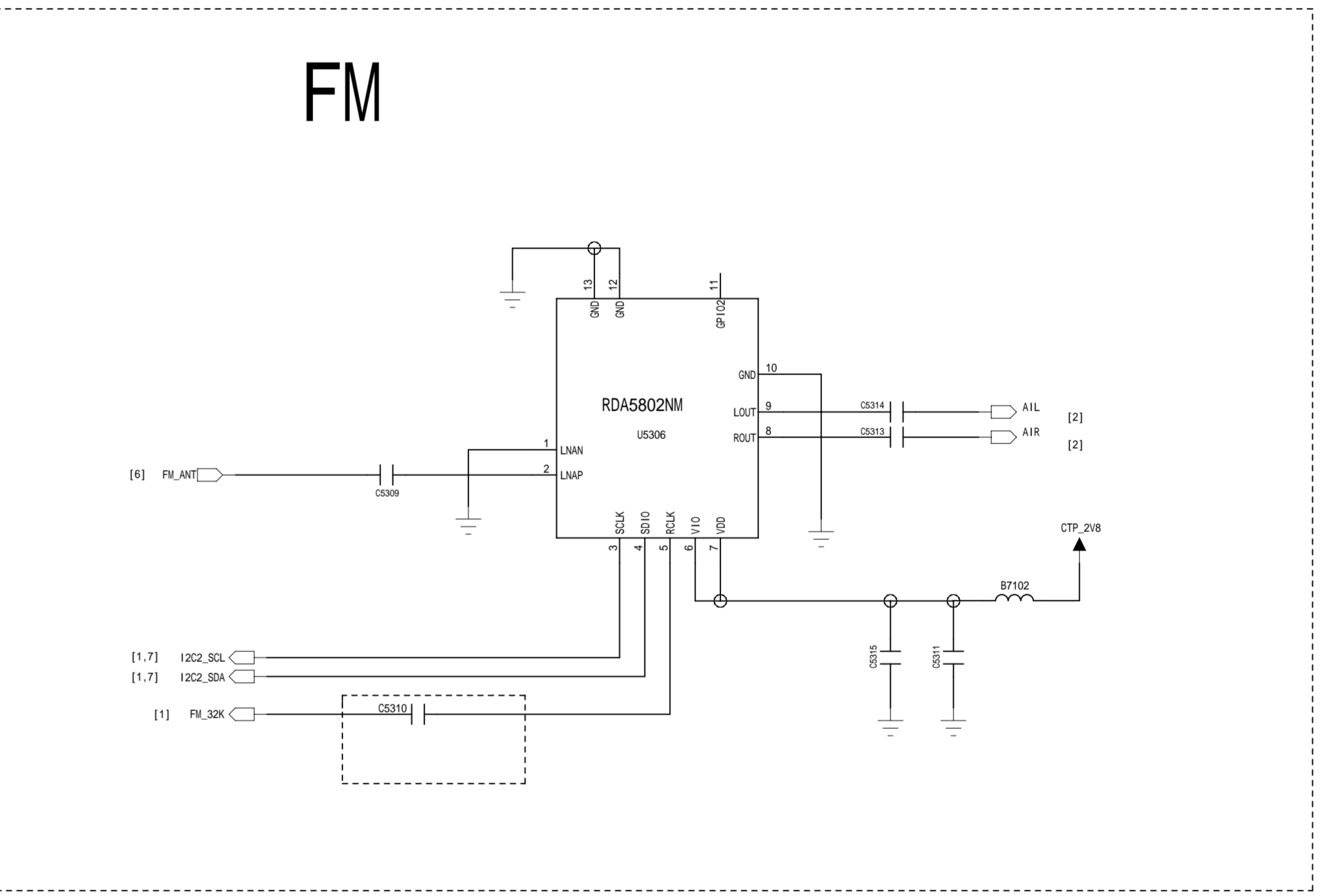
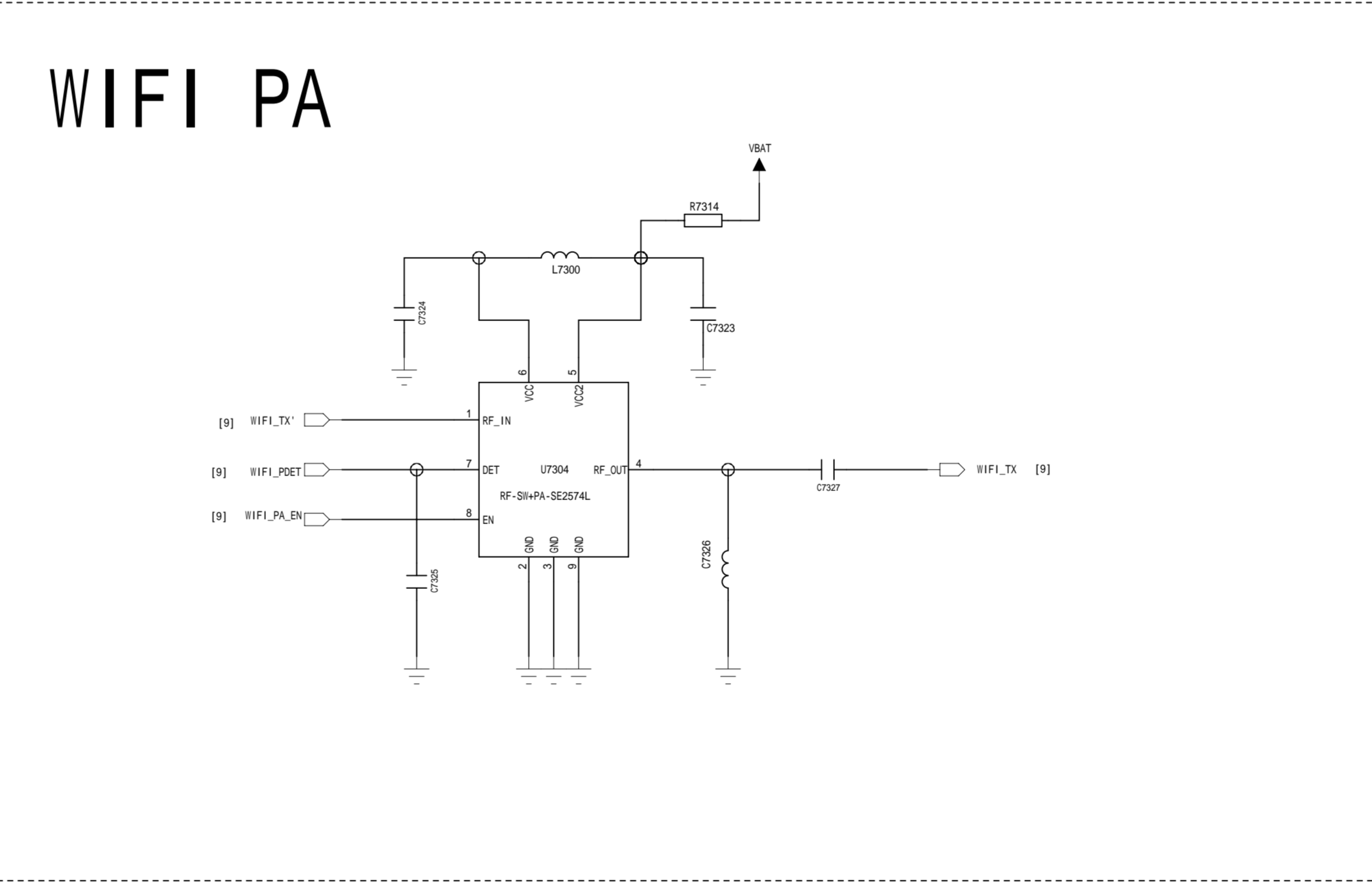
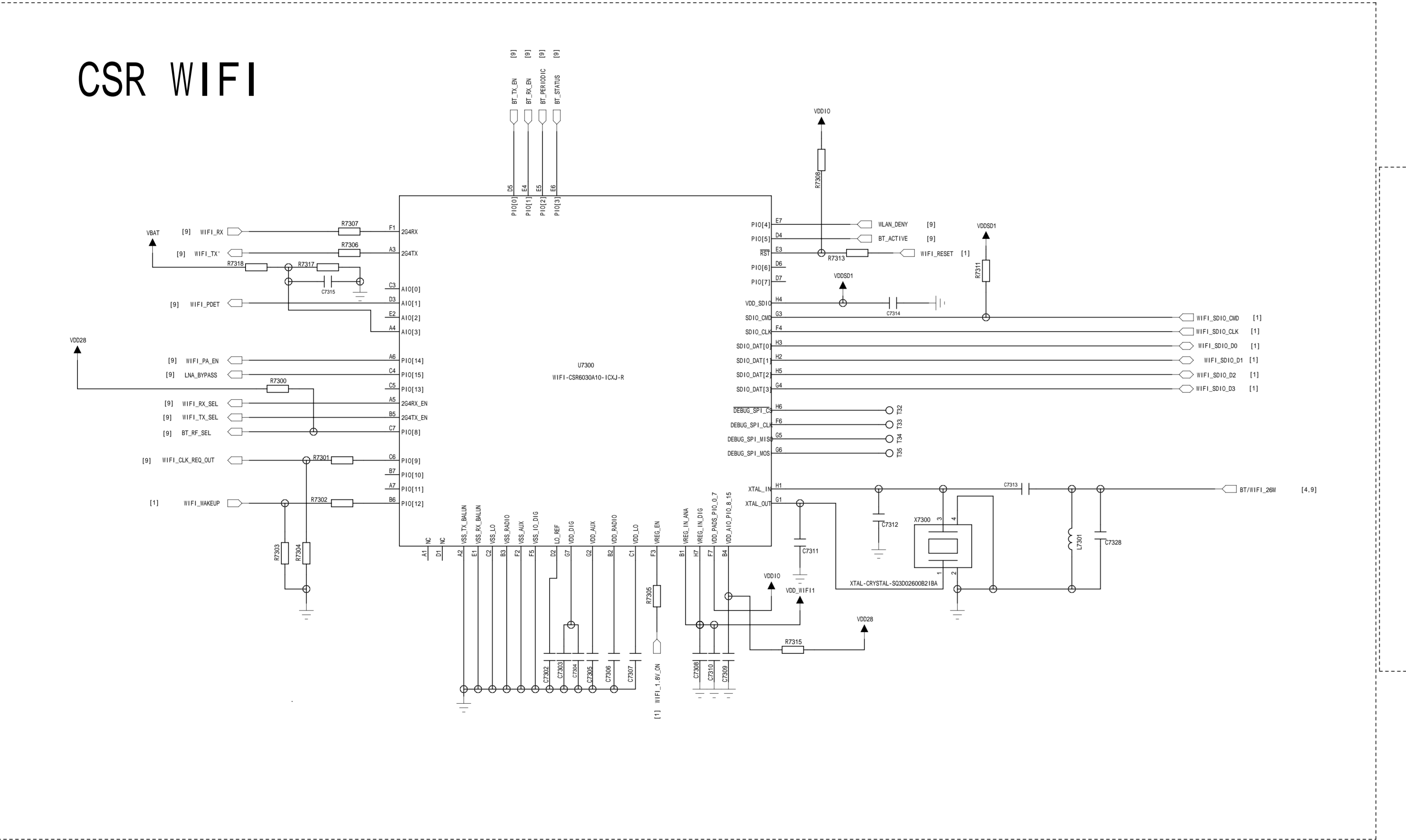
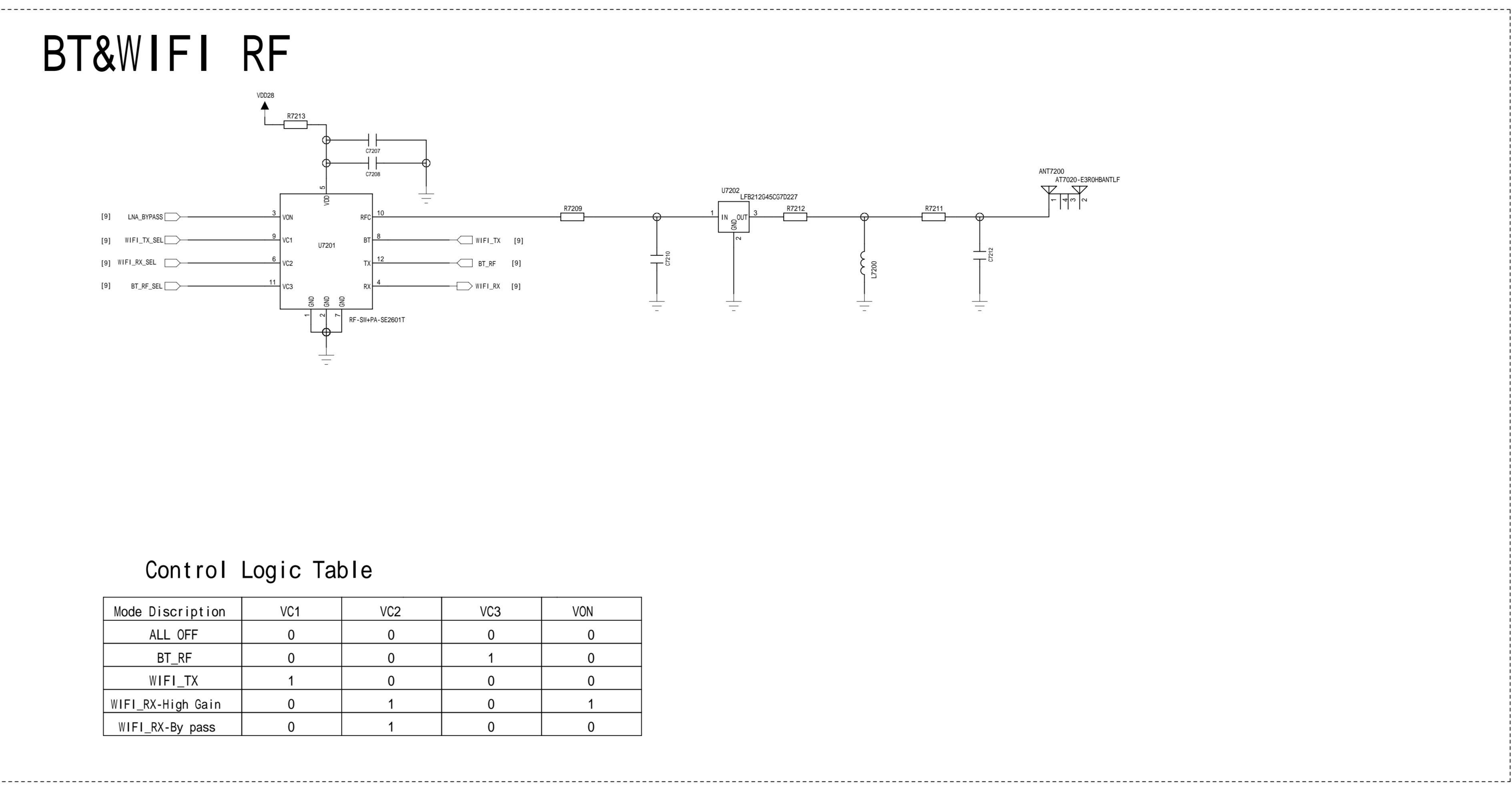
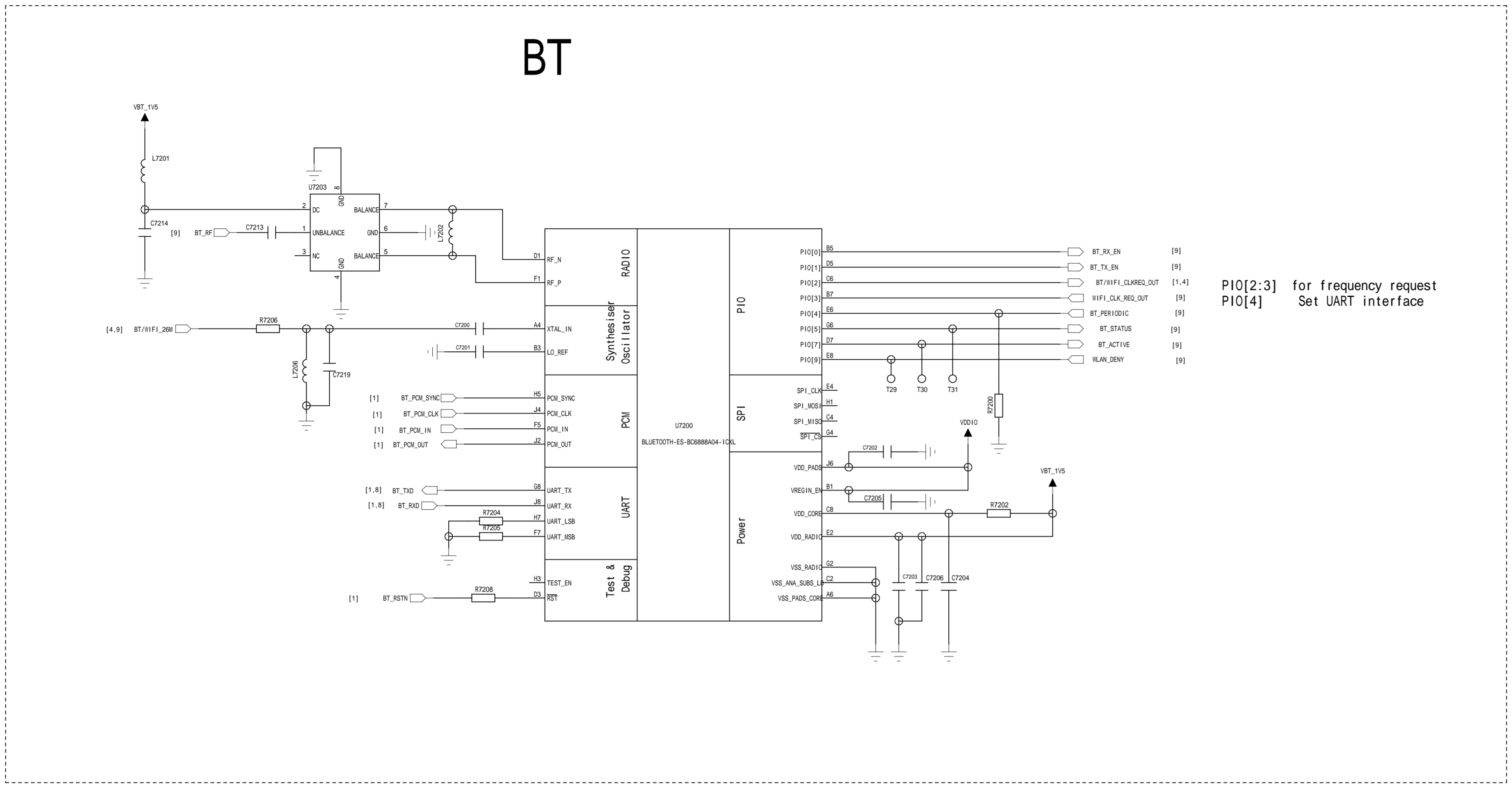


TITLE & KEY: SP8810-1\_SCH\_V1.1.0

DOCUMENT NO.:

DESIGNER: Vincent.Pan	DATE: 2011-11-10	DEPARTMENT: Hardware DEPT.
SGA: Qingsong.Xia	DATE: 2011-11-10	COMPANY: Spreadtrum communications, Inc.
APPROVED: Gang.Xu	DATE: 2011-11-10	CONFIDENTIAL AND PROPRIETARY

REVISION RECORD			
LPR	ECO NO.	APPROVED	DATE

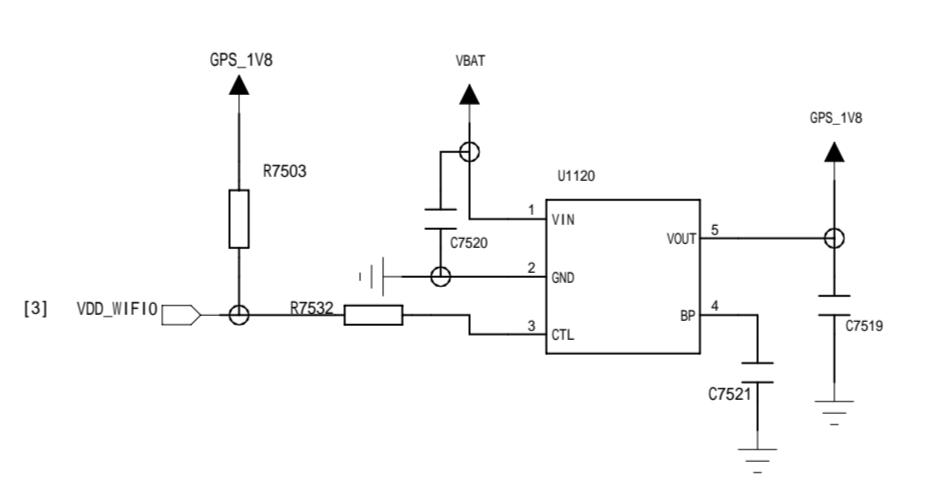
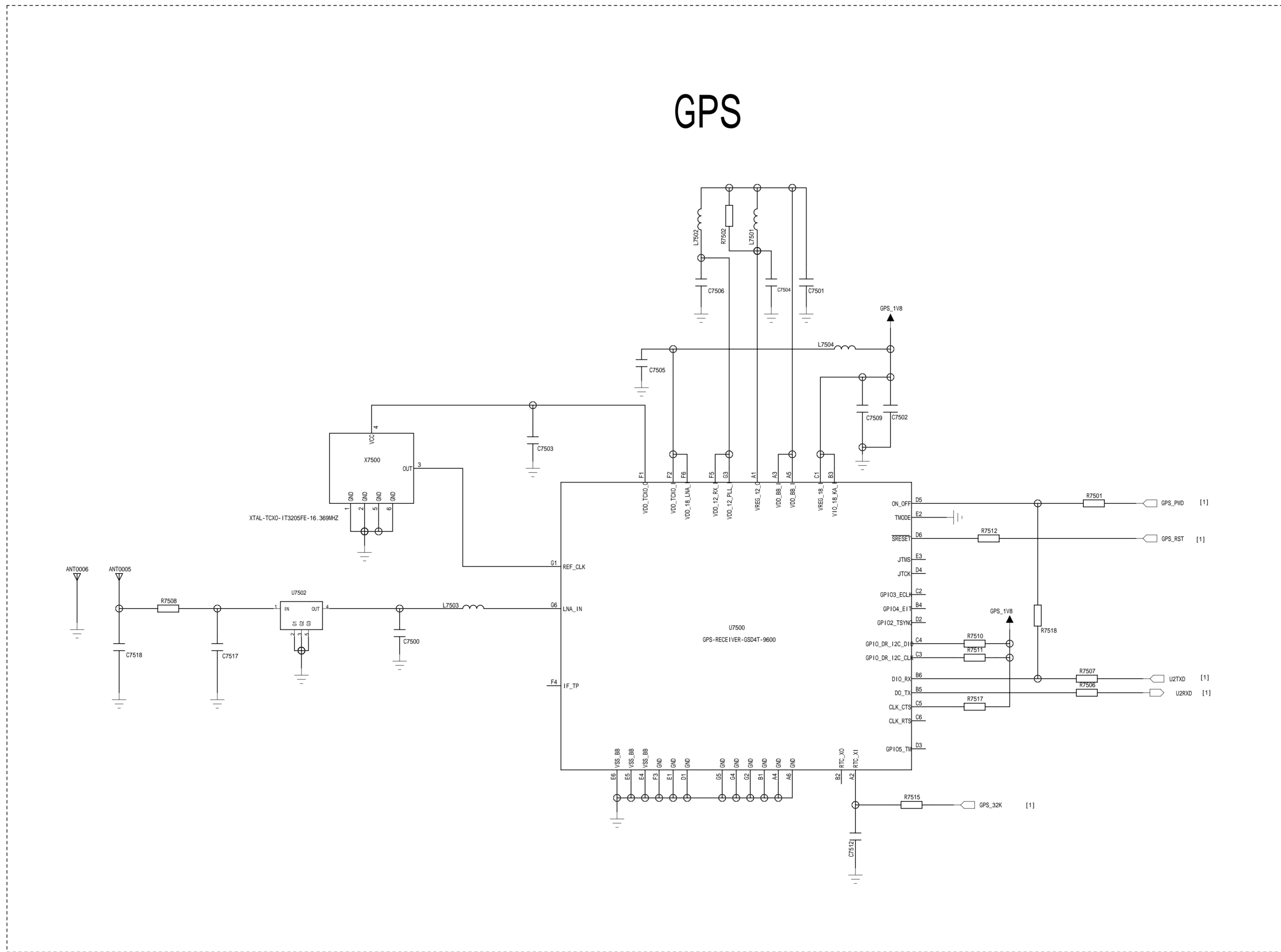


TITLE & REV: SP8810-1\_SCH\_V1.1.0

DOCUMENT NO.:

DESIGNER: Vincent.Pan	DATE: 2011-11-10	DEPARTMENT: Hardware DEPT.
CHK: Qingsong.Xia	DATE: 2011-11-10	COMPANY: Spreadtrum communications, Inc.
APPROVED: Gang.Xu	DATE: 2011-11-10	CONFIDENTIAL AND PROPRIETARY

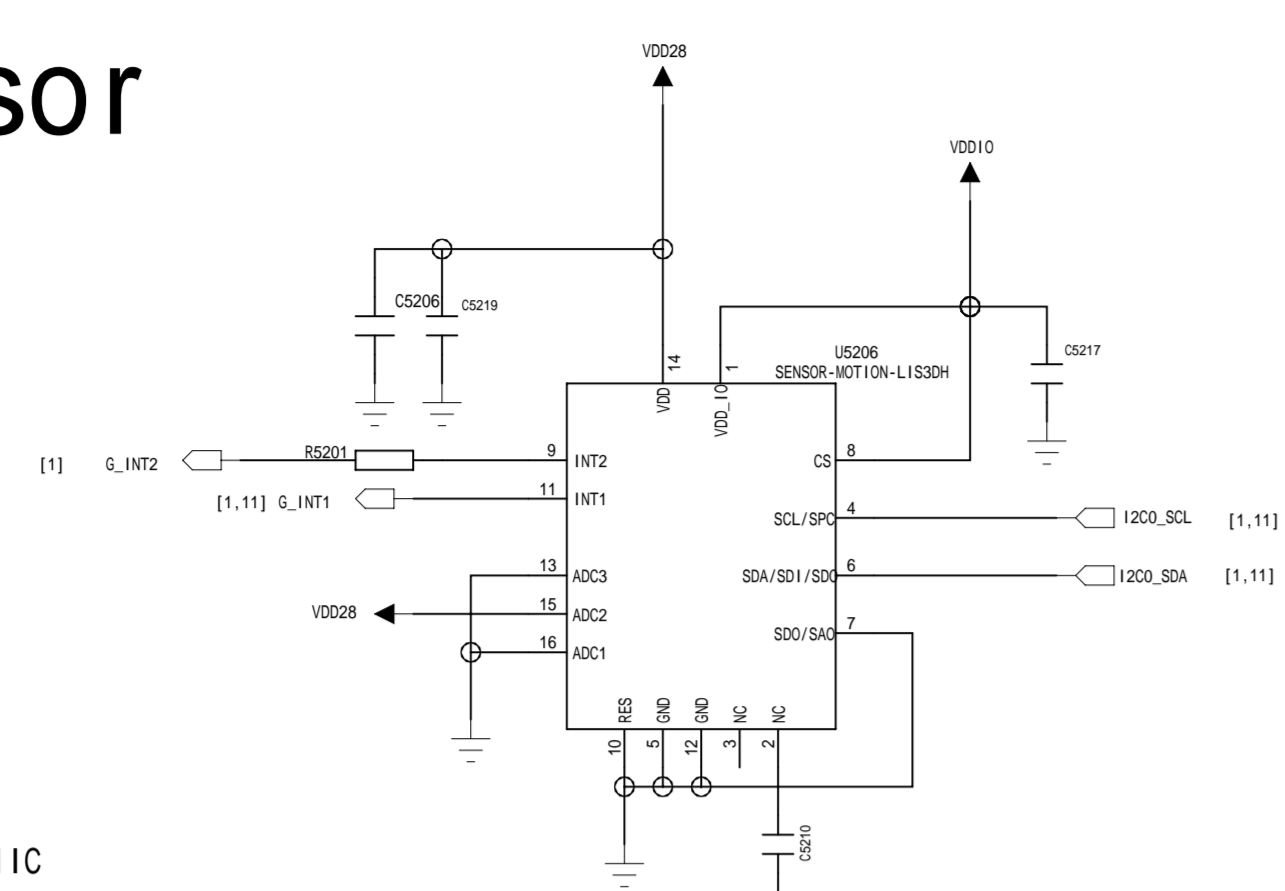
REVISION RECORD			
LTN	ECO NO.	APPROVED	DATE



DRAWN: <Drawn By>		DATE: <Drawn Date>		COMPANY: <Company Name>	
CHECKED: <Checked By>		DATE: <Checked Date>		TITLE: <Title>	
QUALITY CONTROL:	<QC By>	DATE:	<QC Date>	CODE:	<Code>
RELEASED:	<Released By>	DATE:	<Release Date>	SIZE:	A0
SCALE: <Scale>			DRAWING NO: <Drawing Number>		REV: <Revision>
SHEET: 10					12

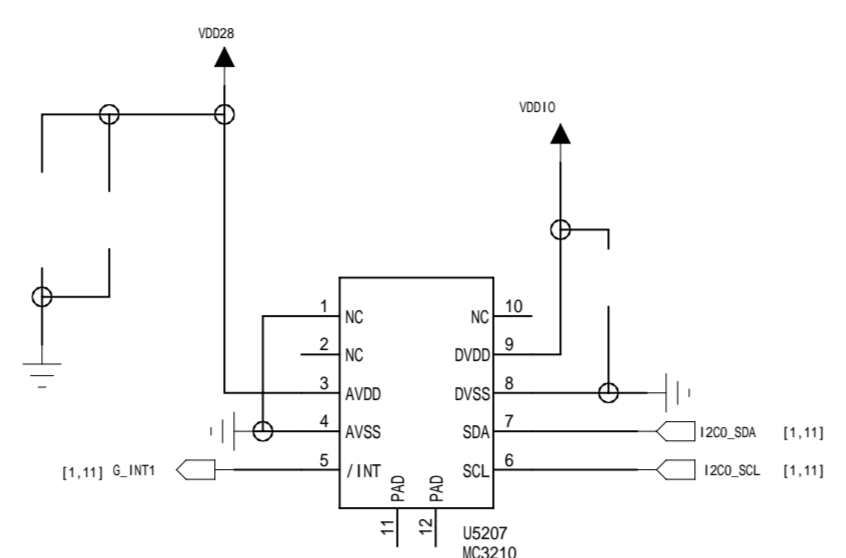
REVISION RECORD			
LT#	ECO NO.	APPROVED	DATE

## G Sensor



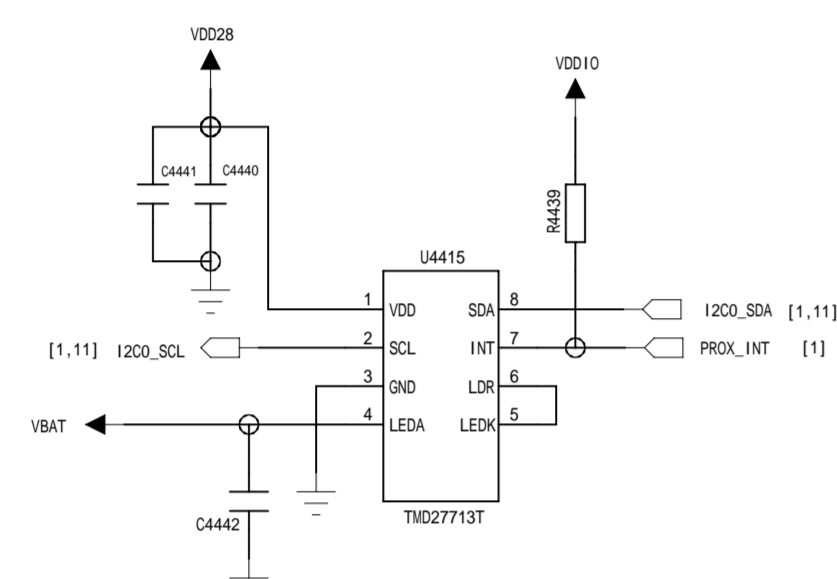
CS=1: IIC  
 SAA=0: IIC ADDRSS is 0x18H  
 power down(communicating), I = 0.5uA

## G\_sonsor



14bit I2C Address 4C  
 8bit I2C Address 98

## ALS&PS



DRAWN: <Drawn By>		DATE: <Drawn Date>		COMPANY: <Company Name>			
CHECKED: <Checked By>		DATE: <Checked Date>		TITLE: <Title>			
QUALITY CONTROL: <QC By>		DATE: <QC Date>		CODE: <Code>	SIZE: A0	DRAWING NO: <Drawing Number>	REV: <Revision>
RELEASED: <Released By>		DATE: <Release Date>		SCALE: <Scale>		SHEET: 11 of 12	

