

GSM/GPRS Wireless Main Board

MX7970 VERSION 0.5

SHEET DESCRIPTION

- PAGE 0 - COVER SHEET
- PAGE 1 - Baseband (CPU)
- PAGE 2 - Camera/ Comb Flash&Memory 128K
- PAGE 3 - FLIP/LCD/Keypads/Mic/Speaker
- PAGE 4 - RF
- PAGE 5 - Power/SIM/Cradle
- PAGE 6 - TEST Point /Multi-Ice

REFERENCE DESIGNATOR DESCRIPTION:

LAST TWO DIGITS INDICATE REFERENCE DESIGNATOR NUMBER.

FIRST ONE OR TWO DIGITS INDICATE SHEET NUMBER.




LETTER INDICATES COMPONENT TYPE.

- C,BC - CAPACITOR
- CT - TANTALUM CAPACITOR
- R - RESISTOR
- U - ACTIVE COMPONENT
- J,CON - CONNECTOR
- L - INDUCTOR
- F - FERRITE BEAD
- V - VOLTAGE REGULATOR
- Y - CRYSTAL
- Q - Transistor , FET
- D,ZD - DIODE
- LED - LED
- SW - Switch
- VCO - VCO
- RP - RESISTOR PACK
- M - VIBRATOR
- TP - TEST POINT (SMD)
- SPK - SPARK GAP (PAD ONLY)

CONTROL STATUS DEFINITION:

PRELIMINARY - THIS DESIGN HAS NOT BEEN BUILT OR TESTED. SIGNIFICANT DEVELOPMENT EFFORT MAY STILL BE REQUIRED.

- 1 ,VER 0.01 START PROJECT
- 2 ,VER 0.02 CHANG 7950BASE (NOVEMBER ,04)
- 3 ,VER 0.03 CHANG PARTS 7950BASE JOB FILE (NOVEMBER ,07)
- 4 ,VER 0.04 CHANG MV307 TO MV315 (NOVEMBER ,08)
- 5 ,VER 0.05 CHECK 7950PP SCHEMATIC UPDATE (NOVEMBER ,12)
- 6 ,VER 0.06 CHANGE MV315 TO MV307 (NOVEMBER ,14)
- 7 ,VER 0.07 CHECK SCHEMATIC UPDATE(DECEMBER ,04)
- 8 ,VER 0.08 CHANGE CAM, MV307 POWER 분리 (DECEMBER ,06)
- 9 ,VER 0.1 CHANGE FLASH PHYSICAL ADDRESS(DECEMBER ,09)
- 10 ,VER 0.2 CHANGE CAMERA SENSOR PIN (DECEMBER , 26)
ADDRESS23 CONTROL LOGIC 추가
- 11 ,VER 0.2 CHANGE CAM, MV317S(JAN. 13, '03)
- 12 ,VER 0.21 CHANGE EAR JACK 변경(JAN. 13, '03)
- 13 ,VER 0.21 RF용 LDO 변경(JAN. 13, '03)
- 14 ,VER 0.3 EAR JACK 핀 변경 및 C101을 R로 변경(FEB. 7, '03)
- 15 ,VER 0.3 PAGE 6 삭제(FEB. 7, '03)
- 16 ,VER 0.3 D201,D202,D203,D204 삽입(ESD 때문에)(FEB.20.'03)
- 17 ,VER 0.4 Test Point 삽입(Page 6)

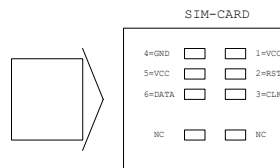
-  CLK_LINE When a route more wide than normal line and near the part
-  RF_LINE When a route match to 50 ohm
-  AUDIO_LINE When a route more wide than normal line.

42.4mm

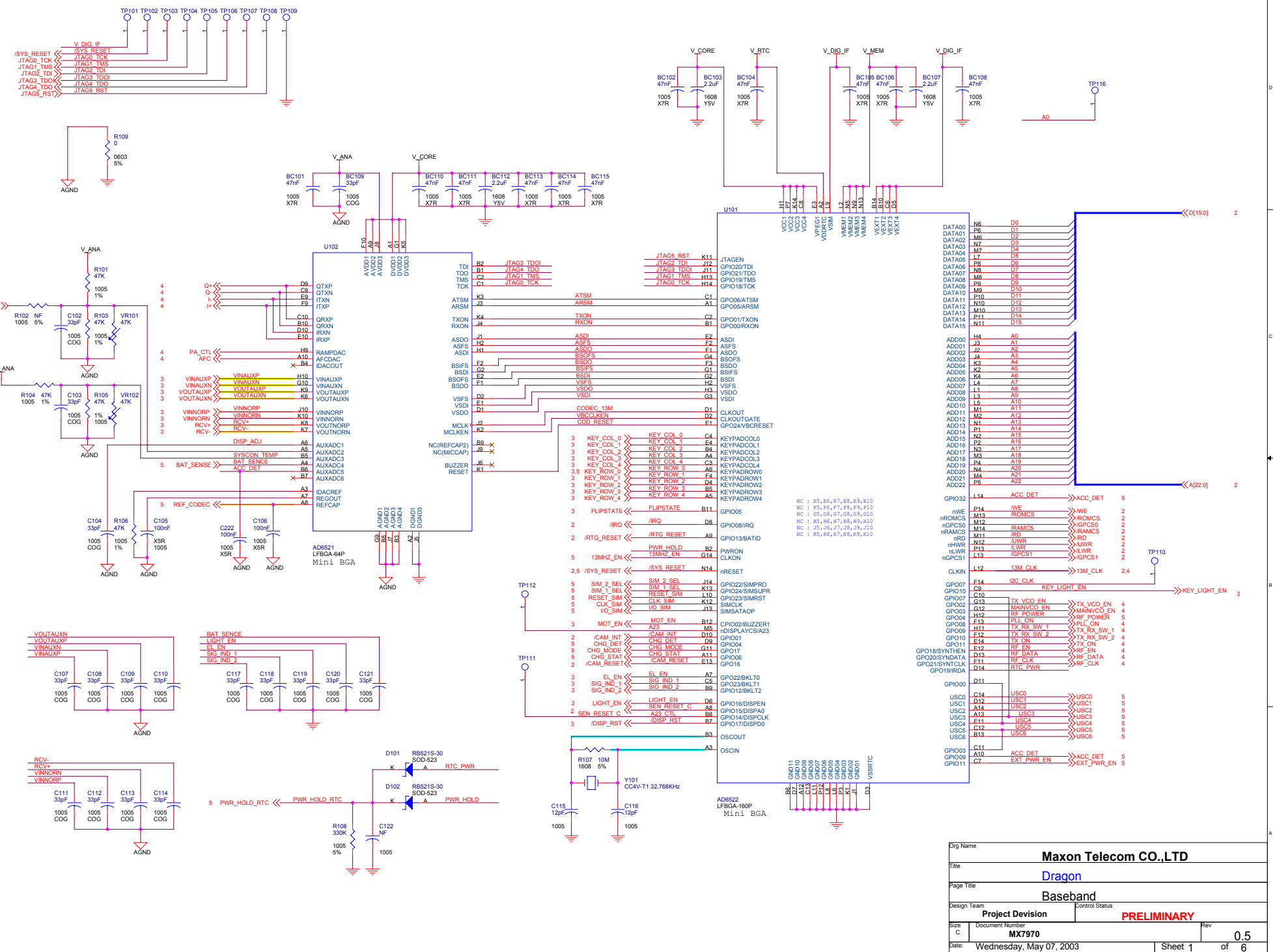
79.7mm



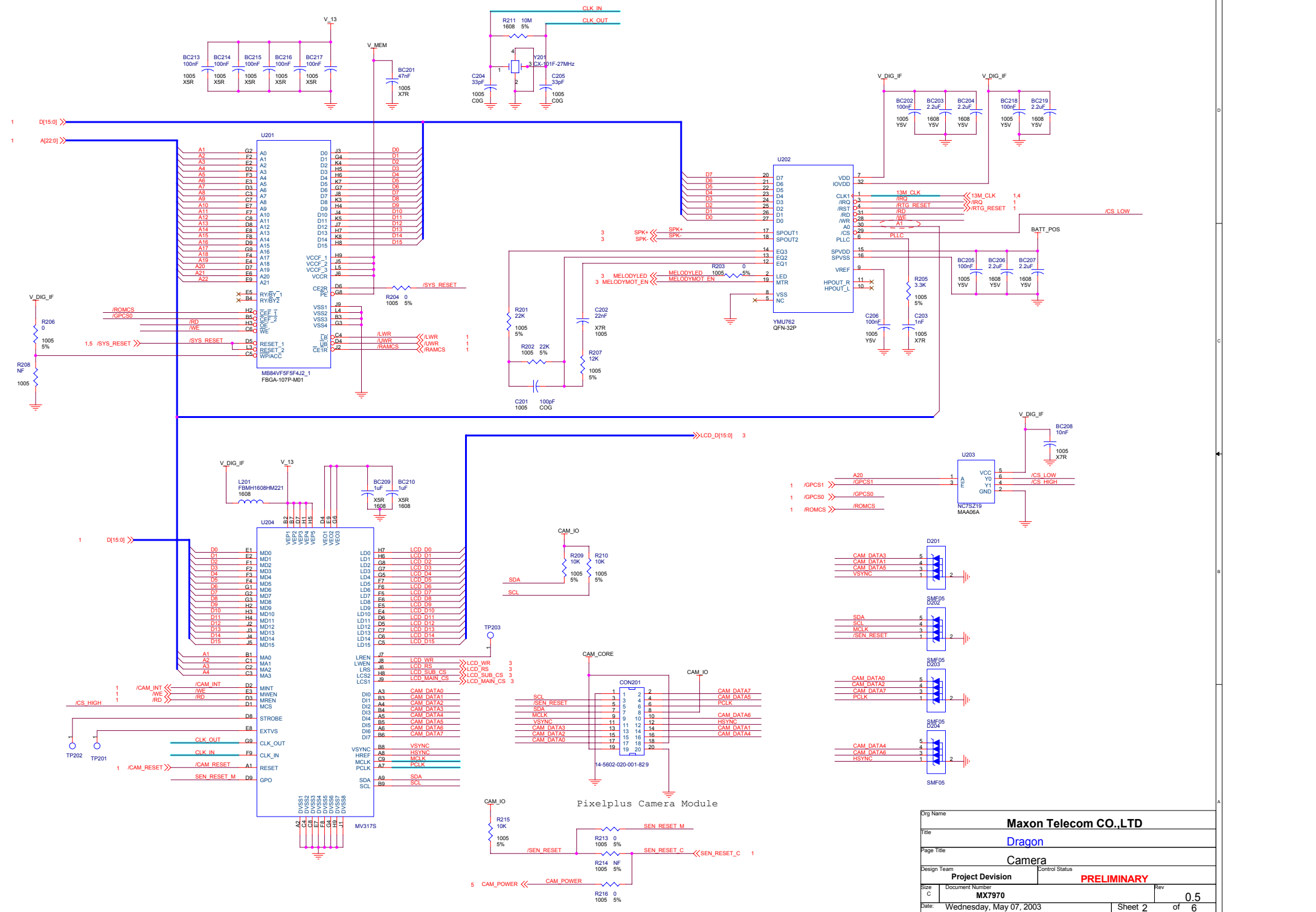
MAIN-PCB



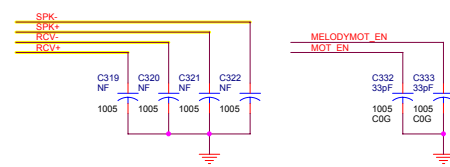
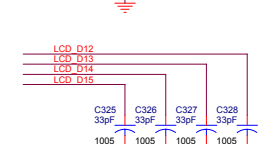
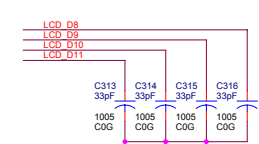
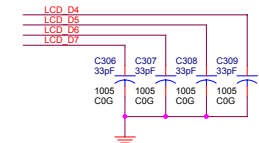
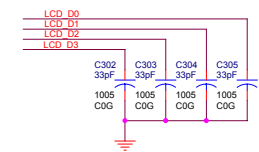
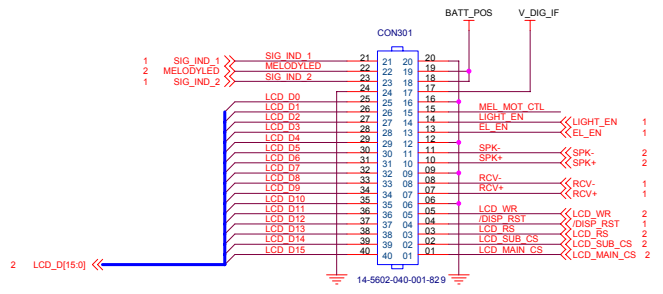
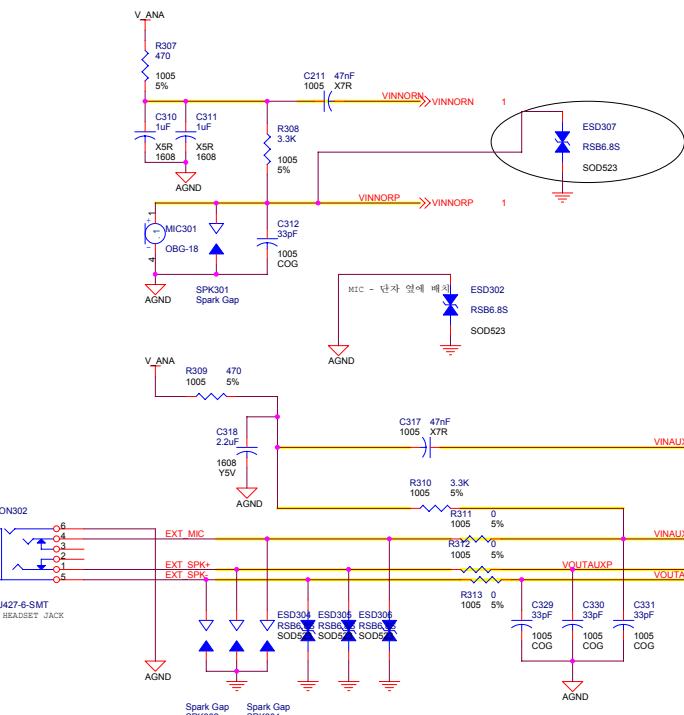
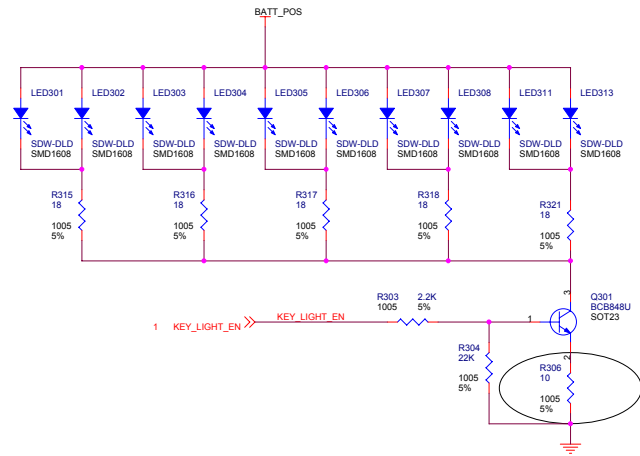
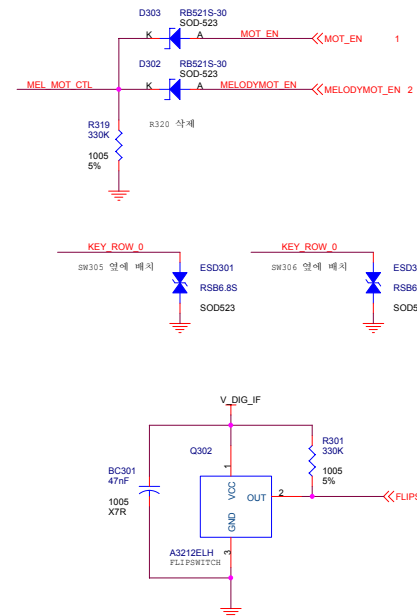
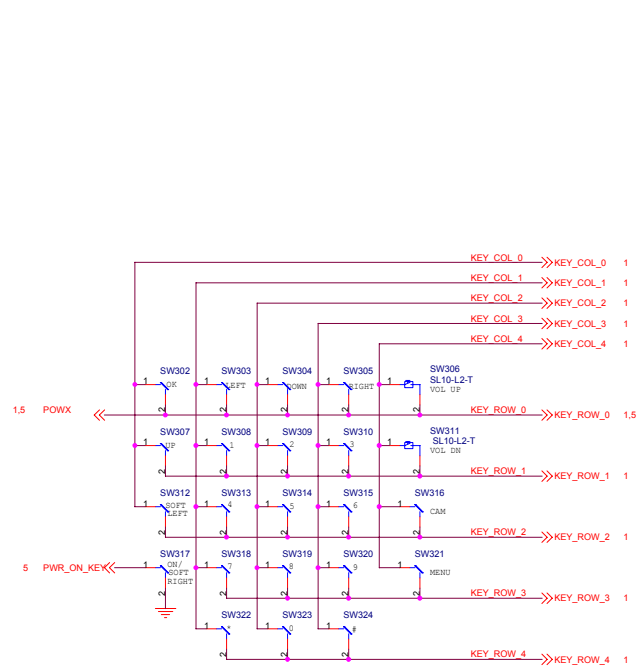
Org Name		Maxon Telecom CO.,LTD	
Title		Dragon	
Page Title		Cover Sheet	
Design Team	Project Devison	Control Status	PRELIMINARY
Size	Document Number	Rev	0.5
C	MX7970		
Date:	Wednesday, May 07, 2003	Sheet 1	of 1



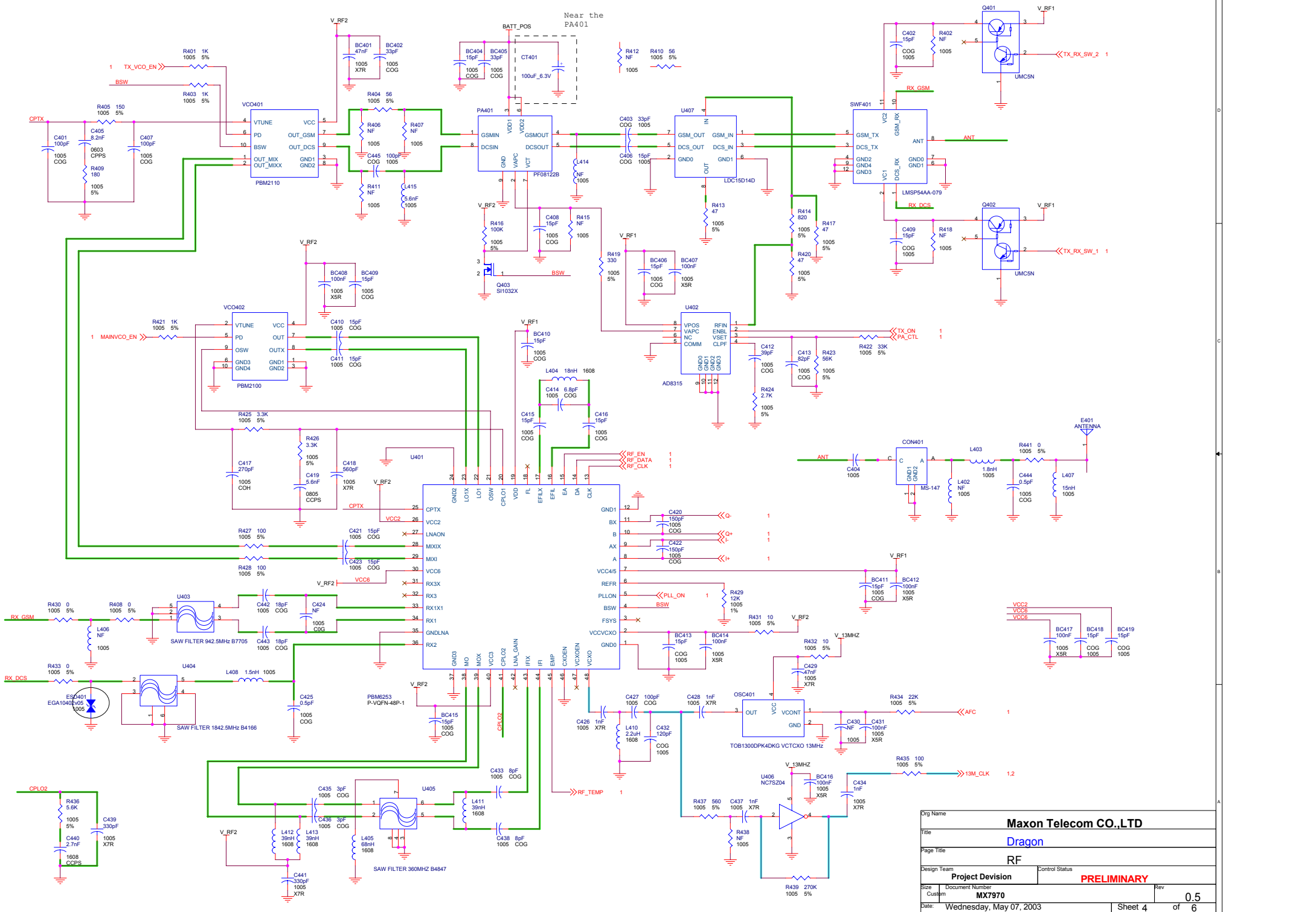
Org Name		Maxon Telecom CO.,LTD	
Title		Dragon	
Page Title		Baseband	
Design Team	Project Devison	Control Status	PRELIMINARY
Size C	Document Number	Rev	0.5
Date: Wednesday, May 07, 2003		Sheet 1	of 6



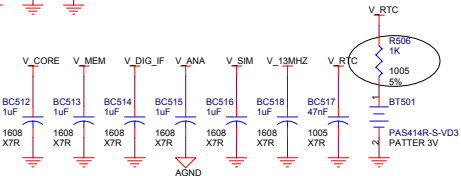
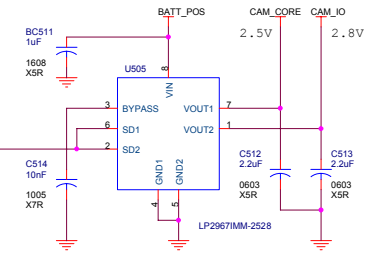
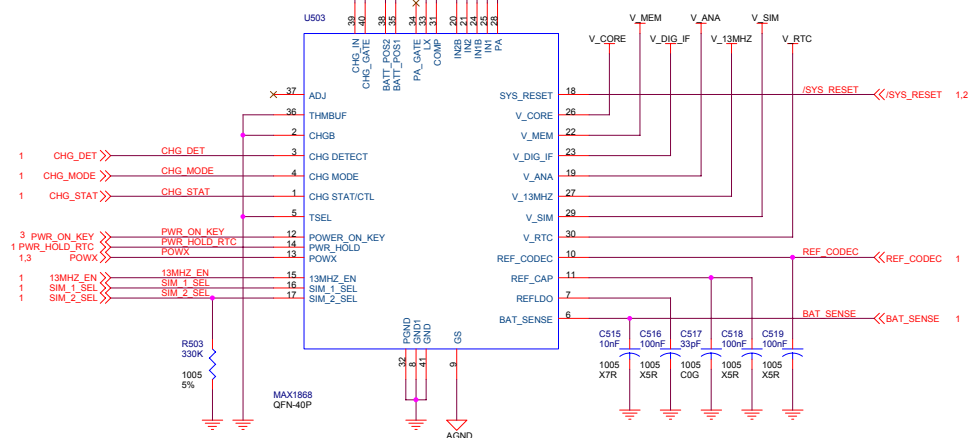
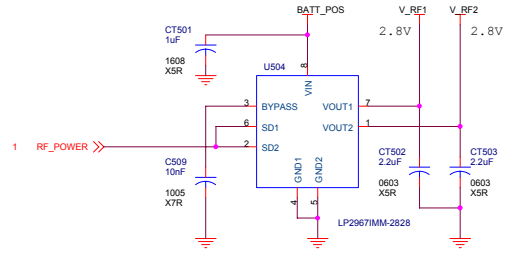
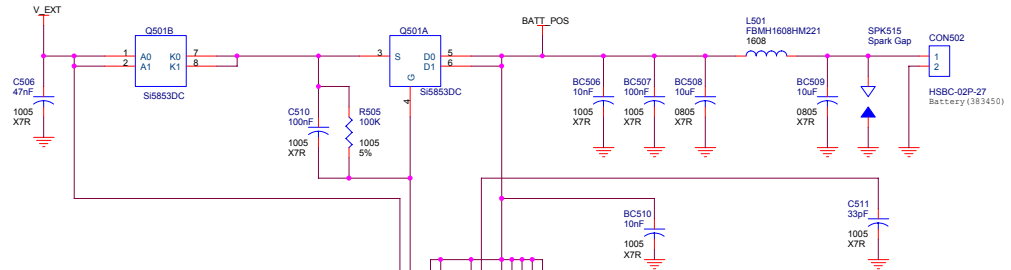
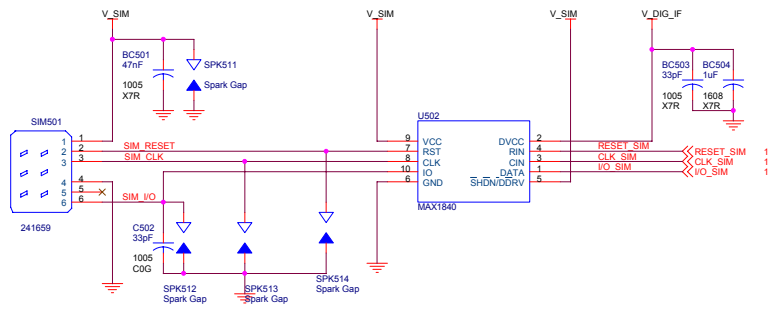
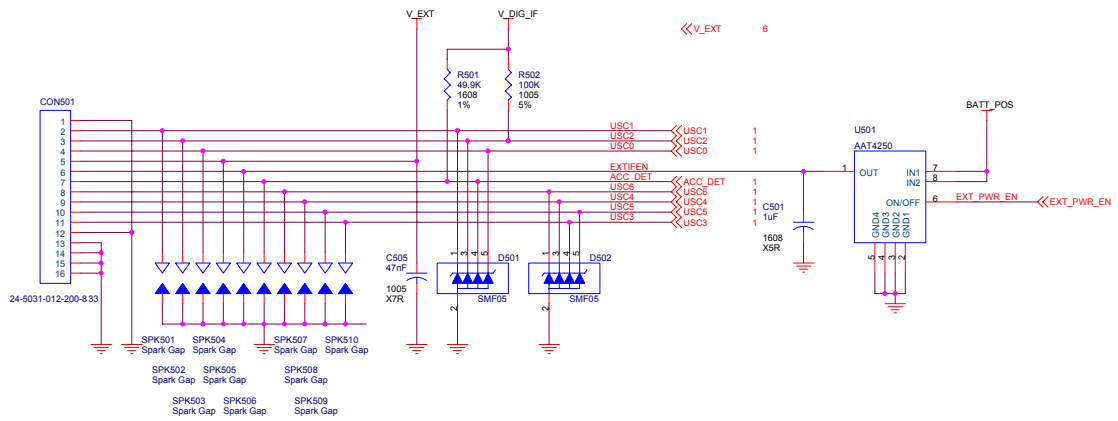
Org Name	Maxon Telecom CO.,LTD		
Title	Dragon		
Page Title	Camera		
Design Team	Project Devision	Control Status	PRELIMINARY
Size C	Document Number	Rev	0.5
Date:	Wednesday, May 07, 2003	Sheet 2	of 6



Org Name	Maxon Telecom CO.,LTD		
Title	Dragon		
Page Title	Flip/LCD/Keypads/Mic/Speaker		
Design Team	Project Devison	Control Status	PRELIMINARY
Size C	Document Number	Rev	0.5
Date:	Wednesday, May 07, 2003		Sheet 3 of 6

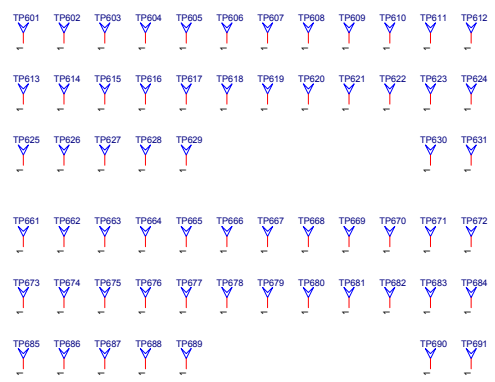
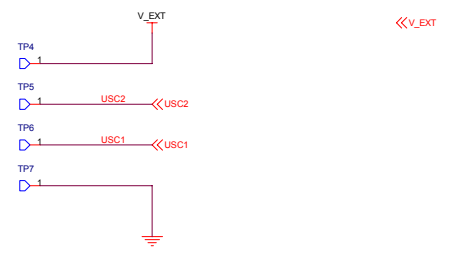
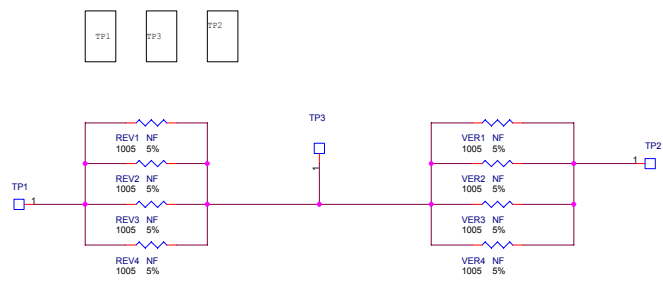


Org Name		Maxon Telecom CO.,LTD	
Title		Dragon	
Page Title		RF	
Design Team	Project Devison	Control Status	PRELIMINARY
Size	Document Number	Rev	0.5
Customer	MX7970		
Date:	Wednesday, May 07, 2003	Sheet 4	of 6

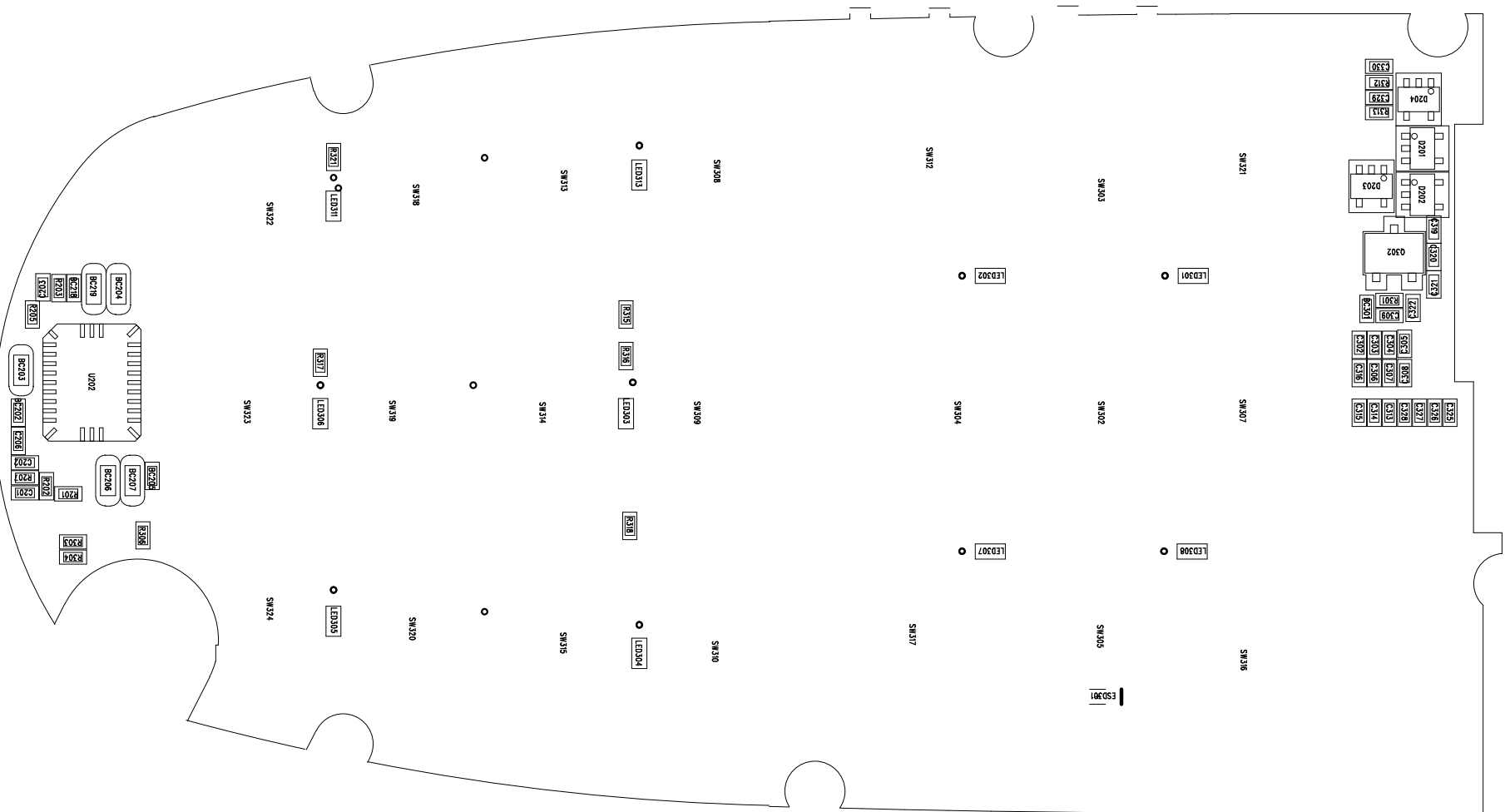


V_SIM:1.8V/3V 10mA V_CORE:2.45V 100mA
 V_13M:2.765V 5mA V_13M:2.76V 100mA
 V_RTC:2.45V 100uA/10mA V_DIG_IF:2.765V 60mA
 V_ANA:2.45V 300mA

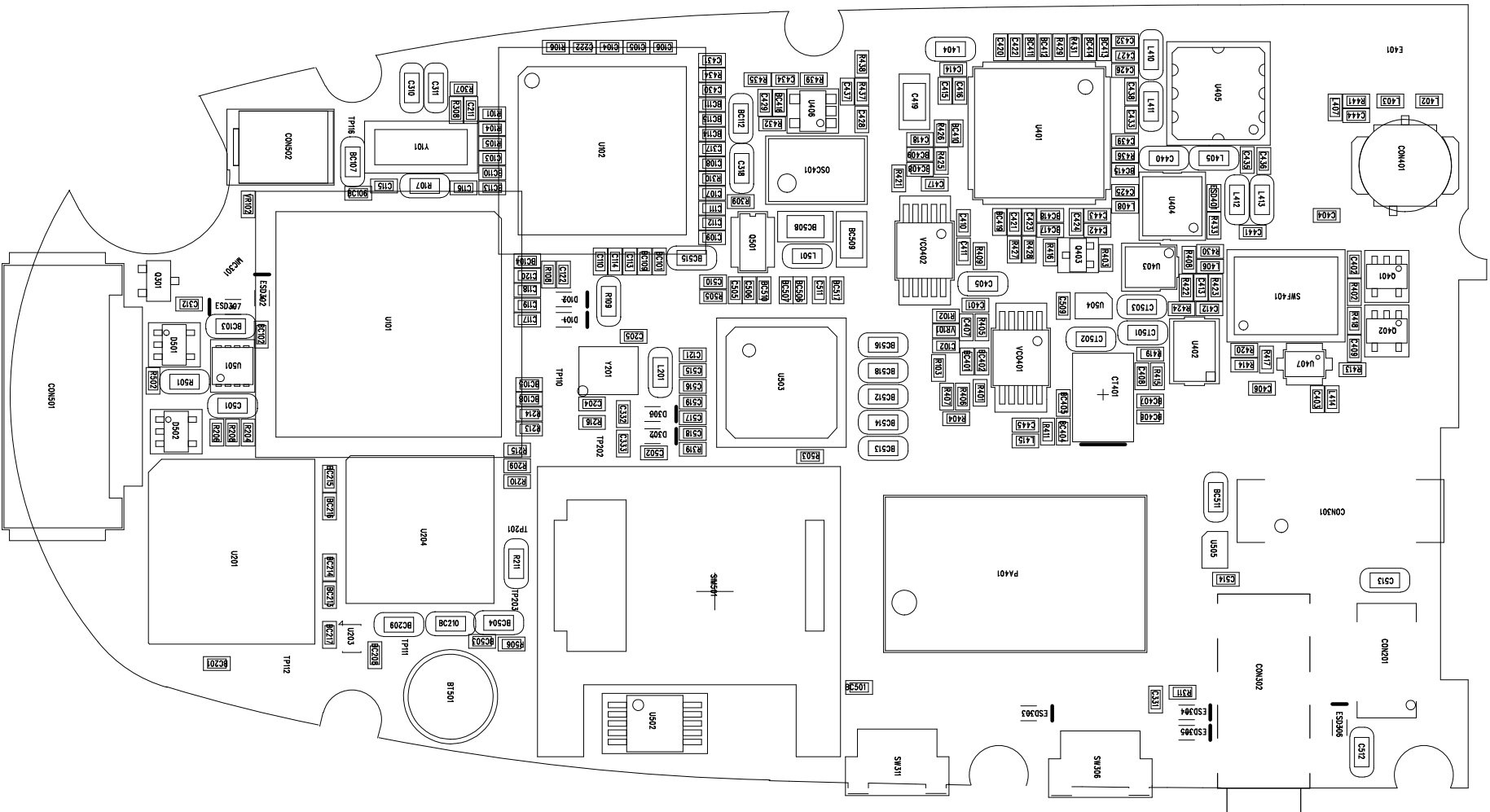
Org Name	Maxon Telecom CO.,LTD		
Title	Dragon		
Page Title	Power/SIM		
Design Team	Project Devison	Control Status	PRELIMINARY
Size	Document Number	Rev	
C	MX7970		0.5
Date:	Wednesday, May 07, 2003	Sheet 5	of 6



Org Name		Maxon Telecom CO.,LTD	
Title		Dragon	
Page Title		Power/SIM	
Design Team		Control Status	
Project Devision		PRELIMINARY	
Size	Document Number	Rev	
C	MX7970	0.4	
Date: Wednesday, May 07, 2003		Sheet 6	of 6



- VF11
- VF12
- VF13
- VF14
- TP2
- SD1
- LD1
- BC11
- BC12
- BC13



MX_7970_V0.5_0507.pcb - Wed May 07 15:00:54 2003