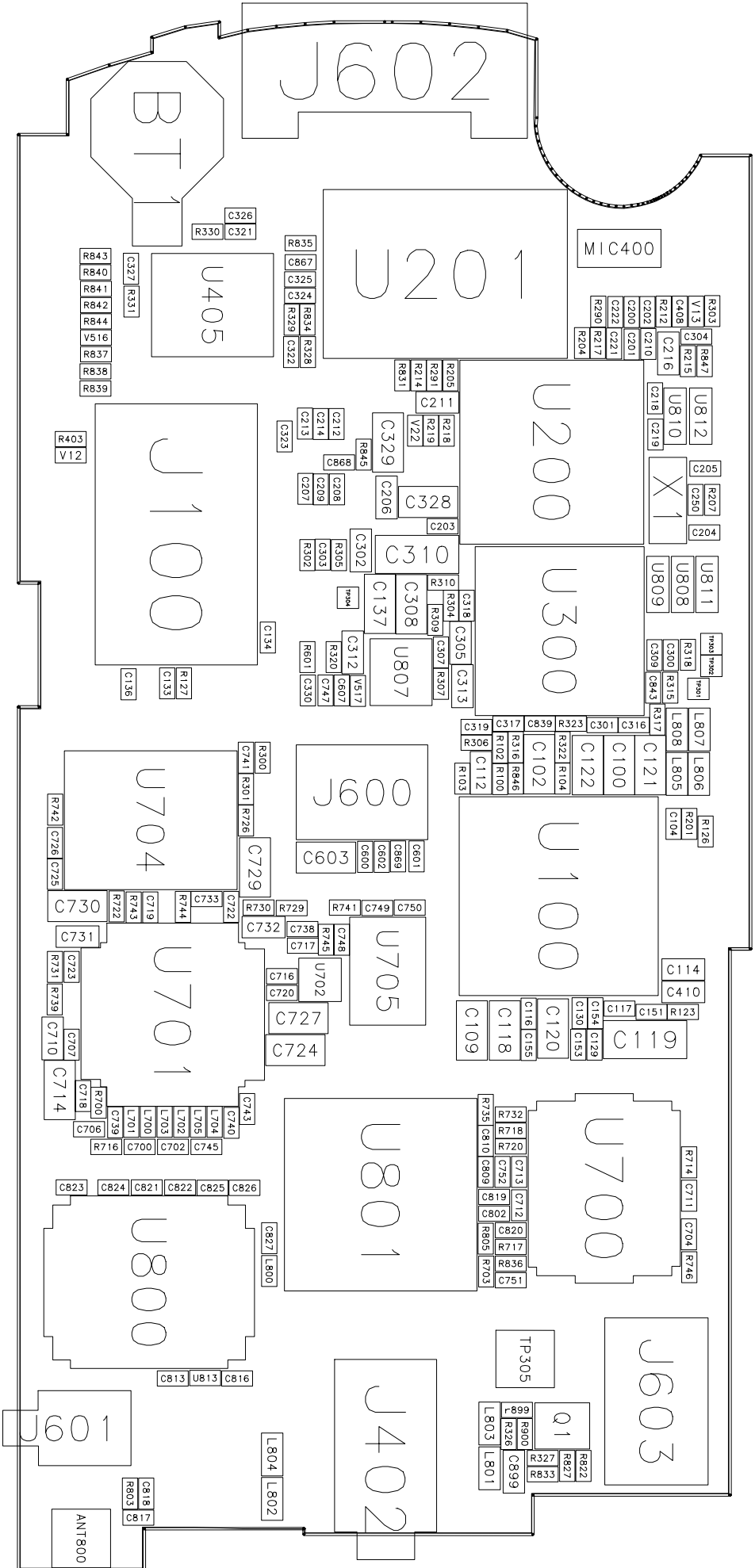
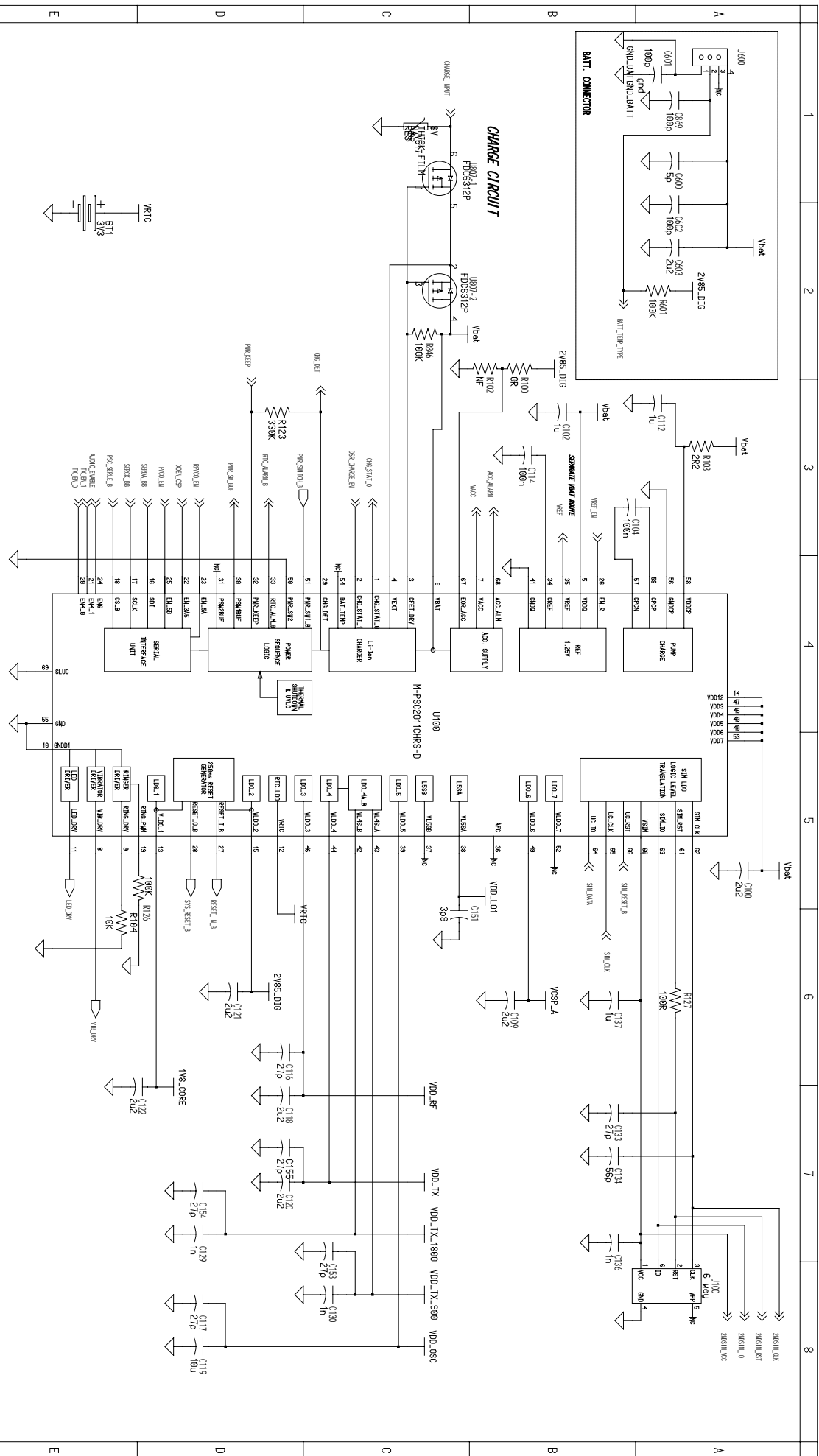


V501	V506
C515	C507
R511	R503
R508	R505
C512	C510
R510	R513
C509	C520
R520	R506
C513	C513
R518	R518
C519	C519
R519	R519
C504	C504
R507	R507
V515	V515
V512	V512
V511	V511
V508	V508
V507	V507
C900	C900
V510	V510
V509	V509
V504	V504
V505	V505
V514	V514

V518	RD1
V33	C844
C841	C842
C845	V37
V16	V16
C314	C314
R324	C315
V6	C863
C864	C864
V32	V32



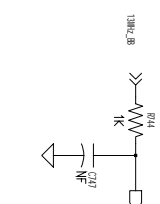
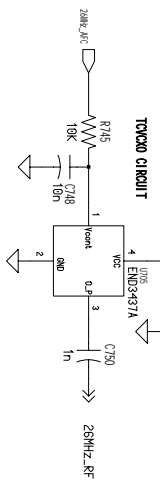
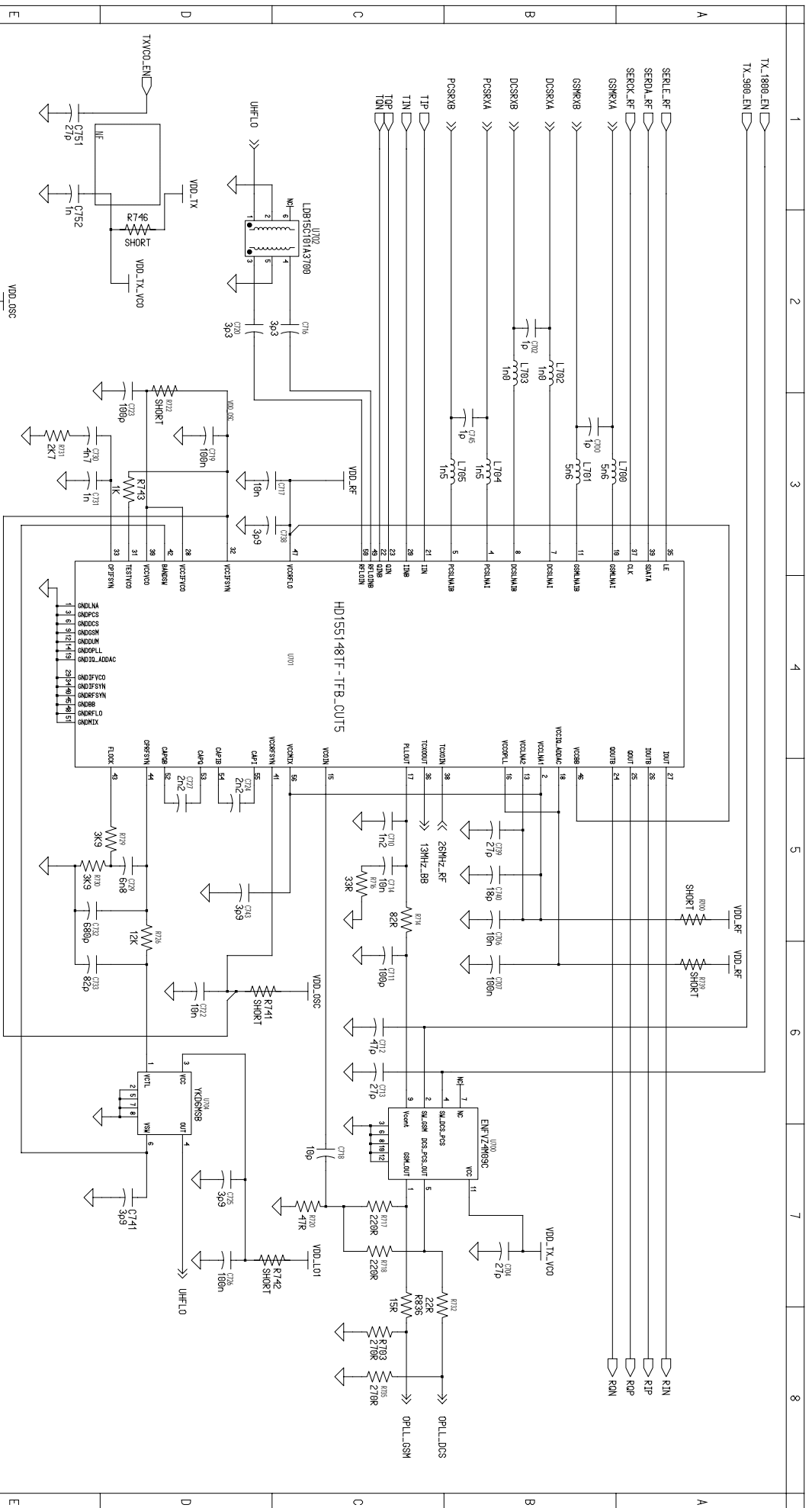


Tuesday, January 22, 2002 6:19:40 pm

The content of this document is Agere Systems Intellectual Property and is NOT to be disclosed, reproduced, or used in any way without the prior written consent of Agere Systems, Inc. or its wholly owned subsidiaries. Agere Systems, Inc. and its wholly owned subsidiaries are not responsible for any use of the Agere Systems equipment or software by third parties.

CONFIDENTIAL © 2001 Agere Systems.

DESIGN / DATE:	Amoi sonic
CHK'D / DATE:	Mobile Engineering Department
TITLE:	BASEBAND
	(POWER MANAGEMENT)
APP'D / DATE:	GSM3503V3.1
DRAWING NO.:	



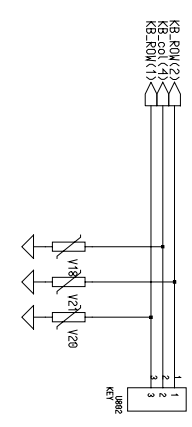
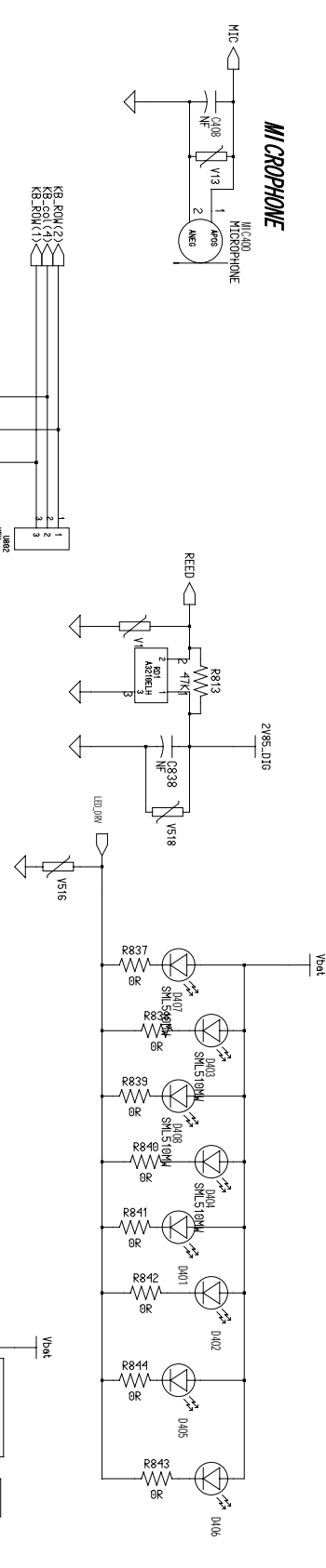
Wednesday, November 14, 2001 11:32:51 am

The content of this document is Agere Systems Intellectual Property and is NOT TO BE DISCLOSED, REPRODUCED, COPIED, OR TRANSMITTED IN ANY FORM OR BY ANY MEANS, ELECTRONIC OR MECHANICAL, INCLUDING PHOTOCOPYING, RECORDING, OR BY ANY INFORMATION STORAGE AND RETRIEVAL SYSTEM, WITHOUT THE WRITTEN PERMISSION OF Agere Systems. In connection with the manufacturing, maintenance and use of the Agere Systems equipment to which this document applies, the user shall hold Agere Systems harmless for any and all claims, damages, losses, and expenses, including reasonable attorneys' fees, that may be asserted against or incurred by Agere Systems or its subsidiaries, affiliates, or licensors in connection with the use of the equipment.

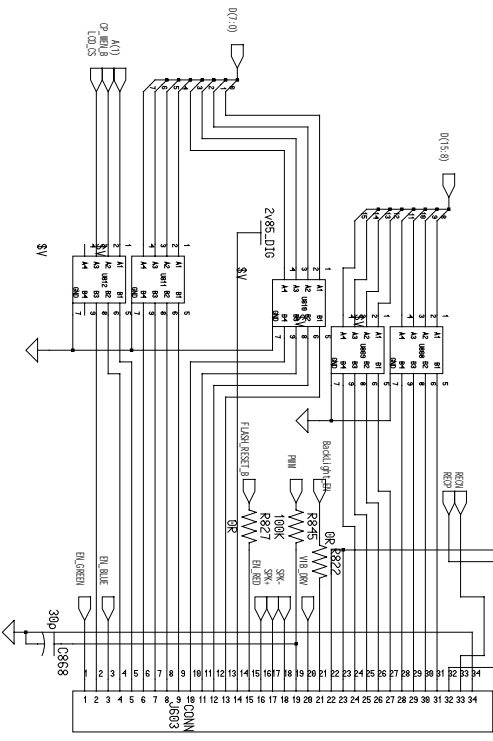
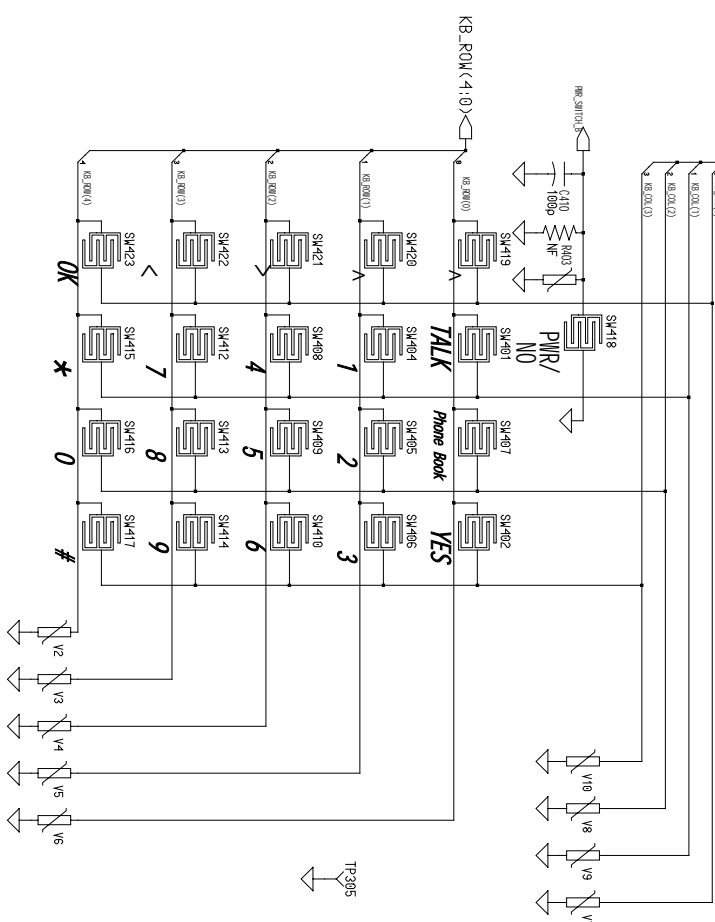
© 2001 Agere Systems

Agere Systems
Microelectronics Group

DRWNO / DATE:	TITLE:
CHK'D / DATE:	RF
APP'D / DATE:	GSM3503V3.1
DRWING NO.:	(RF CORR)
SHEET: 7	A
OF 9	3



KEY PAD



PRODUCTION TESTPOINTS

RESET_IN, A-B1 < TP402
 PWR-SWITCH, A-B < TP404
 XCEN, TR1, PTE, DEF, A-B < TP405

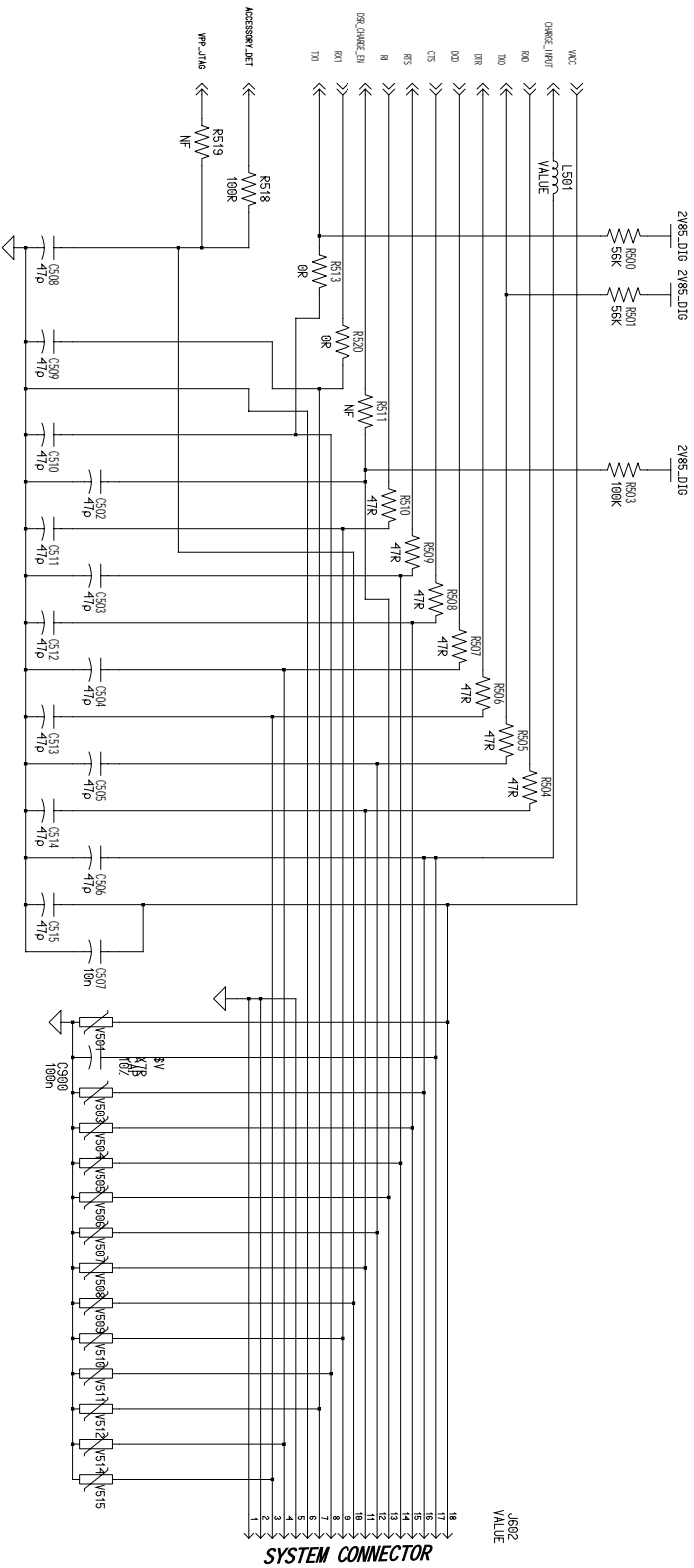
IF layout=1

Tuesday, July 2, 2002 3:44:22 pm

The content of this document is Agere Systems Intellectual Property and is NOT to be disclosed, reproduced, or used in any way without the prior written consent of Agere Systems, Inc. in connection with the manufacturing, maintenance and use of the Agere Systems equipment or components.

© 2001 Agere Systems.

DRWNO / DATE:	TITLE
CHK'D / DATE:	MMI
APP'D / DATE:	Mobile Engineering Department
DRWING NO:	GSM3503V3_1



SYSTEM CONNECTOR

The content of this document is Agere Systems Intellectual Property and is NOT TO BE DISCLOSED, REPRODUCED, OR USED IN ANY MANNER WITHOUT THE WRITTEN PERMISSION OF Agere Systems, Inc. in the manufacturing, maintenance and use of the Agere Systems equipment to which it applies. © 2001 Agere Systems. CONFIDENTIAL

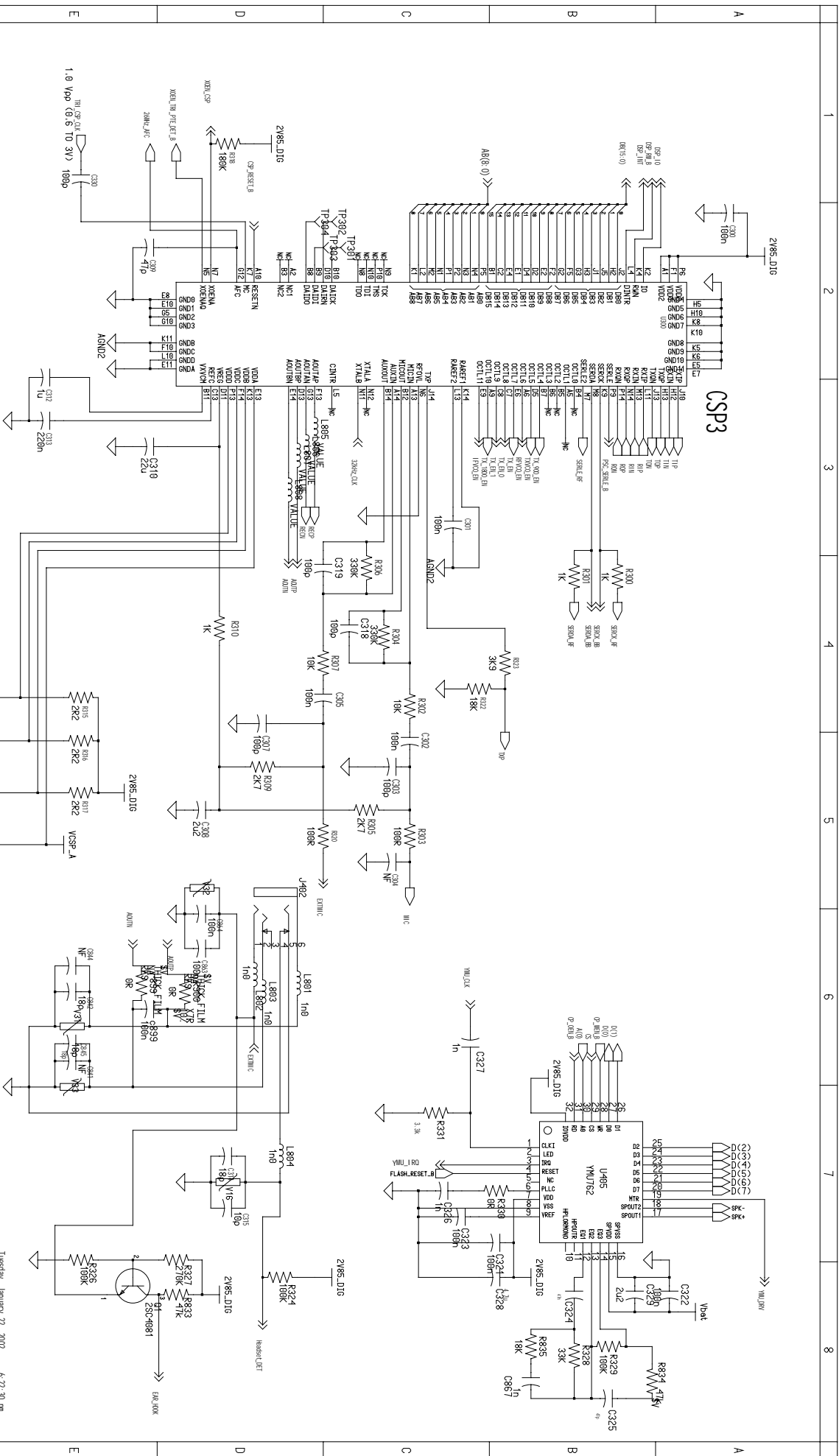
Amoi sonic
Mobile Engineering Department

BASEBAND
(CASK1)

GSM3503V3.1

SHEET: 6
OF 9
A

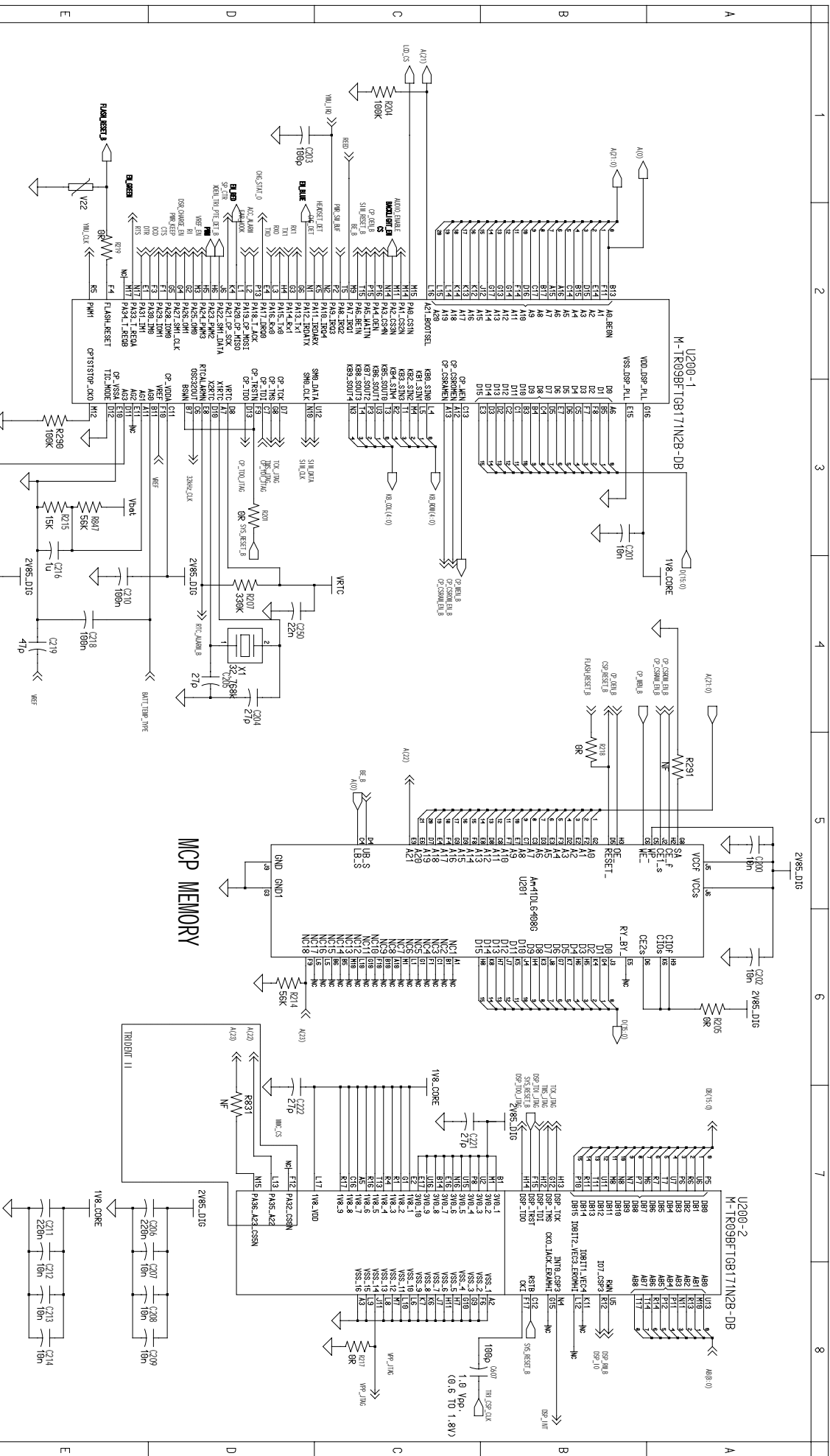
Tuesday, January 22, 2002 6:23:04 pm



The content of this document is Agere Systems Intellectual Property and is NOT TO BE DISCLOSED, REPRODUCED, OR USED IN ANY MANNER WITHOUT THE WRITTEN PERMISSION OF Agere Systems. This document is the property of Agere Systems and its use is limited to the specific project and system for which it was prepared. © 2001 Agere Systems. CONFIDENTIAL

Tuesday, January 22, 2002 6:22:30 pm

DRWING / DATE:	TITLE:	Mobile Engineering Department
CHK'D / DATE:	BASEBAND	
APP'D / DATE:	(CSP & VANDRA)	
DRWING NO.:	GSM3503V3.1	
SHEET: 4	A	
OF 9	3	



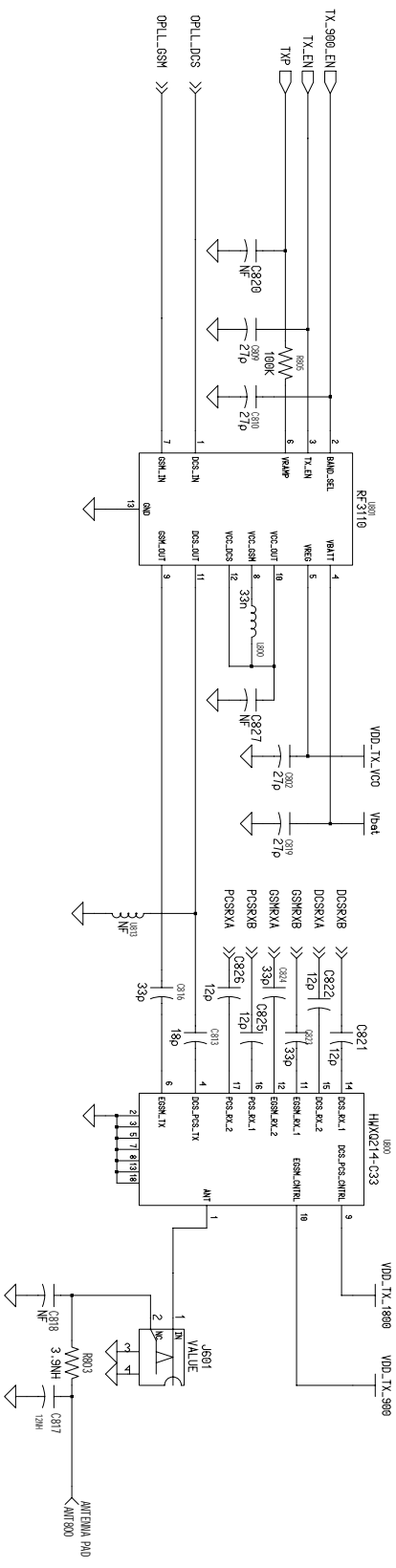
MCP MEMORY

The content of this document is Agere Systems Intellectual Property and is NOT to be disclosed, reproduced, or used in any way without the prior written consent of Agere Systems. Agere Systems, the Agere logo, and the Agere logo with the word "Agere" are trademarks of Agere Systems Corporation. © 2001 Agere Systems Corporation.

Tuesday, June 18, 2002 4:10:52 pm

DESIGN / DATE:	
CHK'D / DATE:	
APP'D / DATE:	
TITLE:	BASEBAND (TR039BFT171N28)
DRAWING NO.:	GSM3503V3.1
SHEET: 3	A
OF 9	3

Amoi sonic
Mobile Engineering Department



The content of this document is Agere Systems Intellectual Property and is NOT TO BE DISCLOSED, REPRODUCED, COPIED, OR TRANSMITTED IN ANY FORM OR BY ANY MEANS, including photocopying, recording, and by any information storage and retrieval system, without the prior written permission of Agere Systems, Inc. All rights reserved. © 2001 Agere Systems.

Agere Systems
 Microelectronics Group

DRWN / DATE:	TITLE:
CHK'D / DATE:	RF
APP'D / DATE:	(OF FRONT END)
DRAWING NO:	GSM3503V3_1