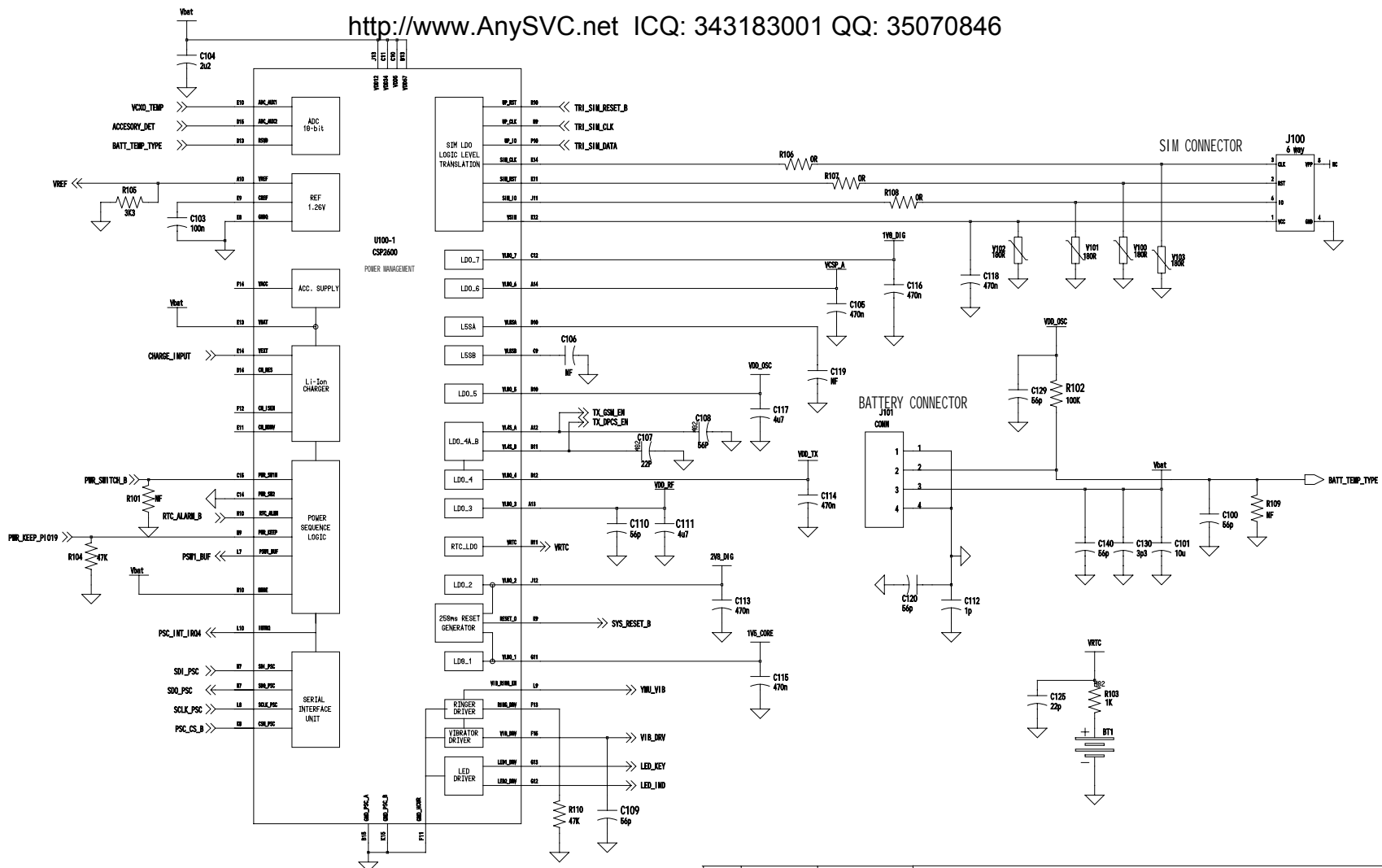


http://www.AnySVC.net ICQ: 343183001 QQ: 35070846

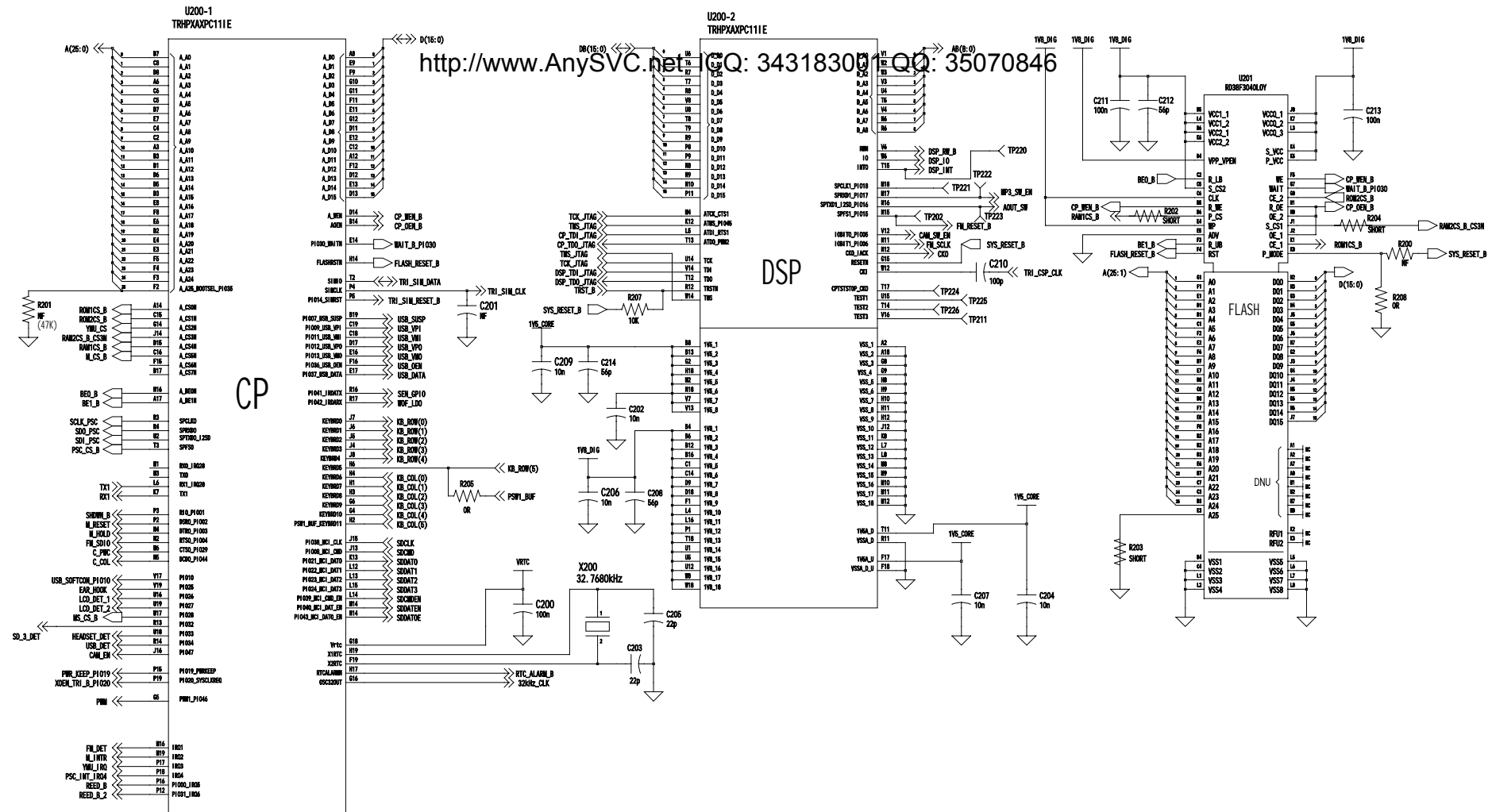


3.0	01/09/05	
2.1	5/08/05	
2.0	1/07/05	
1.1	25/05/05	
BV1.0	05/04/05	
VER	DATE	REMARKS

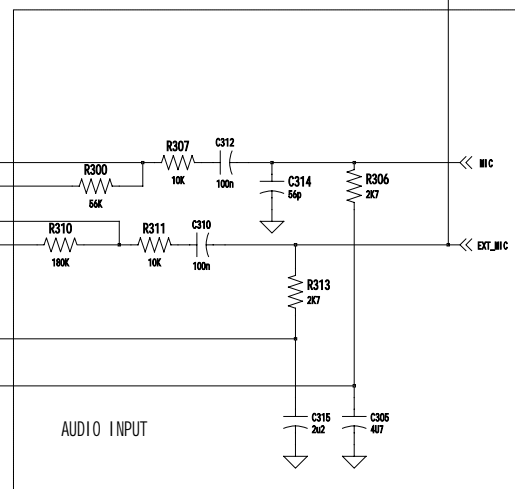
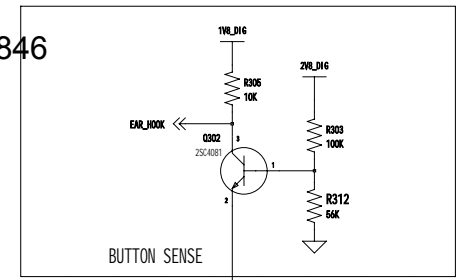
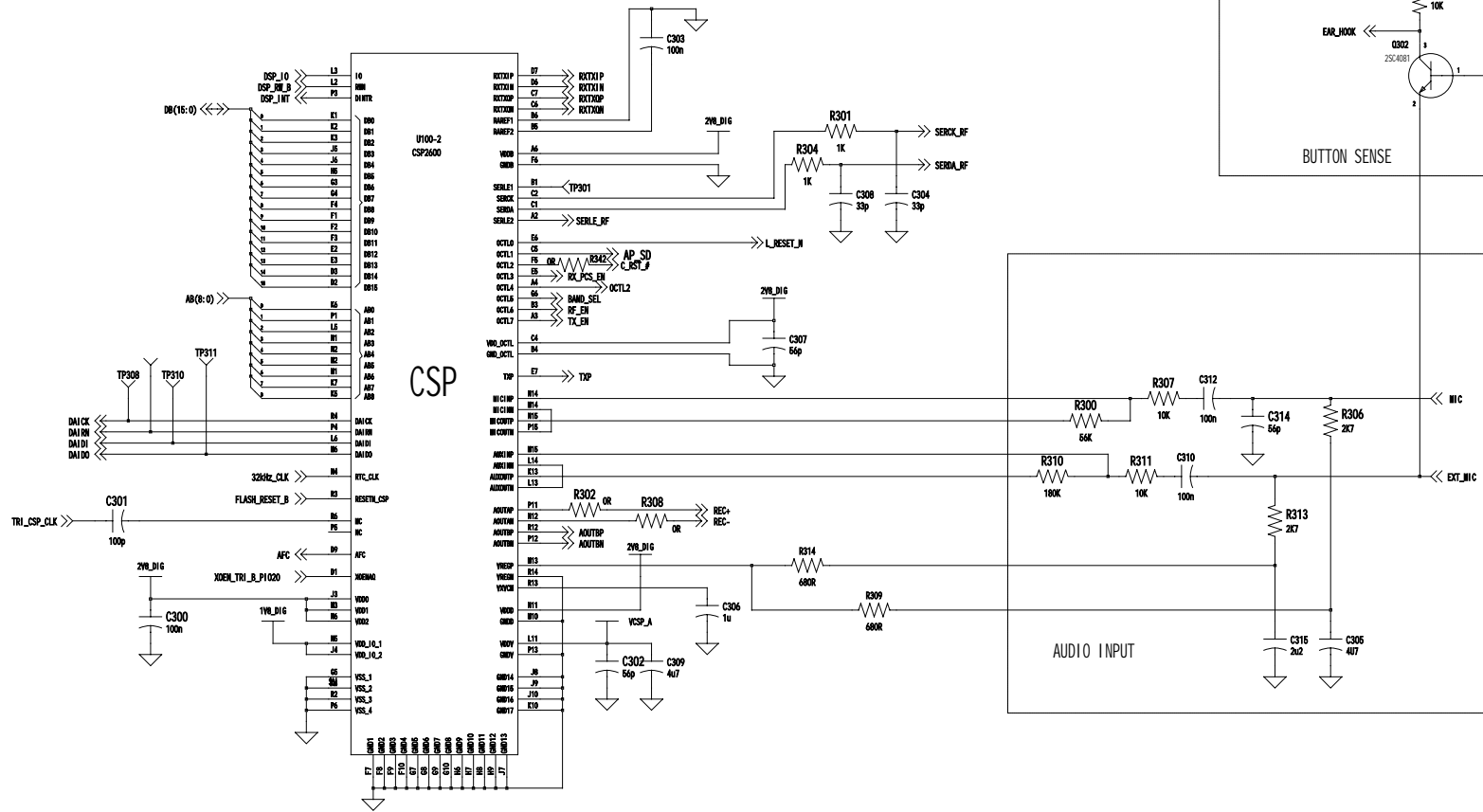
The content of this document is Amoi Intellectual Property and is the property of Amoi. It is to be treated as STRICTLY CONFIDENTIAL and is NOT TO BE DISCLOSED, REPRODUCED, OR USED except as authorized in writing by Amoi in connection with the manufacture, maintenance and use of the Amoi equipment to which it pertains.

COPYRIGHT © 2005, Amoi.

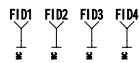
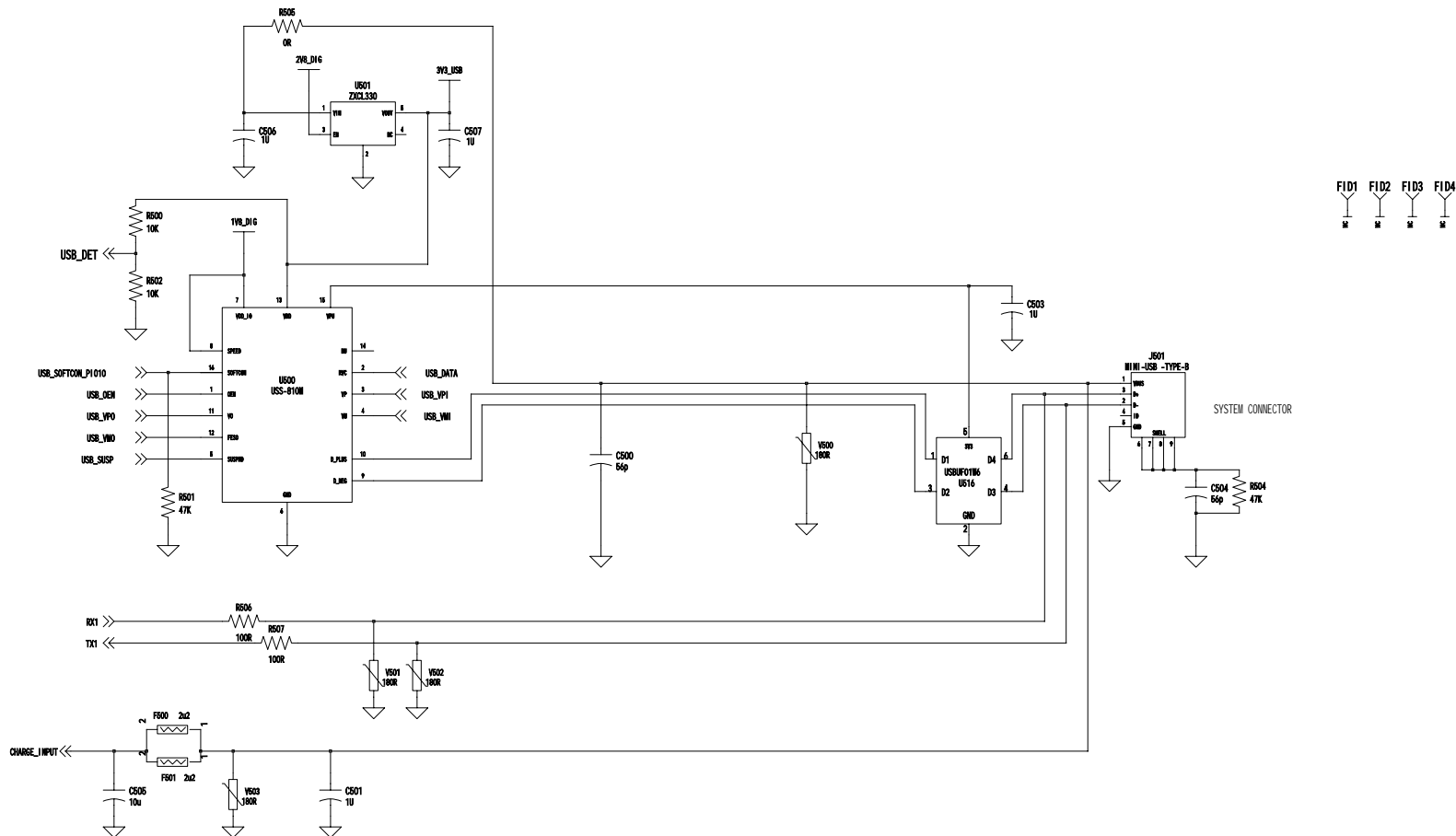
DRAWN / DATE: YEJJ 15/06/05	AMOI MOBILE CO., LTD	
CHEK'D / DATE:		
APP'D / DATE:	TITLE: POWER MANAGEMENT	GSM6307V3.0
DRAWING No:	SHEET: 1 OF 10 A 3	



3.0	01/09/05	The content of this document is Amoi Intellectual Property and is the property of Amoi. It is to be treated as STRICTLY CONFIDENTIAL and is NOT TO BE DISCLOSED, REPRODUCED, OR USED except as authorized in writing by Amoi in connection with the manufacture, maintenance and use of the Amoi equipment to which it pertains.	
2.1	5/08/05	COPYRIGHT © 2005, Amoi.	
2.0	1/07/05	DRAWN / DATE: YEJJ 15/06/05	AMOI MOBILE CO., LTD
1.1	25/05/05	CHK'D / DATE:	TITLE: DIGITAL BASEBAND
BV1.0	05/04/05	APP'D / DATE:	DRAWING No:
VER	DATE	REMARKS	GSM6307V3.0



3.0	1/09/05		The content of this document is Amoi Intellectual Property and is the property of Amoi. It is to be treated as STRICTLY CONFIDENTIAL and is NOT TO BE DISCLOSED, REPRODUCED, OR USED except as authorized in writing by Amoi in connection with the manufacture, maintenance and use of the Amoi equipment to which it pertains. COPYRIGHT © 2005, Amoi.	
2.1	5/08/05		DRAWN / DATE: YEJ 15/06/05	AMOI MOBILE CO., LTD
2.0	1/07/05		CHK'D / DATE:	
1.1	25/05/05		APP'D / DATE:	MIXED SIGNAL PROCESSOR
BV1.0	05/04/05		DRAWING No:	GSM6307V3.0
VER	DATE	REMARKS		SHEET: 3 OF 10 A 3

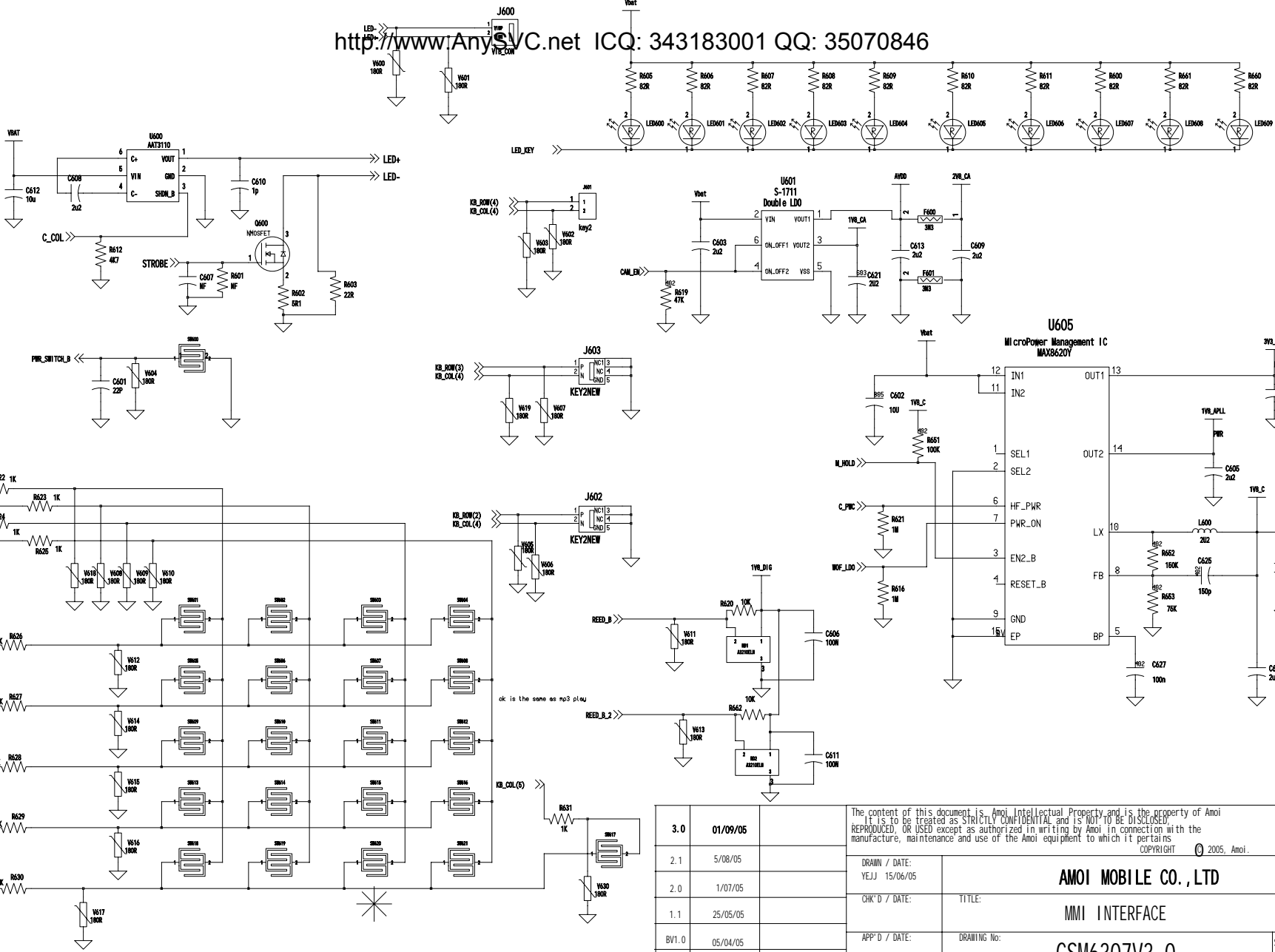


3.0	1/09/05	
2.1	5/08/05	
2.0	1/07/05	
1.1	25/05/05	
BV1.0	05/04/05	
VER	DATE	REMARKS

The content of this document is Amoi Intellectual Property and is the property of Amoi. It is to be treated as STRICTLY CONFIDENTIAL and is NOT TO BE DISCLOSED, REPRODUCED, OR USED except as authorized in writing by Amoi in connection with the manufacture, maintenance and use of the Amoi equipment to which it pertains.
 COPYRIGHT © 2005, Amoi.

DRAWN / DATE: YEJJ 15/06/05	AMOI MOBILE CO., LTD	
CHK'D / DATE:		
APP'D / DATE:	DRAWING No:	SHEET: 5 A OF 10 3
GSM6307V3.0		

http://www.AnySVC.net ICQ: 343183001 QQ: 35070846



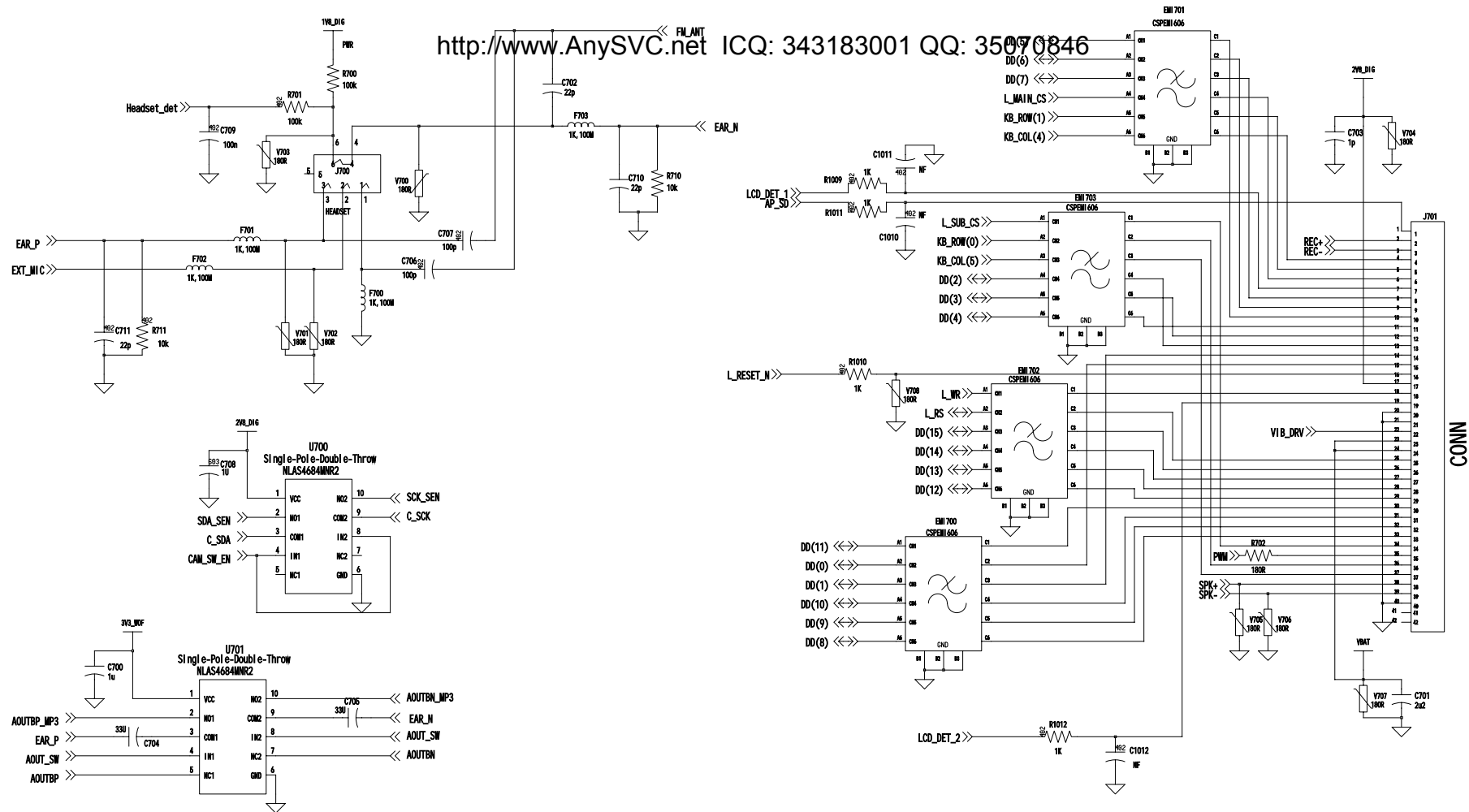
3.0	01/09/05	
2.1	5/08/05	
2.0	1/07/05	
1.1	25/05/05	
BV1.0	05/04/05	
VER	DATE	REMARKS

The content of this document is Amoi Intellectual Property and is the property of Amoi. It is to be treated as STRICTLY CONFIDENTIAL and IS NOT TO BE DISCLOSED, REPRODUCED, OR USED except as authorized in writing by Amoi in connection with the manufacture, maintenance and use of the Amoi equipment to which it pertains.

COPYRIGHT © 2005, Amoi.

DRAWN / DATE: YEJ 15/06/05	TITLE: AMOI MOBILE CO., LTD
CHK'D / DATE:	MMI INTERFACE
APP'D / DATE:	DRAWING No:
GSM6307V3.0	
SHEET OF	6 / 10 A 3

http://www.AnySVC.net ICQ: 343183001 QQ: 350970846



VER	DATE	REMARKS	DRAWING No:		SHEET: 7 A
3.0	01/09/05		EAT_CONN LCD_CONN		10 3
2.1	5/08/05		GSM6307V3.0		
2.0	1/07/05				
1.1	25/05/05				
BV1.0	05/04/05				

The content of this document is Amoi Intellectual Property and is the property of Amoi. It is to be treated as STRICTLY CONFIDENTIAL and is NOT TO BE DISCLOSED, REPRODUCED, OR USED except as authorized in writing by Amoi in connection with the manufacture, maintenance and use of the Amoi equipment to which it pertains.
 COPYRIGHT © 2005, Amoi.

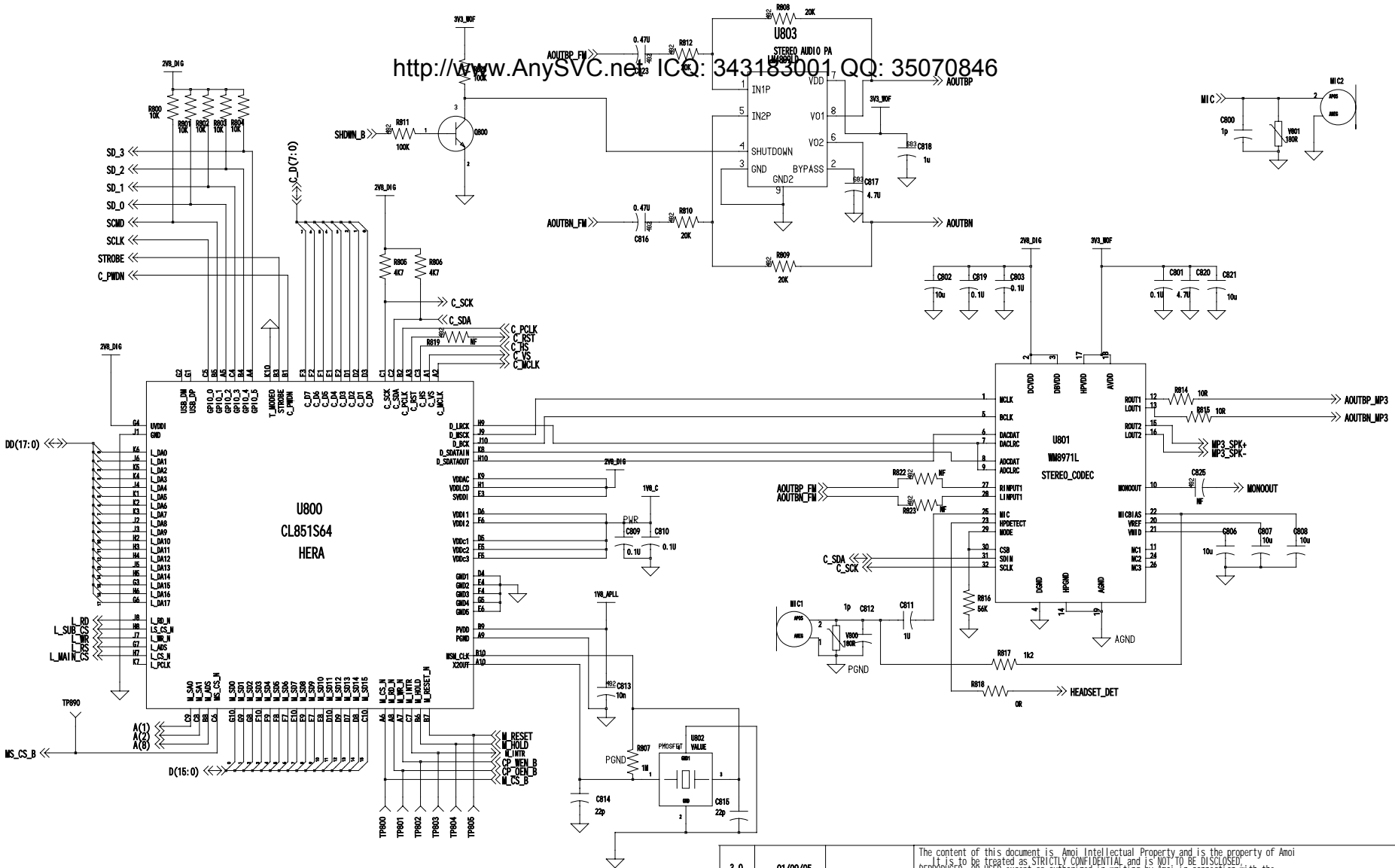
DRAWN / DATE: YEJJ 15/06/05
 CHECK'D / DATE: TITLE:
 APP'D / DATE: DRAWING No:

AMOBI MOBILE CO., LTD

EAT_CONN LCD_CONN

GSM6307V3.0

SHEET: 7 A
 OF 10 3



<http://www.AnySVC.net> ICQ: 343183001, QQ: 35070846

3.0	01/09/05	
2.1	5/08/05	
2.0	1/07/05	
1.1	25/05/05	
BV1.0	05/04/05	
VER	DATE	REMARKS

The content of this document is Amoi Intellectual Property and is the property of Amoi. It is to be treated as STRICTLY CONFIDENTIAL and is NOT to be DISCLOSED, REPRODUCED, OR USED except as authorized in writing by Amoi in connection with the manufacture, maintenance and use of the Amoi equipment to which it pertains.
 COPYRIGHT © 2005, Amoi.

AMOI MOBILE CO., LTD

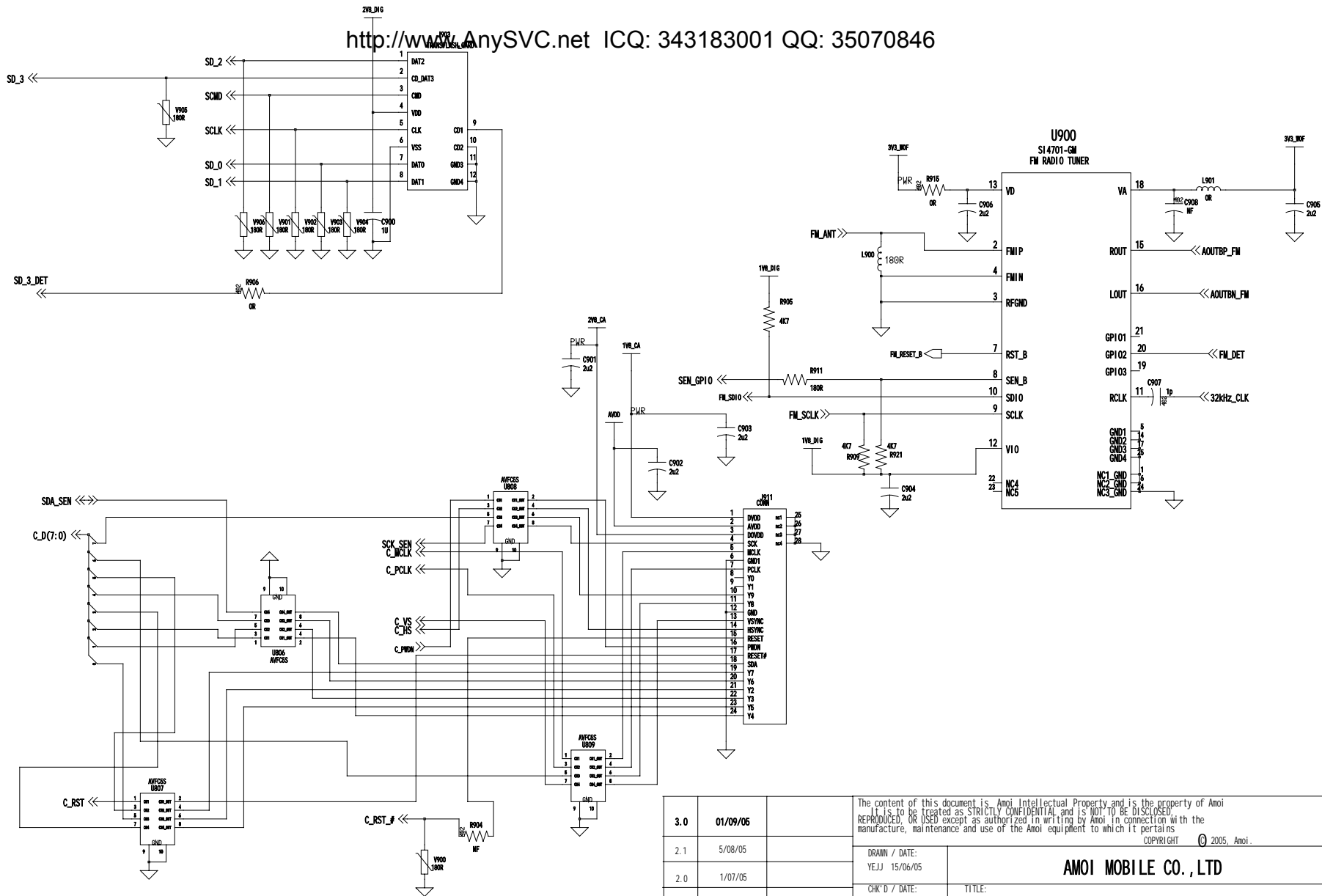
STEREO_CODEC HERA

APP'D / DATE: DRAWING No:

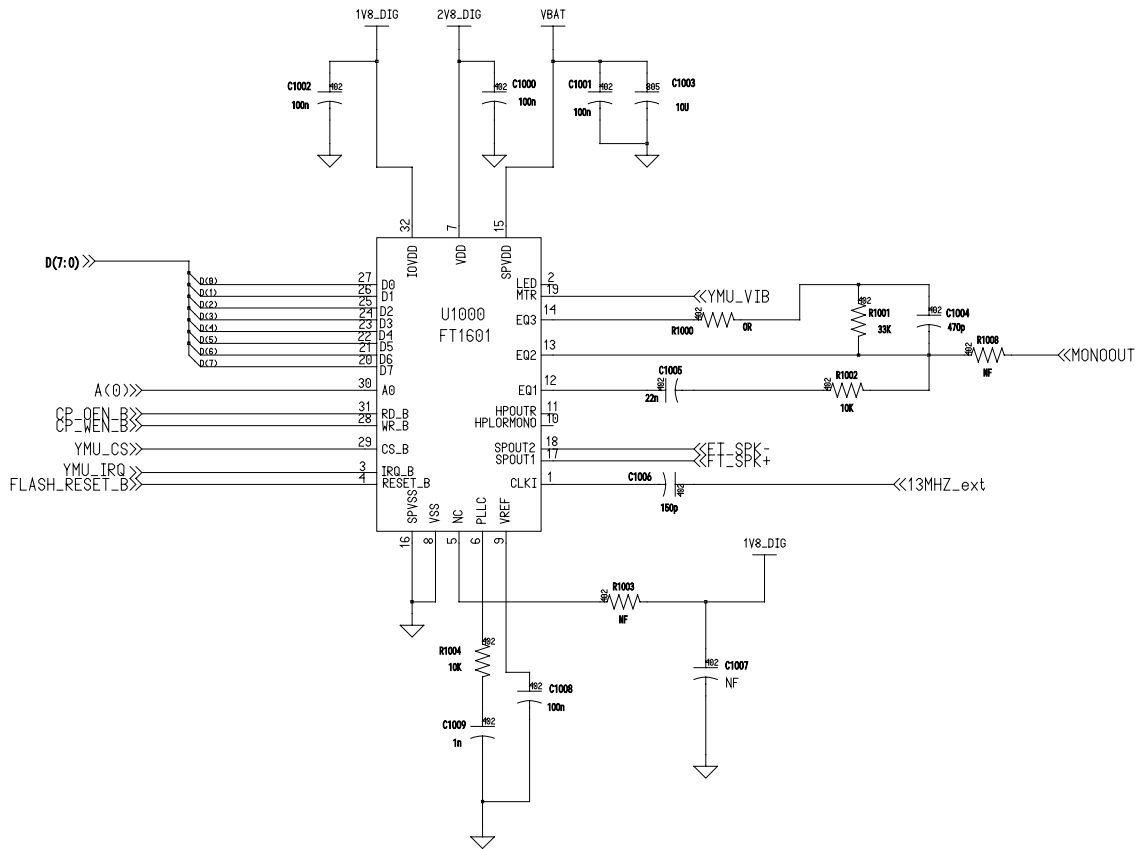
GSM6307V3.0

SHEET: 8 A
OF 10 3

http://www.AnySVC.net ICQ: 343183001 QQ: 35070846



3.0	01/09/06		The content of this document is Amoi Intellectual Property and is the property of Amoi. It is to be treated as STRICTLY CONFIDENTIAL and is NOT TO BE DISCLOSED, REPRODUCED, OR USED except as authorized in writing by Amoi in connection with the manufacture, maintenance and use of the Amoi equipment to which it pertains. COPYRIGHT © 2005, Amoi.	
2.1	5/08/05		DRAWN / DATE: YEJJ 15/06/05	AMOI MOBILE CO., LTD
2.0	1/07/05		CHK'D / DATE:	
1.1	25/05/05		APP'D / DATE:	T_CARD CAMER_CONN
BV1.0	05/04/05		DRAWING No:	GSM6307V3.0
VER	DATE	REMARKS		SHEET: 9 A OF 10 3



3.0	01/09/05		The content of this document is Amoi Intellectual Property and is the property of Amoi. It is to be treated as STRICTLY CONFIDENTIAL and is NOT TO BE DISCLOSED, REPRODUCED, OR USED except as authorized in writing by Amoi in connection with the manufacture, maintenance and use of the Amoi equipment to which it pertains. COPYRIGHT © 2005, Amoi.		
2.1	5/08/05		DRAWN / DATE: YEJJ 15/06/05	AMOI MOBILE CO., LTD	
2.0	1/07/05		CHK'D / DATE:		
1.1	25/05/05		APP'D / DATE:	FANGTEK	
BV1.0	05/04/05		DATE	DRAWING No:	
VER	DATE	REMARKS		GSM6307V3.0	SHEET: 10 A OF 10 3

