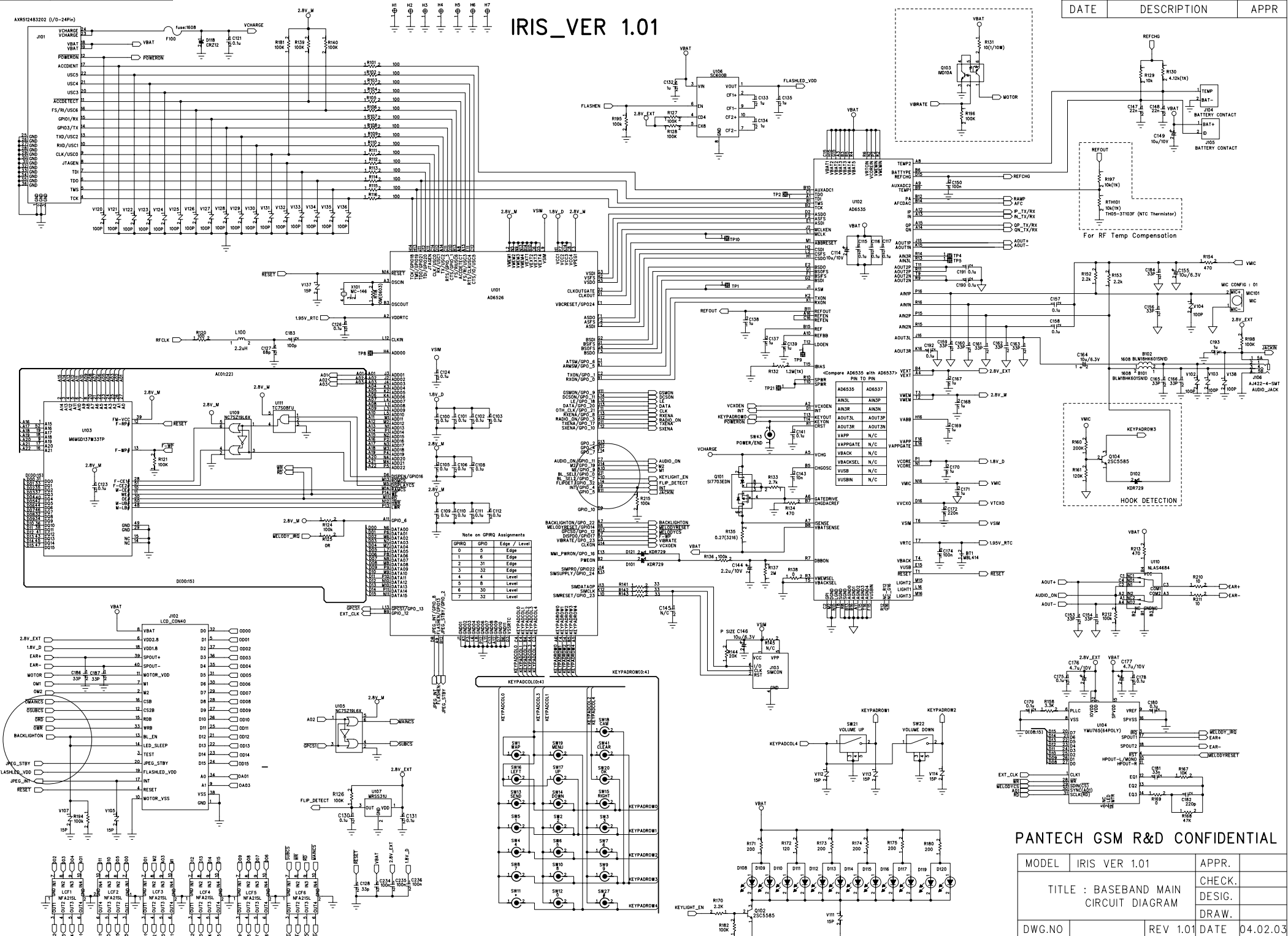


IRIS_VER 1.01



Note on GPIO Assignments

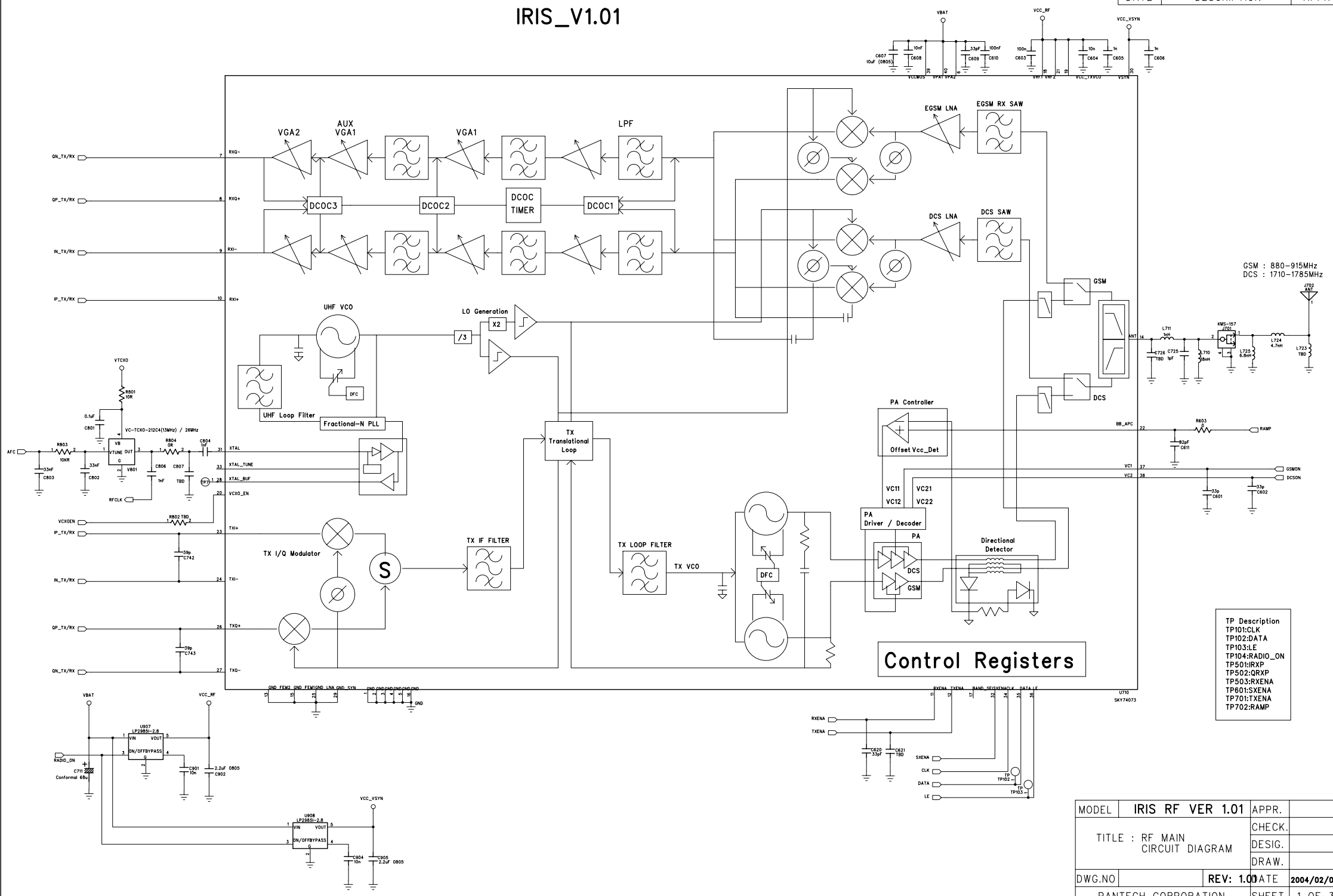
| GPIO | Edge / Level | |
|------|--------------|-------|
| 0 | 5 | Edge |
| 1 | 6 | Edge |
| 2 | 31 | Edge |
| 3 | 32 | Edge |
| 4 | 4 | Level |
| 5 | 8 | Level |
| 6 | 30 | Level |
| 7 | 32 | Level |

PANTECH GSM R&D CONFIDENTIAL

| | | | |
|---------------------|-------------------------------|--------|----------|
| MODEL | IRIS VER 1.01 | APPR. | |
| TITLE | BASEBAND MAIN CIRCUIT DIAGRAM | CHECK. | |
| DWG.NO | REV 1.01 | DATE | 04.02.03 |
| PANTECH CORPORATION | | SHEET | 1 OF 3 |

IRIS_V1.01

| REVISIONS | | |
|-----------|-------------|------|
| DATE | DESCRIPTION | APPR |
| | | |



CSM : 880-915MHz
DCS : 1710-1785MHz

Control Registers

TP Description
 TP101:CLK
 TP102:DATA
 TP103:LE
 TP104:RADIO_ON
 TP501:IRXP
 TP502:ORVP
 TP503:RXENA
 TP601:SXENA
 TP701:TXENA
 TP702:RAMP

| | | | |
|---------------------------------|------------------|--------|------------|
| MODEL | IRIS RF VER 1.01 | APPR. | |
| TITLE : RF MAIN CIRCUIT DIAGRAM | | CHECK. | |
| | | DESIG. | |
| | | DRAW. | |
| DWG.NO | REV: 1.01 | DATE | 2004/02/03 |
| PANTECH CORPORATION | | SHEET | 1 OF 3 |

