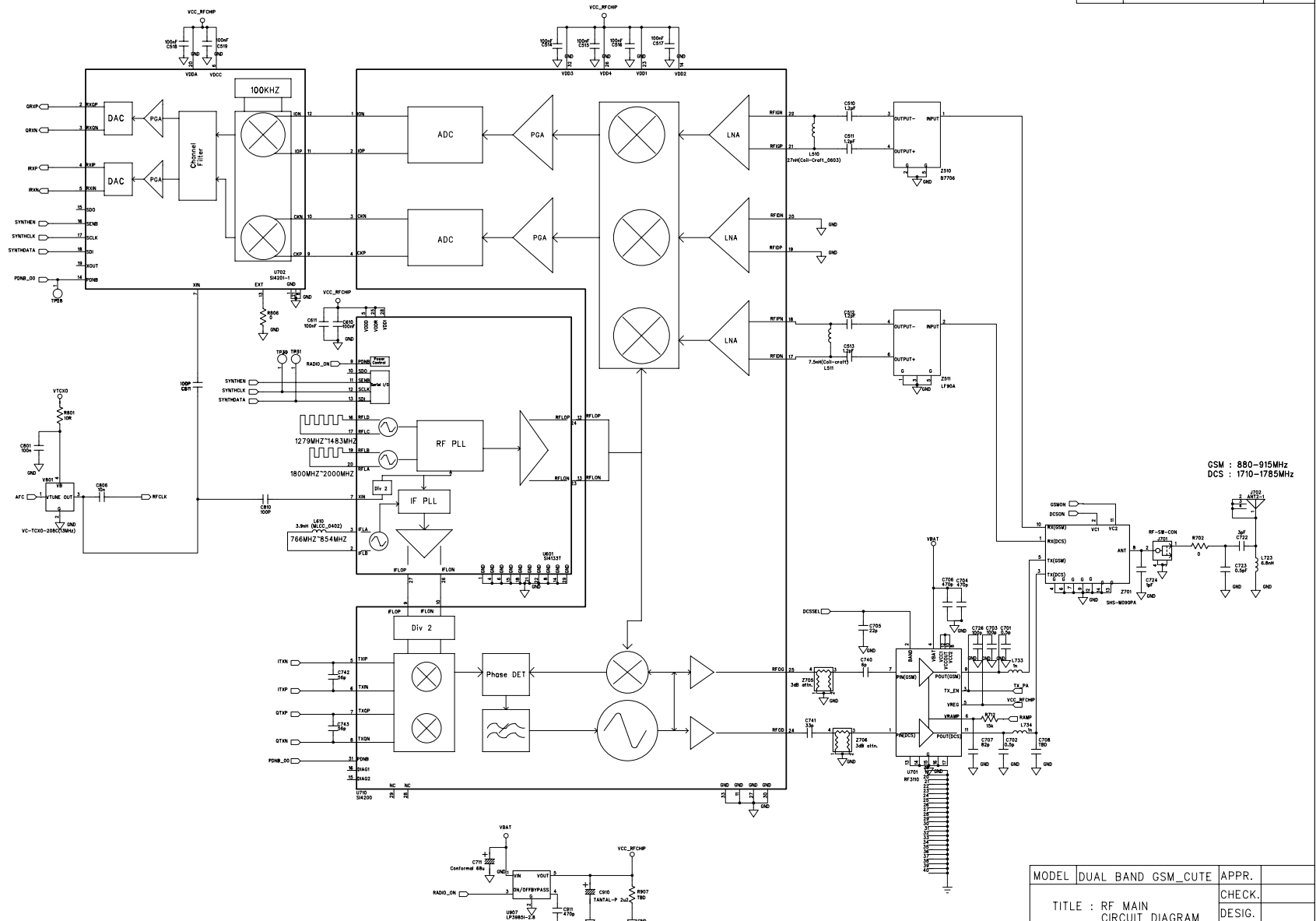


DATE	DESCRIPTION	APPR
------	-------------	------



GSM : 880-915MHz
DCS : 1710-1785MHz

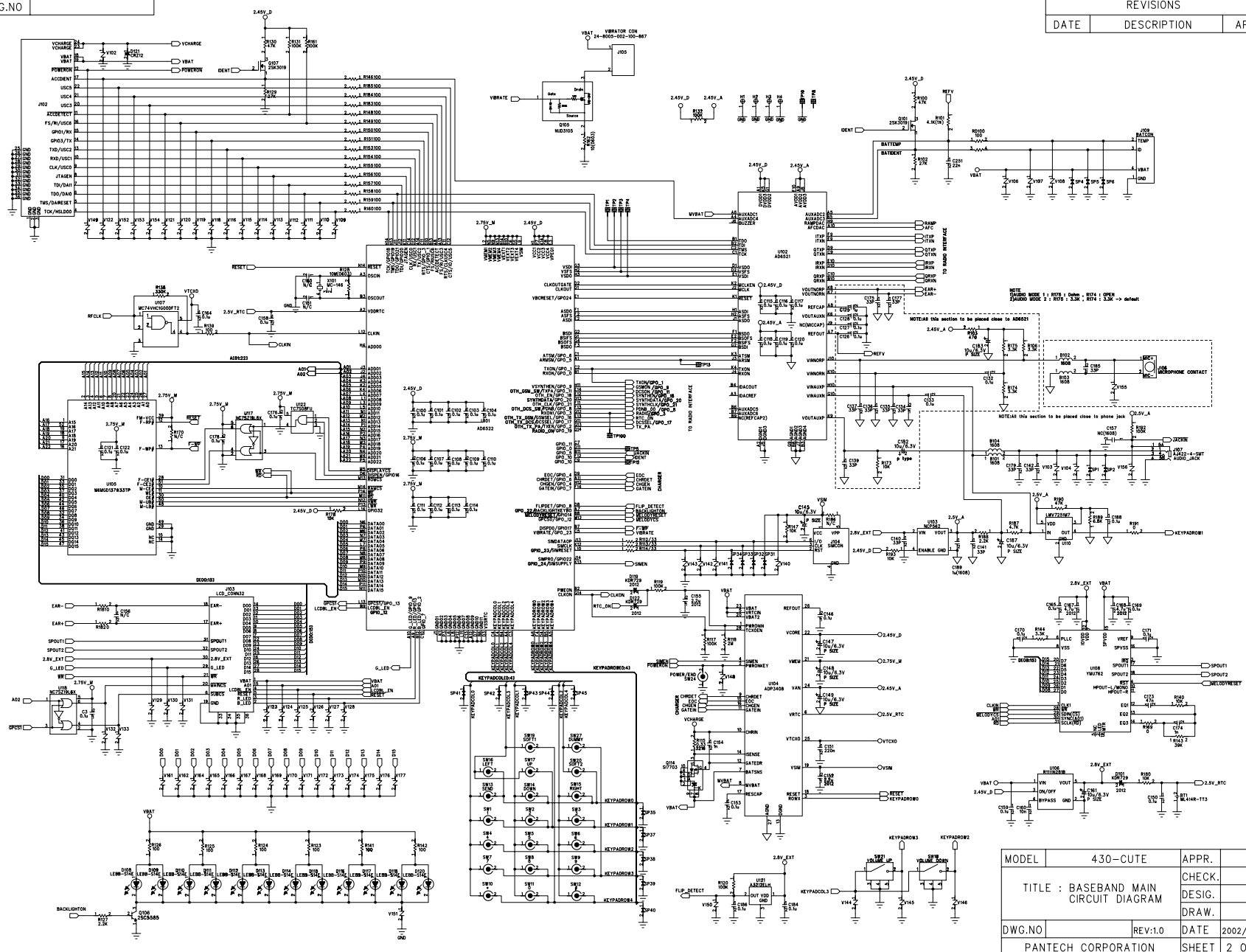
All the size of R,L,C component is 0402, if not commented

MODEL	DUAL BAND GSM_CUTE	APPR.	
TITLE	RF MAIN CIRCUIT DIAGRAM	CHECK.	
		DESIG.	
		DRAW.	
DWG.NO		REV:1.0	DATE 2002/10/11
PANTECH CORPORATION		SHEET	1 OF 3

DWG.NO

REVISIONS

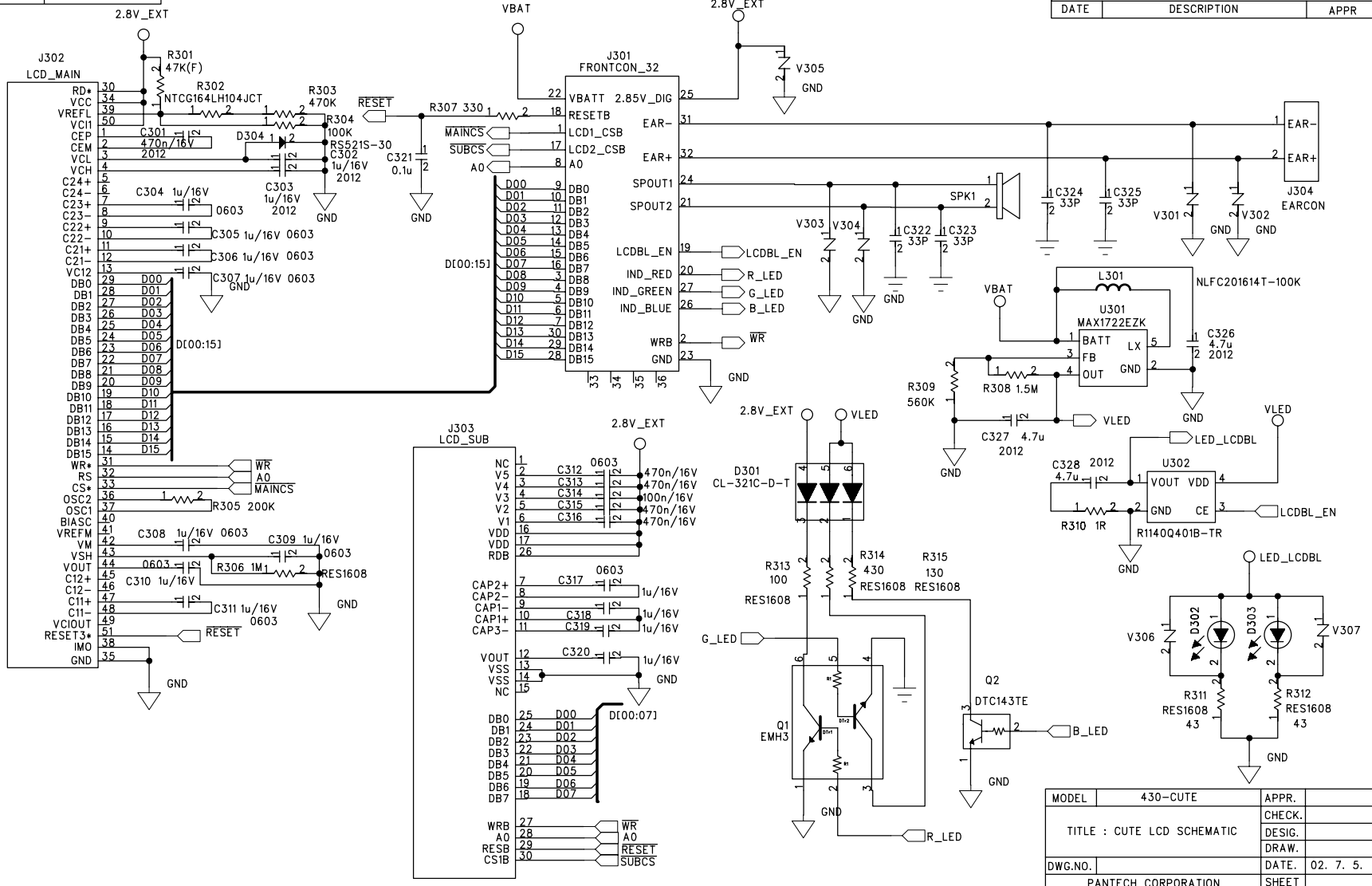
DATE	DESCRIPTION	APPR
------	-------------	------



MODEL	430-CUTE	APPR.	
TITLE : BASEBAND MAIN CIRCUIT DIAGRAM		CHECK.	
		DESIG.	
		DRAW.	
DWG.NO	REV:1.0	DATE	2002/10/11
PANTECH CORPORATION		SHEET	2 OF 3

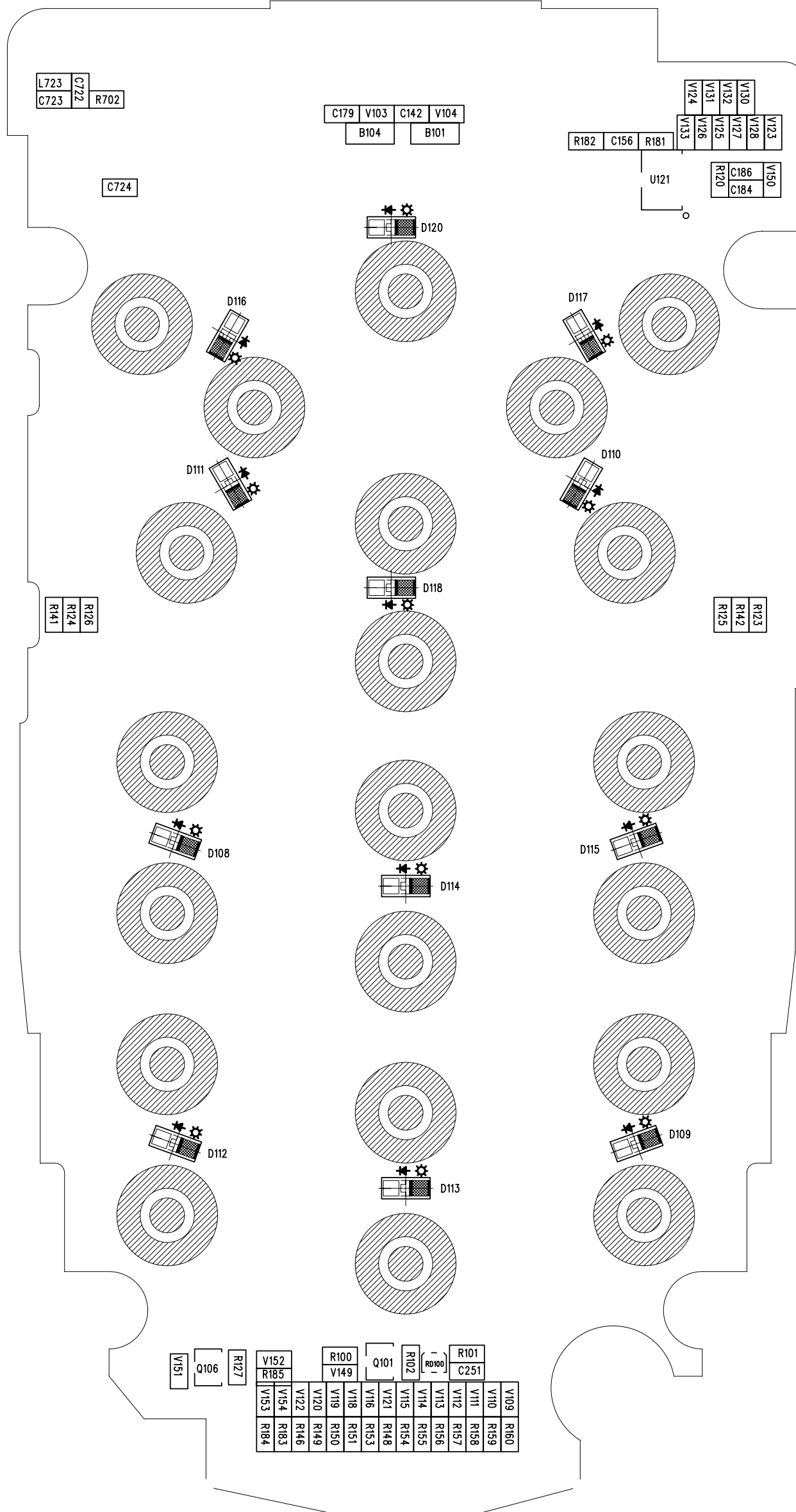
DWG.NO. 0330050000-G-H-003

REVISIONS		
DATE	DESCRIPTION	APPR



MODEL	430-CUTE	APPR.	
TITLE : CUTE LCD SCHEMATIC		CHECK.	
		DESIG.	
		DRAW.	
DWG.NO.		DATE.	02. 7. 5.
PANTECH CORPORATION		SHEET	

CUTE VER 1.0 LOCATION MAP BOTTOM



CUTE VER 1.0 LOCATION MAP TOP

