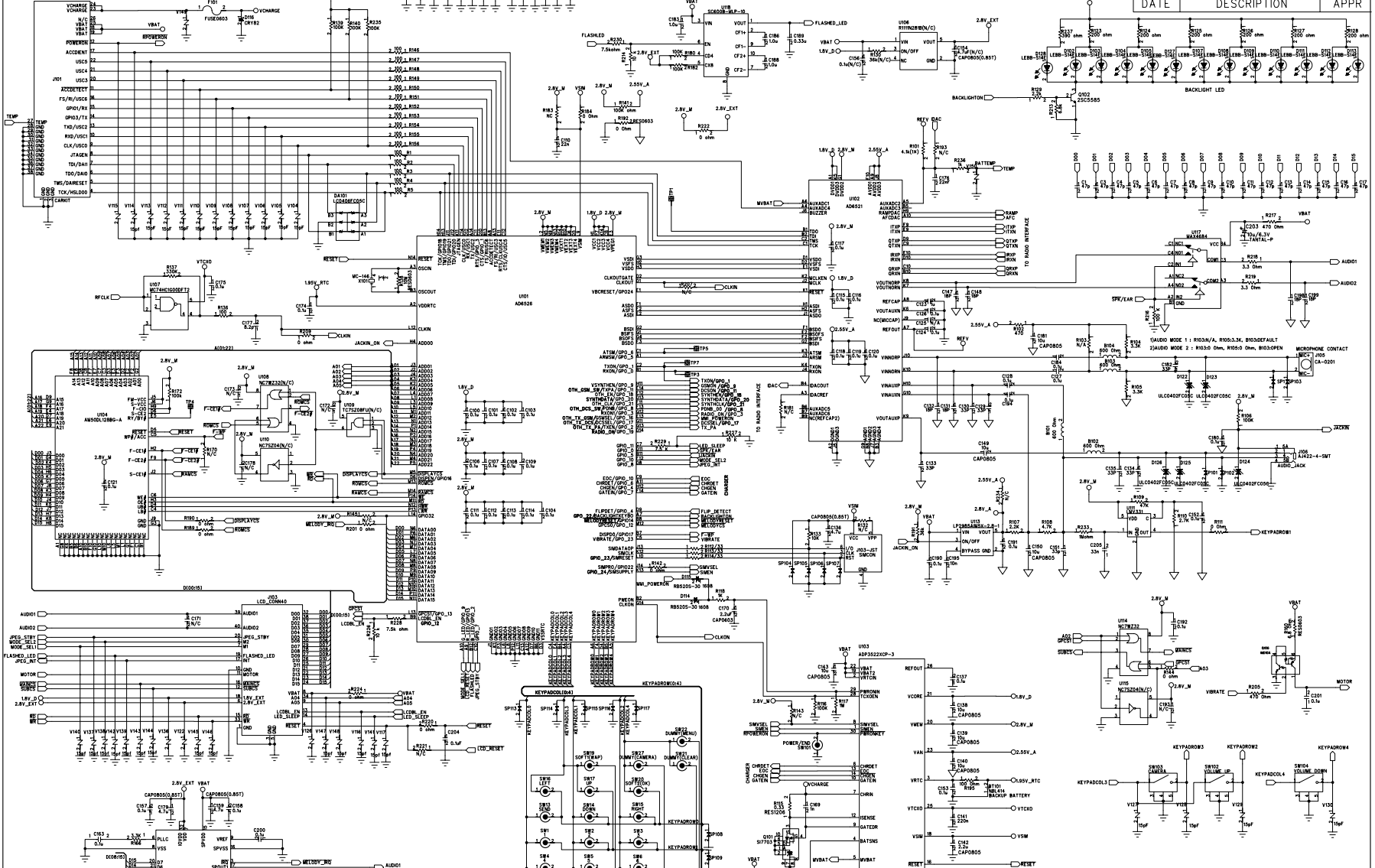


DWG.NO

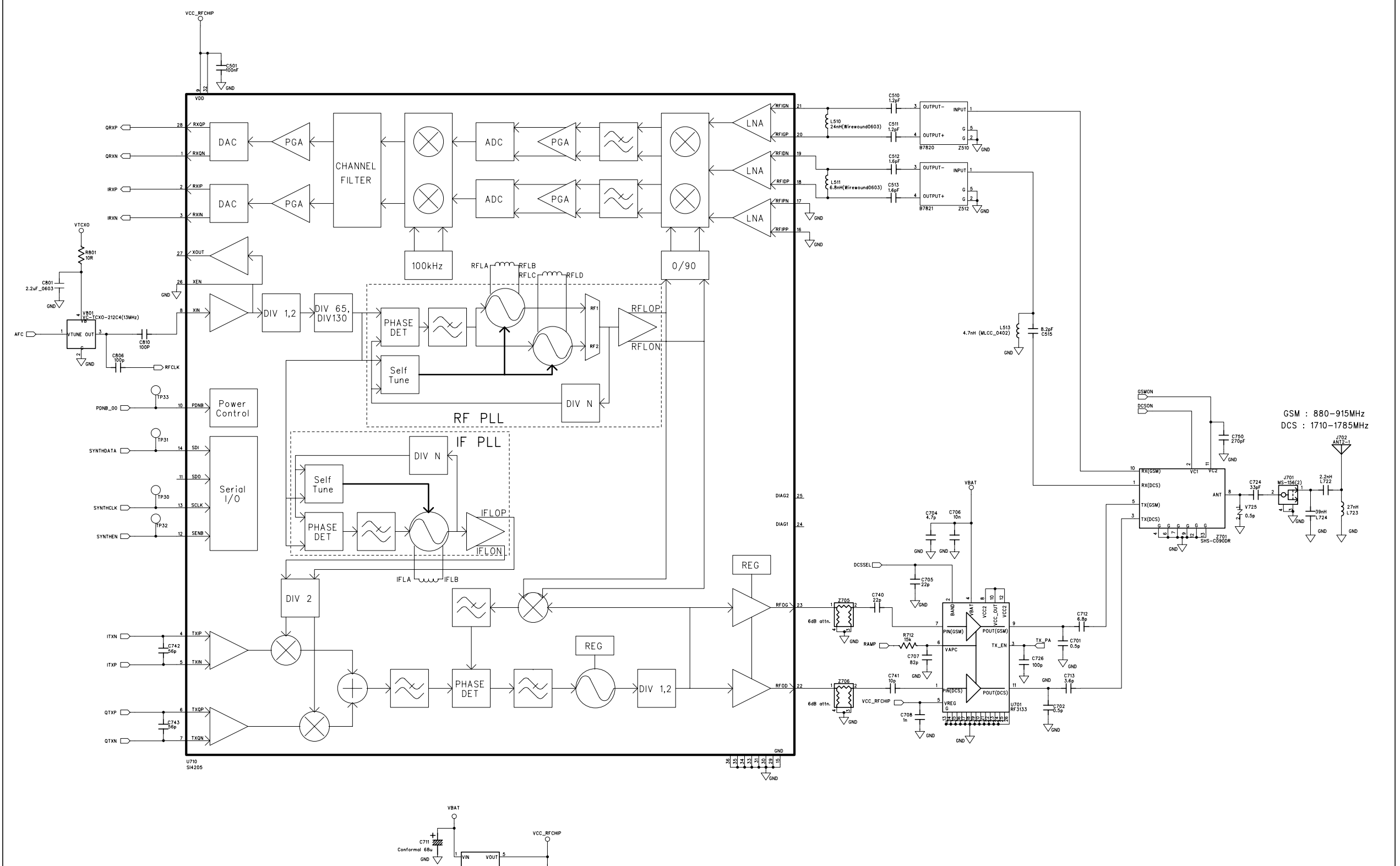
REVISIONS		
DATE	DESCRIPTION	APPR



MODEL	GSM-ZEUS	APPR.
BASEBAND MAIN CIRCUIT		CHECK.
		DESIG.
DWG.NO	REV0.4	DATE
PANTECH CORPORATION		SHEET 2 OF 3

DWG.NO

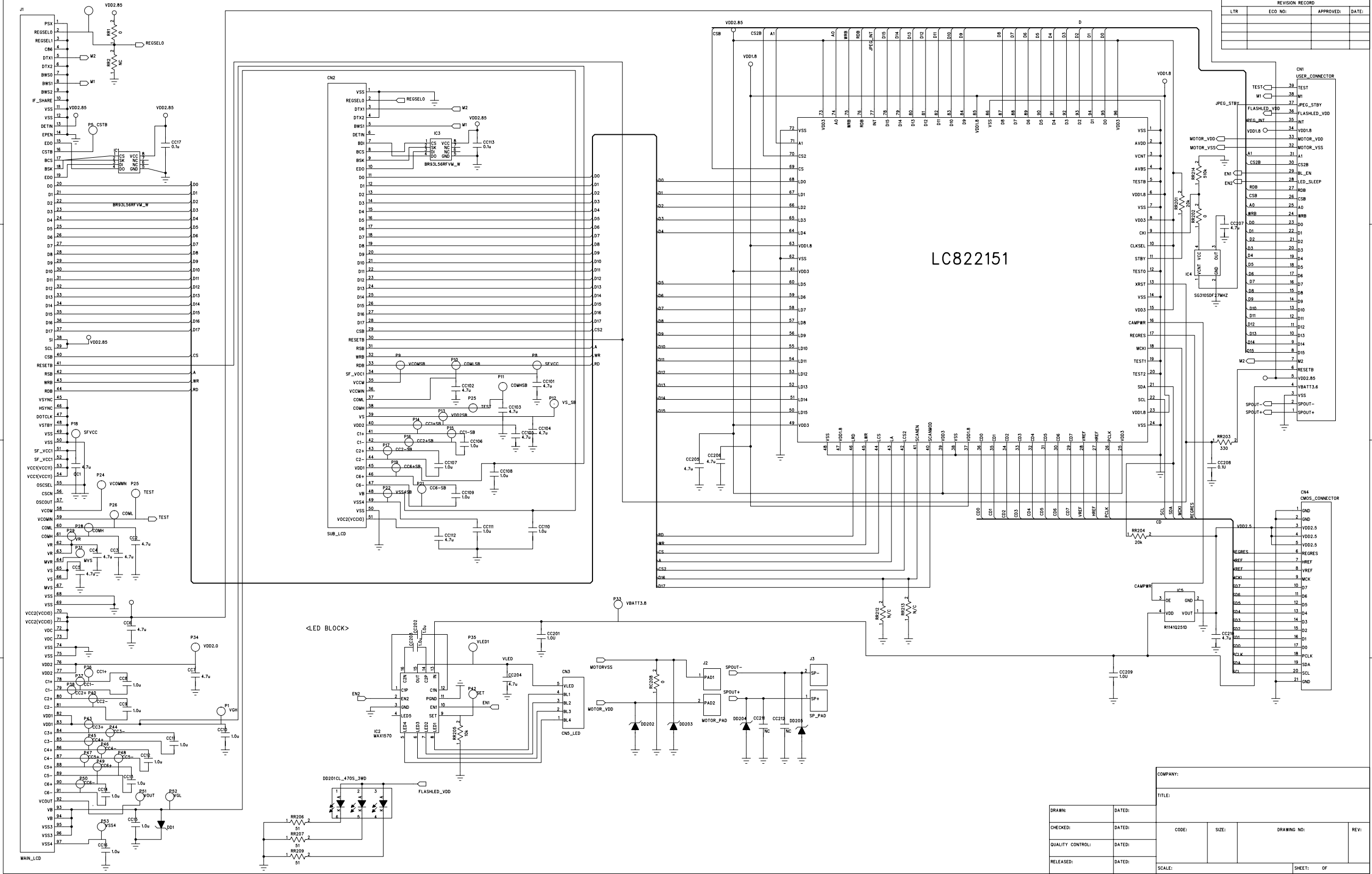
REVISIONS		
DATE	DESCRIPTION	APPR



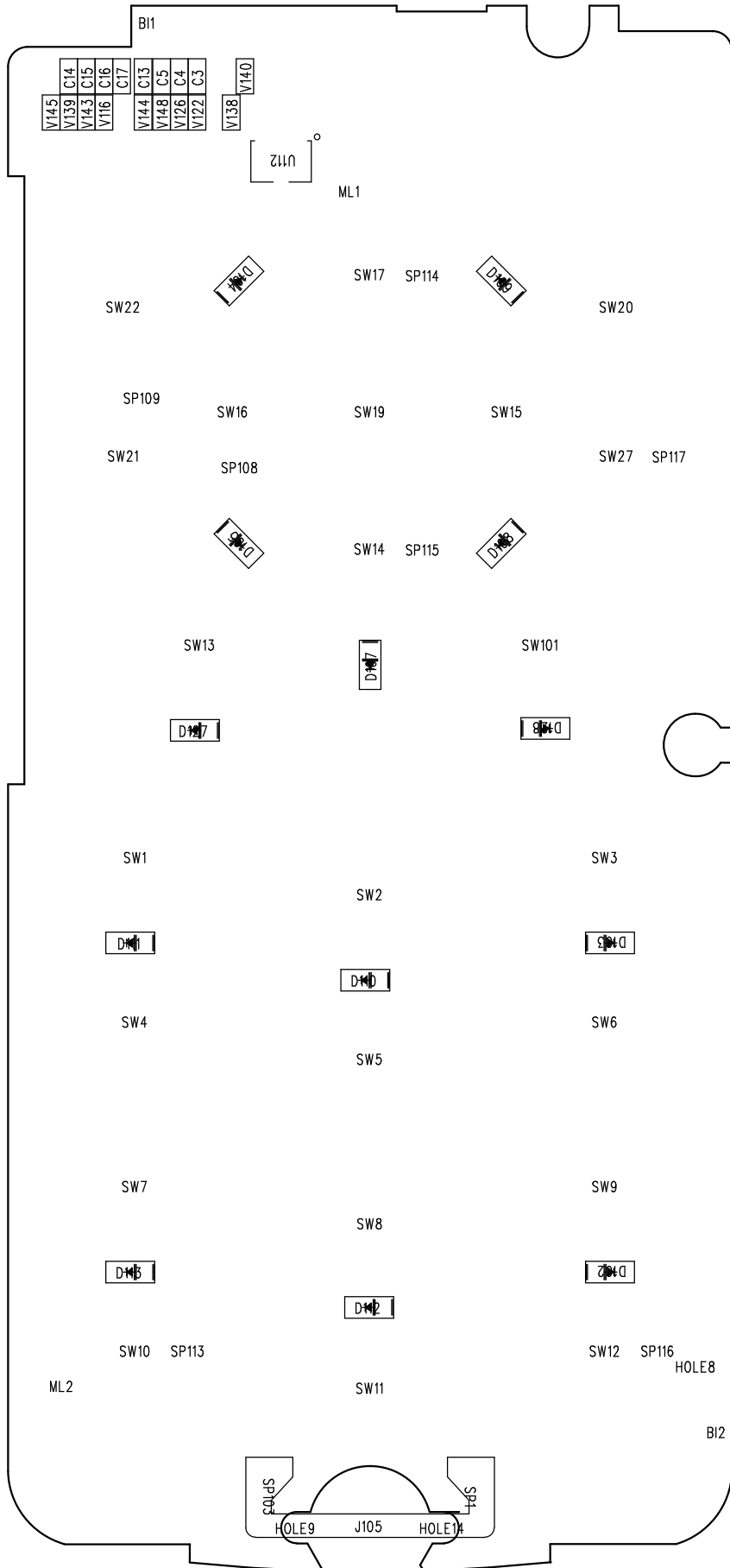
GSM : 880-915MHz  
DCS : 1710-1785MHz

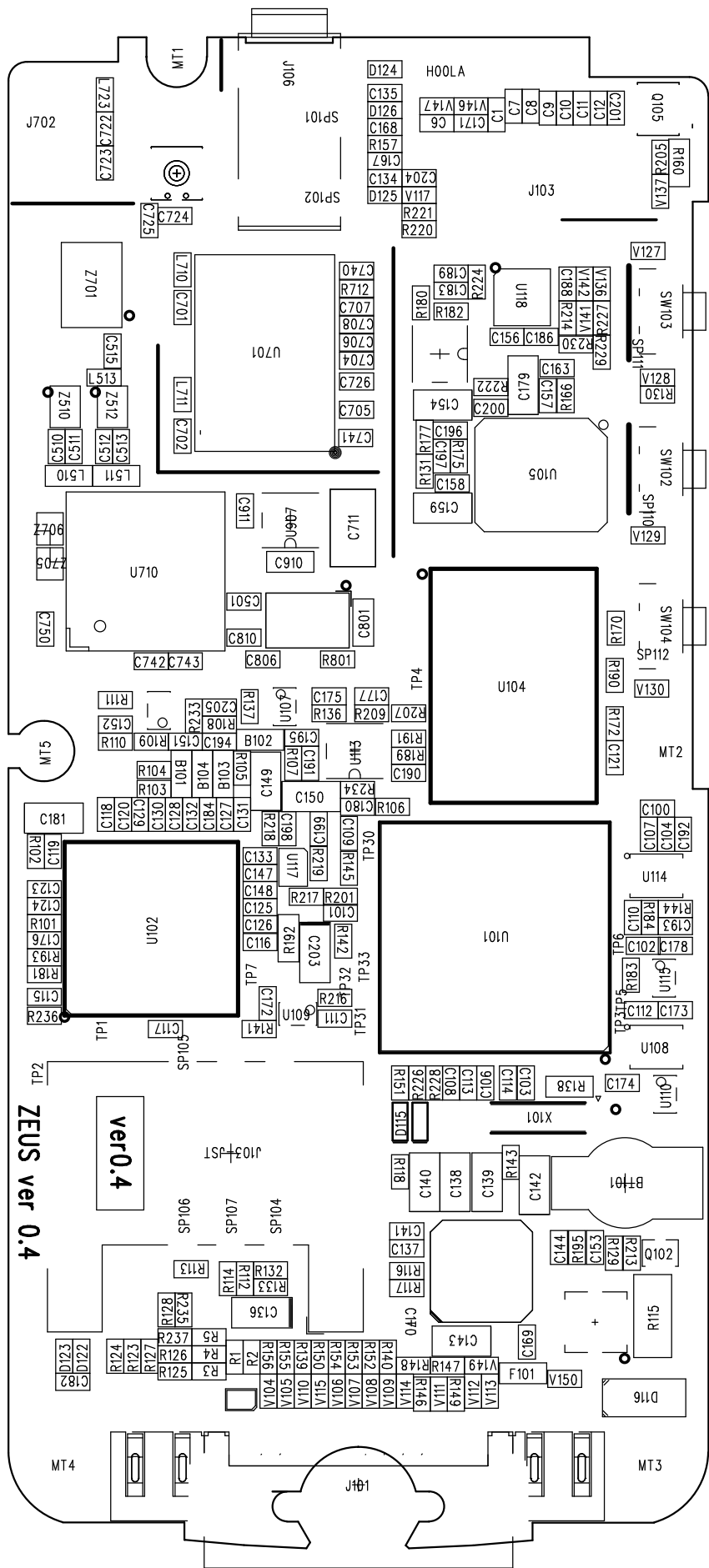
MODEL	GSM_Zeus	APPR.	
TITLE : RF MAIN CIRCUIT DIAGRAM		CHECK.	
		DESIG.	
		DRAW.	
DWG.NO	REV:0.1	DATE	2003/05/28
PANTECH CORPORATION		SHEET	1 OF 3

REVISION RECORD			
LTR	ECO NO:	APPROVED:	DATE:



DRAWN:		DATED:		COMPANY:	
CHECKED:		DATED:		TITLE:	
QUALITY CONTROL:		DATED:		CODE:	SIZE:
RELEASED:		DATED:		DRAWING NO:	REV:
SCALE:				SHEET: OF	





# SILKSCREEN BOTTOM