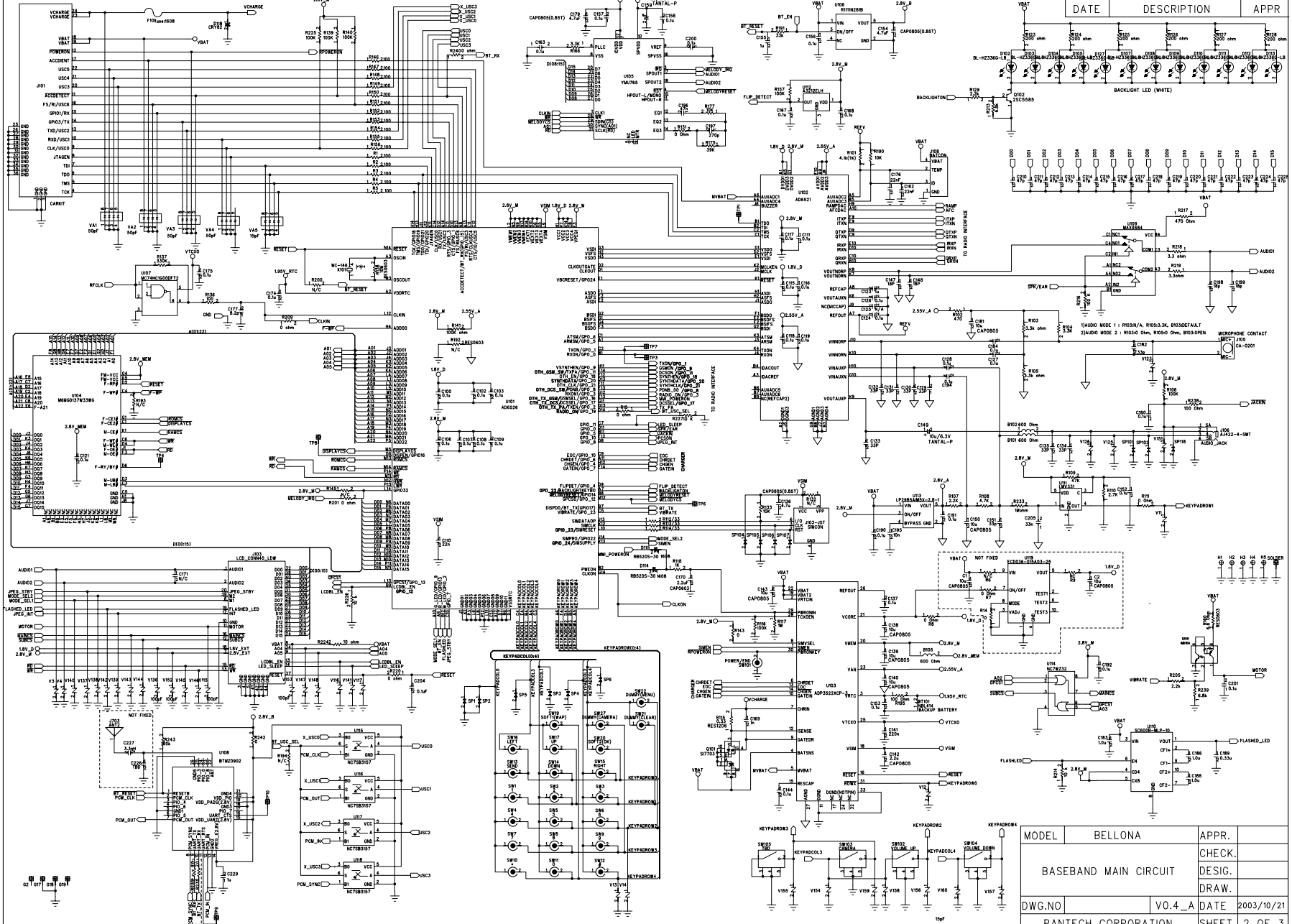


DWG.NO

REVISIONS

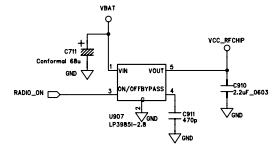
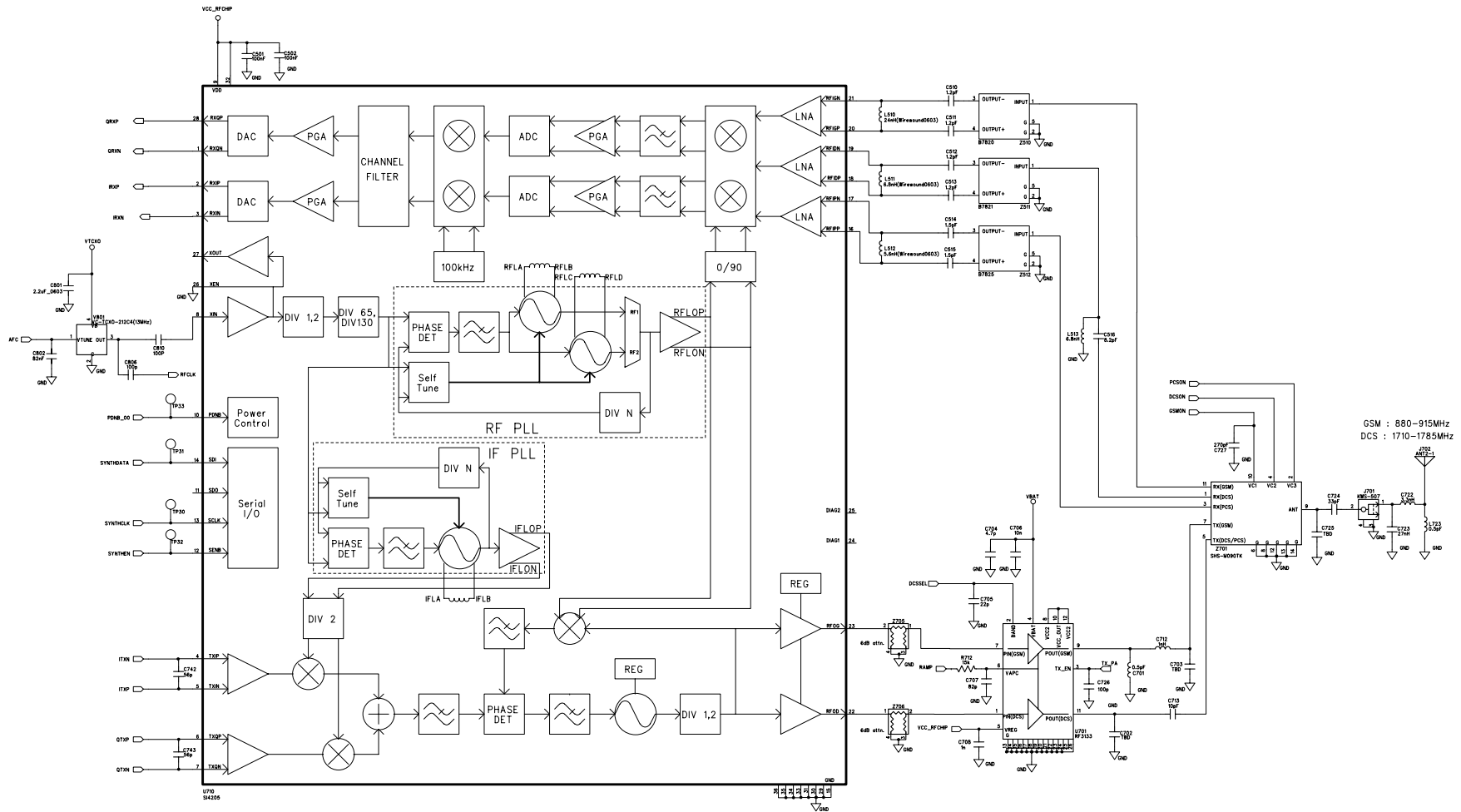
DATE	DESCRIPTION	APPR



MODEL	BELLONA	APPR.
BASEBAND MAIN CIRCUIT		CHECK.
		DESIG.
		DRAW.
DWG.NO	VO.4_A	DATE
PANTECH CORPORATION		SHEET 2 OF 3

Referenced by AM524

REVISIONS		
DATE	DESCRIPTION	APPR



MODEL	BELLONA	APPR.	
TITLE : RF MAIN CIRCUIT DIAGRAM		CHECK.	
		DESIGN.	
		DRAW.	
DWG.NO	REV:0.4	DATE	2003/09/01
PANTECH CORPORATION		SHEET	1 OF 3

