

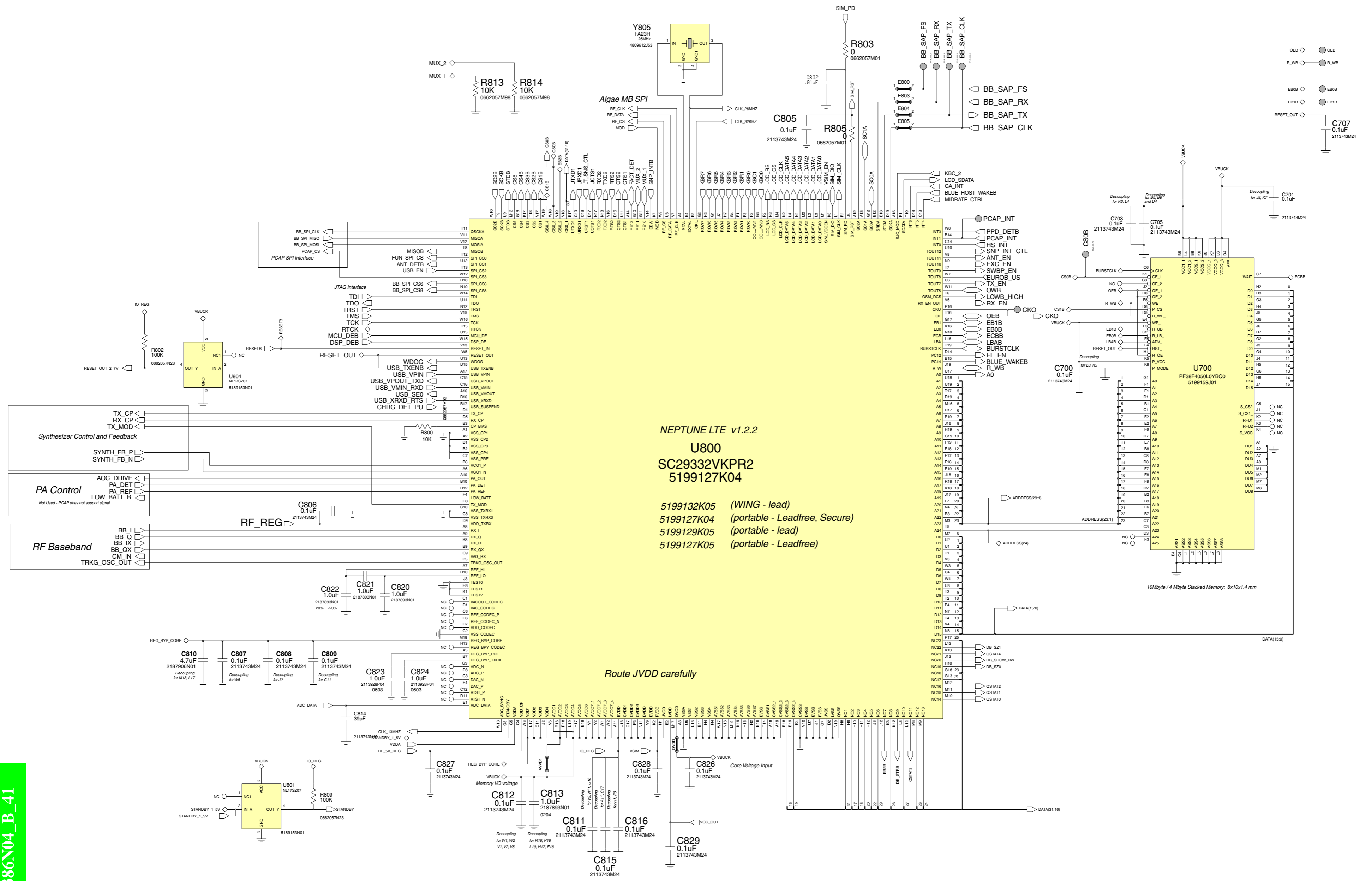
V3_8488386N04_B_41

Print @ 11x17; B size



REVISIONS		
Service Engineering & Optimization	2004.07.08	
Level 3 Schematics	Rev. L0	
V3	8488386N04_B_41	
Alexander Buchler, Michael Hansen		Page 1 of 6

V3_8488386N04_B_41



NEPTUNE LTE v1.2.2
U800
SC29332VKPR2
5199127K04

- 5199132K05 (WING - lead)
- 5199127K04 (portable - Leadfree, Secure)
- 5199129K05 (portable - lead)
- 5199127K05 (portable - Leadfree)

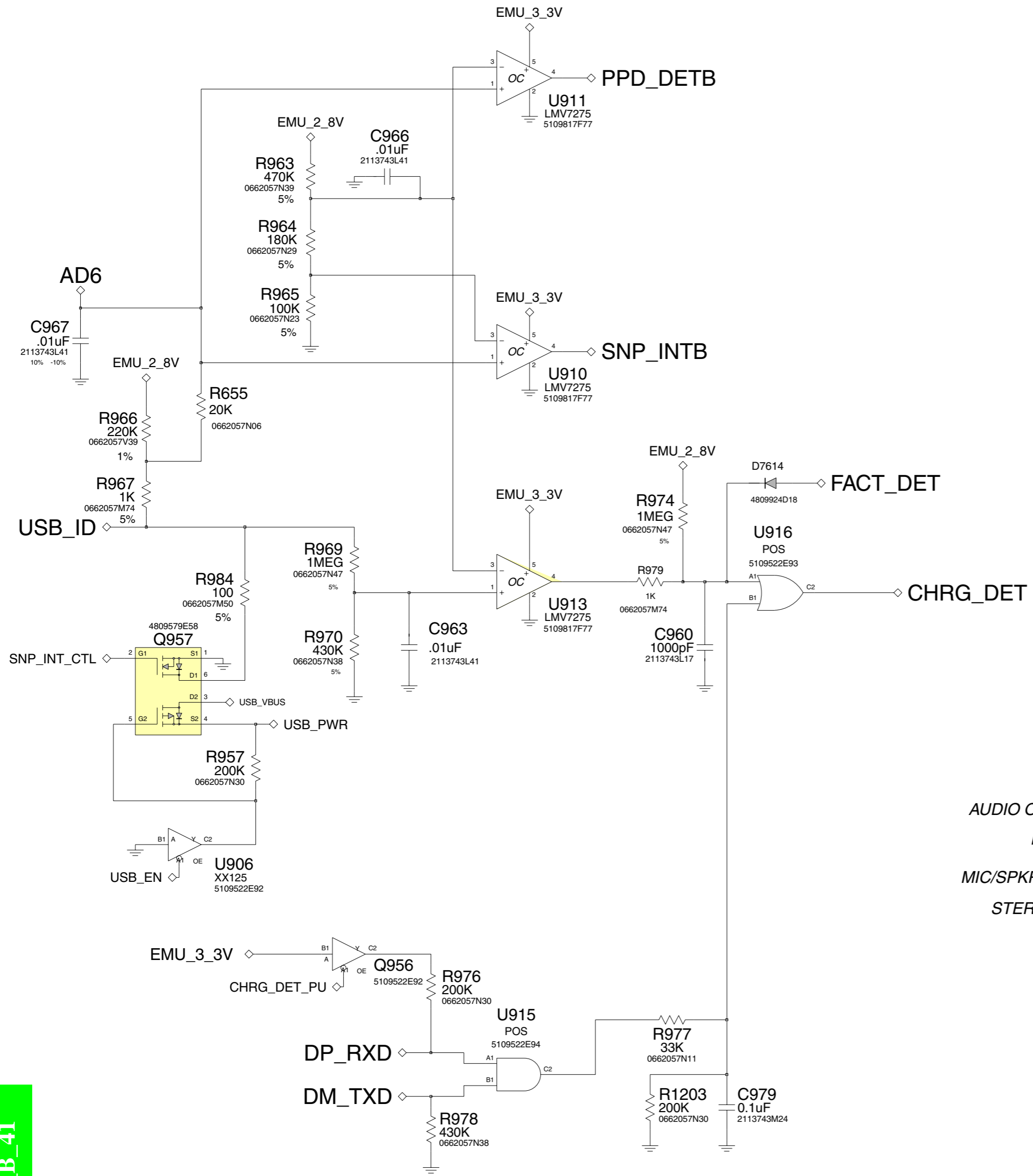
Route JVDD carefully

REVISIONS

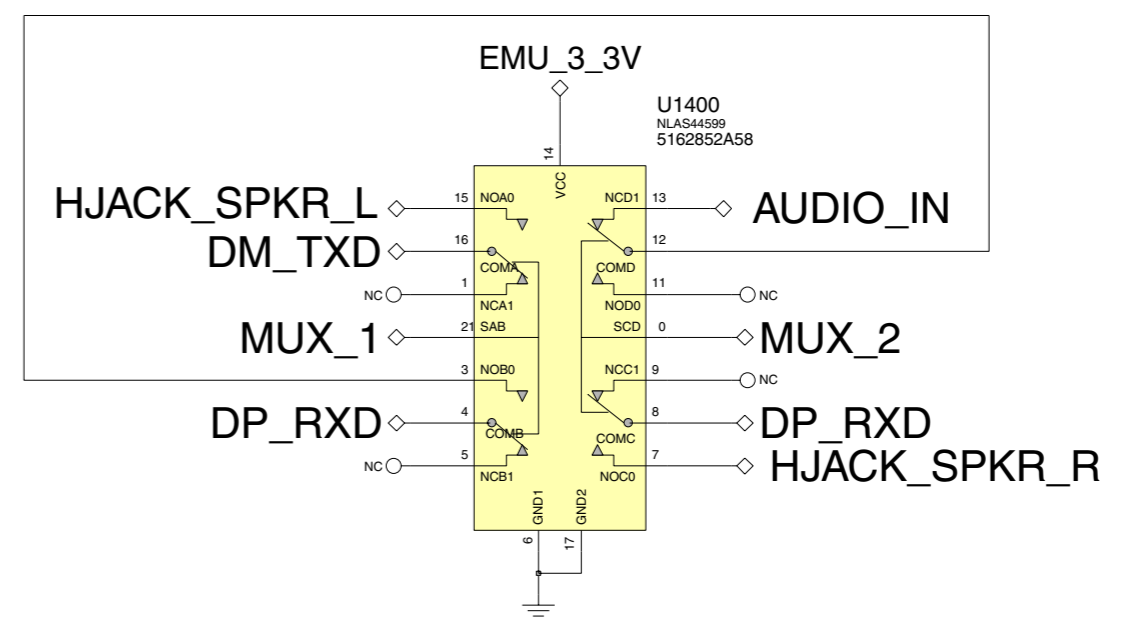
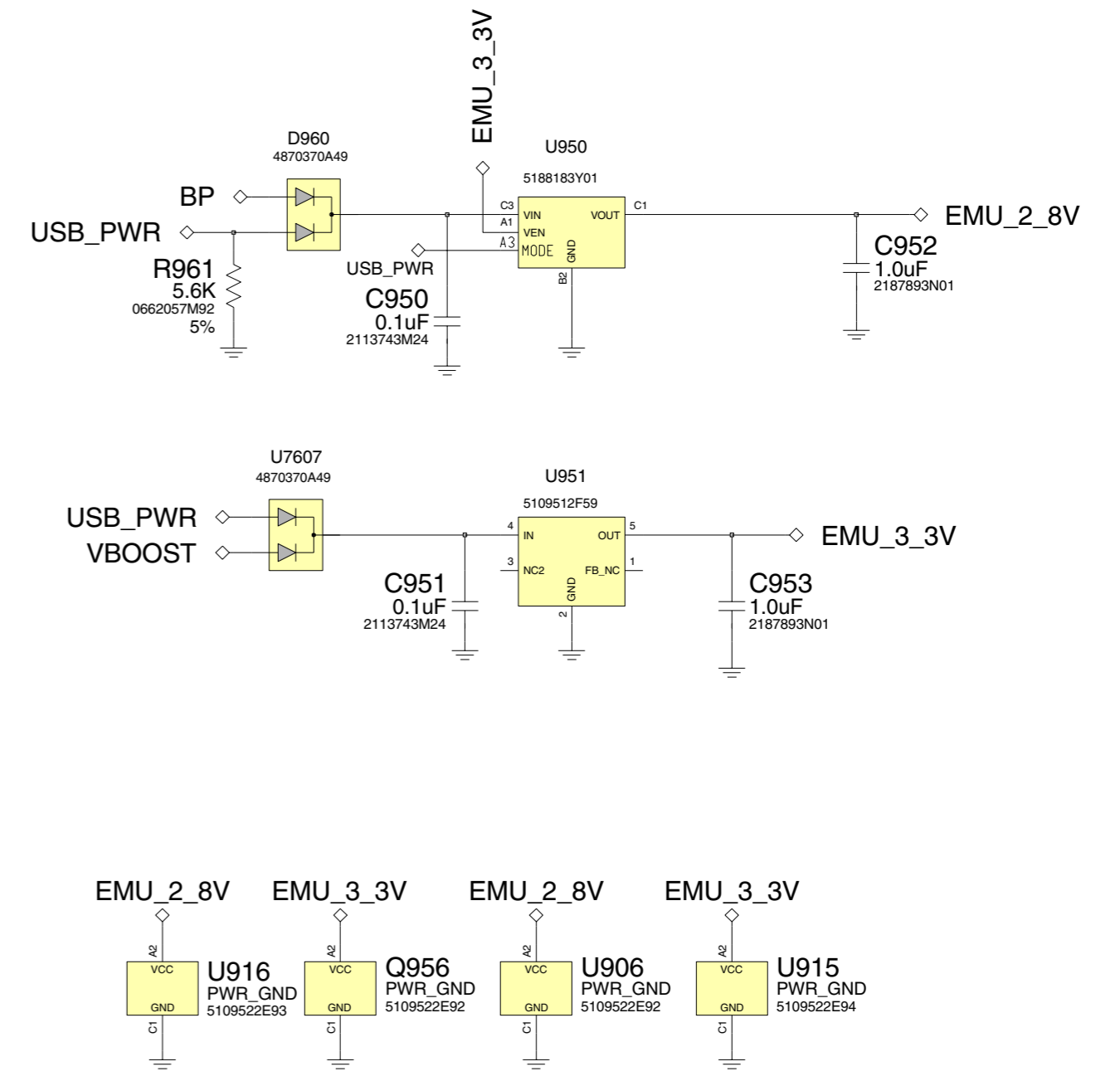
Service Engineering & Optimization	2004.07.08
Level 3 Schematics	Rev. 1.0
V3	8488386N04_B_41
Alexander Buchler, Michael Hansen	Page 2 of 6



V3_8488386N04_B_41



	MUX_1	MUX_2
AUDIO OFF	0	0
N/A	01	
MIC/SPKR_L	1	0
STEREO	1	1

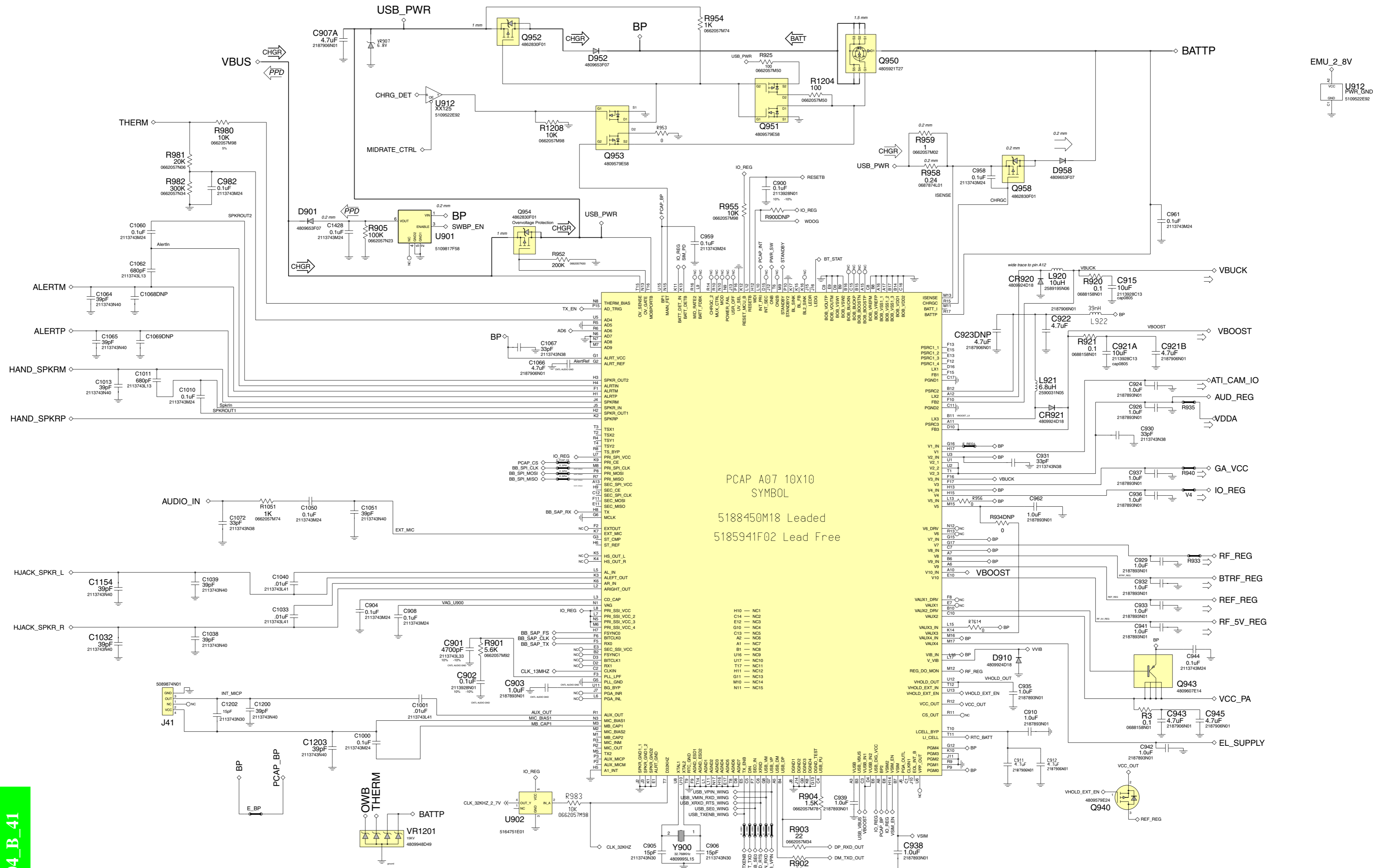


REVISIONS

Revision	Description	Date
Rev. 1.0	Service Engineering & Optimization	2004.07.08
V3	Level 3 Schematics	8488386N04_B_41
	Alexander Buehler, Michael Hansen	Page 3 of 6



V3_8488386N04_B_41

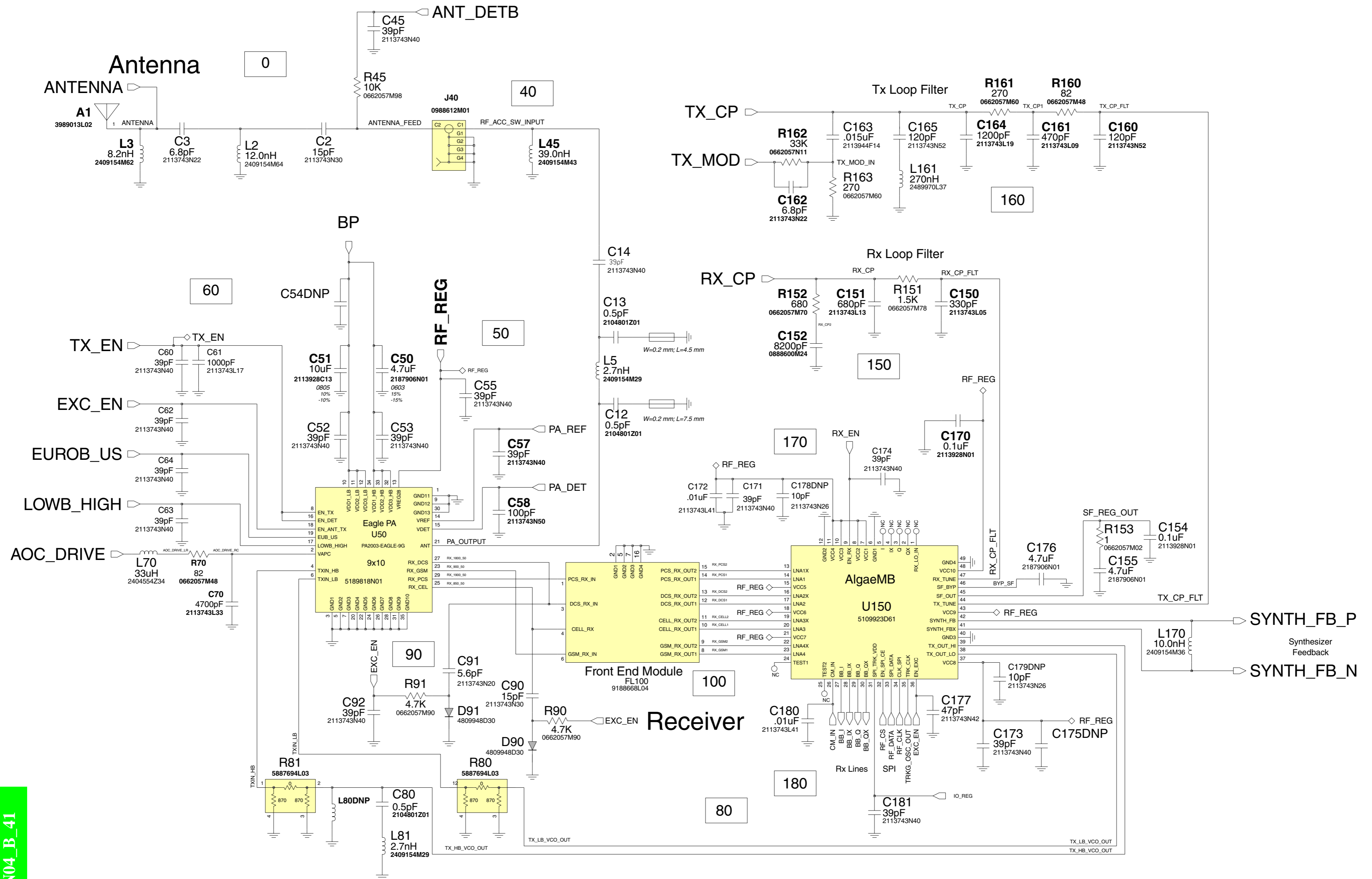


REVISIONS

Service Engineering & Optimization	2004.07.08
Level 3 Schematics	Rev. 1.0
V3	8488386N04_B_41
Alexander Buehler, Michael Hansen	Page 41 of 6

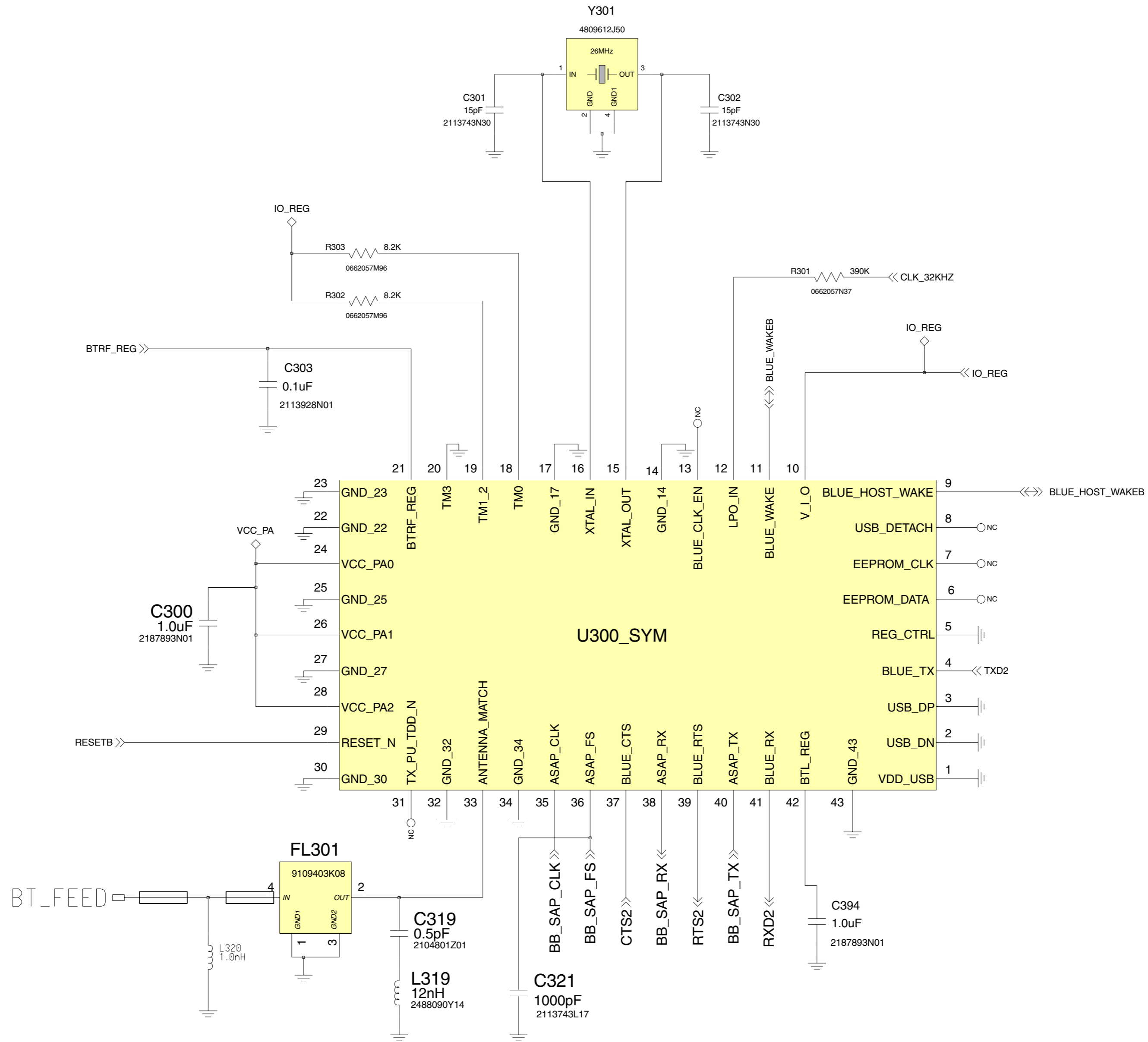


V3_8488386N04_B_41



REVISIONS

Revision	Description	Date
0	Service Engineering & Optimization	2004.07.08
1.0	Level 3 Schematics	Rev. 1.0
V3	8488386N04_B_41	
Alexander Buehler, Michael Hansen		Page 51 of 6



REVISIONS

Service Engineering & Optimization	2004.07.08
Level 3 Schematics	Rev. 1.0
V3	8488386N04_B_41
Alexander Buehler, Michael Hansen	Page 61 of 6