

iPhone 3GS Advanced Schematic By OM Tesla



iPhone 3GS 7/10/2009 REVA

PAGE	CONTENTS
02	RADIO AND AP SCHEMATIC INSTANTIATION

PART#	QTY	DESCRIPTION	REFERENCE DESIGNATOR(S)	CRITICAL	BOM OPTION
051-8004	1	N88_SCHEMATIC_TOP	SCH	Y	?
820-2580	1	N88_SINGLE_BOARD	PCB	Y	?
PROTO_RADIO	1	2G RF SOLUTION		Y	2G_RF
PROTO_RADIO	1	3G RF SOLUTION		Y	3G_RF
COMPASS	1	BOTTOM COMPASS LOCATION		Y	COMPASS_BOT
COMPASS	1	TOP COMPASS LOCATION		Y	COMPASS_TOP
JTAG	1	JTAG DEVELOPMENT BOM		Y	DEVELOPMENT
JTAG	1	JTAG PRODUCTION BOM		Y	PRODUCTION

BOARD - 820-2580
 SCHEMATIC - 051-8004
 MCO - 056-2731

BOM - 639-0065 (16GB+MURATA)
 BOM - 639-0066 (16GB+MITSUMI)
 BOM - 639-0067 (32GB+MURATA)
 BOM - 639-0068 (32GB+MITSUMI)

NAND BOM OPTIONS

PART#	QTY	DESCRIPTION	REFERENCE DESIGNATOR(S)	CRITICAL	BOM OPTION
335S0643	1	8GB HYNIX 48NM FLASH	U1_AP	Y	FLASH_8GB
335S0642	1	16GB SAMSUNG 42NM FLASH	U1_AP	Y	FLASH_16GB
335S0650	1	32GB SAMSUNG 43NM FLASH	U1_AP	Y	FLASH_32GB

NAND ALTERNATES

PART NUMBER	ALTERNATE FOR PART NUMBER	BOM OPTION	REF DES	COMMENTS:
335S0637	335S0598	FLASH_8GB	U1_AP	8GB SAMSUNG 42NM FLASH
		?		

DEV FUSED BB BOM OPTION

PART#	QTY	DESCRIPTION	REFERENCE DESIGNATOR(S)	CRITICAL	BOM OPTION
998-2348	1	DEV FUSED BB	U22_RF	Y	DEV_FUSED_BB

N88 EEE BOM LABELS

PART#	QTY	DESCRIPTION	REFERENCE DESIGNATOR(S)	CRITICAL	BOM OPTION
825-2029	1	EEE FOR 639-0066 (16G)	EEE:8DL	Y	EEE_16GB_MURATA
825-2029	1	EEE FOR 639-0067 (16G)	EEE:8DM	Y	EEE_16GB_MITSUMI
825-2029	1	EEE FOR 639-0068 (32G)	EEE:8DN	Y	EEE_32GB_MURATA
825-2029	1	EEE FOR 639-0069 (32G)	EEE:8DP	Y	EEE_32GB_MITSUMI

SIM CONNECTOR ALTERNATE

PART NUMBER	ALTERNATE FOR PART NUMBER	BOM OPTION	REF DES	COMMENTS:
512S0069	512S0060	?	J2_AP	SIM CONNECTOR
512S0070	512S0060	?	J2_AP	SIM CONNECTOR

WIFI/BT BOM OPTIONS

PART#	QTY	DESCRIPTION	REFERENCE DESIGNATOR(S)	CRITICAL	BOM OPTION
339S0072	1	MURATA WIFI/BT MODULE	U6_RF	Y	MURATA
339S0077	1	MITSUMI WIFI/BT MODULE	U6_RF	Y	MITSUMI
118S0012	1	MURATA ID RESISTOR	R61_RF	Y	MURATA
118S0012	1	MITSUMI ID RESISTOR	R6_RF	Y	MITSUMI

GPS TCXO BOM OPTIONS

PART#	QTY	DESCRIPTION	REFERENCE DESIGNATOR(S)	CRITICAL	BOM OPTION
197S0290	1	KDS TCXO	G3_RF	Y	KDS_GPS_TCXO
197S0333	1	EPSON TCXO	G3_RF	Y	EPSON_GPS_TCXO

VIDEO AMP ALTERNATE

PART NUMBER	ALTERNATE FOR PART NUMBER	BOM OPTION	REF DES	COMMENTS:
353S1625	353S1650	?	U14_AP	VIDEO AMP

DISPLAY DC-DC ALTERNATE

PART NUMBER	ALTERNATE FOR PART NUMBER	BOM OPTION	REF DES	COMMENTS:
353S1989	353S2529	?	U20_AP	LCM DC-DC

ZIF CONNECTOR ALTERNATE

PART NUMBER	ALTERNATE FOR PART NUMBER	BOM OPTION	REF DES	COMMENTS:
518S0611	518S0600	?	J7_AP	ALS ZIF CONN

26 MHZ ALTERNATE

PART NUMBER	ALTERNATE FOR PART NUMBER	BOM OPTION	REF DES	COMMENTS:
197S0255	197S0275	?	G2_RF	RF 26 MHZ CLK

BAND 2 PA

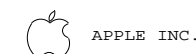
PART#	QTY	DESCRIPTION	REFERENCE DESIGNATOR(S)	CRITICAL	BOM OPTION
353S2363	1	BAND 2 PA, IPX	U37_RF	Y	IPX_BAW
353S2522	1	BAND 2 PA, TRIQUINT	U37_RF	Y	TQNT_BAW

RF DDR MEMORY

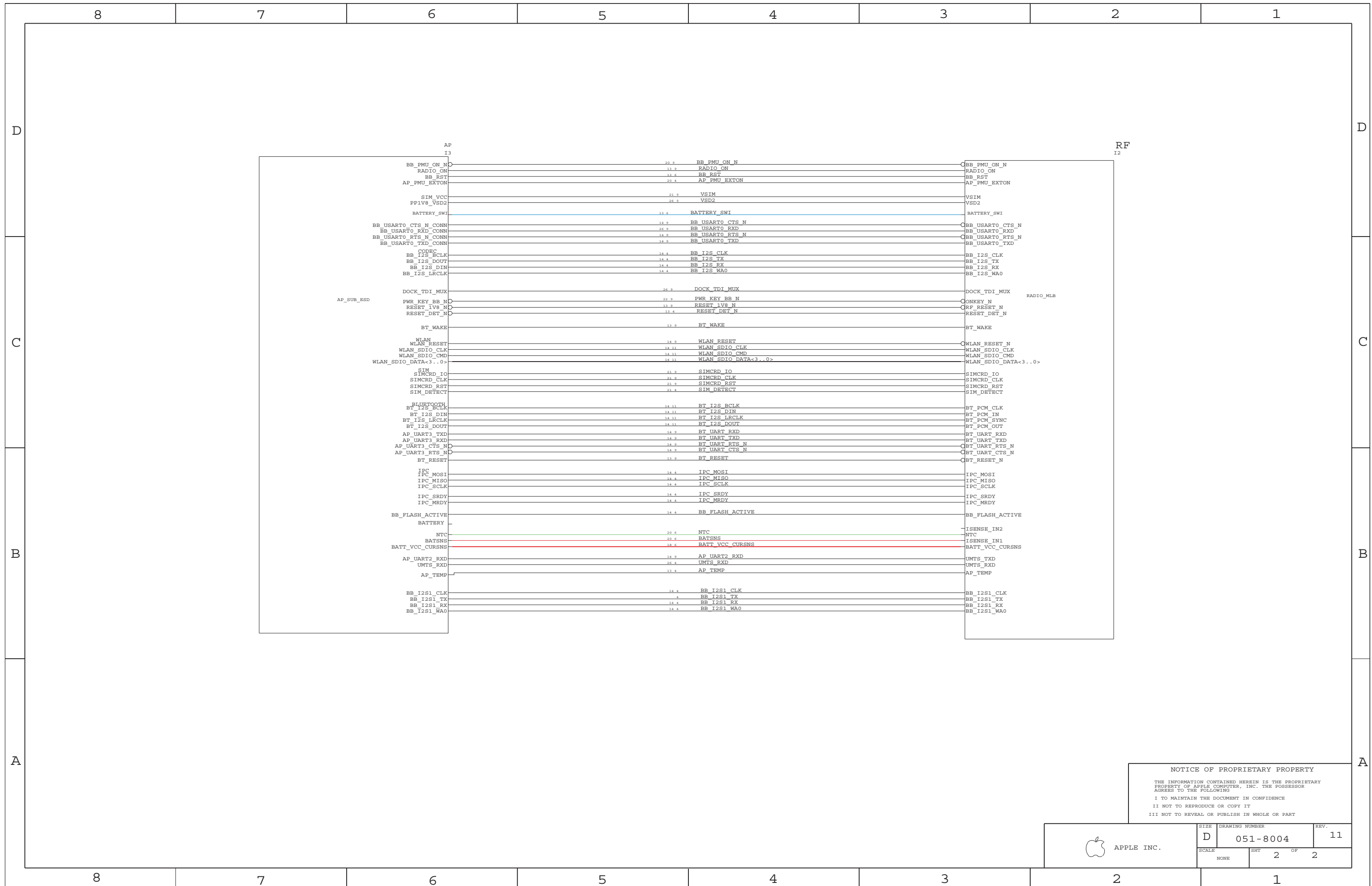
PART#	QTY	DESCRIPTION	REFERENCE DESIGNATOR(S)	CRITICAL	BOM OPTION
335S0617	1	SPANSION DDR	U1_RF	Y	RF_SPANSION
335S0652	1	NUMONYX DDR	U1_RF	Y	RF_NUMONYX
335S0632	1	SAMSUNG DDR	U1_RF	Y	RF_SAMSUNG
341S2474	1	ALL SUPPLIER SUB-BOM DDR	U1_RF	Y	RF_PROGRAMMED_BASEBAND_MEMORY

NOTICE OF PROPRIETARY PROPERTY


THE INFORMATION CONTAINED HEREIN IS THE PROPRIETARY PROPERTY OF APPLE COMPUTER, INC. THE POSSESSOR AGREES TO THE FOLLOWING
 I TO MAINTAIN THE DOCUMENT IN CONFIDENCE
 II NOT TO REPRODUCE OR COPY IT
 III NOT TO REVEAL OR PUBLISH IN WHOLE OR PART



SIZE	DRAWING NUMBER	REV.
D	051-8004	11
SCALE	SHT	OF
NONE	1	2



NOTICE OF PROPRIETARY PROPERTY
 THE INFORMATION CONTAINED HEREIN IS THE PROPRIETARY PROPERTY OF APPLE COMPUTER, INC. THE POSSESSOR AGREES TO THE FOLLOWING
 I TO MAINTAIN THE DOCUMENT IN CONFIDENCE
 II NOT TO REPRODUCE OR COPY IT
 III NOT TO REVEAL OR PUBLISH IN WHOLE OR PART

 APPLE INC.	SIZE	DRAWING NUMBER	REV.
	D	051-8004	11
SCALE	SHT 2 OF 2		
NONE			

iPhone 3GS (ICE2.1) HSDPA RADIO


06/23/09(A):BRD

PAGE	CONTENTS
02	BASEBAND
03	BASEBAND + MEMORY
04	BASEBAND PMU
05	GSM & UMTS TRANSCEIVER
06	POWER AMPS AND RF FRONT END
07	SYSTEM CONNECTORS
08	A-GPS
09	WLAN AND BLUETOOTH RADIO

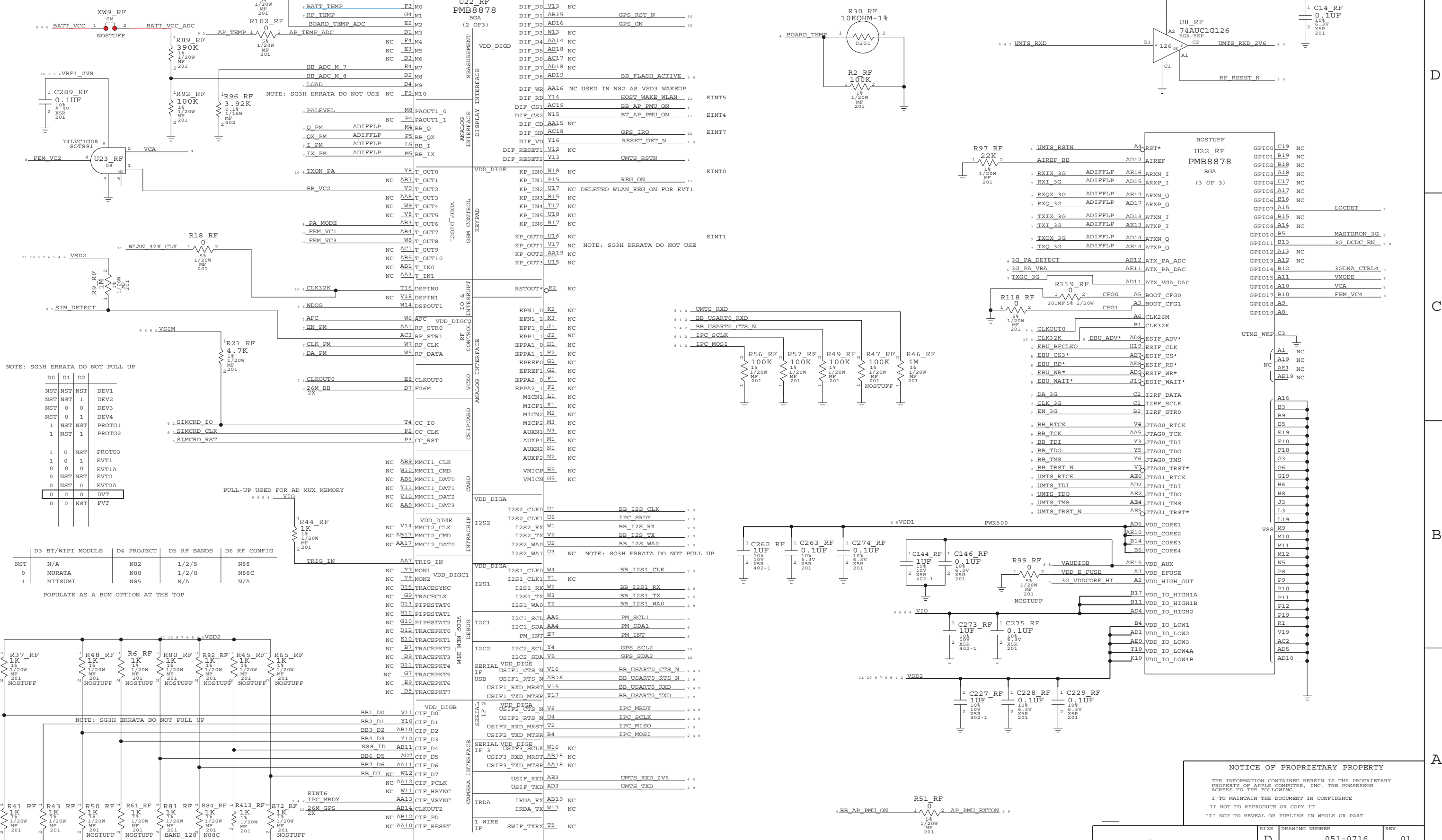
BOARD - 920-0593
 SCHEMATIC - 951-0716
 BOM - 630-9356

PART#	QTY	DESCRIPTION	REFERENCE DESIGNATOR(S)	CRITICAL	BOM OPTION
951-0716	1	N82_RF_AND_AP_SCHEMATIC	SCH	Y	
920-0593	1	N82_RF_AND_AP_PCB	PCB	Y	
825-2029	1	EEE: Y5K(8GB), YEU(16GB)	EEE:Y5K	Y	

NOTICE OF PROPRIETARY PROPERTY
 THE INFORMATION CONTAINED HEREIN IS THE PROPRIETARY PROPERTY OF APPLE COMPUTER, INC. THE POSSESSOR AGREES TO THE FOLLOWING
 I TO MAINTAIN THE DOCUMENT IN CONFIDENCE
 II NOT TO REPRODUCE OR COPY IT
 III NOT TO REVEAL OR PUBLISH IN WHOLE OR PART

 APPLE INC.	SIZE D	DRAWING NUMBER 051-0716	REV. 01
	SCALE NONE	SHIT 1 OF 9	

BASEBAND



NOTE: SG3H ERRATA DO NOT PULL UP

D0	D1	D2	
NST	NST	NST	DEV1
NST	0	1	DEV2
NST	0	0	DEV3
NST	0	1	DEV4
1	NST	NST	PROTO1
1	NST	1	PROTO2
1	0	NST	PROTO3
1	0	1	EVT1
0	0	0	EVT1A
0	NST	NST	EVT2
0	NST	0	EVT2A
0	0	0	DVT
0	0	NST	FVT

D3	BT/WIFI MODULE	D4	PROJECT	D5	RF BANDS	D6	RF CONFIG
NST	N/A	N82	N88	1/2/5	N88		
0	MURATA	N88	N88C	1/2/8	N88C		
1	MITSUMI	N85	N/A	N/A	N/A		

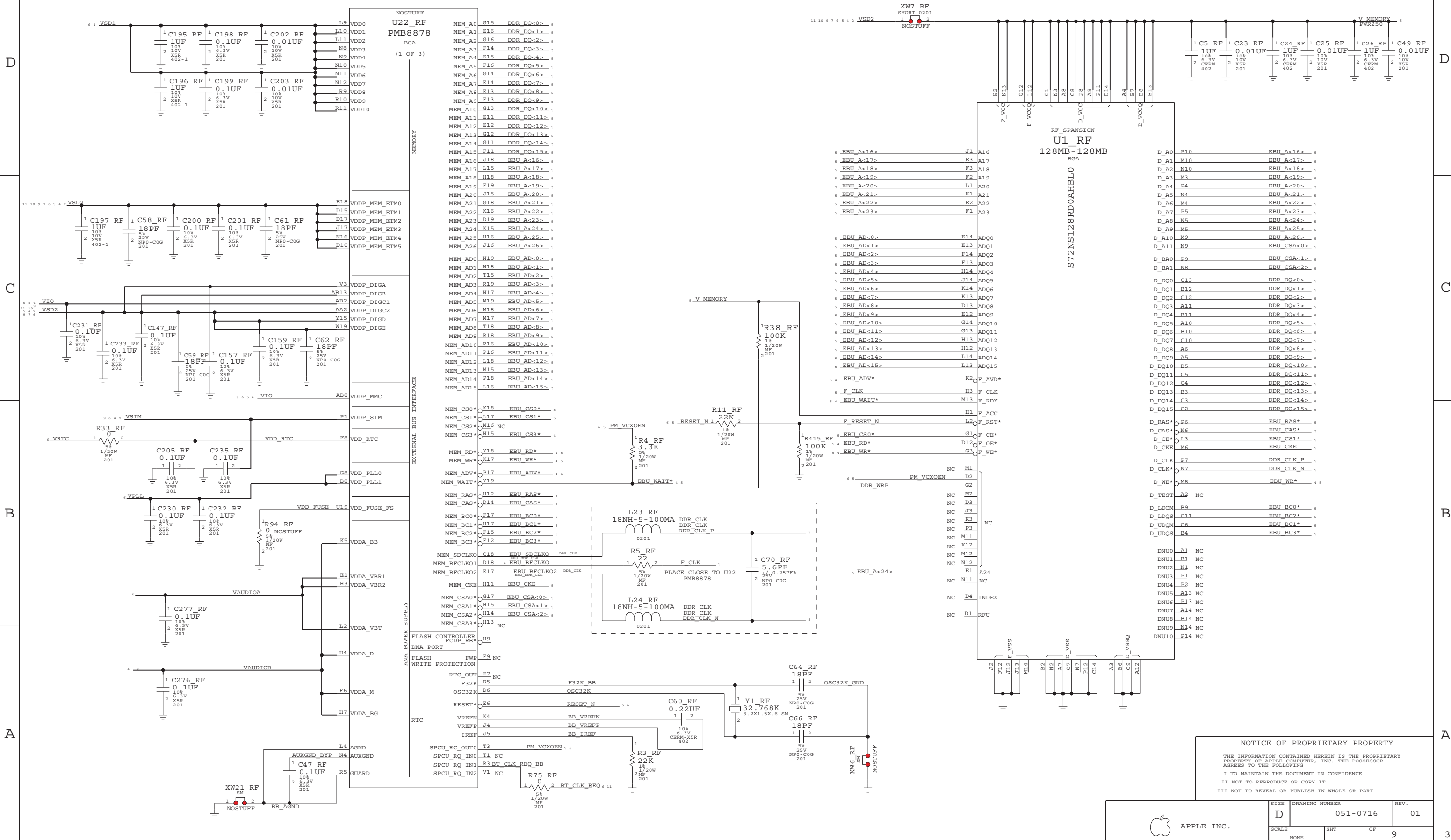
POPULATE AS A BOM OPTION AT THE TOP

NOTE: SG3H ERRATA DO NOT PULL UP

NOTICE OF PROPRIETARY PROPERTY
 THE INFORMATION CONTAINED HEREIN IS THE PROPRIETARY PROPERTY OF APPLE COMPUTER, INC. THE POSSESSOR AGREES TO THE FOLLOWING:
 I TO MAINTAIN THE DOCUMENT IN CONFIDENCE
 II NOT TO REPRODUCE OR COPY IT
 III NOT TO REVEAL OR PUBLISH IN WHOLE OR PART

BASEBAND/RADIO MEM

NOR/DDR MCP STACK

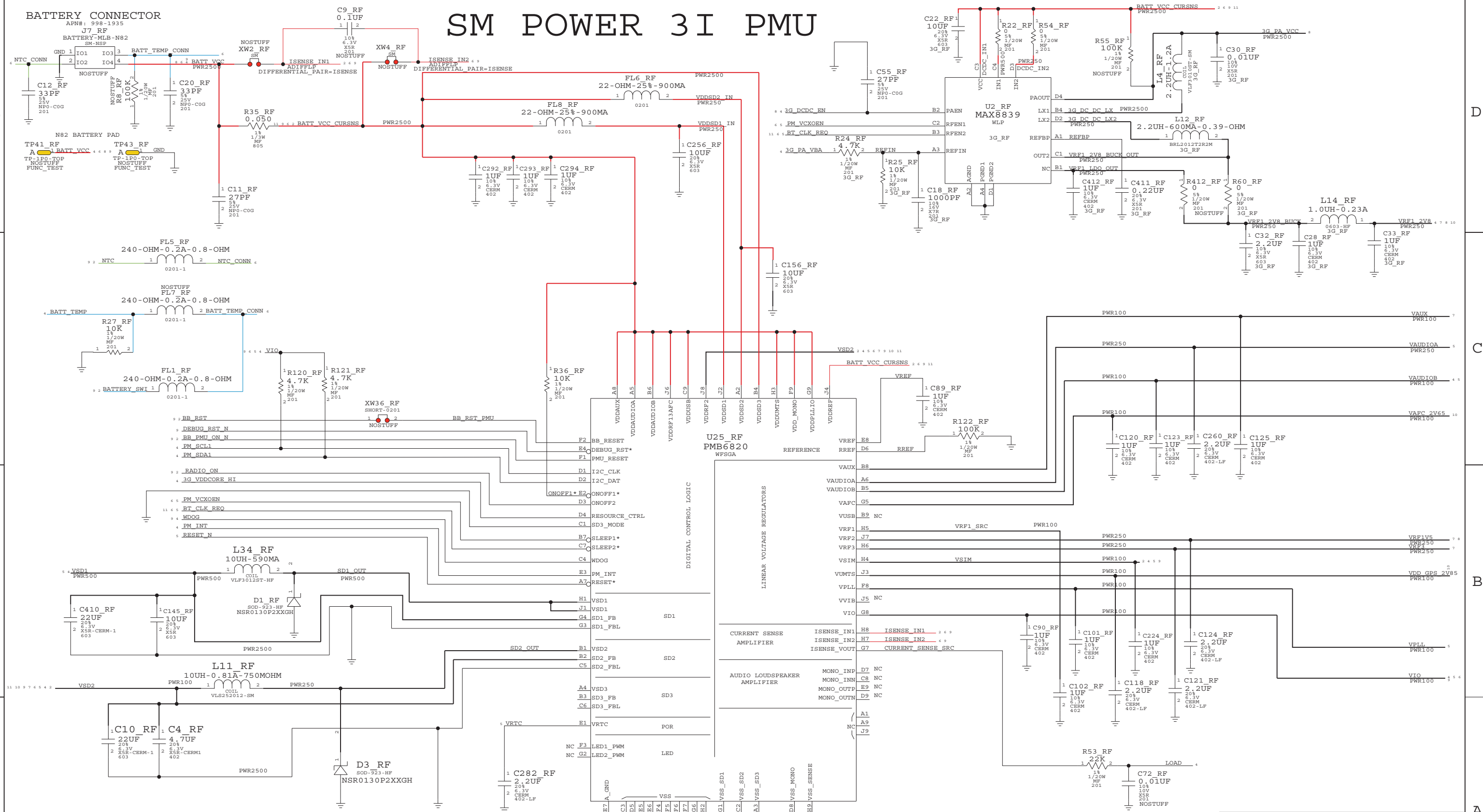


NOTICE OF PROPRIETARY PROPERTY
THE INFORMATION CONTAINED HEREIN IS THE PROPRIETARY PROPERTY OF APPLE COMPUTER, INC. THE POSSESSOR AGREES TO THE FOLLOWING:
I TO MAINTAIN THE DOCUMENT IN CONFIDENCE
II NOT TO REPRODUCE OR COPY IT
III NOT TO REVEAL OR PUBLISH IN WHOLE OR PART

SM POWER 3I PMU

BATTERY CONNECTOR

APN#: 998-1935
J7_RF
BATTERY-MLB-N82
SM-NSP

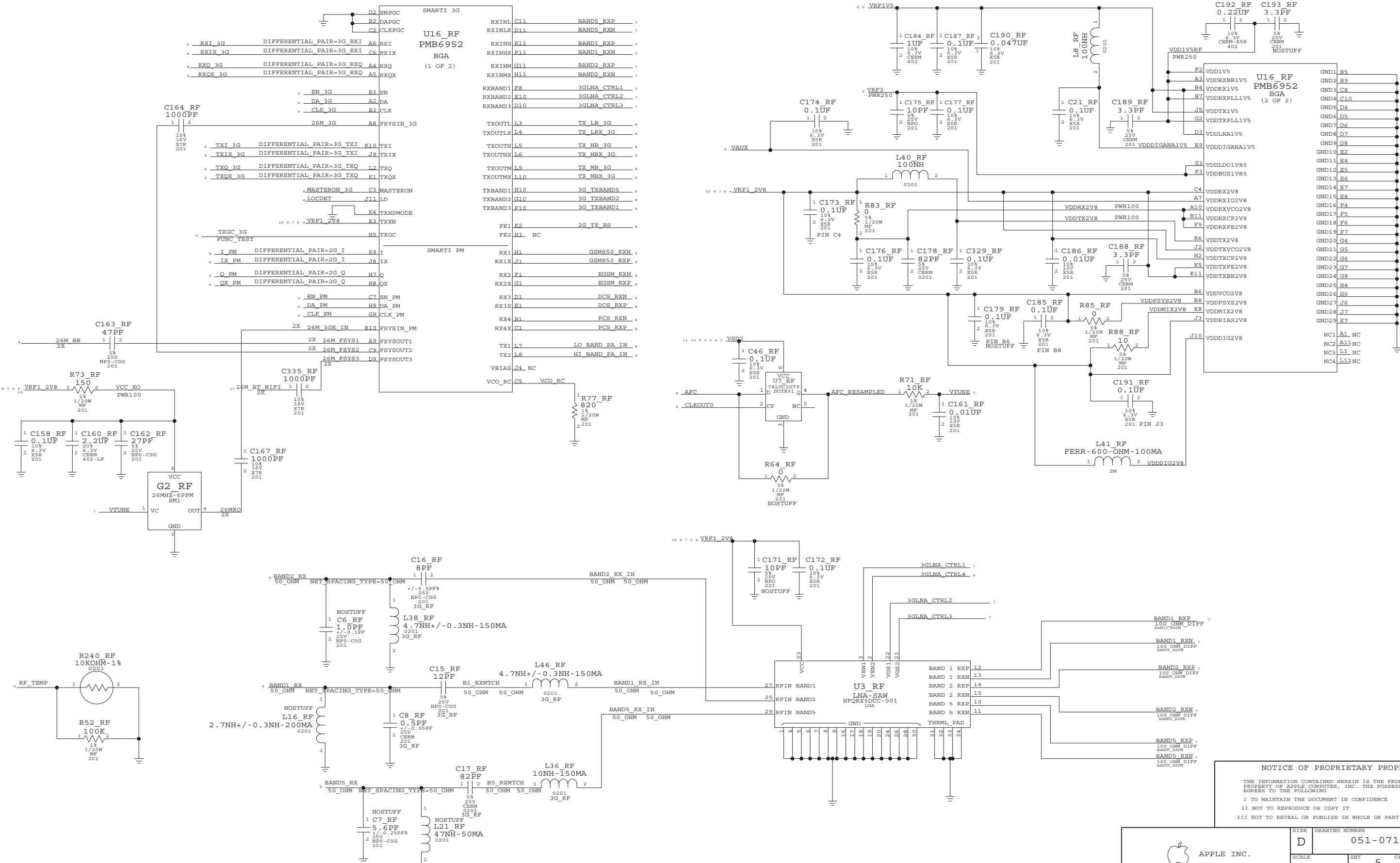


NOTICE OF PROPRIETARY PROPERTY
THE INFORMATION CONTAINED HEREIN IS THE PROPRIETARY PROPERTY OF APPLE COMPUTER, INC. THE POSSESSOR AGREES TO THE FOLLOWING:
I TO MAINTAIN THE DOCUMENT IN CONFIDENCE
II NOT TO REPRODUCE OR COPY IT
III NOT TO REVEAL OR PUBLISH IN WHOLE OR PART

APPLE INC.	SIZE	DRAWING NUMBER	REV.
	D	051-0716	01
SCALE	SHT	OF	
NONE	4	9	

GSM & UMTS TRANSCIEVER - SMARTI 3GE

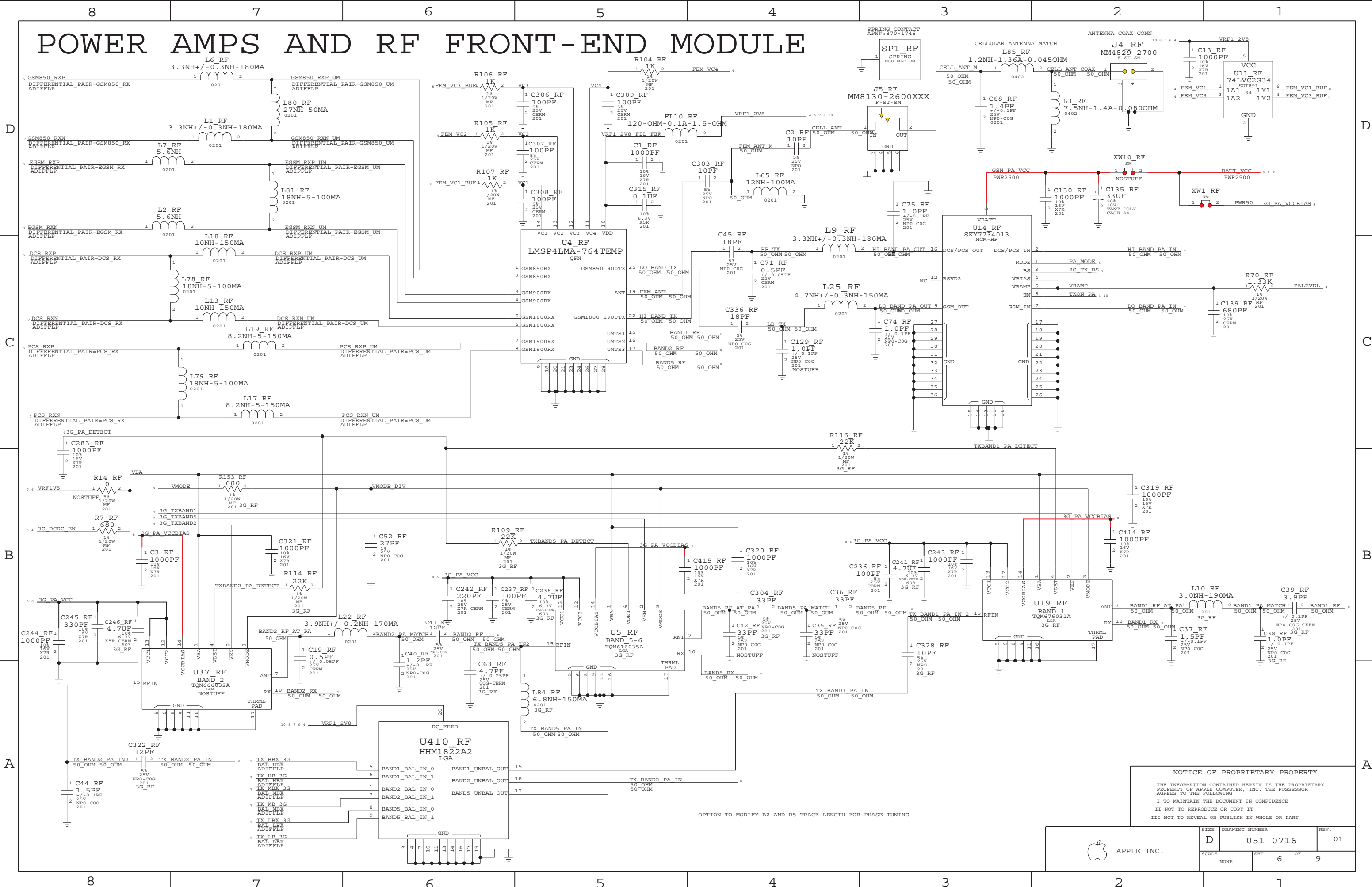
SMARTI3GE SUPPLIES



NOTICE OF PROPRIETARY PROPERTY
 THE INFORMATION CONTAINED HEREIN IS THE PROPRIETARY PROPERTY OF APPLE COMPUTER, INC. THE POSSESSOR AGREES TO THE FOLLOWING:
 I TO MAINTAIN THE DOCUMENT IN CONFIDENCE
 II NOT TO REPRODUCE OR COPY IT
 III NOT TO REVEAL OR PUBLISH IN WHOLE OR PART

APPLE INC.	SIZE	DRAWING NUMBER	REV.
	D	051-0716	01
SCALE	NONE	SHT	5 OF 9

POWER AMPS AND RF FRONT-END MODULE



NOTICE OF PROPRIETARY PROPERTY
 THE INFORMATION CONTAINED HEREIN IS THE PROPRIETARY PROPERTY OF APPLE COMPUTER, INC. THE POSSESSOR AGREES TO THE FOLLOWING:
 I TO MAINTAIN THE DOCUMENT IN CONFIDENCE
 II NOT TO REPRODUCE OR COPY IT
 III NOT TO REVEAL OR PUBLISH IN WHOLE OR PART

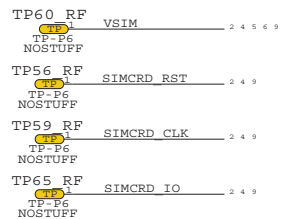
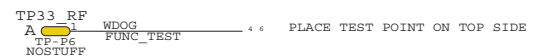
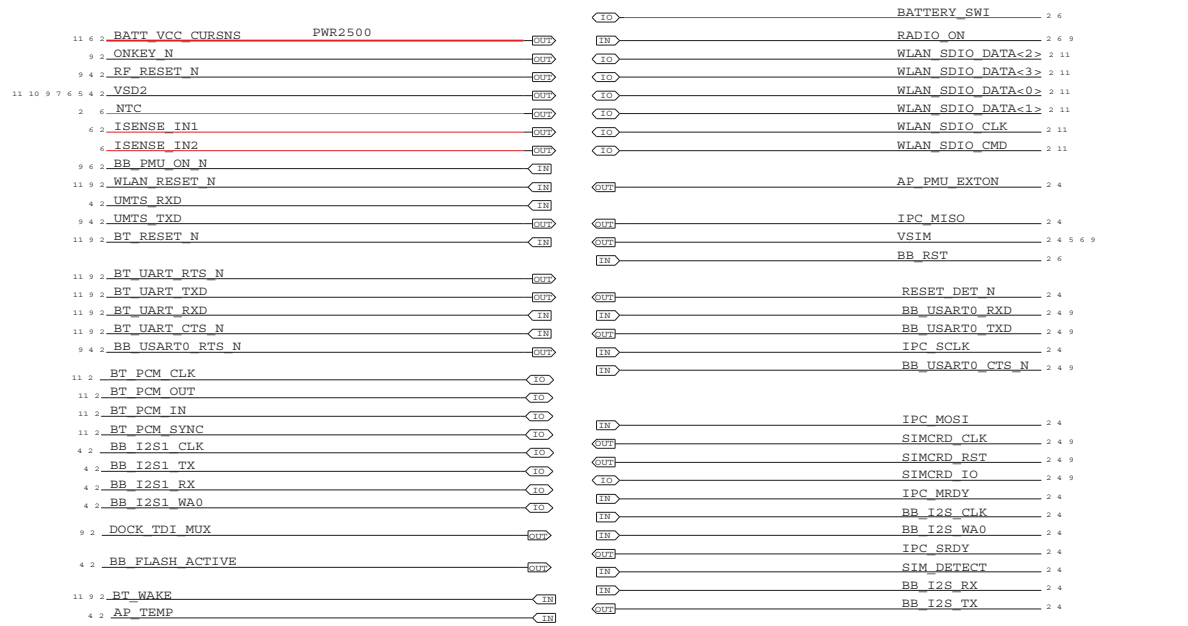


SIZE	D	DRAWING NUMBER	051-0716	REV.	01
SCALE	NONE	SHT	6 OF 9		

OPTION TO MODIFY B2 AND B5 TRACE LENGTH FOR PHASE TUNING

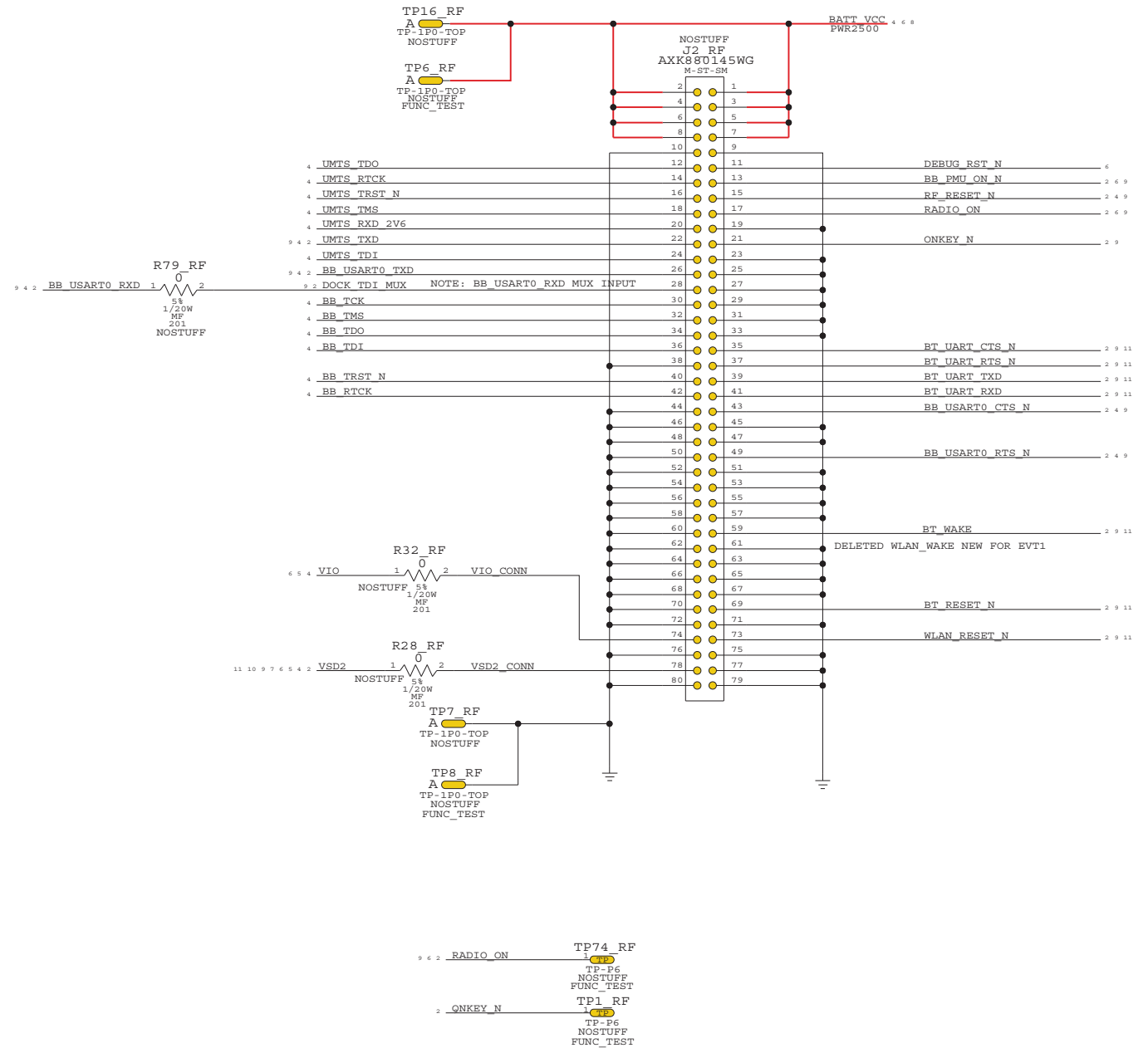
SYSTEM CONNECTORS

AP CONNECTIONS



NOTE: FOR DEBUG FIXTURES WHEN UART MUXES ARE NOSTUFF

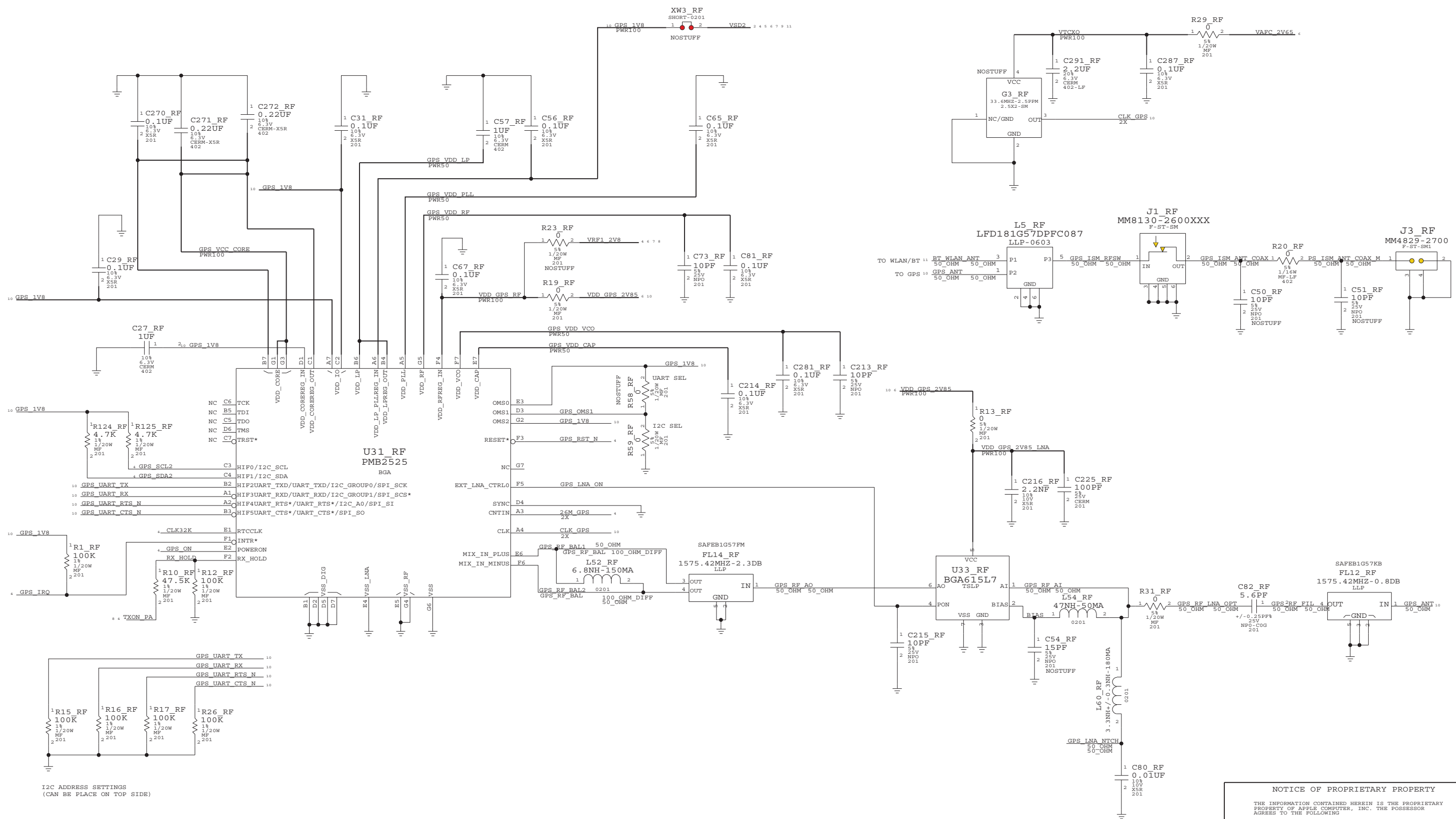
DEBUG CONNECTOR 516S0612



NOTICE OF PROPRIETARY PROPERTY
 THE INFORMATION CONTAINED HEREIN IS THE PROPRIETARY PROPERTY OF APPLE COMPUTER, INC. THE POSSESSOR AGREES TO THE FOLLOWING:
 I TO MAINTAIN THE DOCUMENT IN CONFIDENCE
 II NOT TO REPRODUCE OR COPY IT
 III NOT TO REVEAL OR PUBLISH IN WHOLE OR PART

APPLE INC.	SIZE	DRAWING NUMBER	REV.
	D	051-0716	01
SCALE	SHT 7 OF 9		
NONE			

A-GPS

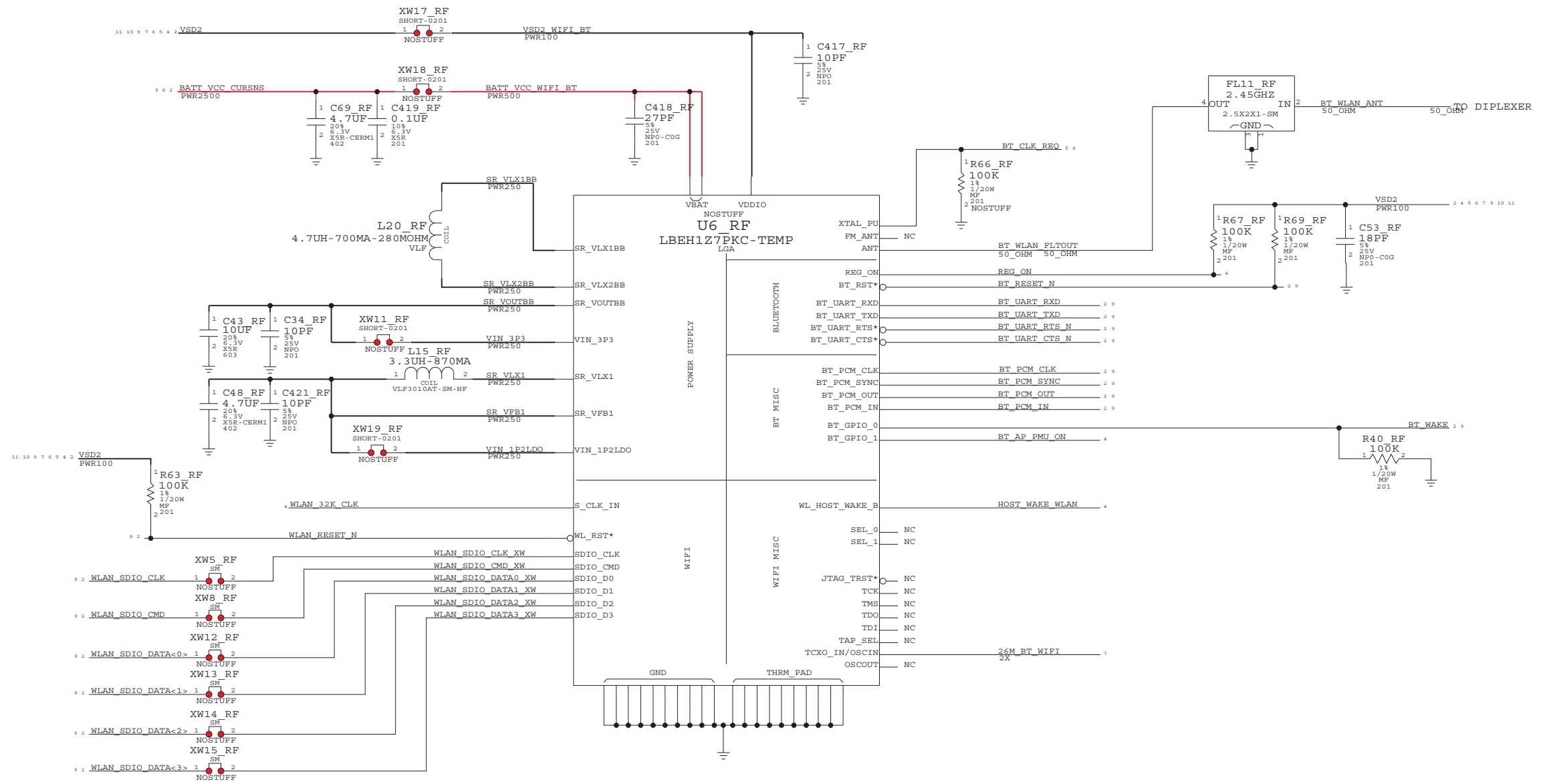


I2C ADDRESS SETTINGS
(CAN BE PLACE ON TOP SIDE)

NOTICE OF PROPRIETARY PROPERTY
 THE INFORMATION CONTAINED HEREIN IS THE PROPRIETARY PROPERTY OF APPLE COMPUTER, INC. THE POSSESSOR AGREES TO THE FOLLOWING
 I TO MAINTAIN THE DOCUMENT IN CONFIDENCE
 II NOT TO REPRODUCE OR COPY IT
 III NOT TO REVEAL OR PUBLISH IN WHOLE OR PART

APPLE INC.	SIZE	DRAWING NUMBER	REV.
	D	051-0716	01
SCALE	SHT	OF	
NONE	8	9	

WLAN RADIO



NOTICE OF PROPRIETARY PROPERTY
 THE INFORMATION CONTAINED HEREIN IS THE PROPRIETARY PROPERTY OF APPLE COMPUTER, INC. THE POSSESSOR AGREES TO THE FOLLOWING
 I TO MAINTAIN THE DOCUMENT IN CONFIDENCE
 II NOT TO REPRODUCE OR COPY IT
 III NOT TO REVEAL OR PUBLISH IN WHOLE OR PART

APPLE INC.	SIZE D	DRAWING NUMBER 951-0716	REV. 01
	SCALE NONE	SHEET 9	OF 9

8

7

6

5

4

3

2

1

iPhone 3GS H2-BASED SUB-DESIGN 07/10/09 BOARD REVA

D

D

PDF PAGE	CSA PAGE	CONTENTS	SYNC MASTER	DATE
1	1	Table of Contents	N/A	N/A
2	2	AP MAIN	N/A	N/A
3	3	AP PWR, AP WIFI/MIPI	N/A	N/A
4	4	AP NAND	N/A	N/A
5	5	AP RGB/CLCD	N/A	N/A
6	6	AP TVOUT	N/A	N/A
7	7	L61 AUDIO INTERFACE	N/A	N/A
8	8	L61 HP	N/A	N/A
9	9	PMU	N/A	N/A
10	10	SIM, ACCEL, VIBE	N/A	N/A
11	11	INTERFACE ASSIGNMENTS	N/A	N/A
12	12	DOCK	N/A	N/A
13	13	NIMBUS	N/A	N/A
14	14	CAMERA	N/A	N/A
15	15	RADIO CONNECTIVITY	N/A	N/A
16	16	PROX, ALS	N/A	N/A
17	32	Cross Reference Page		
18	33	Cross Reference Page		
19	34	Cross Reference Page		
20	35	Cross Reference Page		
21	36	Cross Reference Page		
22	37	Cross Reference Page		

PDF PAGE	CSA PAGE	CONTENTS	SYNC MASTER	DATE
23	38	Cross Reference Page		
24	39	Cross Reference Page		
25	40	Cross Reference Page		

C

C

B

B

A


A

PART#	QTY	DESCRIPTION	REFERENCE DESIGNATOR(S)	CRITICAL	BOM OPTION
951-0719	1	P4C_DEV_SCHEMATIC	SCH	Y	
920-0596	1	P4C_DEV_PCB	PCB	Y	
825-2029	1	EEE	EEE:???	Y	

SOCKET BOM OPTIONS

PART#	QTY	DESCRIPTION	REFERENCE DESIGNATOR(S)	CRITICAL	BOM OPTION
998-1925	1	M2_TEST_SOCKET	SKT1	Y	SOCKET
998-1922	1	NUMBUS TEST SOCKET	SKT2	Y	SOCKET

Table of Contents		
SYNC_MASTER=N/A		SYNC_DATE=N/A
NOTICE OF PROPRIETARY PROPERTY		
THE INFORMATION CONTAINED HEREIN IS THE PROPRIETARY PROPERTY OF APPLE COMPUTER, INC. THE POSSESSOR AGREES TO THE FOLLOWING		
I TO MAINTAIN THE DOCUMENT IN CONFIDENCE		
II NOT TO REPRODUCE OR COPY IT		
III NOT TO REVEAL OR PUBLISH IN WHOLE OR PART		

 APPLE INC.	SIZE D	DRAWING NUMBER 951-0719	REV. 1
	SCALE NONE	SHT 1	OF 25

8

7

6

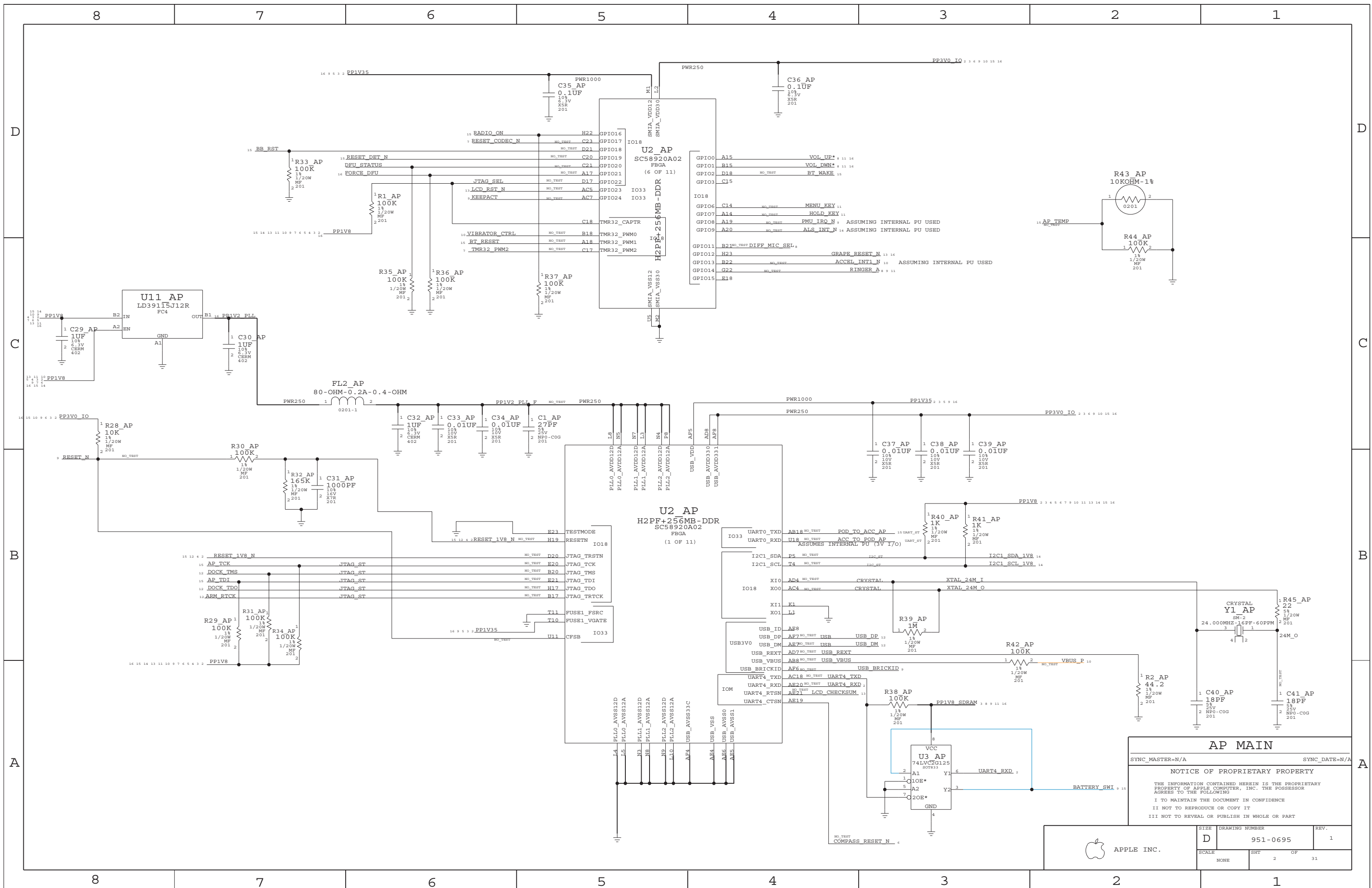
5

4

3

2

1



AP MAIN

SYNC_MASTER=N/A SYNC_DATE=N/A

NOTICE OF PROPRIETARY PROPERTY

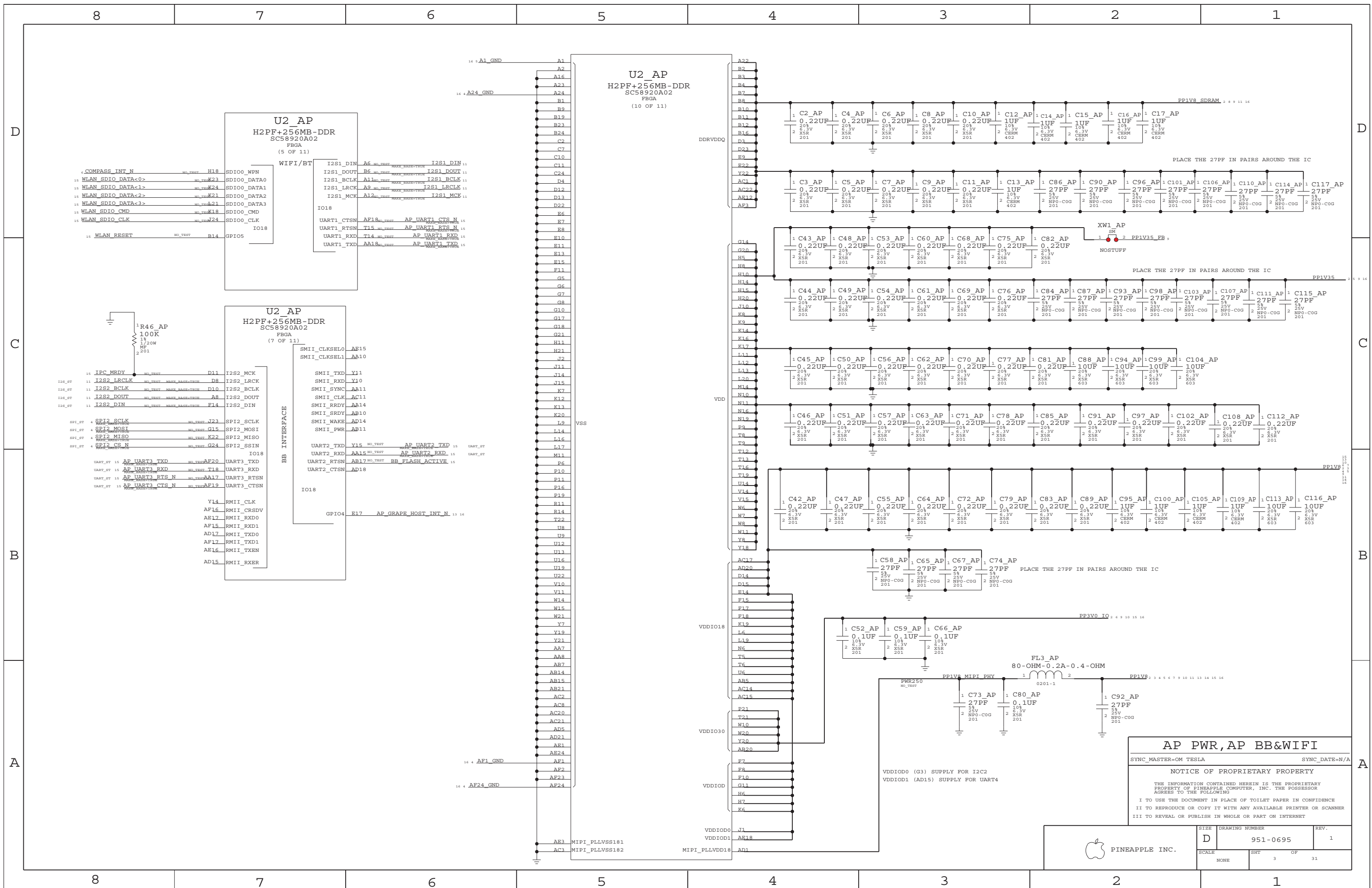
THE INFORMATION CONTAINED HEREIN IS THE PROPRIETARY PROPERTY OF APPLE COMPUTER, INC. THE POSSESSOR AGREES TO THE FOLLOWING

I TO MAINTAIN THE DOCUMENT IN CONFIDENCE

II NOT TO REPRODUCE OR COPY IT

III NOT TO REVEAL OR PUBLISH IN WHOLE OR PART

 APPLE INC.	SIZE	DRAWING NUMBER	REV.
	D	951-0695	1
SCALE	SHT	OF	31
NONE	2		



U2_AP
H2PF+256MB-DDR
SC58920A02
FBGA
(10 OF 11)

U2_AP
H2PF+256MB-DDR
SC58920A02
FBGA
(5 OF 11)

U2_AP
H2PF+256MB-DDR
SC58920A02
FBGA
(7 OF 11)

AP PWR, AP BB&WIFI

SYNC_MASTER=OM TESLA SYNC_DATE=N/A

NOTICE OF PROPRIETARY PROPERTY

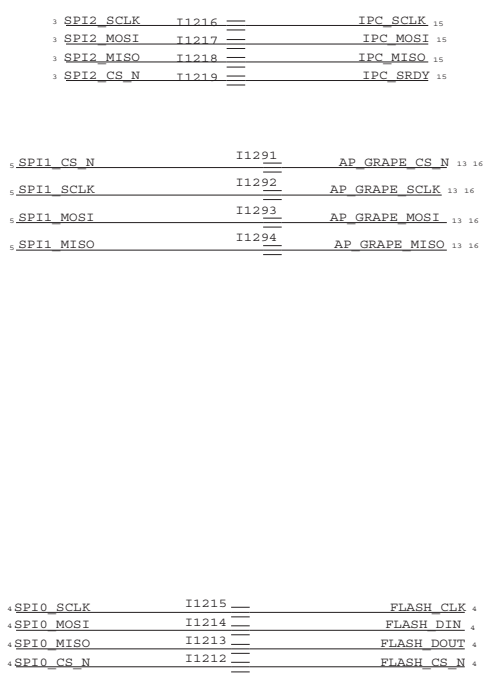
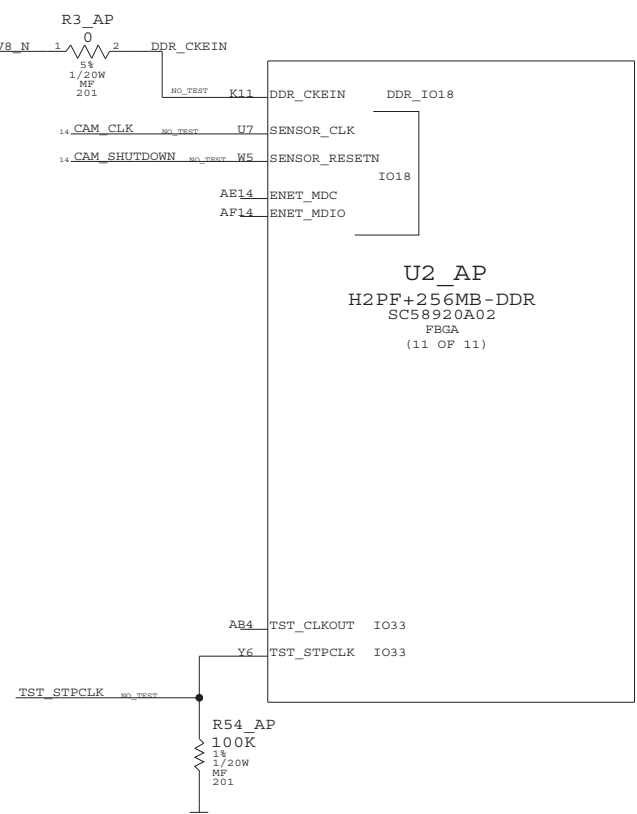
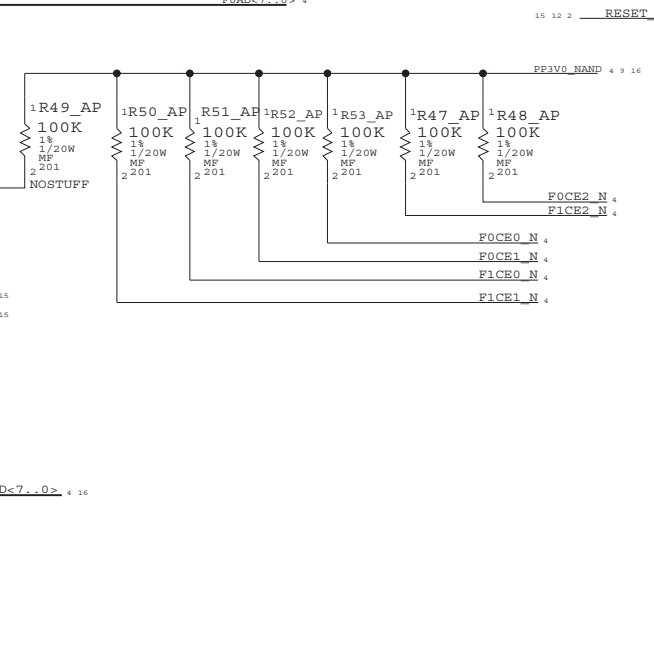
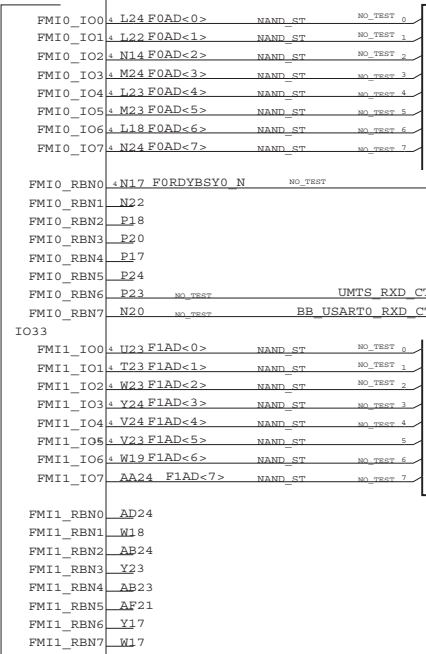
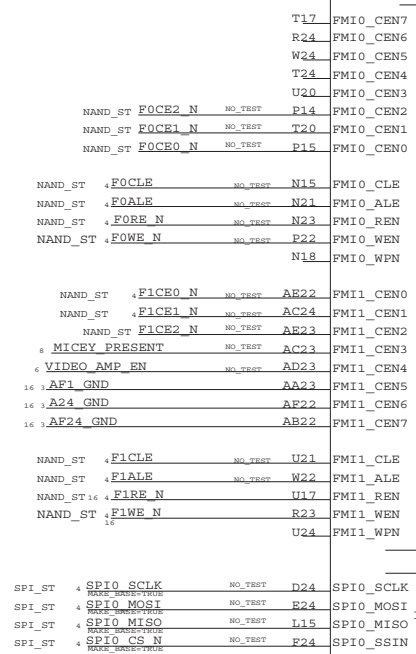
THE INFORMATION CONTAINED HEREIN IS THE PROPRIETARY PROPERTY OF PINEAPPLE COMPUTER, INC. THE POSSESSOR AGREES TO THE FOLLOWING
 I TO USE THE DOCUMENT IN PLACE OF TOILET PAPER IN CONFIDENCE
 II TO REPRODUCE OR COPY IT WITH ANY AVAILABLE PRINTER OR SCANNER
 III TO REVEAL OR PUBLISH IN WHOLE OR PART ON INTERNET

	SIZE	DRAWING NUMBER	REV.
	D	951-0695	1
SCALE	SHT	OF	31
NONE	3		

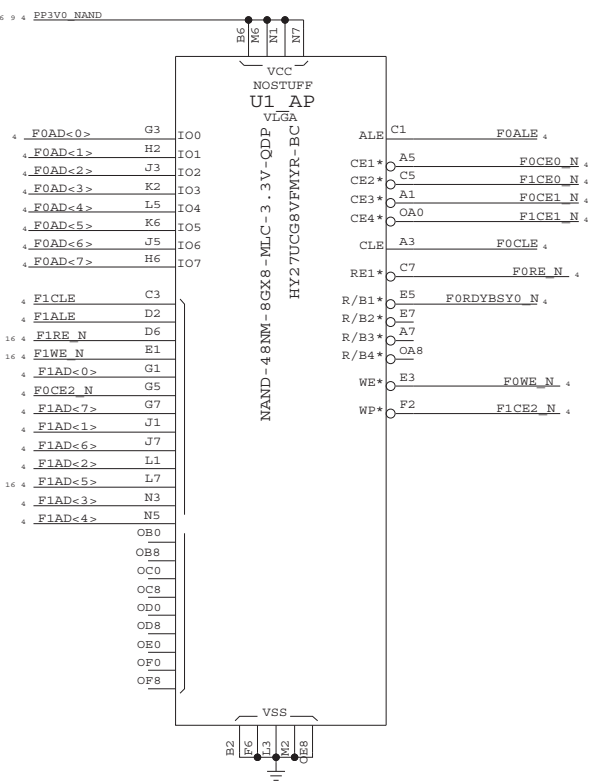
NAND FLASH

U2_AP
H2PF+256MB-DDR
SC58920A02
FBGA

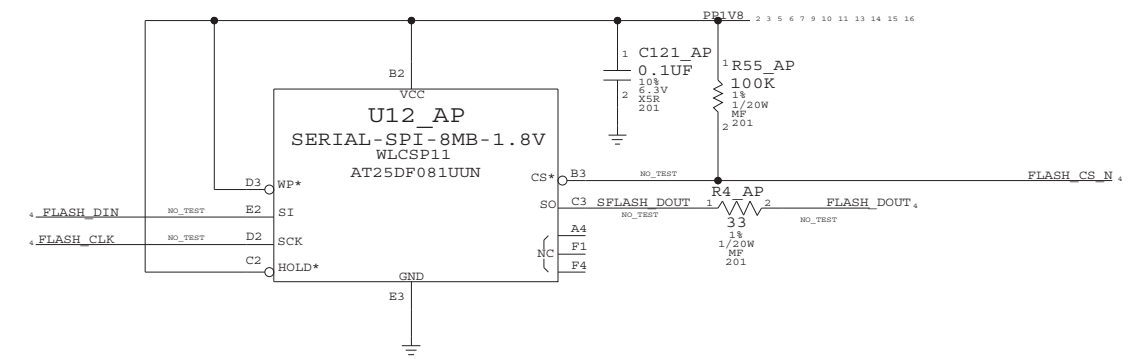
FLASH



NAND, BANK ZERO



1.8V SERIAL FLASH



AP NAND

SYNC_MASTER=N/A SYNC_DATE=N/A

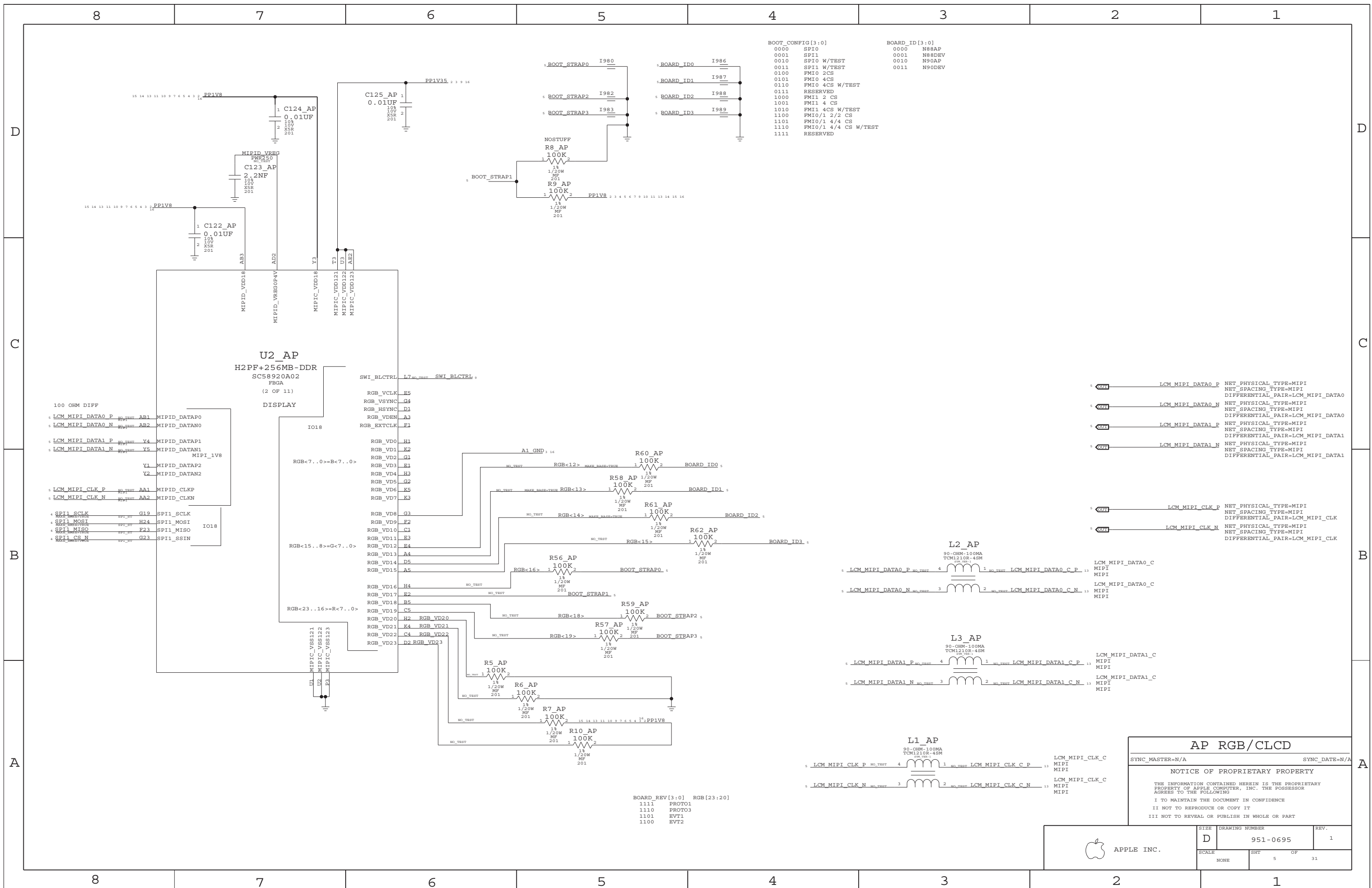
NOTICE OF PROPRIETARY PROPERTY

THE INFORMATION CONTAINED HEREIN IS THE PROPRIETARY PROPERTY OF APPLE COMPUTER, INC. THE POSSESSOR AGREES TO THE FOLLOWING

I TO MAINTAIN THE DOCUMENT IN CONFIDENCE

II NOT TO REPRODUCE OR COPY IT

III NOT TO REVEAL OR PUBLISH IN WHOLE OR PART



BOOT_CONFIG[3:0]		BOARD_ID[3:0]	
0000	SPI0	0000	N88AP
0001	SPI1	0001	N88DEV
0010	SPI0 W/TEST	0010	N90AP
0011	SPI1 W/TEST	0011	N90DEV
0100	FMIO 2CS		
0101	FMIO 4CS		
0110	FMIO 4CS W/TEST		
0111	RESERVED		
1000	FMII 2 CS		
1001	FMII 4 CS		
1010	FMII 4CS W/TEST		
1100	FMIO/1 2/2 CS		
1101	FMIO/1 4/4 CS		
1110	FMIO/1 4/4 CS W/TEST		
1111	RESERVED		

BOARD_REV[3:0]		RGB[23:20]	
1111	PROTO1		
1110	PROTO3		
1101	EVT1		
1100	EVT2		

AP RGB/CLCD

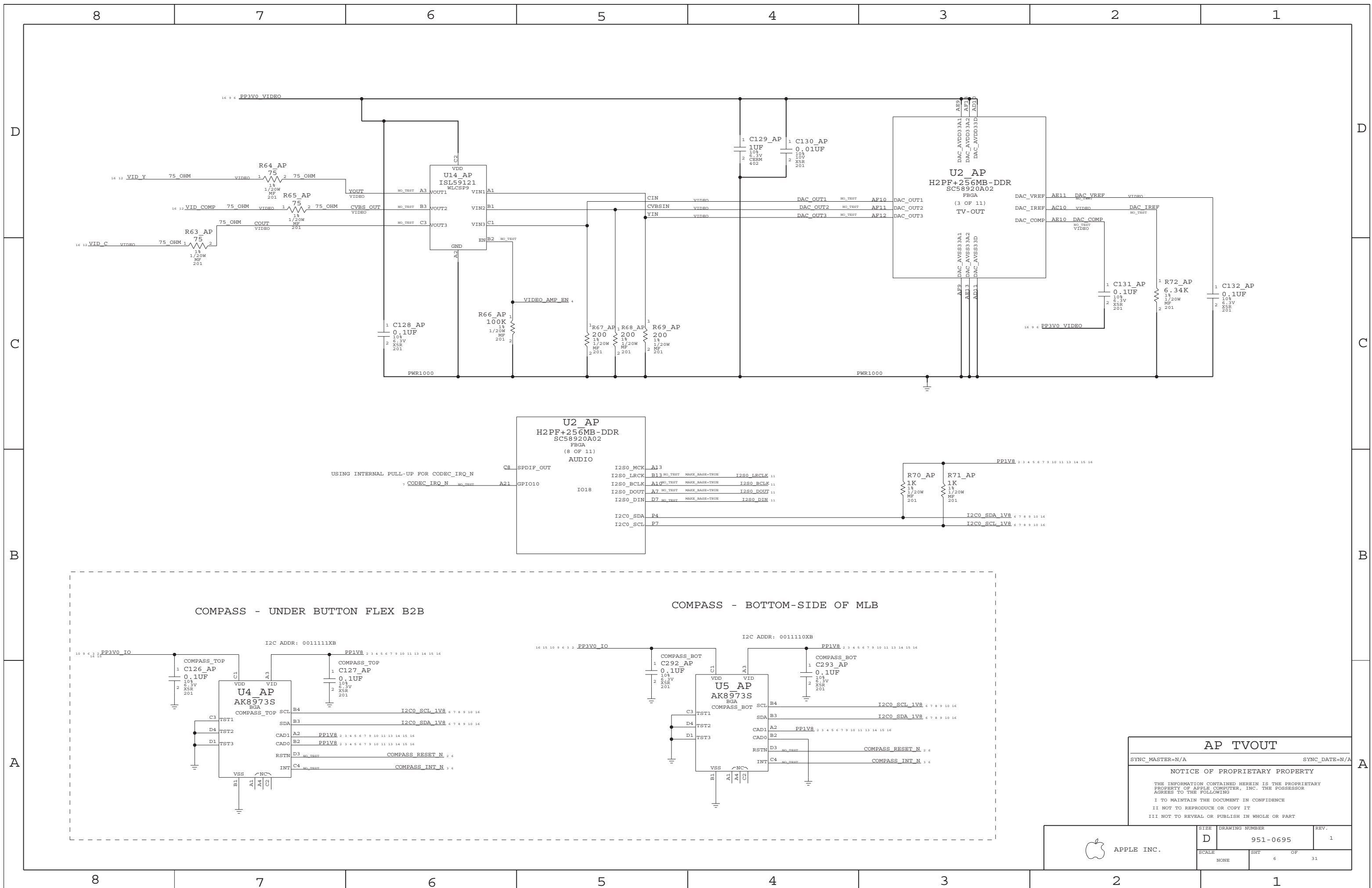
SYNC_MASTER=N/A SYNC_DATE=N/A

NOTICE OF PROPRIETARY PROPERTY

THE INFORMATION CONTAINED HEREIN IS THE PROPRIETARY PROPERTY OF APPLE COMPUTER, INC. THE POSSESSOR AGREES TO THE FOLLOWING

I TO MAINTAIN THE DOCUMENT IN CONFIDENCE
 II NOT TO REPRODUCE OR COPY IT
 III NOT TO REVEAL OR PUBLISH IN WHOLE OR PART

 APPLE INC.	SIZE	DRAWING NUMBER	REV.
	D	951-0695	1
SCALE	SHT 5 OF 31		



AP TVOUT

SYNC_MASTER=N/A SYNC_DATE=N/A

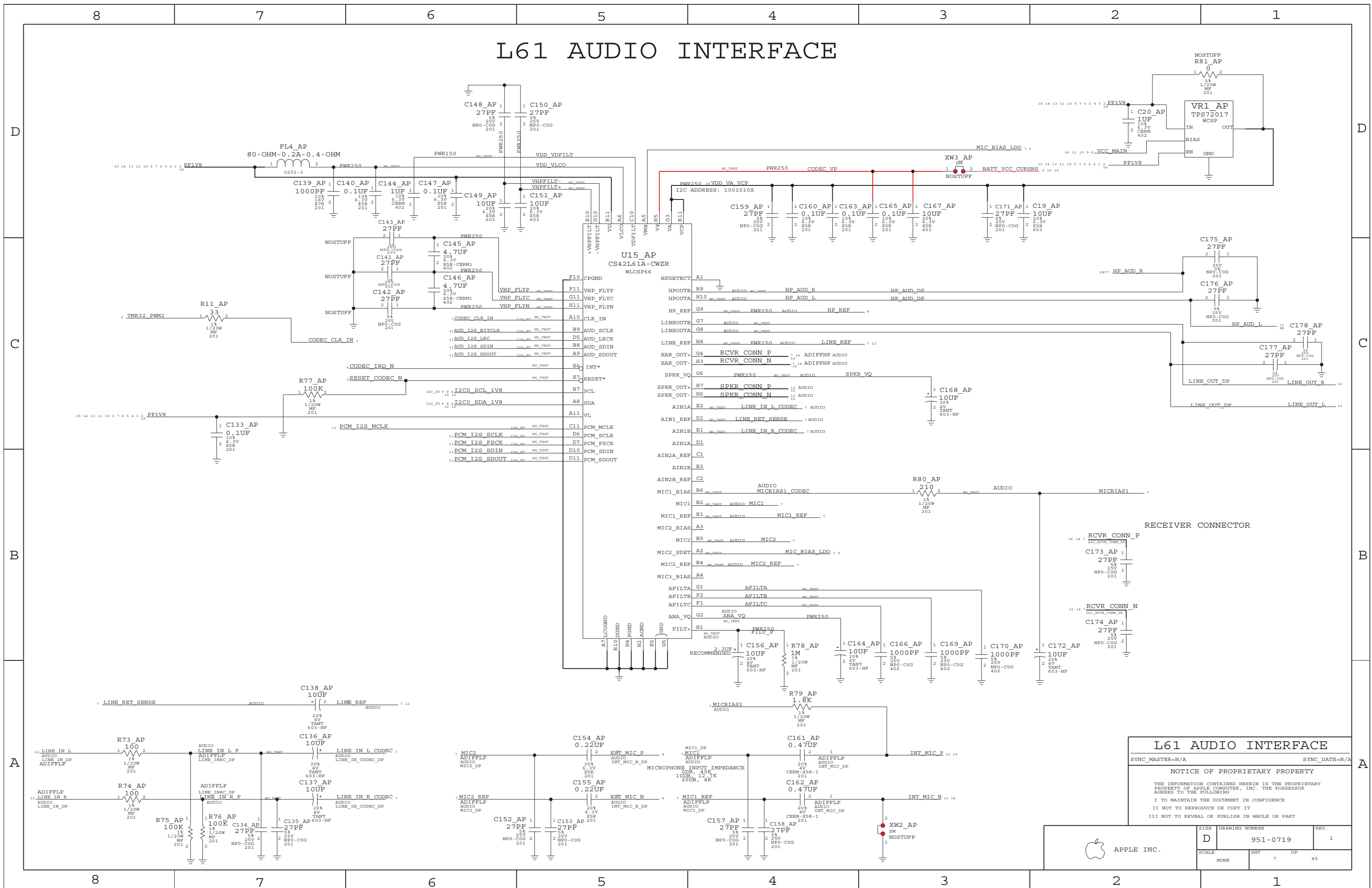
NOTICE OF PROPRIETARY PROPERTY

THE INFORMATION CONTAINED HEREIN IS THE PROPRIETARY PROPERTY OF APPLE COMPUTER, INC. THE POSSESSOR AGREES TO THE FOLLOWING

I TO MAINTAIN THE DOCUMENT IN CONFIDENCE
 II NOT TO REPRODUCE OR COPY IT
 III NOT TO REVEAL OR PUBLISH IN WHOLE OR PART

APPLE INC.	SIZE D	DRAWING NUMBER 951-0695	REV. 1
	SCALE NONE	SHEET 6	OF 31

L61 AUDIO INTERFACE



L61 AUDIO INTERFACE

SYNC_MASTER=N/A SYNC_DATE=N/A

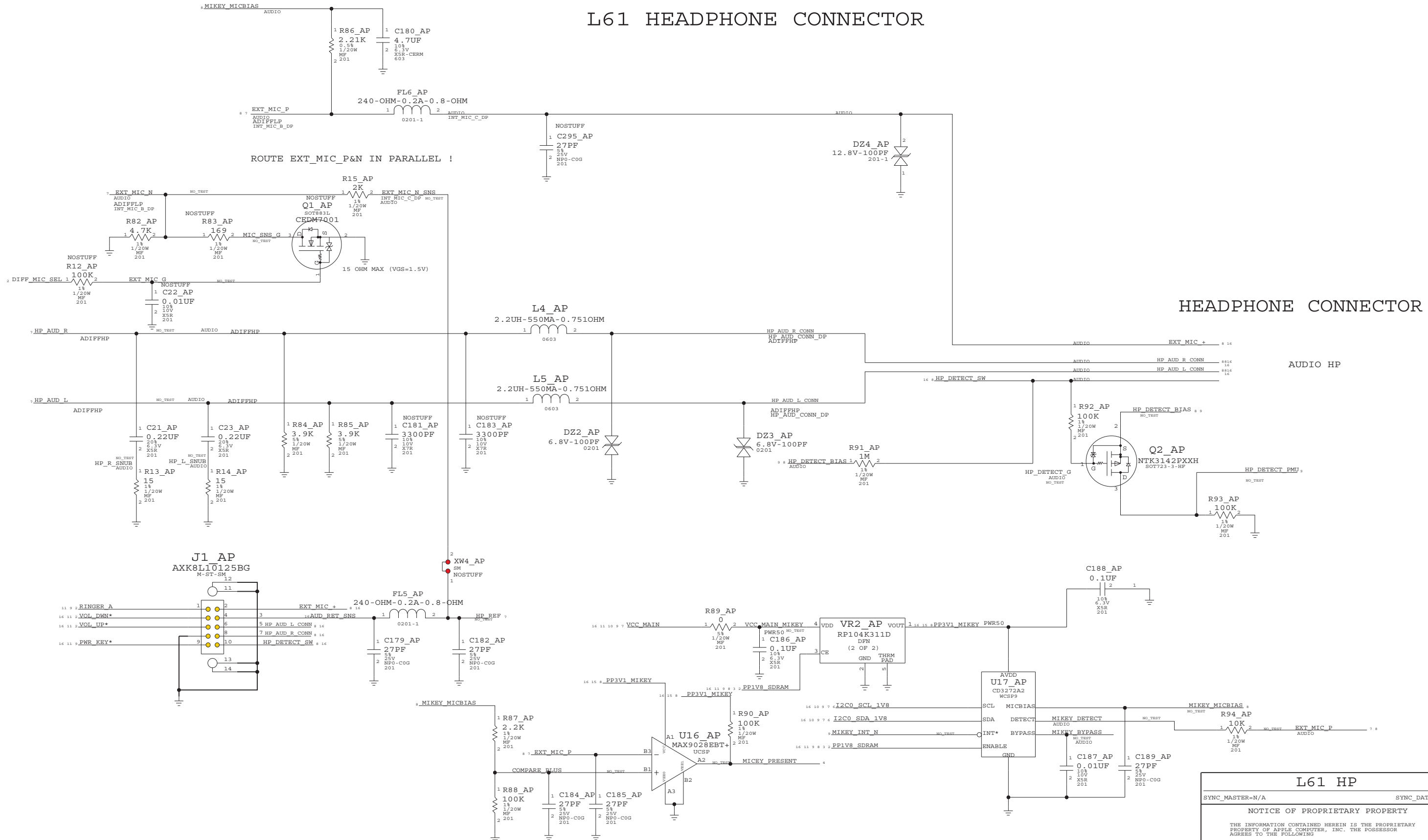
NOTICE OF PROPRIETARY PROPERTY

THE INFORMATION CONTAINED HEREIN IS THE PROPRIETARY PROPERTY OF APPLE COMPUTER, INC. THE POSSESSOR AGREES TO THE FOLLOWING:
 I TO MAINTAIN THE DOCUMENT IN CONFIDENCE
 II NOT TO REPRODUCE OR COPY IT
 III NOT TO REVEAL OR PUBLISH IN WHOLE OR PART



SIZE	DRAWING NUMBER	REV.
D	951-0719	1
SCALE	SHT	OF
NONE	7	40

L61 HEADPHONE CONNECTOR



HEADPHONE CONNECTOR

L61 HP

SYNC_MASTER=N/A SYNC_DATE=N/A

NOTICE OF PROPRIETARY PROPERTY

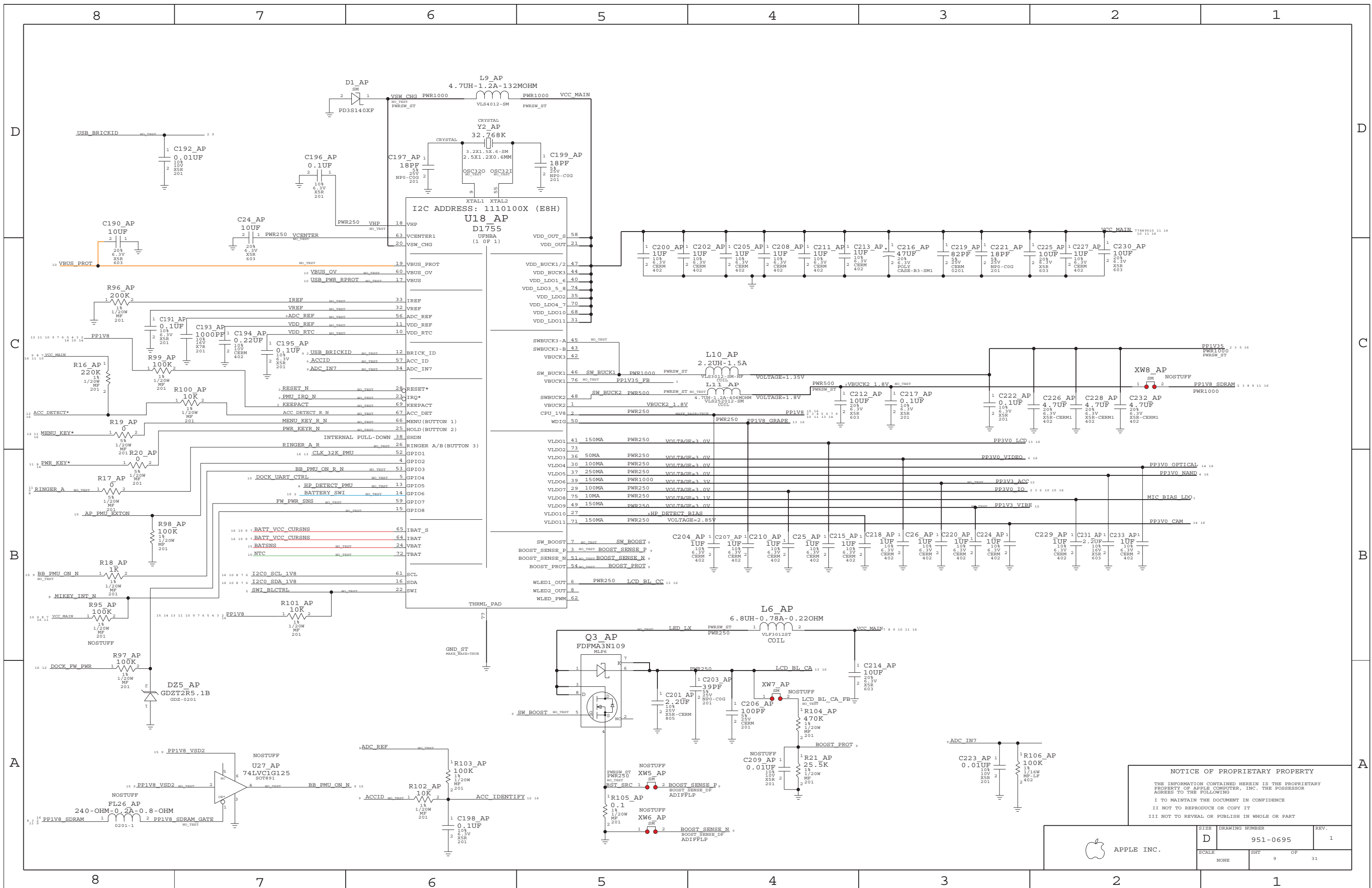
THE INFORMATION CONTAINED HEREIN IS THE PROPRIETARY PROPERTY OF APPLE COMPUTER, INC. THE POSSESSOR AGREES TO THE FOLLOWING

I TO MAINTAIN THE DOCUMENT IN CONFIDENCE

II NOT TO REPRODUCE OR COPY IT

III NOT TO REVEAL OR PUBLISH IN WHOLE OR PART

APPLE INC.	SIZE	DRAWING NUMBER	REV.
	D	951-0695	1
SCALE	SHT 8 OF 31		



NOTICE OF PROPRIETARY PROPERTY

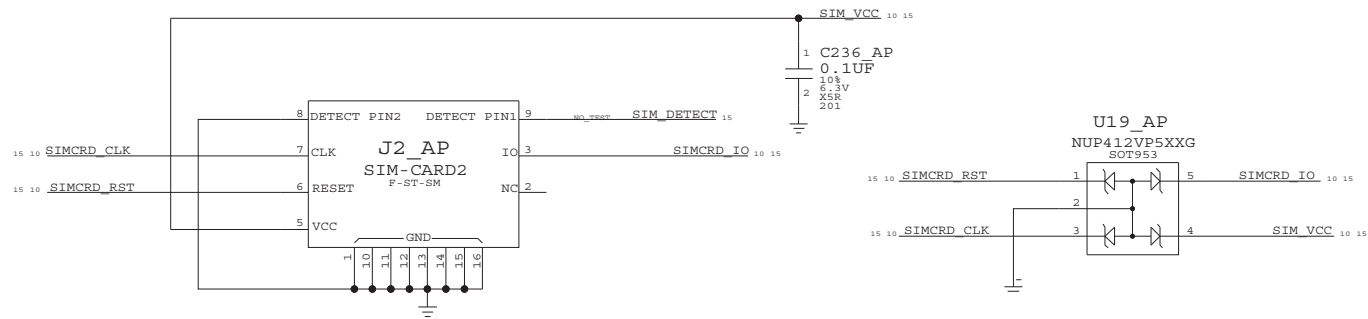
THE INFORMATION CONTAINED HEREIN IS THE PROPRIETARY PROPERTY OF APPLE COMPUTER, INC. THE POSSESSOR AGREES TO THE FOLLOWING:

I TO MAINTAIN THE DOCUMENT IN CONFIDENCE

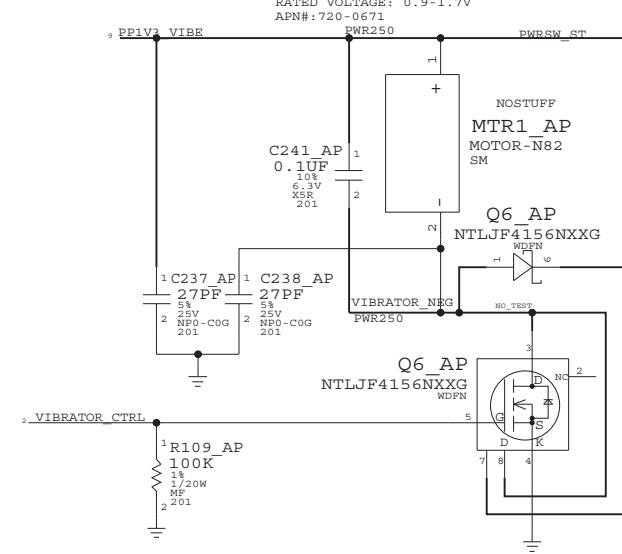
II NOT TO REPRODUCE OR COPY IT

III NOT TO REVEAL OR PUBLISH IN WHOLE OR PART

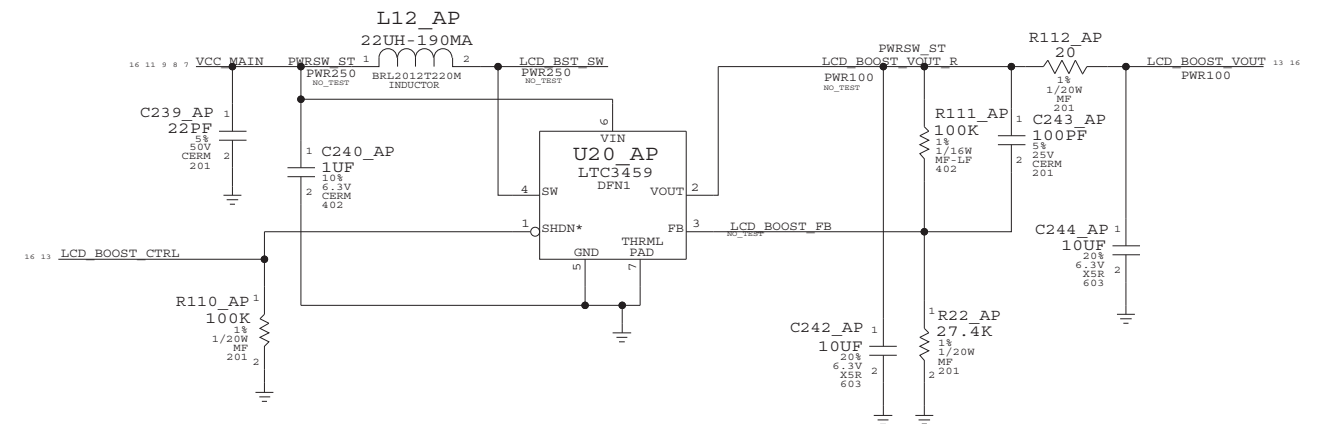
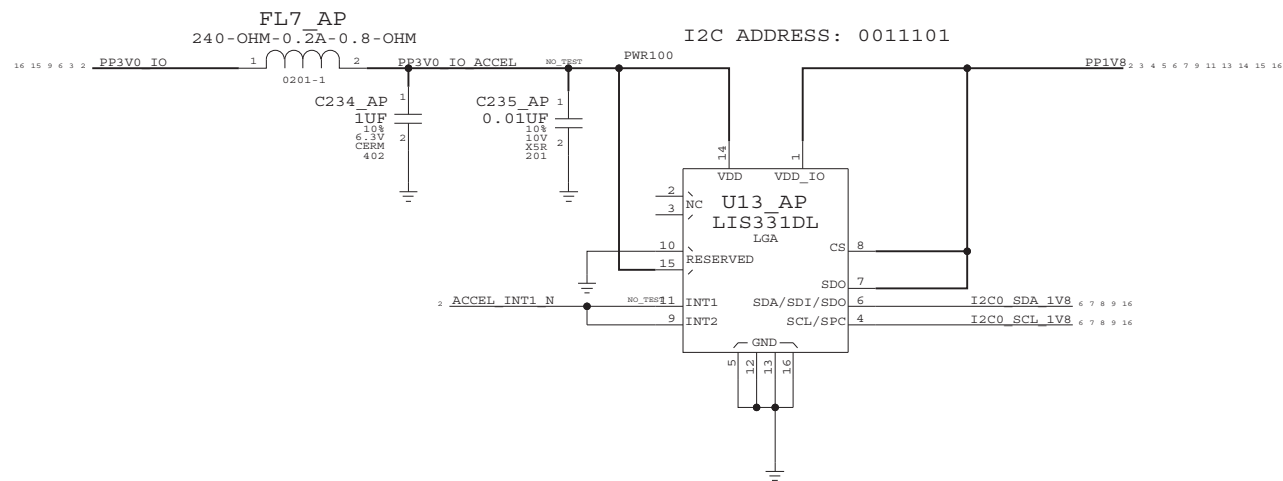
SIM CARD SLOT AND ESD



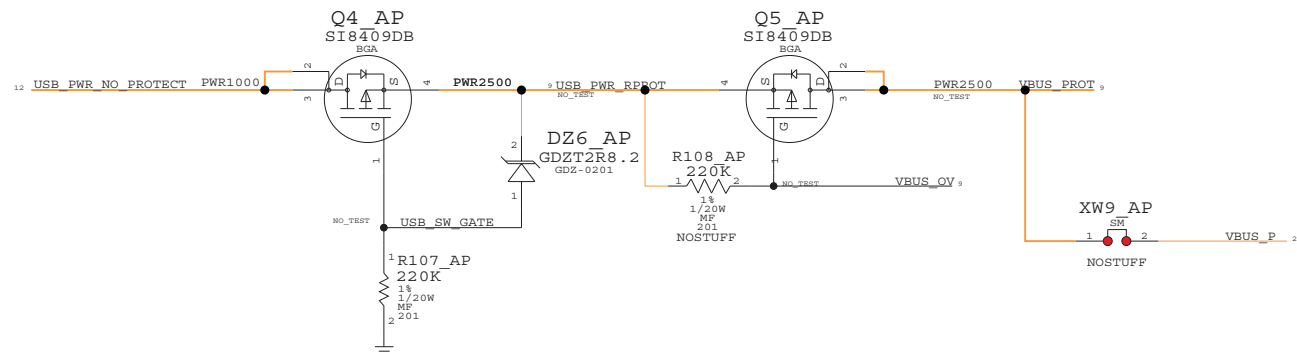
VIBRATOR PADS



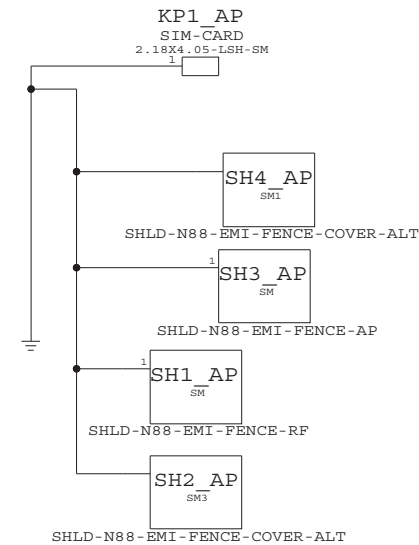
ACCELEROMETER



USB OVER/REVERSE VOLTAGE PROTECITON



SHIELDS AND SIMKEY



SIM, ACCEL, VIBE

SYNC_MASTER=N/A SYNC_DATE=N/A

NOTICE OF PROPRIETARY PROPERTY

THE INFORMATION CONTAINED HEREIN IS THE PROPRIETARY PROPERTY OF APPLE COMPUTER, INC. THE POSSESSOR AGREES TO THE FOLLOWING

I TO MAINTAIN THE DOCUMENT IN CONFIDENCE

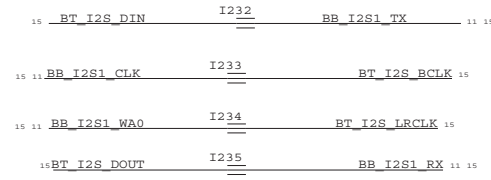
II NOT TO REPRODUCE OR COPY IT

III NOT TO REVEAL OR PUBLISH IN WHOLE OR PART

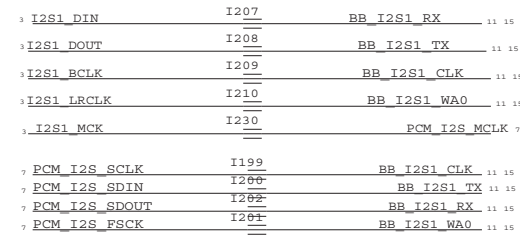


SIZE	DRAWING NUMBER	REV.
D	951-0719	1
SCALE	SHT	OF
NONE	10	25

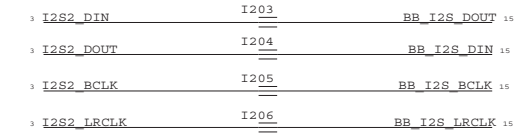
VOICE I2S TO BT



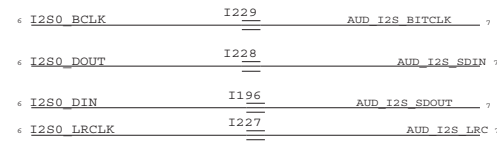
VOICE I2S AP/BB/CODEC



AP TO BB SIDETONE I2S



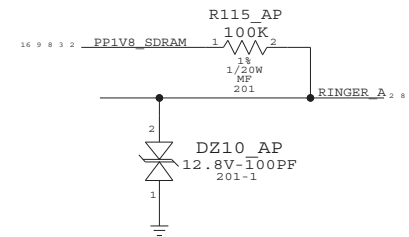
AP MULTIMEDIA I2S TO CODEC



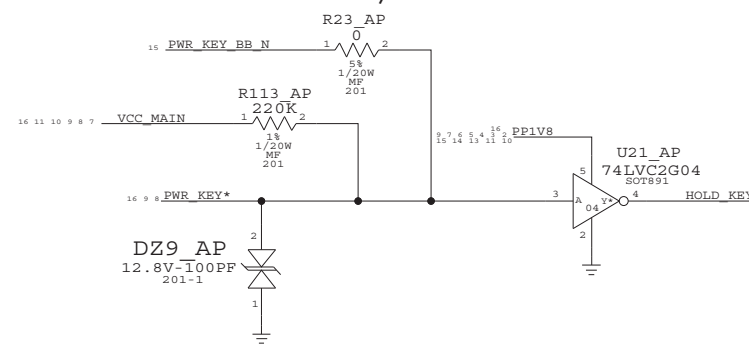
VOLUME SWITCHES



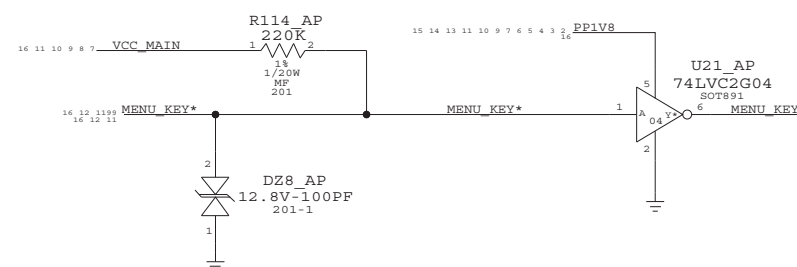
RINGER A/B SWITCH



POWER/HOLD KEY



MENU KEY



INTERFACE ASSIGNMENTS

SYNC_MASTER=N/A SYNC_DATE=N/A

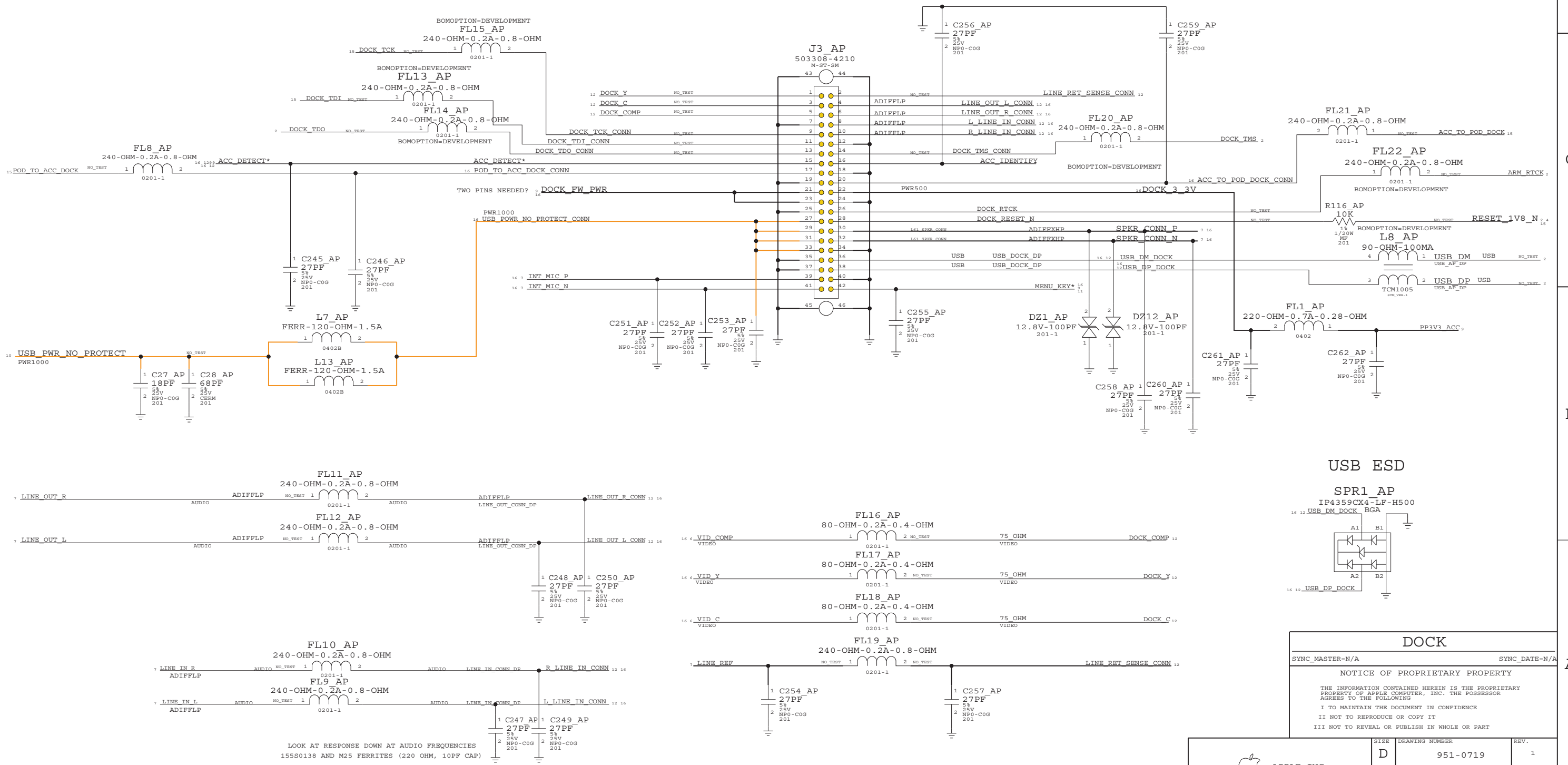
NOTICE OF PROPRIETARY PROPERTY

THE INFORMATION CONTAINED HEREIN IS THE PROPRIETARY PROPERTY OF APPLE COMPUTER, INC. THE POSSESSOR AGREES TO THE FOLLOWING
 I TO MAINTAIN THE DOCUMENT IN CONFIDENCE
 II NOT TO REPRODUCE OR COPY IT
 III NOT TO REVEAL OR PUBLISH IN WHOLE OR PART

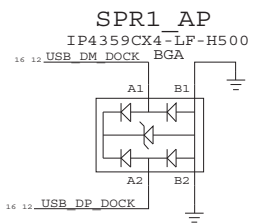


SIZE	DRAWING NUMBER	REV.
D	951-0719	1
SCALE	SHT	OF
NONE	11	25

DOCK CONNECTOR



USB ESD



DOCK

SYNC_MASTER=N/A SYNC_DATE=N/A

NOTICE OF PROPRIETARY PROPERTY

THE INFORMATION CONTAINED HEREIN IS THE PROPRIETARY PROPERTY OF APPLE COMPUTER, INC. THE POSSESSOR AGREES TO THE FOLLOWING:

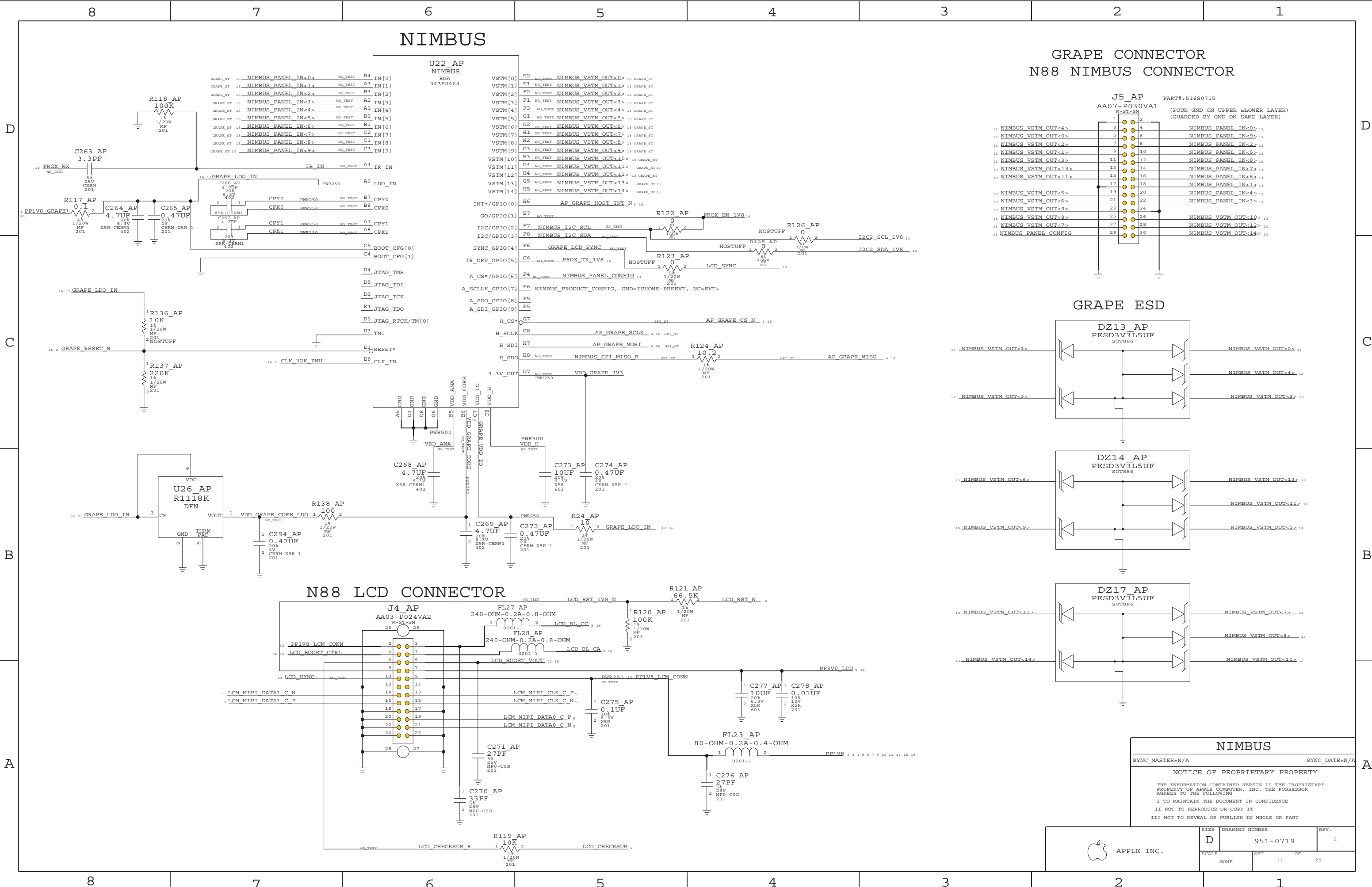
- I TO MAINTAIN THE DOCUMENT IN CONFIDENCE
- II NOT TO REPRODUCE OR COPY IT
- III NOT TO REVEAL OR PUBLISH IN WHOLE OR PART



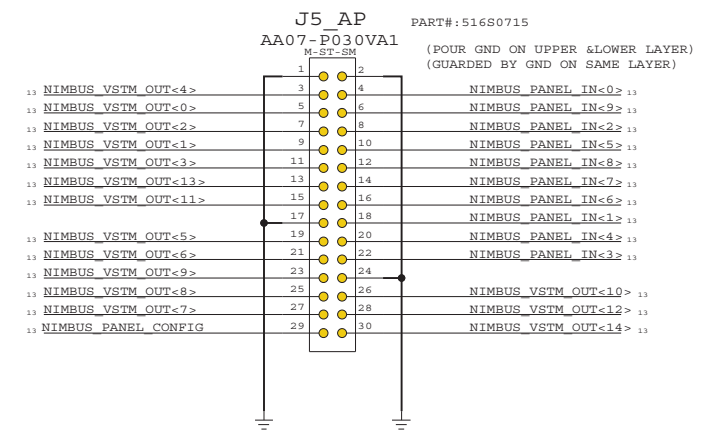
SIZE	DRAWING NUMBER	REV.
D	951-0719	1
SCALE	SHT	OF
NONE	12	25

LOOK AT RESPONSE DOWN AT AUDIO FREQUENCIES
155S0138 AND M25 FERRITES (220 OHM, 10PF CAP)

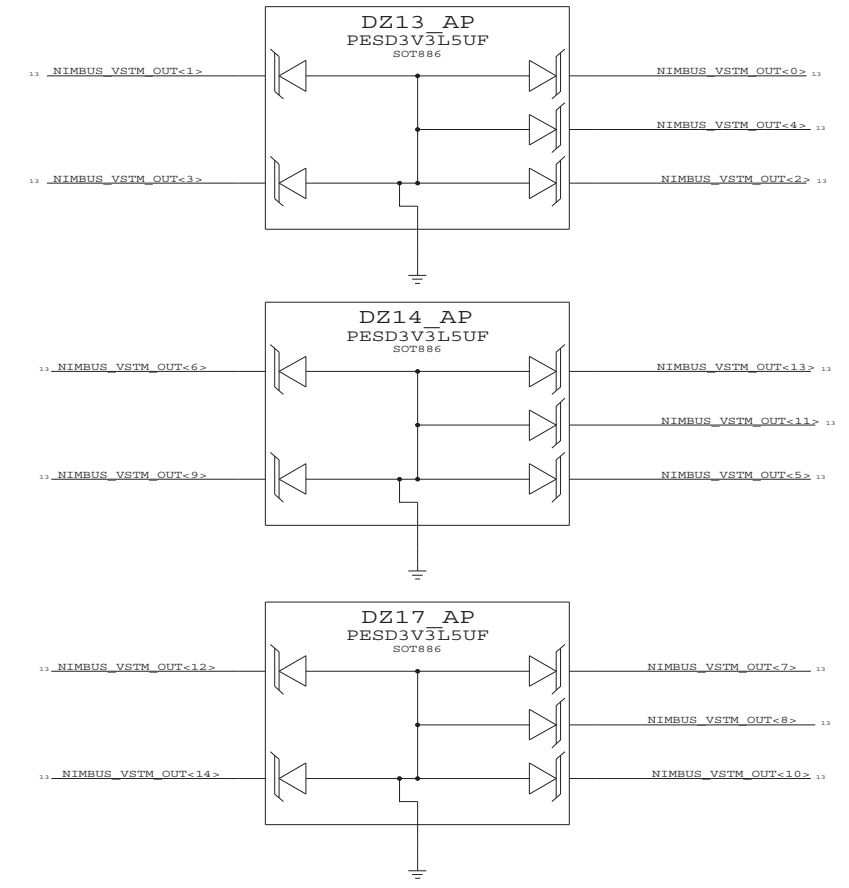
NIMBUS



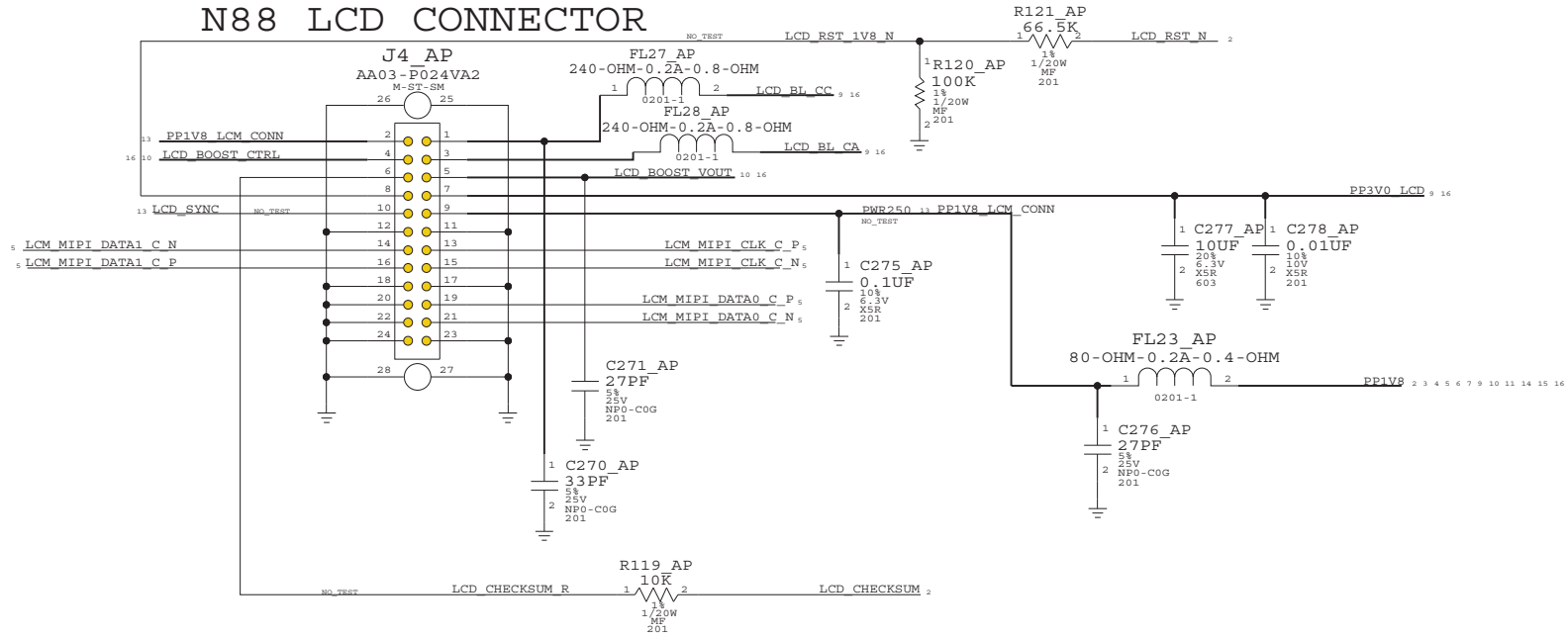
GRAPE CONNECTOR N88 NIMBUS CONNECTOR



GRAPE ESD



N88 LCD CONNECTOR



NIMBUS

SYNC_MASTER=N/A SYNC_DATE=N/A

NOTICE OF PROPRIETARY PROPERTY

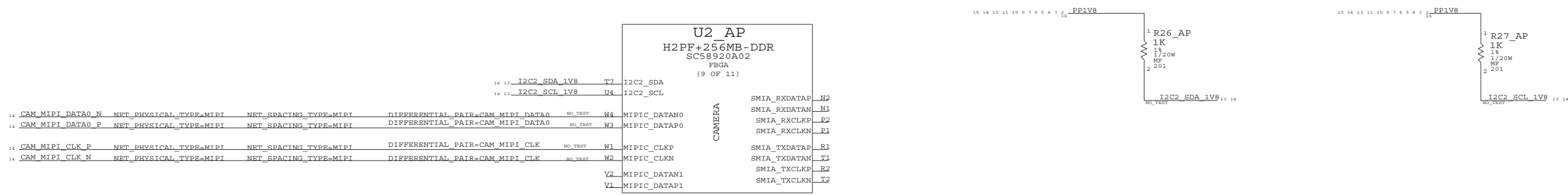
THE INFORMATION CONTAINED HEREIN IS THE PROPRIETARY PROPERTY OF APPLE COMPUTER, INC. THE POSSESSOR AGREES TO THE FOLLOWING

I TO MAINTAIN THE DOCUMENT IN CONFIDENCE

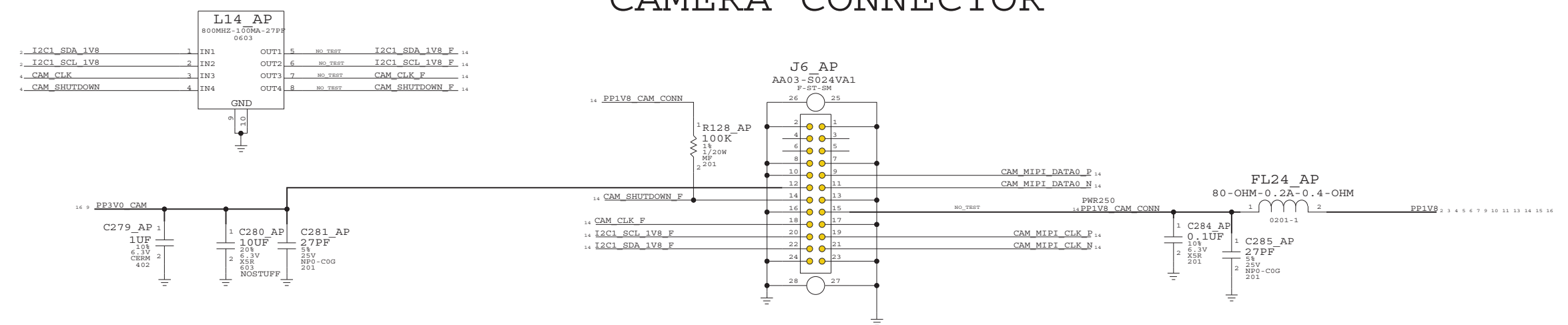
II NOT TO REPRODUCE OR COPY IT

III NOT TO REVEAL OR PUBLISH IN WHOLE OR PART

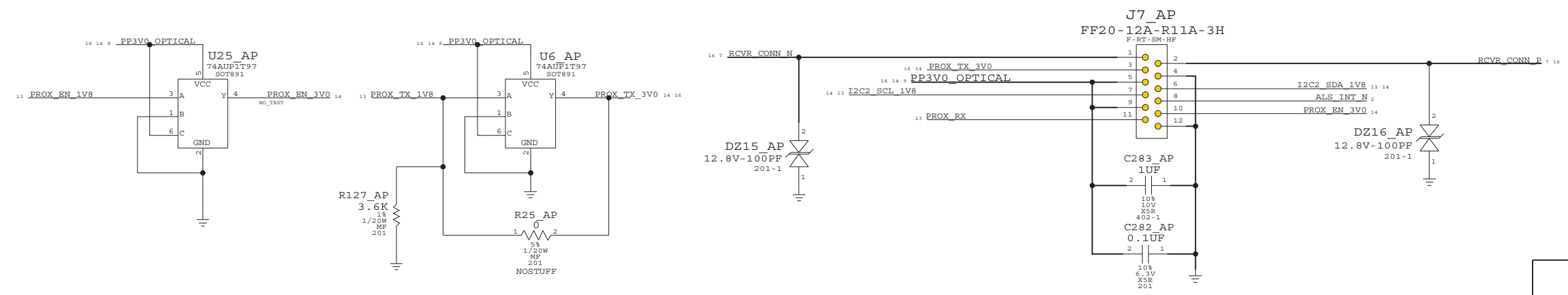
CAMERA INTERFACE



CAMERA CONNECTOR



ALS/PROX



CAMERA

SYNC_MASTER=N/A SYNC_DATE=N/A

NOTICE OF PROPRIETARY PROPERTY

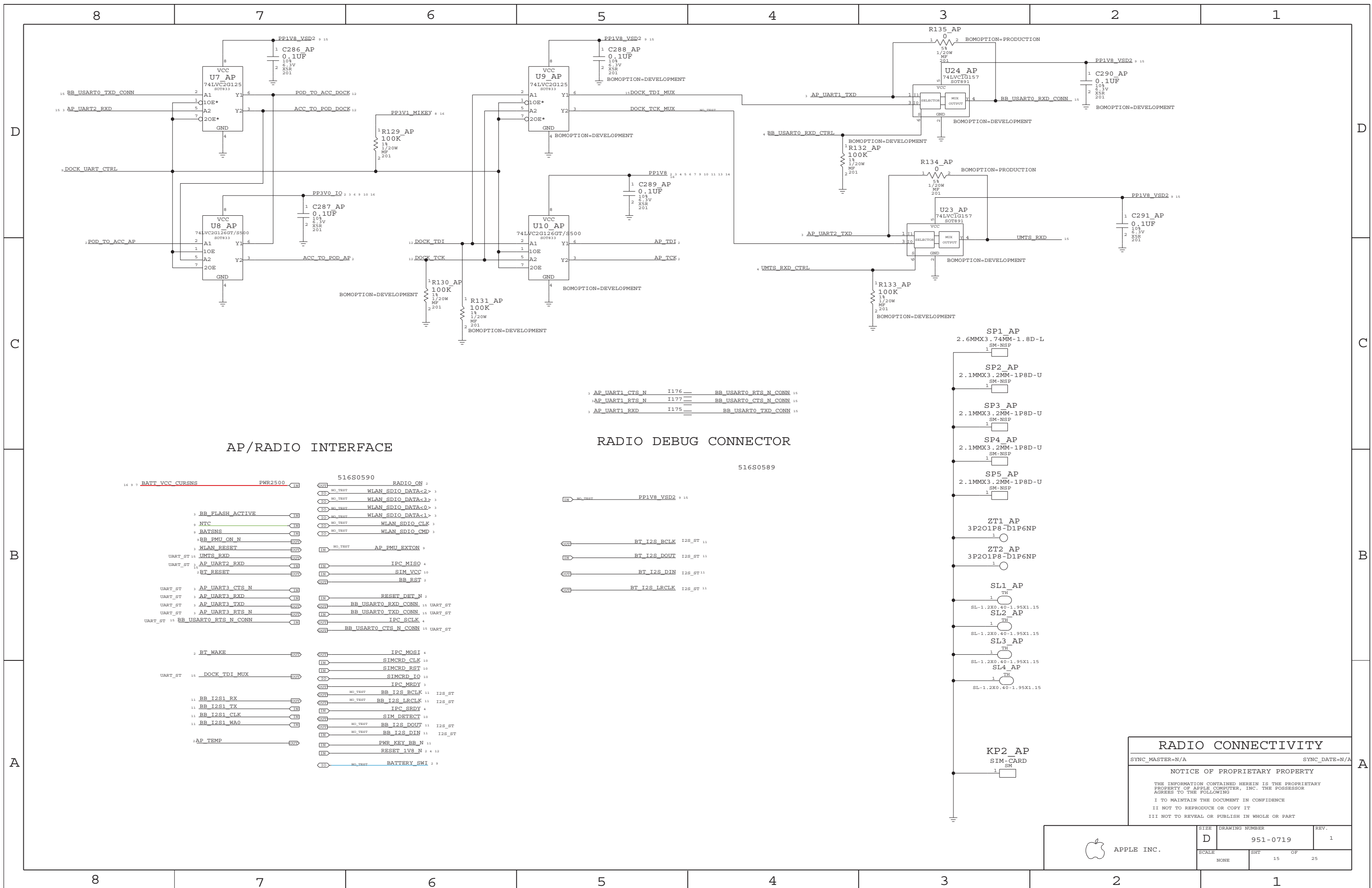
THE INFORMATION CONTAINED HEREIN IS THE PROPRIETARY PROPERTY OF APPLE COMPUTER, INC. THE POSSESSOR AGREES TO THE FOLLOWING

I TO MAINTAIN THE DOCUMENT IN CONFIDENCE

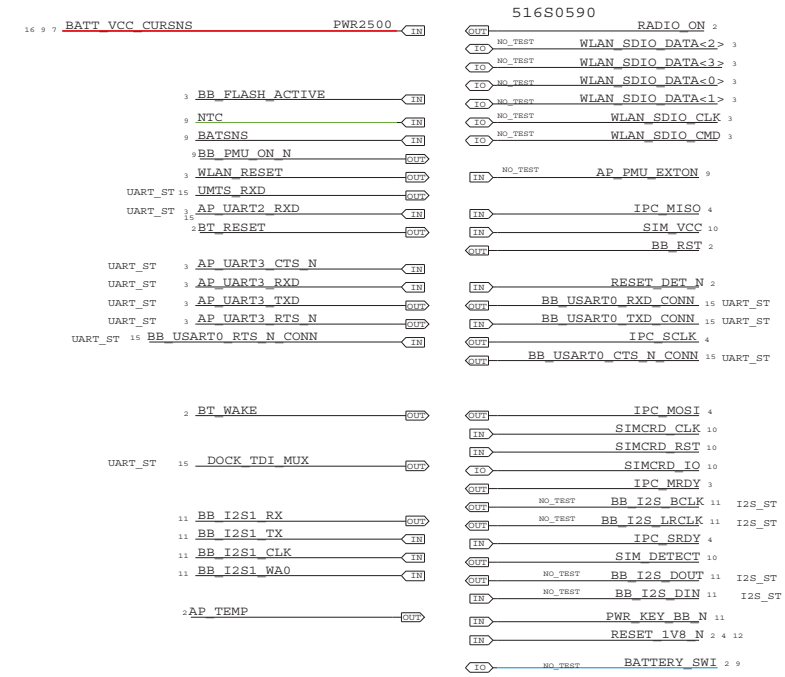
II NOT TO REPRODUCE OR COPY IT

III NOT TO REVEAL OR PUBLISH IN WHOLE OR PART

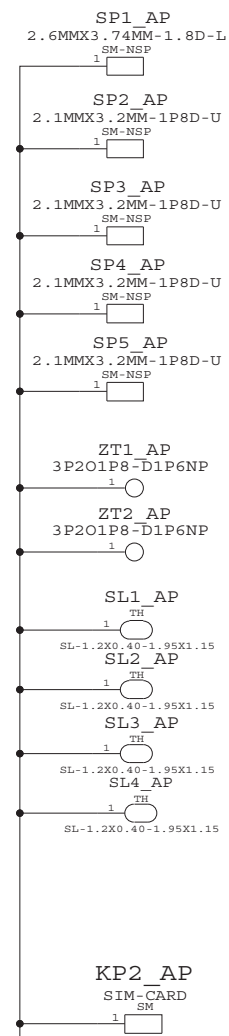
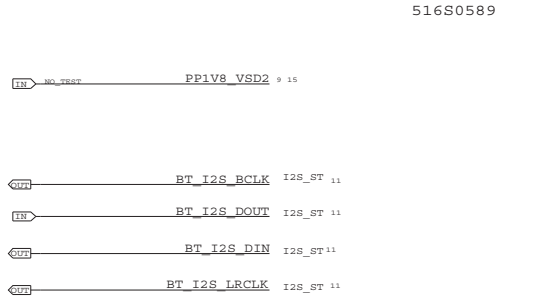
APPLE INC.	SIZE D	DRAWING NUMBER 951-0719	REV. 1
	SCALE NONE	SHEET 14	OF 25



AP/RADIO INTERFACE



RADIO DEBUG CONNECTOR

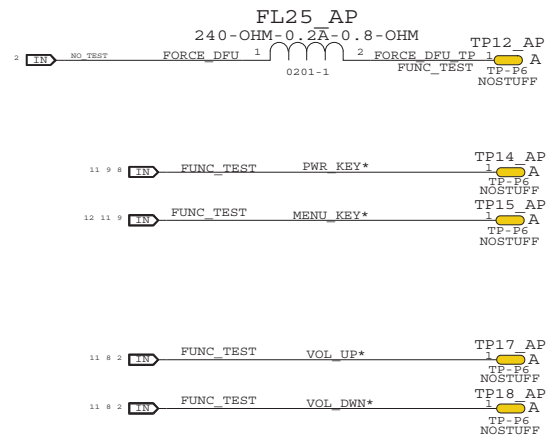


RADIO CONNECTIVITY
 SYNC_MASTER=N/A SYNC_DATE=N/A
NOTICE OF PROPRIETARY PROPERTY
 THE INFORMATION CONTAINED HEREIN IS THE PROPRIETARY PROPERTY OF APPLE COMPUTER, INC. THE POSSESSOR AGREES TO THE FOLLOWING
 I TO MAINTAIN THE DOCUMENT IN CONFIDENCE
 II NOT TO REPRODUCE OR COPY IT
 III NOT TO REVEAL OR PUBLISH IN WHOLE OR PART

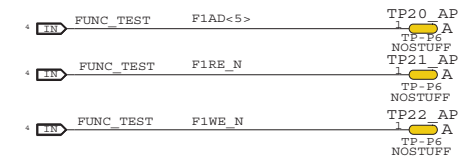
APPLE INC.	SIZE	DRAWING NUMBER	REV.
	D	951-0719	1
SCALE	SHT 15 OF 25		

TEST POINTS

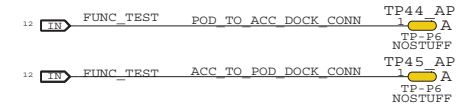
GPIO



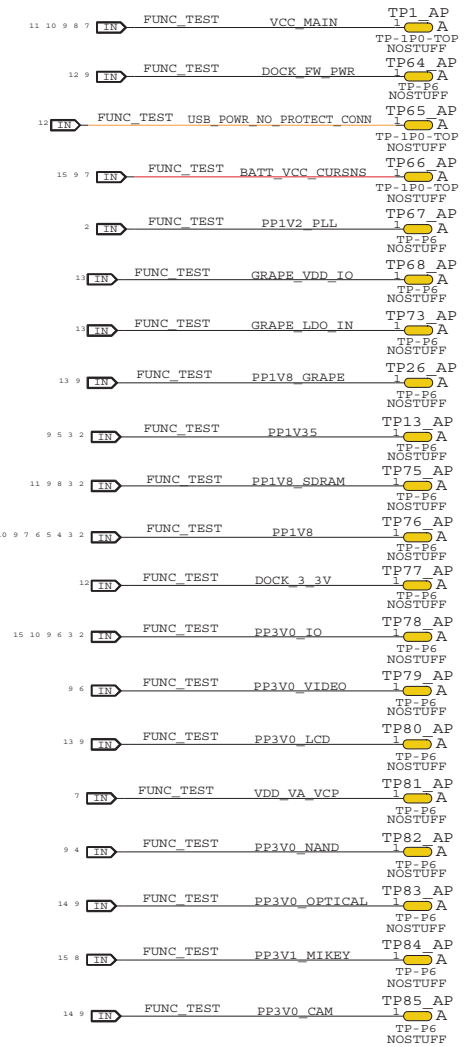
NAND



UART



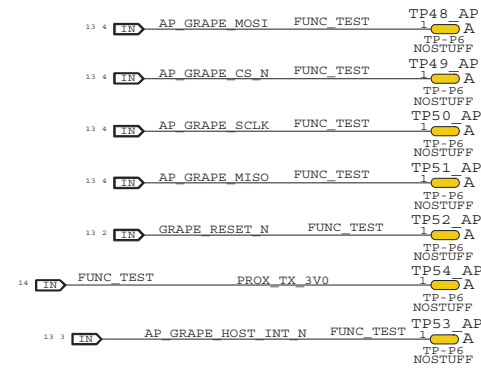
POWER



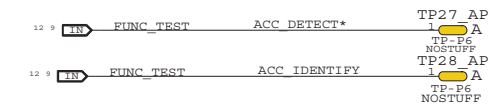
CLOCKS



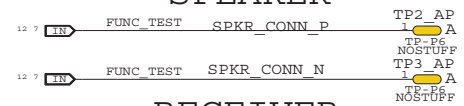
NIMBUS



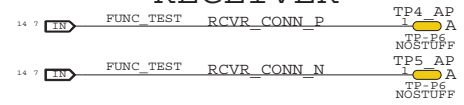
ACCESSORY DETECT



AUDIO SPEAKER



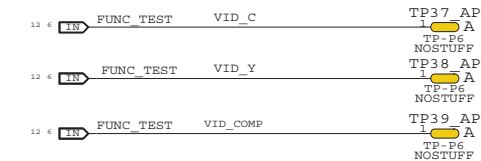
RECEIVER



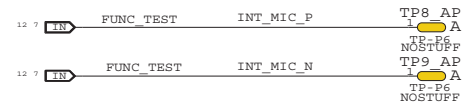
I2C PINS



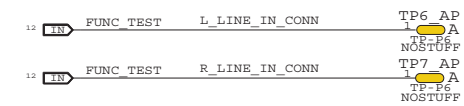
VIDEO



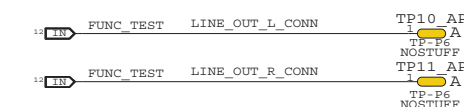
MIC



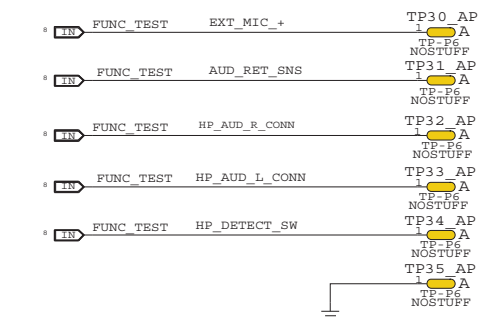
LINE IN



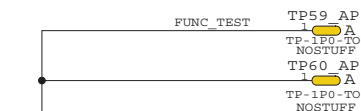
LINE OUT



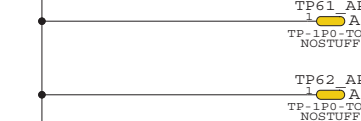
HEADPHONE



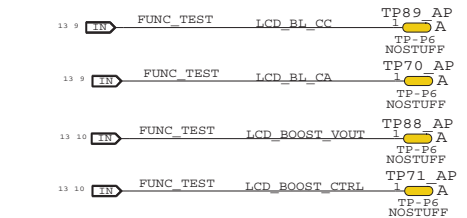
POWER GND



SIGNAL GND



LCD



RESERVED FOR OUTPUT OF LDO

PROX, ALS

SYNC_MASTER=N/A SYNC_DATE=N/A

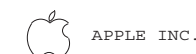
NOTICE OF PROPRIETARY PROPERTY

THE INFORMATION CONTAINED HEREIN IS THE PROPRIETARY PROPERTY OF APPLE COMPUTER, INC. THE POSSESSOR AGREES TO THE FOLLOWING

I TO MAINTAIN THE DOCUMENT IN CONFIDENCE

II NOT TO REPRODUCE OR COPY IT

III NOT TO REVEAL OR PUBLISH IN WHOLE OR PART



APPLE INC.

SIZE	DRAWING NUMBER	REV.
D	951-0719	1
SCALE	SHT	OF
NONE	16	25