

6

5

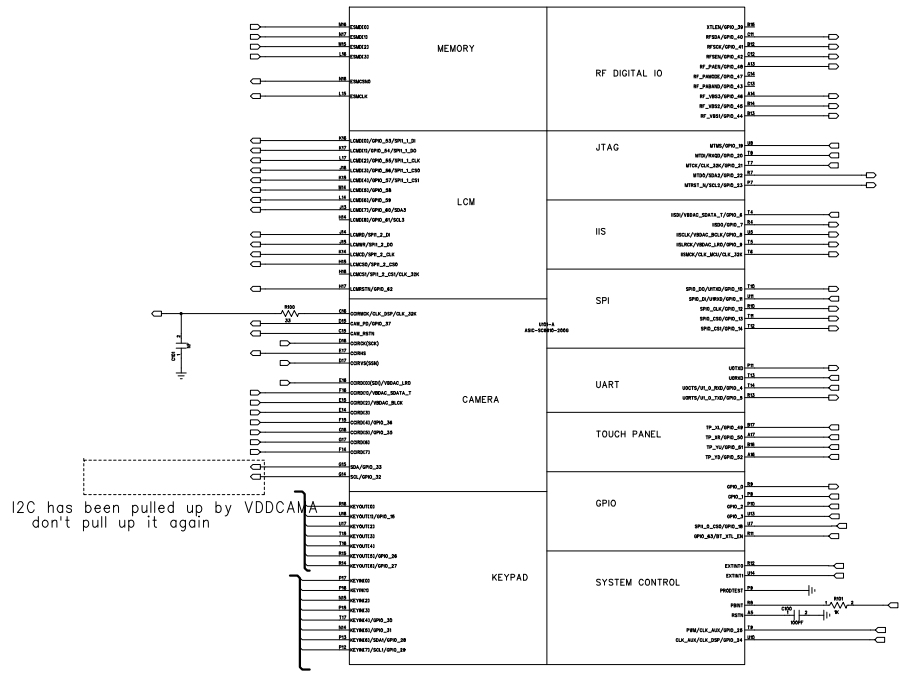
4

3

2

1

| REVISION RECORD |         |          |      |
|-----------------|---------|----------|------|
| REV             | REV NO. | APPROVED | DATE |
|                 |         |          |      |
|                 |         |          |      |



| TITLE & REV |  |  |  |
|-------------|--|--|--|
|             |  |  |  |
|             |  |  |  |

| DESIGNER | DATE       | DEPARTMENT |
|----------|------------|------------|
|          | 2011-02-16 |            |
| DRAWN    | DATE       | COMPANY    |
|          | 2011-02-16 |            |
| APPROVED | DATE       |            |
|          | 2011-02-16 |            |

CONFIDENTIAL AND PROPRIETARY SHEET 1 OF 6



6

5

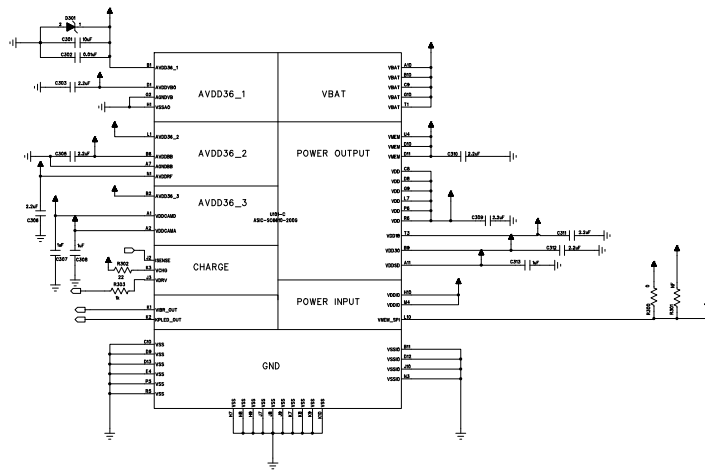
4

3

2

1

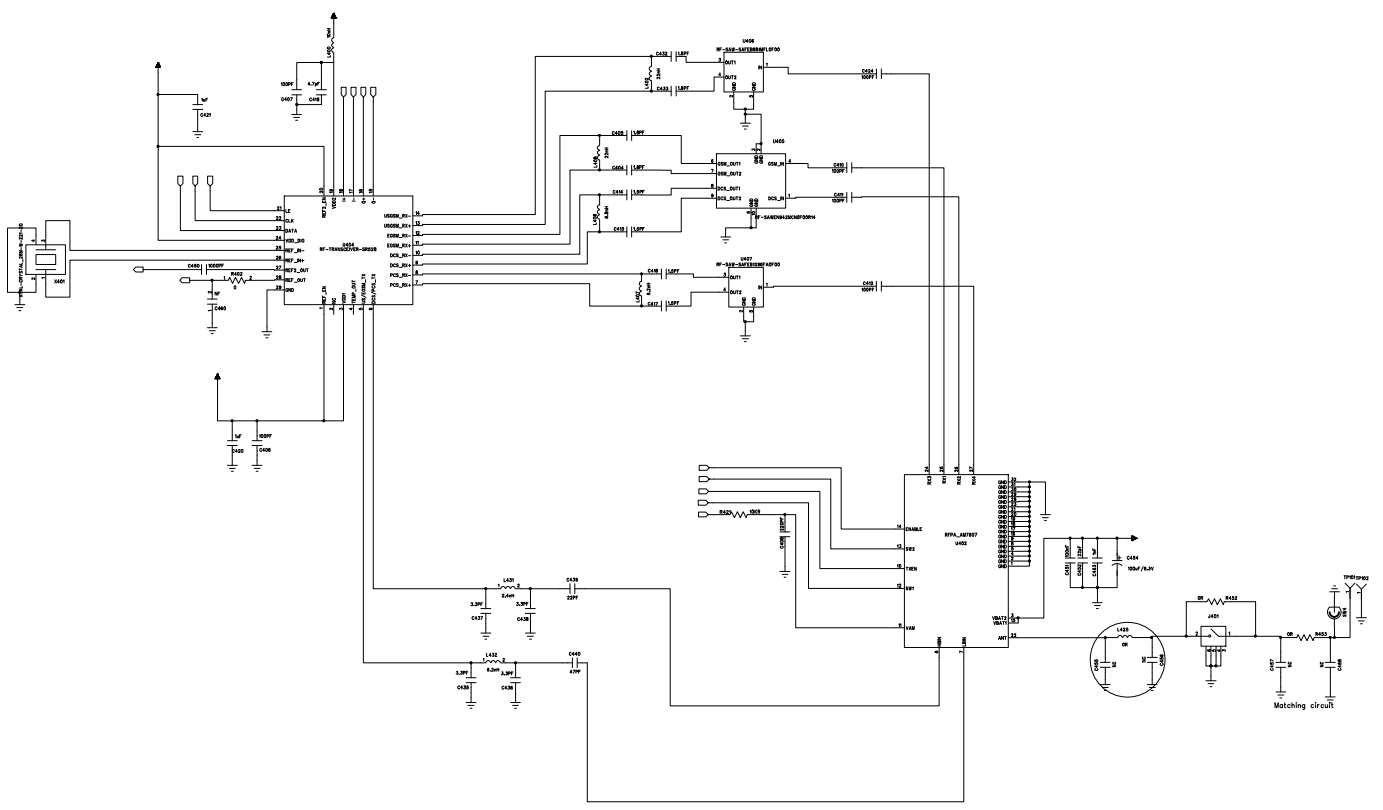
| REVISION RECORD |         |          |      |
|-----------------|---------|----------|------|
| REV             | REV NO. | APPROVAL | DATE |
|                 |         |          |      |
|                 |         |          |      |



| TITLE & REV:  |       |                              |
|---------------|-------|------------------------------|
| DOCUMENT NO.: |       |                              |
| DESIGNED BY:  | DATE: | DEPARTMENT:                  |
| DRAWN BY:     | DATE: | COMPANY:                     |
| APPROVED BY:  | DATE: |                              |
| 2011-02-14    |       | CONFIDENTIAL AND PROPRIETARY |
| 2011-02-14    |       | SHEET 3 OF 6                 |

6 5 4 3 2 1

| REVISION RECORD |          |          |      |
|-----------------|----------|----------|------|
| LT#             | REV. NO. | APPROVED | DATE |
|                 |          |          |      |
|                 |          |          |      |



| TITLE & REV:                 |                  |
|------------------------------|------------------|
| DOCUMENT NO:                 |                  |
| DESIGNER:                    | DATE: 2011-02-14 |
| CHK:                         | DATE: 2011-02-14 |
| APPROVED:                    | DATE: 2011-02-14 |
| DEPARTMENT:                  |                  |
| COMPANY:                     |                  |
| CONFIDENTIAL AND PROPRIETARY |                  |

SHEET 1 OF 16

6

5

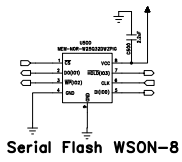
4

3

2

1

| REVISION RECORD |         |          |      |
|-----------------|---------|----------|------|
| REV             | REV NO. | APPROVED | DATE |
|                 |         |          |      |
|                 |         |          |      |
|                 |         |          |      |



Serial Flash WSON-8

TITLE & REV:

DOCUMENT NO.:

|          |            |            |
|----------|------------|------------|
| DESIGNED | DATE       | DEPARTMENT |
|          | 2011-02-14 |            |

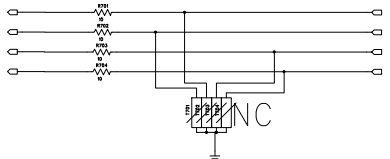
|       |            |         |
|-------|------------|---------|
| DRAWN | DATE       | COMPANY |
|       | 2011-02-14 |         |

|          |            |         |                              |              |
|----------|------------|---------|------------------------------|--------------|
| APPROVED | DATE       | COMPANY | CONFIDENTIAL AND PROPRIETARY | SHEET 1 OF 1 |
|          | 2011-02-14 |         |                              |              |

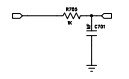
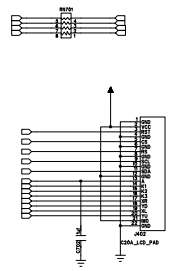
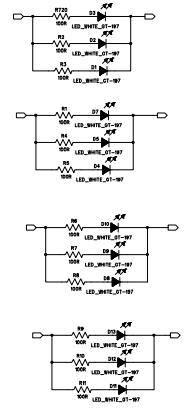


6 5 4 3 2 1

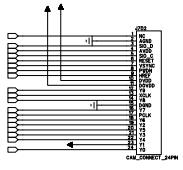
| REVISION RECORD |         |          |      |
|-----------------|---------|----------|------|
| REV             | LED NO. | APPROVAL | DATE |
|                 |         |          |      |
|                 |         |          |      |



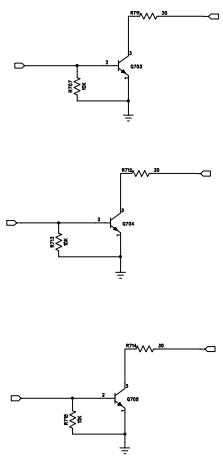
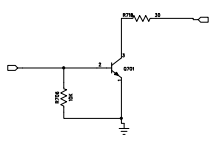
NOTE: Do not change the Touchpanel Circuit



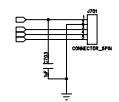
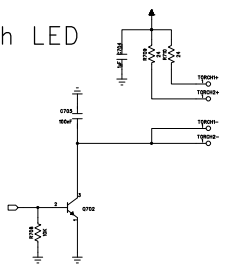
camera



FLASH\_LED/Camer2PDN



Torch LED



| TITLE & REV:  |            |             |  |
|---------------|------------|-------------|--|
| DOCUMENT NO.: |            |             |  |
| DESIGNED:     | DATE:      | DEPARTMENT: |  |
|               | 2011-02-14 |             |  |
| CHK:          | DATE:      | COMPANY:    |  |
|               | 2011-02-14 |             |  |
| APPROVED:     | DATE:      |             |  |
|               | 2011-02-14 |             |  |







6

5

4

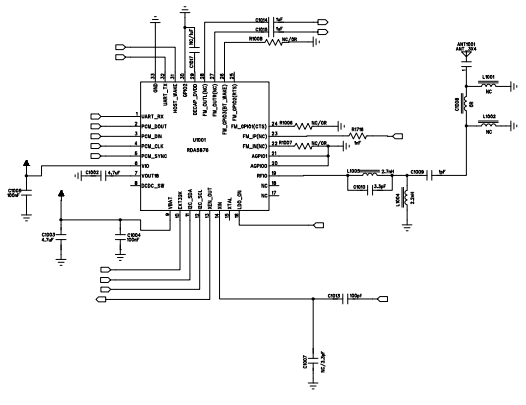
3

2

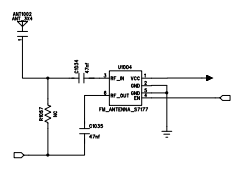
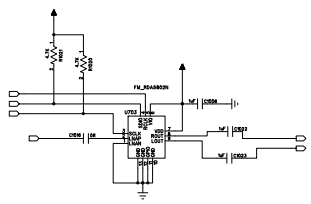
1

| REVISION RECORD |         |          |      |
|-----------------|---------|----------|------|
| REV             | REV NO. | APPROVAL | DATE |
|                 |         |          |      |
|                 |         |          |      |

### BT\_RDA5875/76



### FM



|               |                  |
|---------------|------------------|
| TITLE & REV:  |                  |
| DOCUMENT NO.: |                  |
| DESIGNER:     | DATE: 2011-02-14 |
| CHK:          | DATE: 2011-02-14 |
| APPROVER:     | DATE: 2011-02-14 |

|                              |          |
|------------------------------|----------|
| DEPARTMENT:                  | COMPANY: |
| CONFIDENTIAL AND PROPRIETARY |          |