

Service Schematics

NOKIA 2220 SLIDE

RM-590/RM-591



IMPORTANT

This document is intended for use by authorized Nokia service centers only. Please use the document together with other documents such as the Service Manual and Service Bulletins.

Version information

While every effort has been made to ensure that the document is accurate, some errors may exist. Please always check for the latest published version for this document.

If you find any errors in the document please send email to:
TrainingAndVendorDevelopment@nokia.com

Version history

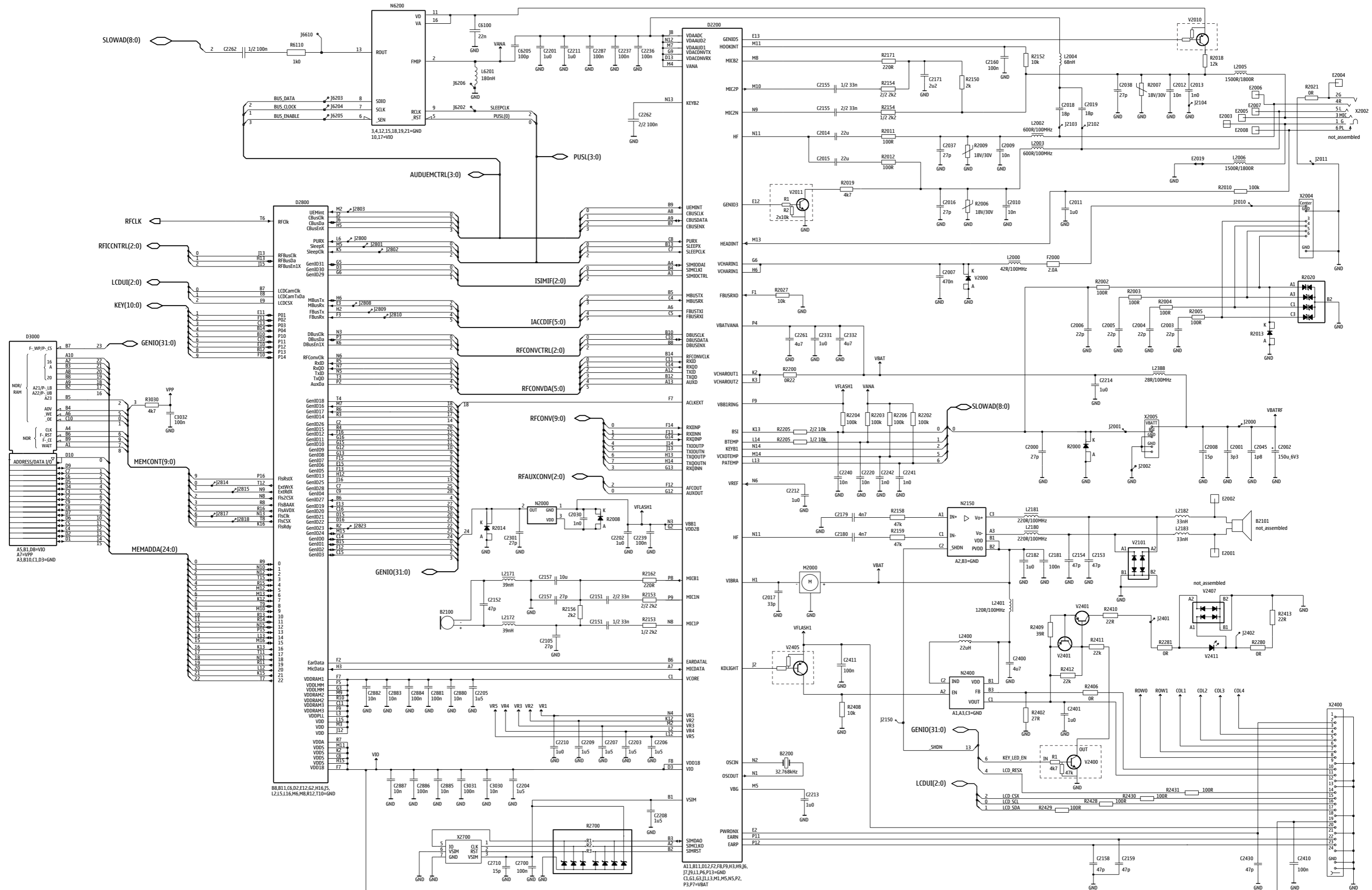
1.0 First Approved version.

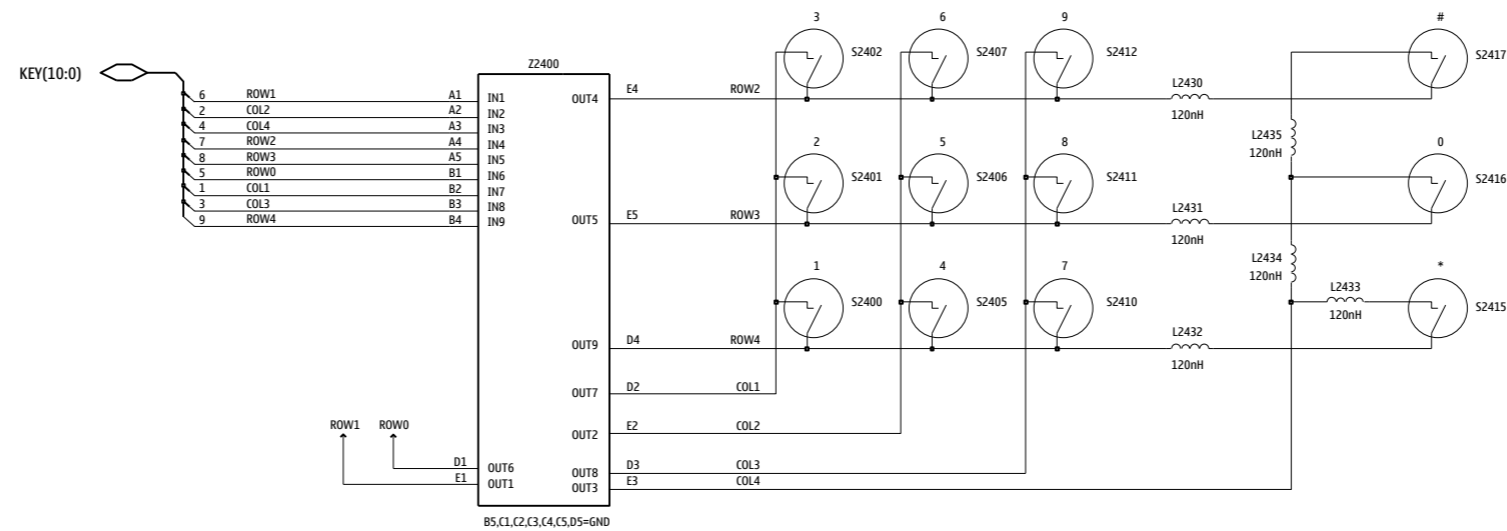
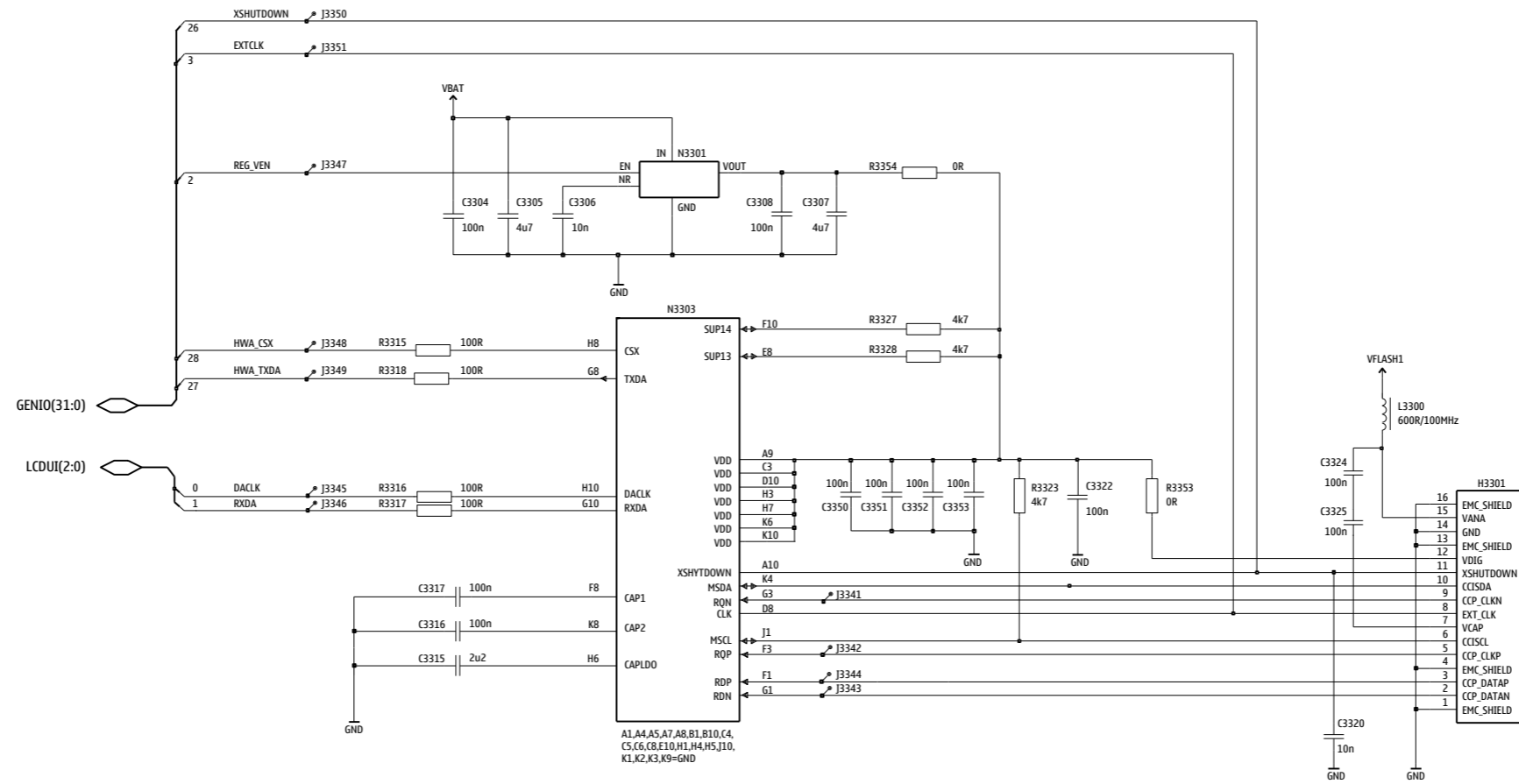
Table of Contents

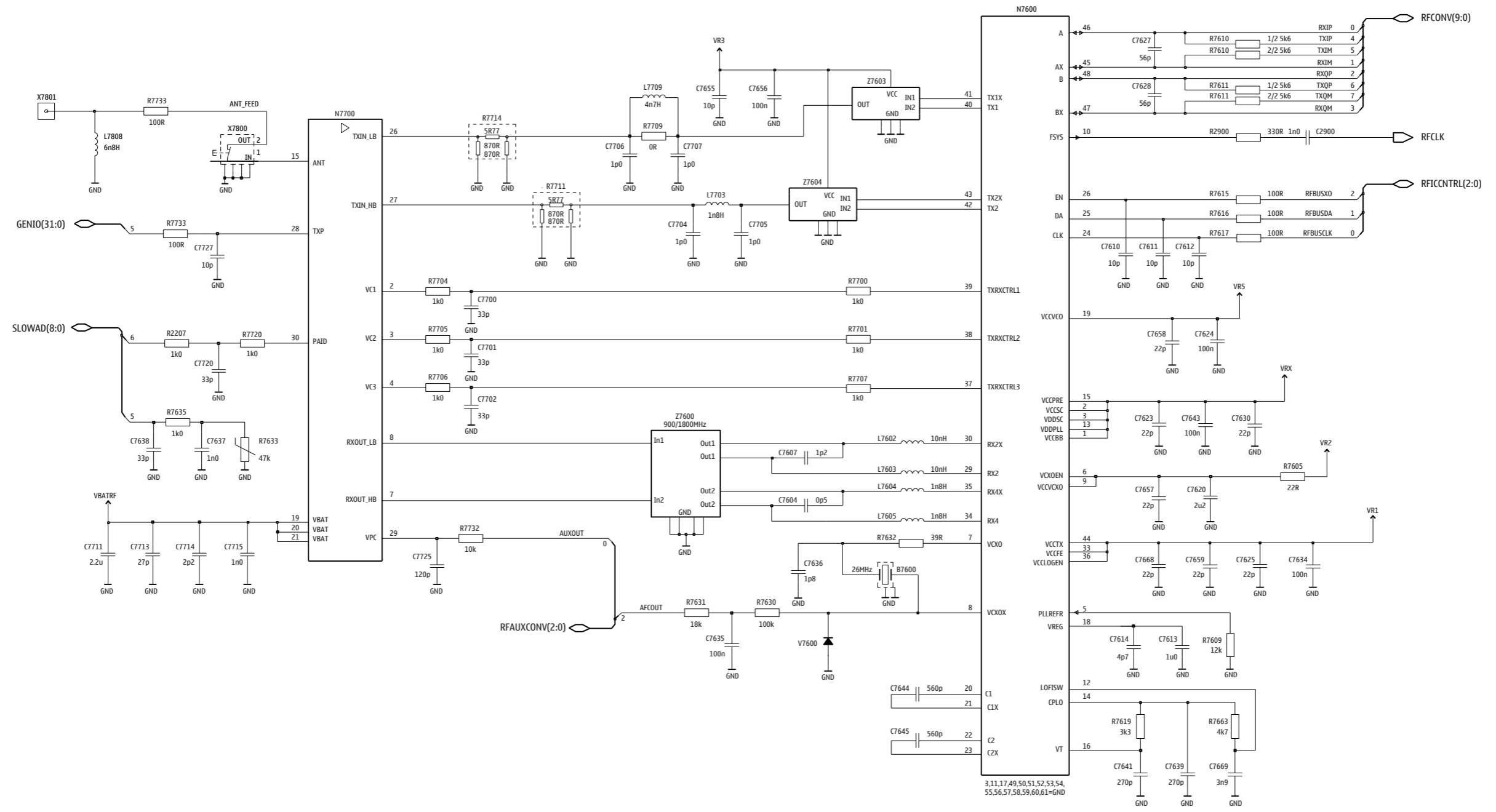
Front page	1
UPP, UEMCLITE, Memory, Audio, FM, UIHW	2
UIHW, Keyboard	3
RF part	4
Component Finder Top	5

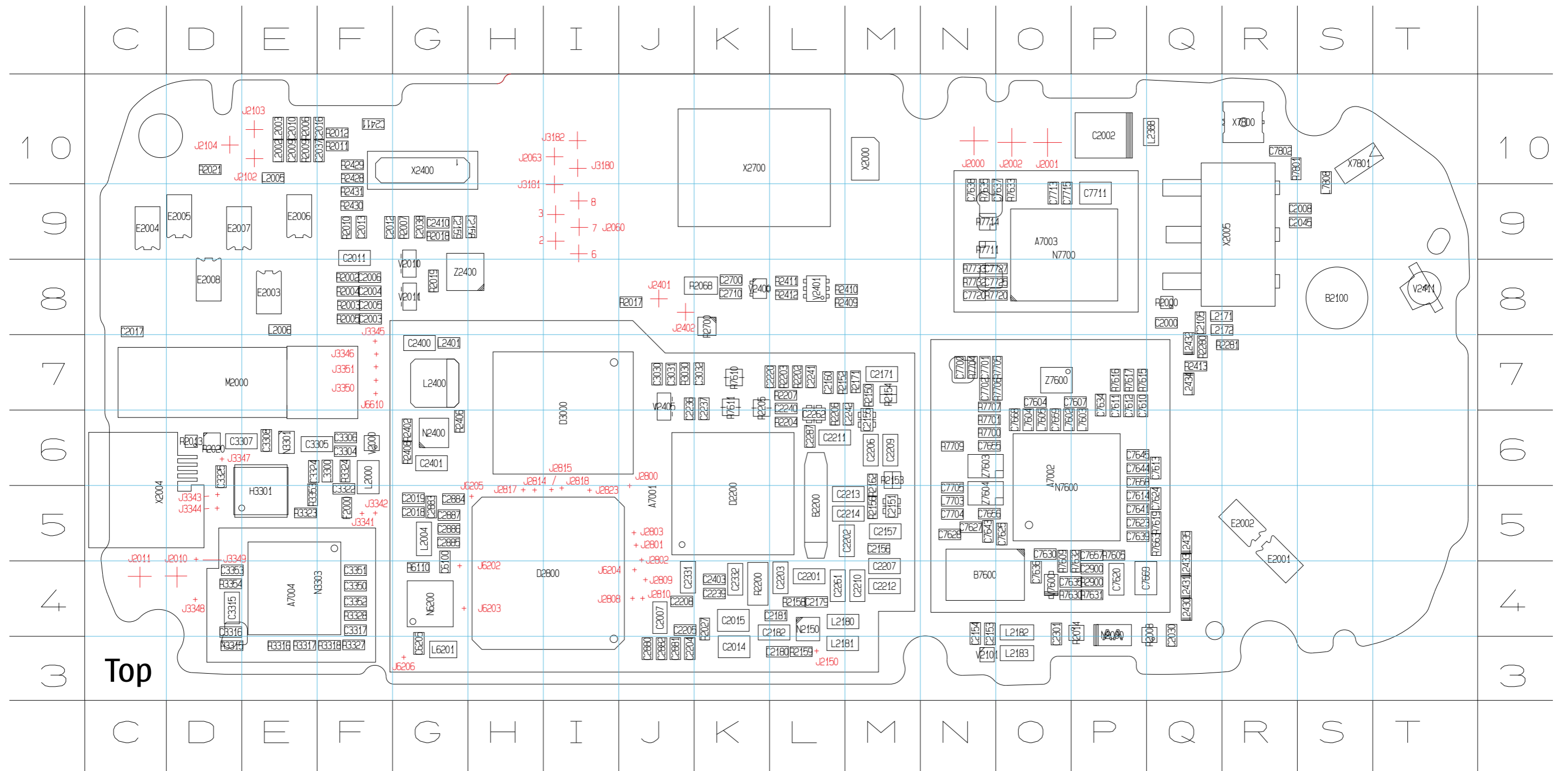
Copyright © Nokia

This material, including documentation and any related computer programs is protected by copyright, controlled by Nokia. All rights are reserved. Copying, including reproducing, modifying, storing, adapting or translating any or all of this material requires the prior written consent of Nokia. This material also contains company confidential information, which may not be disclosed to others without the prior written consent of Nokia.









A	C2005	F8	C2019	G5	C2160	L7	C2209	M6	C2262	L6	C2882	J3	C3308	E6	C7607	P7	C7635	O4	C7668	O6	D	F2000	F5	L2182	O4	L7603	P6	N7600	O5	R2012	F10	R2156	M5	R2402	G6	R3030	J7	R7610	K7	R7704	N7	V2011	G8	X7801	S10	
A7001	J5	C2006	F8	C2030	Q4	C2171	M7	C2210	M4	C2287	L6	C2883	G5	C3315	D4	C7610	P7	C7636	O4	C7669	P4	D2200	K5	H	L2183	O3	L7604	O6	N7700	O9	R2013	D6	R2158	L4	R2406	G6	R3315	D3	R7611	K7	R7705	O7	V2101	N3	Z	
A7002	O6	C2007	J4	C2037	F10	C2179	L4	C2211	L6	C2301	O4	C2884	G5	C3316	D4	C7611	P7	C7637	O9	C7700	N7	D2800	I4	H3301	E5	L2388	Q10	L7605	O6	R	R2014	P4	R2159	L3	R2408	G6	R3316	E3	R7615	P7	R7706	O7	V2400	K8	Z2400	G8
A7003	O9	C2008	S9	C2038	G9	C2180	L3	C2212	M4	C2331	J4	C2885	G5	C3317	F4	C7612	P7	C7638	N9	C7701	N7	D3000	I6	L	L2400	G7	L7703	N5	R2000	Q8	R2017	J8	R2162	M6	R2409	M8	R3317	E3	R7616	P7	R7707	N7	V2401	L8	Z7600	O7
A7004	E4	C2009	E10	C2045	S9	C2181	L4	C2213	M5	C2332	K4	C2886	G5	C3322	F5	C7613	Q6	C7639	P5	C7702	N7	E	L2000	F6	L2401	G7	L7808	S10	R2002	F8	R2018	G9	R2171	M7	R2410	M8	R3318	F3	R7617	P7	R7709	N6	V2405	J7	Z7603	N6
B	C2010	E10	C2105	Q8	C2182	L4	C2214	M5	C2400	G7	C2887	G5	C3324	E6	C7614	P5	C7641	P5	C7704	N5	E2001	R5	L2002	E10	L2430	Q4	M	R2003	F8	R2019	G8	R2200	K4	R2411	L8	R3323	E5	R7619	O5	R7711	N9	V2411	T8	Z7604	N5	
B2100	S8	C2011	F9	C2151	M5	C2201	L4	C2220	L7	C2401	G6	C2900	P4	C3325	D6	C7620	P4	C7643	N5	C7705	N5	E2002	R5	L2003	E10	L2431	Q4	M2000	D7	R2004	F8	R2020	D6	R2202	L7	R2412	L8	R3324	F6	R7630	O4	R7714	N9	V7600	O4	
B2200	L5	C2012	F9	C2153	N4	C2202	M5	C2236	J7	C2403	K4	C3030	J7	C3350	F4	C7623	P5	C7644	P6	C7711	P9	E2003	E8	L2004	G5	L2432	Q7	N	R2005	F8	R2021	D10	R2203	L7	R2413	Q7	R3327	F3	R7631	P4	R7720	O8	X			
B7600	N4	C2013	F9	C2154	N4	C2203	L4	C2237	K7	C2410	G9	C3031	J7	C3351	F4	C7624	Q5	C7645	P6	C7713	O9	E2004	C9	L2005	E10	L2433	Q4	N2000	P4	R2006	E10	R2027	K4	R2204	L6	R2428	F10	R3328	F4	R7632	P4	R7732	N8	X2000	M10	
C	C2014	K3	C2155	M6	C2204	J3	C2239	K4	C2411	F10	C3032	K7	C3352	F4	C7625	O5	C7655	N6	C7715	O9	E2005	D9	L2006	E8	L2434	Q7	N2150	L4	R2007	G9	R2068	K8	R2205	K7	R2429	F10	R3353	E5	R7633	O9	R7733	N8	X2004	C5		
C2000	Q8	C2015	K4	C2156	M5	C2205	J4	C2240	L7	C2700	K8	C3304	F6	C3353	D4	C7627	N5	C7656	N5	C7720	N8	E2006	E9	L2171	Q8	L2435	Q5	N2400	G6	R2008	Q4	R2150	M7	R2206	L6	R2430	F9	R3354	D4	R7635	N9	R7801	R10	X2005	R9	
C2002	P10	C2016	F10	C2157	M5	C2206	M6	C2241	L7	C2710	K8	C3305	E6	C6100	G4	C7628	N5	C7657	P5	C7725	O8	E2007	D9	L2172	Q8	L3300	F6	N3301	E6	R2009	E10	R2152	L7	R2207	L7	R2431	F9	R6110	G4	R7663	Q5	V	X2400	G10		
C2003	F8	C2017	C8	C2158	H9	C2207	M4	C2242	M6	C2880	J3	C3306	F6	C6205	G3	C7630	O5	C7658	P6	C7727	O8	E2008	D8	L2180	L4	L6201	G3	N3303	E4	R2010	F9	R2153	M6	R2280	Q7	R2700	K8	R7605	P5	R7700	N6	V2000	F6	X2700	K10	
C2004	F8	C2018	G5	C2159	G9	C2208	J4	C2261	L4	C2881	J3	C3307	D6	C7604	O7	C7634	P7	C7659	O6	C7802	R10	F	L2181	L3	L7602	O6	N6200	G4	R2011	F10	R2154	M7	R2281	R7	R2900	P4	R7609	O4	R7701	N6	V2010	G8	X7800	R10		