

Service Manual



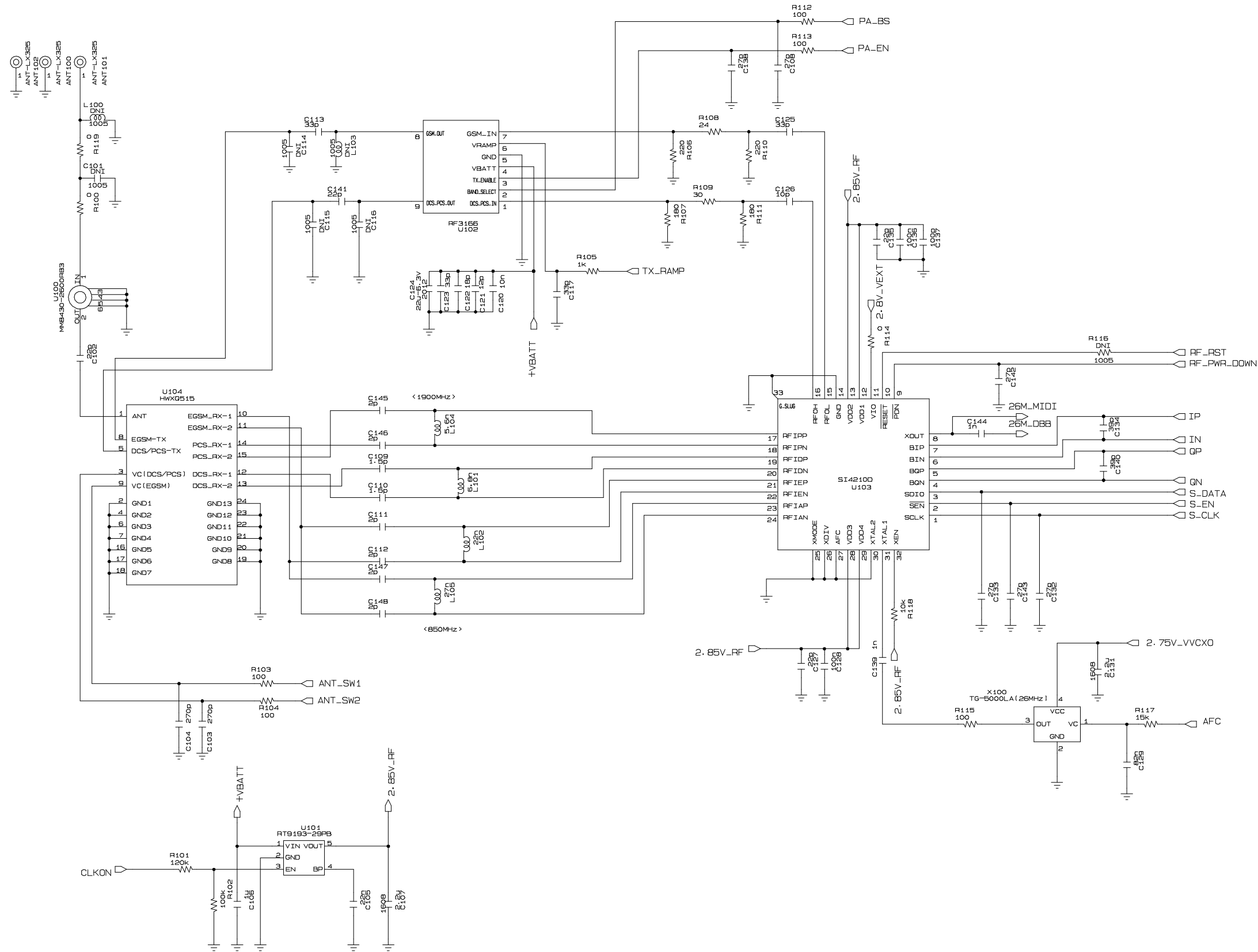
Service Manual

MG125a



Model : MG125a

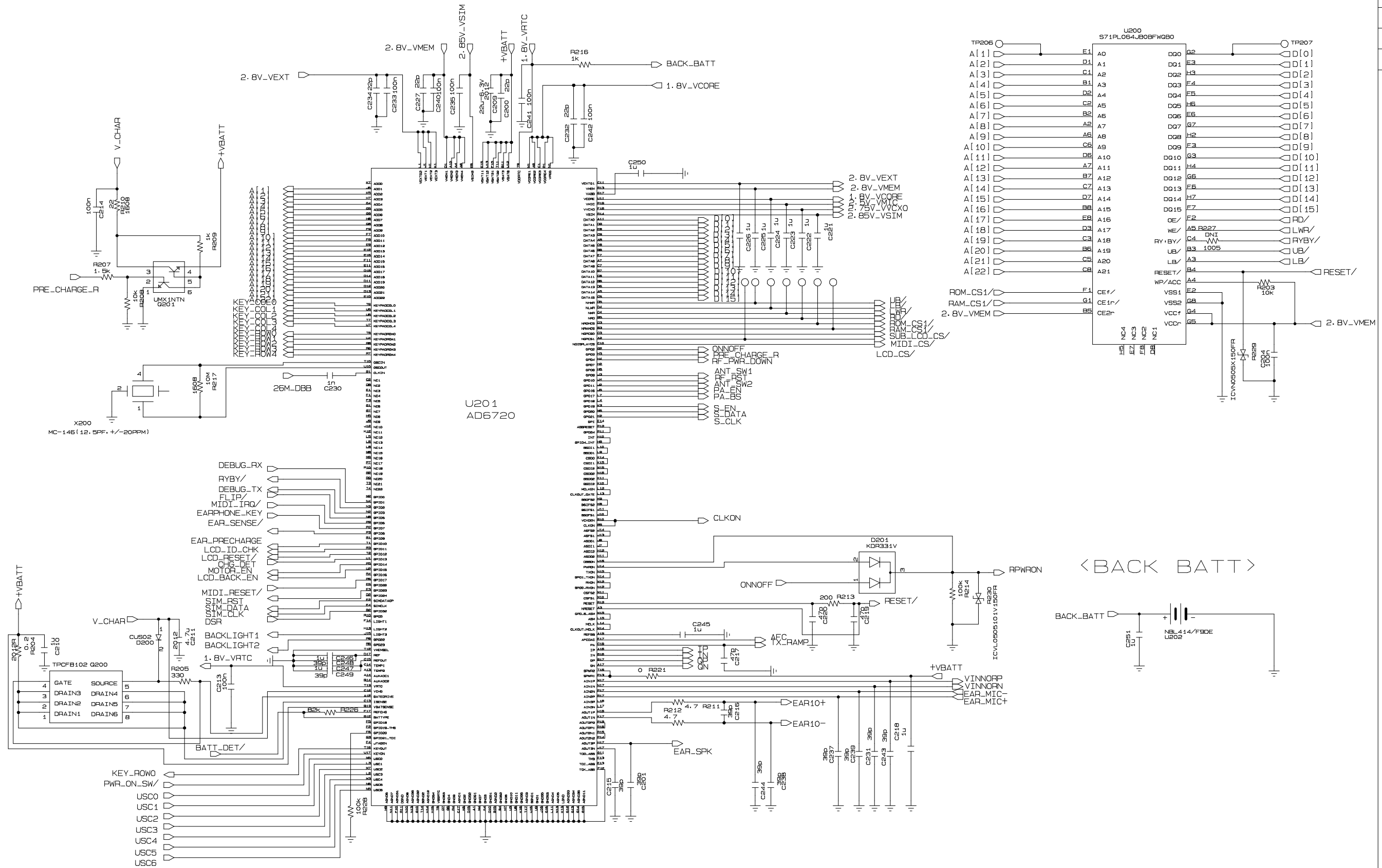




A->B
 ADD SHEET :
 26M_MIDI
 ADD :
 R116 (100->DNI)
 CHANGE :
 C100->R119
 L100 (4.7n->DNI)
 C101 (1p->DNI)
 B->C
 C145, C146
 (0.75p->2p)
 L104 :
 (8.2n->5.6n)
 C111, C112 :
 (1.5p->2p)
 C147, C148 :
 (1p->2p)
 L102
 (27n->22n)
 L105
 (33n->27n)
 C107
 (4.7u->2.2u)
 R101 (0->33K)
 ADD : Q100
 C105 (10n->22n)
 C->D
 CHANGE :
 R101
 (33K->120K)
 DELETE :
 Q100

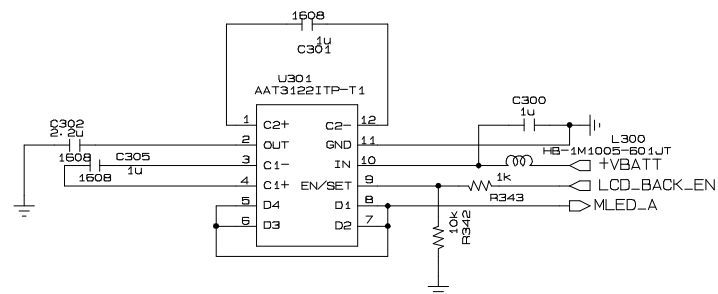
< AD6720 >

< MEMORY >

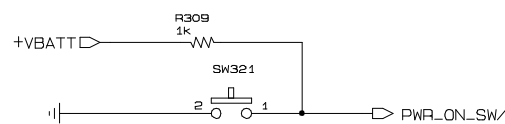


- A->B
 DELETE SHEET :
 SPK_P SPK_N
 DELETE :
 R224 R202
 R200
 C202 : C203
 C205 : C206
 C207 ;
 CHANGE :
 C204
 (10u->100n)
 C208->R229
 ADD :
 R228
 C251 (1u)
 B->C
 ADD :
 R230

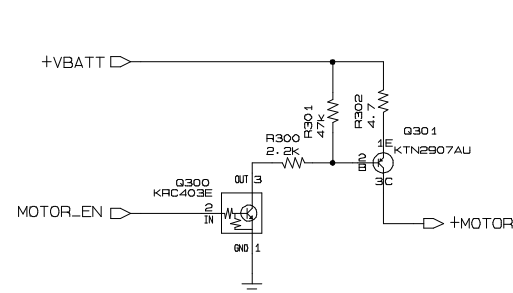
<CHARGE PUMP>



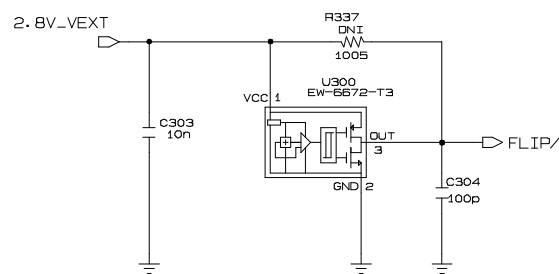
<POWER ON/OFF SWITCH>



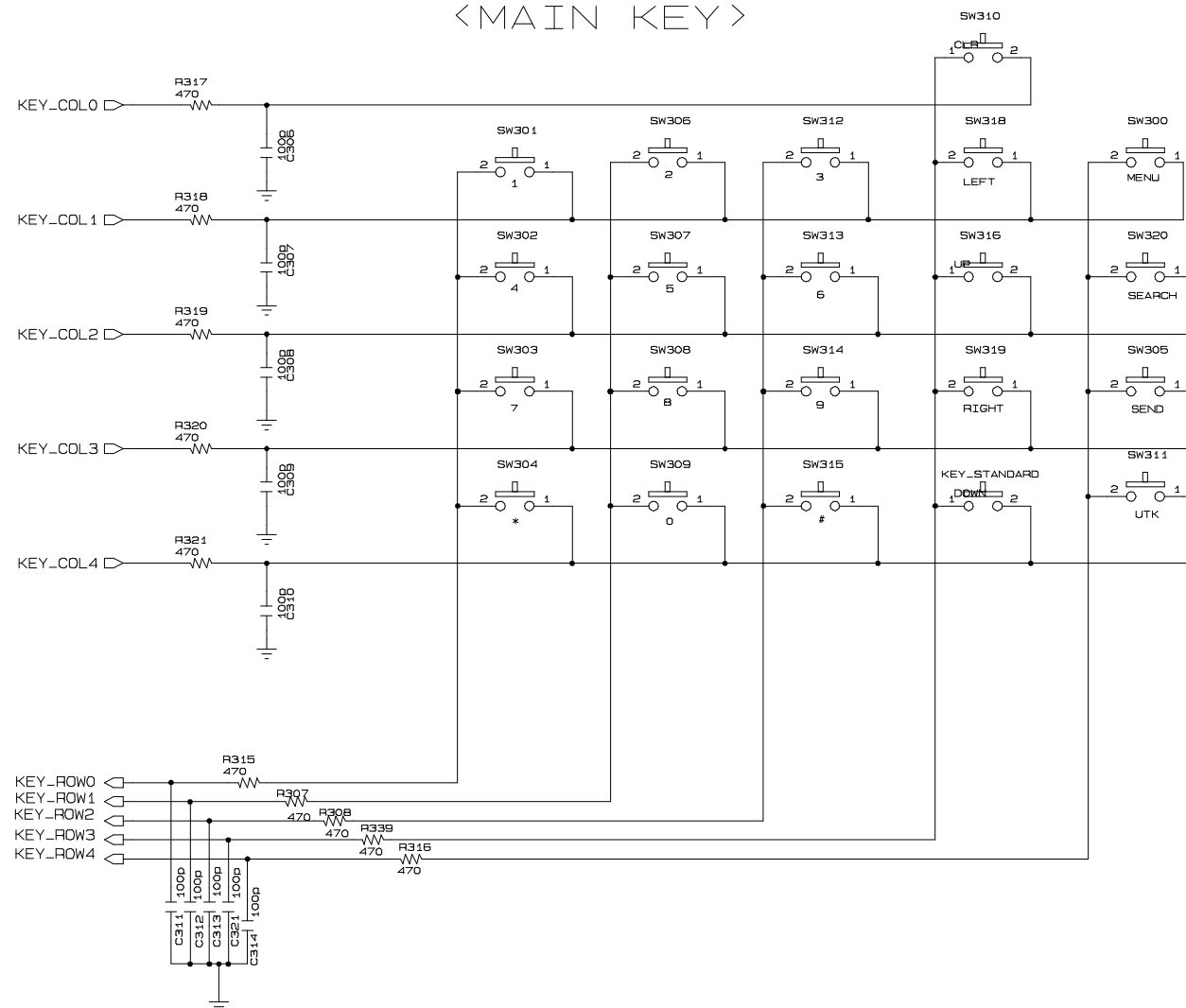
<MOTOR>



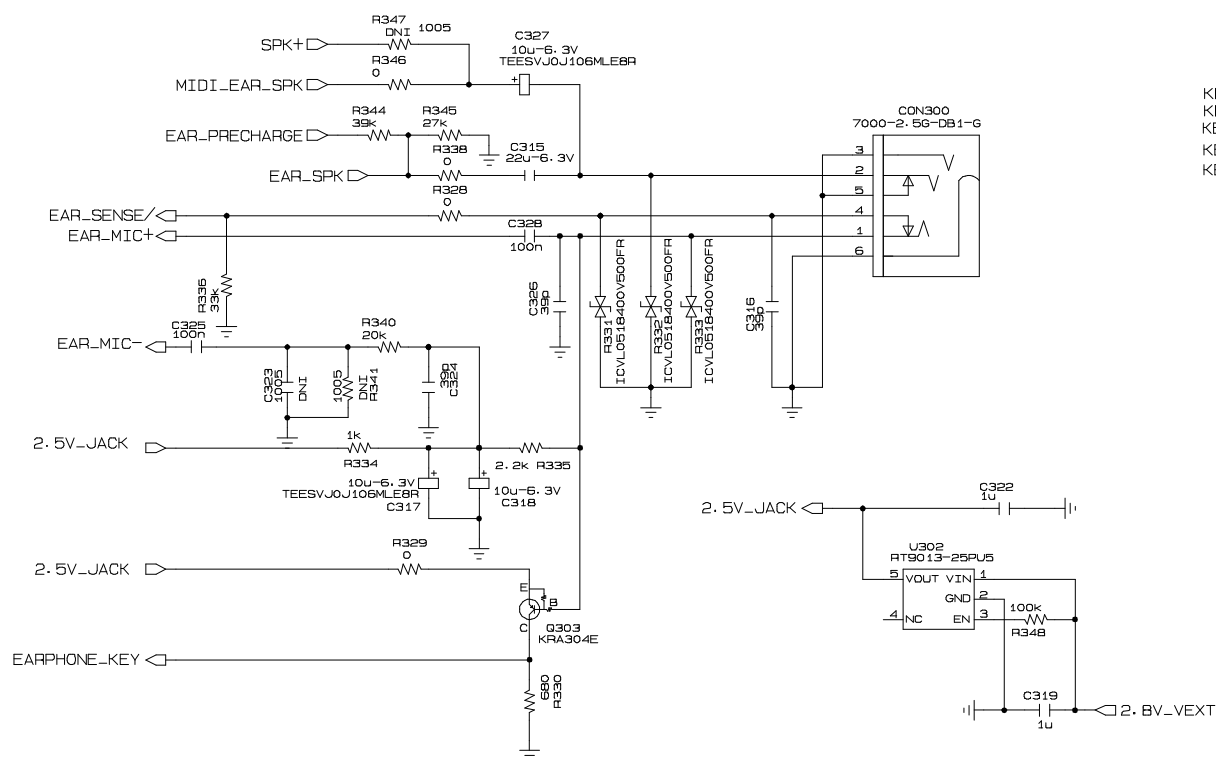
<FLIP S/W>



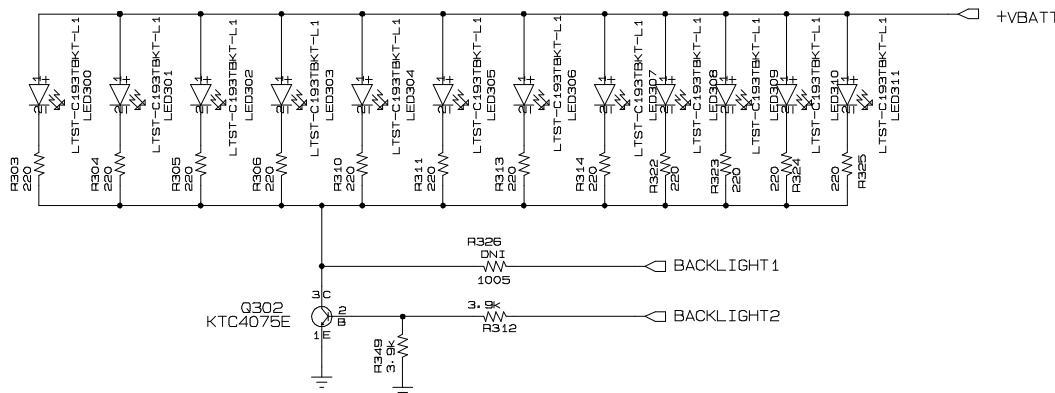
<MAIN KEY>



<EAR MIC JACK>

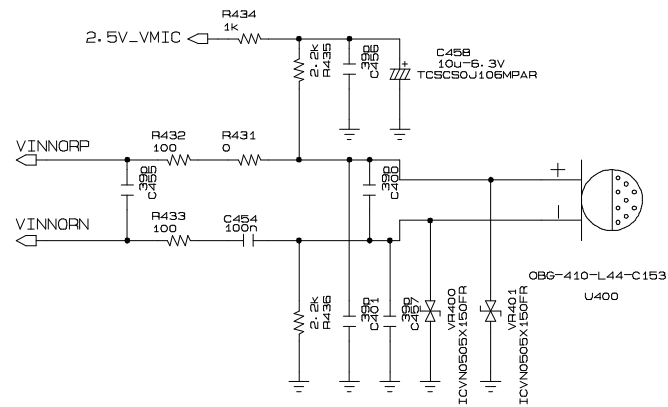


<KEYPAD LED>

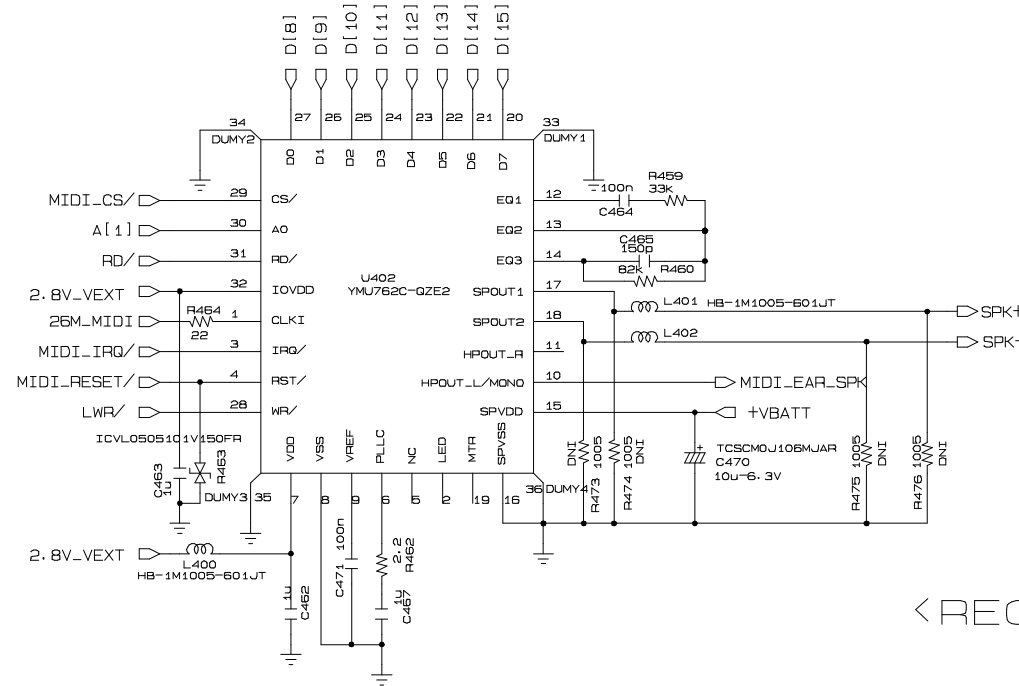


A->B
 ADD SHEET :
 MIDI_EAR_SPK
 ADD :
 C327
 R346(0)
 R347(DNI)
 CHANGE :
 R327->C328
 C316 :
 (10n->39p)
 R336 :
 (100k->33k)
 B->C
 C302
 1u->2.2u
 ADD : L300
 R348(100K)
 CHANGE :
 U302
 C->D
 ADD :
 R349(3.9K)
 CHANGE :
 R312
 (1K->3.9K)

<MIC>



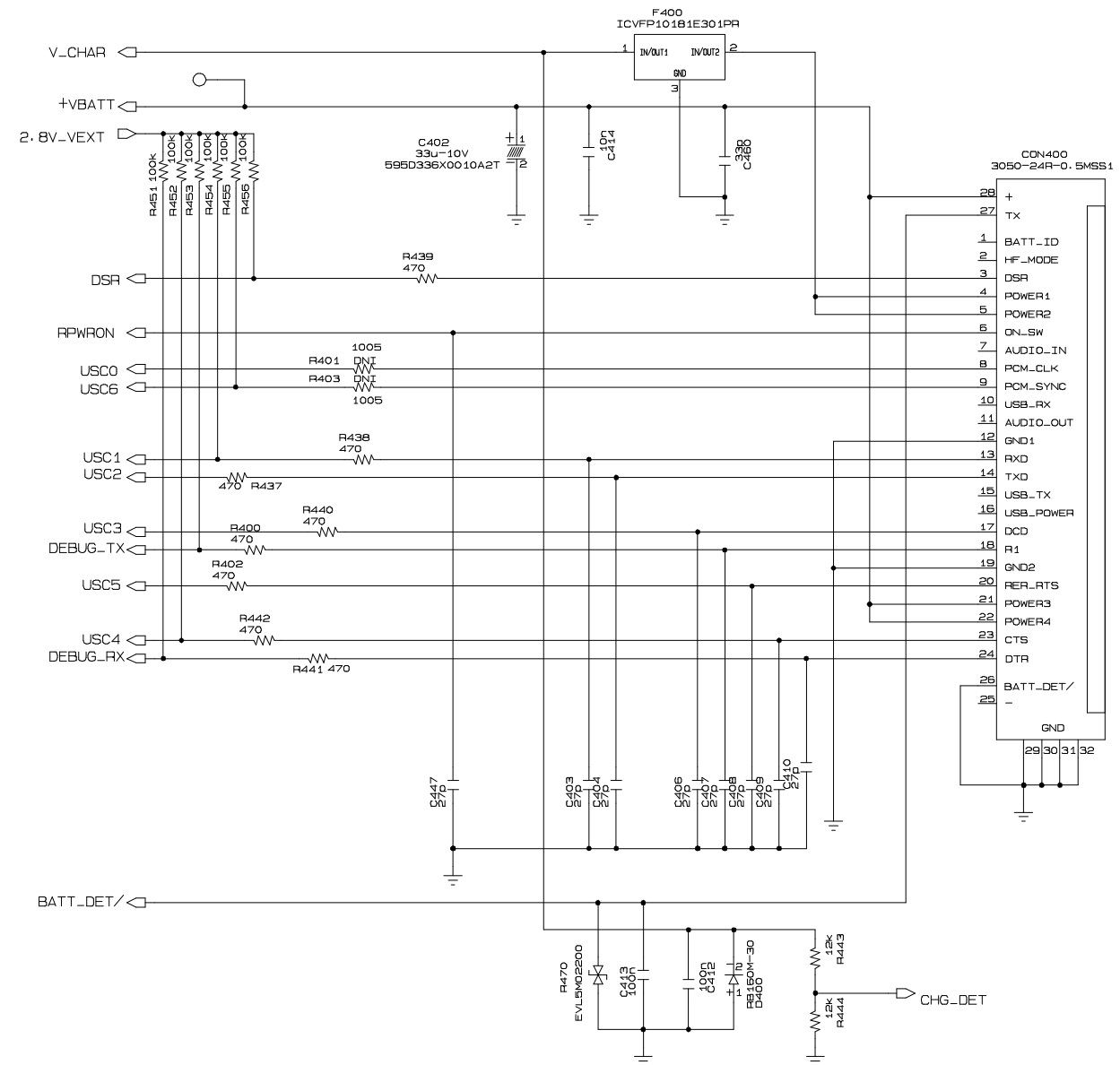
<MIDI PART>



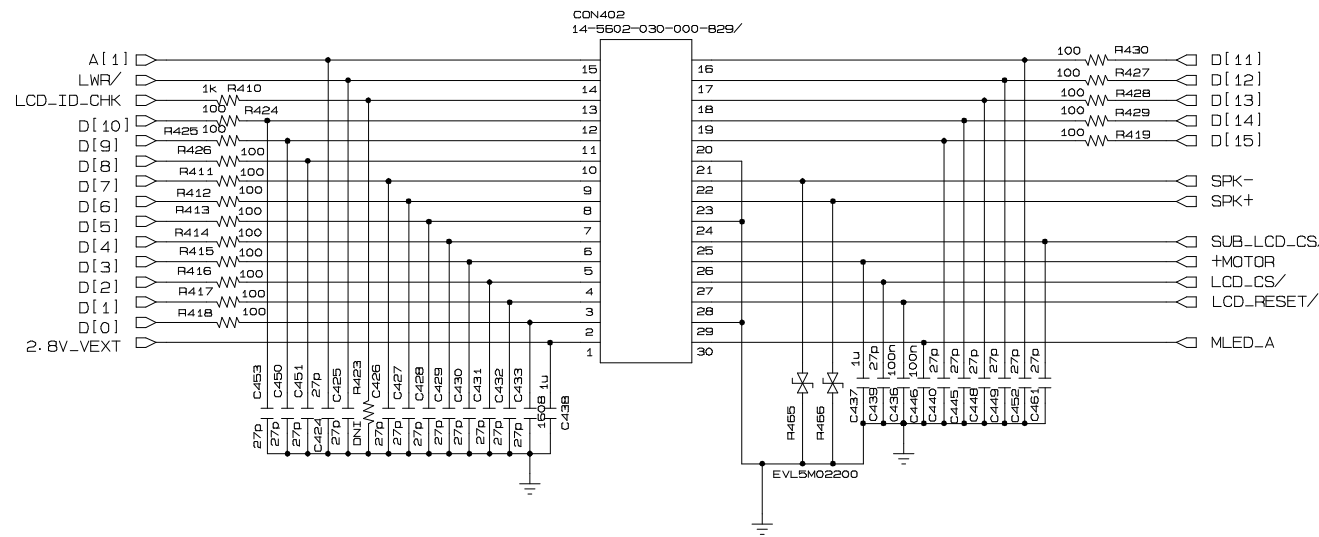
<RECEIVE PART>



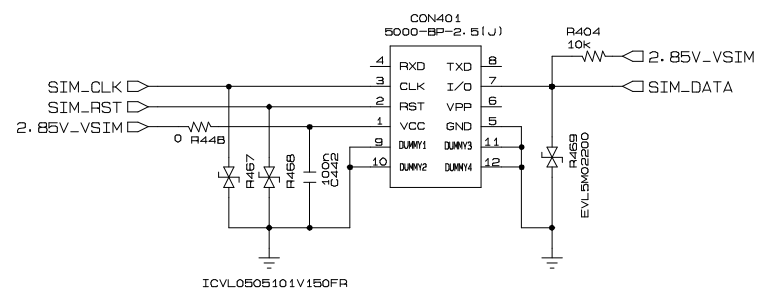
<RECEPTACLE with DC JACK>



<LCD CONNECTOR>



<SIM SOCKET>



A->B

ADD :

MIDI PART
TERMINAL PAD
DELETE :

AUDIO AMP
B->C

ADD :

R463, R470
C473, C474
CHANGE :

C472->R464
C434->R465
C435->R466
C444->R467
C443->R468
C441->R469

C->D

DELETE :

C473, C474

CHANGE :

C412
(1n->0.1u)
C413
(33p->0.1u)

D->1.0

ADD :

R473 R474
R475 R476

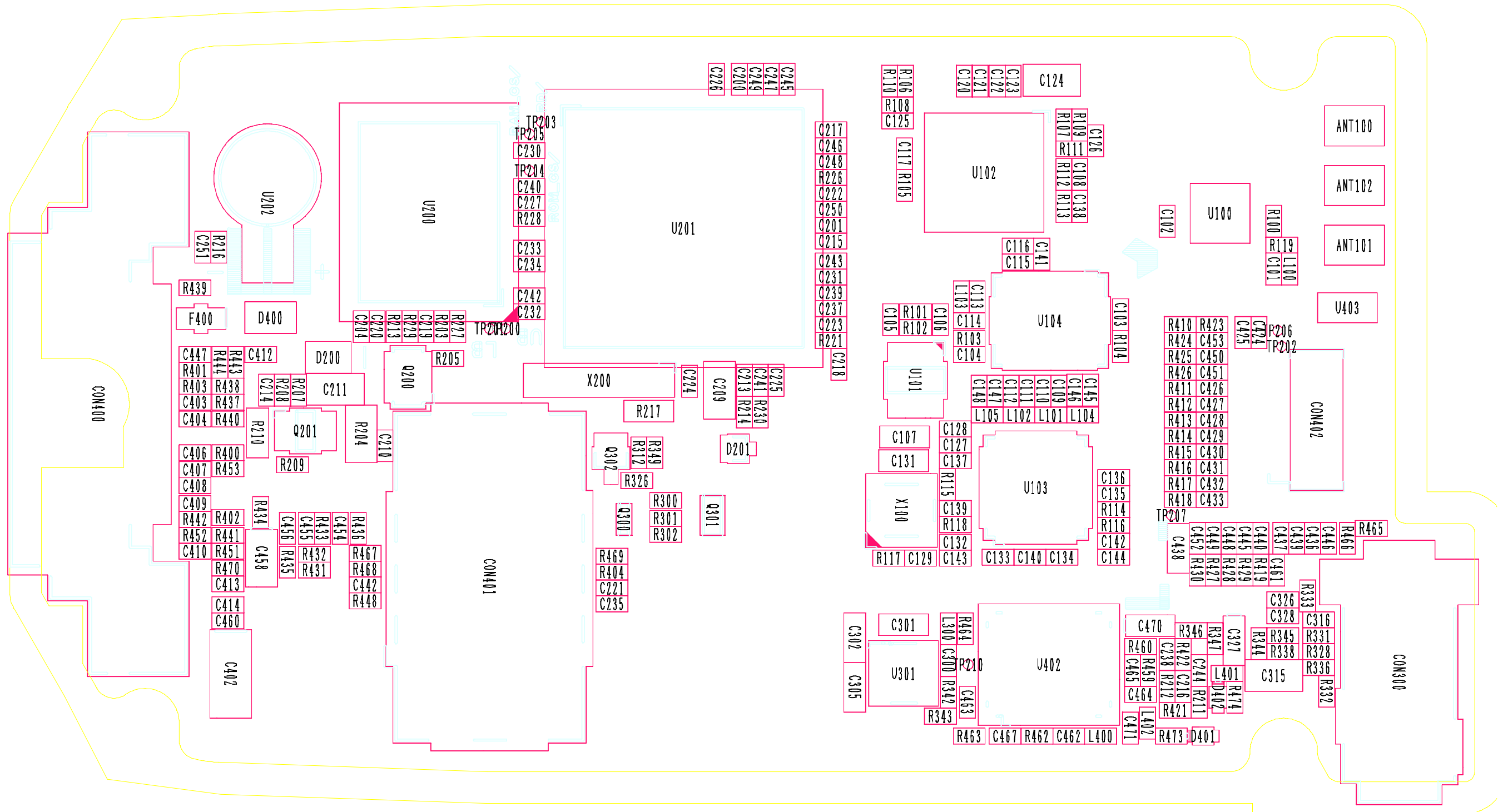
L401 L402

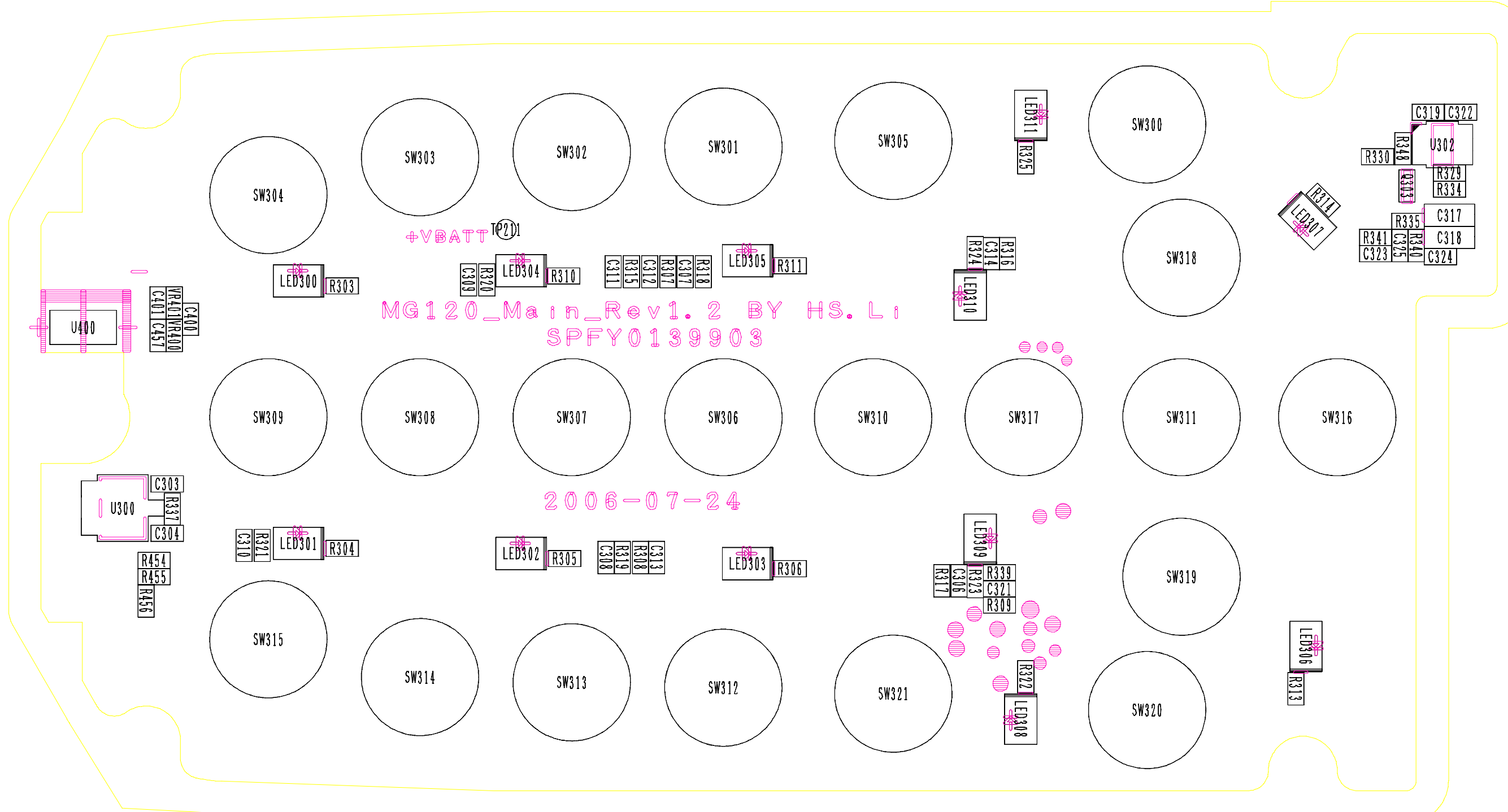
BOM CHANGE

(06.07.22)

R469 (100p->200p)

C442 (100p->100n)





+VBATT TP2D1

MG120_Main_Rev1.2 BY HS.L
SPFY0139903

2006-07-24

U400

R401 R400
C401 C457
C400

U300

R337 R303
C304
R454 R455
R456

U302

R330 R348
C319 C322
R329 R334
R335 C317
R341 C375 R340 C318
C323 C324

LED309

R339 R373 R339
C306 C321
R317 R309
R322 LED308

R314
LED307

LED306
R313