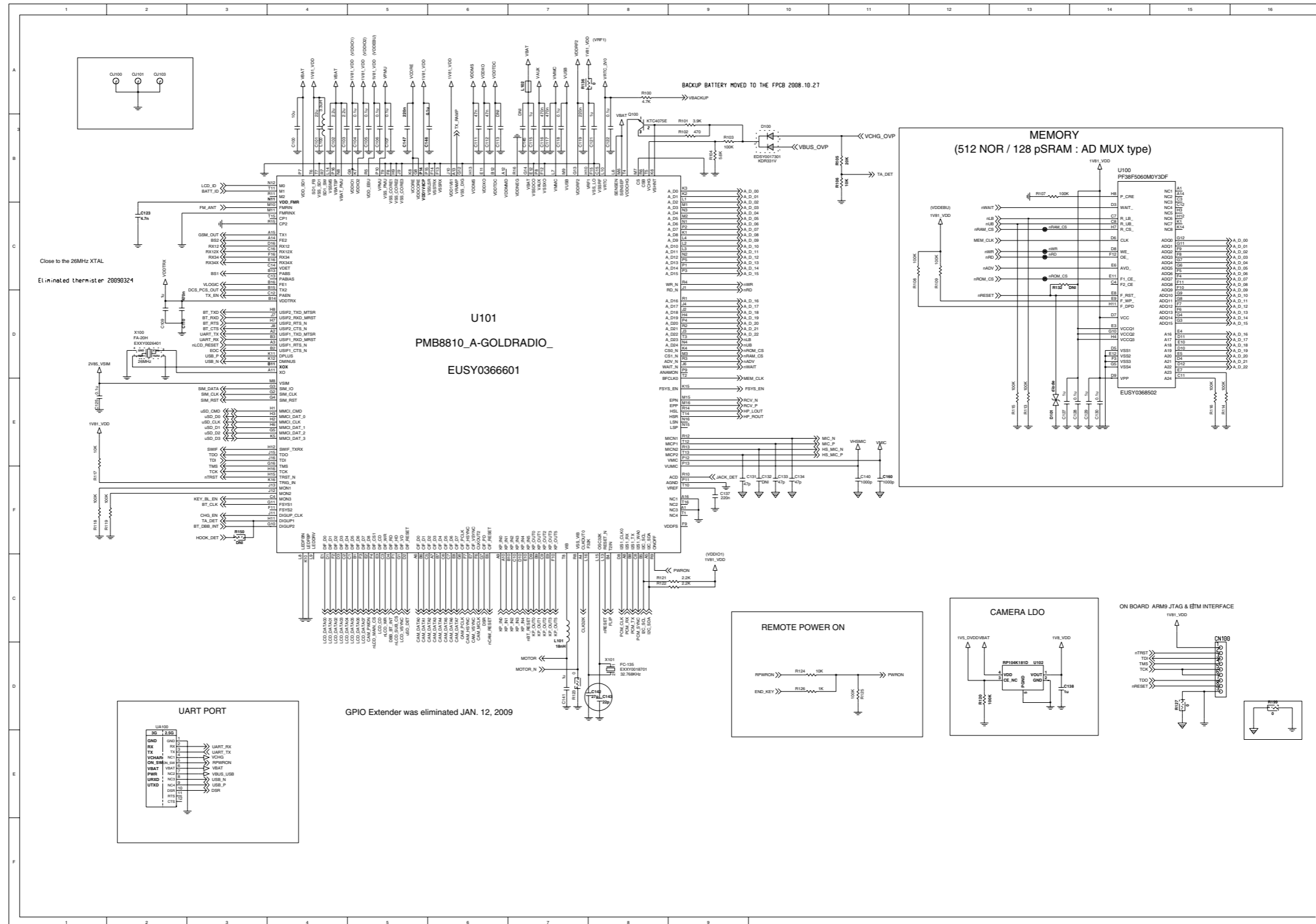
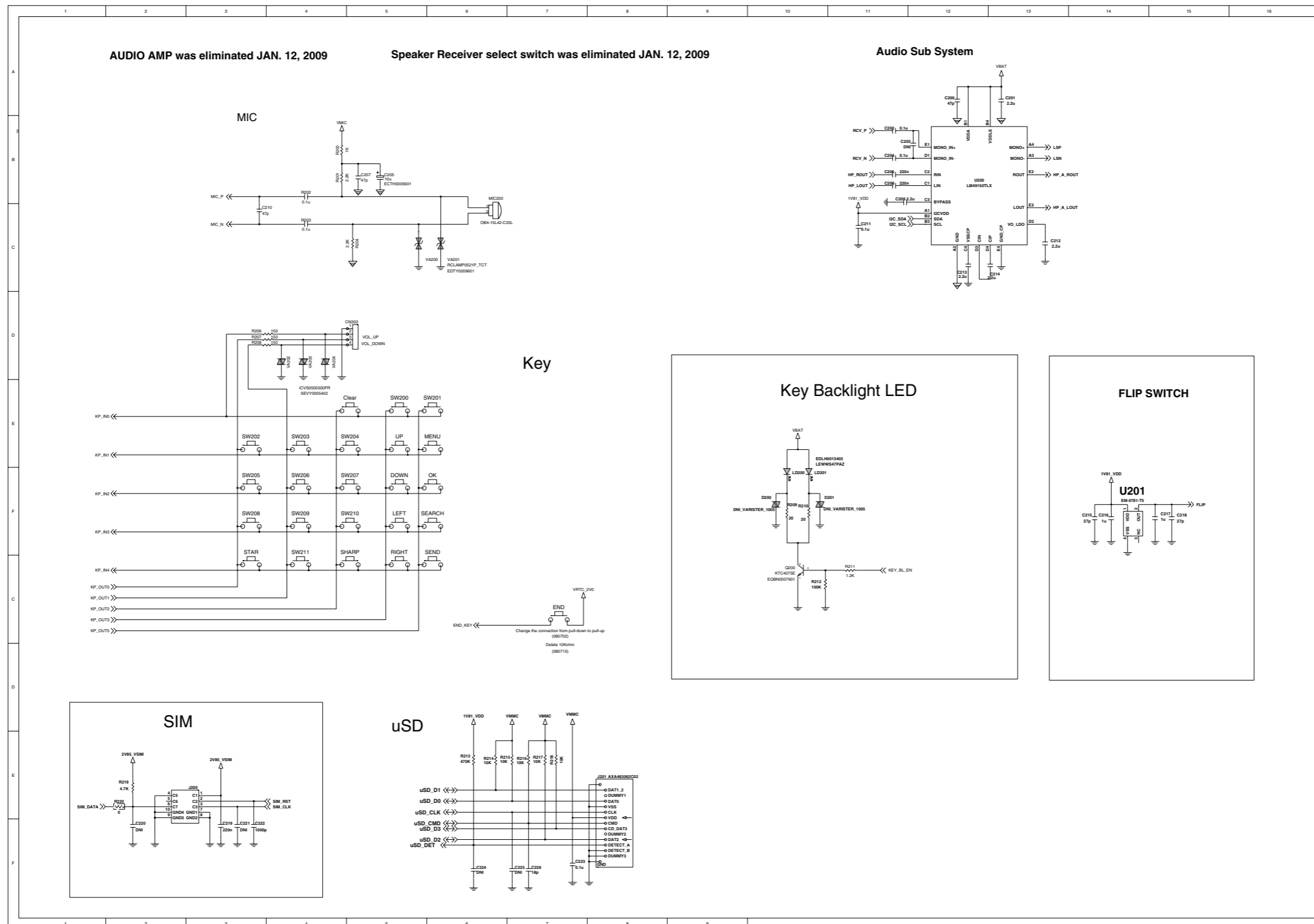


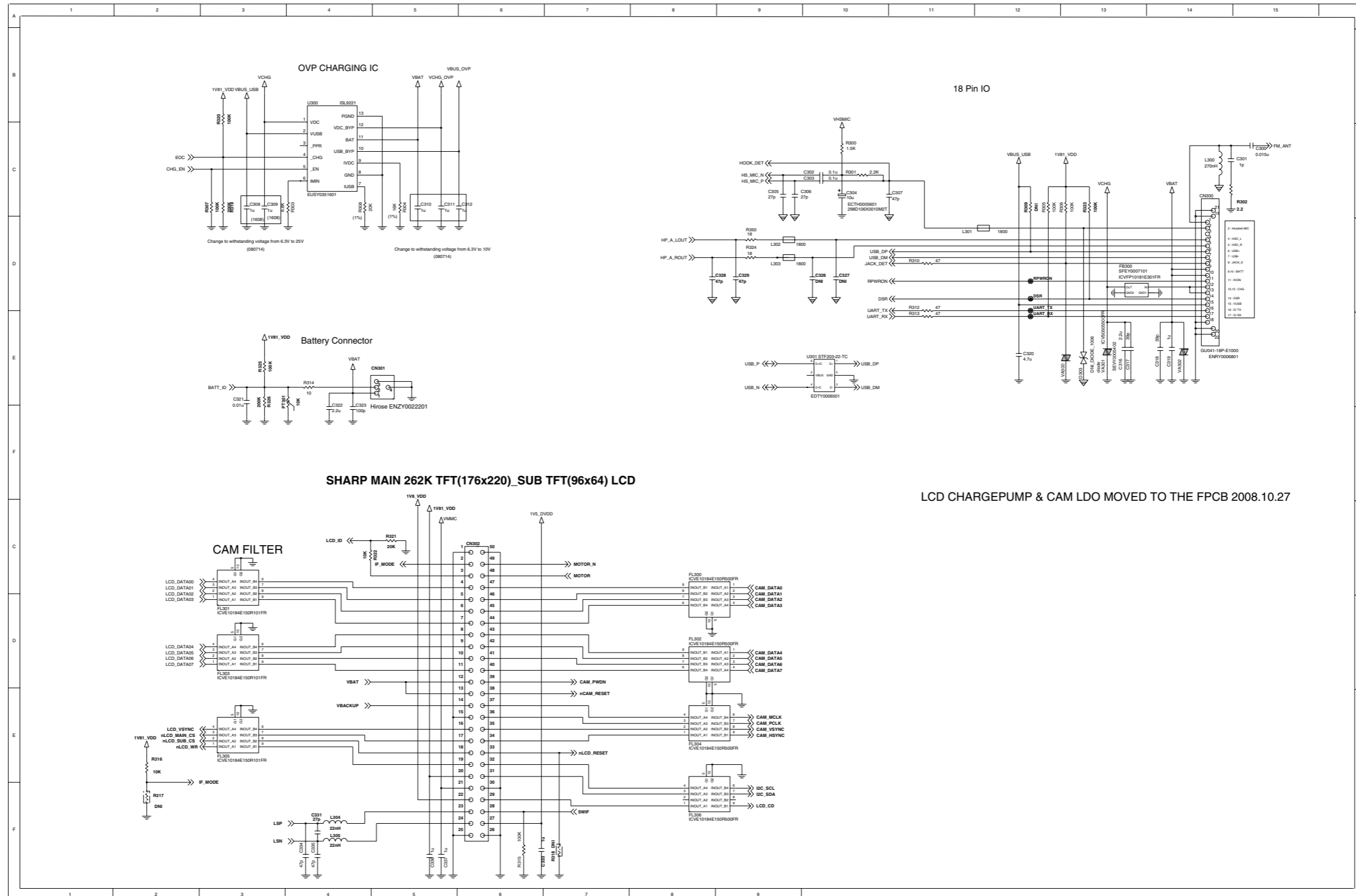
7. CIRCUIT DIAGRAM



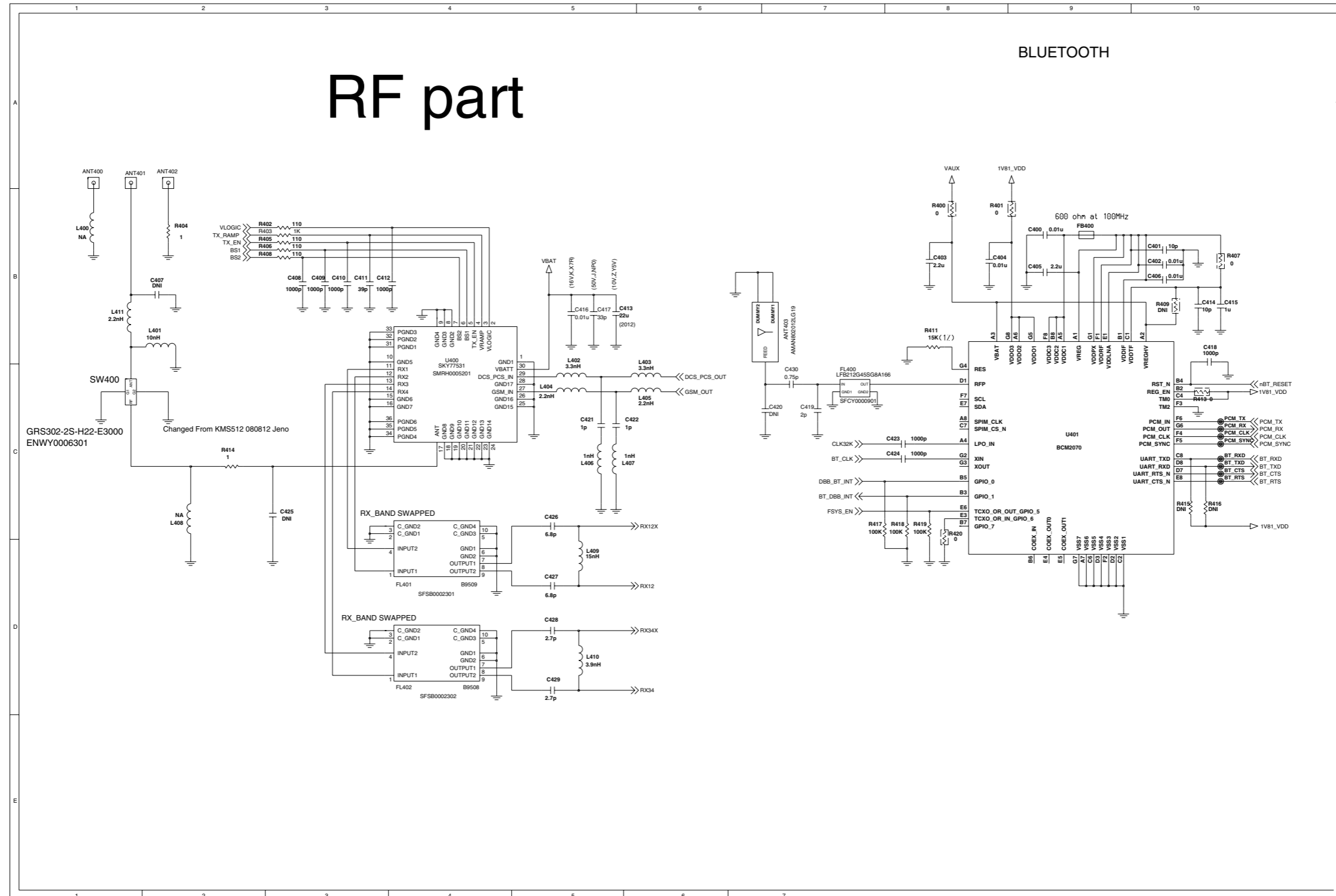
7. CIRCUIT DIAGRAM



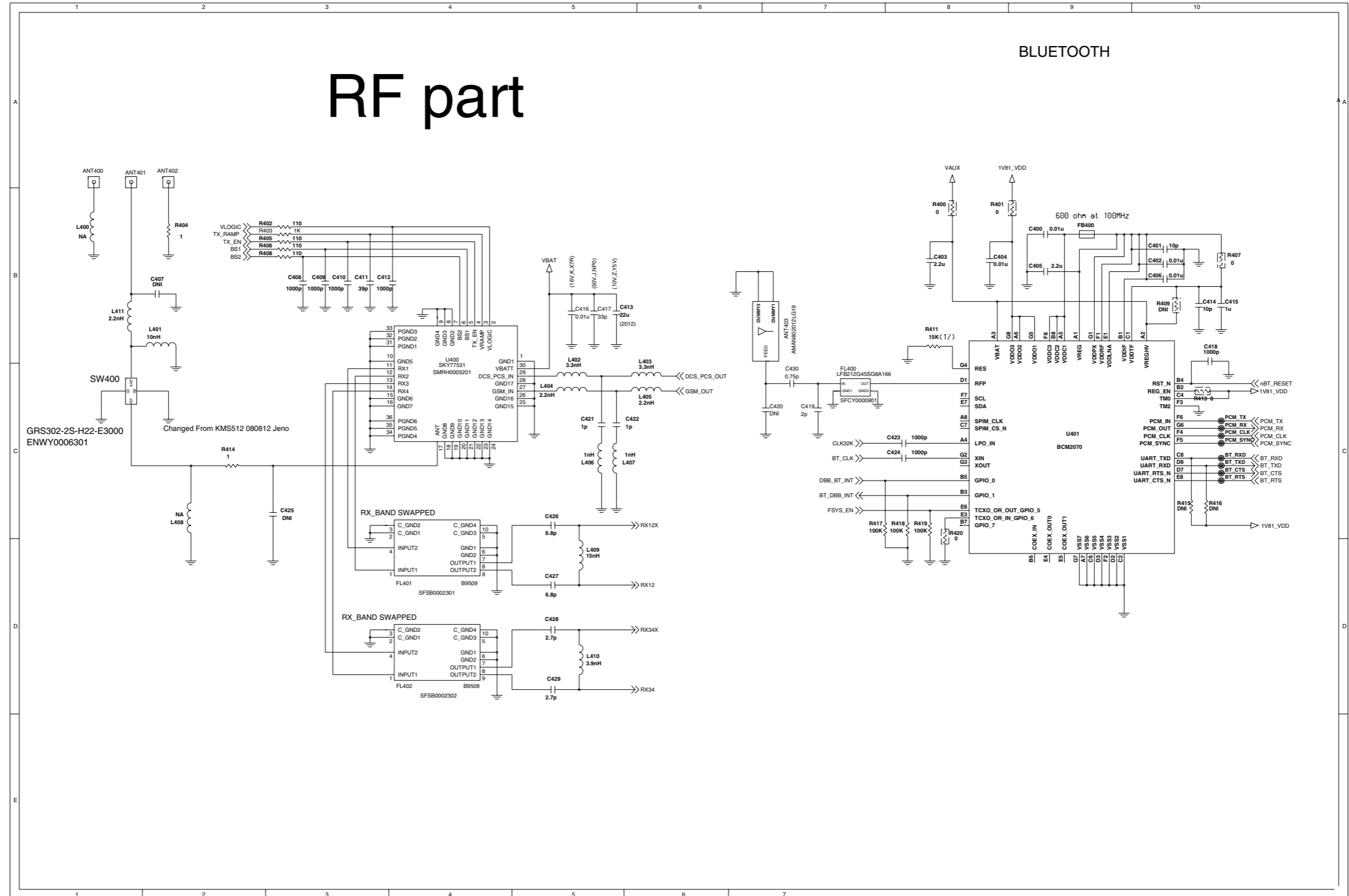
7. CIRCUIT DIAGRAM



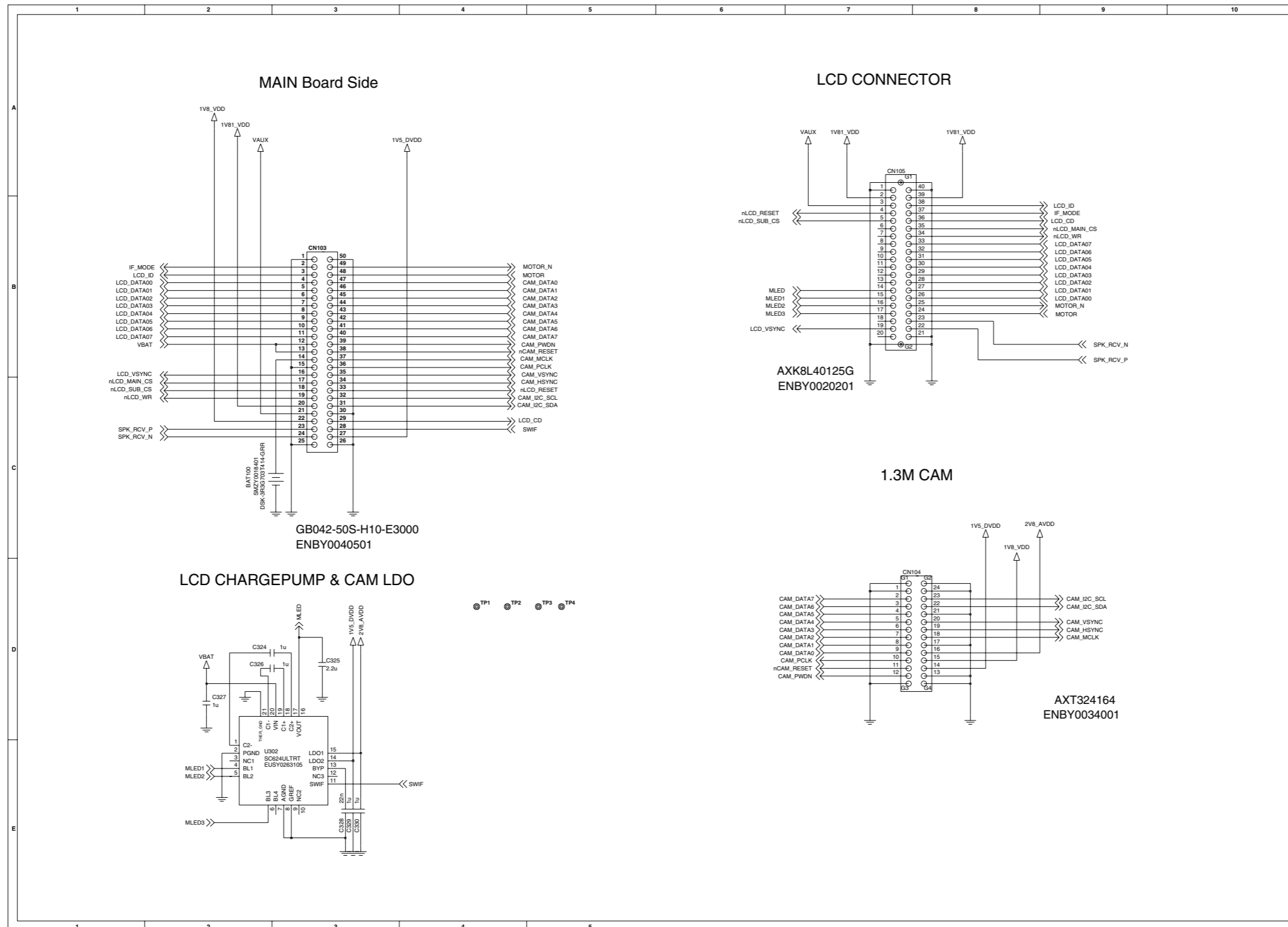
7. CIRCUIT DIAGRAM



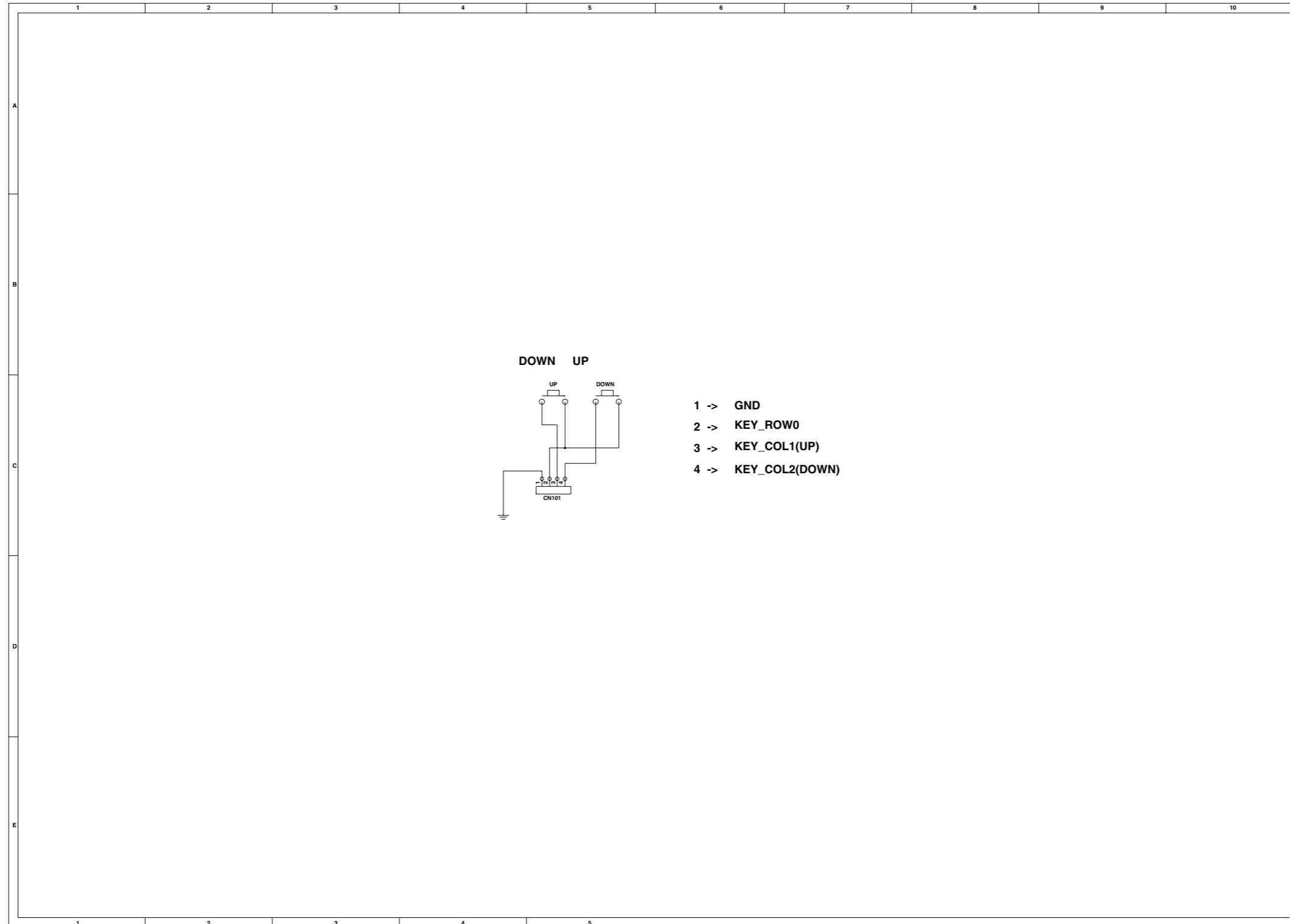
7. CIRCUIT DIAGRAM



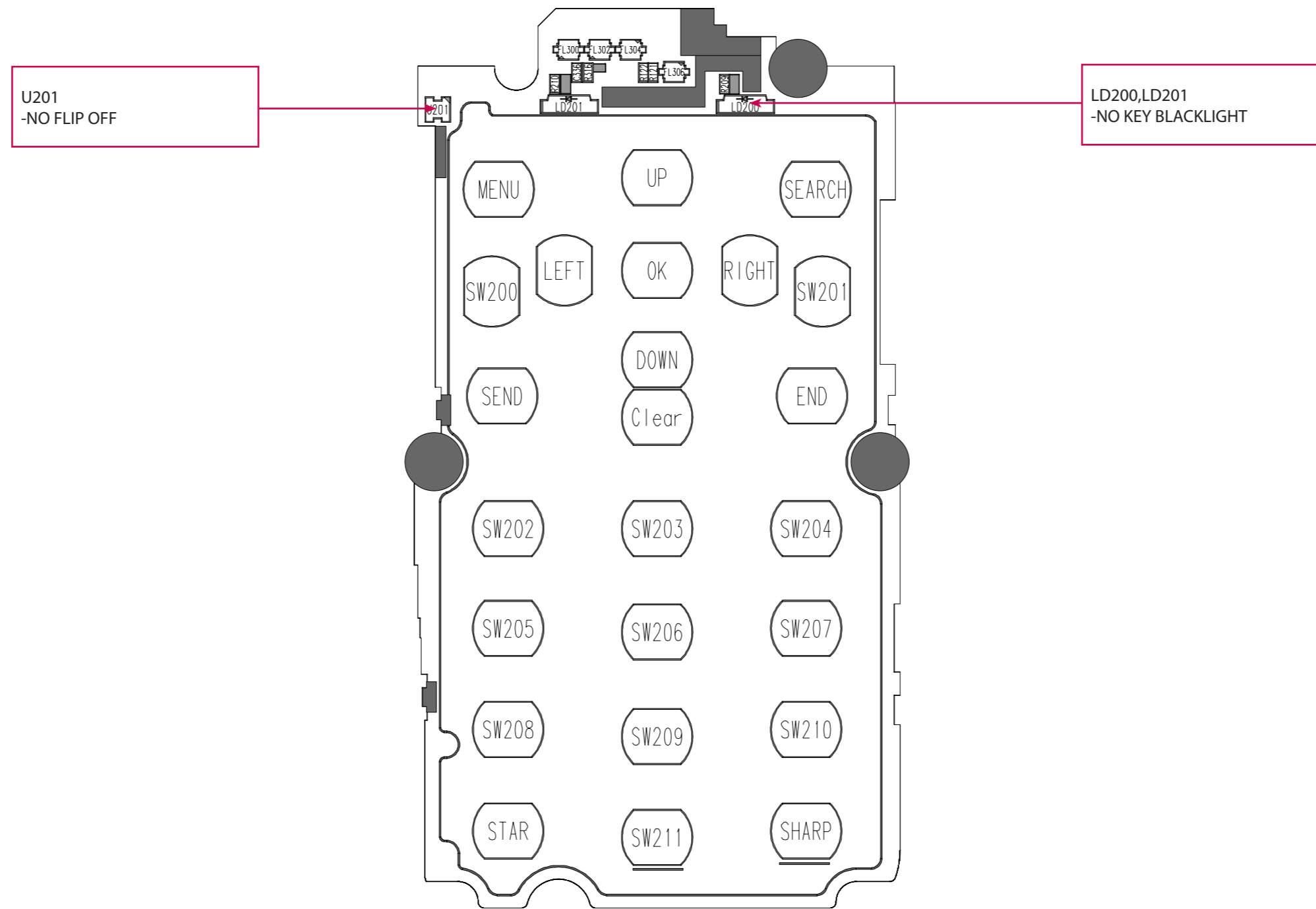
7. CIRCUIT DIAGRAM



7. CIRCUIT DIAGRAM

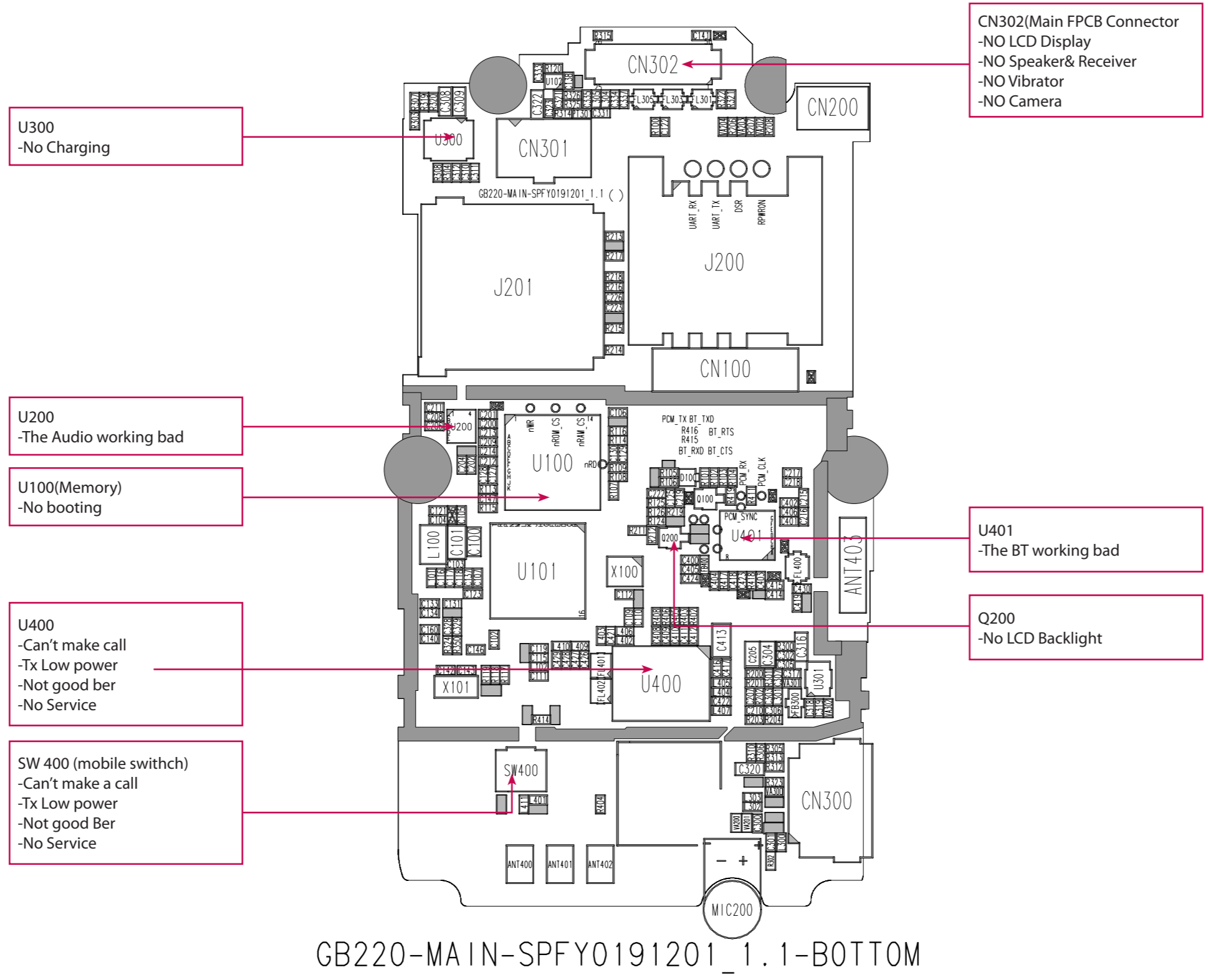


9. PCB LAYOUT

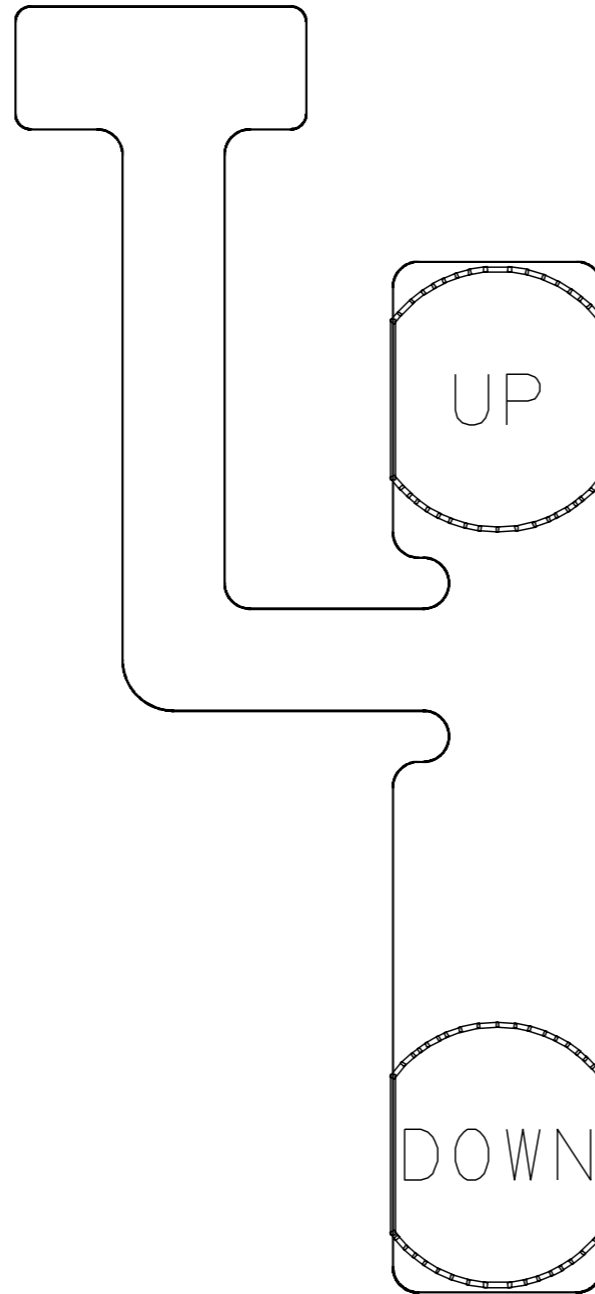


GB220-MAIN-SPFY0191201_1.1-TOP

9. PCB LAYOUT

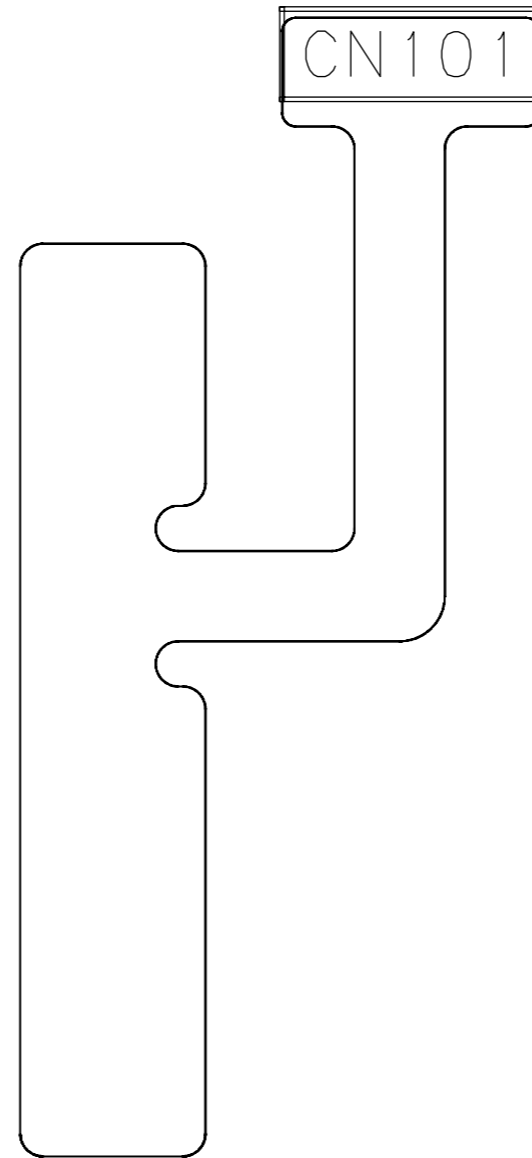


9. PCB LAYOUT



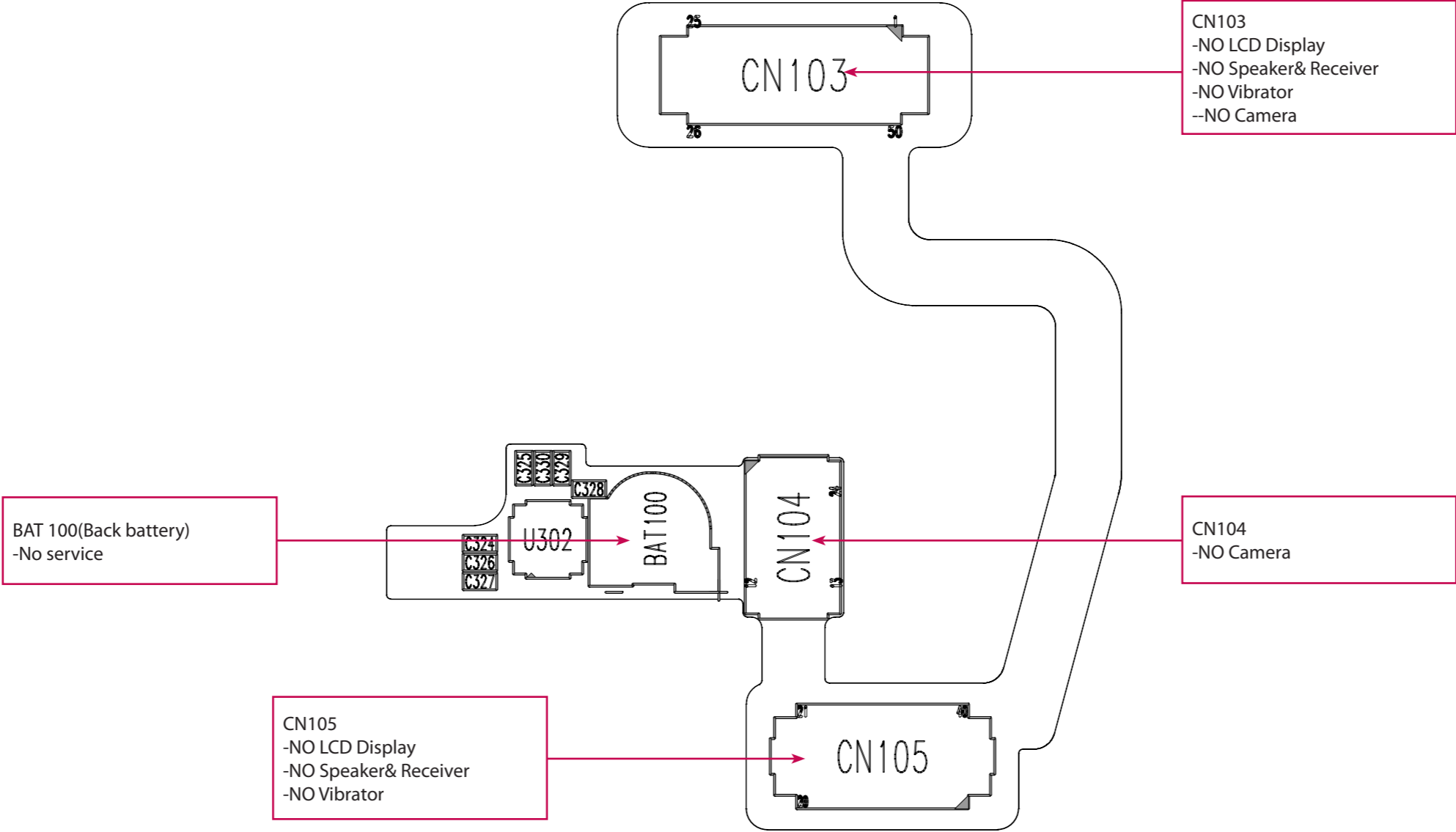
GB220_SIDEKEY_1.1-TOP

9. PCB LAYOUT



GB220_SIDEKEY_1.1-BTM

9. PCB LAYOUT



GB220-FPCB_1.1-TOP