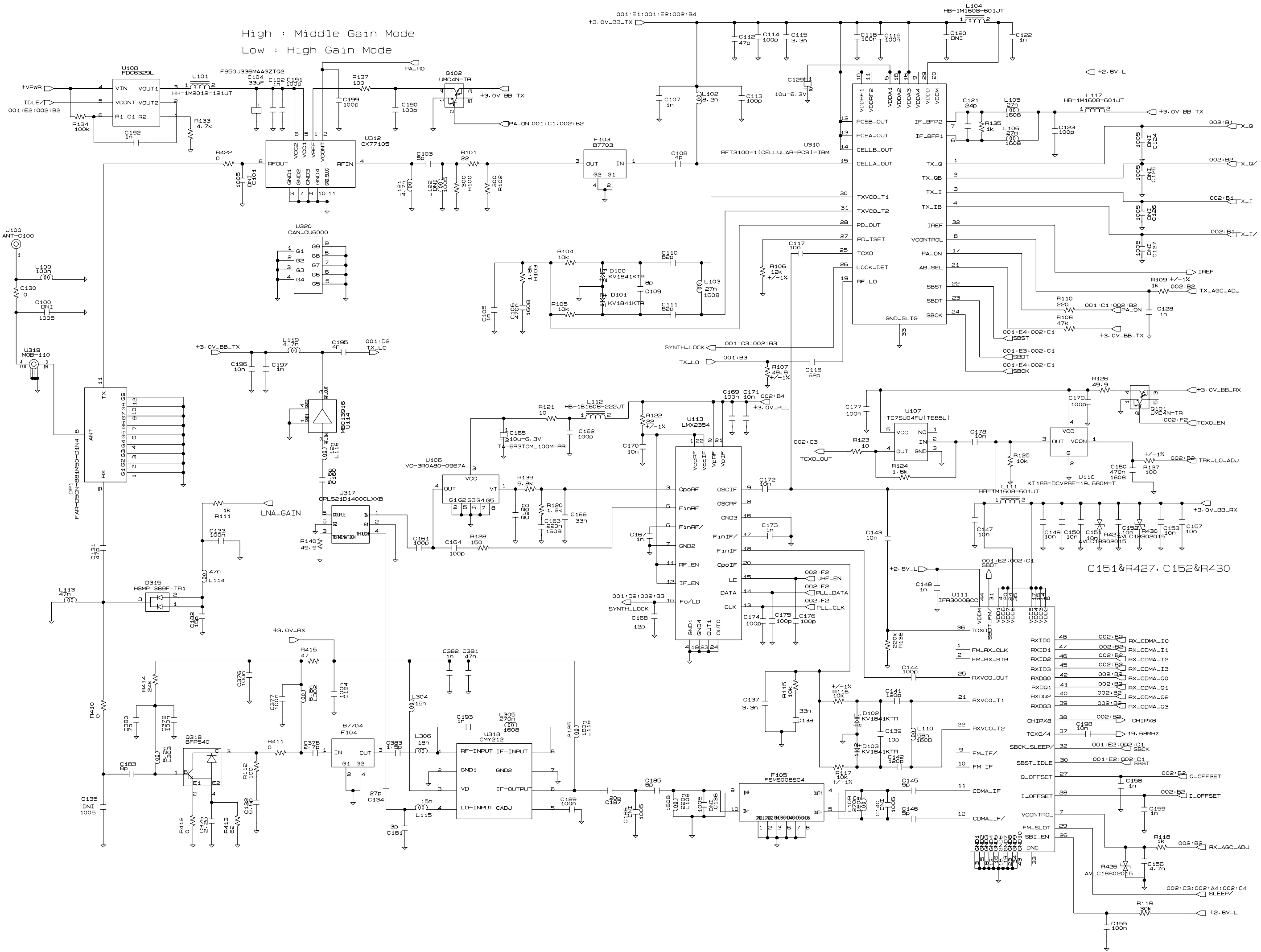


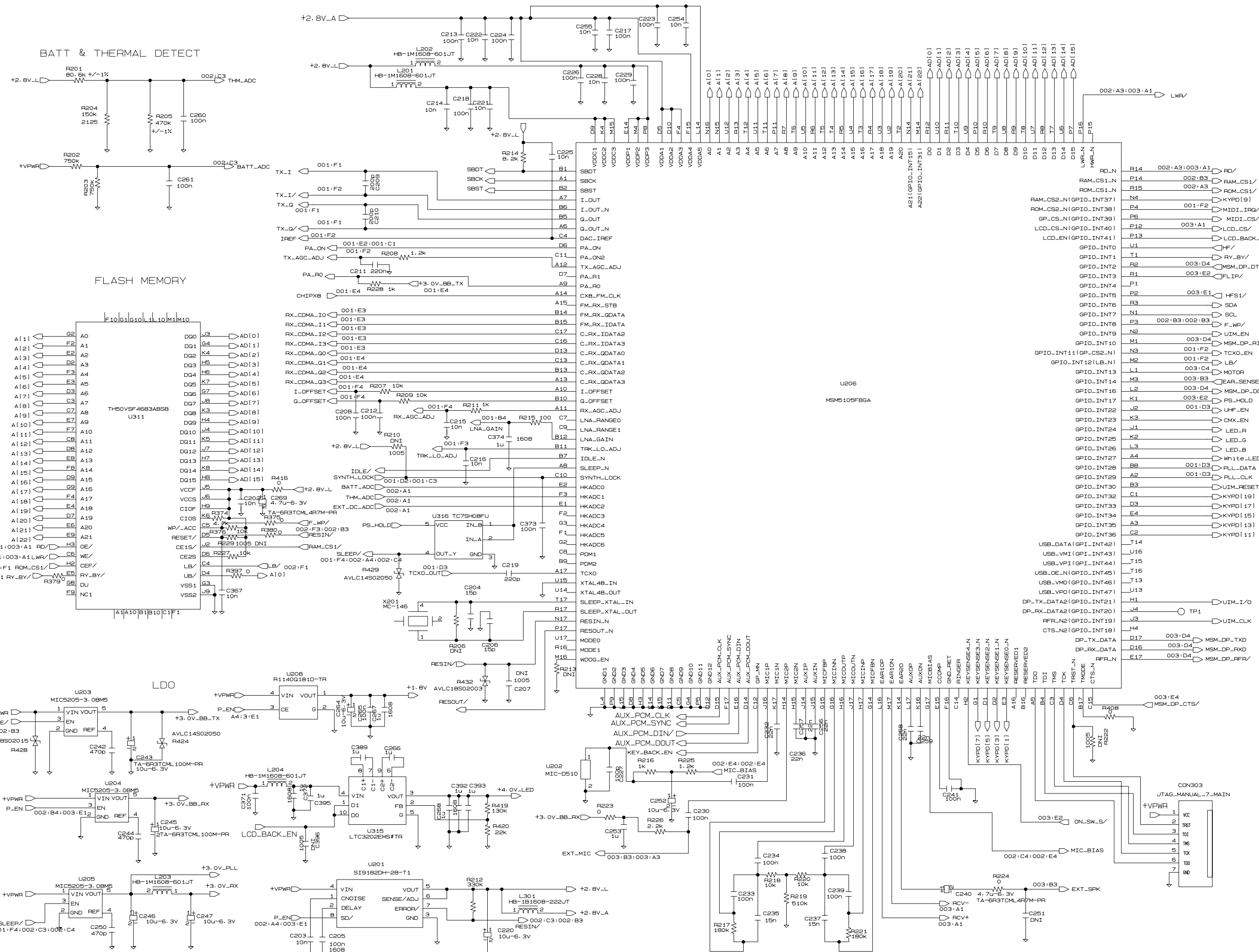
High : Middle Gain Mode
Low : High Gain Mode



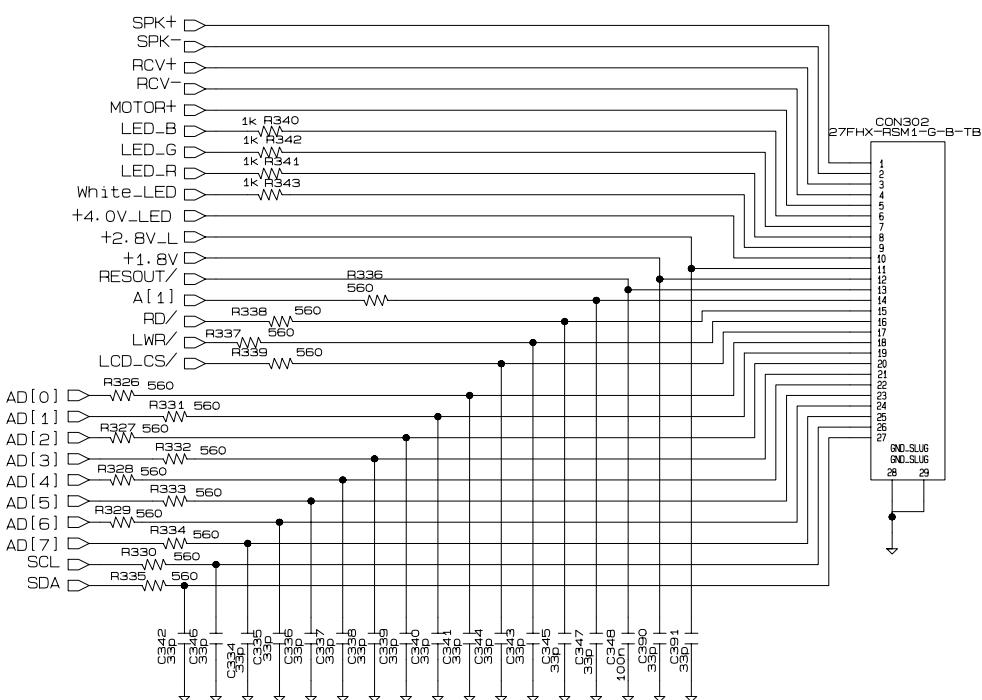
C 151 & R427, C 152 & R430



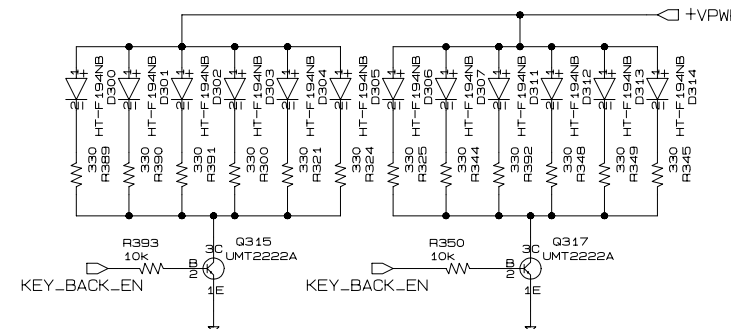
Change
C205 : 470n => 100n



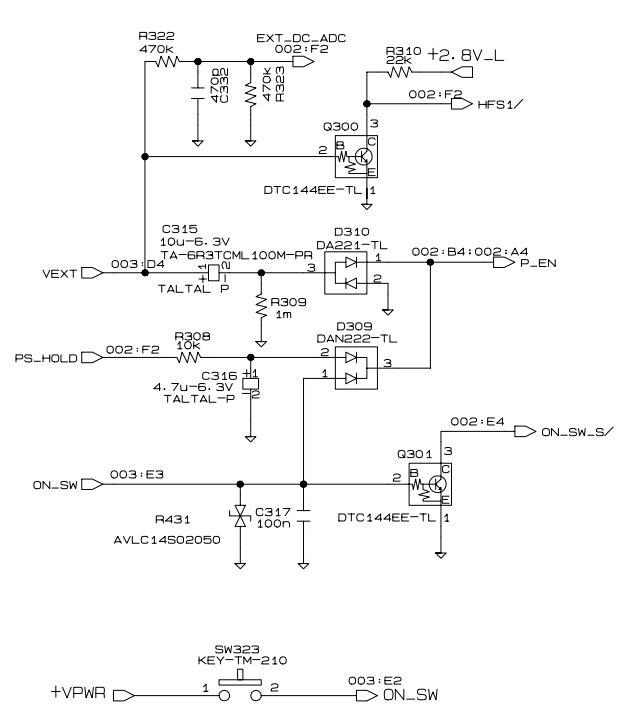
FPCB CONNECTOR



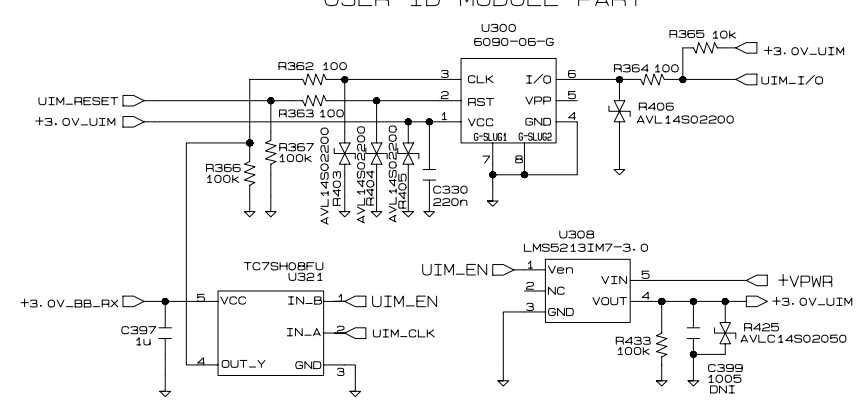
KEY PAD BACKLIGHT



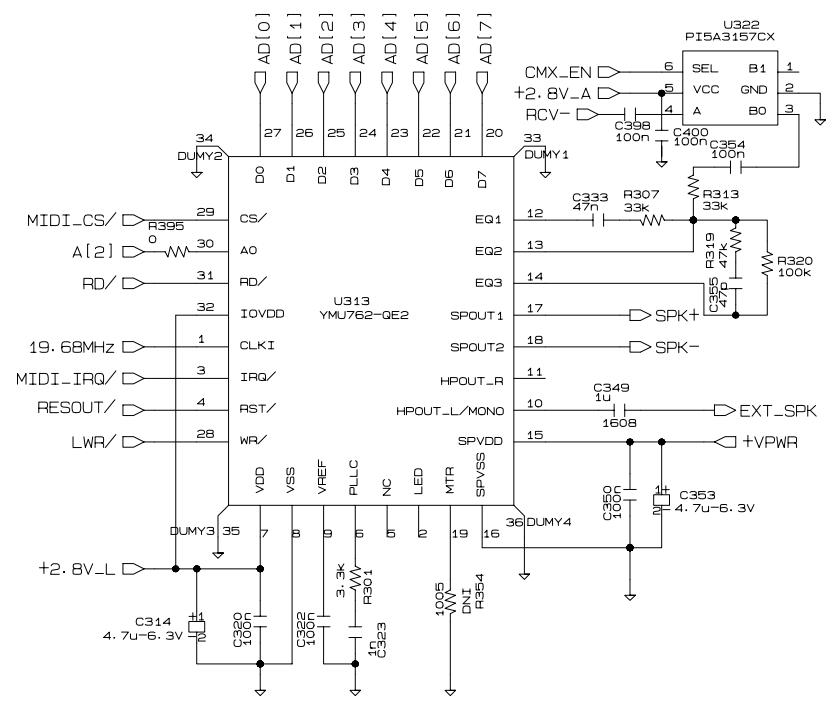
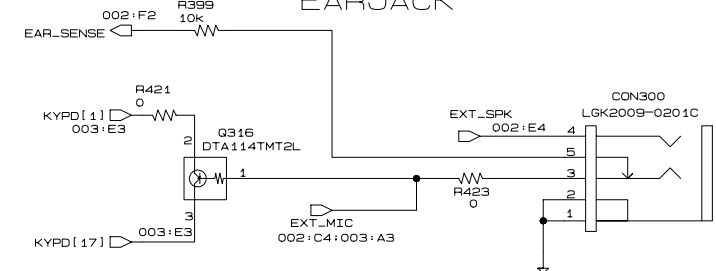
POWER SWITCH



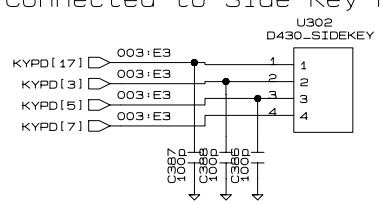
USER ID MODULE PART



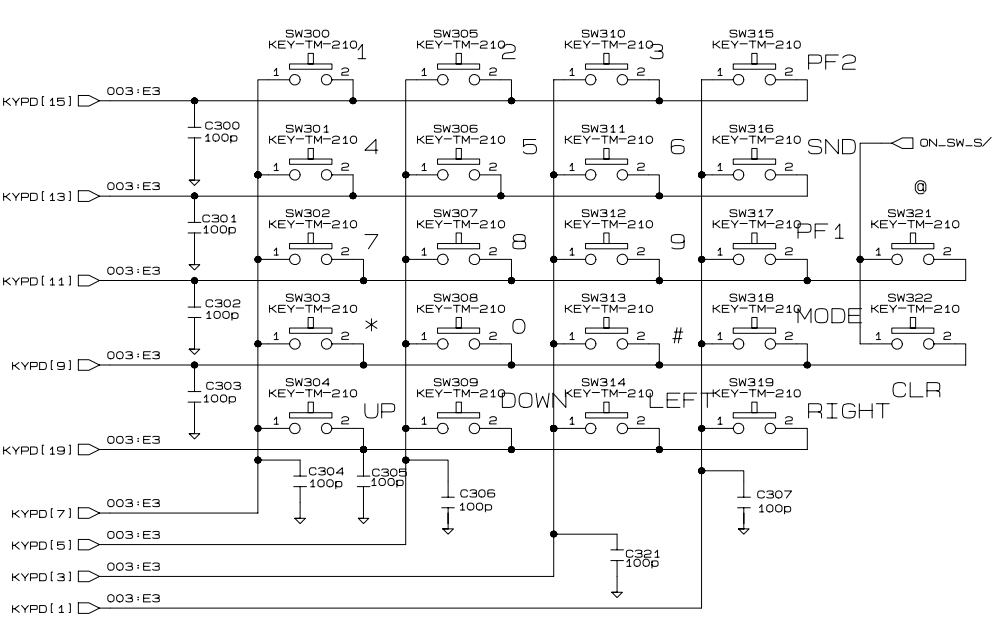
EARJACK



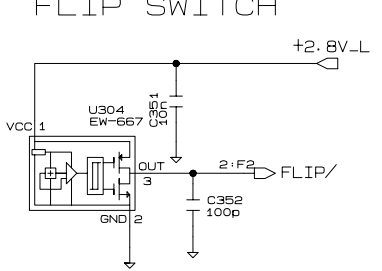
Connected to Side Key FPCB



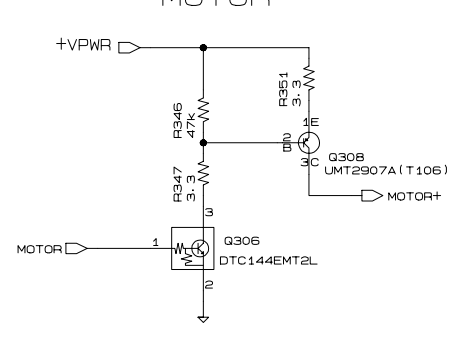
KEY PAD



FLIP SWITCH



MOTOR



CAR KIT CONNECTOR

