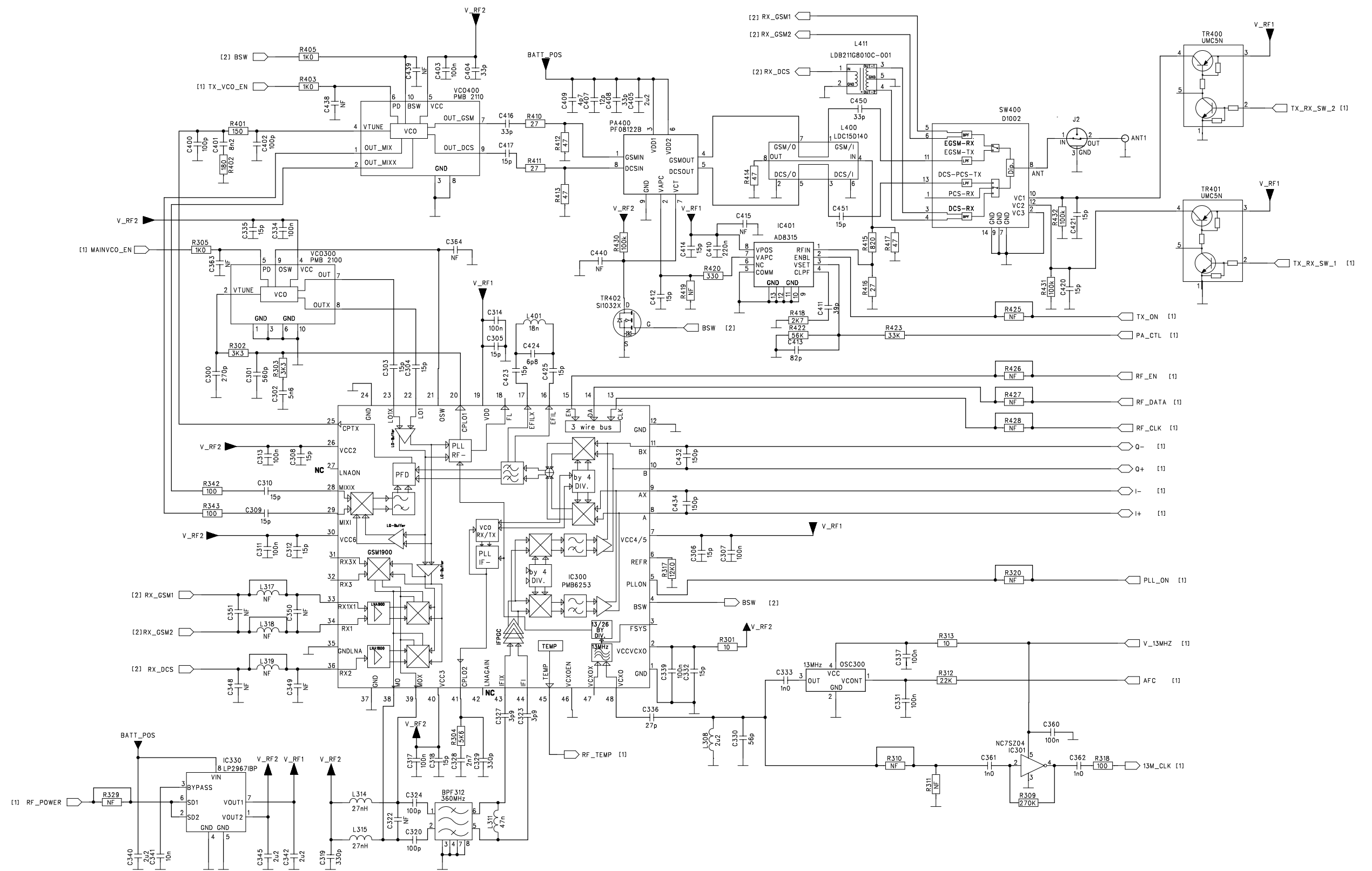


ECR No.	Rev.	Date/Name	Scale:	Description:
MDK/PRD/074	1	020723/JVS		Colour phone MX-7830 Baseband section
MDK/P04/001	2	020819/JVS		Format: A3 Sheet: 1 of 2 Dwg: 07160204
MDK/P04/002	3	020827/TTH		Name: JVS Date: 020307 Item: 08160004
MDK/P04/003	3A	020912/TTH		
MDK/P04/005	4	030113/JVS		

Niels Jernes Vej 8
 DK-9220 Aalborg Øst
 Tlf. +45 96355500
 Material:



ECR No.	Rev.	Date/Name	Scale:	Description:
MDK/PRD/074	1	020723/JVS		Colour phone Mx-7830 RF section
MDK/P04/001	2	020819/JVS		Format: A3 Sheet: 2 of 2 Dwg: 07160204
MDK/P04/002	3	020827/TTH		Name: EP Date: 020307 Item: 08160004
MDK/P04/003	3A	020912/TTH		
MDK/P04/005	4	030113/JVS		