

D

D

C

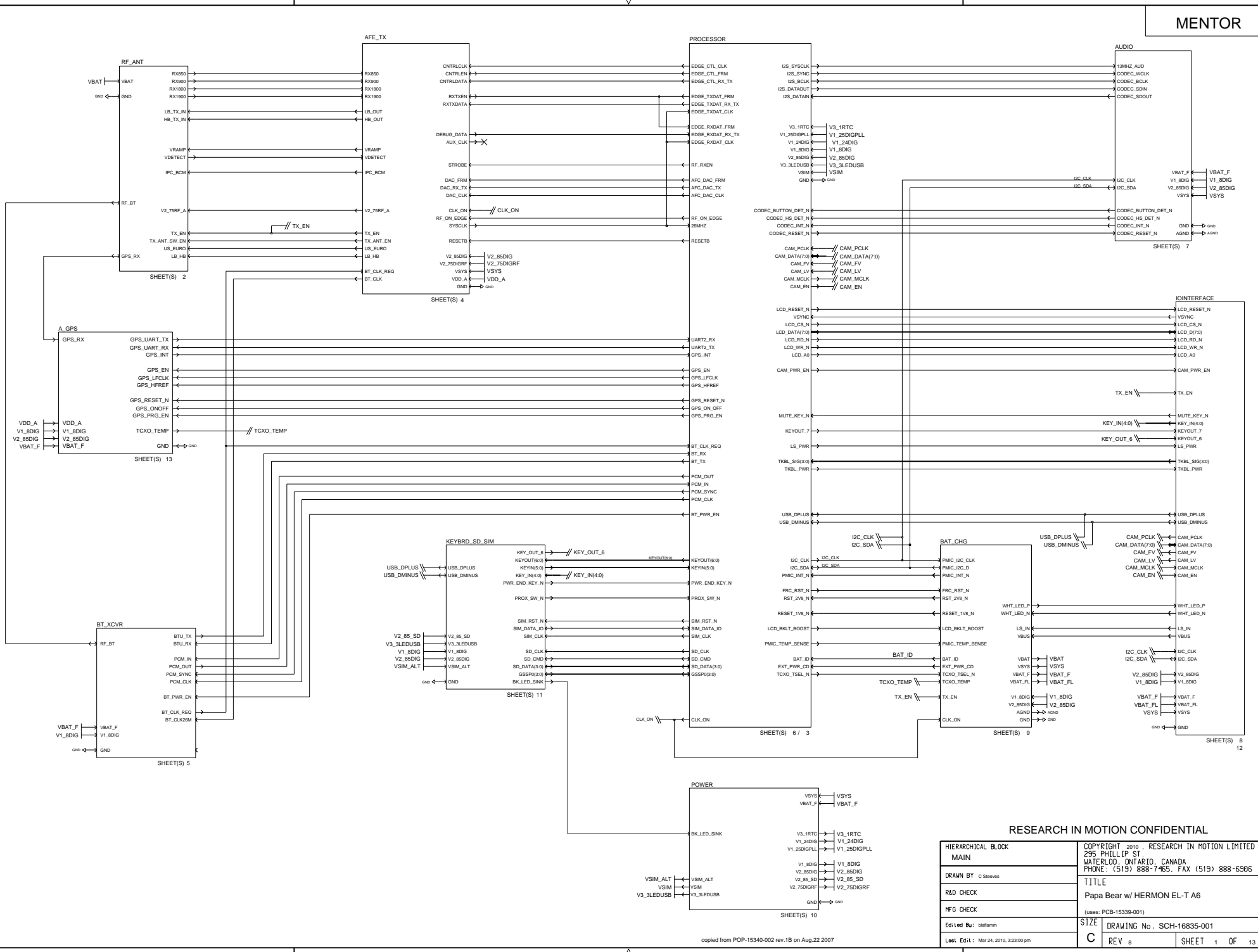
C

B

B

A

A

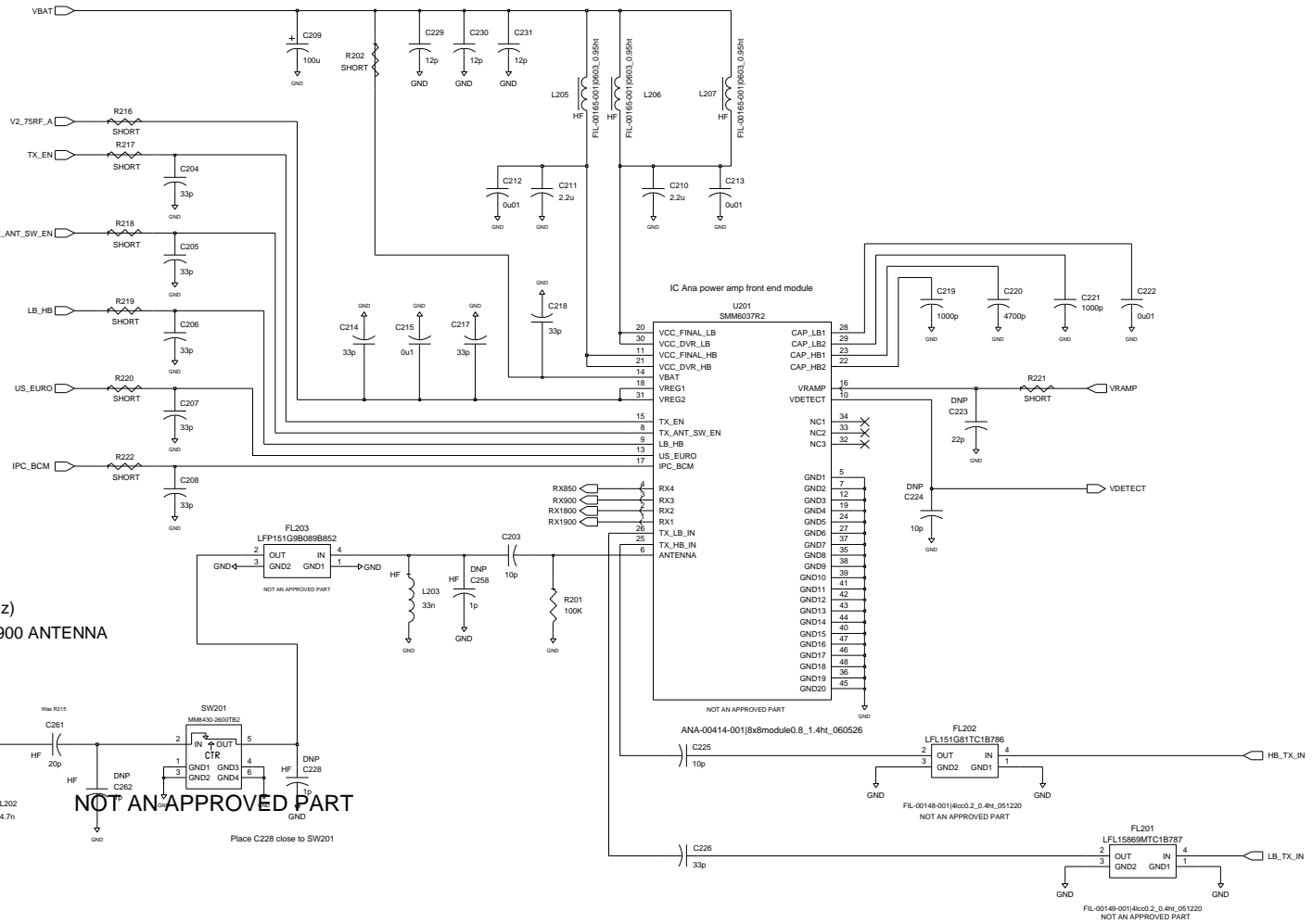


RESEARCH IN MOTION CONFIDENTIAL

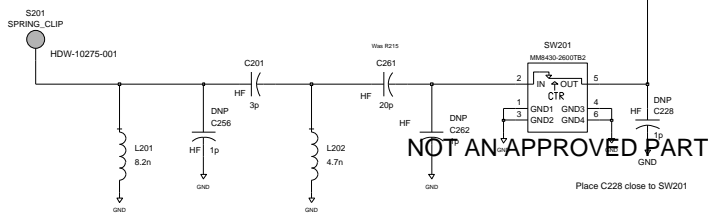
HIERARCHICAL BLOCK MAIN		COPYRIGHT 2010, RESEARCH IN MOTION LIMITED 295 PHILLIP ST. WATERLOO, ONTARIO, CANADA PHONE: (519) 888-7465, FAX (519) 888-6306
DRAWN BY C Steeves		
R&D CHECK		TITLE Papa Bear w/ HERMON EL-T A6
HFG CHECK		(uses: PCB-15339-001)
Edi Led Bu: blaflamm		SIZE DRAWING No. SCH-16835-001
Last Ed:1: Mar 24, 2010, 3:23:00 pm		C REV 8 SHEET 1 OF 13

U401 MMM600R2			
A3	GND1	GND37	F8
A7	GND2	GND38	F7
A8	GND3	GND39	F6
A10	GND4	GND40	F5
A11	GND5	GND41	F4
B11	GND6	GND42	G4
B10	GND7	GND43	G5
B8	GND8	GND44	G6
B7	GND9	GND45	G7
C4	GND10	GND46	G8
C6	GND11	GND47	G9
C7	GND12	GND48	H11
C8	GND13	GND49	H11
C11	GND14	GND50	H8
C12	GND15	GND51	H7
D16	GND16	GND52	H6
D17	GND17	GND53	H5
D10	GND18	GND54	H4
D9	GND19	GND55	J6
D8	GND20	GND56	J10
D7	GND21	GND57	J11
D6	GND22	GND58	J12
D4	GND23	GND59	K11
D24	GND24	GND60	K10
E4	GND25	GND61	K9
E5	GND26	GND62	K8
E6	GND27	GND63	K7
E8	GND28	GND64	K6
E9	GND29	GND65	K2
E10	GND30	GND66	L4
E11	GND31	GND67	L5
F12	GND32	GND68	L6
F11	GND33	GND69	L7
F10	GND34	GND70	L8
F9	GND35	GND71	L9
F8	GND36	GND72	L11

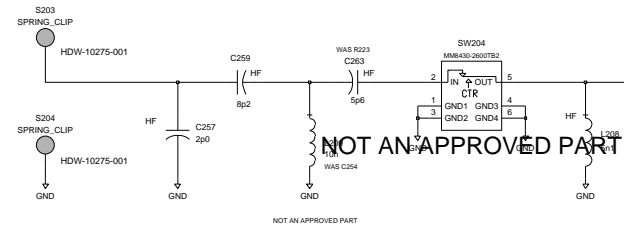
ANA-0027-105103290.M03L_1_4ht_051026_01



(850/900/1800/1900 MHz)
GSM850/GSM900/DCS1800/PCS1900 ANTENNA



GPS ANTENNA



BLUETOOTH ANTENNA



RESEARCH IN MOTION CONFIDENTIAL

HIERARCHICAL BLOCK RF_ANT	COPYRIGHT 2008, RESEARCH IN MOTION LIMITED 295 PHILLIP ST. WATERLOO, ONTARIO, CANADA PHONE: (519) 888-7465, FAX (519) 888-6306
DRAWN BY C Steeves	TITLE Papa Bear w/ HERMON EL-T A6
R&D CHECK	(uses: PCB-15339-001)
HFG CHECK	SIZE DRAWING No. SCH-15339-001
Edi Led By: blattamm	C REV 8 SHEET 2 OF 13
Level Ed1: Apr 3, 2008, 2:19:09 pm	

4

3

2

1

D

D

C

C

B

B

A

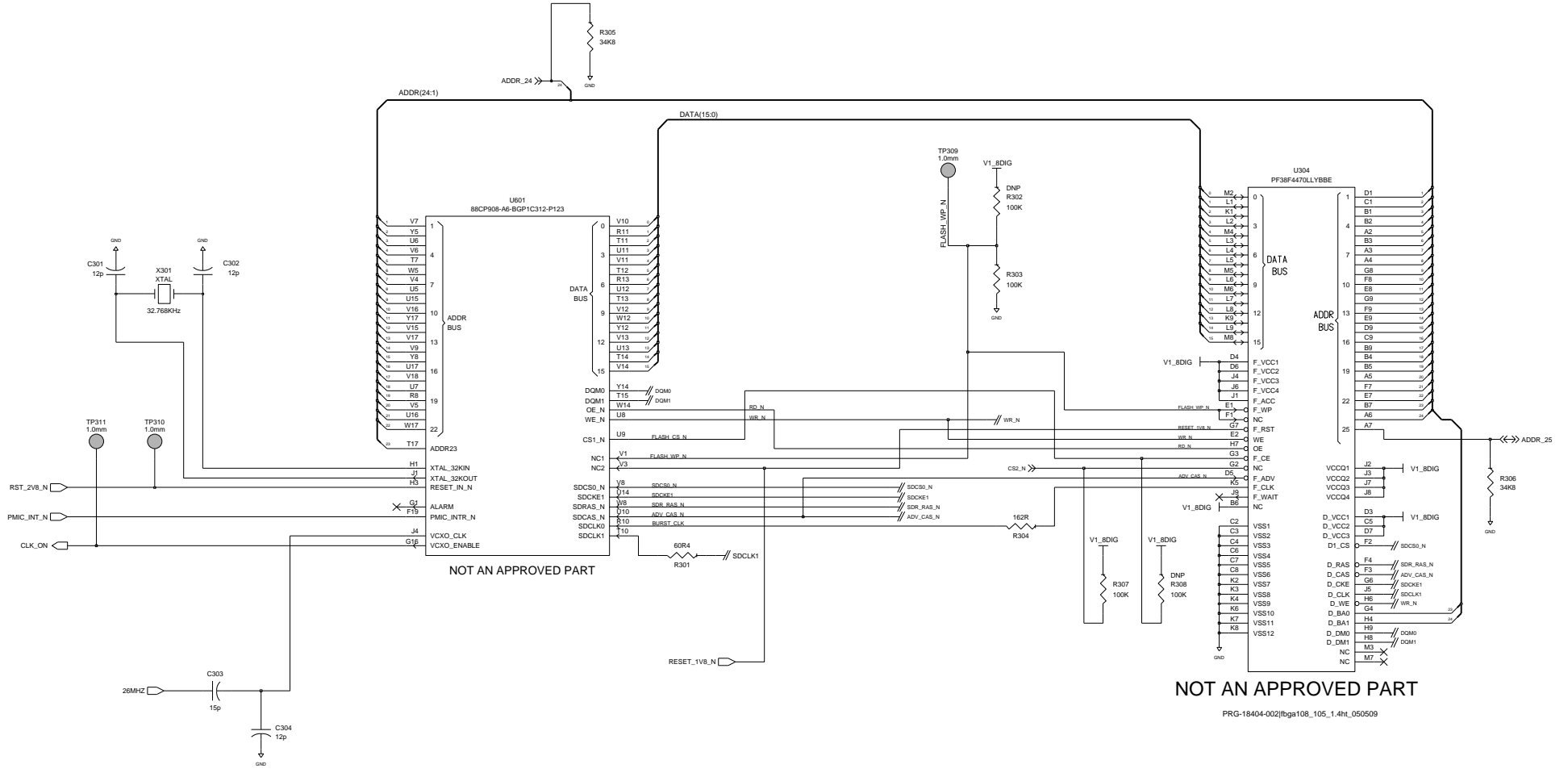
A

4

3

2

1



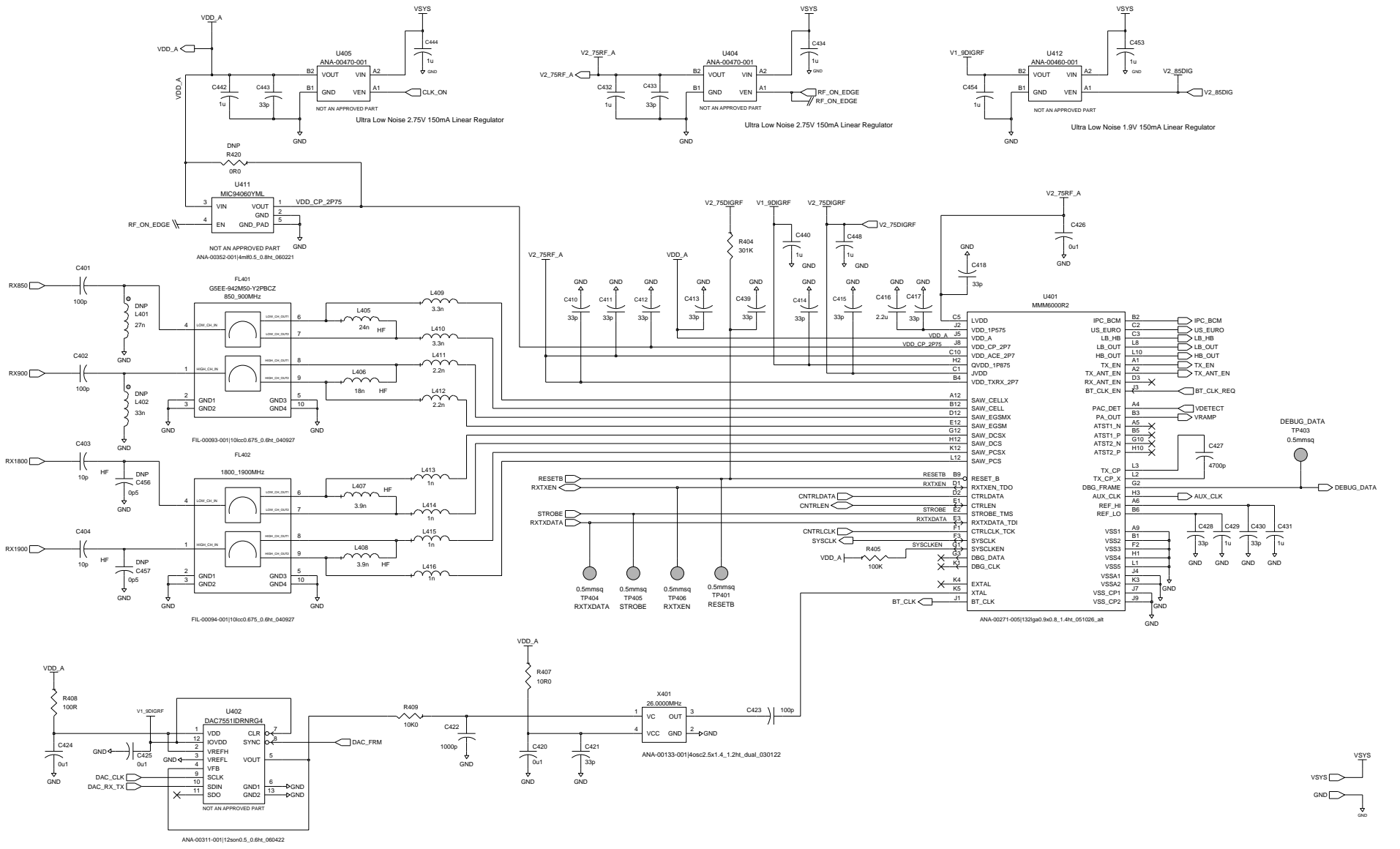
NOT AN APPROVED PART

NOT AN APPROVED PART

PRG-18404-002|bga108_105_1.4ht_050509

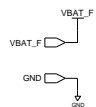
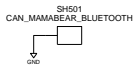
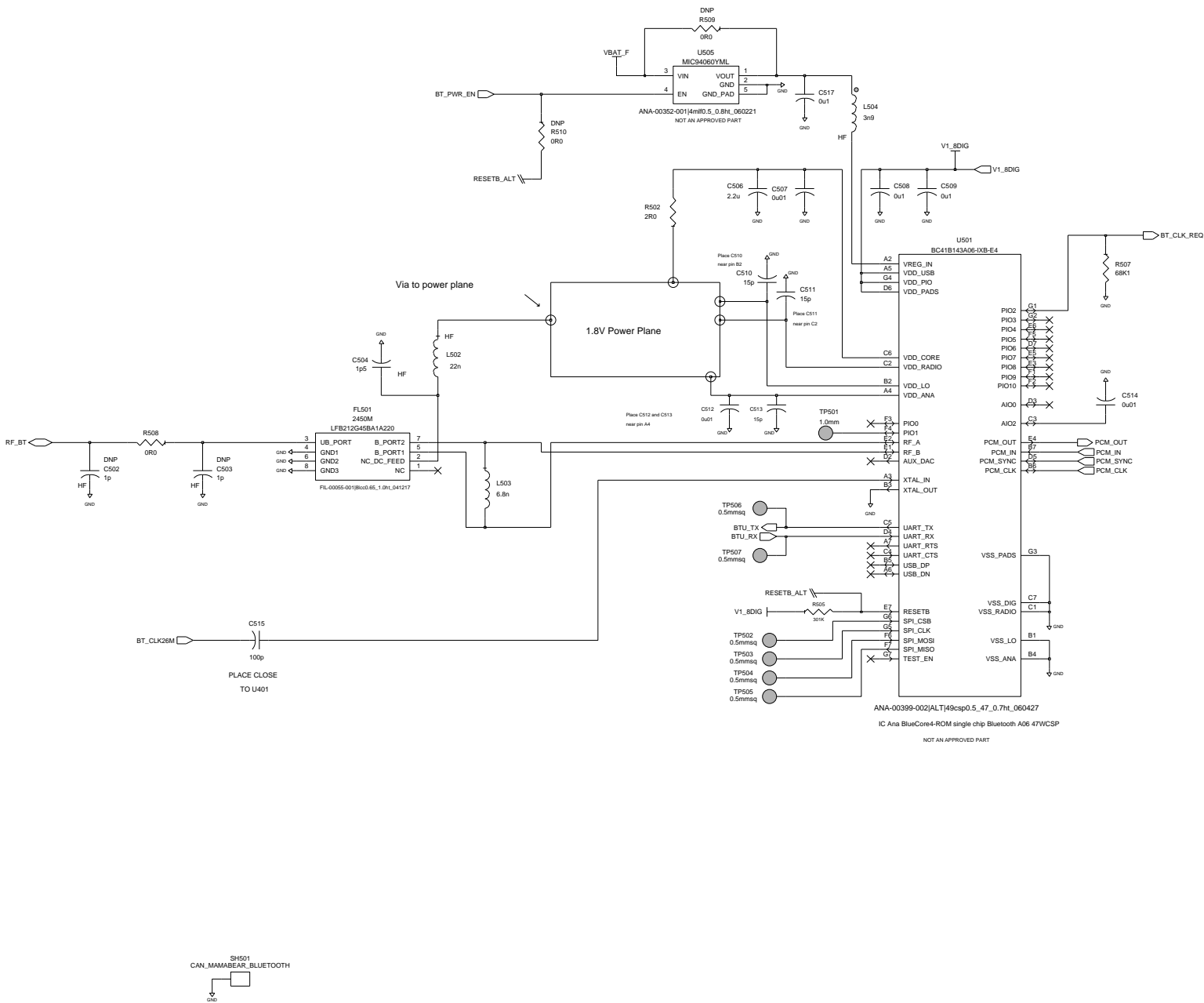
RESEARCH IN MOTION CONFIDENTIAL

HIERARCHICAL BLOCK PROCESSOR2		COPYRIGHT 2009, RESEARCH IN MOTION LIMITED 295 PHILLIP ST. WATERLOO, ONTARIO, CANADA PHONE: (519) 888-7465, FAX (519) 888-6306	
DRAWN BY: C Steeves		TITLE Papa Bear w/ HERMON EL-T A6 (uses: PCB-15339-001)	
R&D CHECK		SIZE C	
MFG CHECK		DRAWING No. SCH-16835-001	
Edi Led By: blattamm		REV 8	
Level: Ed14: Jan 15, 2009, 9:28:53 am		SHEET 3 OF 13	



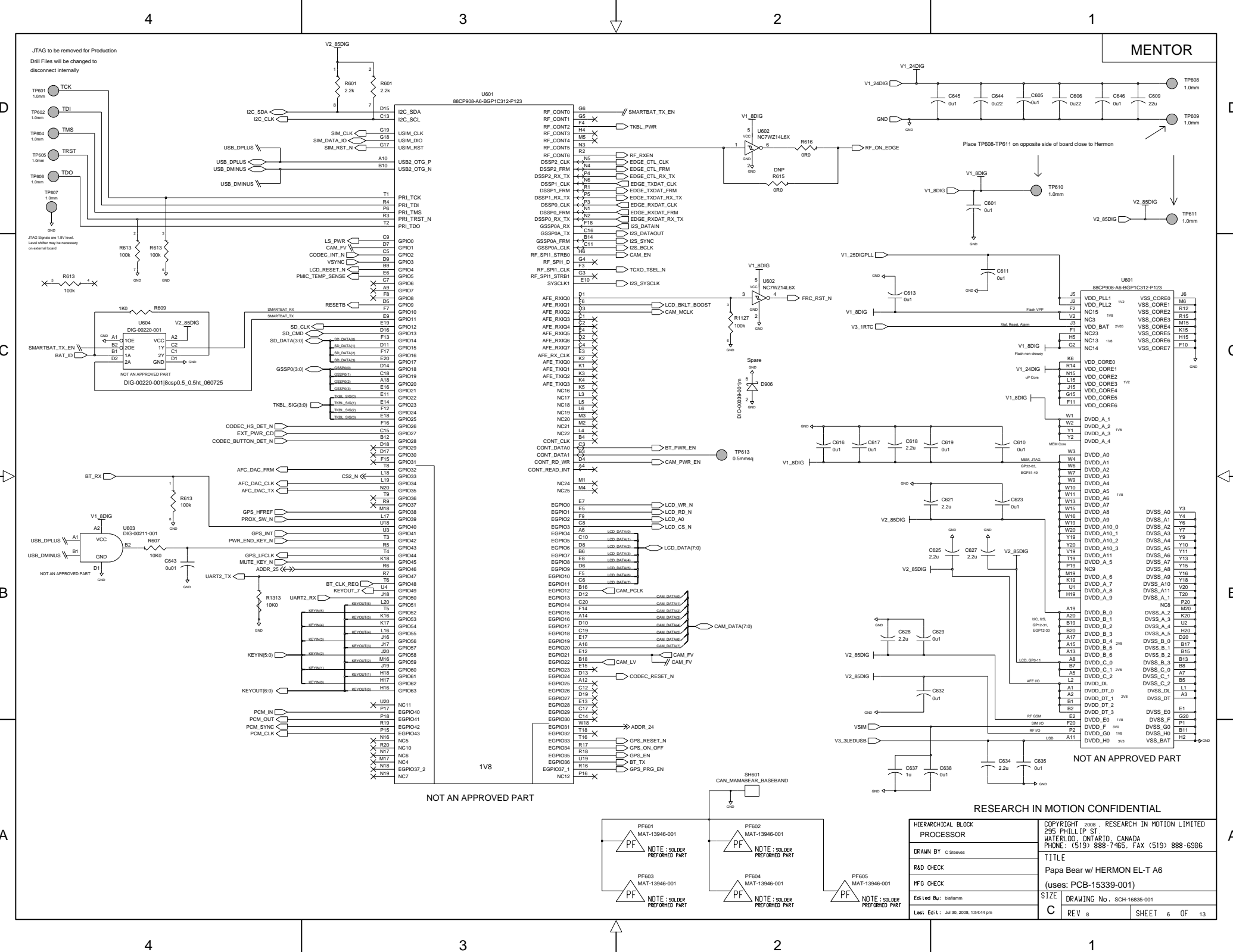
RESEARCH IN MOTION CONFIDENTIAL

HIERARCHICAL BLOCK AFE_TX		COPYRIGHT 2008, RESEARCH IN MOTION LIMITED 295 PHILLIP ST. WATERLOO, ONTARIO, CANADA PHONE: (519) 888-7465, FAX (519) 888-6306	
DRAWN BY: C Steeves		TITLE Papa Bear w/ HERMON EL-T A6	
R&D CHECK		(uses: PCB-15339-001)	
MFG CHECK		SIZE DRAWING No. SCH-16835-001	
Edi Led Bu: blattamm		C REV 8 SHEET 4 OF 13	
Last Ed14: Apr 3, 2008, 2:19:39 pm			



RESEARCH IN MOTION CONFIDENTIAL

HIERARCHICAL BLOCK BT_XCVR		COPYRIGHT 2008, RESEARCH IN MOTION LIMITED 295 PHILLIP ST. WATERLOO, ONTARIO, CANADA PHONE: (519) 888-7465, FAX (519) 888-6306	
DRAWN BY: C Steeves		TITLE Papa Bear w/ HERMON EL-T A6 (uses: PCB-15339-001)	
R&D CHECK		SIZE DRAWING No. SCH-16835-001	
MFG CHECK		C REV 8 SHEET 5 OF 13	
Edi Led By: blattamm			
Last Ed14: Apr 3, 2008, 2:19:28 pm			



JTAG to be removed for Production
Drill Files will be changed to disconnect internally

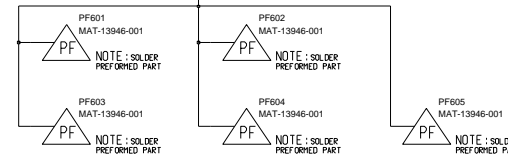
JTAG Signal is 1.8V level
Level shifter may be necessary on external board

Place TP608-TP611 on opposite side of board close to Hermon

NOT AN APPROVED PART

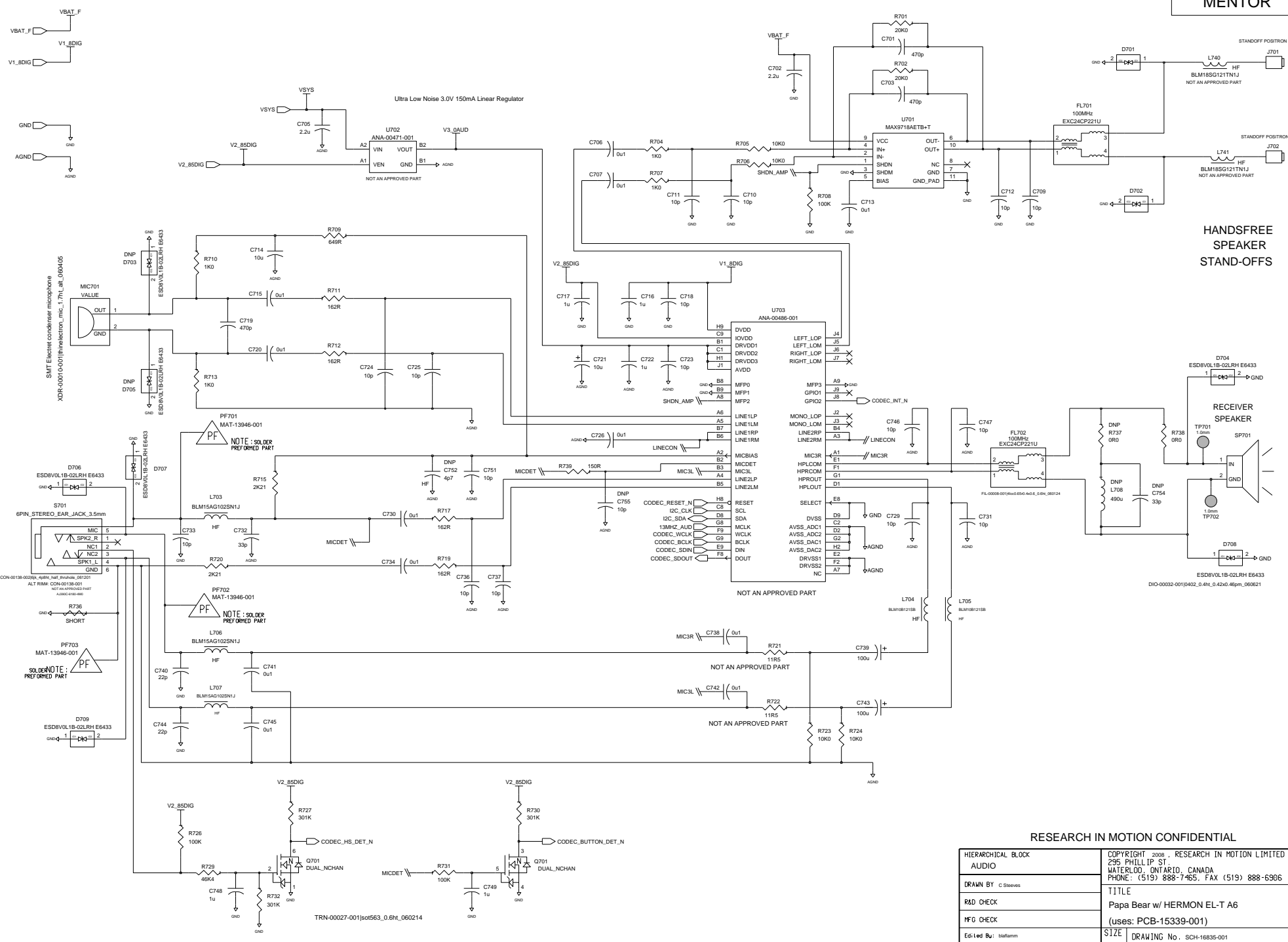
NOT AN APPROVED PART

RESEARCH IN MOTION CONFIDENTIAL



HIERARCHICAL BLOCK PROCESSOR		COPYRIGHT 2008, RESEARCH IN MOTION LIMITED 295 PHILLIP ST. WATERLOO, ONTARIO, CANADA PHONE: (519) 888-7465, FAX (519) 888-6306	
DRAWN BY C.Steeves		TITLE Papa Bear w/ HERMON EL-T A6 (uses: PCB-15339-001)	
R&D CHECK		SIZE DRAWING No. SCH-16835-001	
IFG CHECK		REV 8 SHEET 6 OF 13	
Edi Led Bu: blattamm		Last Ed1: Jul 30, 2008, 1:54:44 pm	

HIERARCHICAL BLOCK AUDIO		COPYRIGHT 2008, RESEARCH IN MOTION LIMITED 295 PHILLIP ST. WATERLOO, ONTARIO, CANADA PHONE: (519) 888-7465, FAX (519) 888-6306	
DRAWN BY C Steeves		TITLE Papa Bear w/ HERMON EL-T A6 (uses: PCB-15339-001)	
R&D CHECK		SIZE DRAWING No. SCH-16835-001	
MFG CHECK		REV 8 SHEET 7 OF 13	
Edi Led Bu: blattamm		C	
Last Ed14: Apr 3, 2008, 2:20:24 pm			

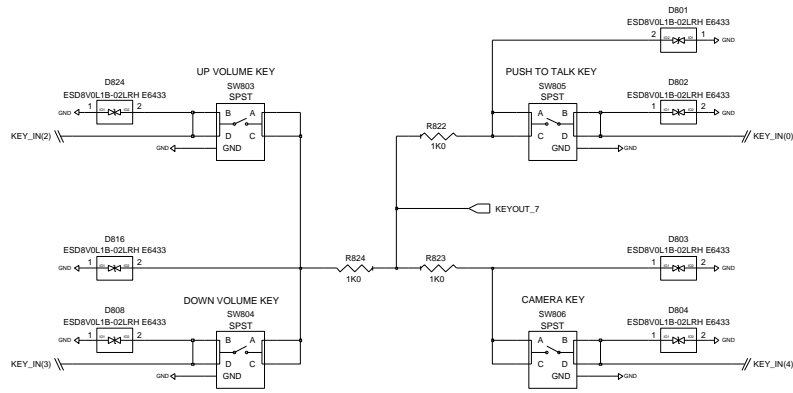


U703 ANA-00486-001

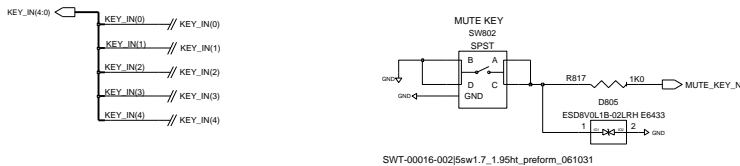
HS	DVDD	J4
CS	IOVDD	J5
B1	DRVDD01	J6
C1	DRVDD02	J7
H1	DRVDD03	
J1	AVDD	
B8	MFP0	A9
B9	MFP1	J9
A8	MFP2	J8
A6	LINE1LP	J2
A5	LINE1LM	J3
B7	LINE1RP	B4
A3	LINE1RM	A3
A2	MICBIAS	F1
B3	MICDET	F1
A4	MIC2L	E1
B5	MIC2R	D1
	RESET	E8
	SCL	D9
	ICL_CLK	C2
	SDA	C2
	WCLK	D2
	MCLK	D2
	CODEC_WCLK	G2
	CODEC_BCLK	G2
	CODEC_SDIN	E9
	DIN	F2
	CODEC_SDOUT	F9
	DOUT	A7
	NC	NC

TRACKBALL

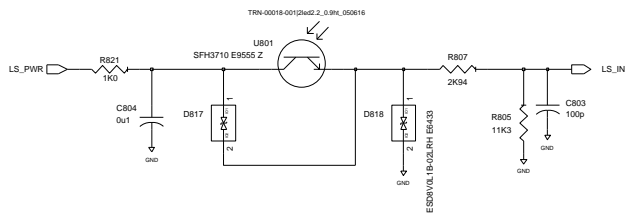
MENTOR



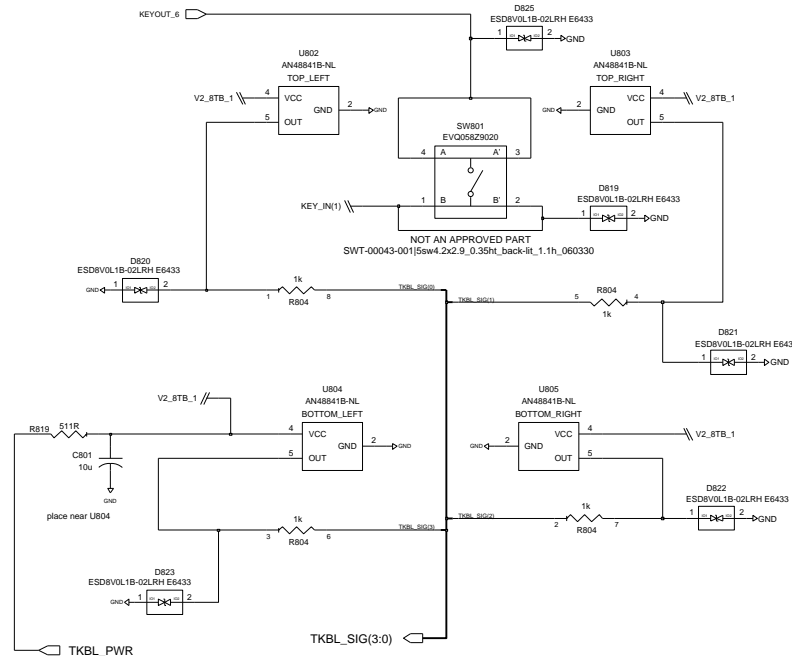
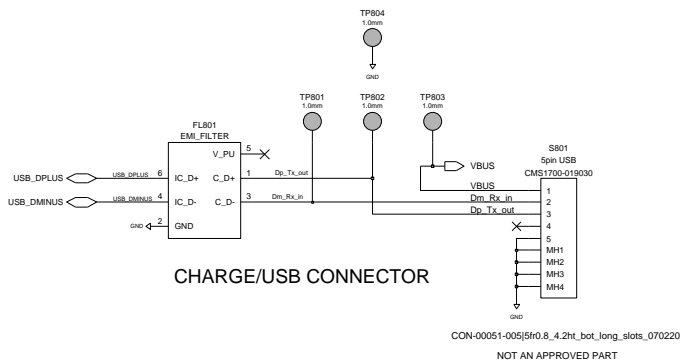
PERIPHERAL KEYS



LIGHT SENSOR

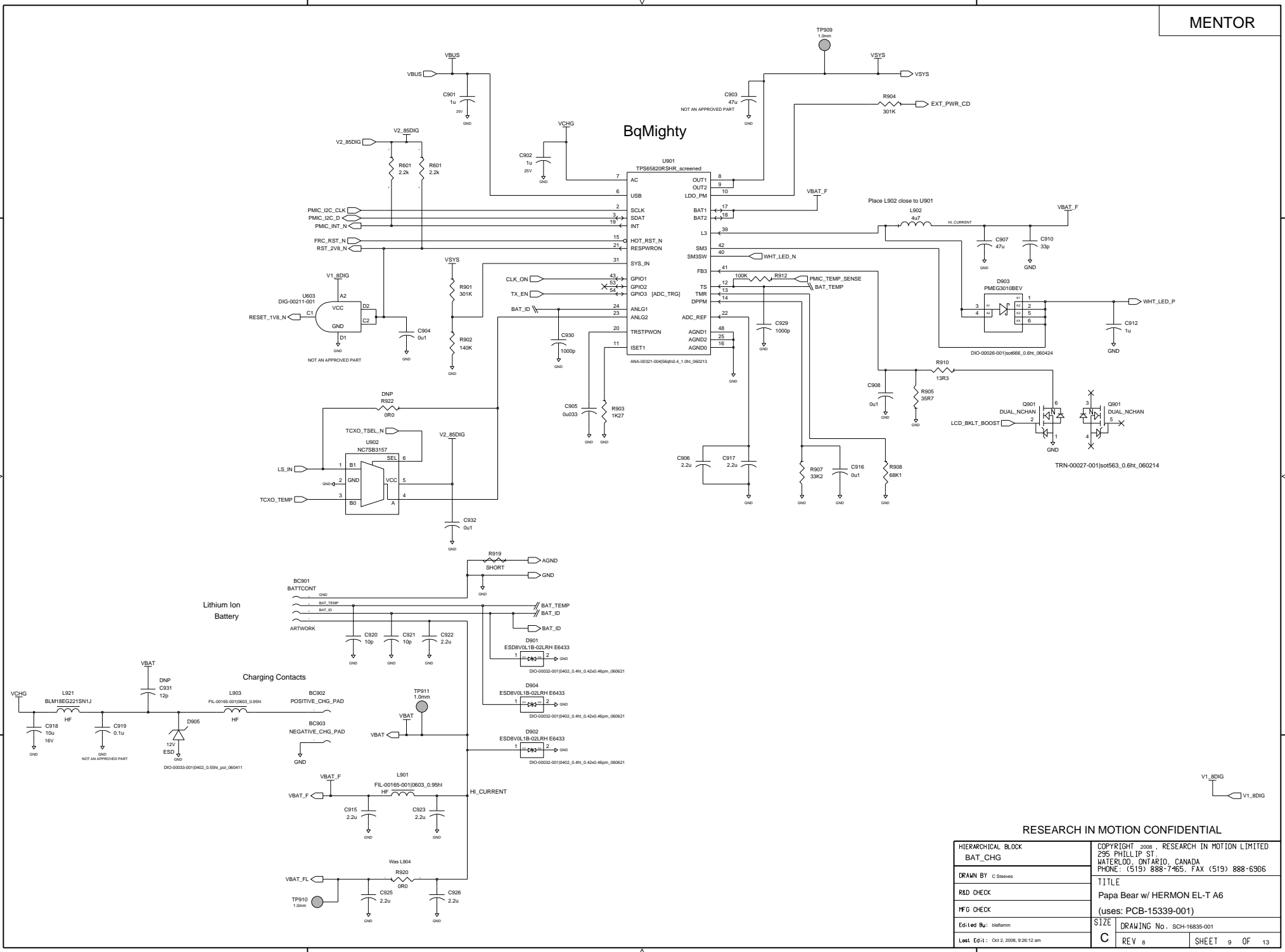


CHARGE/USB CONNECTOR



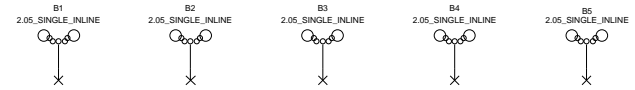
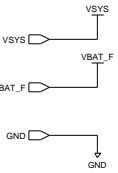
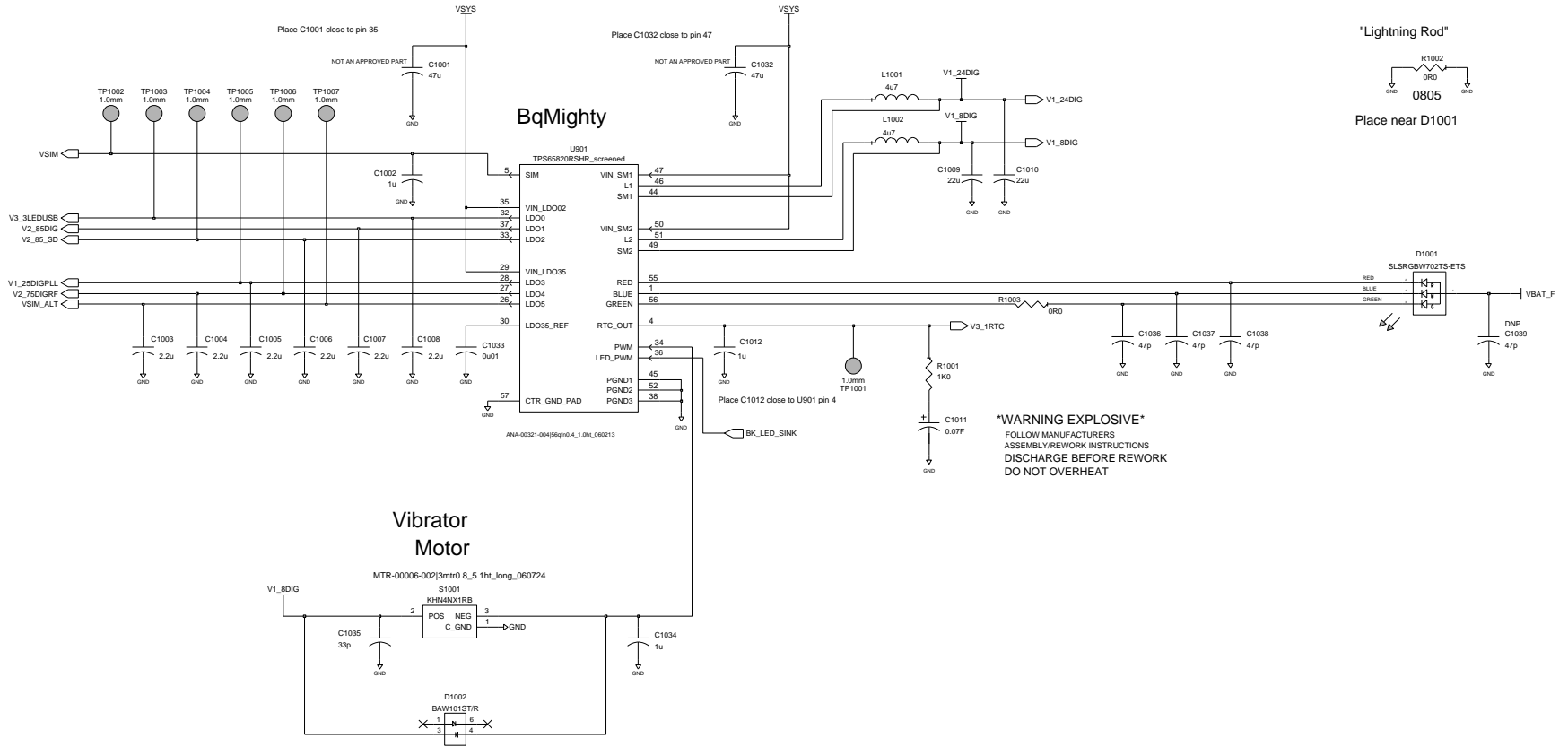
RESEARCH IN MOTION CONFIDENTIAL

HIERARCHICAL BLOCK INTERFACE		COPYRIGHT 2008, RESEARCH IN MOTION LIMITED 295 PHILLIP ST. WATERLOO, ONTARIO, CANADA PHONE: (519) 888-7465, FAX (519) 888-6306	
DRAWN BY: C Steeves		TITLE: Papa Bear w/ HERMON EL-T A6	
R&D CHECK		MFG CHECK	
Edi Led Bu: blattamm		SIZE: DRAWING No. SCH-15339-001	
Last Ed:1: May 8, 2008, 4:11:47 pm		REV 8 SHEET 8 OF 13	



RESEARCH IN MOTION CONFIDENTIAL

HIERARCHICAL BLOCK BAT_CHG		COPYRIGHT 2008, RESEARCH IN MOTION LIMITED 295 PHILLIP ST. WATERLOO, ONTARIO, CANADA PHONE: (519) 888-7465, FAX (519) 888-6306	
DRAWN BY: C Steeves		TITLE Papa Bear w/ HERMON EL-T A6 (uses: PCB-15339-001)	
R&D CHECK		SIZE DRAWING No. SCH-16835-001	
MFG CHECK		C REV 8 SHEET 9 OF 13	
Edi Led By: blattamm		Label Ed1: Oct 2, 2008, 9:26:12 am	



RESEARCH IN MOTION CONFIDENTIAL

HIERARCHICAL BLOCK POWER		COPYRIGHT 2008, RESEARCH IN MOTION LIMITED 295 PHILLIP ST. WATERLOO, ONTARIO, CANADA PHONE: (519) 888-7465, FAX (519) 888-6306	
DRAWN BY: C Steeves		TITLE Papa Bear w/ HERMON EL-T A6 (uses: PCB-15339-001)	
R&D CHECK		SIZE C	
MFG CHECK		DRAWING No. SCH-16835-001	
Edi Led Bu: blattamm		REV 8	
Level Ed1: Oct 2, 2008, 9:27:07 am		SHEET 10 OF 13	

D

D

C

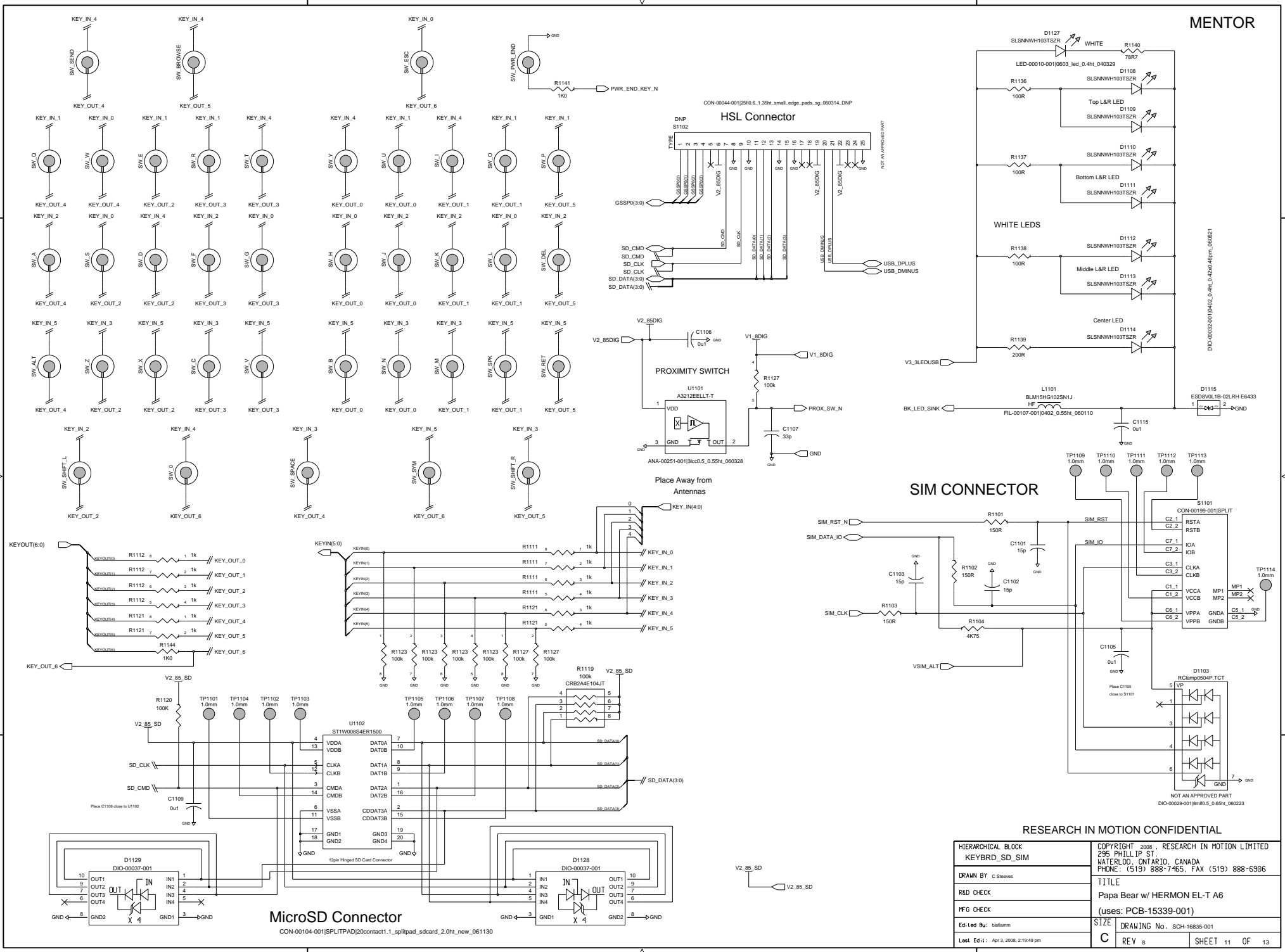
C

B

B

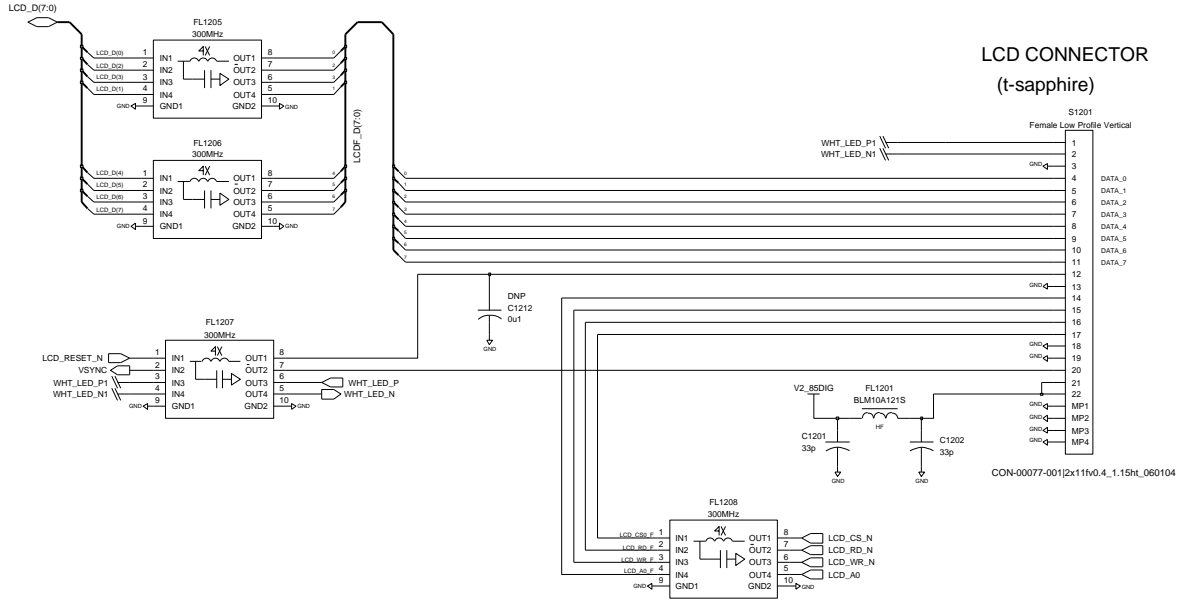
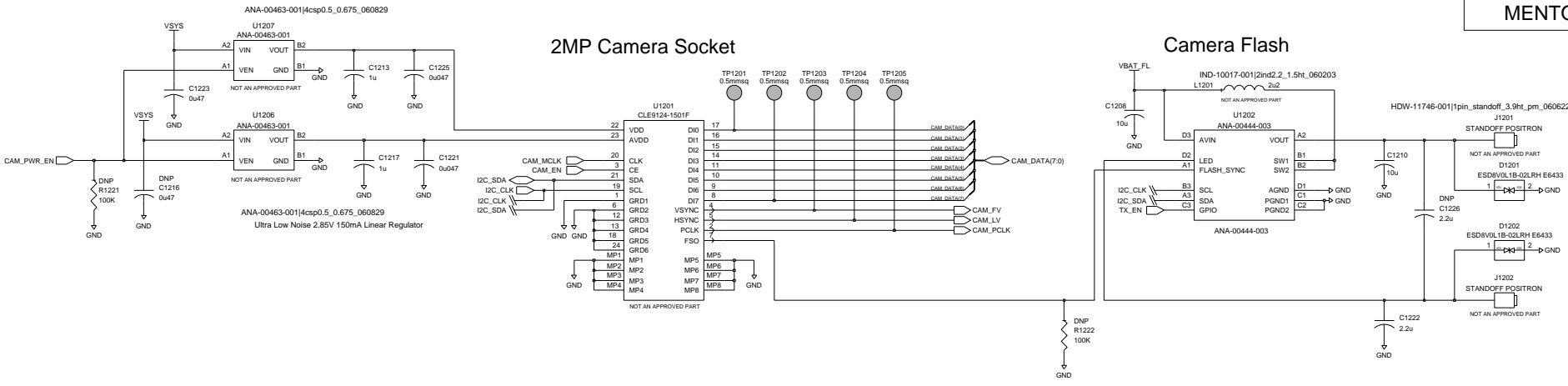
A

A



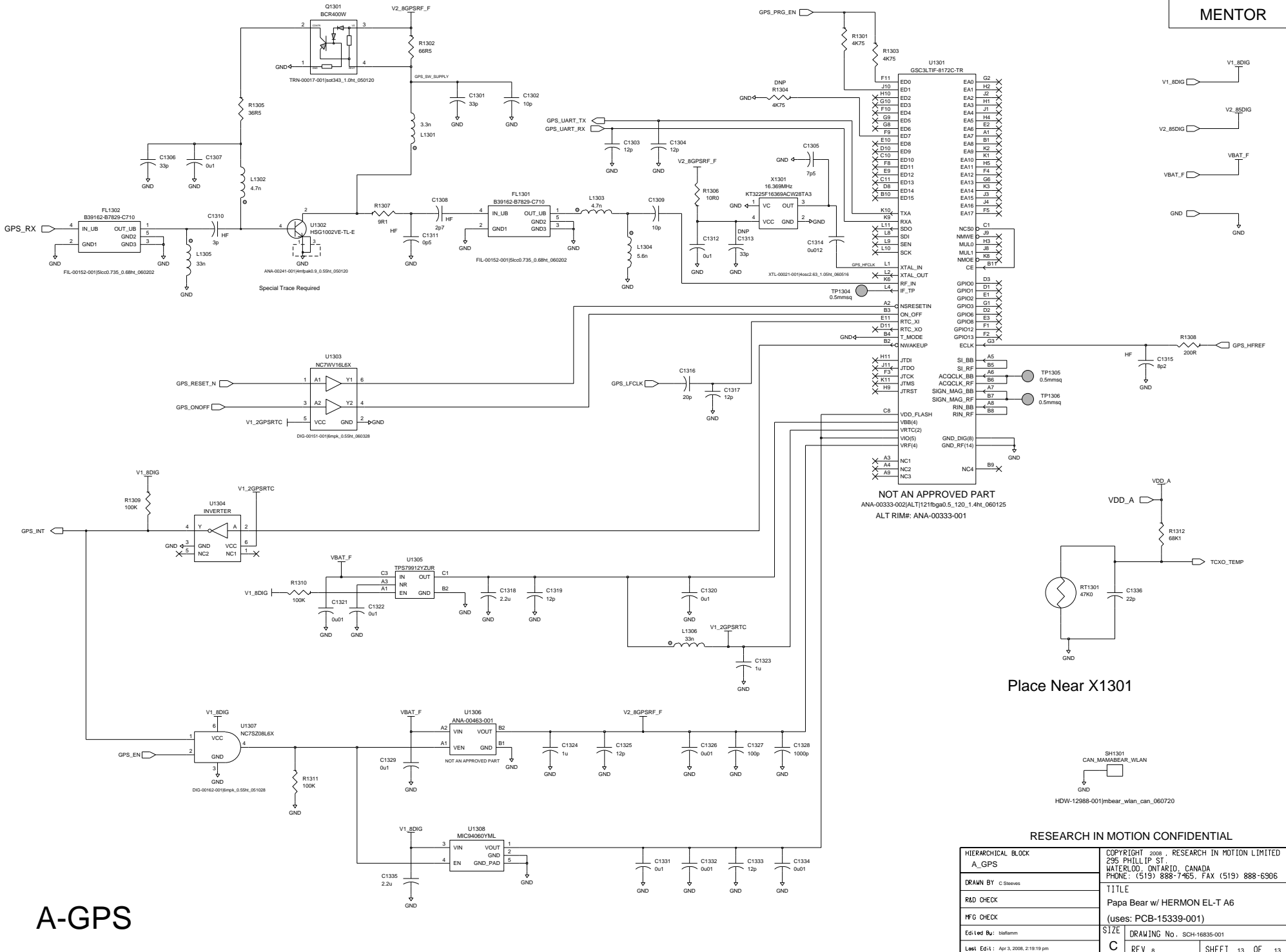
RESEARCH IN MOTION CONFIDENTIAL

HIERARCHICAL BLOCK KEYBRD_SD_SIM		COPYRIGHT 2008, RESEARCH IN MOTION LIMITED 295 PHILLIP ST. WATERLOO, ONTARIO, CANADA PHONE: (519) 888-7465, FAX (519) 888-6306	
DRAWN BY: C Steeves		TITLE Papa Bear w/ HERMON EL-T A6 (uses: PCB-15339-001)	
R&D CHECK		SIZE	
MFG CHECK		DRAWING No. SCH-16835-001	
Ed: Led Bu: blattamm		C	
Last Ed: 1: Apr 3, 2008, 2:19:48 pm		REV 8 SHEET 11 OF 13	



RESEARCH IN MOTION CONFIDENTIAL

HIERARCHICAL BLOCK JOINTERFACE2	COPYRIGHT 2008, RESEARCH IN MOTION LIMITED 295 PHILLIP ST. WATERLOO, ONTARIO, CANADA PHONE: (519) 888-7465, FAX (519) 888-6306
DRAWN BY: C Steeves	TITLE Papa Bear w/ HERMON EL-T A6
R&D CHECK	(uses: PCB-15339-001)
IFG CHECK	SIZE DRAWING No. SCH-16835-001
Edi Led Bu: blattamm	C REV 8 SHEET 12 OF 13
Label Ed1:1 Apr 3, 2008, 2:20:43 pm	



NOT AN APPROVED PART
 ANA-00333-002[ALT]121fba0.5_120_1.4ht_060125
 ALT RIM#: ANA-00333-001

Place Near X1301

RESEARCH IN MOTION CONFIDENTIAL

HIERARCHICAL BLOCK A_GPS		COPYRIGHT 2008, RESEARCH IN MOTION LIMITED 295 PHILLIP ST. WATERLOO, ONTARIO, CANADA PHONE: (519) 888-7465, FAX (519) 888-6306	
DRAWN BY: C.Steeves		TITLE Papa Bear w/ HERMON EL-T A6 (uses: PCB-15339-001)	
R&D CHECK		SIZE DRAWING No. SCH-16835-001	
MFG CHECK		C REV 8 SHEET 13 OF 13	
Ed: Led Bu: blattamm		Level: Ed1: Apr 3, 2008, 2:19:19 pm	

A-GPS