

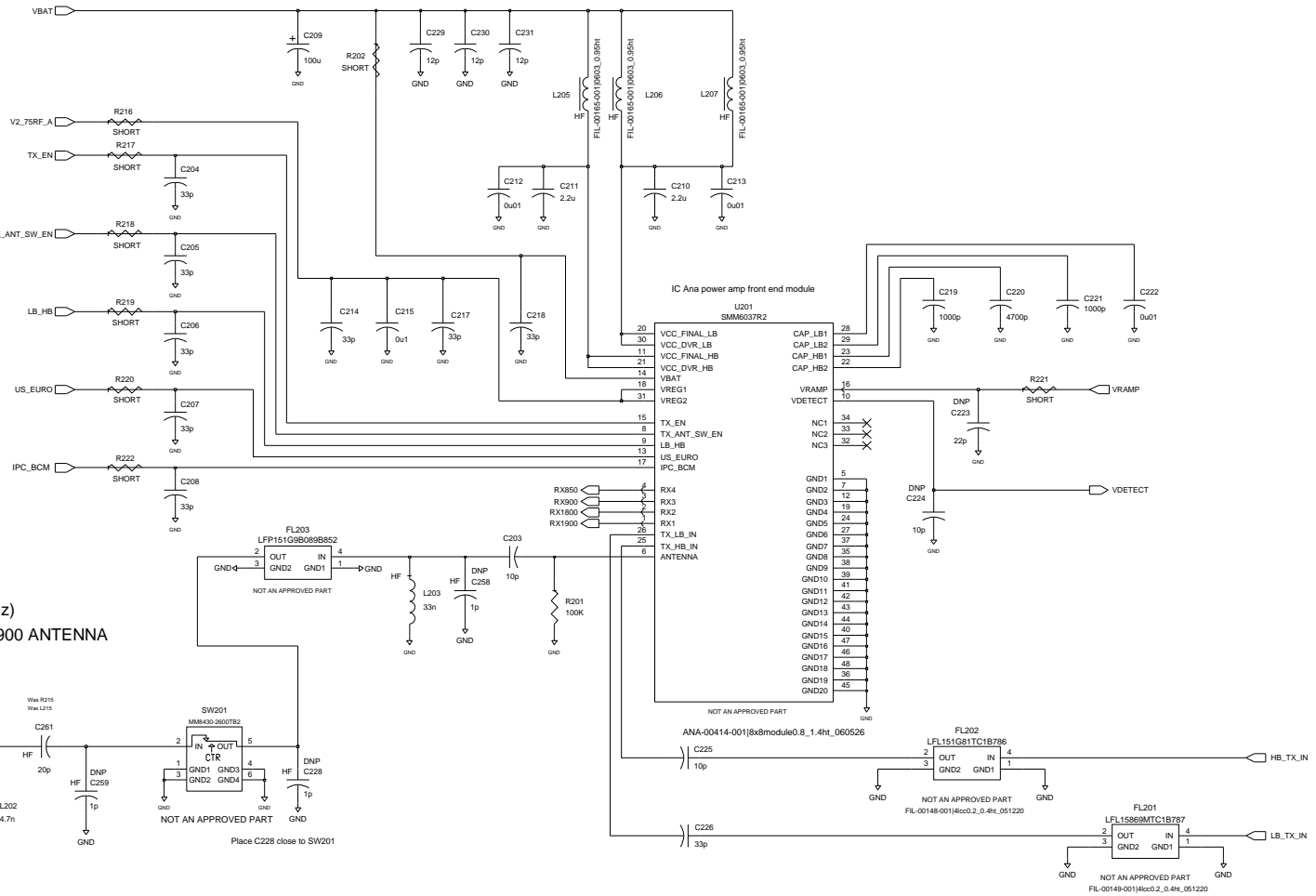
RESEARCH IN MOTION CONFIDENTIAL

HIERARCHICAL BLOCK MAIN		COPYRIGHT 2010, RESEARCH IN MOTION LIMITED 295 PHILLIP ST. WATERLOO, ONTARIO, CANADA PHONE: (519) 888-7465, FAX (519) 888-6306
DRAWN BY Brad LaFlamme		
R&D CHECK		
IFG CHECK		
Edi Led Bu: blaflam		TITLE Mama Bear w/Hermon EL-T A6 (uses: PCB-12365-007)
Last Ed 1: Mar 25, 2010, 10:23:20 am		SIZE DRAWING No. SCH-17960-001
		C REV 9 SHEET 1 OF 13

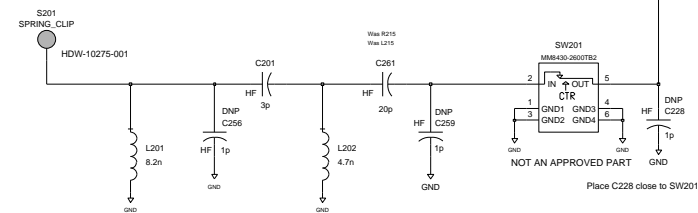
U401
MM6600R2

A3	GND1	F8
A7	GND2	F7
A8	GND3	F6
A10	GND4	F5
A11	GND5	F4
B11	GND6	F4
B10	GND6	F4
B8	GND7	G6
B7	GND9	G7
C4	GND10	G8
C6	GND11	G9
C7	GND12	GND48
C8	GND13	GND49
C11	GND14	GND50
C12	GND15	GND1
D11	GND16	GND2
D9	GND18	GND4
D8	GND19	GND5
D7	GND21	GND7
D6	GND22	GND8
D4	GND23	GND9
D5	GND24	GND10
E4	GND25	GND1
E5	GND26	GND2
E6	GND27	GND3
E7	GND28	GND4
E8	GND29	GND5
E9	GND30	GND6
E10	GND31	GND7
F12	GND33	GND9
F11	GND34	GND70
F10	GND35	GND71
F9	GND36	GND72

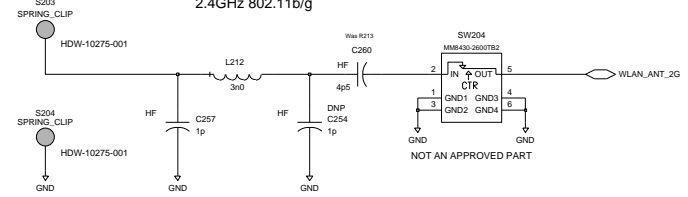
ANA-0027-105103290.M03.1_4ht_051026_01



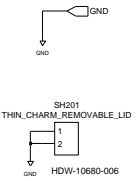
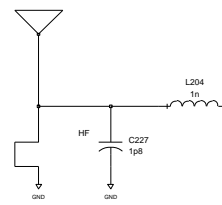
(850/900/1800/1900 MHz)
GSM850/GSM900/DCS1800/PCS1900 ANTENNA



WLAN ANTENNA
2.4GHz 802.11b/g

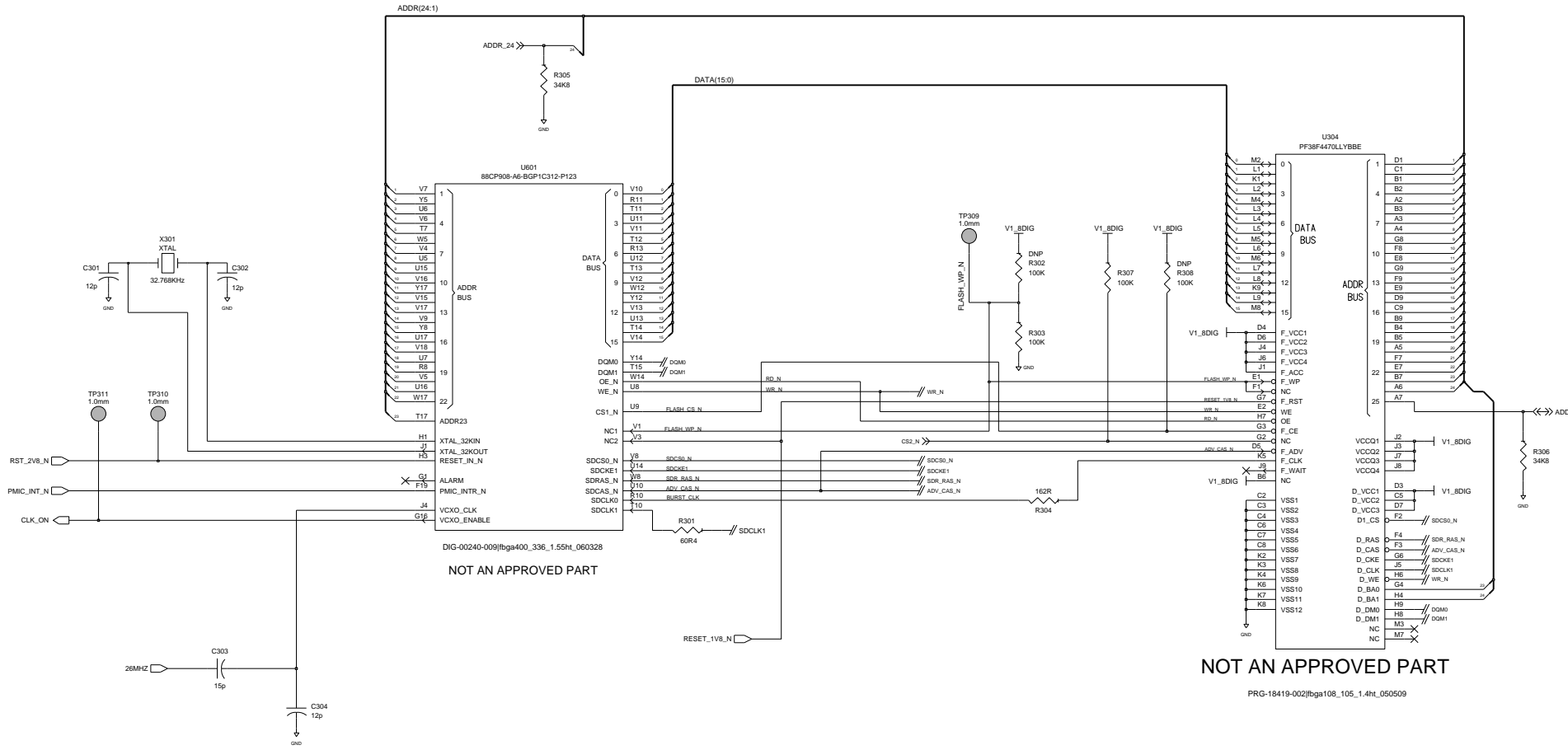


BLUETOOTH ANTENNA



RESEARCH IN MOTION CONFIDENTIAL

HIERARCHICAL BLOCK RF_ANT	COPYRIGHT 2008, RESEARCH IN MOTION LIMITED 295 PHILLIP ST. WATERLOO, ONTARIO, CANADA PHONE: (519) 888-7465, FAX (519) 888-6306
DRAWN BY Brad LaFlamme	TITLE Mama Bear w/Hermon EL-T A6
R&D CHECK	(uses: PCB-12365-007)
IFG CHECK	SIZE DRAWING No. SCH-17960-001
Edi Led By: blflamm	C REV 9 SHEET 2 OF 13
Level Ed1: Feb 12, 2008, 9:16:11 am	

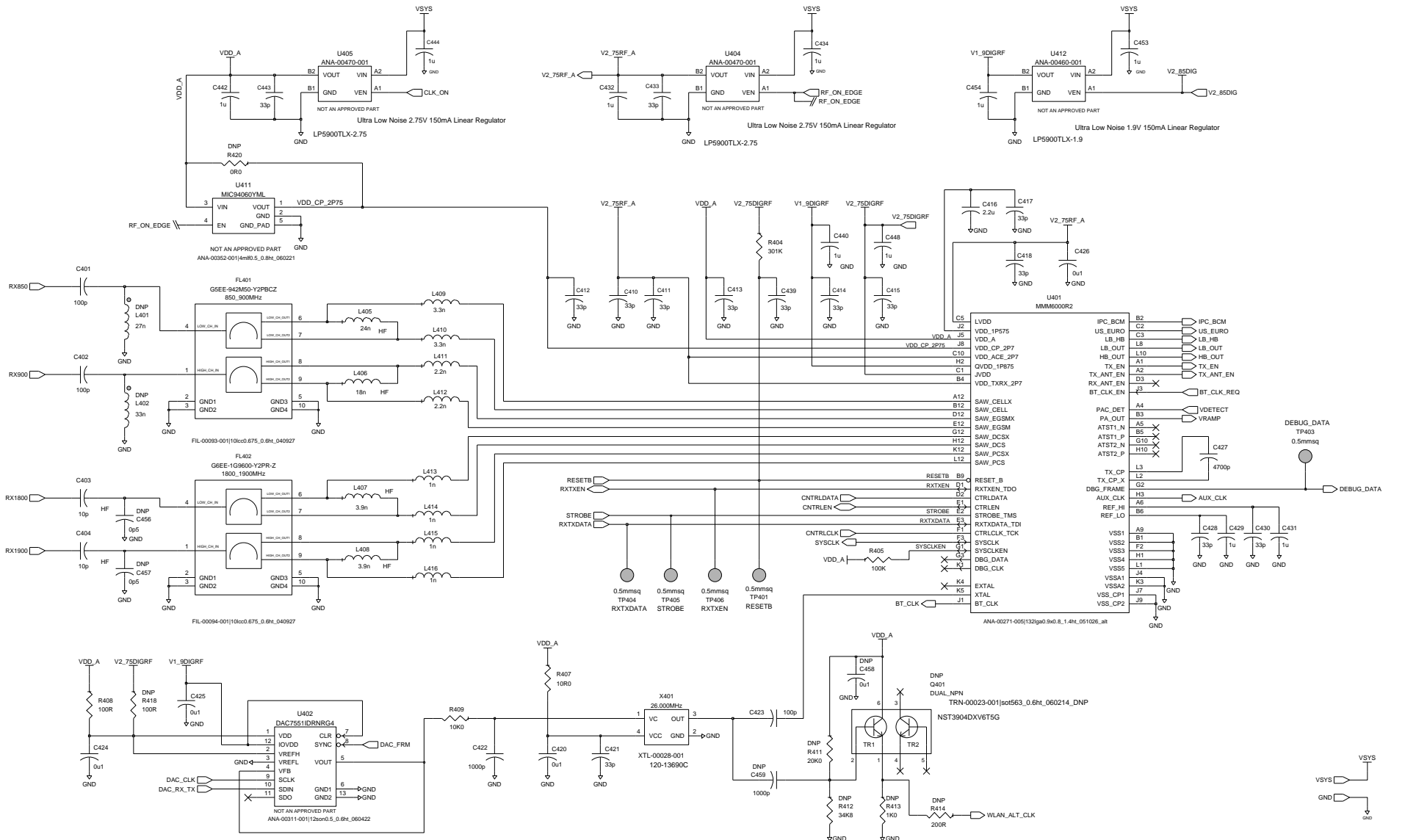


NOT AN APPROVED PART

PRG-18419-002/1bga108_105_1.4ht_050509

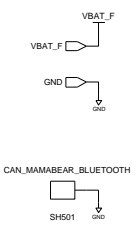
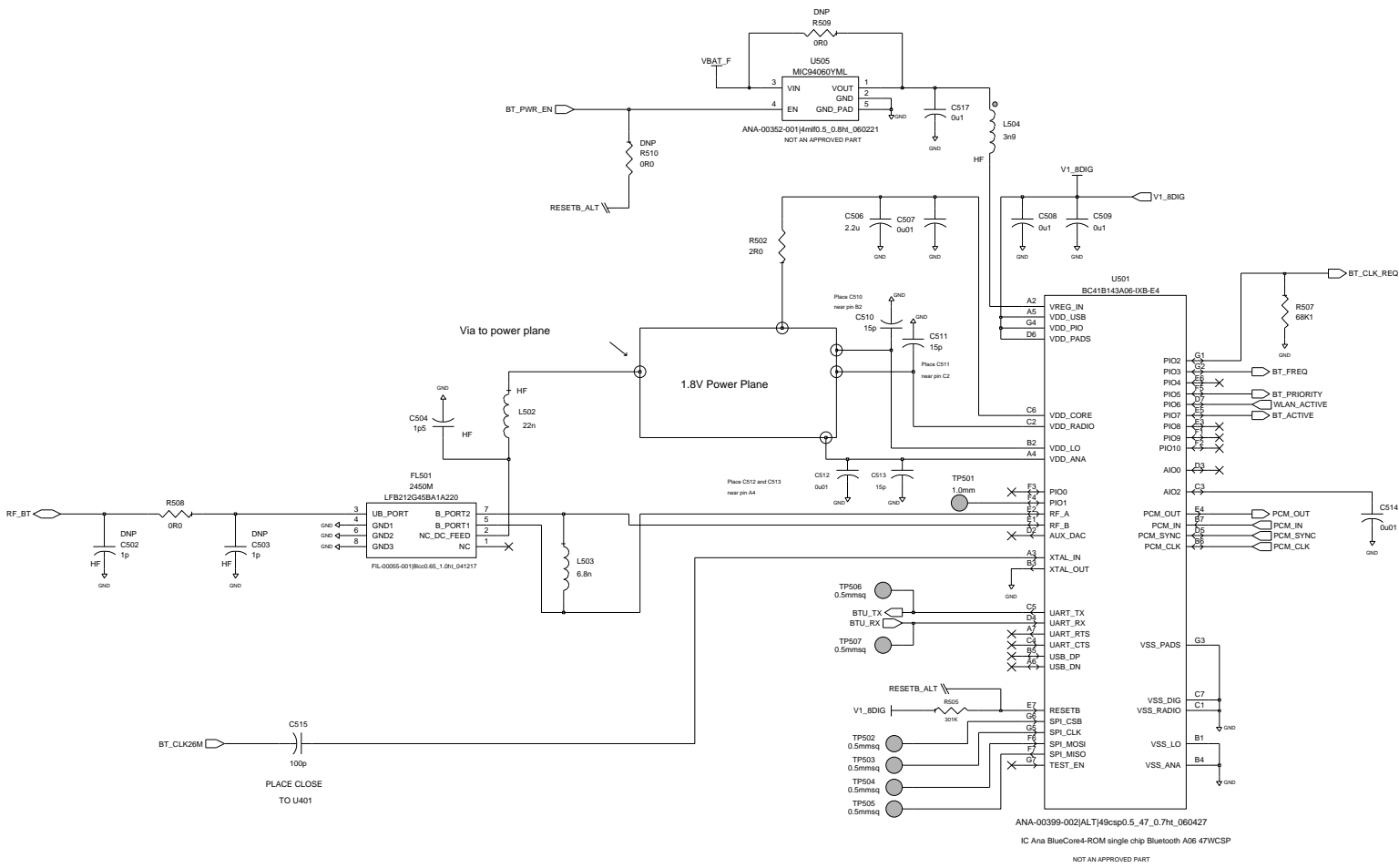
RESEARCH IN MOTION CONFIDENTIAL

HIERARCHICAL BLOCK PROCESSOR2		COPYRIGHT 2009, RESEARCH IN MOTION LIMITED 295 PHILLIP ST. WATERLOO, ONTARIO, CANADA PHONE: (519) 888-7465, FAX (519) 888-6306	
DRAWN BY: Brad LaFlamme		TITLE Mama Bear w/Hermon EL-T A6 (uses: PCB-12365-007)	
R&D CHECK		SIZE C	
MFG CHECK		DRAWING No. SCH-17960-001	
Edi Led Bu: blafamm		REV 9	
Level: Ed14: Jan 15, 2009, 8:48:29 am		SHEET 3 OF 13	



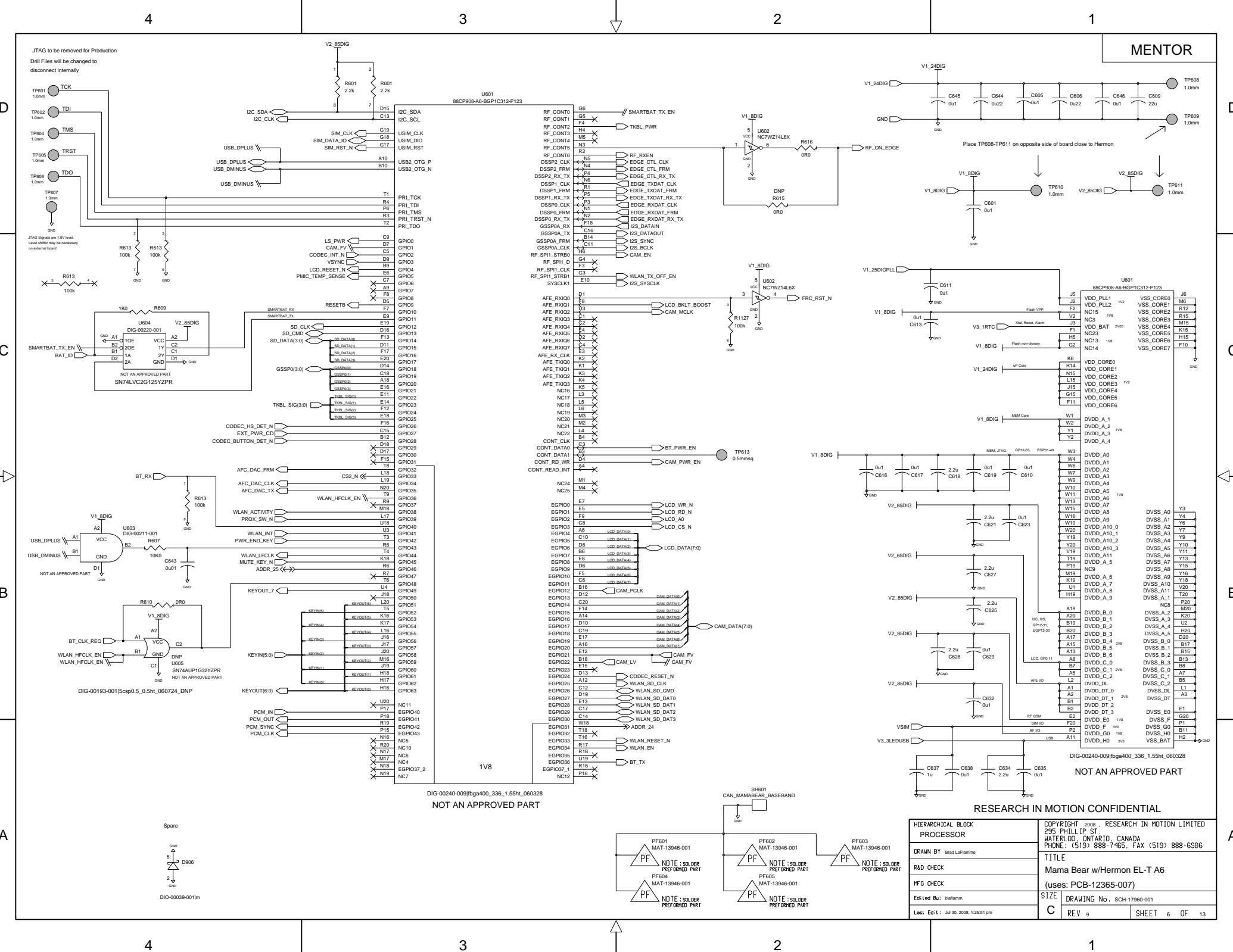
RESEARCH IN MOTION CONFIDENTIAL

HIERARCHICAL BLOCK AFE_TX	COPYRIGHT 2008, RESEARCH IN MOTION LIMITED 295 PHILLIP ST. WATERLOO, ONTARIO, CANADA PHONE: (519) 888-7465, FAX (519) 888-6306
DRAWN BY Brad LaFlamme	TITLE Mama Bear w/Hermon EL-T A6
R&D CHECK	(uses: PCB-12365-007)
HFQ CHECK	SIZE DRAWING No. SCH-17960-001
Edi Led Bu: blafamm	C REV 9 SHEET 4 OF 13
Level Ed1: Feb 12, 2008, 9:57:48 am	



RESEARCH IN MOTION CONFIDENTIAL

HIERARCHICAL BLOCK BT_XCVR		COPYRIGHT 2008, RESEARCH IN MOTION LIMITED 295 PHILLIP ST. WATERLOO, ONTARIO, CANADA PHONE: (519) 888-7465, FAX (519) 888-6306	
DRAWN BY Brad LaFlamme		TITLE Mama Bear w/Hermon EL-T A6 (uses: PCB-12365-007)	
R&D CHECK		SIZE DRAWING No. SCH-17960-001	
MFG CHECK		REV 9 SHEET 5 OF 13	
Edi Led By: blflamm		C	
Last Edt 1: Feb 12, 2008, 9:16:36 am			



4

3

2

1

D

D

C

C

B

B

A

A

4

3

2

1



DIO-00039-001hm

DIG-00240-009/fbga400_336_1.55ht_060328

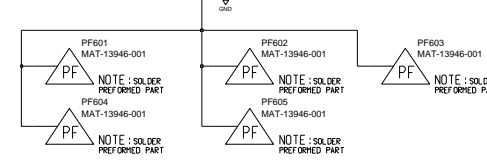
NOT AN APPROVED PART

DIG-00240-009/fbga400_336_1.55ht_060328

NOT AN APPROVED PART

RESEARCH IN MOTION CONFIDENTIAL

HIERARCHICAL BLOCK PROCESSOR		COPYRIGHT 2008, RESEARCH IN MOTION LIMITED 295 PHILLIP ST. WATERLOO, ONTARIO, CANADA PHONE: (519) 888-7465, FAX (519) 888-6306	
DRAWN BY Brad LaFlamme		TITLE Mama Bear w/Hermon EL-T A6	
R&D CHECK		(uses: PCB-12365-007)	
IFG CHECK		SIZE DRAWING No. SCH-17960-001	
Edi Led Bu: blafamme		REV 9	
Last Ed: 1 Jul 30 2008, 1:25:51 pm		SHEET 6 OF 13	



DIO-00039-001hm

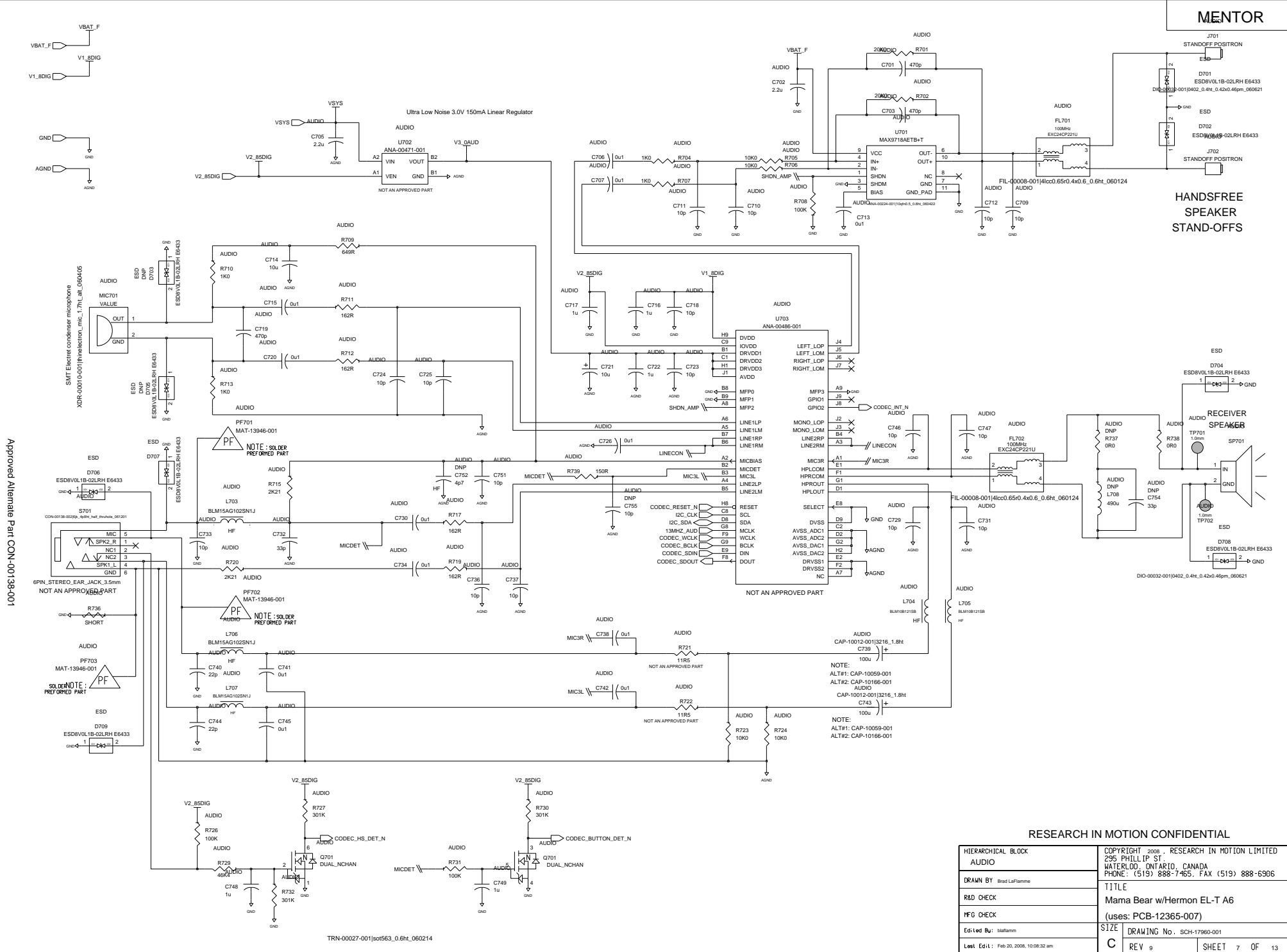
HANDSFREE SPEAKER STAND-OFFS

RESEARCH IN MOTION CONFIDENTIAL

HIERARCHICAL BLOCK AUDIO		COPYRIGHT 2008, RESEARCH IN MOTION LIMITED 295 PHILLIP ST. WATERLOO, ONTARIO, CANADA PHONE: (519) 888-7465, FAX (519) 888-6306	
DRAWN BY Brad LaFlamme		TITLE Mama Bear w/Hermon EL-T A6 (uses: PCB-12365-007)	
R&D CHECK		SIZE DRAWING No. SCH-17960-001	
PFG CHECK		REV 9 SHEET 7 OF 13	
Edi Led Bu: blafamm		Last Ed 1: Feb 20, 2008, 10:08:32 am	

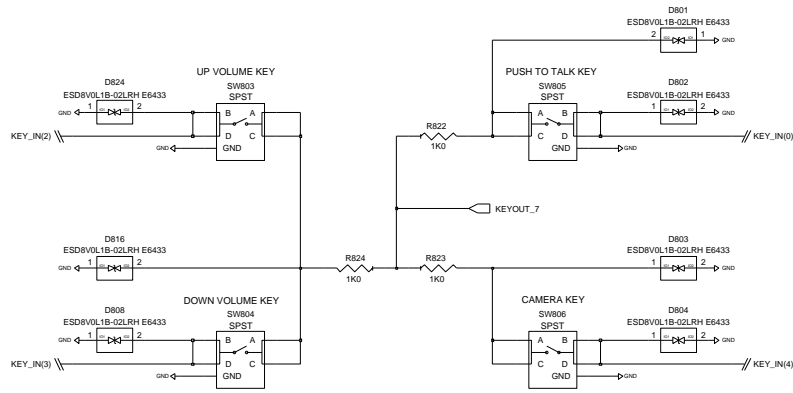
Approved Alternate Part CON-00138-001

TRN-00027-001[snr]563_0.6ht_060214

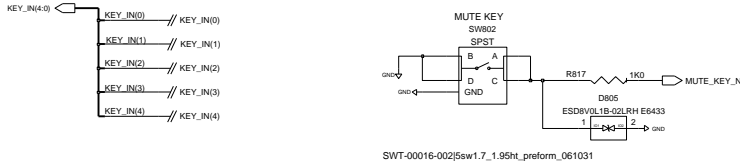


TRACKBALL

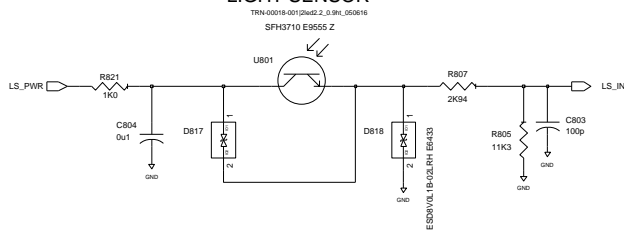
MENTOR



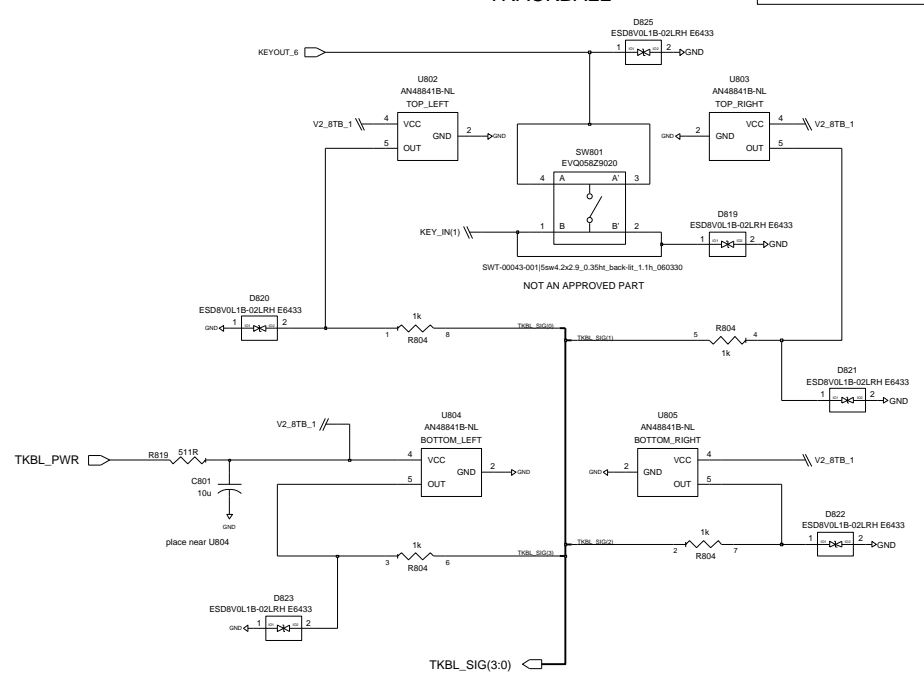
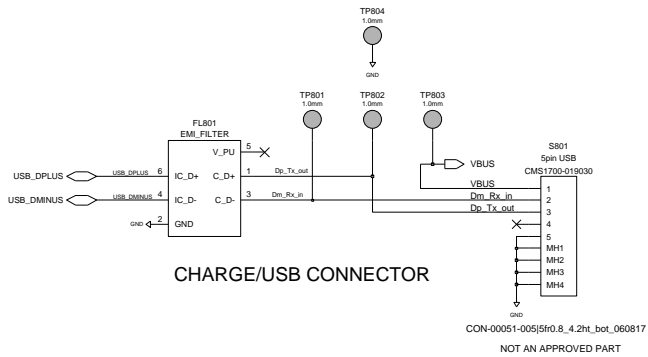
PERIPHERAL KEYS



LIGHT SENSOR

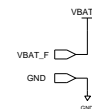


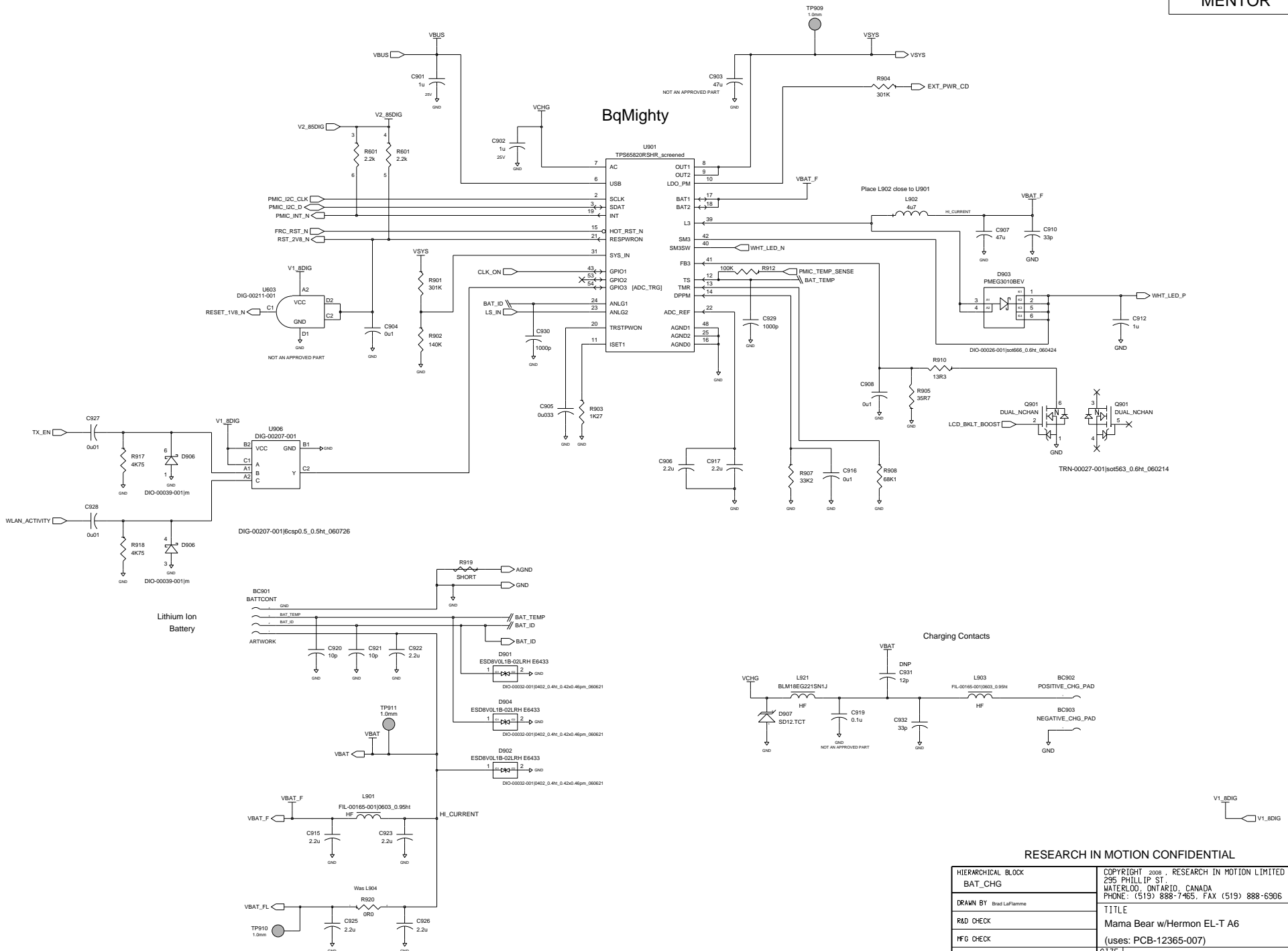
CHARGE/USB CONNECTOR



RESEARCH IN MOTION CONFIDENTIAL

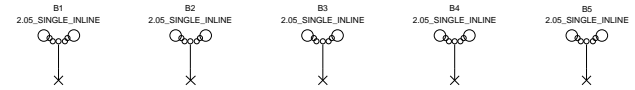
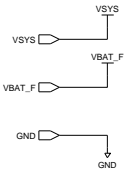
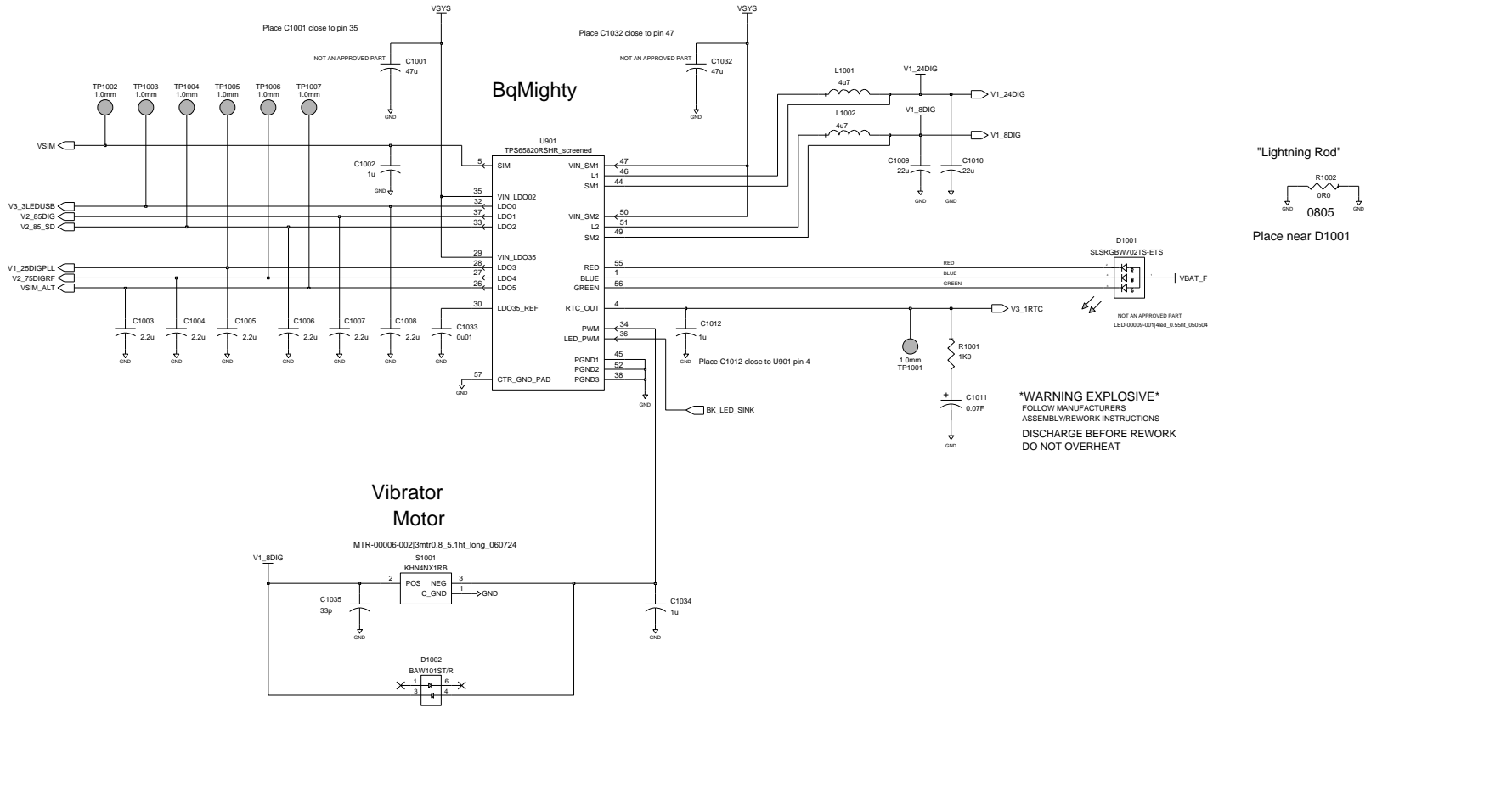
HIERARCHICAL BLOCK JOINTERFACE		COPYRIGHT 2008, RESEARCH IN MOTION LIMITED 295 PHILLIP ST. WATERLOO, ONTARIO, CANADA PHONE: (519) 888-7465, FAX (519) 888-6306	
DRAWN BY: Brad LaFlamme		TITLE: Mama Bear w/Hermon EL-T A6	
R&D CHECK		(uses: PCB-12365-007)	
MFG CHECK		SIZE: DRAWING No. SCH-17960-001	
Ed: Led Bu: blafamm		C REV 9 SHEET 8 OF 13	
Last Ed: 1 May 8, 2008, 3:25:12 pm			





RESEARCH IN MOTION CONFIDENTIAL

HIERARCHICAL BLOCK BAT_CHG		COPYRIGHT 2008, RESEARCH IN MOTION LIMITED 295 PHILLIP ST. WATERLOO, ONTARIO, CANADA PHONE: (519) 888-7465, FAX (519) 888-6306	
DRAWN BY Brad LaFlamme		TITLE Mama Bear w/Hermon EL-T A6	
R&D CHECK		(uses: PCB-12365-007)	
MFG CHECK		SIZE DRAWING No. SCH-17960-001	
Edi Led By: blflamme		C	
Last Ed: Oct 1, 2008, 11:44:10 am		REV 9	SHEET 9 OF 13



RESEARCH IN MOTION CONFIDENTIAL

HIERARCHICAL BLOCK POWER		COPYRIGHT 2008, RESEARCH IN MOTION LIMITED 295 PHILLIP ST. WATERLOO, ONTARIO, CANADA PHONE: (519) 888-7465, FAX (519) 888-6306	
DRAWN BY Brad LaFlamme		TITLE Mama Bear w/Hermon EL-T A6	
R&D CHECK		(uses: PCB-12365-007)	
MFG CHECK		SIZE DRAWING No. SCH-17960-001	
Ed: Led Bu: blflamm		C	
Last Ed: Oct 1, 2008, 11:45:04 am		REV 9 SHEET 10 OF 13	

D

D

C

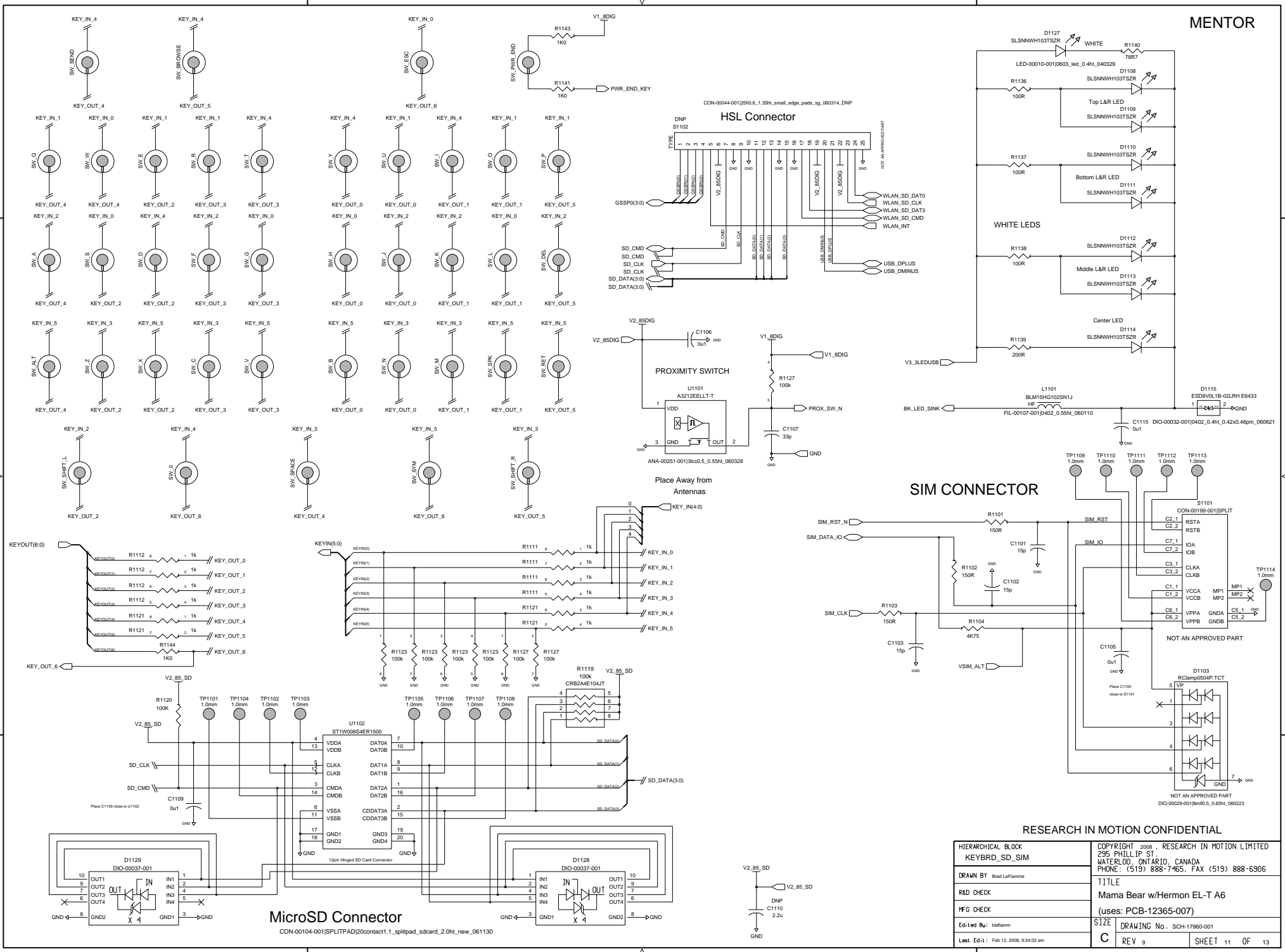
C

B

B

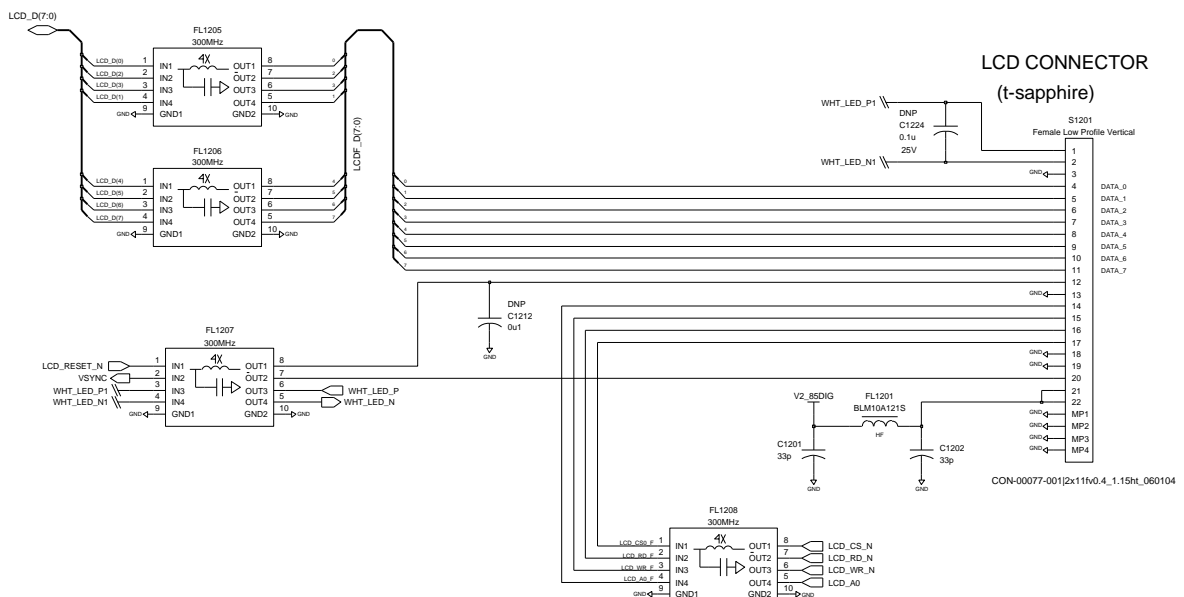
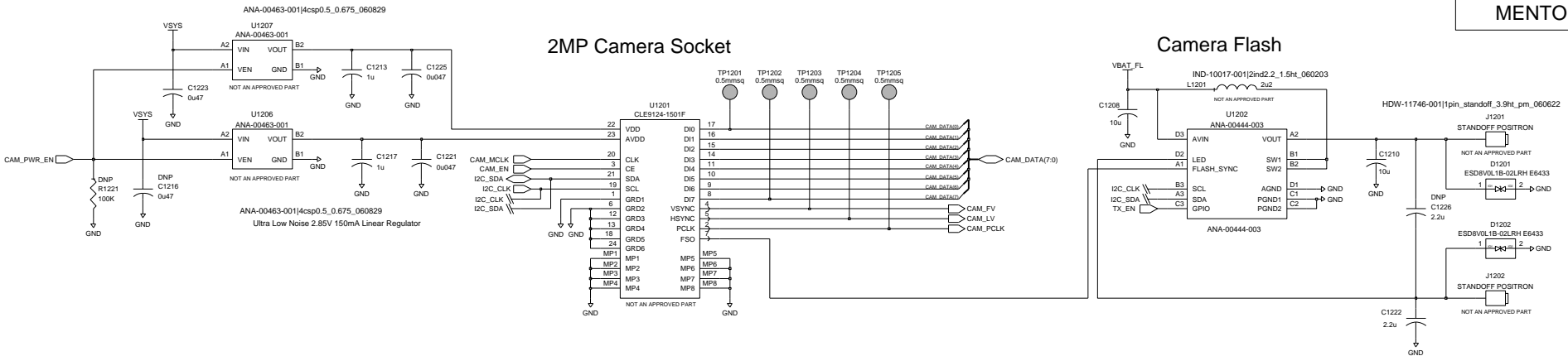
A

A



RESEARCH IN MOTION CONFIDENTIAL

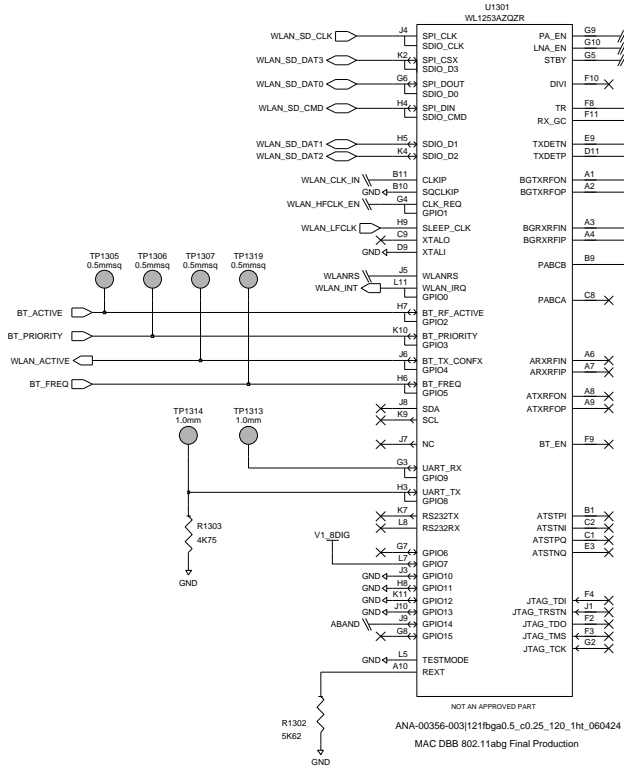
HIERARCHICAL BLOCK KEYBRD_SD_SIM		COPYRIGHT 2008, RESEARCH IN MOTION LIMITED 295 PHILLIP ST. WATERLOO, ONTARIO, CANADA PHONE: (519) 888-7465, FAX (519) 888-6306	
DRAWN BY Brad LaFlamme		TITLE Mama Bear w/Hermon EL-T A6	
R&D CHECK		(uses: PCB12365-007)	
MFG CHECK		SIZE DRAWING No. SCH-17960-001	
Edi Led Bu: blafamm		C REV 9	
Last Ed1: Feb 12, 2008, 9:24:02 am		SHEET 11 OF 13	



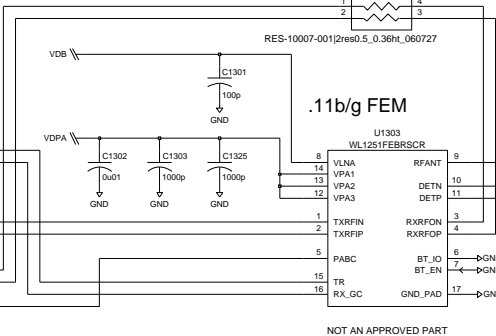
RESEARCH IN MOTION CONFIDENTIAL

HIERARCHICAL BLOCK JOINTERFACE2		COPYRIGHT 2008, RESEARCH IN MOTION LIMITED 295 PHILLIP ST. WATERLOO, ONTARIO, CANADA PHONE: (519) 888-7465, FAX (519) 888-6306	
DRAWN BY Brad LaFlamme		TITLE Mama Bear w/Hermon EL-T A6	
R&D CHECK		(uses: PCB-12365-007)	
MFG CHECK		SIZE DRAWING No. SCH-17960-001	
Edi Led Bu: blafamm		C REV 9 SHEET 12 OF 13	
Last Ed1: Feb 12, 2008, 9:32:36 am			

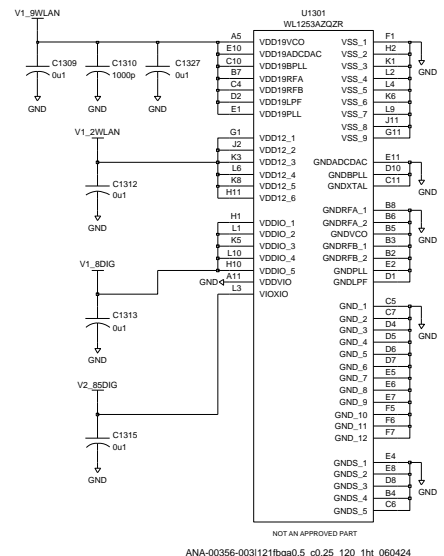
MAC BB



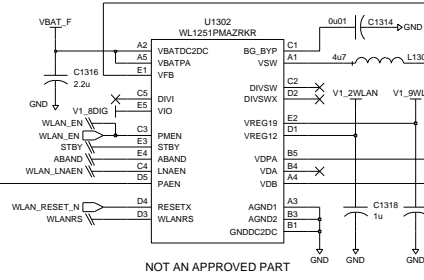
.11b/g FEM



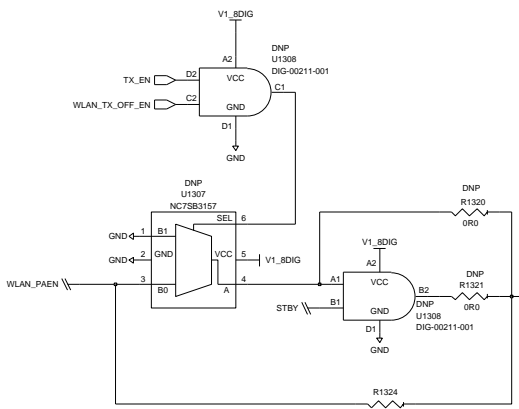
MAC BB



PMIC



WLAN



HIERARCHICAL BLOCK WLAN		COPYRIGHT 2008, RESEARCH IN MOTION LIMITED 295 PHILLIP ST. WATERLOO, ONTARIO, CANADA PHONE: (519) 888-7465, FAX (519) 888-6306	
DRAWN BY Brad LaFlamme		TITLE Mama Bear w/Hermon EL-T A6	
R&D CHECK		(uses: PCB-12365-007)	
IFG CHECK		SIZE DRAWING No. SCH-17960-001	
Edi Led Bu: blafamm		C REV 9 SHEET 13 OF 13	
Label Ed1: Feb 12, 2008, 9:16:50 am			