

VERTU

GETTING STARTED-----	1	GROUPS	33
VERTU PACKAGE CONTENTS	1	EDITING CONTACT NUMBERS	34
CD-ROM	1	EDITING CONTACT NAMES	35
NETWORKS	1	CALL HISTORY-----	36
CONVENTIONS USED IN THIS GUIDE	1	CALL HISTORY	36
GLOSSARY	1	VIEWING THE CALL HISTORY	36
YOUR VERTU PHONE - FRONT VIEW	2	VIEWING MISSED CALLS	36
YOUR VERTU PHONE - BACK VIEW	2	VIEWING RECEIVED CALLS	36
YOUR VERTU PHONE - SIDE VIEW 1	3	VIEWING DIALLED NUMBERS	36
YOUR VERTU PHONE - SIDE VIEW 2	3	VIEWING MESSAGE RECIPIENTS	36
INSERTING THE BATTERY	4	CLEARING LOG LISTS	36
DISPLAY ICONS AND INDICATORS	5	VIEWING CALL DURATION	36
THE GLOWING EARPIECE	5	VIEWING THE PACKET DATA COUNTER	37
USING YOUR VERTU PHONE	5	VIEWING THE DATA TIMER	37
REGISTER YOUR VERTU PHONE	6	VIEWING THE MESSAGE LOG	37
SETUP WIZARD	6	VIEWING THE SYNC LOG	37
HOME SCREEN	7	SETTINGS -----	38
ACCURATE TIME	8	DATE AND TIME	38
VERTU.ME	8	PROFILES	39
CITY BRIEF	9	TONES	39
PROTECTING YOUR VERTU PHONE	10	DISPLAY	40
THE MAIN MENU	11	MY SHORTCUTS	40
PERSONALISING YOUR VERTU PHONE	13	CONNECTIVITY	40
CD-ROM	14	CALL SETTINGS	42
CARE AND MAINTENANCE	15	PHONE SETTINGS	44
SPECIFICATIONS	16	CONFIGURATION	46
SECURITY -----	17	SECURITY	46
PIN CODE	17	WORKSHOP RESET	46
PIN2 CODE	17	SYNC AND BACKUP	47
SECURITY CODE	17	SETUP WIZARD	47
SECURITY LEVEL	18	LOCATION SERVICES	47
SECURITY MODULE	18	DIGITAL RIGHTS MANAGEMENT	47
CALL BARRING	18	SIM SERVICES	48
BARRING PASSWORD	18	ADDITIONS-----	49
FIXED DIALLING	18	GALLERY	49
CLOSED USER GROUP	19	GAMES AND APPLICATIONS	50
AUTHORITY CERTIFICATES AND USER CERTIFICATES	19	CALCULATOR	50
MESSAGES -----	20	MUSIC PLAYER	51
TEXT MESSAGES	22	VOICE RECORDER	52
MULTIMEDIA MESSAGES	24	NOTES	52
AUDIO MESSAGES	26	CALENDAR-----	53
E-MAIL	27	CALENDAR	53
WIRELESS VILLAGE CHAT	28	CALENDAR NOTES	53
VOICE MESSAGES	28	TO-DO LIST	54
INFO MESSAGES	28	ALARM CLOCK-----	56
SERVICE MESSAGES	28	SETTING THE ALARM	56
BLUETOOTH MESSAGES	28	WEB -----	57
SERVICE COMMANDS	28	AUTOMATICALLY SETTING UP WEB BROWSING	57
CONTACTS -----	29	MANUALLY SETTING UP WEB BROWSING	57
CONTACTS MEMORY	29	VERTU MOBILE	57
ADDING CONTACTS	30	HOME	57
ACCESSING CONTACTS	30	GO TO ADDRESS	57
CONTACT NUMBER AND TEXT TYPES	30	BROWSE PAGES	57
CONTACTS MENU	31	EXIT	57

VERTU

SETTINGS	58
CLEAR THE CACHE	58
VERTU SERVICES-----	60
VERTU SELECT.....	60
VERTU FORTRESS	60
VERTU CONCIERGE	60
CITY BRIEF	61
TRAVEL.....	61
SET UP MANUAL ROAMING	62
ACCESSORIES -----	63
WALL CHARGER.....	63
BATTERY.....	64
DATA CABLE.....	65
VEHICLE CHARGER.....	65
DESK STAND	66
APPENDIX -----	67
SAFETY, WARRANTY AND LEGAL INFORMATION	67
MANUFACTURER'S LIMITED WARRANTY	68

1 GETTING STARTED

Vertu package contents

- 1 Vertu Signature phone RM466V
- 1 Signature Guide
- 1 Certificate of authenticity
- 1 Warranty and safety information
- 1 CD-ROM
- 2 Battery BL-5CV Li-ion
- 1 Wall charger
- 1 Car charger
- 1 Data cable
- 1 Microfibre polishing cloth

The package contents may vary slightly in accordance with regional regulations.

CD-ROM

The CD-ROM provided with your Vertu phone contains the following items:

- > *Vertu PC Suite (for PC only)*
- > *iSync Plug-in (for Macintosh only)*
- > *An electronic version of the Reference Manual*
- > *Link to set up your Vertu phone for MMS, browsing and e-mail*
- > *A link to register your Vertu phone.*

For more information please see "CD-ROM" on page 14.

Networks

To use the phone you must have service from a wireless service provider. Many of the features require special network features. These features are not available on all networks; other networks may require that you make specific arrangements with your service provider before you can use the network services. Your service provider can give you instructions and explain what charges will apply.

The wireless device described in this guide is approved for use on the GSM 850/900/1800/1900 networks. Contact your service provider for more information about networks.

Conventions used in this guide

Menu Represents text that appears on your Vertu phone's display, for example, "From the stand-by display, press **Menu**".

SEND Represents a Vertu phone key, for example, "Press the **SEND** key to make the call".



Important information relating to safety.



Represents useful information or a quick way to access or operate a feature.



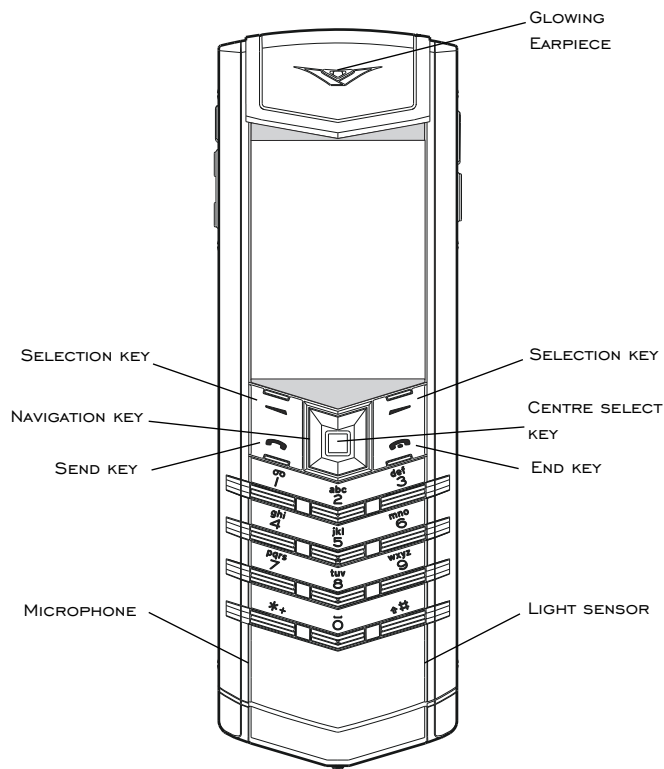
Represents points to be aware of when using your Vertu phone.

Glossary

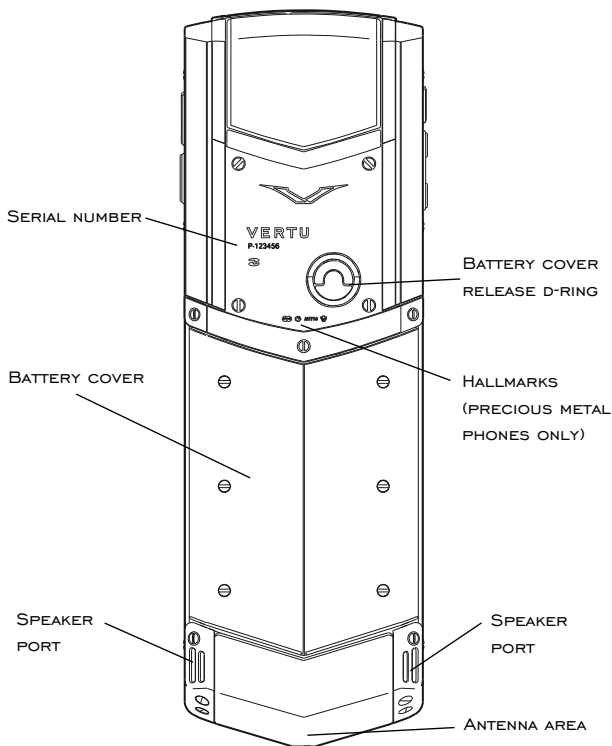
NAVIGATION key	Move the cursor up, down, left and right by pressing on the key edges.
CENTRE SELECT key	Press this key to select an item.
Stand-by screen	The screen that displays when you repeatedly press the END key.
NUMBER keys Default	The keys that are used to enter text or numbers. Initial product setting as supplied by Vertu when the phone leaves our workshop.
SIM card	Subscriber Identity Module. This is a small card supplied by your service provider to insert into your Vertu phone for a network connection.
Service provider	The provider of your SIM card and all associated network services.
Network service	A feature which is made available at the discretion of your service provider.
Stand-by display	The display that appears when your Vertu phone is switched on, with Menu displayed at the bottom.
PIN number	A Personal Identification Number that allows only authorised access to your Vertu phone and SIM card. We strongly recommend that you set these up when you receive your new Vertu phone and SIM card.

VERTU

Your Vertu phone - front view



Your Vertu phone - back view



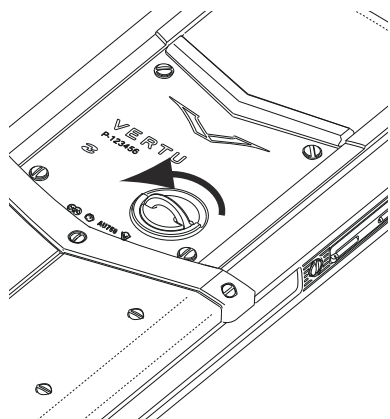
VERTU

Inserting the battery



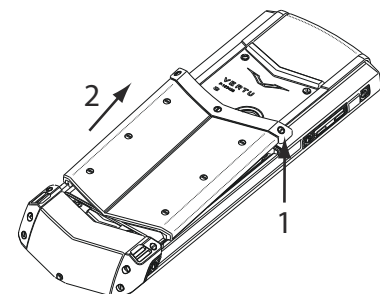
Always switch the phone off and disconnect the charger before touching the battery.

Remove the battery cover



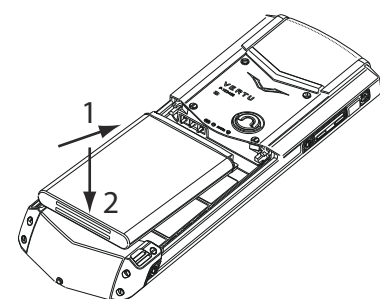
With the back of the Vertu phone facing you, lift the top half of the battery cover release D-ring with your finger nail.

Hold it between your thumb and forefinger and turn anticlockwise until the back cover pops open.



Raise the battery cover slightly (1) and then move the cover gently towards the top of the phone (2).

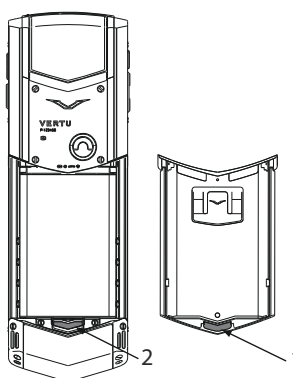
Insert the battery



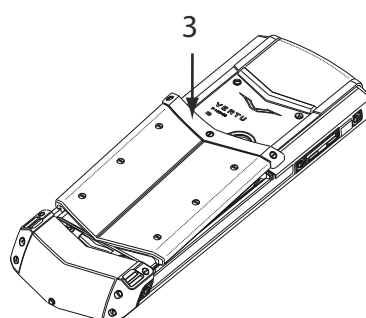
Insert the battery at an angle (1) so that the battery contacts align with the contacts in the battery compartment.

Lower the battery into the battery compartment (2) and ensure that the battery is seated correctly before replacing the battery cover.

Replace the battery cover



To replace the battery cover, carefully insert the internal clip (1) on the inside of the battery cover into the slot below the battery (2).



Lower the battery cover into position (3) until it clicks into place. The cover should close tightly using only light pressure.

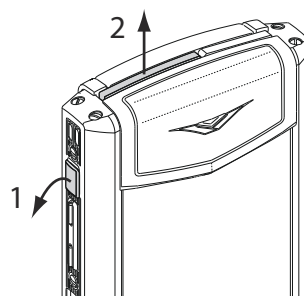
Insert the SIM card



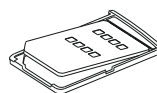
Keep SIM cards out of the reach of small children.

The SIM card and its contacts are easily damaged.

Be careful when handling, inserting or removing the SIM card.

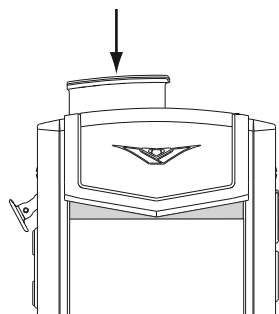


To open the SIM drawer, insert a finger nail under the SIM drawer release lever (1). Fully extend the lever until the SIM drawer (2) is half way out of the phone. Fully remove the SIM drawer from the phone.



Place the SIM in the SIM drawer, aligning the slanted corners and ensuring the SIM is seated properly in the drawer.

VERTU



Hold the SIM and SIM drawer between your thumb and forefinger to ensure the SIM does not get damaged. Insert the SIM drawer containing the SIM into the top of the phone. Push it gently all the way in, making sure it clicks into position and the SIM lever is set fully in on the side of the phone.

Display icons and indicators

The display shows the current status of your Vertu phone.



The GSM signal strength indicator appears at the top left of the display.



This illustration shows a strong signal.



This illustration shows that the signal strength is weak. To obtain a stronger signal move to an area clear of obstructions that may block the signal.



The battery charge indicator appears at the top right of the display.



This illustration shows a fully charged battery.



This illustration shows that the battery charge level is low and you need to recharge your Vertu phone soon.

Status icons are displayed below the battery charge and signal strength indicators. The most commonly displayed icons are:



You have received one or more text messages.



You have missed a call.



You have a voice message waiting (may not be shown on all networks).



The **Flight** profile is selected. Alternative icons are displayed for other profiles.



Audible alerts are disabled. There is no ringing tone when you receive a call.



The keypad is locked.



An alarm is set.



Bluetooth is switched on.



A GPRS connection is active.



Inaccurate time icon indicates that the displayed time has not synchronised with the network and thus may not be correct.

The glowing earpiece

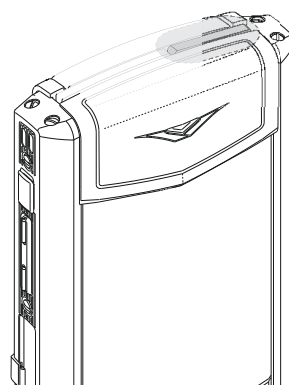
The light in the glowing earpiece flashes at different rates to indicate the status of your Vertu phone.

- > *In stand-by mode the light flashes slowly.*
- > *If you have missed a call or received a message the light flashes quickly.*
- > *When you are charging your Vertu phone from the mains or through your computer the light will be on permanently.*

Using your Vertu phone

To help you start using your Vertu phone as quickly as possible, please read the following information carefully.

Switching your Vertu phone on and off

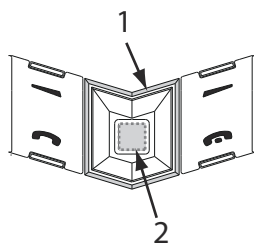


Press and hold the **POWER** key to switch your Vertu phone on or off.

The battery may not be fully charged when you first receive your Vertu phone. If a **Battery low** message is displayed when you first switch on your Vertu phone please see "Charging the battery" on page 63 for more information.

VERTU

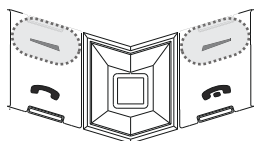
Navigation key and centre select key



The **NAVIGATION** key (1) enables you to move the cursor up, down, left and right around the display.

The **CENTRE SELECT** key (2) enables you to select a highlighted option or select the middle option at the bottom of the screen.

Selection keys



The **SELECTION** keys enable you to select the options displayed at the bottom of the display, directly above the keys.

Register your Vertu phone

Vertu aims to provide you with the very best service possible.

To enable us to do this, please register your Vertu phone. Normally this is done when the Setup wizard is run, as described below, but it can be accomplished through <https://www.vertu.me> or by calling Vertu Concierge using the dedicated key on the side of your phone.

Setup Wizard

When you switch on your Vertu phone for the first time, you will be guided through certain setup options by the Vertu Setup Wizards. These enables you to quickly and easily set up the following functions:

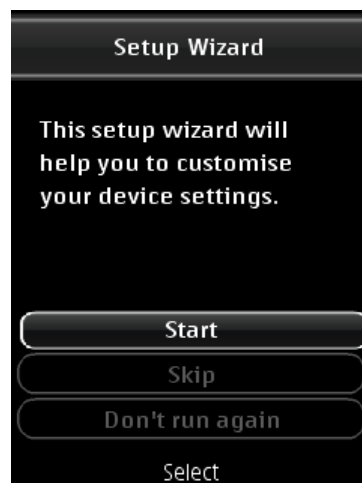
- > Home location.
- > Bluetooth name.
- > Accurate date and time.
- > Phone registration.



While running the Setup Wizard, you will be asked to give permission for automatic network connections, and agree to accept the related data charges. If you do agree, your Vertu phone will automatically adjust to regional time variations.

Setting up your phone

When your Vertu phone is switched on for the first time, you are taken through a few simple steps to set up your phone by the Setup Wizard. Prior to the setup, you must insert a valid SIM in your Signature phone, and be in a location with cellular data connectivity.



You will first be asked to accept the Terms and Conditions. This will automatically enable you to use the core features of your Signature phone.

When you accept the Terms and Conditions, the date and time is set automatically. If the Terms and Conditions are declined, the date and time needs to be set manually. Subsequently you can create a Bluetooth name for your phone or accept the default.

You will be asked to register the product, which is essential for enabling the extensive and complimentary services offered on your Signature phone. The easiest way is to call Vertu Concierge, who will set up your account for you, but you can register the phone yourself. If you are already a registered customer, you will need to enter your username and password. If not, registration is quick as all you need to do is to enter a few details. To complete the registration process, you may need to enter the Serial Number of your Signature phone which is found on the back of the phone.

To run the Setup Wizard again at any time:

From the stand-by display, press **Menu » Settings » Setup wizard**.

Setting up your Vertu.Me e-mail account

Your Vertu.Me e-mail account is set up automatically once you have successfully completed the registration process, and the details have been activated by Vertu services. The account details are subsequently sent automatically to your Signature phone shortly after the registration process completes.

VIP e-mail filtering is supported on your Signature phone. Following registration you will receive an email from Vertu to your Vertu.Me account explaining how to activate and deactivate this service via the Vertu.Me web portal.

This service enables you to choose whether to allow your Vertu.Me account to receive e-mails from all senders or only receive e-mails from senders within your Vertu.Me Contacts list.

Refer to "Filtered E-mail" on page 27 for more information.

VERTU

Setting up e-mail accounts

If no email account is set up initially, from the stand-by display select **Menu » Messages » E-mail**. Follow the on screen instructions, entering your email address and the E-mail wizard will automatically search the web for the relevant email settings for that email. Enter your password when you first Connect to that mailbox. Note that the E-mail wizard may not work for all e-mail providers.

You can have multiple e-mail accounts on your Signature phone. Additional mailboxes are set up from the Messaging menu. Select **Menu » Messages » Options** and select Add Mailbox. Enter the email address and repeat the process described above.

You can synchronise your contacts and calendar on your phone using your Vertu.Me account. Refer to "Vertu.Me synchronisation" on page 42.

Home screen

The home screen displays a configurable clock, along with icons and indicators which show the current status of your Vertu phone.

Two home screen options are available, Classic, and Services.

To select a display option:

1. From the stand-by display, select **Menu » Settings » Display » Homescreen**
2. Select either **Services** or **Classic**.

To choose settings for the clock display, from the stand-by display select **Menu » Settings » Date and time**. Refer to "Date and time" on page 38 for further information.

Home Screen - Services option

The Services option enables easy access to City Brief and Vertu.Me.

- > Press the right NAVIGATION key to access your Vertu.Me e-mail.
- > Press the left NAVIGATION key to select City Brief.

Services mode, Analogue clock with Accurate time set but not synchronised and away from home, with Alarm set.



Services mode, Digital clock with Accurate time set and away from home



Home screen - Classic option

The clock displays the time and date in the home screen.

You can set the clock to display in analogue or digital format, or have no clock displayed. The date is always displayed.

Classic mode, Analogue clock, Accurate time set and away from home



By default the left NAVIGATION key provides access to Messages, while the right NAVIGATION key switches Bluetooth On or Off. Refer to "Navigation keys" on page 40 for more information.

VERTU

Accurate Time

The Accurate time feature automatically keeps the phone clock accurate, and means that you do not need to set the time or date manually when you travel to another time zone or a different country (but the SIM card must be present in the phone). When enabled, this sets the system clock to the local UTC value, from which the necessary GMT offsets are applied automatically to present the correct time and date.

If there is a problem with the automatic time update system, a warning icon appears to notify users that the current time may be inaccurate. The warning covers various situations including:

- > *The current location is unknown so the time cannot be updated.*
- > *On first power-up, when the user agreed to the terms and conditions, the mobile phone network was out of reach.*
- > *Travelling to a country with multi-time zone and where the geographic location is unknown.*
- > *Clock is believed to be inaccurate due to length of time since the last successful synchronisation.*

When the Accurate time feature is enabled, two clocks are displayed when you travel away from either:

- Your home country
- Your home location time zone

Your phone handles the location using the mobile carrier code of the current network to obtain the current time, plus if necessary, access to an online service to obtain greater accuracy.

Both the digital and analogue clocks display the home time in digital format within the current clock zone. On returning to the home location, the clock will switch back to the single clock only showing a single current time.

For information about activating Accurate Time, see "Time Management" on page 38.

Setting the time and date

If Accurate time is not available or the **Single fixed clock** option is enabled, then time and date can be set up from the stand-by display, select **Menu » Settings » Date and time » Date & time settings**.

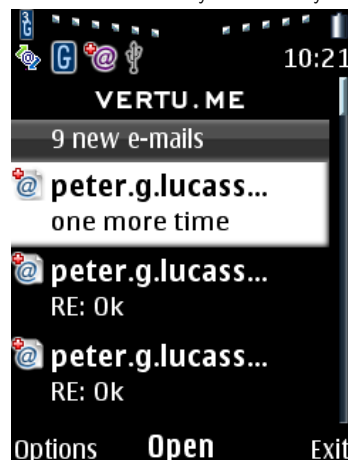


If the battery is removed from your Vertu phone for longer than an hour, you may need to reset the time and date if Accurate Time is not active.

Vertu.Me



Vertu.Me is an exclusive e-mail account which enables you to synchronise the e-mails on your Signature phone with your Vertu.Me email system, so that you can keep your e-mails on the Vertu.Me server in sync with the information you hold on your phone.



Vertu.Me offers an exclusive e-mail and Personal Information Management (PIM) service to Vertu customers.

Your Vertu.Me email address is set up automatically after registration giving you a personalised exclusive email address, username@Vertu.Me. This email can be accessed directly from your Signature phone or from the web interface using a browser and via your e-mail client on a PC or a Mac.

Vertu.Me is accessed via the right NAVIGATION key, Or from the stand-by display select **Menu » Messages » Vertu.Me**.

To synchronise your e-mails, from your Vertu.Me mailbox, select **Options » Synchronise**, when synchronisation takes place both ways.

To connect your Vertu.Me email to the web, from your Vertu.Me mailbox, select **Options » Connect**.

Access to your Vertu.Me E-mail, Calendar and Contacts from a web browser is provided either through the portal at www.Vertu.Me or directly through the url <http://mail.Vertu.Me>.

Your personal Calendar and Contacts are synchronized automatically using Server Sync through Vertu.Me. Refer to "Vertu.Me synchronisation" on page 42.

VERTU

City Brief



Vertu City Brief is a series of indispensable, independent, uniquely sourced and highly curated guides to 200 key cities around the world, in 8 languages, delivered directly to Signature 2011, Constellation Ayxta, Ascent and Constellation Quest handsets.

Updated regularly, the relevant brief appears on your phone automatically when you arrive in that destination.

Vertu City Brief is available in English, Russian, Mandarin, Simplified Chinese, Arabic, Italian, German, French and Japanese.

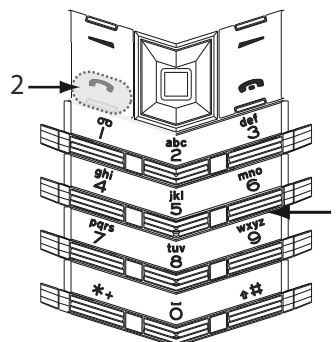
With the home page set up using the Services option, City Brief is accessed via the left NAVIGATION key, Or from the stand-by display select **Menu » Vertu Services » Vertu City Brief**.



Making a call



Check that you have a good signal and the battery is charged.



Use the NUMBER keys (1) to enter the telephone number you want to call.

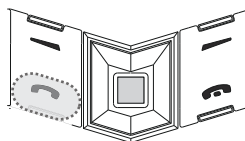
Press the SEND key (2) to begin your call.



When calling international numbers, press the * + key twice to display a + sign.

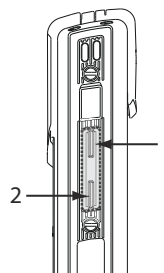
Answering a call

When you receive an incoming call, a ringing tone is played and a call message is displayed. Your Vertu phone will also vibrate if you have set a vibrating alert.



Press the SEND key to answer an incoming call or press the CENTRE SELECT key when you see **Answer** on the screen.

Adjusting listening volume



To change the earpiece volume while you are in a call, press the side volume keys.

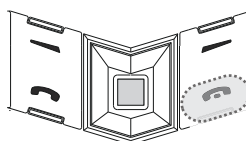
To increase the volume press key (1).

To decrease the volume press key (2).



While in a call, you can use the speaker phone for a hands-free call. Use the SELECTION keys to press **Loudsp.** to switch to speaker phone.

Ending or rejecting calls



Press the END key to end a call or reject an incoming call.

VERTU

Sending a text message

- > Using the **NAVIGATION** key and the **CENTRE SELECT** key go to:

Menu » Messages » Create message

- > Enter the recipient's number.
- > Scroll to the message field.
- > Enter the message.
- > Press the **CENTRE SELECT** key to send the message.



While composing a message:

*Press the * key to show symbols*

Press and hold the # key to change language

Press the # key to toggle between upper and lower case.

Making an emergency call



Your Vertu phone, like any wireless phone, operates using radio signals, wireless and landline networks as well as user-programmed functions. Because of this, connections in all conditions cannot be guaranteed. Therefore, you should never rely solely upon any wireless phone for essential communications, for example medical emergencies.

- > If the phone is not on, switch it on. Some networks require that a valid SIM card is properly inserted in the phone.
- > Press the **END** key as many times as necessary to return to the stand-by display.
- > Enter the emergency number, for example 000, 08, 110, 112, 118, 119, 911, *911, 999, *999 or other official emergency number.
- > Press the **SEND** key.



Emergency numbers vary by location and those listed above may not be supported by your current network.

If certain features are in use, you may first need to turn those features off before you can make an emergency call. For more information consult your local service provider.

When making an emergency call, remember to give all the necessary information as accurately as possible.

Remember that your phone may be the only means of communication at the scene of an accident – do not end the call until given permission to do so.

Protecting your Vertu phone



*Enter *#06# from the stand-by display to find the IMEI serial number. Make a note of your IMEI serial number and keep it in a safe place.*

Locking the keypad

You can lock the keypad on your Vertu phone to prevent accidentally dialling any numbers.

From the stand-by display, press **Menu** followed by the **SPECIAL FUNCTION * * key** (at the bottom left of the keypad) within two seconds. A confirmation message is displayed.

When the keypad is locked, a key icon appears below the signal strength indicator.



You can still make calls to the emergency numbers when the keypad is locked.

When you receive an incoming call the keypad lock is automatically suspended. When the call is ended, the keypad returns to the locked state.

Unlocking the keypad

Press **Unlock** followed by the **SPECIAL FUNCTION * * key** within two seconds. A confirmation message is displayed.

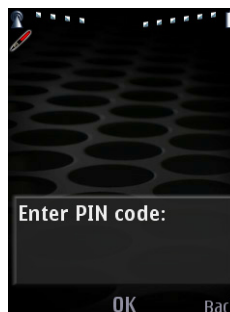
Setting a PIN code

We recommend that you use a PIN code to prevent unauthorised use of your Vertu phone and SIM card.

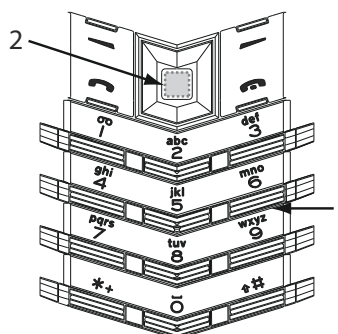
- > Using the **NAVIGATION** key and the **CENTRE SELECT** key go to:

Menu » Settings » Security » PIN code request

- > Select **On**



If you have set a PIN code, the next time you switch on your Vertu phone you will see this screen asking you to enter your PIN code.



Use the **NUMBER** keys to enter your PIN code (1).

Press **OK** (2).

VERTU

The main menu

The main menu displays all the top level menu categories, from which you can access all the functions of your Vertu phone.



The **NAVIGATION** key is pre-programmed with some popular menu options. When your Vertu phone leaves our workshop the options are:

Vertu Services home screen:

Up - Lock keypad

Down - Names

Left - City Brief

Right - Vertu.Me

Classic home screen:

Up - Lock keypad

Down - Names

Left - Create message

Right - Bluetooth on/off

To change these to your favourite menu options go to

Menu » Settings » My shortcuts » Navigation key



To change the left or right SELECTION key, go to

Menu » Settings » My shortcuts » Left selection key or Right selection key

Opening the menu

From the stand-by display, press the **CENTRE SELECT** key to open the **Menu** and display the main categories. Use the **NAVIGATION** key to move through the menus.

Navigating through the menus

When navigating through the menus, press **Back** to return to the previous menu without saving changes. Press **Exit** to return to the stand-by display from the top-level menu.

Press the **END** key to return to the stand-by display from any menu without saving changes.

You can also use also voice commands to activate menu functions on your Vertu phone. Please see "Voice dialling" on page 14 for more information.

Changing how the menu is displayed

- > Go to:
Menu » Options » Main menu view
- > Select one of the following options:
 - > **List** to display the main menu icons one at a time.
 - > **Grid** to display all the main menu icons on one screen. You can move the icons around the grid to have the options you use the most in your favourite positions.
 - > **Tab** to display the main menu icons along the top of the screen and the menu options below.

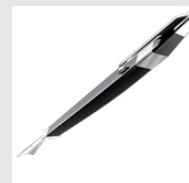
Messages

The **Messages** menu enables you to write, send, receive and read messages.

Your Vertu phone supports:

- > text messages
- > multimedia messages
- > flash messages
- > voice messages
- > e-mail messages
- > instant messages.

An interesting feature in this menu is **Delivery reports** that let you know if messages have been delivered.



- > **Create message**
- > **Inbox**
- > **E-mail**
- > **Drafts**
- > **Outbox**
- > **Sent items**
- > **Saved items**
- > **Delivery reports**
- > **Voice messages**
- > **Info messages**
- > **WV chat**
- > **Serv. commands**
- > **Delete messages**
- > **Message settings**

Contacts

The **Contacts** menu enables you to add and delete contact numbers, select whether to store them on the phone or SIM memory, and set up speed dialling.



- > **Names**
- > **Add new contact**
- > **Settings**
- > **Groups**
- > **Speed dials**
- > **My numbers**
- > **Del. all contacts**
- > **Move contacts**
- > **Copy contacts**

VERTU

Call history

The **Call history** menu enables you to view information about voice and data calls that you have made, received and missed.

You can also view information about messages received and sent, and the amount of data received and sent while web browsing.



- > **All calls**
- > **Missed calls**
- > **Received calls**
- > **Dialled numbers**
- > **Msg. recipients**
- > **Clear log lists**
- > **Voice call durat.**
- > **Data counter**
- > **Data timer**
- > **Message log**
- > **Sync log**

Settings

The **Settings** menu enables you to change the way your Vertu phone is configured.

This covers a wide range of features from setting the clock, to ringing tones and configuring shortcut settings.

We recommend that you protect your Vertu phone and SIM card from unauthorised use by protecting them with passwords using the **Security** option.



- > **Date and time**
- > **Profiles**
- > **Themes**
- > **Tones**
- > **Display**
- > **My shortcuts**
- > **Connectivity**
- > **Call**
- > **Phone**
- > **Enhancements**
- > **Configuration**
- > **Security**
- > **Workshop reset**
- > **Sync and backup**
- > **Setup wizard**
- > **Location service**

Additions

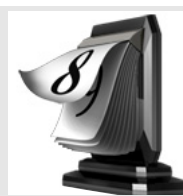
The **Additions** menu contains preloaded games, calculator and the voice recorder. Music and graphics files can also be stored here.



- > **Gallery**
- > **Games**
- > **Calculator**
- > **Music player**
- > **Voice recorder**
- > **Notes**

Calendar

The **Calendar** menu enables you to view your calendar, make notes, set reminders for forthcoming events or dates, and create a to-do list.



Alarm clock

The **Alarm clock** menu gives you quick access to setting an alarm. Press the **Options** key to access **Snooze** and **Repeat** information.



Web

The **Web** menu enables you to access the internet and set a personal home page.

Web configuration settings can be found in the **Settings** » **Configuration** menu.



- > **Vertu mobile**
- > **Home**
- > **Bookmarks**
- > **Go to address**
- > **Last web addr.**
- > **Web settings**
- > **Clear the cache**

Vertu Services

Vertu Services contains software and services available only to Vertu owners:

Vertu Select delivers original articles selected to inspire, inform and entertain based on your region, preferences and passions.

Vertu Fortress provides a secure back-up for your data.

Vertu Concierge provides an alternative way of calling the Vertu Concierge service.

Travel contains real-time information on flight, weather and exchange rates.

Vertu City Brief contains guides covering many cities in eight languages which provides helpful advice and suggestions.



- > **Vertu Select**
- > **Vertu Fortress**
- > **Vertu Concierge**
- > **Travel**
- > **Vertu City Brief**

Personalising your Vertu phone

Using Go to shortcuts

You can set up the **Go to** menu so that it automatically customises itself to your needs.

There are two ways to use the **Go to** shortcuts in your Vertu phone.

- > **Auto sorting on** dynamically displays the menu presenting the five most frequently used and the two last used functions
- > **Auto sorting off** allows you to pick and choose which menu options you want to see on the **Go to** list.

To turn on automatic sorting press **Go to » Options » Auto sorting on**

To turn on manual sorting press **Go to » Options » Auto sorting off**



*If the **Go to** menu is not displayed, select*

Menu » Settings » My shortcuts » Left selection key and select **Go to**.

Creating manual Go to shortcuts

To customise the options available on the **Go to** list, display the list as above and select **Options » Select options**. Pick the options that you want to display on the **Go to** list.

You can also set up the **NAVIGATION** key to access shortcuts. On the idle screen press and hold one of the **SCROLL** keys and select an option to associate with the key.

Using the Go to menu

To use the **Go to** shortcuts, from the stand-by display press the **Go to SELECTION** key.

Use the **NAVIGATION** key and the **CENTRE SELECT** key to select the desired shortcut.

Some of the most useful **Go to** shortcuts are:

- > *Toggle Bluetooth on and off*
- > *Operator select (to select a network operator with a GPRS roaming agreement with your home network operator).*

Changing backgrounds

Your Vertu phone comes with a number of images to use as display backgrounds.

Changing the background

- > Select **Menu » Settings » Themes or use the Go to** shortcut.
- > Select a background from those available.
- > Select **Apply** to change the background.

Changing profiles

Your Vertu phone has several different profiles that enable you to change the ringing tone, ringing volume and vibrating alert all at once. Profiles can be timed, for example you can set the **Silent** profile while you attend a meeting and, if you have set it, the **General** profile will resume after the meeting.

Flight mode

Flight mode allows you to deactivate all radio frequency functions but still have access to offline games, the calendar and phone numbers.

- > Select **Menu » Settings » Profiles » Flight**

Use flight mode in radio sensitive environments, for example on board aircraft or in hospitals.



*To make an emergency call in flight mode, make the call as normal and answer **Yes** when asked **Exit flight profile?***

To deactivate flight mode, select any other profile.



*To change profiles quickly, briefly press the **POWER** key.*

*Press and hold the **#** key to toggle between **Silent** and **General** profiles.*

Changing ringing tones

Your Vertu phone comes with various special ringing tones. You can also download ringing tones in AAC, MP3 and MIDI formats.

Changing the ringing tone

- > Select **Menu » Settings » Tones or use the Go to** shortcut.
- > Scroll slowly through the ringing tones list. When you hear a ringing tone that you would like to use, press **Select**.

Setting an alarm

Your Vertu phone has a useful alarm clock function.

- > Select **Menu » Alarm clock or use the Go to** shortcut.

Enter the time on the screen, and press the **Options SELECTION** key to set snooze and repeat features.

When there is an alarm set, the alarm clock icon is displayed on the stand-by display.

If the clock is displayed in **Analogue** mode, a red alarm hand is displayed on the face of the clock in stand-by mode. The alarm hand shows at the time that the alarm is set for.

To turn the alarm clock off, press **Menu » Alarm clock » Options » Alarm: » Off**.



If the phone is switched off, it will switch itself on at the alarm time. Please remember this if you are in a restricted area.

VERTU

Using Bluetooth

Bluetooth technology enables you to easily share images and video clips, and take advantage of wireless connectivity by using a compatible Bluetooth headset. You first need to pair with the other device which should be within 10m of your Vertu phone.

The full Bluetooth menu is located in **Menu » Settings » Connectivity**.

Using the options on these menus you can turn Bluetooth on, make your phone discoverable, search for active devices and pair your phone with other Bluetooth devices, for example your Bluetooth headset.



Switch off Bluetooth if it's not being used, to maximise battery performance.

Use the **Go to** menu to toggle Bluetooth on and off.

Adding a new contact

To quickly add a new contact, enter the number on the stand-by display and then press the **CENTRE SELECT** key. Enter the contact name and **Save** the contact.

Voice dialling

Your Vertu phone can access menu options and dial contacts using voice commands.

- > Press and hold the right **SELECTION** key on the stand-by display or press and hold the down volume key.
- > Say clearly the name of the contact or menu option you want to access.
- > Select the option you require from the displayed list. If you don't make a selection within 5 seconds, the option at the top of the list will be automatically selected.

Browsing the Web



Only download and use files from sources that offer adequate security and protection against harmful software.

You can access mobile Internet services with the Web browser on your Vertu phone. You can view pages that use wireless markup language (WML) or extensible hypertext markup language (XHTML).

Depending on which service provider you use, your Vertu phone might already have Internet settings installed so you might be able to browse the Internet straight away. If you cannot connect to the Internet, please contact Vertu Concierge or visit www.vertu.com and download your settings.

To open the Web browser select **Menu » Web** or press and hold the 0 key.

Using the music player

Your Vertu phone includes a music player for listening to music tracks, recordings or other MP3, MP4, AAC, eAAC+ or Windows Media Player sound files that you have transferred to your Vertu phone. Music files can be received via Bluetooth, MMS or using the File Manager in Vertu PC Suite.

To open the music player scroll to **Menu » Additions » Music player**.

Music files that you transfer to your Vertu phone are automatically added to the list of songs in the music player.



Press and hold the **END** key to stop the music player.

CD-ROM

The Vertu CD-ROM works on a compatible computer with a CD-ROM drive, with Microsoft® Windows® 2000, Microsoft® Windows® XP or Microsoft® Vista® installed. You need at least 250 MB of free disk space and administrator rights to the PC.

Connecting to a computer

To connect your Vertu phone to a computer you need either a Vertu USB data cable or Bluetooth wireless technology equipment and software.

Vertu PC Suite

Vertu PC Suite includes the following applications to extend the functionality of your Vertu phone:

- > Backup
- > Synchronise
- > Connect to the Internet
- > Install applications
- > File manager
- > Contacts
- > Messages
- > Image store
- > Multimedia player

Installing Vertu PC Suite

- > Insert your Vertu CD-ROM into the PC's CD-ROM drive.
- > Click on the install now button.
- > Follow the on-screen instructions to complete the installation.

Viewing the electronic Reference Manual

- > Start the CD-ROM as described above.
- > Click on the Launch PDF button.

Setting up MMS, browsing and e-mail

- > Start the CD-ROM as described above.
- > Click on the order settings button.
- > Your computer must be connected to the Internet to set up MMS, browsing and e-mail.

VERTU

Registering your Vertu phone

Normally registration is done when the Setup wizard is run.

However, you can register your Vertu phone in any of the following ways:

- > Select Register from the **Go to** menu on the stand-by display (only when you have a GPRS or internet connection).
- > Call Vertu Concierge using the dedicated key on your phone.
- > Use the option on the Vertu CD-ROM.
- > Visit <https://www.vertu.me>.



If registering your Vertu phone using a computer, the computer needs to be connected to the Internet.



If registering your Vertu phone using a computer, you will need to know the serial number and International Mobile Equipment Identity (IMEI) of your Vertu phone.

The serial number is engraved on the back of your Vertu phone.

The IMEI can be viewed by entering *#06# from the Home screen.

To register your Vertu phone via the Vertu CD-ROM:

1. Insert the CD-ROM into your computer's CD-ROM drive.
2. Select your preferred language.
3. Click the Register Phone button. The Vertu registration web page will automatically open.
4. Fill in the required information on the web page.

Care and maintenance

Your Vertu products have been crafted from some of the finest materials and care should be taken to keep them in good condition.



Damage caused to your Vertu phone by failing to observe these care instructions is not covered by the warranty.

Ceramics and sapphire

Ceramics and sapphire are very hard materials but are also brittle and can be scratched by harder materials or objects. They can also be damaged if dropped.

Avoid the following:

- > Contact with other hard materials such as diamond jewellery, nail files, abrasives, and mineral crystals.
- > Dropping or knocking the product on hard surfaces.
- > Repeated rubbing against hard surfaces.

Leather

All Vertu leather products are made by expert craftsmen. Each leather hide is unique and has natural markings which should be considered part of the individuality of fine leather. All leather can be damaged and should be treated with care.

Avoid the following:

- > Exposure to water and high humidity.
- > Dropping, rubbing or knocking on hard surfaces.
- > Exposure to extreme temperatures.
- > Contact with oily substances, make-up and solvents.

Metal

Vertu metals are finished to a high standard and care needs to be taken to maintain their appearance.

Avoid the following:

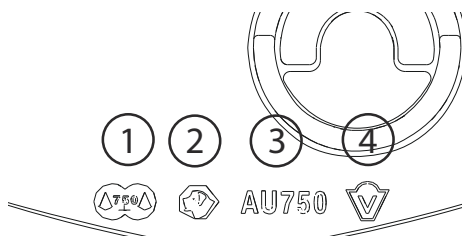
- > Contact with chemicals such as solvents, alkaline and acid solutions, cola-based drinks and exposure to salt water. Wipe with a clean, soft cloth as soon as possible if contact occurs.
- > Contact with sharp objects.
- > Dropping or knocking against hard surfaces.
- > Metal polishes.

VERTU

Hallmarks

If you have a gold or platinum Vertu phone, hallmarks are stamped as shown below to authenticate the precious metals used. Each precious metal is tested to ensure that the purity of the alloy conforms to the exacting standards of the European Convention Mark under the jurisdiction of the Swiss Assay Office.

The hallmark is made up of several stamps, which each have an individual meaning. It is located on the backplate underneath the serial number.



Specifications

Volume	65 cc	
Weight	Stainless steel	166 g
	Yellow Gold	218 g
	Platinum	238 g
Length	130 mm	
Width	42 mm	
Thickness	13 mm	

BL-5CV Li-ion battery

Talk time	GSM up to 5.5 hours
Stand-by time	Up to 300 hours



1. Common control mark denoting the European Convention Mark – 750 (18 carat gold) or 950 (platinum) in scales.



2. St. Bernard dog's head – Swiss Assay Office mark.

AU750

3. The fineness (purity) mark – AU 750 (18 carat gold) or PT950 (platinum).



4. Sponsor's mark denoting the Vertu brand.

Diamonds

Diamonds are extremely hard and durable, but can be damaged if handled inappropriately. For example, they can be broken by a sharp impact on a hard surface and the settings could be damaged by dropping the phone onto a hard surface, causing the diamond to become loose or fall out.

Care should also be taken with contact with other jewellery such as diamond rings and diamond earrings as they can cause abrasion and chipping of the stone or the setting. Reasonable care should be taken not to catch the setting with threads, particularly synthetic threads which may bend the setting and loosen the stones.

We recommend that your Vertu phone is kept in the Vertu leather case when not being used, particularly when placed in hand bags and other luggage.

If the diamonds appear to become dull from use, the product can be lightly polished using the Vertu microfibre polishing cloth.

2 SECURITY

Your Vertu phone has a number of security features that help to prevent:

- > *Unauthorised use of your Vertu phone when your SIM card is inserted*
- > *Unauthorised use of your Vertu phone if a different SIM card is inserted*
- > *Unauthorised use of your SIM card in another phone.*

PIN code

The (4 to 8 digit) PIN (Personal Identification Number) code helps protect your SIM card against unauthorised use. When the PIN code function is active, you need to key in the PIN code each time you switch on your Vertu phone. If you used your SIM card in another phone previously, the code will be the same.

The default setting for the PIN code function is defined by your service provider. Some service providers do not allow you to disable the PIN code request.



The SIM card becomes blocked if you key in an incorrect PIN code three times in succession. You will need to contact your service provider for the PUK (PIN Unblocking) code.

Key in the PUK code if you have blocked your SIM card.

PUK codes cannot be changed. If you key in an incorrect PUK code 10 times in succession your SIM card becomes permanently blocked.

To turn the PIN code on and off:

1. From the stand-by display, press **Menu » Settings » Security » PIN code request**.
2. Press **Select** to change the setting.
3. Scroll to **On** to enable the PIN code request or **Off** to disable it and then press **Select**.
4. Key in your PIN code and then press **OK**.
A confirmation message is displayed.

To change your PIN code:

1. From the stand-by display, press **Menu » Settings » Security » Access codes » Change PIN code**.
2. When prompted, enter your current PIN code and then press **OK**.
3. When prompted, enter your new PIN code and then press **OK**.
4. Enter your new PIN code again to verify and then press **OK**.
A confirmation message is displayed.

PIN2 code

The PIN2 code is used to protect the advanced user functions of your SIM card for example fixed dialling lists. Your PIN2 code must not be the same as your PIN code.

To change your PIN2 code:

1. From the stand-by display, press **Menu » Settings » Security » Access codes » Change PIN2 code**.
2. When prompted, enter your current PIN2 code and then press **OK**.
3. When prompted, enter your new PIN2 code and then press **OK**.
4. Enter your new PIN2 code again to verify and then press **OK**.

A confirmation message is displayed.

The PIN2 protected features of your SIM card will become blocked if you incorrectly enter your PIN2 code a number of times, normally after three consecutive attempts. You will need to contact your service provider to obtain a PIN2 Unblock (PUK2) code to unblock your PIN2 and restore your SIM card's full functionality.

Security code

The security code helps protect your Vertu phone from unauthorised use. The first time you access this feature you will need to choose a code (between 5 - 10 digits long). You will need to key in this security code before you can do the following:

- > *Switch on the phone when a new SIM card is inserted (if you have set up security)*
- > *Erase all entries in your contacts list*
- > *Restore the default settings*
- > *Change the security level.*



If you key in an incorrect security code five times in succession, your Vertu phone will not accept the correct security code for the next five minutes. Within that five minutes, your Vertu phone will show an error when you attempt to key in the security code, even if it is correct.

To change the security code:

1. From the stand-by display, press **Menu » Settings » Security » Access codes » Change security code**.
2. When prompted, enter your current security code and then press **OK**.
3. When prompted, enter your new security code and then press **OK**.
4. Enter your new security code again to verify and then press **OK**.
A confirmation message is displayed.

Make a careful note of your new security code, ensure you keep it secret and in a safe place.

VERTU

Security level

The security level function allows you to specify when you are required to key in the security code. The security code helps protect your Vertu phone against unauthorised use.

To change the security level:

1. From the stand-by display, press **Menu » Settings » Security » Security level**.
2. Scroll to one of the following three options and then press **Select**:
 Press **None** to disable the security code and allow any SIM to be used in the phone
 Press **Memory** to allow any SIM to be used in the phone but you need to enter the security code when you try to access your Vertu phone's directory after a different SIM card has been inserted
 Press **Phone** to require that the security code is entered when you switch on the phone after another SIM card has been inserted
3. When prompted, enter your security code and then press **OK**.
 If you change the security level, the numbers in your recent calls list are erased.

Security module

When available on your SIM, the security module improves security services for applications requiring a browser connection, and allows you to use a digital signature. The security module may contain certificates as well as private and public keys. The certificates are saved in the security module by the service provider. The security module is not supplied by Vertu.

To view or change the security module settings:

From the stand-by display, press **Menu » Settings » Security » Security module sett.**

Call barring

Call barring is a network service that allows you to restrict the incoming and outgoing calls that you make and receive. Contact your service provider for more information about using this function.

When outgoing calls are barred, calls may be possible to the emergency number programmed into your Vertu phone.

You need to key in the barring password to set up the call barring service. To obtain the barring password, contact your service provider.

To enable or disable call barring:

1. From the stand-by display, press **Menu » Settings » Security » Call barring service**.
2. Scroll to one of the following five options and then press **Select**:
 Press **Outgoing calls** to bar all outgoing calls
 Press **International calls** to bar all international calls
 Press **Intl. except to home** to bar all international calls with the exception of calls made to your home country (defined by your service provider) if abroad
 Press **Incoming calls** to bar all incoming calls
 Press **Incoming if abroad** to bar all incoming calls when you are abroad
3. Scroll to **Activate** to enable the bar, **Cancel** to disable it, or **Check status** to view the status of the current bar and then press **Select**.
4. If you are enabling or disabling a bar, you must enter your barring password when prompted and then press **OK**.
 A confirmation message is displayed.

To cancel all call barrings:

1. From the **Call barring service** menu, press **Cancel all barrings** to cancel all call bars.
2. Enter your barring password when prompted and then press **OK**.

Barring password

The call barring password is used to limit access to the call barring service. To obtain the barring password, contact your service provider.

To change your barring password:

1. From the stand-by display, press **Menu » Settings » Security » Access codes » Change barring pass.**
2. When prompted, enter your current barring password and then press **OK**.
3. When prompted, enter your new barring password and then press **OK**.
4. Enter your new barring password again to verify and then press **OK**. A confirmation message is displayed.

Fixed dialling

Fixed dialling is a network service that allows you to restrict outgoing calls to only the numbers you specify in a fixed dialling list. Contact your service provider for more information about using this function.

When fixed dialling is enabled, it may still be possible to call the emergency number programmed into your Vertu phone, for example 000, 08, 110, 112, 118, 119, 911, *911, 999, *999 or other official emergency number.



You will need to key in the PIN2 code to save and edit numbers in the fixed dialling list or to call numbers not in the list. The PIN2 code is supplied with some SIM cards. For more information contact your service provider.

VERTU

To enable or disable fixed dialling:

1. From the stand-by display, press **Menu » Settings » Security » Fixed dialling**.
2. Scroll to **On** to restrict calls to the fixed dialling list, **Off** to disable fixed dialling, or **Number list** to view the numbers in your fixed dialling list and then press **Select**.
If you are using fixed dialling for the first time, it is recommended that you select Number list to add numbers to your list before enabling fixed dialling. You will receive two warning messages.
3. When prompted, enter your PIN2 code and then press **OK**.
4. Either enter your number manually and then press **OK**, or press **Search** to select a name from your contacts list and then press **Select**.
5. If you entered a number manually, enter a name for the number and then press **OK**.
6. A confirmation message is displayed and you are returned to the fixed dialling list. Add additional numbers to your list in the same way. Press **Back** when you have completed your list.
7. Scroll to **On** to enable fixed dialling.



When fixed dialling is on, GPRS connections are not possible except while sending text messages over a GPRS connection. In this case, the recipient's phone number and the message centre number must be included in the fixed dialling list. You cannot access SIM memory manually (view or copy numbers on the SIM card) while fixed dialling is active.

To modify your fixed dialling list:

1. From the stand-by display, press **Menu » Settings » Security » Fixed dialling » Number list**.
2. When prompted, enter your PIN2 code and then press **OK**.
3. Scroll to one of the following options and then press **Select**:
Press **View number** to view the number for an entry
Press **Add** to add a number to your fixed dialling list
Press **Edit** to edit the selected entry
Press **Delete** to delete the selected entry
Press **Delete all** to delete entries in the list.

Closed user group

The closed user group is a network service that allows you to specify a group of people you can call and who can call you. Contact your service provider for more information about using this function.

When outgoing calls are limited to closed user groups, calls may be possible to the emergency number programmed into your Vertu phone, for example 000, 08, 110, 112, 118, 119, 911, *911, 999, *999 or other official emergency number.

To enable or disable a closed user group:

1. From the stand-by display, press **Menu » Settings » Security » Closed user group**.
2. Scroll to **On** to enable the closed user group, **Off** to disable it, or **Default** to specify that the people included in the group, which you have agreed with the service provider, can call you and you can call them and then press **Select**.
3. If you are enabling a closed user group, enter the group number when prompted and then press **OK**. A confirmation message is displayed.

Authority certificates and user certificates

For information about **Authority certificates** and **User certificates** downloaded onto your Vertu phone. See "WEB" on page 57.

VERTU

3 MESSAGES

Your Vertu phone provides extensive messaging functionality to allow you to send and receive messages of many types, where supported by your service provider.



Because delivery of messages can fail, you should not rely upon them for essential communications.

Text messages

Text messages (also known as SMS) are basic messages containing only text, of up to 160 characters. Your Vertu phone supports the sending of text messages beyond the limit for a single message. Longer messages are sent as two or more messages. Your service provider may charge accordingly. This is the most common form of messaging, is compatible with the widest range of phones and is available in most countries.

Multimedia messages

Multimedia messages allow pictures, videos and audio files to be sent in addition to text in the body of the message. MMS is supported by most modern phones however the recipient must have a correctly configured phone to be able to receive the message.

Flash Messages

Flash messages are text messages that are instantly displayed upon receipt. Flash messages are not automatically saved.

Audio messages

You can use the Multimedia message service to create and send an audio message. Multimedia messaging service must be activated before you can use audio messages.

E-mail messages

E-mail messages can be sent to and received from other devices, for example PCs. E-mail messages can be received by some mobile phones, provided the recipient has a correctly configured phone.

During the registration process of your phone, your Vertu.Me e-mail account is set up. Refer to "Setting up your Vertu.Me e-mail account" on page 6.

WV chat

With Wireless Village chat messaging (WV chat) you can send short, simple text messages to online users. You have to subscribe to a service and register with the IM service you want to use. You should check the availability of these services, pricing, and instructions with your service provider.

Voice messages



Voice messages are stored by your network operator. If your network operator provides a voice message service, people calling you may have the option to record a message for you if your Vertu phone is turned off, or if you do not answer your phone.

Info messages


You can receive messages on various topics from your service provider (network service). For more information, contact your service provider.

Text entry


You can enter text using traditional or predictive text input. When using traditional text input, press the NUMBER keys repeatedly until the desired character appears. In predictive text input you can enter a letter with a single keypress.

When you enter text, the  icon will appear at the top of the display if predictive text input is turned on (see "Predictive text input" on page 20). If traditional text input is enabled the  icon will be displayed.

One of the following icons will appear next to the text input icon to signify which character case is enabled:

 Indicates upper case is used in editing

 Indicates mixed case is used in editing

 Indicates lower case is used in editing

To scroll through the character case options, press the # key repeatedly.

To change between letter mode and number mode, press and hold the # key and select the appropriate mode.

Traditional text input

Press a NUMBER key, 1 to 9, repeatedly until the desired character appears. Not all characters available under a number key are printed on the key. The characters available depend on the selected writing language. See "Language settings" on page 44.

If the next letter you want is located on the same key as the present one, wait until the cursor appears, or briefly press any of the navigation keys and enter the letter.

The most common punctuation marks and special characters are available under the 1 key. For more characters, press *.

Predictive text input

To turn predictive text on or to revert to traditional text input:

1. With the cursor in the **Text:** field, press **Options**.
2. Select **Prediction options » Prediction**.
3. Select **On** for predictive text or select **Off** to turn predictive text off.



*To quickly set predictive text input to On or Off when writing text, press and hold **Options** or press and hold # and select **Prediction on** or **Prediction off**.*

VERTU

Using predictive text input

Predictive text input allows you to write text quickly using the phone NUMBER keys and a built-in dictionary.

Start writing a word using the NUMBER keys. Although the key has a number of letters associated with it, press each key only once for one letter. The phone displays * or the letter if it separately has a meaning as a word. The entered letters are displayed underlined.

To insert a special character or smiley, press and hold *, or press **Options » Insert symbol » Character** or **Smiley**. Scroll to a character or smiley, and press **Use**.

To accept the suggested word, press the zero NUMBER key to add a space.

If the ? character is displayed after the word, the word you intended to write is not in the dictionary. To add the word to the dictionary, press **Spell**. Complete the word (traditional text input is used), and press **Save**.

To write a compound word, enter the first part of the word, and scroll forward to confirm it. Write the next part of the word, and confirm the word.

Numeric input

Numeric input is the standard method used whenever number entry is required, for example, when dialling a phone number. Press the key with the corresponding number to enter it.

When using a text input feature, for example sending a text message, you can switch to numeric input (for entering telephone numbers for instance) using a single key press:

1. With the cursor in the **Text:** field, press and hold the # key until the menu is displayed.
2. With **Number mode** highlighted, press **Select**.
3. Use the NUMBER keys to enter the numbers you require.
4. Press and hold the # key again to return to the previous text entry mode.



If you only need to enter a single number, press and hold that NUMBER key and the single number will be entered into your message.

Special character input

Most common special characters, for example, punctuation marks, can be inserted by pressing the 1 NUMBER key. Other special characters can be inserted in your text at any time using the special characters input mode:

1. With the cursor in the **Text:** field, press the * key (or press and hold if predictive text input is On) until the special character menu is displayed.
2. Scroll to the required special character and press **Use**.

Special characters take up more space than basic characters and if there are special characters in your message, the indicator may not show the message length correctly. Before the message is sent, the device tells you if the message exceeds the maximum length allowed for one message. You can cancel sending by selecting Cancel or you can save the message in the inbox.

Font size

Your Vertu phone supports different font sizes for viewing your messages. Your font size setting affects both messages being composed and messages received, but does not affect how the recipient views the message.

To change the font size for your messages:

1. From the stand-by display, press **Menu » Messages » Message settings » General settings » Font size**.
2. Scroll to either **Small font**, **Normal font** or **Large font** and then press **Select**.

Groups

If you frequently send messages to a fixed group of recipients, you can define a group to simplify the process.

When you send a message to a group the phone automatically sends the message separately to each recipient in the list. Sending a message using a group will incur charges for each recipient in the list. See "Groups" on page 33.

Undelivered messages

If you send a message and it fails to be delivered, your Vertu phone behaves in different ways depending on the type of message sent.



Some service providers do not allow international sending or receiving of text messages. For more information contact your service provider.

Single recipient messages

If a message you have sent to a single number fails, your screen will display **Message sending failed. Check details**.

1. Press **OK**.
2. The unsent message will appear in your **Outbox**.
3. With the message highlighted, either press **Open** to read the message or press **Options**, scroll to one of the options and then press **Select**:

Retry sending resends the message to the original recipient

Delete removes the message from the Outbox

Send copy sends the message to an alternative number

Edit enables you to modify the message or the recipient's number

Move moves the message into an alternative folder

Use detail makes use of any numbers, e-mail addresses or Web addresses from the current message when creating new messages or contacts

Copy as template saves the message as a template for use when composing future messages

Message details displays message data for example the time and date when sent

New message opens a new message

Mark marks the message for future deletion

Mark all marks all messages for future deletion if the Outbox contains more than one message.

VERTU

Group messages

If a message cannot be sent to one or more of the recipients in a group, a new group will be added to the list with the name **Undelivered**.

To view the undelivered message(s) options:

1. From the stand-by display, press **Menu » Contacts » Groups » Undelivered » Options**.
2. Scroll to one of the options and then press **Select**:
 - Resend to list** resends the message to the recipients on the undelivered list
 - View list** displays the list of recipients to whom the message sending failed
 - Delete list** removes the undelivered list from your Vertu phone
 - View message** displays the failed message.

Message folders

All text and Multimedia messages stored in your Vertu phone are organised in folders. In addition to the default folders, you can create new folders to organise your messages.

To browse your message folders:

1. From the stand-by display, press **Menu » Messages**.
2. Scroll to one of the following folders and then press **Select**:
 - Inbox** - Messages are automatically stored in this folder when they arrive and, by default, after they have been read
 - Drafts** - Contains messages created by you and saved for sending at a later date
 - Outbox** - Messages that you have queued for sending but are yet to be sent are saved in this folder
 - Sent items** - Messages that you have sent are automatically stored in this folder
 - Saved items** - Default location for messages that have been read and saved. This is also where the Templates folder can be found (see below)

To create a new personal folder in **Saved items**:

1. Select **Menu » Messages » Saved items » Options » Add folder**.
2. Use the **NUMBER** keys to enter a name for the new folder.
3. Press **OK**.



Messages can be moved to this and other personal folders on your Vertu phone (see "Reading and replying to text messages" on page 24).

To rename or delete a personal folder:

1. Select **Menu » Messages » Saved items**.
2. Scroll to the personal folder you want to rename or delete.
3. Press **Options**.
4. To rename the folder, scroll to **Rename folder** and then press **Select**.
5. Use the **NUMBER** keys to rename the folder and then press **OK**.
6. To delete the folder press **Delete folder » Yes** to confirm the action.

Erasing multiple text and multimedia messages

You can erase all of the text and Multimedia messages from any of the standard or personal folders, or from all of the folders at once.

To delete multiple messages:

1. From the stand-by display, press **Menu » Messages » Delete messages**.
2. Scroll to one of the options and then press **Select**:
 - By message** enables you to navigate into folders and delete individual messages
 - By folder** enables you to delete all messages in a selected folder
 - All messages** deletes all messages currently stored on the phone. You will be given the opportunity to save unread messages before deleting.
3. Confirm the deletion when prompted. You cannot recover deleted messages.

Text messages

Standard text messages can be up to 160 basic characters in length. Linked messages can be used to create larger messages.

Linked messages

Your Vertu phone can send and receive long text messages (up to 1000 basic characters). Long text messages are automatically split into multiple messages and sent as a series. The series of messages is then linked by a compatible phone when received and displayed as a single SMS message. For this feature to work properly, the receiving phone must also support linked messages.

While you write a message, the number of available characters and the current part number of linked message (for example, 904/1) is shown in the top right corner of the display.

While receiving linked messages, you can start reading the first part before the phone has received the entire message. While viewing the message, you may see *** some text missing *** on the display. This is normal, and the message content will be updated as soon as the missing sequence arrives

Message settings

When you write or reply to a text message, your Vertu phone uses a sending profile that defines how the phone will handle the message sending interaction with your service provider. For most service providers you will not need to modify these settings as the necessary information will be obtained from your SIM card automatically. Depending on your SIM card, you may be able to store more than one set of message profiles.

To edit the message settings:

1. From the stand-by display, press **Menu » Messages » Message settings » Text messages**.
2. Scroll to one of the options and then press **Select**:
 - Delivery reports** requests that the network sends you delivery reports for your messages. These are stored in **Messages » Delivery reports**
 - Message centres** enables you to examine, modify and add the details of the message centre(s), used for sending text messages. You should obtain this number from your service provider
 - Msg. centre in use** enables you to select which message centre should be used by your Vertu phone to send text messages

VERTU

Message validity enables you to define how long the network attempts to send your messages before it gives up

Messages sent via enables you to select the message type as **Text, Paging** or **Fax**. Your service provider may have limited support for different message types

Use packet data determines whether or not GPRS is the preferred SMS bearer (see "Packet data settings" on page 41)

Character support and then select **Full** ensures all characters are sent as viewed or select **Reduced** where characters with marks for example accents may be converted to other characters

Rep. via same centre allows the recipient of your message to send you a reply using your message centre (network service).

Message overwrite


When the message memory is full, your Vertu phone cannot send or receive any new messages. To avoid this, you can set your phone to automatically replace the oldest messages in the Sent items folder when new ones arrive or are sent.

To enable automatic overwrite in Sent items:

1. From the stand-by display, press **Menu » Messages » Message settings » General settings » Save sent messages » Yes**.
2. From the **General settings** menu, press **Overwrite sent items » Allowed**.

Writing and sending text messages



A flashing  icon on the stand-by display indicates that the message memory is full. Before you can receive or send any more text messages you must erase some of your existing text messages or move them to a personal folder.

The **Create message** option allows you to write and send text messages.

To write a new message:

1. From the stand-by display, press **Menu » Messages » Create message**.
2. Use the NUMBER keys to enter the recipient's phone number in the **To:** field.
3. Alternatively, to retrieve a phone number from Contacts select **Add** followed by:
Press **<Favourite>** to define easily available message recipients or groups when sending messages
Press **Recently used** to send a message to a recently used number
Press **Call register** to access contacts from the Call log
Press **Contacts** to send a message to number in your Contacts list
Press **Contact groups** to send a message to multiple recipients saved as a group in your Contacts list. See "Groups" on page 33.



This operation can be repeated to add a number of recipients for the text message.

4. Scroll down and use the NUMBER keys to write the message in the **Text:** field.
5. While composing your message press **Options** to display the following options:
Send sends the message immediately
Insert to add multimedia content

Add recipient to add another contact to the **To, Cc** or **Bcc** fields

Add subject to add **Subject:** line to the message

Clear field deletes the text that has been entered into the message field

Insert contact detail selects a name from your Contacts list and insert it into the message body

Insert symbol displays all the available symbols you can use in the message

Writing language selects one of the alternative languages stored on your Vertu phone to compose your message

Prediction options configures predictive text entry see "Predictive text input" on page 20 for more information about Predictive text

Change msg. type enables you to change the type of message being created to **Message, E-mail message, Flash message** or **Audio message**

Change to multim. to change text message to multimedia message

Save message saves the message in your Saved messages folder

Sending options enables various settings when sending the message:

Message priority can be set to **Normal, High** or **Low**

Delivery report enables you to request a delivery report for this and all other text messages

Save sent message enables you to save a copy of the message in the Sent items folder

Message validity enables you to select the length of time that the network attempts to deliver your message

Message sent via enables you to send the message via **Text, Paging** or **Fax**


Exit editor leaves the text entry environment (you will be asked if you want to save any incomplete messages).


6. To add a file to the text message, scroll down and choose a file type from the icon list at the bottom of the screen. Choose from the following file types:

> Text field	> Template
> Sound clip	> Gallery file
> Calendar note	> Business card
> Image	
7. Select **Insert** to browse to the required file.
8. Select **Insert** to add the file to the message.
9. Once the message is complete, press **Send**.

VERTU



Reading and replying to text messages

When you receive a message, you will receive an information note, and an envelope icon  will appear on the status line. By default there is also an audible message alert.

 *If your Vertu phone memory is full, you may have to delete messages from your Inbox or Outbox before you can send or receive further messages.*

To read a new message as soon as it is received:

1. Press **Show**.
2. To ignore the message and view it later, press **Exit**.

 *If you have unread messages in your Inbox, the  icon will remain on the stand-by display.*

To read a stored message:

1. From the stand-by display, press **Menu » Messages » Inbox**.
2. The most recently received message will be highlighted. Scroll to the message you want to read and press **Open**.

To view the list of available options while reading a message:

1. Press **Options**.
2. Scroll to the required option and then press **Select**:
 - Reply** to reply to the message
 - Reply as** to reply and change the type of message to be sent
 - Delete** removes the message you are viewing from your Vertu phone
 - Call sender** to call the sender of the message
 - Use detail** makes use of any numbers, e-mail addresses or Web addresses from the current message
 - Forward** sends the message to another recipient of your choosing
 - Edit** enables you to edit the message before sending or saving
 - Move** enables you to move the message to another selected folder
 - Copy to Calendar** creates a reminder note in the calendar
 - Copy as template** saves the message as a template for use when composing future messages
 - Message details** displays the sender's name and phone number, the message centre used, and the date and time sent.

To reply to a message being read:


1. With the message open, press **Reply**.
2. Scroll to the type of message you want to send and then press **Select**.
3. The **To:** field displays the sender's number.

Refer to the Text message, Multimedia message, Flash message and Audio message sections of this guide to complete and send your reply.

Multimedia messages

A Multimedia message (MMS) can contain text, sound, video and pictures. Your Vertu phone supports Multimedia messages that are up to 296 KB. If the maximum size is exceeded, the phone may not be able to receive the message. Depending upon your network, you may receive a message that includes an Internet address where you can go to view the Multimedia message. Pictures are scaled to fit the display area of the phone. Your Vertu phone has a Multimedia message viewer for playing messages and an Inbox for storing all saved messages.

Copyright protections may prevent some images, ringing tones, and other content from being copied, modified, transferred, or forwarded.

 *Multimedia messaging functions can only be used if supported by your service provider. For availability and a subscription to the Multimedia messaging service, contact your service provider. Only compatible devices can receive and display Multimedia messages.*

Multimedia messaging supports a wide range of standards for each of the following formats:

- > *Picture: JPEG, GIF, animated GIF, WBMP, BMP, and PNG*
- > *Sound: SP-MIDI, AMR audio, MP3 and AAC*
- > *Video: clips in H.263 format with SubQCIF image size and AMR audio*

If a received message contains unsupported attachments, these may be replaced with a message.

You cannot receive Multimedia messages if you have a call in progress, a Java application running, or an active browsing session. If you are sent a Multimedia message while you are on a call of any type, receipt will be delayed until your Vertu phone becomes free.

MMS settings

Depending on which service provider you use, your Vertu phone might already have MMS settings installed. If you encounter any difficulties, please contact Vertu Concierge or visit www.vertu.com and download your settings.

MMS configuration settings

To update your configuration settings:

1. From the stand-by display, press **Menu » Messages » Message settings » Multimedia messages » Configuration sett. » Configuration**.
2. Select one of the available options.

Message settings

In addition to your connection settings, there are several other settings that control your Multimedia messaging functions. To modify these settings:

1. From the stand-by display, press **Menu » Messages » Message settings » Multimedia messages**.
2. Scroll to one of the options and then press **Select**:

Delivery reports will inform you of message delivery

MMS creation mode If you select Guided, the device informs you if you try to send a message that may not be supported by the recipient. If you select Restricted, the device prevents you from sending messages that may not be supported. To include content in your messages without notifications, select Free.

Image size in MMS enables you to define the maximum size of an image used in an MMS. Your Vertu phone automatically resizes the image if necessary

Default slide timing will enable you to set the default time in mm:ss format that each slide (equivalent of a page) in an MMS is displayed on the screen

Allow MMS receiptn. enables you to allow or disallow reception of Multimedia messages, or allow only messages in your home network.

VERTU

Incoming MMS msgs. enables you to determine whether incoming Multimedia messages are retrieved or rejected automatically or if you retrieve them manually

Allow adverts enables or disables the automatic reception of Multimedia advertisements

Configuration sett. will enable you to define the MMS connection parameters. See "MMS configuration settings" on page 24.

Writing and sending multimedia messages

You can create Multimedia messages with one or more attachments up to the maximum 296kb message size. When creating your Multimedia message, the current remaining space is shown on the top line just under the status line.

Unlike text messages, Multimedia messages can be formed of multiple pages, known as slides. You can control how long each slide is displayed. Each slide can contain up to 1000 basic text characters (less for complex languages) one image, and one sound clip.

To write and send a Multimedia message:

1. From the stand-by display, press **Menu » Messages » Create message.**
2. Press **Options » Change to multim..**
3. Scroll to one of the multimedia options at the bottom of the message screen and then press **Select:**
 - Text field** creates another slide for you to add text in your message
 - Text template** opens the template folder. Choose from a list of pre-set messages.
 - Image, Sound clip** or **Video clip** enables you to browse your Multimedia files and insert a file into your message
 - Business card** enables you to browse your Contacts list and insert contact details into your message
 - Calendar note** enables you to browse your calendar and attach a previously created note from your calendar into your message
 - Theme, Streaming link** and **Gallery file** inserts stored files into your message.
4. Press **Options** while creating a Multimedia message to display the following options:
 - Send** enables you to send the completed message (see above)
 - Preview** displays the message to examine how it will appear to the recipient. Press **Play** to run the attached files
 - Insert** enables you to insert a file as an attachment
 - Add recipient** to add another person to the recipient list
 - Add subject** to add a subject field to the message
 - Remove** removes files and slides from your message

Slide options

Slide timing enables you to set the time interval between the slides. Use the **NUMBER** keys to enter the time interval and then press **OK**

Place text last makes sure that the text in your message appears after your Multimedia attachments

Change msg. type enables you to change the type of message being created

Save message saves the message in your Saved messages folder

Sending options enables various settings when sending the message:

Message priority can be set to **Normal, High** or **Low**

Delivery report enables you to request a delivery report for this and all other text messages

Save sent message enables you to save a copy of the message in the Sent items folder

Message validity enables you to select the length of time that the network attempts to deliver your message

Message sent via enables you to send the message via **Text, Paging** or **Fax**

Exit editor leaves the text entry environment (you will be asked if you want to save any incomplete message)

5. Use the **NUMBER** keys to enter the recipient's phone number in the **To:** field.
6. Alternatively, to retrieve a phone number from Contacts press **Add** followed by:

Press **<Favourite>** to define easily available message recipients or groups when sending messages

Recently used to send a message to a recently used number

Call register to access contacts from the call log

Contacts to send a message to a number in your Contacts list

Contact groups to send a message to multiple recipients saved as a group in your Contacts list



This operation can be repeated to add a number of recipients for the Multimedia message.

7. Press the **Send** key.

The message is sent.

It takes the network longer to send a Multimedia message than to send a text message. While the Multimedia message is being sent, an animated indicator is displayed on the status line, but you can carry on using your Vertu phone as normal. If there is an interruption while the message is being sent, the network tries to resend it a few times. If this fails, the message remains in the **Outbox** folder and you can try to resend it later. Check your **Outbox** folder for unsent messages.



After sending a message, your Vertu phone displays a confirmation message. This is an indication that the message has been sent by your Vertu phone to the message centre. This is not an indication that the message has been received at the intended destination.

For more information about Multimedia messaging, contact your service provider.

Reading and replying to multimedia messages

When you receive a Multimedia message, you will receive an information note and an envelope icon will appear on the status line. By default there is also an audible alert.

To read a new Multimedia message as soon as it is received press **View**.

To ignore the message and view it later, press **Exit**.



If you have unread messages in your Inbox, the envelope icon will remain on the stand-by display.

To read a stored message:

1. From the stand-by display, press **Menu » Messages » Inbox**.
2. The most recently received message will be highlighted. Scroll to the message you want to read and then press **Open**.
3. To view the whole message, including any attachments, press **Play**.
4. To view just the files in the presentation or the attachments, press **Options** and select one of the following:
 - Objects** enables you to examine files attached to the message
 - Reply** sends a reply to the message sender
 - Reply as** enables you to select the message type for the reply
 - Reply to all** sends a reply to all recipients of the original message
 - Delete** removes the message you are viewing from your Vertu phone
 - Call sender** dials the sender
 - Use detail** enables you to use any numbers, e-mail addresses or Web addresses from the current message when you create a new message or contact
 - Forward** sends the message to another recipient of your choosing
 - Edit** enables you to edit the message before sending or saving
 - Move** moves the message to another folder
 - Copy as template** enables you to save the message as a template for future messages
 - Message details** displays the sender's name and phone number, the message centre used, and the date and time sent.
 - Save contents** to save the attachment to the Gallery
 - Show contents** displays information about the message attachment.
5. Scroll to **Objects** and then press **Select**.
6. Scroll to the relevant object type and then press **Select**.

To reply to a Multimedia message:

1. With the message open, press **Options**.
2. Scroll to **Reply** to reply to the sender or **Reply to all** to send a reply to all recipients of the original message and then press **Select**.
3. To send the message, press **Send**. See "Writing and sending text messages" on page 23 and "Writing and sending multimedia messages" on page 25 for more information.

Audio messages

You can use the Multimedia message service to create and send an audio message. Multimedia messaging service must be activated before you can use audio messages. See "MMS settings" on page 24.

Creating and sending audio messages

1. From the stand-by display, press **Menu » Messages » Create message**.
2. Press **Options » Change msg. type.** » Audio message.
3. The recorder opens (see "Voice recorder" on page 52 for more information). Press **Select** to start recording the Audio message.
4. Press **Select** again to stop the recording.
5. Press **Options** while creating an audio message to select from the following features:

Send sends the completed message

Preview enables you to listen to how the message will sound to the recipient

Change msg. type enables you to change the type of message being created

Sending options enables you to select from the following options when sending the message:

Message priority determines the priority level. Choose from **High, Normal** or **Low**

Delivery report determines whether the network sends you delivery reports for your messages

Save sent message determines whether or not the phone saves the message in the Sent items folder once it is sent


Save message saves the message in your Saved messages folder

Add subject enables you to include a subject for your message

Exit editor closes the text entry environment (you will be asked if you want to save any incomplete message).

6. Use the **NUMBER** keys to enter the recipient's phone number in the **To:** field.
7. Alternatively, to retrieve a phone number from Contacts select **Add** followed by one of the following:
 - Press **<Favourite>** to define easily available message recipients or groups when sending messages
 - Recently used** sends a message to a recently used number
 - Press **Call register** to access contacts from the Call log
 - Contacts** enables you to send a message to a number in your Contacts list
 - Contact groups** enables you to send a message to multiple recipients saved as a group in your Contacts list.
8. Scroll to the **Message:** field and press **Play** to preview the message.
9. Press **Send**.

Receiving and listening to audio messages

When you receive an audio message, you will receive an information note, and the  icon will appear on the status line. By default there is also an audible message alert.

To listen to a new audio message as soon as it is received press **Play**.

To ignore the message and view it later, press **Exit**.



If you have unread messages in your Inbox, the envelope icon will remain on the stand-by display.

To listen to a stored audio message:

From the stand-by display, press **Menu » Messages » Inbox » Play**.

E-mail

You can write, send, and read e-mails with your Vertu phone. Your phone supports POP3 and IMAP4 e-mail servers.

Depending on which service provider you use, your Vertu phone might already have e-mail settings installed. If you encounter any difficulties, please contact Vertu Concierge or visit www.vertu.com and download your settings.

E-mail accounts are normally set up as described "Setting up your Vertu.Me e-mail account" on page 6.

E-mail settings

To modify your connection settings for a mailbox:

1. From the stand-by display, press **Menu » Messages » Message settings » E-mail messages » Edit mailboxes**
2. Highlight the mailbox name and select **Edit**.
3. Scroll to each of the options and modify the parameters with the information supplied by your service provider and/or e-mail provider

To set up a new mailbox:

If no e-mail account has been set up:

1. From the stand-by display, press **Menu » Messages » E-mail**
2. When prompted enter your email address and the phone will connect to the internet to search for the relevant settings to use.

To manually enter settings for an additional new mailbox:

1. From the stand-by display, press **Menu » Messages » Message settings » E-mail messages » Edit mailboxes**
2. Select **Options** and **Add mailbox**.
3. Scroll to each of the options and set the parameters with the information supplied by your service provider and/or e-mail provider..



Due to the complexity of entering all of the settings manually, it is strongly recommended that you use the order settings link from your CD-ROM to take you directly to the appropriate page on the Vertu website to obtain the settings for your Vertu phone. Alternatively, contact Vertu services for further help.

Filtered E-mail

VIP email filtering is supported on your Signature phone. You can change your preference settings for Filtered e-mail via the Vertu.Me web portal, see www.Vertu.Me. Here you can choose whether to allow your Vertu.Me account to receive e-mails from all senders or only receive e-mails from senders within your Vertu.Me Contacts list.

Note that for e-mail filtering to work, you must have the e-mail address of the sender loaded into your Contacts list. If the contact name and phone number only is present, you will not be able to receive an e-mail from the sender.

Your Filtered e-mail folder is viewable via the Vertu.Me web portal but your Filtered e-mail folder will not visible on a Signature phone.

If you have a Vertu Constellation Quest phone as well as a Signature phone, you will already hold a Vertu.Me account. If you choose to activate Filtered e-mail, it will affect the e-mails you receive at the Vertu.Me web portal, your Signature handset and your Constellation Quest handset. Filtered e-mail is not a Signature only setting.

Writing and sending e-mail messages

You can create e-mail messages and also attach images and video clips. You can write your e-mail message before connecting to the e-mail service; or connect to the service first, then write and send your e-mail.

To write and send an e-mail message:

1. From the stand-by display, press **Menu » Messages » Create message**.
2. Press **Options » Change msg. type.** » E-mail message.
3. Enter the recipient's e-mail address, write the subject, and enter the message. To attach a file from Gallery, business card, note, etc, select **Insert**.
4. To send the e-mail message, select **Send**.
5. If more than one e-mail account is defined, select the account from which you want to send the e-mail.
6. To edit or continue writing your e-mail later, select **Exit » Yes**. The e-mail is saved in **Drafts**.



After sending a message, your Vertu phone may display Message Sent. This is an indication that the message has been sent by your Vertu phone. This is not an indication that the message has been received at the intended destination.

Downloading and reading e-mail

To download your e-mail messages:

1. From the stand-by display, press **Menu » Messages » E-mail**.
2. If more than one e-mail account is defined, select the account from which you want to download the e-mail.
3. The e-mail application connects, synchronises and displays e-mails.
4. To open an e-mail, highlight a header and press **Open**.

VERTU

Replying to e-mail



Exercise caution when opening messages. E-mail messages may contain malicious software or otherwise be harmful to your Vertu phone or your computer.

To reply to e-mail:

1. To reply to an e-mail, open it as above, and then select **Options » Reply**.
2. Write the reply and then press **Send**.

Deleting e-mail messages

You can delete e-mails one-by-one or mark a group for deletion all at once.

To delete one e-mail message:

1. From the stand-by display, press **Menu » Messages » E-mail**. The e-mail application is started.
2. Highlight an e-mail and press **Options » Delete**.
3. Select from **From phone** to delete e-mails from your Vertu phone only. Deleting an e-mail from your phone does not delete it from the e-mail server.
4. Select **Also from server** to delete e-mails from your Vertu phone and also from the e-mail server.

To delete more than one e-mail message:

1. From the stand-by display, press **Menu » Messages » E-mail**. The e-mail application is started.
2. Press **Options » Mark** or **Mark all**.
3. Mark the e-mail or e-mails for deletion.

Press **Options » Delete marked**. The marked messages will be deleted from your Vertu phone.

Wireless Village Chat

With Wireless Village Chat (instant messaging) you can send short, simple text messages to online users. You have to subscribe to a service and register with the IM service you want to use. For more information contact your service provider.



Wireless Village Chat supports DRM2.

To log in to Wireless Village Chat:

1. From the stand-by display, press **Menu » Messages » WV chat**.
2. Select from the following options:
 - Login** - to log in to the Wireless Village Chat feature
 - Saved conversations** to access your stored message conversations.

Voice messages

The voice mailbox is a network service and you may need to subscribe to it. For more information and for your voice mailbox number, contact your service provider.

To call your voice mailbox:

From the stand-by display, press **Menu » Messages » Voice messages » Listen to voice msgs**. Or, press and hold the 1 key on the number keypad.



The first time you access your voice mailbox, you may be required to enter a voice mailbox number, depending on your operator.

To enter, search for or edit your voice mailbox number:

From the stand-by display, press **Menu » Messages » Voice messages » Voice mailbox no.**

Info messages

With the Info messages network service, you can receive messages on various topics from your service provider.

To check availability, topics, and the relevant topic numbers, contact your service provider.

Service messages

Your Vertu phone is able to receive service messages (pushed messages) sent by your service provider. Service messages are notifications (for example, news headlines), and they may contain a text message or an address of a service.

When you receive a service message:

1. Press **Show** to display the message.
2. Or, press **Exit** to save the message to your inbox.

Service message settings

To update service message settings:

1. From the stand-by display, press **Menu » Messages » Message settings » Service messages**.
2. Scroll to one of the following options and then press **Select**:
 - Service messages » On** or **Off** to set whether you want to receive service messages
 - Message filter » On** to set the phone to receive service messages only from content authors approved by the service provider
 - Autom. connection » On** to set the phone to automatically activate the browser from the stand-by mode when the phone has received a service message. If you select **Off**, the phone activates the browser only after you select **Retrieve** when the phone has received a service message.

Bluetooth messages

Messages sent via Bluetooth are available via the Messages inbox.

Service commands

Use the service commands editor to enter and send service requests (also known as USSD commands) to your service provider. Contact your service provider for information about service commands.

To send a service command:

1. From the stand-by display, press **Menu » Messages » Serv. commands**.
2. Use the **NUMBER** keys to enter a service request, for example an activation command for a specific network service and press **Send**.

4 CONTACTS

Your Vertu phone Contacts list has capacity for up to 2,000 entries.

Synchronising contacts

In order to synchronise the contacts on your phone with your Vertu.Me e-mail account, refer to "Vertu.Me synchronisation" on page 45.

Contacts memory

Contact names and numbers can be stored in the phone memory or on the SIM card, or both.

Phone memory

Each contact can contain up to five numbers and five text items, for example a postal address, an e-mail address, an image and a specific ring tone.

If you use the phone memory you can store more data and access more functions, for example voice tags, than if you use the SIM card memory.

SIM card memory

Contacts stored on your SIM card have one associated number. The number of contacts and the length of names and numbers that you can store on your SIM card is determined by your service provider.

Selecting the memory type

Certain features, for example business cards and multiple numbers associated with a contact, are only available when using the phone memory. If you plan to make frequent use of these features, we recommend that you set your Vertu phone to use the phone memory. If you plan to transfer your SIM card from your Vertu phone to other phones, we recommend that you set your Vertu phone to use the SIM card memory.

To select a memory type:

1. From the stand-by display, press **Menu » Contacts » Settings » Memory in use.**
2. Scroll to one of the following options and then press **Select**:
 - Phone and SIM** to save new contacts to the phone and display contacts from the phone and SIM
 - Phone** to save and display phone contacts
 - SIM card** to save and display SIM card contacts.

A message confirms which memory you have selected.



If you change the SIM card in your Vertu phone, the memory type is automatically reset to phone.

Copying between memories

The copying feature allows you to copy names and numbers between the phone memory and the SIM card memory.

1. From the stand-by display, press **Menu » Contacts » Copy contacts.**
2. Scroll to one of the following options and then press **Select**:
 - From SIM to phone** to copy all information from the SIM card memory to your Vertu phone memory
 - From phone to SIM card** to copy the name and the number from your Vertu phone memory to the SIM card memory.
3. Press **Yes** to confirm your action, or press **No** to cancel.



If you are copying from phone memory to SIM card memory and your Vertu phone memory contains more entries than your SIM card can store, some of the entries will not be copied.

Move between memories

The move feature enables you to move contact names and numbers from the phone to the SIM card memory and vice versa.

1. From the stand-by display, press **Menu » Contacts » Move contacts.**
2. Scroll to one of the following options and then press **Select**:
 - From SIM to phone** to move all information from the SIM card memory to your Vertu phone memory. The information is no longer held on your SIM card
 - From phone to SIM card** to move the name and the number from your Vertu phone memory to the SIM card memory. The information is no longer held in your Vertu phone memory
3. Press **Yes** to confirm your action, or press **No** to cancel.

Copying individual numbers

You can also copy individual directory numbers between the phone memory and SIM card memory directly from the contacts list.

To copy individual numbers:

1. From the stand-by display, press **Menu » Contacts » Names.**
2. If the contact name is not visible, press the first letter of the contact name. The first name starting with that letter is highlighted. Scroll to the desired name and press **Details.**
3. Press **Options » Copy number.**
4. Select **Keep original** and then press **Select** to keep the contacts in both memories.
5. Or select **Move original** and then press **Select** to delete the original information.

A message confirms that the number has been copied.

VERTU

Check memory status

You can check your Vertu phone's memory to see how much information is stored and how much free space is available.

To check the memory status:

1. From the stand-by display, press **Menu » Contacts » Settings » Memory status**.
2. Scroll to either **Phone** or **SIM card** and then press **Select**.
If **Phone** is selected the phone's contact free memory and used memory is displayed as a percentage of the available memory
If **SIM card** is selected the absolute number of free contacts and contacts in use for the SIM card is displayed.
3. Press **Back** to exit the screen.



SIM card memory capacity is defined by your SIM card, not by your Vertu phone. For more information contact your service provider.

Adding contacts

To add a contact:

1. From the stand-by display, press **Menu » Contacts » Add new contact**.
2. Use the **NUMBER** keys to enter the contact's first name. Scroll down to the next field.
3. Use the **NUMBER** keys to enter the contact's last name. Scroll down to the next field.
4. Use the **NUMBER** keys to enter the mobile phone number. Scroll down to the next field.
5. Use the **NUMBER** keys to enter the home phone number. Scroll down to the next field.
6. Use the **NUMBER** keys to enter the email address. Scroll down to the next field.
7. Scroll right or left to open the image gallery and select an image to associate with this contact.
8. Select **Save** to confirm your entry, or press **Cancel**.

A message confirms which memory you have saved the contact details to.

Accessing contacts

There are several ways to access a contact, giving you flexibility to use your Vertu phone in the way that suits you best.

A: Follow menupath

1. From the stand-by display, press **Menu » Contacts » Names**.
2. Key in the first letter of the contact name.
3. The first name starting with that letter is highlighted.
4. Scroll to the desired name.

B: Go to command

If your contacts is one of the most used functions on your phone, **Names** is displayed in the **Go to** shortcut menu (see "My shortcuts" on page 40). You can use the left **SELECTION** key to open the shortcut menu and display your contacts list:

1. From the stand-by display, press **Go to » Names**.
2. Key in the first letter of the contact name.
3. The first name starting with that letter is highlighted.
4. Scroll to the desired name.

C: Selection key

If your right **SELECTION** key has been configured as **Names** (see "My shortcuts" on page 40) you can use the following method to display your contacts list:

1. From the stand-by display, press the right **SELECTION** key.
2. Key in the first letter of the contact name.
3. The first name starting with that letter is highlighted.
4. Scroll to the desired name.



*The following instructions use Method A to access your contact name list however, the other methods can be used if your **SELECTION** keys have been configured correctly.*

Deleting contacts

To delete a contact:

1. Select your contact name as in "Accessing contacts".
2. Press **Options** and select **Delete contact**.
3. Press **Yes** to confirm deletion.

A message confirms which contact you have deleted.

Contact number and text types

The first number added to a contact is automatically set as the default number. When you select a contact to call or send a message to, this default number is always used.

You can store different numbers for each contact from the following types:

- | | |
|------------------|---------------|
| > <i>General</i> | > <i>Work</i> |
| > <i>Mobile</i> | > <i>Fax</i> |
| > <i>Home</i> | |

You can also store different text items from the following types:

- | | |
|-------------------------|-------------------------|
| > <i>Number</i> | > <i>Nickname</i> |
| > <i>E-mail address</i> | > <i>Postal address</i> |
| > <i>Web address</i> | > <i>User ID</i> |
| > <i>Company</i> | > <i>Birthday</i> |
| > <i>Job title</i> | > <i>Note</i> |
| > <i>Formal name</i> | > <i>Image</i> |



A contact can have duplicate number and text types, for example two mobile numbers or two e-mail addresses.

VERTU

Adding information to a contact

You can add phone numbers or text items to a contact.

To add a number to a contact:

1. Select your contact name as in "Accessing contacts".
2. With the contact name highlighted, press **Details**.
3. Press **Options**.
4. Scroll to **Add detail** and press **Select**.
5. Scroll to **Number** and press **Select**.
6. Scroll to the type of number you want to add and then press **Select**.
7. Key in the phone number.
8. Press **Next** until the **Save** option appears. Press **Save** to confirm the number, or press **Options** and scroll to **Save**. Press **Select** to confirm.

A message confirms that the details have been saved to the phone memory.

Alternatively,

1. Enter the telephone number from the stand-by screen and press **Options**.
2. Press **Add to contact**.
3. Scroll to the required contact and press **Add**.
4. Scroll to the type of number you want to add and then press **Select**.

A message confirms that the details have been saved to the phone memory.

To add a text item to a contact:

1. Select your contact name as in "Accessing contacts".
2. With the contact name highlighted, press **Details**.
3. Press **Options**.
4. Highlight **Add detail** and then press **Select**.
5. Scroll to the type of text you want to add, for example, Web address or Nickname, and then press **Select**.
6. Key in the text and press **Save**.

A message confirms that the details have been saved to the phone memory.

Changing the default number

The first number you add to a contact is automatically set as the default number. If more than one number is added to an entry, for example if the contact has a mobile phone number and an office number, you can change the default number.

To change the default number:

1. Select your contact name as in "Accessing contacts".
2. Press **Details**.
3. Scroll to the number to set as the default and press **Options**.
4. Scroll to **Set as default** and then press **Select**.

A message confirms that the default number has been set.

Setting the contacts view

Your Vertu phone can display your contacts in different ways:

Normal name list displays five contacts at a time

Name and number displays one contact with the default number

Name and image displays one contact with an associated image.

To set the type of view:

1. From the stand-by display, press **Menu » Contacts » Settings » Contacts view**.
2. Scroll to the required view and then press **Select**.

A message confirms that the contacts view has been selected.

Setting the name display

To select whether the contact's first or last name is displayed first:

1. From the stand-by display, press **Menu » Contacts » Settings » Name display**.
2. Scroll to the required view and then press **Select**.

A message confirms that the contacts view has been updated.

Setting the font size

To set the font size for the list of contacts:

1. From the stand-by display, press **Menu » Contacts » Settings » Font size**.
2. Scroll to the required view and then press **Select**.

A message confirms that the contacts view has been updated.

Viewing the memory status

To view the free and unused memory capacity:

1. From the stand-by display, press **Menu » Contacts » Settings » Memory status**.
2. Scroll to the required view and then press **Select**.

Contacts menu

You can use the options in the contacts menu to make a call, send a text message and send a business card to anyone whose contact information you have saved. Your phone automatically adds voice tags to your contacts, and you can also assign numbers to the speed dial list.

Searching and calling

To search for an entry and call the default number:

1. Select your contact name as in "Accessing contacts".
2. Scroll to the required name and press the **SEND** key.

To search for an entry and call a number other than the default number (using the phone memory only):

1. Select your contact name as in "Accessing contacts" and press **Details**.
2. Scroll to the required number.
3. Press the **SEND** key or press **Call** to make the call.

VERTU

Text messages

When you have a contact open, you can send them a text message without returning to the main menu.

Sending text messages

To send a text message:

1. Select your contact name as in "Accessing contacts" and press **Details**.
2. Scroll to the required number and press **Options**.
3. Scroll to **Send message** and then press **Select**.
4. With Message highlighted, press **Select**.
5. Key in the message and press **Send**.

Business cards

The business card function allows you to send and receive contact information, via text message, multimedia or Bluetooth. This function can be used with both the phone memory and the SIM card memory, although the SIM card memory only allows you to send the default number.

Sending business cards

To send a business card:

1. Select your contact name as in "Accessing contacts" and press **Details**.
2. Press **Options** » **Send business card**.
3. Select the transmission method you want to use:

To send by multimedia message:

1. Scroll to **Via multimedia** and then press **Select**.
2. Refer to "Writing and sending multimedia messages" on page 25 to complete and send your multimedia message.

To send by text message:

1. Scroll to **Via text message** and then press **Select**.
2. Refer to "Writing and sending text messages" on page 23 to complete and send your text message.

To send by Bluetooth:

1. Scroll to **Via Bluetooth** and then press **Select**.
2. Scroll to the recipient's device on the list and then press **Select**. A message confirms that the business card has been sent.



The phone memory can store additional contact information for example a person's work and mobile phone numbers and an e-mail address.

Receiving business cards

When you receive a business card a message appears on the display. An audible alert sounds if your Vertu phone is set up for audible alerts.

To display a received business card:

Press **Show** to display the business card.

To save a business card to your directory:

Press **Save**. A message confirms that you have saved the business card.

To discard a business card without saving it:

Press **Exit** then press **Yes** to confirm. A message confirms that you have discarded the business card.

Speed dialling

The Contacts menu enables you to compile a speed dial list very quickly. You can have up to eight numbers saved in your speed dial list. To dial a number, simply press and hold one of the **NUMBER** keys.



Speed dialling key number 1 is reserved for the voice mailbox.

Adding numbers to the speed dial list

To add a number to the speed dial list from within a contact:

1. Select your contact name as in "Accessing contacts" and press **Details**.
2. Scroll to the required number and press **Options**.
3. Scroll to **Speed dial** and then press **Select**.
4. Scroll to an empty speed dial key, or one that you want to overwrite (see below).
5. With the desired key highlighted, press **Assign**.

A message confirms which speed dial number key has been assigned.

To add a number to the speed dial list using the speed dial menu:



This method can add contact details and assign a speed dial number key at the same time.

1. From the stand-by display, press **Menu** » **Contacts** » **Speed dials**.
2. Scroll to the desired speed dial key and press **Assign**.
3. Key in the **Phone number**: or press **Search** to select it from the Contacts list and then press **OK**.
4. Enter the **First name**: if creating a new contact.
5. Enter the **Last name**: of the contact.
6. Scroll to **Save** and press **Select**.

A message confirms which memory the contact has been saved to, followed by a message that confirms which speed dial number key has been assigned.

VERTU

Changing speed dial numbers

To change speed dial numbers from within a contact:

1. Select your contact name as in "Accessing contacts" and press **Details**.
2. Scroll to the required number and press **Options**.
3. Scroll to **Speed dial** and then press **Select**.
4. A message confirms that a speed dial already exists for the contact.
5. Scroll to the desired speed dial key and press **Assign**.

A message confirms which speed dial number key has been assigned.

To change speed dial numbers using the speed dial menu:

1. From the stand-by display, press **Menu » Contacts » Speed dials**.
2. Scroll to the desired speed dial and press **Options » Change** and press **Select**.
3. A message displays **Replace existing speed dial?** Select **Yes**.
4. **Search** for the number to assign, highlight it and press **Select**.
5. Alternatively, you can enter the new **Phone number:** directly by keying it in and pressing OK.
6. Enter sufficient details to create a new contact; enter the **First name:** and the contact **Last name:** and any other relevant details.
7. Press **Save** and the number is allocated to the speed dial.

A message confirms which memory the contact has been saved to, and which speed dial number key has been assigned.

Deleting speed dial numbers

To delete speed dial numbers using the speed dial menu:

1. From the stand-by display, press **Menu » Contacts » Speed dials**.
2. Scroll to the desired speed dial and press **Options**.
3. Scroll to **Delete** and then press **Select**.
4. Press **Yes** to confirm.

A message confirms which speed dial number key has been deleted.

Voice tags

Your Vertu phone can make a call to a contact using a voice tag. Voice tags are automatically added to all contacts. Your Vertu phone can store up to 1,500 voice tags.



Very short names do not work well for voice tags. Use longer unique names, for example "Vertu Concierge Service."

Using voice tags

To make a voice tag call:

1. Press and hold the down the right SELECTION key.
2. Speak the voice tag clearly into the microphone.
3. A list of possible matches is displayed briefly giving you a chance to scroll to the correct one or **Quit** if it is not on the list.
4. After about 2 seconds your phone will automatically dial the number.

Playing voice tags

To play a voice tag from within a contact:

1. Open your contact name as in "Accessing contacts" and press **Details**.
2. Scroll to the contact name within the details and press **Options**.
3. Scroll to **Play voice tag** and then press **Select**.

The voice tag is played.

Groups

Use groups to associate a contact name to a group. The group name appears on the display when a member of a group calls you. You can assign a different ringing tone to each group for easy recognition of incoming calls.

Viewing groups

To view groups:

From the stand-by display, press **Menu » Contacts » Groups**.

The Groups are displayed.

Creating a group

To create a contact group:

1. From the stand-by display, press **Menu » Contacts » Groups**.
2. Press **Add**. If you have existing groups listed, press **Options** and then **Add new group**.
3. Add a Group name.
4. Add a Group image and tone (if required).
5. Press **Save**.

A message confirms that the group has been added.

Adding contacts to a group

To open a group and link contacts to it:

1. From the stand-by display, press **Menu » Contacts » Groups**.
2. Scroll to the desired group and press **View**.
3. Press **Add** to display your contacts list.
4. Scroll to the desired name and then press **Select**. Repeat for each contact to be added to the group.

A message confirms that the contact has been added to the group.

Editing group names

To edit group names:

1. From the stand-by display, press **Menu » Contacts » Groups**.
2. With the group name to be edited highlighted, press **Options**.
3. With **Group details** highlighted, press **Select**.
4. With **Group name** highlighted, press **Select**.
5. Key in the new name for the group and then press **OK**.

A message confirms that the group has been renamed.

Deleting contacts from a group

To delete contacts from a group:

1. From the stand-by display, press **Menu » Contacts » Groups**.
2. Scroll to the desired group and press **View**.
3. Scroll through the group members to the desired contact and press **Options**.
4. With **Remove member** highlighted, press **Select**.
5. Press **Yes** to confirm.

A message confirms that the contact has been removed from the group.

Adding group details to a contact

To open a contact and add group details:

1. Select your contact name as in "Accessing contacts" and press **Details**.
2. Press **Options**.
3. Scroll to **Add to group** and then press **Select**.
4. Scroll to the desired group and then press **Select**.

A message confirms that the contact has been added to the group.

Deleting group details from a contact

To delete group details from a contact:

1. Select your contact name as in "Accessing contacts" and press **Details**.
2. Scroll to the group name and press **Options**.
3. Scroll to **Remove from group** and then press **Select**.
4. Press **Yes** to confirm.

A message confirms that the contact has been removed from the group.

Setting group ringing tones

All groups initially have a default ringing tone. To set a distinctive ringing tone for each group:

1. From the stand-by display, press **Menu » Contacts » Groups**.
2. Scroll to the desired group and press **Options » Group details**.
3. Scroll to **Group tone**.
4. Press **Options » Change tone** and select your ringing tone from **Default / Open Gallery / Tone downloads**.
5. Press **Save**.

A message confirms that the group ringing tone has been selected.



The default ringing tone for the caller groups is the ringing tone set up in the profiles menu.

Editing contact numbers

To edit contact number details:

1. Select your contact name as in "Accessing contacts" and press **Details**.
2. Press **Options**.
3. Select from the following functions:

Add detail

Scroll to one of the following and then press **Select** to add more detail to a contact record:

Number	Nickname
E-mail address	Postal address
Web address	User ID
Company	Birthday
Job title	Note
Formal name	Image

Voice call

Press **Select** to call the contact.

Send message

Select a type of message and then press **Select**. See the chapter "MESSAGES" on page 20 for further instructions on sending messages.

Add image

Press **Select** to open the Gallery and select an image. See "Adding contacts" on page 30.

Edit

1. Scroll to **Edit** and then press **Select**.
2. Press **Clear** as many times as necessary to delete the number to the left of the cursor.
3. Key in the new number.
4. Press **OK** to save the new number.

Delete

1. Scroll to **Delete** and then press **Select**.
2. Scroll to either **Delete number** to remove the number but retain the other contact details or **Delete contact** to remove all of the contact details and then press **Select**.
3. Press **Yes** to confirm the deletion.

View

Press **Select** to view the contact number.

Set as default

Press **Set as default**. A message confirms that number has been set as default.

Change type

Allows you to redefine the number type as **General**, **Mobile**, **Home**, **Office** or **Fax**. Press **Select** and a message will be displayed to confirm the change.

Copy number

1. Select **Keep original** or **Move original**.
2. Press **Select**.
3. A message confirms that the number has been copied.

Send business card

Select a transmission method and then press **Select**. See "Business cards" on page 32 for further instructions on sending business cards.

Add to group

Press **Select** to add the contact to a group. "Adding contacts to a group" on page 33.

Use number

This makes a copy of the selected number allowing you to save it under a new contact record.

Press **Save** and then use the **NUMBER** keys to enter a name for the new contact.

Speed dial

Select a speed dial key and press **Assign**. A message confirms which speed dial key has been assigned.

Editing contact names

To edit contact name details:

1. Select your contact name as in "Accessing contacts" and press **Details**.
2. Scroll to the contact name and press **Options**.
3. Select from the following functions:

Add detail

Press **Select** to add more detail to a contact record. For more details, see "Adding information to a contact" on page 31.

Voice call

Press **Select** to call the contact.

Add image

Press **Select** to open the Gallery and select an image. See "Adding contacts" on page 30.

Edit

1. Press **Clear** as many times as necessary to delete the current name.
2. Use the **NUMBER** keys to enter the new.
3. Press **OK** to save the new name.

Delete contact

To remove the complete contact record press **Yes** to confirm the deletion.

Play voice tag

This will play the voice tag associated with the contact record.

Send business card

Select a transmission method and then press **Select**. See "Business cards" on page 32 for further instructions on sending business cards.

Add to group

Select the required group from those displayed and then press **Select**. A message will be displayed to confirm that the contact has been added to the group.

5 CALL HISTORY

The Call history feature allows you to view information about calls that you have missed, received and made. You can also view information (volume of data / session duration) for packet data transfer and number of messages sent and received (both SMS and Multimedia).

Call history

Call history stores information about your most recent missed, received, and dialled calls. When the list is full, the most recent call replaces the oldest.

To ensure that the call history is able to store your received and missed call information, your service provider must support caller ID, and it must be enabled. If the caller's number is not available, for example if the caller withheld their number or the network did not transmit the number, **No number** appears in the calls list.

The call history can only store information about calls that are actually received by your Vertu phone. If you do not have a signal or if your calls are blocked, any incoming calls will not be stored.

Viewing the call history

To view recent call information:

1. From the stand-by display, press **Menu » Call history » All calls**.
2. The calls will be listed in chronological order.

Viewing missed calls

To view details of calls that have been missed:

From the stand-by display, press **Menu » Call history » Missed calls**.

Viewing received calls

To view details of calls that have been successfully received by your Vertu phone:

From the stand-by display, press **Menu » Call history » Received calls**.

Viewing dialled numbers

To view details of numbers that have been dialled from your Vertu phone:

From the stand-by display, press **Menu » Call history » Dialled numbers**.

Viewing message recipients

To view details of contacts to whom messages have been sent:

From the stand-by display, press **Menu » Call history » Msg. recipients**.

Clearing log lists

To clear information from your Vertu phone's Log:

1. From the stand-by display, press **Menu » Call history » Clear log lists**.
2. Scroll to one of the options and then press **Select**:



This operation will take immediate effect without requiring confirmation. Once log lists have been cleared the information cannot be recovered.

All call lists removes all information from your Vertu phone log

Missed calls removes details from the Missed calls log

Received calls removes details from the Received calls log

Dialled numbers removes details from the Dialled numbers log

Message recipients removes details from the Message recipients log.

Viewing call duration

To view information about the duration of calls made and received by your Vertu phone:

1. From the stand-by display, press **Menu » Call history » Voice call durat.**
2. The following information will be available for examination:
 - Last call** shows the length of the last call regardless of type
 - Received calls** shows the total combined duration of all received calls
 - Dialled calls** shows the total combined duration of all dialled calls
 - All calls** shows the total combined duration of all calls to and from your Vertu phone
3. **Clear timers** it will be necessary to enter your security code to complete this operation. See "SECURITY" on page 17.

Viewing the packet data counter

General packet radio service (GPRS) is a network service that allows mobile phones to send and receive data over an Internet protocol (IP)-based network. See "Packet data settings" on page 41 for more information.

To view approximate information about the volume of data sent and received via GPRS:

1. From the stand-by display, press **Menu » Call history » Data counter**.
2. The following information will be available for examination:
 - Sent in last session** is the amount of data in bytes, sent in the last transmission
 - Received in last sess.** is the amount of data in bytes, received in the last transmission
 - All sent data** is the total amount of data in bytes, sent in all transmissions
 - All received data** is the total amount of data in bytes, received in all transmissions
3. **Clear counters** resets all of the counters. It will be necessary to enter your security code to complete this operation. See "SECURITY" on page 17.

Viewing the data timer

To view approximate information about the duration of sessions over GPRS:

1. From the stand-by display, press **Menu » Call history » Data timer**.
2. The following information will be available:
 - Duration of last sess.** shows the length of time spent on the last session
 - Duration of all sess.** shows the combined length of time spent on all sessions
3. **Clear timers** resets all of the timers. It will be necessary to enter your security code to complete this operation. See "SECURITY" on page 17.

Viewing the message log

To view details of messages that have been sent and received by your Vertu phone:

1. From the stand-by display, press **Menu » Call history » Message log**.
2. The following information will be available:
 - Sent text messages** shows number of text messages and parts sent
 - Sent MMS msgs.** shows number of multimedia messages sent
 - Sent e-mails** shows number of email messages sent
 - Received text msgs.** shows number of text messages and parts received
 - Received MMS msgs.** shows number of multimedia messages received
 - Downloaded e-mails** shows number of downloaded messages to My mailbox.
3. **Clear all counters** it will be necessary to enter your security code to complete this operation. See "SECURITY" on page 17.

Viewing the sync log

Sync log shows statistics on data you have transferred while synchronising your Vertu phone.

To view the sync log, from the stand-by display, press **Menu » Call history » Sync log**.

6 SETTINGS

The Settings menu enables you to control the core functionality of your Vertu phone. Using this feature you can define personalised themes, configure the display, adjust the time and date settings, set up personal shortcuts, configure various connectivity preferences, modify call and phone settings, set up security features and restore your factory default settings.

Refer to "SECURITY" on page 17 for more information about the security settings.

Date and time

Using the Date and Time facility, you can:

- > *Enable or disable Accurate time*
- > *Set time and date*
- > *Set your home location and alternate location*
- > *Set display options for the clock, including analogue or digital*



When Accurate Time is enabled the time, date and alternate location are set automatically and consequently these options become un-available.

Time Management

Time management allows you to activate Accurate time. Accurate time maintains the time and date on your phone accurately by taking time signals from the phone network.

To set the Clock mode:

1. From the stand-by display, press **Menu » Settings » Date and time » Time management » Clock mode.**
2. Scroll to one of the following options and then press **Select** to confirm the option:
 - Accurate time
 - Single fixed clock
 When Single fixed clock is selected, manual time is activated.
3. Move to **Home location**, and choose your **Continent** and **Country.**

Date & time settings

This option is only available if Single fixed clock is selected or if Accurate time is unavailable. To set the time and date:

1. From the stand-by display, press **Menu » Settings » Date and time » Date & time settings.**
2. Using the NUMBER keys set the **Date:** and **Time:**, and select **Save** to confirm your settings.

Date and time format

Allows you to choose a clock display option, and fine tune the date and time options.

Date

Use the **Date and time format » Date** option to define whether the date is to be displayed on the screen, and the format to be adopted for the digital display.

1. From the stand-by display, press **Menu » Settings » Date and time » Date and time format » Date.**
2. Scroll to one of the following options and then press **Select** to customise the date settings:

Date on standby scr. enables you to show or hide the date on the stand-by screen

Date format sets how the date will be displayed

Date separator sets whether spaces, dots or slashes are used.

Time

Use **Date and time format » Time** to choose a clock display option and to select a time format for the digital displays.

1. From the stand-by display, press **Menu » Settings » Date and time » Date and time format » Time.**
2. Scroll to one of the following options and then press **Select** to customise the time settings:

Clock enables you to choose from **Digital, Analogue** or **Hide clock**

Time format sets the time in 24-hour or 12-hour format.

VERTU

Profiles

Profiles are an easy way to control the most common groups of settings, for example audible and vibrating alerts. Activating an alternative profile changes all the associated settings.

Profiles define how your Vertu phone reacts when you receive a call or a message, how your NUMBER keys sound when you press a key, and more.

Activating a profile

You can change your profile at any time to ensure that your Vertu phone's alerts are appropriate to your surroundings.

Timed profiles can be used to prevent missed calls. For example, you attend an event that requires your Vertu phone be set to **Silent** before the event starts, but you forget to return it to **General** until long after the event. During this time, you might miss several calls because the ringing tone is silent. The **Flight** profile cannot be timed.

With the timed profile feature, you can set a profile to expire after any length of time up to 24 hours. When the timed profile expires, your Vertu phone automatically returns to the original profile.

To change your current profile from the stand-by display:

1. Press the power key once briefly.
2. Scroll to the desired profile and then press **Select**.

To change your current profile using the menus:

1. From the stand-by display, press **Menu » Settings » Profiles**.
2. Scroll to the desired profile and then press **Select**.
3. With **Activate** highlighted, press **Select**.

To set a time limit for the selected profile:

1. From the stand-by display, press **Menu » Settings » Profiles**.
2. Scroll to the desired profile and then press **Select**.
3. Scroll to **Timed** and then press **Select**.
4. Use the NUMBER keys or scroll to enter the time you want your new profile selection to end and then press **OK**.

Personalising a profile

You can customise the default profiles to adjust your Vertu phone's characteristics so they best suit your own preferences and situation. For the silent profile, you can only change the vibrate setting.

To personalise a standard profile:

1. From the stand-by display, press **Menu » Settings » Profiles**.
2. Scroll to the profile that you want to customise and then press **Select**.
3. Scroll to **Personalise** and then press **Select**.
4. Scroll to one of the following options and then press **Select** to customise the profile:

Incoming call alert: selects how the phone notifies you of an incoming call, the available options are:

Ringing plays the ringing tone

Ascending makes the volume of the ringing tone increase the longer the call is unanswered

Ring once plays only one cycle of the ringing tone

Beep once plays a single beep

Off causes no ringing tone for an incoming call

Ringing tone: enables you to select the ringing tone for incoming calls

Ringing volume: sets the volume of your ringing tone (use + and -)

Incoming call video: selects the video shown for received calls

Vibrating alert: turns the vibrating alert **On** or **Off**

Message alert tone: selects the tone for received messages

E-mail alert tone: selects the tone for received e-mails

IM alert tone: selects the tone for received instant messages

Keypad tones: sets the volume of your keypad tones (use + and -)

End of list tone: turns the tone to indicate end of list **On** or **Off**

Other tones: sets other tones, for example, connecting accessories.

Application tones: turns the tones for applications **On** or **Off**

Alert for: to define which caller groups you want your Vertu phone to alert you for when you receive a call from someone belonging to a specified group

If you receive a call from someone who is not included in a specified caller group, an information note appears on the display, but your Vertu phone remains silent. See "Groups" on page 33 for more information.

Profile name: enables you to rename the selected profile (all of the preset profiles can be renamed except for **General**). Use the NUMBER keys to enter the new name.

Press **Save** when you have made your changes.

Themes

A theme defines the image that is used as a background on all of your Vertu phone menus.

To select a theme:

1. From the stand-by display, press **Menu » Settings » Themes**.
2. Scroll to the desired theme and press **Apply**.
3. Press **Options** at any time while scrolling through the themes to display the following options:

Details displays name, file size and creation date information

Type of view displays how the folders and files appear on the screen

Sort enables you to select the order in which files and folders are displayed (by name, date, format or size).

Tones

The tones settings menu allows you to personalise the tone settings of the selected active profile on your Vertu phone.

To personalise the tone settings:

1. From the stand-by display, press **Menu » Settings » Tones**.
2. Scroll to the tone type that you want to customise and then press **Change**.
3. Select a ringing tone from the list.

VERTU

Display

This allows you to receive cell information (network service) and to set display options.

Home screen mode

There are two options available for the Home screen, Classic and Services. The Classic style displays the traditional clock interface associated with the Signature range, while the Services home screen allows easy access to Vertu.Me and City Brief.

To personalise your Vertu phone's display view:

1. From the stand-by display, press **Menu » Settings » Display**.
2. Scroll to one of the following options and then press **Select**:

Homescreen contains two options, **Services** and **Classic**.

Services mode enables a home screen with quick access to City Brief and Vertu.Me using the left and right **NAVIGATION** keys.

Classic mode enables access to text messaging and (by default) Bluetooth using the left and right **NAVIGATION** keys.

Services mode is only available when the phone has been registered.

Glowing earpiece controls whether the breathing light in the phone pillow is activated (**On**) when the phone is in standby mode:

When the phone is in stand-by mode, the glowing earpiece flashes slowly

When the phone is in stand-by mode with a missed call or text message, the glowing earpiece flashes quickly

When the phone is in stand-by mode and charging the glowing earpiece light remains on constantly

Wallpaper enables you to add a background image when your phone is in standby mode

Standby font colour lets you change the font colour of the date and time in the stand-by mode. This is displayed only if the **Hide clock** is selected. See **“Date and time format” on page 38**.

Font size lets you select the font size used in Messaging, Contacts and Web

Cell info display displays the local area code on the stand-by display

Notification details lets you select to show or hide details, such as contact information in both missed call and message received notifications.

My shortcuts

With personal shortcuts you get quick access from the stand-by display to frequently used functions of your Vertu phone.

If the left **SELECTION** key is **Go to**, select **Go to » Options** and select from the following options to personalise your **Go to** menu:

Select options - to add or to remove a function

Organise - to rearrange the functions on your personal shortcut list.

Auto sorting on - dynamically displays the menu options you use most often at the top of the list

The auto sorting feature must be disabled for you to use the **Select options** and **Organise** functions.

Left selection keys

To select a function for the left **SELECTION** key:

1. From the stand-by display, press **Menu » Settings » My shortcuts » Left selection key**.
2. Scroll to the desired function and then press **Select**.

Right selection key

To select a function for the right **SELECTION** key:

1. From the stand-by display, press **Menu » Settings » My shortcuts » Right selection key**.
2. Scroll to the desired function and then press **Select**.

Navigation keys

Note that when the Setup wizard is run during initialization of the phone, once the terms and conditions are accepted, the left **NAVIGATION** key is automatically configured to access City Brief e-mail, while the right **NAVIGATION** key is configured for Vertu.Me.

To select a function for the different directions on the **NAVIGATION** key:

1. From the stand-by display, press **Menu » Settings » My shortcuts » Navigation key**.
2. Select the Up, Down, Left or Right functionality to be changed.
3. Press **Change**.
4. Scroll to the required shortcut from the list and press **Select**.



When **Services** mode has been selected as the home screen option, the left and right **NAVIGATION** keys are pre-assigned, and cannot be changed.

Connectivity

You can connect your Vertu phone to a compatible device using Bluetooth wireless technology or a USB data cable (CA-101V) connection. You can also define the settings for GPRS dial-up connections.

Bluetooth wireless technology

Your Vertu phone is compliant with Bluetooth Specification 2.0. You can use Bluetooth car kits, perform data transfer and use your Vertu phone as a modem.



Bluetooth driver compatibility information is available in the Vertu PC Suite help.

To ensure interoperability between other devices supporting Bluetooth technology, use Vertu approved enhancements for this model. Check with the manufacturers of other devices to determine their compatibility with this device.

There may be restrictions on using Bluetooth technology in some locations. Check with your local authorities or service provider.

Features using Bluetooth technology, or allowing such features to run in the background while using other features, increase the demand on battery power and reduce the battery life.

Bluetooth technology allows you to connect the phone to a compatible Bluetooth device within 10 meters (32 feet). Since devices using Bluetooth technology communicate using radio waves, your Vertu phone and the other devices do not need to be in direct line-of-sight, although the connection can be subject to interference from obstructions for example walls or from other electronic devices.

VERTU

Bluetooth settings

To define how your Vertu phone is recognised by other Bluetooth devices:

- From the stand-by display, press **Menu » Settings » Connectivity » Bluetooth**.
- Scroll to one of the options and then press **Select**:
 - Bluetooth** enables you to switch your bluetooth connection on and off
 - Connect audio enhan.** enables you to connect your phone with an audio enhancement and the device that you want to connect
 - Paired devices** enables you to add a new Bluetooth device and view existing devices already paired with your phone
 - Active devices** checks which Bluetooth connection is currently active
 - My phone's visibility** enables you to operate the phone in hidden mode to avoid malicious software
 - My phone's name** enables you to define the name that you want your Vertu phone to be recognised by on the network.



Do not accept Bluetooth connectivity from sources you do not trust. Alternatively, switch off the Bluetooth function. This will not affect other functions of your Vertu phone.

Bluetooth wireless connection

To make a Bluetooth wireless connection:

- From the stand-by display, press **Menu » Settings » Connectivity » Bluetooth**.
- Scroll to **Paired devices** and press **Select**.
- Select a device from the list of available devices or scroll to **Add new device** and press **Select**.
Your Vertu phone will automatically turn Bluetooth on if necessary and search for available devices.
- Scroll to the device to connect to and press **Add**.
- Enter a passcode if necessary and press **OK**.
A message is displayed when the device is connected successfully and the paired device is added to the **Paired devices** list.

To check which Bluetooth connection is currently active, scroll to **Active devices** and then press **Select**.

Select **Options** to access available options depending on the status of the device and the Bluetooth connection.

Micro-USB data cable

You can use the micro-USB data cable to transfer data between the phone and a compatible computer or a printer supporting PictBridge. You can also use the micro-USB data cable with Vertu PC suite.

To change the USB mode, select **Menu » Settings » Connectivity » USB data cable**.

To connect your phone using the micro-USB data cable:

- Connect the data cable. A message appears on the display **Select USB mode**:
- Select from the following options:
 - PC Suite** - to use the phone to interact with applications on a computer that has Vertu PC suite installed.
 - Printing & media** - to use the phone with a PictBridge compatible printer, or to connect the phone to a PC to synchronise it with Windows Media Player.
 - Data storage** - to connect to a computer that does not have Vertu software and use the phone as data storage.

Packet data



Your Vertu phone can use general packet radio service (GPRS) for high-speed data connections. With GPRS, you can stay connected to the mobile Internet and perform faster downloads without completing a dial-up connection. GPRS connectivity can be used to enhance MMS messaging, Web browsing sessions, e-mail, and PC dial-up. GPRS is typically billed as an "always-on" function and you are only charged for the data you transfer.

Enhanced GPRS (EGPRS), also known as EDGE (enhanced data rates for GSM evolution) is similar to GPRS but the connection is much faster. Contact your service provider for more information about supported data connections and tariffs.

When you have selected GPRS as a data bearer, the phone automatically uses EGPRS (EDGE) instead of GPRS if it is available in the network.

Packet data connection

To define when a GPRS connection is established:

- From the stand-by display, press **Menu » Settings » Connectivity » Packet data » Packet data conn.**
- Scroll to one of the following options and then press **Select**.
 - When needed** registers and establishes an (E)GPRS connection when an application using (E)GPRS needs it and closes the connection when the application finishes
 - Always online** sets your Vertu phone to automatically register to an (E)GPRS network when you switch on your Vertu phone. The  icon will appear to indicate that GPRS or EGPRS service is available. If you receive a call or a text message, or make a call during a GPRS or EGPRS connection, the  icon will appear to indicate that the GPRS or EGPRS connection is suspended.

Packet data settings

You can connect your Vertu phone to a compatible PC using Bluetooth wireless technology or a USB data cable connection. This allows you to use your Vertu phone as a modem to enable (E)GPRS connectivity from your PC.

To define the settings for (E)GPRS connections from your PC:

VERTU

1. From the stand-by display, press **Menu » Settings » Connectivity » Packet data » Packet data settings » Active access point**.
2. Scroll to the required access point and press **Activate**.
3. Scroll to **Edit active access pt.** and then press **Select**.
4. With **Alias for access point** highlighted, press **Select**.
5. Use the **NUMBER** keys to enter an alias for the active access point and then press **OK**.



You can also set the (E)GPRS dial-up service settings (access point name) on your PC using the One Touch Access application in Vertu PC Suite.

Data transfer

Synchronise your calendar, contacts data, and notes with another compatible device, for example a compatible PC, or a remote Internet server (network service).

Your Vertu phone allows data transfer with a compatible PC or another compatible device when using the phone without a SIM card. Note that when you use the phone without a SIM card, some functions appear dimmed in the menus and cannot be used. Synchronising with a remote Internet server is not possible without a SIM card.

Server sync is used to enable synchronisation of your Vertu.Me e-mails, contacts and calendar items.

Partner list

To copy or synchronise data from your Vertu phone, the name of the device and the settings must be in the list of partners in transfer contacts. If you receive data from another device, the partner is automatically added to the list, using the contact data from the other device. **Server sync** and **PC synchronisation** are the original items in the list.

To add a new partner to the list (for example a new device):

1. From the stand-by display, press **Menu » Settings » Connectivity » Data transfer » Options » Add transfer contact » Phone copy » Data to be copied**.
2. Mark the required settings according to the transfer type.

To edit the copy and synchronise settings:

1. Scroll to the required entry in the partner list and press **Options » Edit**.
2. Modify the settings accordingly.

To delete a partner from the list:

1. Scroll to the required entry in the partner list and press **Options » Delete**.
2. Confirm the **Delete transfer contact? %U** message.



You cannot delete Server synchronisation or PC synchronisation.

Data transfer with a compatible device

Bluetooth wireless technology can be used for synchronisation. The other device should be in the stand-by mode.

To start data transfer:

1. From the stand-by display, press **Menu » Settings » Connectivity » Data transfer**.

2. Scroll to the required entry in the Partner list (other than **Server sync** or **PC synchronisation**) and then press **Select**.

According to the settings, the selected data is copied or synchronised. The other device also must be activated for receiving data.

Vertu.Me synchronisation

In order to allow synchronisation of e-mails, calendar items and contacts in your Vertu.Me e-mail account on your Signature phone with your server based Vertu.Me mailbox, the default server must be set to Vertu.me as follows:

1. From the stand-by display, press **Menu » Settings » Connectivity » Data transfer » Server sync**.
2. Select **Options » Edit » Sync settings » Configuration** and **Select** Vertu Me.

Once set up, PIM data (calendar and contacts) can now be synchronised as follows:

1. From the stand-by display, press **Menu » Settings » Connectivity » Data transfer » Server sync**.
2. Your phone is now enabled for automatic synchronisation.

Synchronise from a compatible PC

Before you synchronise data from calendar, notes, and contacts with a PC, you must install the Vertu PC Suite software on a compatible PC. Use Bluetooth wireless technology, or a USB data cable for the synchronisation, and start the synchronisation from the PC.

Synchronise from a server

To use a remote Internet server, you must subscribe to a synchronisation service, e.g. Vertu Fortress (see "Vertu Fortress" on page 60). For more information and the settings required for this service, contact your service provider. You may receive the settings as a configuration message.

If you have saved data on the remote Internet server, to synchronise your Vertu phone, start the synchronisation from your phone:

1. From the stand-by display, press **Menu » Settings » Connectivity » Data transfer » Server sync**.
2. Depending on the settings, select **Initialising syn-chronisation** or **Initialising copy**.

Synchronising for the first time or after an interrupted synchronisation may take up to 30 minutes to complete, if the contacts or calendar are full.

Call settings

You can personalise the way your Vertu phone behaves during a call by using the call settings.

Call divert

The call divert feature redirects your incoming calls to another number, for example your voice mailbox number.

When a call is diverted your Vertu phone does not give any indication of an incoming call. The call divert feature is managed by your service operator and is not phone specific. The call divert feature may remain active even if your SIM card is not currently in a phone.

To manage your call divert settings:

VERTU

- From the stand-by display, press **Menu » Settings » Call » Call divert**.
- Scroll to one of the divert options:
 - All voice calls** forwards all calls to the number you specify
 - If busy** forwards all calls when you are in a call
 - If not answered** forwards all calls to another number when you do not answer. You can also set a delay before forwarding takes place
 - If out of reach** forwards all calls when your Vertu phone is turned off or out of the coverage area
 - If not available** forwards all calls when you do not answer, your Vertu phone is busy or turned off, or out of the coverage area. You can also set a delay before forwarding takes place
 - All fax calls** redirects all fax calls to a fax number
 - All data calls** forwards all data calls to a data mailbox.
- Press **Select**:
 - Activate** sets up the divert. Use the **NUMBER** keys to enter the divert number or select a contact and then press **OK**
 - Cancel** cancels the divert
 - Check status** displays the current status of the divert. A progress indicator appears, followed by an information note indicating whether the divert is active and to which number.
 - No call diverts** cancels all call diversions.



Canceling all call diversions may affect your ability to receive voice mail messages. Some service providers may not allow cancelling of all diversions. Contact your service provider for specific details.

Anykey answer

Anykey answer allows you to answer an incoming call by briefly pressing any key except the **POWER** key, **SELECTION** and **END** keys.

To change the anykey answer setting:

- From the stand-by display, press **Menu » Settings » Call » Anykey answer**.
- Scroll to **On** to enable Anykey answer, or **Off** to disable it and then press **Select**.

Automatic redial

Occasionally, your network may experience heavy traffic, or the called party is busy and you might not be able to make a call. With automatic redial activated, your Vertu phone redials the number up to 10 times, and notifies you once the network is available.

To change the automatic redial setting:

- From the stand-by display, press **Menu » Settings » Call » Automatic redial**.
- Scroll to **On** to enable automatic redial, or **Off** to disable it and then press **Select**.

Voice clarity

This feature enhances speech intelligibility especially in noisy environments.

To change the voice clarity setting:

- From the stand-by display, press **Menu » Settings » Call » Voice clarity**.
- Scroll to **Active** to enable voice clarity, or **Inactive** to disable it and then press **Select**.

Speed dialling

Single key speed dialling enables you to quickly dial a number by pressing and holding a single key.

To activate the speed dialling feature:

- From the stand-by display, press **Menu » Settings » Call » Speed dialling**.
- Scroll to **On** to enable speed dialling, or **Off** to disable it and then press **Select**.

To change the speed dial settings for your contacts, see "Speed dialling" on page 32.

Call waiting

Call waiting notifies you of an incoming call while you are in another call. You can accept, reject, or ignore the incoming call. Contact your service provider for more details.

To change the call waiting setting:

- From the stand-by display, press **Menu » Settings » Call » Call waiting**.
- Scroll to one of the options and then press **Select**:
 - Activate** enables call waiting
 - Cancel** cancels call waiting
 - Check status** displays whether the option is active and for which type of call.

To use the call waiting feature:

- When you have a call in progress and you receive an incoming call, you will hear an audible alert and the display indicates that another call is waiting. Press the **SEND** key to answer the call. The person you were speaking to is put on hold. Call waiting may not work correctly if **If busy** is set.
- Press the **SEND** key to swap between the calls. A confirmation message is displayed. The person on hold becomes the active call, and the other person is put on hold.
- Press the **END** key to end the active call. A confirmation message is displayed and the other call becomes active.
- Press **Options** then scroll to **End all calls** and then press **Select** to end all calls.

VERTU

Summary after call

Your Vertu phone can display the time spent on a call.

To change the call summary setting:

1. From the stand-by display, press **Menu » Settings » Call » Summary after call**.
2. Scroll to **On** to enable summary after call, or **Off** to disable it and then press **Select**.

Send my caller ID

Shows your phone number to the person you are calling.

To change the caller ID setting:

1. From the stand-by display, press **Menu » Settings » Call » Send my caller ID**.
2. Scroll to **Yes** to enable caller ID, **No** to disable it, or **Set by network** to use the setting agreed with your service provider and then press **Select**.

Send net caller ID

Shows your internet telephone username to the person you are calling. Send net caller ID must be supported by your Internet Call provider for it to be displayed.

To change the caller ID setting:

1. From the stand-by display, press **Menu » Settings » Call » Send net caller ID**.
2. Scroll to **Yes** to enable caller net caller ID or **No** to disable it and then press **Select**.

Phone settings

You can personalise the following options on your Vertu phone using this menu.

Language settings

1. From the stand-by display, press **Menu » Settings » Phone » Language settings**.
2. Scroll to one of the options and then press **Select**.
 - Phone language** enables you to set the display language of your Vertu phone. If you select **Automatic**, the phone selects the language according to the information on the SIM card
 - SIM language** enables you to select the USIM card language
 - Recognition lang.** enables you to set a language for the voice playback. See "Connectivity" on page 40.

Memory status

1. From the stand-by display, press **Menu » Settings » Phone » Memory status**.
2. Scroll through the options to see how much of your Vertu phone's memory is being used to store media, messages and applications and how much free space is available.

Automatic keyguard

To set the keys of your Vertu phone to lock automatically after a preset time delay when the phone is in the stand-by mode and no function of the phone has been used:

1. From the stand-by display, press **Menu » Settings » Phone » Automatic keyguard**.
2. Select **On**, and use the **NUMBER** keys to enter the time delay.



When the keyguard is on, calls still may be possible to the official emergency number programmed into your device.

Security keyguard

To set your Vertu phone to ask for the security code when you unlock the keyguard:

1. From the stand-by display, press **Menu » Settings » Phone » Security keyguard**.
2. Enter your Security code (see "Security code" on page 17) and select **On**.

Voice recognition

Call contacts and carry out phone functions by speaking a voice command.

Voice commands are language-dependent. Select **Menu » Settings » Phone » Voice recognition » Recognition lang.** and your language before using voice commands.

From the stand-by display, press **Menu » Settings » Phone » Voice recognition » Voice recog. training** to train the voice recognition of your phone to your voice.

To activate a voice command for a function:

1. From the stand-by display, press **Menu » Settings » Phone » Voice recognition » Voice commands**.
2. Select a feature and a subsequent function.

To activate a deactivated voice tag, select **Add**.

To play the activated voice command, select **Play**.

To manage the voice commands, scroll to a function, and select **Options** and from the following:

- Edit** to rename the voice command
- Remove** to deactivate the voice command
- Add all** to activate all voice commands
- Restore all** to deactivate voice commands for all functions in the voice commands list

To use voice commands, see "Voice dialling" on page 14.

VERTU

Flight mode

You can deactivate all radio frequency functionality and still have access to offline games, calendar and phone numbers. Use Flight mode in areas sensitive to radio emission, on board aircraft and in hospitals.

When **Flight query** is enabled, your Vertu phone will ask if you wish to switch to Flight mode when you switch the phone on. To activate or deactivate Flight mode query:

1. From the stand-by display, press **Menu » Settings » Phone » Flight query**.
2. Scroll to **On** or **Off** and then press **Select**.

In Flight mode you can make an emergency call. Enter the emergency number, press the **CALL** key and select **Yes** when asked if you want to exit the Flight mode profile. The phone attempts to make the emergency call and then automatically reverts to General profile when the call has ended.

To manually activate or deactivate Flight mode profile:

1. From the stand-by display, press **Menu » Settings » Profiles » Flight » Activate** or **Personalise**.

To deactivate the Flight mode, select any other profile.

Phone updates

Enables you to update your phone's software if there is an update available.

1. From the stand-by display, press **Menu » Settings » Phone » Phone updates**.
2. Select one of the following options:
 - Current softw. details** displays current phone software details
 - Downl. phone softw.** enables new phone software to be downloaded
 - Install softw. update** enables newly downloaded software to be installed on your phone
 - Software update provider** displays your software update provider
 - Automatic SW update check** enables your phone to automatically check for updates **Every month**, **Every 3 months** or **Never**.

Operator selection

You can select your network operator manually or your Vertu phone will select one automatically. See "Set up manual roaming" on page 62.

To change your operator selection setting:

1. From the stand-by display, press **Menu » Settings » Phone » Operator selection**.
2. Scroll to one of the options and then press **Select**:
 - Manual** displays all the locally available networks. Select the one you want to use.
 - Automatic** selects the default network for the area you are in.

Start-up tone

To select whether or not your Vertu phone plays a tone when the phone is switched on:

1. From the stand-by display, press **Menu » Settings » Phone » Start-up tone**.
2. Scroll to **On** or **Off** and then press **Select**.

Enhancements

This menu is shown only if the phone is or has been connected to a compatible mobile accessory, such as a desk stand, charger or headset.

1. From the stand-by display, press **Menu » Settings » Enhancements**.
2. Scroll to one of the options and then press **Select** (available options will depend upon the enhancement selected):
 - Default profile** enables you to select the profile that you want to be automatically activated when you connect to the selected enhancement
 - Automatic answer** sets the phone to answer an incoming call automatically after 5 seconds. If Incoming call alert is set to **Beep once** or **Off**, automatic answer is off
 - Lights** sets the lights permanently **On** or select **Automatic** to set the lights on for 15 seconds after a key press.

Configuration

You can configure your Vertu phone with settings that are required for certain services to function correctly. These services include multimedia messaging, synchronisation, e-mail, streaming and browser. Use the Order Settings link from your CD-ROM to take you directly to the appropriate page on the Vertu web site to obtain the settings for your phone.

1. From the stand-by display, press **Menu » Settings » Configuration**.

2. Scroll to one of the options and then press **Select**:

Web config. settings only the configurations that support the browsing service are shown. Select a service provider, Default, or Personal configuration for browsing.

Default config. sett. displays the service providers saved in the phone. Scroll to a service provider, and select **Details** to view the applications that the configuration settings of this service provider support

- > *To set the configuration settings of that service provider as default settings, press **Options » Set as default**. To delete configuration settings, select **Delete**.*

Act. def. in all apps. activates the default configuration settings for supported applications.

Preferred access pt. displays the saved access points. Scroll to an access point and press **Options**. With **Details** highlighted, press **Select** to view the name of the service provider, data bearer, and packet data access point or GSM dial-up number for that access point.

Connect to support downloads the configuration settings from your service provider if this is supported by the service provider

Device manager sett. enables you to allow or disallow software and configuration updates.

Personal config. sett. enables you to add new personal accounts for various services, and to activate or delete them.

- > *To add a new personal account if you have not added any, select **Add**, otherwise, press **Options** and with **Add new** highlighted, press **Select**. Scroll to the required service type and then press **Select**. Use the NUMBER keys to enter each of the required parameters. The parameters differ according to the selected service type*
- > *To delete or activate a personal account, scroll to it, press **Options**, scroll to either **Delete** or **Activate** and then press **Select**.*



Due to the complexity of entering all of the settings manually, it is strongly recommended that you use the order settings link from your CD-ROM to take you directly to the appropriate page on the Vertu website to obtain the settings for your Vertu phone.

Security

Your Vertu phone includes security options for the phone, SIM card, memory and calls.



When security features that restrict calls are in use (such as call barring, closed user group, and fixed dialling) calls are still possible to the official emergency number programmed into your device.

To configure your security settings:

1. From the stand-by display, press **Menu » Settings » Security**.
2. Scroll to one of the following options and then press **Select**:

PIN code request lets you select whether a code is required when switching on your phone. The SIM card may require that the code is always asked for

Call barring service restricts incoming calls and outgoing calls. A barring password is required.

Closed user group specifies a group of people you can call and who can call you

Security level sets the security code whenever a new SIM card is inserted into the phone

Access codes changes the security codes that protect the phone and memory. Change either the **Create security code**, **Change PIN code**, **Change PIN2 code** or the **Change barring pass**.

Code in use selects whether the PIN code is active

PIN2 code request selects whether the PIN2 code is required when using a specific phone feature which is protected by the PIN2 code. Some SIM cards do not allow the code request to be turned off

Authority certificates displays the list of authority certificates downloaded into your phone

User certificates displays the list of user certificates downloaded into your phone

Security module sett. See "Security module" on page 18.

Workshop reset

To restore your Vertu phone's original settings:

1. From the stand-by display, press **Menu » Settings » Workshop reset » Restore settings only**.
2. Use the NUMBER keys to enter the security code.



Data you have entered or downloaded, for example names and phone numbers saved in Contacts, are not deleted.

To restore all your Vertu phone's original settings and delete user data, e.g. phonebook entries:

1. From the stand-by display, press **Menu » Settings » Workshop reset » Restore all**.

Use the NUMBER keys to enter the security code

Sync and backup

To synchronise or back up your Vertu phone data with another device:

Select **Menu » Settings » Sync and backup** and from following options.

Phone switch to synchronise or copy selected data between your phone and another phone using Bluetooth

Create backup to create a backup of selected data

Restore backup to select a backup file and restore it to the phone. Select **Options » Details** for information about the selected backup file

Server sync to synchronise or copy selected data between your phone and another device, PC or network server (network service).

Setup Wizard

When you switch on your Vertu phone for the first time, the Setup Wizard helps you set up your phone. You can run this wizard at any time if necessary.

Refer to "Setup Wizard" on page 6 for further details of the Setup Wizard.

To run the Setup Wizard again at any time:

From the stand-by display, press **Menu » Settings » Setup wizard**.

Location Services

Location services relate to the use of the phone on the internet.

You can disable all location based data charging features, such as those used for Accurate time & Vertu City Brief. You may wish to turn off these features to avoid high roaming fees while travelling.

Connection mode

To turn Location services on or off:

1. From the stand-by display, press **Menu » Settings » Location Service » Connection mode**.
2. The options are **Always, In home network** and **Off**. When set to Off the Location Services are off.

Locate now

The location service is responsible for maintaining accurate time on your phone, as it requests Accurate time information from the network. Locate now is used to force a connection to the location service.

To force a connection to the location service:

1. From the stand-by display, press **Menu » Settings » Location Service » Locate now**.
2. A message displays stating **Connecting to server** as the phone attempts to access the location service.

Digital rights management

Digital rights management (DRM) is copyright protection, designed to prevent modification and to limit distribution of protected files.

When you download protected files, such as sound, video, themes, or ringing tones to your phone, the files are free, but locked. You pay for the key to activate the file, and the activation key is automatically sent to your phone when you download the file.

To view the permissions for a protected file:

Scroll to the file, and select **Options » Activation** keys. For example, you can see how many times you can view a video or how many days you have left for listening to a song.

To extend the permissions for a file:

Scroll to the file, select **Options**, and the corresponding option for the file type, such as **Activate theme**.

You can send certain types of protected files to your friends, and they can buy their own activation keys.

If your device has OMA DRM protected content, the only way to back up both the activation keys and the content is to use PC suite. Other transfer methods may not transfer the activation keys which need to be restored with the content for you to be able to continue the use of OMA DRM protected content after the device memory is formatted. You may also need to restore the activation keys in case the files on your device get corrupted.

Copyright protections may prevent some images, music (including ringing tones), and other content from being copied, modified, transferred or forwarded.

This phone supports OMA DRM 1.0 and 2.0.

SIM services

Your SIM card may provide additional services. You can access this menu only if it is supported by your SIM card. The name and contents of the menu depend on the available services.

For availability and information on using SIM card services, contact your SIM card vendor. This may be the service provider, network operator, or other vendor.

To set the phone to show you the confirmation messages sent between your Vertu phone and the network when you are using the SIM services:

1. From the stand-by display, press **Menu » Settings » Phone » Confirm SIM actions**.
2. With **Yes** highlighted, press **Select**.



This option is shown only if supported by your SIM card.

Accessing these services may involve sending messages or making a phone call for which you may be charged.

(E)GPRS, HSCSD and CSD

With your Vertu phone you can use the enhanced GPRS (EGPRS), general packet radio service (GPRS), high speed circuit switched data (HSCSD) and circuit switched data (CSD, GSM data) data services.

For availability and subscription to data services, contact your network operator or service provider.

The use of HSCSD services consumes the phone battery faster than normal voice or data calls. You may need to connect the phone to a charger for the duration of data transfer.

See "Packet data settings" on page 41.

7 ADDITIONS

Your Vertu phone has a multimedia player with which you can view, play, and download files, such as images, audio, video, and animated images. You can also view compatible streaming videos from a network server (network service).

Gallery

You can save images, video clips, graphics, ringing tones and recordings to folders in the gallery, and add new folders to the ones already there. You can download images and tones using MMS, mobile Internet sites, or Vertu PC Suite. The Gallery contains two types of memory: phone memory and Media memory. Files can be stored on either memory, but there is much more storage space available on the Media memory.

Your Vertu phone supports a digital rights management system to protect content that you have acquired. A piece of content, for example a ringing tone, can be protected and associated with certain usage rules, for example, the number of usage times or a certain usage period. The rules are defined in the content activation key that can be delivered with the content or separately, depending on the service provider. You may be able to update these activation keys. Always check the delivery terms of any content and activation key before acquiring them, as they may be subject to a fee.

Copyright protection may prevent some images, ringing tones, and other content from being copied, modified, transferred, or forwarded.

Your Vertu phone has a limited memory for storing files in the Gallery. This memory is not shared with other functions, for example contacts. If the phone displays a message that the memory is full, delete some existing files before proceeding.

Folders

To browse the folders in your Vertu phone:

1. From the stand-by display, press **Menu » Additions » Gallery**. A list of folders is displayed:

Images

Video clips

Music files

Graphics

Recordings

Received files

App. downloads

App. downloads

Theme downl.

These are preset in the phone. Other user-defined folders may also be shown.

2. Scroll to a folder, and press **Open** to view the folders and files it contains.
3. Or, press **Options** to see a list of the actions you can perform on the folder:

Downloads to view downloads stored on your Vertu phone. Choose from Graphic, Tone, Video, Theme or Music downloads.

Delete folder to delete a folder you have created. You cannot delete a preset folder

Move folder to move the selected folder into another folder

> After selecting **Move folder**, scroll to another folder, and then press **Options**. With **Move folder** highlighted, press **Select**. You cannot move a preset folder

Copy folder to copy your folder to another folder. You cannot copy a preset folder

Rename folder to rename a folder you have created. You cannot rename a preset folder

Details to show the name, size and date of creation of the selected folder

Type of view to determine how the content of the folder will be displayed, either **List with details**, **List** or **Grid**

Sort to sort the contents of the selected folder **By name**, **By date**, **By format**, or **By size**

Add folder to create a new sub folder for your files

Memory status to examine how the memory in your Vertu phone is being used and how much you have left

Search to enter a filename or part of a filename to search for in this folder

Mark to select a folder

Mark all to select all folders.

Files

To use the files in your folders:

1. From the stand-by display, press **Menu » Additions » Gallery**.
2. Scroll to the folder you require and then press **Open**.
3. Scroll through the sub folders to locate the file item you want to use, and press **Open**.
4. Or, press **Options** to see a list of actions that can be performed on the file (these will be dependent upon the type of file you have selected):

Downloads to view downloads stored on your Vertu phone. Choose from Graphic, Tone, Video, Theme or Music downloads.

Use or **Apply** to activate the file

Delete to remove the file from your Vertu phone

Send to send the selected file as a multimedia message. This option is unavailable if the selected file is copyrighted

Move to move the selected file into another folder

Copy to copy the selected file to another folder, while leaving a copy in its current folder also

Rename to rename the selected file

Print to print file. Send the file to a compatible printer via a data cable or Bluetooth connection

Details to show the name, size, and date of creation of the selected file

Type of view to change the way the files are displayed. Choose from **List with details**, **List** or **Grid**

Sort to change the order in which the files are displayed. Choose from **By name**, **By date**, **By format** or **By size**

Open in sequence to view a series of files in listed order.

Add folder to add a new folder

Memory status to view the current memory status. Choose from Phone memory or Media memory. The memory status details how much memory is being used by each application

Search to enter a filename or part of a filename to search for in this folder

Mark to select a file

Mark all to select all files in the folder

Games and applications

Your Vertu phone may include one or more games and applications.

To launch a game:

1. From the stand-by menu, press **Menu » Additions » Applications**.
2. Scroll to the desired game, and press **Open**.

To download an application:

Your phone supports J2ME Java applications. Make sure that the application is compatible with your phone before downloading it.



Only install and use applications and other software from sources that offer adequate security and protection against harmful software.

You can download new Java applications and games using the Vertu Application Installer from Vertu PC Suite. You can also download and install applications over-the-air.



For the availability of different services, pricing, and tariffs, contact your service provider.

Your device may have some bookmarks loaded for sites not affiliated with Vertu. Vertu does not warrant or endorse these sites. If you choose to access them, you should take the same precautions, for security or content, as you would with any Internet site.

Calculator

The calculator in your Vertu phone adds, subtracts, multiplies, divides, calculates the square and the square root.

To perform a calculation:

1. From the stand-by display, press **Menu » Additions » Calculator**.
2. When 0 is displayed, enter the first number in the calculation.



Press # to enter a decimal point.

*Press * to display more functions.*

3. Use the **NAVIGATION** key to select the function you want to perform.
4. Enter the second number.
5. Press the = sign to display the result on the bottom line of the screen.

To start a new calculation, use **Clear**.

Press **Options** to access the Scientific calculator, Loan calculator or Instructions.

Music player

Your Vertu phone includes a music player for listening to music tracks, recordings or other MP3, MP4, AAC, eAAC+ or Windows Media.

With the music player you can download, view, and play compatible audio and video files in a variety of formats.

Your Vertu phone can play music tracks, recordings or other MP3 or AAC sound files that you have transferred to the phone with the Audio Manager application (part of Vertu PC Suite), BT or USB cable or web.

Music files stored in a folder in the phone memory or in a folder of the Media memory, will automatically be detected and added to the default track list.

Playing the music tracks

To play the music tracks:

1. From the stand-by menu, press **Menu » Additions » Music player**.



Warning! Listen to music at a moderate level. Continuous exposure to high volume may damage your hearing.

2. Scroll to one of the following options to find the track you want to listen to:

All songs lists all songs stored on your phone

Playlists shows all playlists you have created and stored on your phone

Artists lists the songs by artist name

Albums lists the songs by album title

Genres lists the songs by genre type

Videos lists all video files stored on your phone.

3. Press **Open** to open the file. Press **Play** to start the track.

4. Use the following commands to control the Music player:

Press the **CENTRE SELECT** key to play or pause

Move the **NAVIGATION** key up to open the Music player menu and scroll up

Move the **NAVIGATION** key down to open the Music player menu and scroll down

Move the **NAVIGATION** key left to go to previous track

Move the **NAVIGATION** key right to go to next track

5. Press **Options** to access the Music player options (see "Music player settings" below).

6. Press the **END** key to close the music player.

To stop the music player, press the **STOP** key.

If music is still playing after you exit the music player, you can stop the music player by pressing and holding the **END** key.

When you open the Music player menu, the details of the first track on the default track list are shown.

Music player settings

To change the music player settings:

1. From the stand-by menu, press **Menu » Additions » Music player**.
2. Press **Options** from the Music player menu and scroll to one of the following:

Downloads to access tracks from the following options:

Bookmarks to open the web bookmarks

Go to address to enter the address of a mobile Internet service and then press **OK**

Streaming settings to set the connection settings for the media service. Contact your service provider for information about connection settings. You may receive the streaming settings as a connection settings message from the Vertu web site for your service provider.

Update library to update your music library with your latest downloads

Music libr. details to view data on the number of songs stored on your phone, memory used and last updated date.

3. Press **Options** while a track is playing and select one of the following:

Go to Music menu to return to the main music player menu

Now playing to show details of the current track

Settings to access the following features:

Shuffle to play a random choice of your stored tracks

Repeat to repeat a track

Music player theme to select the format of your music player.

Downloads to access tracks via the web

Mute audio to mute the current track

Web page to access a Web page associated with the currently played track. Dimmed if no Web page is available

Play via Bluetooth connects to a Bluetooth audio accessory

VERTU

Voice recorder

You can record speech or an active call, and save the recordings in the gallery. This is useful, for example, when recording a name and phone number to write down later.

The recorder cannot be used when a data call or GPRS connection is active.

Record sound

To make a voice recording:

1. From the stand-by display, press **Menu » Additions » Voice recorder**.
2. To start the recording, with the **RECORD** button highlighted, press **Select** and then record your message.
3. To stop the recording, with the **STOP** button highlighted, press **Select**. The recording is saved in the **Recordings** folder of the Media memory by default.

Record a phone call

To record a phone call:

1. During a call, press **Options**.
2. Scroll to **Record** and then press **Select**. While the call is being recorded, all parties to the call can hear a beeping sound every five seconds.
3. To stop recording, with the **STOP** button highlighted, press **Select**. The recording is saved in the **Recordings** folder of the gallery.

When recording a call, hold the phone in the normal position near to your ear.

Voice recorder options

Immediately before or after a recording, press **Options** to view the following:

Play last recorded to listen to the latest recording

Send last recorded to attach the recording to a Multimedia or Audio message or to send via Bluetooth

Recordings list to see the list of recordings in Gallery

Select memory to choose recording file destination. Choose from **Media memory** or **Other folder**.

Notes

You can write yourself notes as reminders, but these are not associated with the calendar and do not alert you with an alarm.

Creating notes

To create a note:

1. From the stand-by display, press **Menu » Additions » Notes**.
2. Press **Add**.
3. Use the **NUMBER** keys to write the note and press **Save**.

A message confirms that the note is saved.

Viewing notes

To view a note:

1. From the stand-by display, press **Menu » Additions » Notes**.
2. Scroll to the note you want to view and press **View**.

Editing notes

To edit a note:

1. From the stand-by display, press **Menu » Additions » Notes**.
2. Scroll to the note you want to edit and press **View » Edit**.
3. Use the **NUMBER** keys to make the required changes to the note and press **Save**.

Sending notes

You can send a note to another phone using Bluetooth or the messaging service or convert it to a message.

To send a note as a text message:

1. From the stand-by display, press **Menu » Additions » Notes**.
2. Scroll to the required note and press **Options**.
3. Press **Send note » Send as message**.
4. Press **OK** to send the note.

A message confirms that the note is being sent.

To send a note using Bluetooth:

1. From the stand-by display, press **Menu » Additions » Notes**.
2. Scroll to the required note and press **Options**.
3. Press **Send note » Via Bluetooth**.
4. Highlight the device you want to send the note to, and then press **Select**.

A message confirms that the note is being sent.

Deleting notes

You can delete notes one at a time or all at once.

To delete one note:

1. From the stand-by display, press **Menu » Additions » Notes**.
2. Scroll to the required note and press **Options » Delete**.
3. Press **Yes** to confirm deletion.
4. A message confirms that the note has been deleted.

To delete all notes:

1. From the stand-by display, press **Menu » Additions » Notes » Options » Delete all notes**.
2. Press **Yes** to confirm deletion.

A message confirms that all of the notes have been deleted.

8 CALENDAR

Your Vertu phone Calendar has the following functions:

- > *Calendar*
- > *Notes*
- > *To-do list*

Calendar

Your Vertu phone has a calendar where you can add notes about meetings, calls, birthdays, memos and reminders.

In order to synchronise the contacts on your phone with your Vertu.Me e-mail account, refer to "Vertu.Me synchronisation" on page 45.

Opening the calendar

To open the calendar:

1. From the stand-by display, press **Menu » Calendar**.
2. The current month is displayed, with today highlighted. Press the **NAVIGATION** key to move to different dates.

When there is a note associated with a date, the date will be highlighted.

Calendar settings

On the **Settings** menu you can change the following characteristics of the calendar:

- > **Date & time settings**
- > *Select the **Default view***
- > *Select the day that **Week starts on***
- > *Select a **Calendar tone***
- > *Select how often to **Auto-delete notes***

Date and time settings



You can only set the time and date from the calendar settings if automatic updating of time and date is not active. For further information refer to "Time Management" on page 38.

To adjust the date and time settings:

1. From the stand-by display, press **Menu » Calendar**
2. Press **Options** and scroll down to **Settings**.
3. Press **Select** and **Date & time settings**.
4. Scroll to one of the following options and then press **Select** to customise the time settings:

Date: enables you to use the **NUMBER** keys to set the date on the phone

Time: enables you to use the **NUMBER** keys to set the time on the clock

Time zone: enables you to set the valid offset from GMT

Daylight saving: enables you to select between Wintertime or Summertime (+1 or +2 hours) daylight saving periods.

5. Scroll down and select **Save** to confirm your settings.

Selecting the default view

You can configure the calendar on your Vertu phone to default to month view or week view.

To set the default view:

1. From the stand-by display, press **Menu » Calendar » Options » Settings » Default view**.
2. Highlight the required view and then press **Select**.

A message confirms which default view has been selected. You need to exit and re-open calendar to activate the changes.

Selecting when the week starts

The calendar can display the week starting on Saturday, Sunday or Monday.

To select a day that the week starts on:

1. From the stand-by display, press **Menu » Calendar » Options » Settings » Week starts on**.
2. Highlight the required day and then press **Select**.

A message confirms which day the week starts on.

Selecting a calendar tone

To select a tone for the calendar:

1. From the stand-by display, press **Menu » Calendar » Options » Settings » Calendar tone**.
2. Select **Standard** for standard tone or **Open Gallery** to choose from a tone stored in the Gallery folders.
3. Press **Select** to confirm the new settings.

Calendar Notes

Notes enables you to make a note associated to a date and time.

To make a note:

1. From the stand-by display, press **Menu » Calendar**.
2. Scroll to the date you want to make a note for.
3. Press **Options » Make a note**.
4. Select from the following options:

Reminder - enables you to use the **NUMBER** keys to enter a title for the reminder and set an alarm.

Meeting - enables you to use the **NUMBER** keys to enter details about a meeting: subject, location, start and finish date and times and set an alarm

Call - enables you to use the **NUMBER** keys to enter details about a phone call: phone number, name and time details and set an alarm

Birthday - enables you to use the **NUMBER** keys to enter details about a birthday: name, year of birth, and set an alarm

VERTU

Anniversary - enables you to use the **NUMBER** keys to enter details about an anniversary: name, occasion, date, year and set an alarm

Memo - enables you to use the **NUMBER** keys to enter details about a memo: subject, start date, end date and set an alarm

Viewing notes

If there are notes for a day, the date will be highlighted. You can view notes for a particular day or for the whole week.

To view the notes for a day:

1. From the stand-by display, press **Menu » Calendar**.
2. With the required day highlighted, press **View**.
3. The notes for that day will be displayed.

Viewing notes for a week

To view notes for a week:

1. From the stand-by display, press **Menu » Calendar**.
2. Scroll to a day in the week of interest.
3. Press **Options » Week view**.
4. The week is displayed showing any notes.

Editing notes

To edit a note:

1. From the stand-by display, press **Menu » Calendar**.
2. With the required day highlighted, press **View**. The notes for that day will be displayed.
3. Press **Options » Edit** to open the note for editing.
4. Edit the details as required and press **Save**.

Moving notes

You can move a note to a different date and time.

To move a note:

1. From the stand-by display, press **Menu » Calendar**.
2. With the required day highlighted, press **View**.
3. Press **Options » Move**.
4. Enter a new date and time and then press **OK**.
5. Set an alarm if required and then press **OK**.

A message confirms that the note has been moved.

Sending a note

To send a note using the calendar:

1. From the stand-by display, press **Menu » Calendar**.
2. With the required day highlighted, press **View**.
3. Press **Options » Send note » Via calendar**.
4. Key in the phone number or press **Search** to use the **Contacts** list.
5. Press **OK** to send the note.

Copying notes

You can copy a note to another date and time.

To copy a note:

1. From the stand-by display, press **Menu » Calendar**.
2. With the required day highlighted, press **View**.

3. Press **Options » Copy**.
4. Key in the new date and then press **OK**.
5. Key in the new time and then press **OK**.

A message confirms that the note has been copied.

Auto-deleting notes

Your Vertu phone can delete notes automatically. Notes can be deleted after one day, one week or one month.

To auto-delete notes:

1. From the stand-by display, press **Menu » Calendar » Options » Settings » Auto-delete notes**.
 2. Highlight the required frequency, or **Never** and then press **Select**.
- A message confirms whether auto-delete is activated or not.

To-do list

The To-do list enables you to create notes for tasks you have to do.

You can send a to-do note to another phone as a text message, or as a multimedia message or by Bluetooth. You can also save a to-do note to the calendar.

Opening the to-do list

To open the to-do list:

From the stand-by display, press **Menu » Calendar » Options » Go to to-do list**.

Any to-do notes will be displayed.

Creating a to-do list

To create a to-do list:

1. From the stand-by display, press **Menu » Calendar » Options » Go to to-do list**.
2. Press **Add**.
3. Use the **NUMBER** keys to enter **Subject:** details.
4. Select **High, Medium** or **Low** priority using the left and right **NAVIGATION** keys. The priority determines where the to-do note will be displayed in your list of to-do notes. High priority notes are displayed at the top of the list, whilst low priority notes are displayed at the bottom of the list.
5. Use the **NUMBER** keys to enter the due date and time and set an alarm if required.
6. Then select **Save**.

A message confirms that the To-do note is saved.

To change the priority, view the to-do note and select the deadline option. You can also mark notes as done, edit and delete them.

Deleting a to-do list

To delete a to-do list

1. From the stand-by display, press **Menu » Calendar » Options » Go to to-do list**.
2. Scroll to the desired to-do note and press **Options**.
3. Scroll to **Delete** or **Delete all notes** and then press **Select**.
4. Press **Yes** to confirm.

A message confirms the deletion.



*If you mark your to-do notes as completed when you have finished your tasks, you can select **Delete done notes** to delete all the completed to-do notes at once.*

VERTU

9 ALARM CLOCK

You can set your Vertu phone to sound an alarm at a desired time. The alarm will sound even if your Vertu phone is switched off.

If you are using the Accurate time feature, you do not need to reset the alarm when you reach your destination. Your Vertu phone automatically adjusts to the local time, and any preset alarms sound at the usual time.

For information about the Accurate time feature, refer to "Time Management" on page 38.

Setting the alarm

To set the alarm:

1. From the stand-by display, press **Menu** » **Alarm clock**.
2. Use the **NUMBER** keys to enter the time you want the alarm to sound.
3. Press **Options** and use the up and down **NAVIGATION** keys to set the alarm details.

Alarm: use the left and right **NAVIGATION** keys to toggle the alarm on and off.

Alarm time: displays the time the alarm is set for and can only be changed as above

Repeat: use the left and right **NAVIGATION** keys to toggle the repeat feature on and off. Setting the repeat feature to **On** means that the alarm will sound every day at the specified time

Repeat days: press **Options** and **Change** to select the days on which you want the alarm to repeat. This option is only available if **Repeat:** is switched **On**

Alarm tone: use the left and right **NAVIGATION** keys to select an alarm tone

Classic is the default alarm tone

Open Gallery enables you to select a tone from the gallery files on your Vertu phone

Alarm Tones enables you to select a tone from a list

Tone downloads enables you to select and download a tone from website

Snooze time-out: use the **NUMBER** keys to enter the snooze time-out in minutes

4. Select **Save** when complete.

A message confirms that the alarm is on and a small bell icon is visible on the stand-by display.

If the clock is displayed in **Analogue** mode, a red alarm indicator is displayed on the face of the clock in stand-by mode. The alarm indicator displays the time that the alarm is set for.



Cancelling the alarm

To cancel the alarm:

1. From the stand-by display, press **Menu** » **Alarm clock** » **Turn alarm off**.

A message confirms that the alarm is off.

Changing the alarm time

1. From the stand-by display, press **Menu** » **Alarm clock** » **Change alarm time**.
2. Modify the alarm time, and press **OK** to save.

Turning off the alarm

To turn off a ringing alarm:

1. When the alarm sounds press **Stop**.
2. If your Vertu phone is switched off when the alarm sounds, a message asks if you want to switch the phone on. Press **Yes** to switch the phone on or press **No** to leave the phone switched off.



Do not press Yes when wireless phone use is prohibited or when it may cause interference or danger.

Activating the snooze function

To activate the snooze function:

1. When the alarm sounds press **Snooze**.
2. The alarm will sound again after the Snooze time-out duration defined when setting the alarm.
3. If you leave the alarm ringing, it will ring for approximately one minute and then go into snooze mode.

10 WEB

You can access various Web services on your Vertu phone.



Important: Use only services that you trust and that offer adequate security and protection against harmful software.

Check the availability of these services, pricing, tariffs, and instructions with your service provider.

Automatically setting up Web browsing

Depending on which service provider you use, your Vertu phone might already have Web settings installed so you might be able to browse the Web straight away. If you cannot connect to the Web, please contact Vertu Concierge or visit www.vertu.com on your computer and download your settings.

Manually setting up Web browsing

First, ensure that the correct configuration settings of the service that you want to use are activated.

To select the settings for connecting to the service:

1. From the stand-by display, press **Menu » Web » Web settings » Configuration sett.**
Only the configurations that support the browsing service are shown. Select a service provider, Default, or Personal configuration for browsing.
2. Scroll to **Account** and highlight a browsing service account contained in the active configuration settings and then press **Select**.
3. Scroll to **Displ. term. window**, highlight **Yes** and then press **Select** to perform manual user authentication for Internet connections.

Vertu mobile

Vertu Mobile is Vertu's presence on the Mobile Internet, tailored for handsets and carefully designed for being accessed on the go.

To open Vertu mobile:

From the stand-by display, press **Menu » Web » Vertu mobile**.

The following options can then be accessed:

- > **Discover** contains the latest Vertu news
- > **Where to buy** enables you to find an authorised Vertu retailer wherever you are in the world
- > **About Vertu** contains information about Vertu
- > **Recommend us** enables you to enter a friends mobile phone number and they will receive a text message providing a link to Vertu Mobile.

Home

By default, your home page is your network operator's home page.



Go to address

To enter a web page address:

1. From the stand-by display, press **Menu » Web » Go to address**.
2. Use the **NUMBER** keys to enter the service URL.

Browse pages

While you are browsing the Internet, the function of the phone keys may vary. Follow the text labels on the phone display and see below for more information.

 is shown on the top left of the display during browsing. If you receive a call or a text message while browsing,  indicates that the Internet connection is suspended while you receive the call or text message. When the call or text message ends, your Vertu phone reconnects the browsing session.

Exit

To exit the browser:

Either select **Options » Quit**, or press the **END** key.

Browse with phone keys

To browse through the page, scroll in any direction.

To select a highlighted item, press the **CALL** key, or press **Select**.

To enter letters and numbers, press the **NUMBER** keys. To enter special characters, press *****.

Options while browsing

Press **Options** to open a new list of options for browsing:

Press **Home** to return to your start page

Press **Bookmarks** to access the list of bookmarks

Press **Go to address** to enter a specific web page address

Press **Add bookmark** to save the page as a bookmark

Press **Navigation** to view browsing history, downloads or to reload the current page

Press **This page** to show the list of options for the active page

Press **Tools** to show a list of other options

Press **Settings** to view or change browsing settings. See "Settings" on page 58.

Press **Quit** to disconnect from a service.

The service provider may also offer other options.

Receive a bookmark

When you have received an address that is sent as a bookmark, the message **1 bookmark received** is displayed. The received bookmark is saved automatically to **Received files**. To view it, press **Show** and select **Bookmarks**.

Settings

Appearance settings

1. From the stand-by display, press **Menu » Web » Web settings**.
2. Scroll to **Display** and then press **Select**.
3. Scroll to one of the following options and then press **Select**:

Press **Font size** to set the font size

Press **Show images** and **No** to hide pictures on the page. This can speed up the browsing of pages that contain a lot of pictures

Press **Text wrapping** and **On** to set the text to continue on the next line on the display. If you select **Off**, the text is abbreviated

Press **Screen size** and **Full** or **Small** to set the screen layout

4. Scroll to **General** and press **Select**.

Press **Auto-fill** and **Enable** to enable your Vertu phone to complete fields for you

Press **Unicode (UTF-8) addr.** and **On** to set the phone to send a URL as a UTF-8 encoding. You may need this setting when you access a Web page created in foreign language

Press **Content encoding** to select the encoding for the browser page content

Press **JavaScript** and **Enable** to enable the Java scripts.

Security settings

Cookies

Cookies are parcels of information used by Web servers to differentiate a user and their preferences when navigating a website or services such as online shopping. Cookies are saved in the cache memory of your Vertu phone. Cookies are saved until you clear the cache memory.

To allow or prevent the phone from receiving cookies, while browsing:

1. From the stand-by display, press **Menu » Web » Web settings » Security » Cookies**.
2. Select **Allow** or **Reject**.

Unsecure content

To set an alert when a secure page contains an unsecure item.

1. From the stand-by display, press **Menu » Web » Web settings » Security » Alert for unsecure**.
2. Press **Yes** to set the phone to alert when a secure page contains an unsecure item.

These alerts do not guarantee a secure connection.

Scripts over secure connection

You can select whether to allow the running of scripts from a secure page. The phone supports WML scripts.

From the stand-by display, press **Menu » Web » Web settings » Security » WMLscript » Allow** or **Reject**.

Clear the cache

A cache is a memory location that is used to store data temporarily. If you have tried to access or have accessed confidential information requiring passwords, empty the cache after each use. The information or services you have accessed is stored in the cache.

To empty the cache:

From the stand-by display, press **Menu » Web » Clear the cache**.

Browser security

Security features may be required for some services, for example online banking or shopping. For such connections you need security certificates and possibly a security module, which may be available on your SIM card. For more information, contact your service provider.

Security module

The security module improves security services for applications requiring a browser connection, and allows you to use a digital signature. The security module may contain certificates as well as private and public keys. The certificates are saved in the security module by the service provider.

To view or change the security module settings:

From the stand-by display, press **Menu » Settings » Security » Security module settings**.

Certificates



Important: Even if the use of certificates makes the risks involved in remote connections and software installation considerably smaller, they must be used correctly in order to benefit from increased security.

The existence of a certificate does not offer any protection by itself; the certificate manager must contain correct, authentic, or trusted certificates for increased security to be available.

Before changing any certificate settings, you must make sure that you really trust the owner of the certificate and that the certificate really belongs to the listed owner.

There are two kinds of certificates:

- > *server certificates*
- > *user certificates.*

You may receive these certificates from your service provider. User certificates may also be saved in the security module by the service provider.

To view the list of the user certificates downloaded into your Vertu phone:

From the stand-by display, press **Menu » Settings » Security » User certificates.**



This icon is displayed during a secure browsing session



This icon is displayed during an unsecured browsing session

Digital signature

You can make digital signatures with your Vertu phone if your SIM card has a security module. Using the digital signature can be the same as signing your name to a paper bill, contract, or other document.

To make a digital signature:

1. Select a link on a page, for example, the title of the book you want to buy and its price. The text to sign, which may include the amount and date, is shown.
2. Check that the header text is **Read** and that the digital signature icon is shown.
3. If the digital signature icon does not appear, there is a security breach and you should not enter any personal data, for example your signing PIN.
4. To sign the text, read all of the text first, and press **Sign**.
5. The text may not fit within a single screen. Therefore, make sure to scroll through and read all of the text before signing.
6. Select the user certificate you want to use. Use the **NUMBER** keys to enter the signing PIN, and select **OK**. The digital signature icon disappears, and the service may display a confirmation of your purchase.

VERTU

11 VERTU SERVICES

Vertu services contains software and services available only to Vertu owners.



Important: Use only services that you trust and that offer adequate security and protection against harmful software.

To use Vertu services:

1. Go to <https://www.vertume.com>.
2. Register your Vertu phone or login (if you have previously registered).
3. Use the menu on the website to select your choice of services.

You must also have valid Internet settings on your Vertu phone and there must be GPRS network coverage in your current location.

Depending on which service provider you use, your Vertu phone might already have Internet settings installed. If you cannot connect to the Internet, please contact Vertu Concierge or visit www.vertu.com and download your settings.

Your service provider will charge you for the amount of data transferred by GPRS, so please check their tariff first.

To access Vertu Services, from the stand-by display select: **Menu » Vertu Services** and choose the appropriate option.

Vertu Select

Vertu Select delivers original articles selected to inspire, inform and entertain based on your region, preferences and passions.

Written by carefully selected global journalists, experts and organizations these can be viewed from the Vertu Select link following registration.

Vertu Select is also the channel where we deliver to you unique opportunities and experiences relevant to your location, all accessible by pressing the Vertu Concierge button.

Vertu Select is available in English, Russian, Mandarin, Simplified Chinese, Arabic, Italian, German, French and Japanese.

From the stand-by display select **Menu » Vertu Services » Vertu Select**.

Vertu Fortress

Vertu Fortress enables you to wirelessly transmit important information from your Vertu phone to a high security data storage facility. You can back up all your contact information and calendar details in this way.

When you have synchronised your data with the secure server, you can update it from our website and, if necessary, transfer it to another phone you have registered.

Vertu.Me should be used for synchronising your contacts and calendar items instead of Vertu Fortress. However Vertu Fortress is currently supported for existing Fortress users.

Vertu Concierge

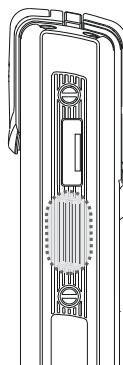
Vertu Concierge is an exclusive service for people who believe that quality matters. Our aim is to bring you only the very best, whether it be music, art, travel or food.

Vertu Concierge provides you with a highly personalised range of services including:

- > *Lifestyle services such as restaurant recommendations and reservations, travel assistance, and tickets for theatre shows, concerts or sporting events.*
- > *Solving everyday practical problems such as finding a reputable plumber or tracking down a gift.*
- > *Assistance with using your Vertu phone.*

When you connect to Vertu Concierge, you can speak directly to a team of Lifestyle Managers who are available 24 hours a day, 7 days a week to offer personalised assistance.

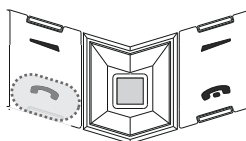
Calling Vertu Concierge



The **CONCIERGE** key is located on the right side of your Vertu phone as shown in this illustration.



Press the **CONCIERGE** key to display the Concierge screen.



Press **Call** or the **SEND** key to call Vertu Concierge.

VERTU

Alternatively you can press **Menu » Vertu Services » Vertu Concierge**.

If you are unable to reach Vertu Concierge using the **CONCIERGE** key, call +448707375535.



You must have network coverage to call Vertu Concierge.

City Brief



Vertu City Brief is a series of indispensable, independent, uniquely sourced and highly curated guides to 200 key cities around the world, in 8 languages, delivered directly to Signature 2011, Constellation Ayxta, Ascent and Constellation Quest handsets.

Updated regularly, the relevant brief appears on your phone automatically when you arrive in that destination.

Vertu City Brief is available in English, Russian, Mandarin, Simplified Chinese, Arabic, Italian, German, French and Japanese.

With the home page set up using the Services option, City Brief is accessed via the left **NAVIGATION** key, Or from the stand-by display select **Menu » Vertu Services » Vertu City Brief**.



Travel

The travel application WorldMate® provides access to the following information:

- > *Global weather conditions, forecasts and updates for over 250 cities worldwide.*
- > *Currency conversion with online access to exchange rates for more than 160 currencies worldwide.*
- > *Real-time flight information including delays, gate and terminal information for over 75 of the world's leading airlines.*

In order to download the latest flight, currency and weather information, you must be subscribed to the Travel application service.

Navigating the screens

Use the **NAVIGATION** key and the **CENTRE SELECT** key to move between screens and also move between fields on a screen.

Updating flight, weather and currency information

Press the **Options SELECTION** key to display a menu.

Select the **Update ...** option to open a GPRS connection and download latest information to your Vertu phone.

Changing settings

Press the **Options SELECTION** key to update settings, change city, and change settings.

Settings include time format, date format, temperature scale and the space character (decimal point).

Weather

This screen displays five-day weather forecasts. If the weather information is no longer current and you want to update it, press the **Options SELECTION** key and select **Update weather**.

Currency

This screen displays three different currencies and enables you to convert sums of money between them. Press the **Options SELECTION** key to select a new currency.

Currency rates fluctuate daily. To obtain current currency rates, press the **Options SELECTION** key and select **Update rates**.

Flight status

This screen enables you to search for the latest flight information for over 75 leading airlines. You can see current information on schedules, gates, terminals, delays and aircraft type.

Select an **Airline, Flight number** and **Date**, and then press **Get flight status**.

Queries you have previously made are stored for reuse in the **Recent Queries** list.

WorldMate® is provided by MobiMate®.

Set up manual roaming

If you travel to a region covered by a different network operator, and you are unable to download the latest Vertu Select and Travel information, you need to select a network operator that has a GPRS roaming agreement with your home network.

To do this select **Menu » Settings » Phone » Operator selection » Manual**.

Your Vertu phone will display all the locally available networks. For information on configuring the Vertu Select, Vertu Fortress and Travel applications, GPRS coverage and roaming agreements, please contact Vertu Concierge.



Not all network operators have GPRS roaming agreements with other network operators.

VERTU

12 ACCESSORIES

The following accessories are provided with your Vertu phone:

- > Wall charger
- > Battery
- > Data cable
- > Vehicle charger

For more information about accessories approved for use with your Vertu phone, please contact Vertu Concierge or refer to www.vertu.com.

- ⚠ **Keep all parts out of reach of small children.**
- ⚠ **Use only batteries, chargers and accessories approved by Vertu for use with this particular phone model. The use of any other types may invalidate any approval or warranty applying to the phone and may be dangerous.**

Wall charger

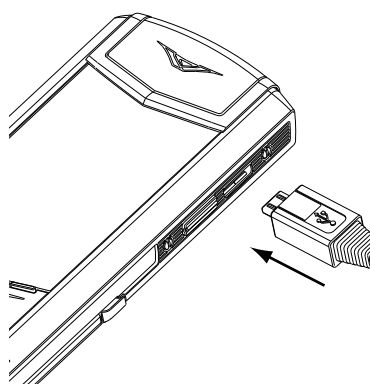
The wall charger supplied with your Vertu phone should be appropriate for your region. However, you should always check that the electrical rating of the AC outlet is appropriate for the charger before you attempt to plug it in.

- ⚠ **Never attempt to use a damaged charger. Contact Vertu Concierge to obtain a replacement.**

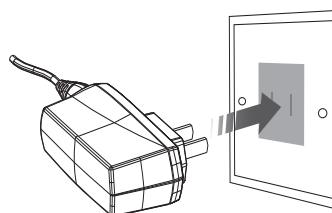
Charging the battery

The battery for your Vertu phone is rechargeable and requires charging at regular intervals.

- ⚠ **Only use the approved charger and battery designed specifically for your Vertu phone.**



Insert the micro USB charger connector into your Vertu phone as shown. Please ensure that the connector is inserted correctly, with the connector symbol uppermost.



Connect the charger body to a powered AC outlet.

After a few seconds, the battery indicator animates and a confirmation message is displayed if your Vertu phone is switched on.

- 👉 *If the battery has not been used for some time, you may need to recondition it by charging it. Although the charging indicator appears on the display after a few seconds, it may take from several minutes to an hour before you can make a call.*

The charging time will vary with different power sources and we recommend the Vertu wall charger should always be used.

Always charge the battery until it is fully charged. When the battery is fully charged, the battery charge indicator stops animating and, if your Vertu phone is switched on, a **Phone is fully charged, please unplug the charger** confirmation message is briefly displayed.

If your Vertu phone is not charging, try the following:

- > Disconnect the charger from the AC outlet.
- > Check that the electrical rating of the AC outlet is compatible with your charger.
- > Verify that the AC outlet has power and that it is switched on. For example, in many hotel rooms, AC outlets are used for lighting and may be switched on and off from remote locations in the room.
- > Wait for at least 10 seconds and then reconnect the charger to the AC outlet.
- > Use another nearby AC outlet that you know is providing power.
- > If charging still fails, contact Vertu Concierge for further advice.

VERTU

Battery



Never dispose of batteries in a fire.

Always dispose of batteries according to local regulations. Please recycle when possible. Do not dispose of batteries as household waste.

Your device is powered by a rechargeable battery. The battery intended for use with this device is BL-5CV. This device is intended for use when supplied with power from the following chargers: AC-7XV. The exact charger model number may vary depending on the type of plug. The plug variant is identified by one of the following: E, EB, X, AR, U, A, C, or UB.

The battery can be charged and discharged hundreds of times, but it will eventually wear out. When the talk and standby times are noticeably shorter than normal, replace the battery. Use only Vertu approved batteries, and recharge your battery only with Vertu approved chargers designated for this device. Use of an unapproved battery or charger may present a risk of fire, explosion, leakage, or other hazard.

Do not dismantle, cut, open, crush, bend, deform, puncture, or shred cells or batteries. In the event of a battery leak, do not allow the liquid to come in contact with the skin or eyes. In the event of such a leak, flush your skin or eyes immediately with water, or seek medical help.

Do not modify, remanufacture, attempt to insert foreign objects into the battery, or immerse or expose it to water or other liquids.

Improper battery use may result in a fire, explosion, or other hazard. If the device or battery is dropped, especially on a hard surface, and you believe the battery has been damaged, take it to a service centre for inspection before continuing to use it.

Use the battery only for its intended purpose. Never use any charger or battery that is damaged. Keep your battery out of the reach of small children.



Important: Battery talk and standby times are estimates only and depend on signal strength, network conditions, features used, battery age and condition, temperatures to which battery is exposed, use in digital mode, and many other factors. The amount of time a device is used for calls will affect its standby time. Likewise, the amount of time that the device is turned on and in the standby mode will affect its talk time.

The full performance of a new battery is achieved only after two or three complete charge and discharge cycles. The battery can be charged and discharged hundreds of times but it will eventually wear out. If you notice that the talk and stand-by times are much shorter than normal, you may need a new battery. Contact Vertu Concierge to obtain a Vertu approved battery.

Maximising battery performance

Certain functions in your Vertu phone can be switched off if not in use, to help maximise your battery performance, for example Bluetooth.

Charging and discharging

Unplug the charger from the AC outlet and your Vertu phone when not in use. Do not leave your Vertu phone connected to a charger. The battery does not have to be completely discharged before you can recharge it. Continuously charging the battery may shorten its lifetime. If left unused, a fully charged battery will lose its charge over time. Temperature extremes can affect the ability of your battery to charge.

Use chargers indoors.

Battery care and safety

Use the battery only for its intended purpose. Never use any charger or battery that is damaged.

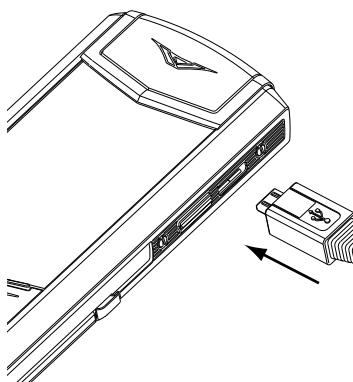
Do not short-circuit the battery. Accidental short-circuiting can occur when a metallic object such as a coin, clip, or pen causes direct connection of the positive (+) and negative (-) terminals of the battery (the metal strips on the battery). This might happen, for example, when you carry a spare battery in your pocket, purse or bag. Short-circuiting the terminals may damage the battery and the connecting object.

Leaving the battery in hot or cold places, such as in a closed car in summer or winter conditions, will reduce the capacity and lifetime of the battery. Always try to keep the battery between 15°C and 25°C (59°F and 77°F). If your battery is very hot or extremely cold, your Vertu phone may not work temporarily, even if the battery is fully charged. Battery performance is particularly limited in temperatures well below freezing.

VERTU

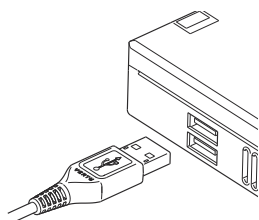
Data cable

The micro-USB data cable transfers data between your Vertu phone and a compatible computer, for example when you are using Vertu PC Suite, and between your Vertu phone and a compatible printer supporting PictBridge. Attaching the data cable to the phone connector.



Carefully insert the micro-USB end of the data cable into the phone connector. Please ensure that the connector is inserted correctly, with the connector symbol uppermost.

Attaching the data cable to the computer



Insert the USB end of the data cable into the computer's USB connector.

Vehicle charger

This section shows how to use the vehicle charger with your Vertu phone.

For more information about the availability of accessories approved for use with your Vertu phone, contact Vertu Concierge.



Keep all parts out of reach of small children.

Use only batteries, chargers and accessories approved by Vertu for use with this particular phone model. The use of any other types may invalidate any approval or warranty applying to the phone and may be dangerous.

When you disconnect an accessory cable from your Vertu phone, hold and pull the connector at the end of the cable, not the cable itself.

To optimise the performance and lifetime of your accessories, and protect your warranty coverage, observe the following handling and usage precautions:

- > *Keep dry. Precipitation, humidity and all types of liquids or moisture can contain minerals that will corrode electronic circuits*
- > *Do not use or store in dirty or dusty areas*
- > *Do not attempt to open*
- > *Do not drop, knock or shake. Rough handling can break fine mechanics*
- > *Do not store in hot areas. High temperatures can shorten the life of electronic devices and damage batteries*
- > *Do not store in cold areas*
- > *Do not use harsh chemicals, cleaning solvents or strong detergents to clean*
- > *Do not paint*

These suggestions apply equally to your device, battery, charger, or any enhancement. If any device is not working properly, take it to the nearest authorised service facility for service.

The vehicle charger recharges your Vertu phone battery quickly and safely from a standard 12 or 24 volt (DC) vehicle cigarette lighter outlet.



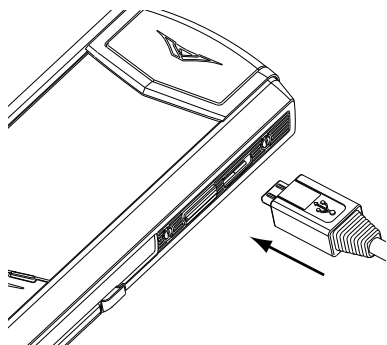
Only use the vehicle charger specifically designed for use with your Vertu phone.

Never attempt to use a vehicle charger if it has been damaged.

Only use the vehicle charger in a stationary vehicle.

VERTU

The time taken to charge your battery depends on its existing charge. You can use your phone normally during the charging process, although this will increase the time to charge.



Insert the micro USB charger connector into your Vertu phone as shown. Please ensure that the connector is inserted correctly, with the connector symbol uppermost.



Connect the charger to the powered cigarette lighter outlet.

The green indicator light will illuminate to show the charger is connected to the power outlet. A confirmation message is displayed if your Vertu phone is switched on.

Some cigarette lighter sockets are only powered when the vehicle ignition is switched on.

The vibrating alert is disabled while the charger is connected to your Vertu phone.

When the battery is fully charged, the battery charge indicator stops animating. Disconnect the car charger from the cigarette lighter outlet before you unplug it from your Vertu phone.

Desk Stand

The Vertu V Desk Stand is complimentary with all Signature precious handsets, otherwise it is available as an optional extra. The Desk Stand enables charging of the Signature phone, a spare battery and a Vertu Bluetooth headset.

If the USB cable from Desk Stand is connected to your PC, the "Select USB mode:" panel displays so you can connect to your PC while the phone is charging.

When the Desk Stand is connected to your Signature phone using the AC-31 charger, the Enhancements menu displays. Under **Charger** select a profile to use for when your phone is on the Desk Stand.

See **Menu » Settings » Enhancements » Charger** and select a profile.

13 APPENDIX

Safety, Warranty and Legal Information

Read the following simple guidelines. Not following them may be dangerous or illegal.

When using the features in this device, obey all laws and respect local customs, privacy and legitimate rights of others, including copyrights.

SAFETY TEXT

The sales package may contain several different Products and parts (hereafter known as the "Product(s)"), and the following simple guidelines are intended to cover all of them. Not following the guidelines may result in risks to personal safety or data, damage to the Product(s), or in non-compliance with legal requirements.

Medical Considerations

The operation of radio transmitting equipment, including wireless phones, may interfere with the function of inadequately protected medical devices. Consult a physician or the manufacturer of the medical device to determine whether they are adequately shielded from external RF energy.

Manufacturers of medical devices recommend a minimum separation of 15.3 centimetres (6 inches) between a wireless device and an implanted medical device, such as a pacemaker or implanted cardioverter defibrillator, to avoid potential interference with the medical device. Persons who have such devices should also:

- > *Not carry the phone in a breast pocket.*
- > *Hold the phone to the ear opposite the medical device.*
- > *Turn the phone off if there is any reason to suspect interference.*
- > *Follow the manufacturer's instructions for the implanted medical device.*

If you have any questions about using your wireless device with an implanted medical device, consult your health care provider.

Warning: Excessive sound pressure from earphones and headphones can cause hearing loss.

Listen to a headset at a moderate level, and do not hold the device near your ear when the loudspeaker is in use.

Warning: When you use the headset, your ability to hear outside sounds may be affected. Do not use the headset where it can endanger your safety.

Some wireless devices may interfere with some hearing aids. For full hearing aid compatibility, you should turn off the Bluetooth connectivity. Your phone complies with FCC (Federal Communications Commission) rules governing hearing aid compatibility. To use a telecoil-equipped hearing aid with this device, activate the hearing aid (T switch) and the device telecoil. The sound quality depends on the type of your hearing aid.

Switch off the phone in restricted or dangerous areas

Switch the phone off when mobile phone use is not allowed or when it may cause interference or danger, for example near medical equipment, fuel, chemicals, or blasting areas.

Emergency calls

Ensure the phone is switched on and in service. Press the END key as many times as needed to clear the display and return to the stand-by display. Enter the emergency number, then press the SEND key. Give your location. Do not end the call until given permission to do so.

Flight mode when travelling

Unless specifically requested to turn the phone off, you can select the Flight (offline) profile, which means that you cannot make or receive any calls, or use other features that require cellular network coverage. You can, however, still make emergency calls.

Use in vehicles

Radio signals may affect improperly installed or inadequately shielded electronic systems in motor vehicles such as electronic fuel injection, electronic anti-lock braking, electronic speed control, and air bag systems. For more information, check with the manufacturer of your vehicle or its equipment.

Only qualified personnel should install the phone in a vehicle. Faulty installation or service may be dangerous and may invalidate your warranty. Check regularly that all wireless device equipment in your vehicle is mounted and operating properly. Do not store or carry flammable liquids, gases, or explosive materials in the same compartment as the phone, its parts, or accessories. Remember that air bags inflate with great force, so do not place your phone or accessories in the air bag deployment area.

The Product(s) is not a toy

Keep your Product(s) and all parts and accessories out of the reach of small children and pets. Failure to do this may endanger them and invalidate your warranty.

Road safety comes first

Obey all local laws. Always keep your hands free to operate your vehicle while driving. Your first consideration while driving should be road safety.

Qualified service

Only qualified personnel may install or repair this Product(s).

Batteries, chargers and other accessories

Use only batteries, chargers and other accessories approved by Vertu. The phone is intended for use when supplied with power from a Vertu approved charger, a Vertu vehicle charger, or from a suitable computer. The use of any other types may invalidate your Warranty and could be dangerous.

When your charger is not in use, unplug it from the electrical plug and the phone. Do not leave a fully charged battery connected to a charger, as overcharging may shorten the battery's lifetime.

Do not connect other, incompatible devices to the chargers. Never use a charger that is damaged.

The battery can be charged and discharged hundreds of times, but it will eventually wear out. When you believe that the performance of the device has deteriorated (for example, when the talk and standby times on the phone are noticeably shorter than normal), take the device to the nearest authorised service facility.

If the phone battery has not been used for a long time, then, in order to begin charging it again, you may need to connect the charger, and then disconnect and reconnect it. If the battery is completely discharged, it may take several minutes before the charging indicator appears on the display or before any calls can be made.

Keep your device dry

Your Product(s) is not fully water-resistant, so keep it dry.

SIM card

Do not use a mini-UICC SIM card, also known as a micro-SIM card, a micro-SIM card with an adapter, or a SIM card that has a mini-UICC cutout. The use of an incompatible SIM card may damage the card or the phone, and may corrupt data stored on the card.

IMEI number and compliance label

To find the IMEI number, dial the sequence *#06# into the phone. The unique 15-digit IMEI code of your phone is instantly displayed. Write it down and keep it in a safe place so that you can find it if your phone is misplaced or stolen. You can also find the IMEI number by checking the compliance label found under the SIM card. To locate the label, remove the SIM drawer completely and then pull the label out of the SIM drawer recess.

AV connector

Do not connect products that create an output signal as this may cause damage to the phone. Do not connect any voltage source to the AV connector. If you connect an external device or headset, other than those approved by Vertu, pay special attention to volume levels.

WLAN

Use encryption to increase the security of your WLAN connection. Using encryption reduces the risk of others accessing your data.

Protect your phone from harmful content

Your phone may be exposed to viruses and other harmful content. Take the following precautions:

- > *Be cautious when opening messages. They may contain malicious software or otherwise be harmful to your phone or computer.*
- > *Be cautious when accepting connectivity requests, browsing the internet, or downloading content.*
- > *Do not accept Bluetooth connections from sources you do not trust.*
- > *Only install and use services and software from sources that you trust and that offer adequate security and protection.*
- > *If you access pre-installed bookmarks and links to third party internet sites, take the appropriate precautions. Vertu does not endorse or assume liability for such sites.*

Bluetooth hidden mode

Operating the phone when Bluetooth Visibility is set to hidden is a safer way to avoid malicious software. Alternatively, switch off the Bluetooth function completely (this does not affect other functions on the phone).

Magnetic fields

Keep your phone away from magnets or magnetic fields.

VERTU

Antennae

Avoid touching the antennae unnecessarily while they are transmitting or receiving. Contact with the antennae affects the communication quality and may cause a higher power level during operation and reduce battery life.

Backups

To keep your important data safe, store it in at least two separate places, such as on your phone and on your PC.

Digital Rights Management (DRM)

When using the phone, you are required to obey all laws and respect local customs, privacy and the legitimate rights of others, including copyrights. Copyright protection may prevent you from copying, modifying, or transferring images, music, and other content.

Additional care and maintenance

The sales package contains one or more sophisticated electronic Products. Vertu therefore strongly encourages you to familiarise yourself with the instructions provided with and for the Products.

- > To help protect your Warranty coverage, you should observe both the "SAFETY TEXT" and the following:
- > Always use your Product(s) in the documented manner.
- > Do not attempt to open or disassemble your Product(s) or remove the internal battery or memory card.
- > Keep the Product(s) free of dust and dirt.
- > Do not expose the Product(s) to extreme temperatures, as these may cause the battery to stop working temporarily. Performance is particularly limited in temperatures well below freezing.
- > Do not mishandle or abuse the Product(s).
- > Do not paint the Product(s).
- > Only use a soft, clean cloth to clean your Product(s). Do not use chemicals, detergents, abrasive substances, or any liquids.

Specific phone maintenance

Avoid scratching the screen. Never use an actual pen, pencil, or other sharp object, on it.

In order to protect the ceramics and sapphire, do not drop, knock, or rub your phone on or against hard surfaces. In particular, avoid contact with hard materials such as diamond jewellery, nail files, abrasives, and mineral crystals.

All leather can be damaged and should be treated with care. Therefore, in addition to the avoidance of extreme temperatures or water and high humidity, avoid contact with oily substances, make-up, and solvents.

Do not allow the metals on the phone to come into contact with sharp objects, metal polishes, and chemicals such as solvents, alkaline and acid solutions, cola-based drinks, and salt water. If contact occurs, wipe the surface with a clean, soft cloth as soon as possible.

Manufacturer's Limited Warranty

NOTE: This Limited Warranty does not affect your legal (statutory) rights under your applicable national laws relating to the sale of consumer products.

Vertu provides this Limited Warranty to you who have purchased the Vertu Product(s) included in the sales package. Vertu warrants to you that, during the warranty period, Vertu, or a Vertu-authorized service company, will, in a commercially reasonable time, remedy defects in materials, design and workmanship free of charge, by repairing, or, should Vertu in its discretion deem it necessary, replacing the Product(s) in accordance with this Limited Warranty (unless otherwise required by law).

Warranty periods

The Warranty starts at the time of the original purchase of the Product(s) by the first end user. However, the different Products and parts in the sales package are covered by different Warranty Periods:

- a) Twenty-four (24) months for the phone.
- b) Twelve (12) months for the removable battery and accessories (whether included in the phone sales package or sold separately), excepting the consumable parts and accessories listed in (c) and (d) below.
- c) Six (6) months for the following consumable parts and accessories: chargers, cables and covers.
- d) Ninety (90) days for the media on which any software is provided, e.g. CD-ROM, memory card.

As far as your national laws permit, the Warranty Period will not be extended or renewed or otherwise affected due to subsequent resale, Vertu-authorized repair, or replacement of the Product(s). However, any part(s) repaired or Product(s) replaced during the Warranty Period will be warranted from any defect on the intervention for the remainder of the original Warranty Period, or for twelve (12) months from the date of repair.

How to get warranty service

If you wish to make a claim under this Limited Warranty, please return the affected Product, or the affected part (if it is not an entire Product), to a Vertu-authorized service company. You can contact a Vertu call centre (national or premium rates may apply) for further details on how to make a claim. (Information about Vertu-authorized service companies and call centres can be found in the sales package, or on local Vertu web pages, where available.)

Any claim under this Limited Warranty is subject to you notifying Vertu or a Vertu-authorized service company of the alleged defect within a reasonable time of it having come to your attention, and in any event no later than the expiry date of the Warranty Period. When making a claim under this Limited Warranty, you will be required to provide: a) the affected Product (or the affected part); and b) the original proof of purchase, clearly indicating the name and address of the seller, the date and place of purchase, the Product type, and the IMEI or other serial number.

What is not covered?

Vertu does not provide a warranty for, or take any responsibility for, the functionality, content, or end-user support of third-party applications provided with your Product(s). By using an application, you acknowledge that the application is provided as is. Vertu does not make any representations, provide a warranty, or take any responsibility for, the functionality, content, or end-user support of third-party applications provided with your Product(s).

This Limited Warranty does not cover: a) normal wear and tear (including, without limitation, wear and tear of camera lenses, batteries or displays); b) defects caused by rough handling (including, without limitation, defects caused by sharp items, by bending, compressing or dropping, etc.); c) defects or damage caused by misuse of the Product(s), including use that is contrary to the instructions in this document, and in the user guide(s) for the Product(s); and/or d) other acts beyond the reasonable control of Vertu.

This Limited Warranty does not cover defects or alleged defects caused by the fact that the Product(s) was used with, or connected to, any device, accessory, software and/or service not manufactured, or supplied by Vertu, or was used other than for its intended purpose. Defects can be caused by viruses from your, or from a third party's, unauthorised access to services, other accounts, computer systems or networks. Such unauthorised access can take place through hacking, password mining or through a variety of other means.

This Limited Warranty does not cover defects caused by the fact that any battery for which you are making a claim has been short-circuited, or by the fact that the seals of the battery enclosure or the cells are broken or show evidence of tampering, or by the fact that the battery has been used in equipment other than that for which it has been specified.

This Limited Warranty is not enforceable if the Product(s) has been opened, modified or repaired by anyone other than an authorised service centre, if it is repaired using unauthorised spare parts, or if the serial number(s) of the Product(s), the mobile accessory date code, or the IMEI number, has been removed, erased, defaced, altered or are illegible in any way. This shall be determined by the sole discretion of Vertu.

This Limited Warranty is not enforceable if the Product(s) has been exposed to moisture, to dampness, to extreme thermal or environmental conditions or to rapid changes in such conditions, to corrosion, to oxidation, to spillage of food or liquid, or to influence from chemical products.

Other important Notices

The availability of products, features, applications, and services may vary by region. For more information, contact your nearest Vertu-branded store or Vertu-authorized service company.

All wireless devices may be susceptible to interference, which could affect performance.

A third party/independent operator provides the SIM card and cellular and/or other network or system on which the phone operates. Therefore, Vertu will not accept responsibility under this Limited Warranty for the operation, availability, coverage, services or range of the cellular or other network or system. Before Vertu or a Vertu-authorized service company can repair or replace the phone, the operator may need to unlock any SIM-lock or other lock that may have been added in order to tie the phone to a specific network or operator. In such situations, please first ask the network or operator to unlock your phone.

Reverse engineering of software in the Product(s) is prohibited to the extent permitted by applicable law. Insofar as this user guide contains any limitations on Vertu's representations, warranties, damages and liabilities, such limitations shall likewise limit any representations, warranties, damages and liabilities of Vertu's licensors.

Please remember to make backup copies or keep written records of all important content and data stored in your phone, because content and data may be lost during repair or replacement of the phone.

Vertu, in a manner consistent with the provisions of section "LIMITATION OF VERTU'S LIABILITY" below, shall not, under any circumstances, be liable, either expressly or by implication, for any damages or losses of any kind whatsoever resulting from loss of, damage to, or corruption of, content or data during repair or replacement of the phone.

All parts of the Product(s) or other equipment that Vertu has replaced shall become the property of Vertu. If the Product(s) is found not to be covered by the terms and conditions of this Limited Warranty, Vertu and its authorised service companies reserve the right to charge a handling fee. When repairing or replacing the Product(s), Vertu may use products or parts that are new, equivalent to new, or reconditioned.

The Product(s) may contain country-specific elements, including software. If the Product(s) has been re-exported from its original destination country to another country, the Product(s) may contain some country-specific elements that are not considered to be a defect under this Limited Warranty.

Limitation of Vertu's liability

This Limited Warranty is your sole and exclusive recourse against Vertu, and the only and exclusive liability of Vertu in respect of defects in your Product(s). This Limited Warranty replaces all other Vertu warranties and liabilities, whether oral, written, (non-mandatory) statutory, contractual, in tort or otherwise, including, without limitation, and where permitted by applicable law, any implied conditions, warranties or other terms as

VERTU

to satisfactory quality or fitness for purpose. However, this Limited Warranty shall neither exclude nor limit: i) any of your legal (statutory) rights under the applicable national laws; or ii) any of your rights against the seller of the Product(s).

To the maximum extent permitted by applicable law(s), under no circumstances shall Vertu or any of its licensors be responsible for any loss of data or income or any special, incidental, consequential or indirect damages howsoever caused.

To the extent permitted by applicable law(s), the liability of Vertu shall be limited to the purchase value of the Product(s).

The above limitations shall not apply in cases of gross negligence or intentional misconduct of Vertu, or in case of death or personal injury resulting from Vertu's proven negligence.

SAR Notice - RM-466V

YOUR VERTU PHONE (MODEL: Signature, TYPE: RM-466V, FCC ID: P7QRM-466V) MEETS GUIDELINES FOR EXPOSURE TO RADIO WAVES

Your Vertu phone is a radio transmitter and receiver. It is designed not to exceed the limits for exposure to radio waves recommended by international guidelines. These guidelines were developed by the independent scientific organization ICNIRP and include safety margins designed to assure the protection of all persons, regardless of age and health.

The exposure guidelines for mobile devices employ a unit of measurement known as the Specific Absorption Rate or SAR. The SAR limit stated in the ICNIRP guidelines is 2.0 watts/kilogram (W/kg) averaged over ten grams of tissue. Tests for SAR are conducted using standard operating positions with the device transmitting at its highest certified power level in all tested frequency bands.

The actual SAR level of an operating device can be below the maximum value because the device is designed to use only the power required to reach the network. That amount changes depending on a number of factors such as how close you are to a network base station. The highest SAR value under the ICNIRP guidelines for use of the device at the ear is 0.68 W/kg.

This phone meets RF exposure guidelines when used either in the normal use position against the ear or when positioned at least 2.2cm (7/8 inch) away from the body. When a carry case, belt clip or holder is used for body-worn operation, it should not contain metal and should position the phone the above-stated distance away from your body.

In order to transmit data files or messages, this device requires a good quality connection to the network. In some cases, transmission of data files or messages may be delayed until such a connection is available. Ensure the above separation distance instructions are followed until the transmission is completed.

Use of device accessories and enhancements may result in different SAR values. SAR values may vary depending on national reporting and testing requirements and the network band. Additional SAR information may be provided under product information at www.vertu.com.

USA and Canada

Your phone is also designed to meet the requirements for exposure to radio waves established by the Federal Communications Commission (USA) and Industry Canada. These requirements set a SAR limit of 1.6 W/kg averaged over one gram of tissue. The highest SAR value reported under this standard during product certification for use at the ear is 0.76 W/kg and when properly worn on the body is 0.54 W/kg.

Your phone may cause TV or radio interference (for example, when using the phone in close proximity to receiving equipment). The FCC or Industry Canada can require you to stop using your phone if such interference cannot be eliminated. If you require assistance, contact Vertu Concierge. The Product(s) complies with Part 15 of the FCC rules.



Operation is subject to the following two conditions: (1) the Product(s) may not cause harmful interference, and (2) the Product(s) must accept any interference received, including interference that may cause undesired operation. Any changes or modifications not expressly approved by Vertu could void the user's authority to operate this equipment.

This Class B digital apparatus complies with Canada ICES-003.

NTC (National Telecommunications Commission) Compliance

This Telecommunications Equipment conforms to technical standard NTC. STD 1015-2549, and to other NTC technical standards.

WLAN and Bluetooth Restrictions

There may be restrictions on the use of WLANs and Bluetooth technology in some countries. For example, in France, you are only allowed to use WLANs and Bluetooth technology indoors. For more information, contact your local authorities.

Passive Near Field Communication Device

Your phone contains a Passive Near Field Communication device. This device enables Vertu to verify the authenticity of the phone if it is presented at a Vertu-branded store or Vertu-authorized service company.

Declaration of Conformity

We, Vertu declare under our sole responsibility that the product, Model Signature, type RM-266V is in conformity with the provision of the following Council Directive: 1999/5/EC.



A copy of the Declaration of Conformity for the above can be found at <http://www.vertu.com>.

EU Recycling Notice

Vertu complies with European Community requirements for the recycling of Waste Electrical & Electronic Equipment (WEEE). Such compliance is indicated by the addition of the crossed-out wheeled-bin symbol to the Product(s) where appropriate. This symbol indicates that the Product(s) was put onto the market after the WEEE legislation was implemented, and that the consumer should not dispose of the Product(s) as normal household waste or unsorted municipal waste, but that it should be appropriately recycled.

Should you wish Vertu to recycle your Product(s) at the end of its life, please either return it to the point from which you purchased your Product(s) (if known), or return it to Vertu's headquarters. Alternatively, should you purchase a replacement Product(s) from another supplier, the new supplier is obligated to take back the Product(s) that is being replaced and recycle it appropriately.

Background information on the European WEEE directive is available from http://ec.europa.eu/environment/waste/weee/index_en.htm.

Export Controls

The Product(s) may contain commodities, technology or software subject to export laws and regulations from the US and other countries. Diversion contrary to law is prohibited.



Software application disclaimers for the mobile phone

The Vertu Select, Vertu City Brief, Accurate Time and Dual-Time zone features require a data connection to send up-to-date information to your Vertu phone. If the connection cannot be made, these features will be unavailable. You will need to contact your network service provider for information on the availability of data connectivity when in your home network and when roaming onto other networks.

Some applications, including those listed above, may connect to the internet automatically. To prevent this, select the appropriate connectivity settings on the phone.

Before installing updates on the phone, ensure that the phone can connect to the internet, and that the phone battery has enough power (or connect the charger before starting the update).

If you install a software update, you cannot use the phone, even to make emergency calls, until the installation has been completed and the device restarted.

Service or software upgrades may reset timers on the phone.

The existence of a certificate considerably reduces the risks involved in remote connections and software installation. To benefit from increased security, certificates must be used correctly, and they must be authentic or trusted. Certificates have a restricted lifetime. If they are expired or invalid, check that the current date and time in your device are correct. Before changing any certificate settings, you must trust the owner of the certificate and be sure that the certificate belongs to the listed owner.

Network support is required to indicate that a sent message has been received or read. This information may not always be reliable.

You cannot use the voice recorder during a data call or when a GPRS/3G connection is open.

Only compatible devices can receive and display multimedia messages.

Messages may look different in different devices.

If the item you inserted in a multimedia message is too large for the network, the phone may automatically reduce the size.

When entering contacts or editing voice commands, do not use very short or similar names for different contacts or commands.

Note: Using voice tags may be difficult in a noisy environment or during an emergency, so you should not rely solely upon voice dialling in all circumstances.

A cache is a memory location that is used to store data temporarily on the phone. If you have accessed, or have tried to access, confidential information or a secure service requiring passwords, clear the cache after each use.

DRM-protected content comes with an associated license that defines your rights to use the content. Some licenses may be connected to a specific SIM card, and the protected content can be accessed only if the SIM card is inserted in the phone.

Copyright and Trademarks

Copyright © Vertu 2008 and 2011. All rights reserved.

Vertu and the V logo are registered trademarks or trademarks. Other Product and company names mentioned herein may be trademarks or registered trademarks of their respective owners.

The reproduction, transfer, distribution or storage of part or all of the contents in this document in any form without the prior written permission of Vertu is prohibited.

VERTU

Vertu operates a policy of continuous development. Therefore, Vertu reserves the right to make changes and improvements to any of the products described in this document without prior notice.

The contents of this document are provided "as is". Except as required by applicable law, no warranties of any kind, either expressed or implied, including, but not limited to, the implied warranties of merchantability and fitness for a particular purpose, are made in relation to the accuracy, reliability or contents of this document. Vertu reserves the right to revise this document or withdraw it at any time without prior notice.

This product is licensed under the MPEG-4 Visual Patent Portfolio License (i) for personal and non-commercial use in connection with information that has been encoded in compliance with the MPEG-4 Visual Standard by a consumer engaged in a personal and non-commercial activity; and (ii) for use in connection with MPEG-4 video provided by a licensed video provider. No license is granted or shall be implied for any other use. Additional information, including that related to promotional, internal, and commercial uses, may be obtained from MPEG LA, LLC. See <http://www.mpegla.com>.

The availability of particular products, features, applications, and services may vary by region. For more information, contact Vertu Concierge.

Certificates and Licenses



The phone includes RSA BSAFE cryptographic or security protocol software from RSA Security.

The Bluetooth word mark and logos are owned by the Bluetooth SIG, Inc. and any use of such marks by Vertu is under license.



The phone uses Java™. Java and all Java-based marks are trademarks or registered trademarks of Sun Microsystems, Inc.

Environmental

RoHS statement

This product (Signature, RM-466V) and its accessories do not contain any of the following substances, in accordance with EU RoHS (Reduction of Hazardous Substances) Directive 2002/95/EC:

- > *Lead*
- > *Mercury*
- > *Cadmium*
- > *Hexavalent Chromium*
- > *Polybrominated Biphenyls (PBB)*
- > *Polybrominated Diphenyl Ethers (PBDE)*

Nickel

The surface of this device does not contain nickel in the platings. The surface of this device contains stainless steel.

Vertu does not provide a warranty for, or take any responsibility for, the functionality, content, or end-user support of third-party applications provided with your Product(s). By using such an application, you acknowledge that the application is provided as is. Vertu does not make any representations for, provide a warranty for, or take any responsibility for, the functionality, content or end user support of third-party applications provided with your Product(s).

Vertu
Keilalahdentie 2-4
FIN-02150 Espoo
Finland